

COUNTY OF ROCKLAND
Department of General Services
Purchasing Division

Contract Award Notification

Title: **Gas Detector Instruments & Supplies RKI Discount**

Contract Period: April 21, 2022 through April 20, 2023 w/ 4 one-year options
Ext through 4/20/24 w/3 one-year options
Ext through 4/30/25 w/2-1 year options

Original Date of Issue: April 21, 2022

Date of Revision: 03/19/24

BID No: **RFQ-RC-2022-029**

Catalog: **Wastewater**

Authorized Users: Authorized Department, All Political Subdivisions

Address Inquiries To:

Name: Raheela Akhter
Title: Assistant Buyer
Phone: 845-364-3813
Fax: 845-364-3809
E-mail: akhterr@co.rockland.ny.us

Description

The purpose of the contract is to furnish & deliver specified RKI gas detection equipment & accessories

Contract #	Vendor Number	Contractor & Address	Telephone No.
RFQ 22-029	0000027345	Bomark Instruments, Inc. 45 Carey Ave., Ste 102 Butler, NJ 07405 Contact: Erika McCroy erika@bomarkinstruments.com	973-838-2244 973-838-8633

See attached price list. The price list is over 300 pages long and is recommended not to print it out to save it to your computer.

County of Rockland CONTRACT

Dept. of General Services

Purchasing Division
50 Sanatorium Rd
Bldg A, 6th Fl, Room 609
POMONA NY 10970
www.rcpurchasing.com

Dispatch via Print

Contract ID RFQ 22-029	Page 1 of 1	
Contract Dates 04/21/2022 to 04/20/2025	Currency USD	
Contract Maximum 20,000.00		
Freight Terms RKI GAS DETECTOR INSTRUMENTS	Buyer Email curleya@co.rockland.ny.us	
Buyer CURLEY,ANNMARIE	Phone 845/364-3698	Fax 845/364-3809

Supplier 0000027345
Bomark Instruments Inc.
45 Carey Ave Ste 102
Butler NJ 07405

Phone 973/838-2244

Erika@bomarkinstruments.com

Tax Exempt? Tax Exempt ID:

Line #	Supplier Item	Item Desc	Item ID	Price	UOM
1		PERCENT DISCOUNT OFF PRICE LIST RKI GAS DETECTOR INSTRUMENTS AND PARTS OFF THERE IS A 17% DISCOUNT	34054000062	1.00000	Dollar

TERMS AND CONDITIONS OF RFQ-RC-2022-029 INCORPORATED HEREIN BY REFERENCE.

Authorized Signature



Effective Date: 2/5/24
Last Revision: 2/5/24

2024 PRICE LIST



Gas Detection For Life



Portable and Fixed Solutions

Detectable Gases

Measurable Gases	Symbol	TLV/TWA	Range	Diffusion Detector	Sample Draw	Portable Detector
Acetic Acid	CH ₃ COOH	1.5 PPM	30 PPM	–	GD-70D	–
Ammonia	NH ₃	25 PPM	75, 100, 200, 400, 1k PPM	GD-K88Ai / DC / S2 / M2A-XL / T3A*	GD-70D	GX-6000 / SC-04 / SP-220 / SC-8000
Ammonia	NH ₃	25 PPM	1, 4 PPM	–	FP-311 / FP-310	–
Arsine	AsH ₃	5 PPB	0.2, 1.5 PPM	DC / S2 / M2A-XL / GD-K88Ai	GD-70D	SP-220 / SC-8000
Benzene	C ₆ H ₆	0.5 PPM	various PPM	SD-1GH	GD-70D	GX-6000
Boron Trichloride	BCl ₃	HCl C 0.7 PPM	15 PPM	GD-K88Ai	GD-70D	–
Boron Trifluoride	BF ₃	HF 0.1 PPM	9 PPM	–	GD-70D	–
Bromine	Br ₂	0.1 PPM	1 PPM	GD-K88Ai	GD-70D	SC-8000
Butane	C ₄ H ₁₀	LEL = 1.9%	100% LEL	DC / S2 / M2A-XL / SD-1GP / PS2	35-3001 / GD-D58GH	GX-Force / GX-3R / GX-3R Pro / GP-03 / GX-6000 / GX-2012 / Gas Tracer / RX-8000
Carbon Dioxide PPM	CO ₂	5,000 PPM	2k, 5k, 10k PPM	RI-600 / DC / S2 / M2A-XL	35-3001	GX-3R Pro / GX-6000
Carbon Dioxide %Vol.	CO ₂	5,000 PPM	1.5, 5, 20, 50, 60, 100%	RI-600 / DC / S2 / M2A-XL / T3A*	35-3001	GX-3R Pro / GX-6000
Carbon Monoxide	CO	25 PPM	30, 75, 150 PPM	GD-K88Ai	GD-70D	SC-04 / SP-220 / SC-8000
Carbon Monoxide	CO	25 PPM	300, 500, 1,000 PPM	EC-600 / DC / S2 / M2A-XL / M-Series / T3A*	35-3001-CO	GX-Force / GX-3R / GX-3R Pro / CO-04 / GX-6000 / GX-2012 / Gas Tracer
Chlorine	Cl ₂	0.1 PPM	3, 5, 10, 20 PPM	GD-K88Ai / DC / S2 / M2A-XL / T3A*	GD-70D	GX-6000 / SC-04 / SC-8000
Chlorine Dioxide	ClO ₂	0.1 PPM	1, 3, 5 PPM	DC / M2A-XL / S2 / T3A*	–	–
Chlorine Trifluoride	ClF ₃	C 0.1 PPM	0.6 PPM	–	GD-70D	SC-8000
Combustibles LEL	LEL	–	100% LEL	DC / S2 / M2A-XL / T3A* / SD-1GP / PS2	35-3001 / GD-D58 / GD-70D	GX-Force / GX-3R / GX-3R Pro / GP-03 / GX-6000 / GX-2012 / Gas Tracer
Combustibles PPM	PPM	–	various PPM	SD-1GH	GD-70D / GD-D58GH	–
Diborane	B ₂ H ₆	0.1 PPM	0.3 PPM	GD-K88Ai	GD-70D	SP-220 / SC-8000
Dimethylamine	DMA	5 PPM	15 PPM	GD-K88Ai	GD-70D	–
Dichlorosilane	DCS	HCl C 2 PPM	15 PPM	GD-K88Ai	GD-70D	–
Disilane	Si ₂ H ₆	C 2 PPM	15 PPM	GD-K88Ai	GD-70D	–
Fluorine	F ₂	0.1 PPM	3 PPM	–	GD-70D	SC-8000
Formaldehyde	HCHO	C 0.3 PPM	1, 10, 500 PPM	T3A*	FP-330	FP-31 / SP-220
Germane	GeH ₄	0.2 PPM	0.2, 0.8 PPM	–	GD-70D	SP-220 / SC-8000
Halocarbons	HCFC	Various	0 - 5,000 (typ)	–	RI-257 / GD-70D	–
Hexane	C ₆ H ₁₄	–	2,000 PPM	SD-1GH	GD-70D / GD-D58GH	GX-6000
Hexane	C ₆ H ₁₄	LEL = 1.1%	100% LEL	S2 / SD-1GP / DC / M2A-XL / PS2 / GD-A80	35-3001 / GD-D58	GX-Force / GX-3R / GX-3R Pro / GP-03 / GX-6000 / GX-2012 / Gas Tracer
Hydrazine	N ₂ H ₄	0.1 PPM	4 PPM	–	FP-310 / GD-70D	GX-6000
Hydrocarbon LEL	HC	–	100% LEL	M2A-XL / S2 / SD-1GP / DC / PS2	35-3001-LEL / GD-D58 / GD-70D	GX-Force / GX-3R / GX-3R Pro / GP-03 / GX-6000 / RX-8000 / GX-2012 / Gas Tracer
Hydrocarbon PPM	HC	–	various PPM	SD-1GH	GD-70D / GD-D58GH	GX-6000
Hydrocarbon %Vol.	HC	–	5%, 2%, 30%	DC / S2 / M2A-XL / SD-1 / T3A* / H2 Specific / PS2	GD-70D	GX-2012 / GX-6000
Hydrogen LEL	H ₂	LEL = 4%	100% LEL	DC / S2 / M2A-XL / SD-1GP / H2 Specific / PS2 / GD-A80	GD-70D / GD-D58	GX-Force / GX-3R / GX-3R Pro / GP-03 / GX-6000 / GX-2012 / Gas Tracer
Hydrogen PPM	H ₂	–	4, 10, 2,000 PPM	H2 Specific / SD-1GH / S2 / T3A*	GD-70D / GD-D58GH	SP-220
Hydrogen Bromide	HBr	C 2 PPM	9, 10 PPM	–	GD-70D	SP-220 / SC-8000
Hydrogen Chloride	HCl	C 2 PPM	10, 15, 30 PPM	T3A*	GD-70D	SP-220 / SC-8000
Hydrogen Cyanide	HCN	STEL C 4.7 PPM	15, 30 PPM	DC / S2 / M2A-XL / GD-K88Ai / T3A*	GD-70D	GX-3R Pro / SC-04 / GX-6000 / SC-8000
Hydrogen Fluoride	HF	0.5 PPM	9, 10 PPM	T3A*	GD-70D	SC-8000
Hydrogen Iodide	HI	–	5 PPM	–	GD-70D	SC-8000
Hydrogen Peroxide	H ₂ O ₂	1 PPM	400 PPB	–	GD-70D	SC-8000
Hydrogen Peroxide	H ₂ O ₂	1 PPM	3 PPM	–	GD-70D	SC-8000
Hydrogen Selenide	H ₂ Se	0.05 PPM	.2 PPM	–	GD-70D	SC-8000
Hydrogen Sulfide	H ₂ S	0.1, 1 PPM	1, 30 PPM	GD-K88Ai-H ₂ S	GD-70D	SC-04 / SC-8000
Hydrogen Sulfide	H ₂ S	1 PPM	100, 2k PPM	DC / S2 / M2A-XL / M-Series / T3A*	35-3001-H ₂ S	GX-Force / GX-3R / GX-3R Pro / HS-04 / GX-6000 / GX-2012
Iodine	I ₂	STEL C 0.1 PPM	1 PPM	–	GD-70D	–
Isobutane	C ₄ H ₁₀	LEL = 1.8%	100% LEL	DC / S2 / M2A-XL / GD-A80 / PS2	35-3001 / GD-D58 / GD-70D	GX-Force / GX-3R / GX-3R Pro / GP-03 / GX-6000 / GX-2012 / Gas Tracer / RX-8000
Isopropyl Alcohol	IPA	400 PPM	10, 2k PPM	SD-1GH	GD-70D / GD-D58GH	GX-6000 / SP-220
Methane	CH ₄	LEL = 5%	100% LEL	DC / S2 / M2A-XL / SD-1GP / PS2 / GD-A80	GD-70D / GD-D58	GX-Force / GX-3R / GX-3R Pro / GP-03 / GX-6000 / GX-2012 / Gas Tracer / RX-8000
Nitric Acid	HNO ₃	2 PPM	20 PPM	–	GD-70D	–
Nitric Oxide	NO	25 PPM	100, 250 PPM	GD-K88Ai / T3A*	GD-70D	–
Nitrogen Dioxide	NO ₂	0.2 PPM	9, 15, 20 PPM	GD-K88Ai / T3A*	GD-70D	GX-3R Pro / EAGLE / GX-6000 / SC-8000 / SC-04
Nitrogen Tetraoxide	N ₂ O ₄	NO ₂ 0.2 PPM	15 PPM	–	GD-70D	–
Nitrogen Trifluoride	NF ₃	10 PPM	30 PPM	–	GD-70D	–
Octafluorocyclopentene	C ₅ F ₈	–	5 PPM	–	FP-300AGZS	–
Oxygen	O ₂	–	25%, 40%, 100%	OX-600 / DC / S2 / M2A-XL / T3A*	35-3001-OXY / GD-70D	GX-Force / GX-3R / GX-3R Pro / OX-04 / GX-6000 / GX-2012 / Gas Tracer / RX-8000
Ozone	O ₃	0.1 PPM	0.6, 5, 100 PPM	T3A*	GD-70D	SC-8000
Pentane	C ₅ H ₁₂	LEL = 1.5%	100% LEL	DC / S2 / M2A-XL / SD-1GP / PS2	35-3001 / GD-D58	GX-Force / GX-3R / GX-3R Pro / GP-03 / GX-6000 / GX-2012 / Gas Tracer
Perfluorobutadiene	C ₄ F ₆	–	5 PPM	–	FP-300AGZS	–
Phosphine	PH ₃	0.05 PPM	1, 2, 5 PPM	GD-K88Ai / DC / S2 / M2A-XL / T3A*	GD-70D	GX-3R Pro / SC-04 / SP-220 / SC-8000
Propane	C ₃ H ₈	LEL = 2.1%	10 PPM, 100% LEL	DC / S2 / M2A-XL / SD-1GP / PS2 / GD-A80	35-3001 / GD-D58 / GD-70D	GX-Force / GX-3R / GX-3R Pro / GP-03 / GX-6000 / GX-2012 / Gas Tracer / SP-220
Silane	SiH ₄	5 PPM	0.5, 15 PPM	GD-K88Ai	GD-70D	SP-220 / SC-8000
Silicon Tetrachloride	SiCl ₄	HCl C 2 PPM	15 PPM	GD-K88Ai	GD-70D	–
Silicon Tetrafluoride	SiF ₄	HF 0.5 PPM	9 PPM	–	GD-70D	–
Sulfur Dioxide	SO ₂	0.25 PPM	1, 6, 10, 20, 15, 30 PPM	DC / S2 / M2A / GD-K88Ai / T3A*	GD-70D	GX-3R Pro / GX-6000 / SC-04 / SP-220 / SC-8000
Sulfur Tetrafluoride	SF ₄	HF 0.5 PPM	9 PPM	–	GD-70D	–
Tetraethyl Orthosilicate	TEOS	10 PPM	15 PPM	–	GD-70D	–
Trichlorosilane	TCS	HCl C 2 PPM	15 PPM	–	GD-70D	–
Trimethoxy Phosphate	TMP	2 PPM	15 PPM	–	GD-70D	–
Trimethoxyboron	TMB	–	500 PPM	–	GD-70D	–
Toluene	C ₆ H ₅ CH ₃	20 PPM	various PPM	SD-1GH	GD-70D / GD-D58GH	GX-6000
Tungsten Hexafluoride	WF ₆	HF 0.5 PPM	9 PPM	–	GD-70D	–
1 1 1-Trichloroethane	C ₂ H ₃ Cl ₃	350 PPM	0 - 2,000 PPM	SD-1GH	GD-D58GH	–
Volatile Organic Compound	VOCs	–	50, 100, 1k, 2k, 6k PPM	SD-1GH / VOC Pro / Air Alert	GD-D58GH	GX-6000

Note: Other gases and ranges also available. Please call RKI Instruments at (800) 754-5165. DC = Direct Connect Sensors. T3A* = T2A / T3A / Air Alert / AirLink 6900 / AirLink T3A / AirLink Alert

Table of Contents

Premier Portable Instruments	1
GasWatch 3 Single Gas Personal Monitor	1
Replacement Sensors	1
GasWatch 3 Accessories & Replacement Parts	2
GasWatch 3 Calibration Kits	2
GP-03 Single Gas Combustible Monitor	3
GP-03 Instrument Price Includes	3
GP-03 Replacement Sensor	3
03 Series Calibration Kits	3
GP-03 Series Accessories & Replacement Parts	4
SDM-03 Calibration Station With AC Adaptor	5
SDM-03 Calibration Station Accessories	5
GP-03 Series Spare Parts Diagram	6
04 Series Single Gas Toxic Monitor	7
04 Series Replacement Sensors	7
04 Series Calibration Kits	8
04 Series Replacement Parts	8
04 Series Replacement Parts (continued)	9
04 Series Spare Parts Diagram	9
GX-3R Four Gas Confined Space Monitor	11
GX-3R Common Configurations	12
GX-3R Instrument Bundles (Instrument & Charger Included).....	12
GX-3R Calibration Kits	12
GX-3R Replacement Sensors	12
GX-3R Replacement Parts & Accessories.....	13
GX-3R Spare Parts Diagram	14
RP-3R Sample Drawing Pump For GX-3R.....	15
RP-3R Replacement Parts & Accessories	15
SDM-3R Calibration Station	16
GX-3R Pro Five Gas Personal Monitor	17
GX-3R Pro Common Configurations	18
GX-3R Pro Instrument Bundles (Instrument & Charger Included)	18
GX-3R Pro Replacement Sensors	18
GX-3R Pro Calibration Kits	19
GX-3R Pro Replacement Parts & Accessories	19
GX-3R Pro Spare Parts Diagram	21
SDM-3R Calibration Station	22
SDM-3R Calibration Gases & Equipment	22
RP-3R Sample Drawing Pump For GX-3R Pro	23
RP-3R Pro Replacement Parts & Accessories	23
Connected Worker Subscriptions	24
GX-2009 MSHA.....	25
GX-2009 MSHA With 115 VAC Standard Charger.....	25
GX-2009 MSHA With 12 VDC Charger & Vehicle Plug.....	25
GX-2009 MSHA Four Gas Personal Monitor (Charger Not Included)	25
GX-2009 MSHA Calibration Kits	26
GX-2009 MSHA Accessories & Replacement Parts	26
GX-Force Sample Draw Confined Space Monitor	29
GX-Force Common Configurations	30
GX-Force Instrument Bundles (Instrument Included)	30
GX-Force Replacement Sensors	30
GX-Force Calibration Kits	30
GX-Force Replacement Parts & Accessories	31
GX-Force Spare Parts Diagram	32

Table of Contents

Premier Portable Instruments

GX-2012 Five Sensor Sample Draw Confined Space Monitor	33
GX-2012 Replacement Sensors	34
GX-2012 Calibration Kits	34
SDM-2012 Calibration Station	35
GX-2012 Replacement Parts & Accessories	36
GX-2012 Spare Parts Diagram	38
GX-2012 Five Sensor Sample Draw Confined Space Monitor with CSA Approval	39
Gas Tracer Five Sensor Sample Draw Leak Checker & Confined Space Monitor	41
Gas Tracer Five Sensor Sample Draw Leak Checker & Confined Space Monitor with CSA	42
Replacement Sensors	43
Gas Tracer Calibration Kits	43
Gas Tracer Calibration Station	43
GX-6000 Six Sensor Sample Draw Gas Monitor Price Configurator	47
GX-6000 Instrument Price Includes	48
GX-6000 Common Configurations	48
GX-6000 Bundles	48
GX-6000 Replacement Sensors	49
GX-6000 Calibration Kits	50
GX-6000 PID Replacement Lamps and Electrode Stacks	50
GX-6000 Replacement Parts & Accessories	51
GX-6000 Spare Parts Diagram	53
SDM-6000 Calibration Station	54
SDM-6000 Replacement Parts & Accessories	54
SDM-6000 Calibration Gas and Hardware	55
SDM-6000 Calibration Gas and Hardware	56

Specialty Portable Instruments

57

GP-1000 Sample Draw Combustible with 25 Selectable Gases	57
NC-1000 PPM Scale Combustible Detector	57
SP-220 Combustible, Toxic, and Fumigant Leak Detector	58
FP-31 Formaldehyde Monitor	58
FI-8000 Optical Interferometer for Fumigants	59
SC-8000 Toxic Sample Draw Gas Monitor	59
GX-8000 Harsh Environment Sample Draw Gas Monitor	61
RX-8000 Series IR Combustible Monitor, 0 - 100% LEL / Volume	62
RX-8000 Series Dual Gas IR For LEL/Volume HC & Oxygen (RX-415 replacement)	62
RX-8500 LEL, % Vol CH4 IR / O2 / CO / CO2	63
RX-8700 LEL, % Vol HC IR / O2 / H2S Low & High Range	64

Discontinued Portables Replacement Parts

65

01 Series Single Gas Monitor	65
01 Series Replacement Sensors	65
03 SERIES Single Gas Monitor	66
Replacement Sensors	67
EAGLE	69
Standard 4 Gas Sensors	70
IR Sensors	70
EAGLE Toxic Gas Sensors	71
Calibration Equipment	71
EAGLE 2	73
EAGLE 2 Replacement Sensors	75
EAGLE 2 Calibration Kits	76
FP-30 /FP-40 Formaldehyde Monitor Parts	79

Table of Contents

Discontinued Portables Replacement Parts

GasWatch 2 Single Gas Monitor	79
GasWatch 2 Replacement Sensors	79
GP-226 Dual Range Combustible Detector	79
GX-2001 Four Gas Personal Monitor	80
GX-2001 Replacement Sensors	80
RP-6 Accessories & Replacement Parts	81
GX-2003 Five in One Sample Draw	82
GX-2003 Replacement Sensors	83
GX-2009 Four Gas Personal Monitor Replacement Parts	84
GX-2009 Replacement Sensors	85
GX-2009 Calibration Kits	86
GX-4000A Four Gas Detector (GX-111)	87
GX-82A & GX - 86A Multi-Gas Diffusion Monitor	87
GX - 94 Two, Three or Four Gas Diffusion	88
OX-1C Oxygen Sample Draw Detector	88
P-200 Series Hand Aspirated Single Gas (GP-204, NP-204, XP-204)	89
RI-415 & RX-415 Series IR Combustible Monitors, 0 - 100% LEL / Volume	90
RI-85 Hand Held Infrared CO2 Monitor Calibration Kits	90
RX-515, RX-516, & RX-517 Multi-Gas IR Monitors	91
SC-01 Accessories & Replacement Parts	92

Portable Replacement Sensors

95

GX-3R GX-3R Pro 04 Series GasWatch 3 GX-Force	95
GX-2009 GX-2012 Gas Tracer GX-6000 03 Series 01 Series GasWatch 2 GasWatch 3 (O2) GX-2001 GX-2003	95
GX-6000	95
EAGLE 2 Series	96
EAGLE Series.....	96
EAGLE Series.....	97
Diffusion EAGLE	97
GX-94 Series CO-94 / HS-94 / OX-94 GasWatch 1	97
GX-82 / GX-86 Series GX-82A / GX-86A Series	97
NP-85	97
P-200 Series: GP-204 / NP-204 / XP-204	97
82 Series: GP-82 / OX-82 / CO-82 / HS-82 / SO-82	97
91 Series: CO - 91 / HS-91 / OX-91 / SO-91	98
GX-91B	98
GP-85N GP-88 GX-85N	98
GP-226	98
GX-4000A GX-111	98
GX-8000	98
NC-1000	98
OX-1	98
OX-07	98
RI-415 RX-415	98
RX-8000	99
SC-01.....	99
SC-90.....	99
SC-8000	100
SP-205ASC	100
SP-220	100
SP-237H	100
GT / Innova	100

Table of Contents

Calibration Equipment	101
Cal Kit Cases	101
Regulators For 17 / 34 L Steel Cylinders	102
Regulators For 34L / 58L / 116L Aluminum & 103L Steel	103
Calibration Cylinders	104
Calibration Hardware	109
Portable Calibration Kits	111
01 Series	111
03 Series	112
EAGLE 1	113
EAGLE 2	121
Gas Tracer	123
GasWatch 2	124
GasWatch 3	124
GP-1000	124
GX-2001	125
GX-2003	125
GX-2009	127
GX-2012	129
GX-3R	130
GX-3R Pro	130
GX-6000	131
GX-8000	131
P-200 Series	132
SC-01.....	133
SC-8000	134
SP-220	135
Technical Services	137
Field Service Rates	137
Services For Portable Instruments	138
Services For EAGLE & EAGLE 2	138
Upgrades	139
EAGLE 1 Upgrades	139
EAGLE 2 Upgrades	139
Fixed Systems Controllers	141
Beacon 110 Single Channel Wall Mount Controller	141
Beacon 200 Two Channel Wall Mount Controller	142
Beacon 410A Four Channel Wall Mount Controller	143
Beacon 800 Eight Channel Wall Mount Controller	144
Beacon 3200 Thirty Two Channel Wall Mount Controller	145
MC-6400 Modbus 64 Channel, Wall Mount Controller	146
AC-7400 Analog Twelve Channel Wall Mount Controller	147
RM-5000 Series 2, 4, 6, 8, or 12 Multi-Channel Controller and Alarm	148

Table of Contents

Fixed Systems Sensors & Transmitters	150
Direct Connect Sensors no J-box	150
Explosion Proof Sensors, No J-Box, Class I, Division 1 Approved	150
Non-Explosion Proof Sensor, OK for Class I, Division 2, No J-box	150
Direct Connect Sensors with J-box	152
Explosion Proof: Class I, Division 1 Approved	152
Non Explosion Proof Sensors, OK for Class I, Division 2	152
CT-7 Series with J-box	152
ESM-01 Series with J-box	153
Direct Connect Sensors Remote Mount with Calibration Adapter / Splash Guard	153
Direct Connect Replacement Sensors For Explosion Proof	154
Direct Connect Replacement Sensors For Non Explosion Proof	154
Direct Connect Replacement CT-7 Toxic Sensors	155
Direct Connect Replacement ESM-01 Toxic Sensors	155
S2 Series Diffusion Sensor / Transmitter	156
S2 Remote Mount with Calibration Adapter / Splash Guard	158
Replacement Sensors For Explosion Proof S2 Series	159
Replacement Sensors For Non Explosion Proof S2 Series	159
Replacement CT-7 Toxic Sensors for S2 Series	159
Replacement ESM-01 Toxic Sensors for S2 Series	160
M2A-XL Series Stand Alone Transmitter	161
Remote Mount M2A-XL with Calibration Adaptor / Splash Guard: Class I, Division 1 Approved	161
Non Explosion Proof M2A-XL Assemblies with CT-7 Sensors: OK For Class I, Division 2	162
Non Explosion Proof M2A-XL Assemblies: OK For Class I, Division 2	162
Calibration Kits	163
Replacement Sensors For Explosion Proof M2A-XL Series	163
Replacement CT-7 Toxic Sensors for M2A-XL Series	164
Replacement ESM-01 Toxic Sensors For Non Explosion Proof M2A-XL Series	164
M2A-XL Replacement Parts & Accessories	165
M2A-XL Replacement Transmitters for Use with OLED Display	165
MPS™ LEL Variable Combustible Gas Sensor (Molecular Property Spectrometer)	166
T2A Series 2-Wire Transmitter	167
T2A Calibration Kits	168
T3A Series 3-Wire Transmitter without Relays	170
T3A Calibration Kits	171
VOC Pro PID Series Explosion Proof Transmitter without Relays, Class I, Div 1	173
VOC Pro Series PID Replacement Lamps and Electrode Stacks	174
VOC Pro Calibration Kits	174
Air Alert Stand-Alone Non Explosion Proof Transmitter	175
Air Alert Calibration Kits	176
Air Alert Stand-Alone Non Explosion Proof Transmitter with Relays	177
SD-1 GP / RI / GH / EC / OX, 4-20 mA	180
SD-1 GP / RI / GH / EC / OX - HART	181
SD-1 GP / RI / GH / EC / OX - HART & SIL 2	182
GD-70D Sample Drawing Sensor / Transmitter For Toxic Gases	185
GD-K88Ai Diffusion Sensor / Transmitter For Toxic Gases With Display	189

Table of Contents

AirLink Wireless Controllers & Transmitters	190
AirLink 7010 Hybrid Controller, 32 & 64 Channels	190
AirLink 7032 Hybrid Controller, 32 & 64 Channels with Touch Screen Display	191
AirLink 9850, 255 Channel Digital Interface	192
AirLink 9100 Portable Signal Strength Meter (Handheld Portable)	193
AirLink 9900 Signal Repeater, Explosion Proof	193
AirLink 9900 Signal Repeater, Non Explosion Proof	193
AirLink 5900 4-20 mA Analog to Wireless Converter	193
AirLink 5950 Switch-State Transmitter	193
AirLink 7530 Relay Module, Non Explosion Proof	194
AirLink 7530XP Relay Module, Explosion Proof	194
AirLink 6900 Wireless Transmitter, Dual Battery Powered, Explosion Proof	195
Replacement Parts and Accessories for AirLink 6900	196
AirLink T3A Wireless Transmitter, Wire Powered, Explosion Proof, No Relays	197
Replacement Parts and Accessories for AirLink T3A	197
AirLink VOC Pro PID Wireless Transmitter, Wire Powered, Explosion Proof, No Relays	198
Replacement Parts and Accessories for AirLink VOC Pro	198
AirLink VOC Pro Series PID Replacement Lamps and Electrode Stacks	199
AirLink 6940XP Quad Transmitter, Explosion Proof	200
AirLink 6940NXP Quad Transmitter, Non Explosion Proof	202
Replacement Parts and Accessories for AirLink 6940 NXP	203
AirLink Alert Wireless Transmitter, Battery Powered, Non Explosion Proof	204
Replacement Parts and Accessories for AirLink Alert	205

Fixed Indoor Stand Alone Monitors	206
OX-600 Indoor Stand Alone Oxygen Monitor Alkaline	206
OX-600 Indoor Stand Alone Oxygen Monitor 24 VDC	206
OX-600 Indoor Stand Alone Oxygen Monitor 115 VAC *	206
Replacement Parts & Accessories	206
Calibration Kits	206
EC-600 Indoor Stand Alone Carbon Monoxide Monitor Alkaline	207
EC-600 Indoor Stand Alone Carbon Monoxide Monitor 24 VDC	207
EC-600 Indoor Stand Alone Carbon Monoxide Monitor 115 VAC *	207
Replacement Parts & Accessories	207
Calibration Kits	207
RI-600 Indoor Stand Alone Carbon Dioxide Monitor - 24 VDC	208
RI-600 Indoor Stand Alone Carbon Dioxide Monitor - 115 VAC	208
Calibration Kits	208
Replacement Parts & Accessories	208

Table of Contents

Fixed Systems Specialty Products	209
M - Series Low Cost Transmitter	209
PS 2 Combustible Single Point Stand Alone Monitor	209
RI-257 FC, HCFC, HFC & IPA Infrared Monitor	209
35-3001 Series Sample Draw Detector Assemblies (NEMA 4X Housing)	210
35-3001 Series Replacement Sensors	212
35-3001 / 35-3010 Series Replacement Parts	212
Explosion Proof Multi Point Detector Assembly, Class I, Div. 1 Approved	213
Wet Well Package	213
Rig Monitor H2S and/or LEL Systems	214
Single / Dual Point Air Aspirator Panel	215
Sample Adapters for Fixed Systems	216
Model 1017 Explosion Proof Sample Draw Direct Connect Sensor	217
Digester Gas Monitor	218
Digester Calibration Kits	218
Paper Tape Monitors	219
Fixed Systems Legacy Products	220
GD-K71D Replacement Sensors	220
GD-K71D Replacement Parts	220
GD-K8A Replacement Sensors	221
GD-K8A Replacement Parts	221
S- Series Diffusion Sensor / Transmitter	222
OX-500 & EC-500 Replacement Sensors	224
35-3000 Series Replacement Sensors	224
Fixed Systems Accessories	225
Lights, Strobes, and Horns - Non Hazardous Locations	225
Lights/Strobes and Horns - Hazardous Locations (Class I, Div 2)	226
Lights/Strobes and Horns - Hazardous Locations (Class I, Div 1)	226
Stacked Lights and Horn	227
E-mail / Text Generator	227
E-Stop	227
Fixed Systems Telemetry Subscriptions	228
Fixed Systems Replacement Parts and Accessories	229
Fixed Systems Calibration Kits	231
Kits for M2A, S2, and Direct Connect	231
Kits for M2A, S2, and Direct Connect (Toxic ESM-01 sensors)	232
Kits for M2A, S2, and Direct Connect (CT-7 sensors)	233
Kits for M2A, S2, and Direct Connect (IR XP sensors)	233
Kits for GD-A80 / GD-A80V	234
Kits For GD-K88Ai	234
Kits for PS 2	235
Kits for M Series	235
Sample Draw Kits	236
Kit for EC-600 , OX-600, & RI-600	236
Kit for OX-500	236
Kits for T2A / T3A / AirLink 6900 / AirLink T3A	236
Kits for VOC Pro	237
Kits for Air Alert / AirLink Alert.....	237
Kits For RI-215A	237
Kits for SD-1	238
Kits For Sample Draw Heads	239
Numerical Index	242

Table of Contents

Terms & Conditions

Prices

Prices are subject to change without notice. All prices are in US Dollars.

Payment Terms

Our payment terms are Net 30 Days Date of Invoice (Net 30 DOI) with credit approval. Customers with overdue accounts are subject to credit hold and might be required to prepay future shipments. Service fees will apply to all credit card payments – 2.5% for domestic shipments, 3.0% for international shipments.

Minimum Billing/Handling Charges

\$30.00 net minimum billing (excluding shipping charges) applies to any order. A handling charge will be added to any order under our minimum billing to equal \$30.00.

Freight Terms

All orders for domestic or international delivery are shipped FOB shipping point, regardless of point of origin. This applies to orders shipped from RKI as well as orders drop-shipped from third parties.

Shipping Charges

Shipping is prepaid and added to the invoice at the shipper's current published rates, unless a collect account number is provided. Within North America, RKI ships via UPS ground unless otherwise specified. **Dangerous Goods Shipments** - Dangerous goods (calibration gas cylinders and kits) incur additional handling and shipping charges.

International Shipping Charges

Any customs fees and import taxes or duties that apply at country of destination are the responsibility of the consignee. RKI quotes only the shipping (transportation) cost.

Drop Shipments

RKI will drop ship to customers at no extra charge. RKI's default method of shipment is UPS Ground.

Next Day Delivery

Orders that require next day delivery must be received by 12:00 noon Pacific Time. Items ordered will ship if they are in stock. Customers must confirm next day orders by phone to assure next day delivery. Fixed system orders require a minimum of 24 hours for set up and calibration.

Order Acknowledgement

RKI confirms all orders by e-mail. Discrepancies must be challenged by the customer before the scheduled ship date; otherwise, RKI accepts no responsibility for incorrect orders.

Shortages/Errors

Claims for shortage, shipping errors, or damage must be made within 7 days after receipt of shipment.

Returns and Credits

Returns for credit must be pre-approved and accompanied by an RKI Material Return Form and include original packaging in good condition without any markings. Contact RKI with the reason for the return to obtain a Material Return Form and RMA number. RMA numbers are valid for 30 days only; after 30 days, a new return authorization must be requested. Returns not accompanied by a complete Material Return Form (with valid RMA number) will be returned to the sender. A restocking fee of \$75.00 or 10% of the invoice value (whichever is greater) will apply to all returns for credit. Shipping charges are not credited. No returns of sensors, or instruments with sensors, will be accepted after 30 days. No returns of dangerous goods (cylinders) or perishable items (tablets or tapes) will be accepted.

Returns for Repair

All items returned for repair must be accompanied by a completed Service Order Form with each instrument. The form must include a description of the problem. Service Order Form: <https://www.rkiinstruments.com/download/forms/service-and-repair>

Satisfaction Guarantee

We guarantee that our equipment will perform to our specifications. If the customer is not satisfied, the equipment may be returned to RKI within 15 days of original shipment for full credit less shipping charges, if accompanied by a completed Material Return Form (and valid RMA number) and in new condition.

Calibration Certificates Calibration certificates are available upon request at \$10 per instrument.



Product Warranty

RKI Instruments, Inc. warrants gas alarm equipment sold by RKI to be free from defects in materials, workmanship, and performance for a period of one year* from the date of shipment from RKI Instruments, Inc. (some products have 2 year or 3 year warranty, as listed below). Any parts found defective within that period will be repaired or replaced, at our option, free of charge. Parts must be returned to RKI Instruments, Inc. for repair or replacement. This warranty does not apply to those items which by their nature are subject to deterioration or consumption in normal service, or which must be cleaned, repaired or replaced on a routine basis.

Examples of such items are:

- a) Pump diaphragms and valves
- b) Fuses
- c) Batteries
- d) Filter elements
- e) Scrubbers

Warranty is voided by abuse including mechanical damage, alteration, rough handling, liquid exposure, corrosion from battery leakage or repair procedures not in accordance with instruction manual. This warranty indicates the full extent of our liability, and we are not responsible for removal or replacement costs, local repair costs, transportation costs, or contingent expenses incurred without our prior approval.

THIS WARRANTY IS EXPRESSLY IN LIEU OF ANY AND ALL OTHER WARRANTIES AND REPRESENTATIONS, EXPRESSED OR IMPLIED, AND ALL OTHER OBLIGATIONS OR LIABILITIES ON THE PART OF RKI INSTRUMENTS, INC. INCLUDING BUT NOT LIMITED TO, THE WARRANTY OF MERCHANTABILITY OR FITNESS FOR A PARTICULAR PURPOSE. IN NO EVENT SHALL RKI INSTRUMENTS, INC. BE LIABLE FOR INDIRECT, INCIDENTAL OR CONSEQUENTIAL LOSS OR DAMAGE OF ANY KIND CONNECTED WITH THE USE OF ITS PRODUCTS OR FAILURE OF ITS PRODUCTS TO FUNCTION OR OPERATE PROPERLY.

This warranty covers instruments and parts sold to users only by authorized distributors, dealers and representatives as appointed by RKI Instruments, Inc.

We do not assume indemnification for any accident or damage caused by the operation of this gas monitor and our warranty is limited to the replacement of parts or our complete goods. Warranty covers parts and labor performed at RKI Instruments, Inc. only, and does not cover field labor or shipment of parts back to RKI.

* Warranty is one year for all products and parts except as indicated below:

2 Year warranty:

The EAGLE 1, EAGLE 2, and GX-6000 instruments have a 2 year warranty with the exception of the PID sensor, which is warranted for one year (2 months for 11.7 eV lamps).

All of the above instruments also include a 2 year warranty on replacement sensors. Sensors damaged by poisoning, contamination, overexposure, or left off bias are not warranted.

3 Year warranty:

04 Series, GasWatch 3, GX-Force, GX-3R, and GX-3R Pro instruments have 3 year warranties, which cover the instrument and sensors with the exception of Cl₂ & NH₃ sensors having a 1 year warranty. Certain sensors for these models may have a shorter warranty. Refer to instrument specification for applicable sensor warranties.

Labor warranty:

Labor is warranted for 90 days from the completion of service.

Premier Portable Instruments

GasWatch 3 Single Gas Personal Monitor



Part#
72-0012
72-0012-01

Description
GasWatch 3, O2, Galvanic sensor, with alligator clip..... 195.00
GasWatch 3, O2, Galvanic sensor, with wrist band 195.00

Suggested Retail



73-0022
73-0022-01

GasWatch 3, H2S, with alligator clip 195.00
GasWatch 3, H2S, with wrist band 195.00



73-0023
73-0023-01

GasWatch 3, CO, Electrochemical sensor, with alligator clip 195.00
GasWatch 3, CO, Electrochemical sensor, with wrist band 195.00



73-0025
73-0025-01

GasWatch 3, CO with H2 compensated sensor, with alligator clip 495.00
GasWatch 3, CO with H2 compensated sensor, with wrist band 495.00



73-0026
73-0026-01

GasWatch 3, CO/O2 combination, with alligator clip 495.00
GasWatch 3, CO/O2 combination, with wrist band 495.00

Replacement Sensors

Part#	Description	Suggested Retail
OS-BM2	Sensor, Galvanic, Oxygen (O2) 0-25% Vol. for GX-2009/GX-2012/GasTracer/GX-6000/OX-03/GasWatch 3	120.00
ESR-A13i-H2S	Sensor, Hydrogen Sulfide (H2S) 0-200 ppm for GX-3R/GX-3R Pro/GasWatch 3	150.00
ESR-A13P-CO	Sensor, Carbon Monoxide (CO) 0-2000 ppm for GX-3R/GX-3R Pro/GasWatch 3	150.00
ESR-A1CP-CO-H	Sensor, Carbon Monoxide (CO) 0-2000 ppm with H2 compensation for GX-3R/GX-3R Pro/GasWatch 3/04 Series	240.00
ESR-X1DP-CX	Sensor Combo, EC, Carbon Monoxide (CO) 0-300 ppm/Oxygen (O2) 0-25% vol. for GasWatch 3 and 04 Series	240.00



O2
OS-BM2



H2S
ESR-A13i-H2S



CO
ESR-A13P-CO



CO (-H2)
ESR-A1CP-CO-H



CO/O2
ESR-X1DP-CX

Premier Portable Instruments

GasWatch 3 Accessories & Replacement Parts

Part#	Description	Suggested Retail
06-1248RK-03	Calibration kit tubing, polyurethane, 3/16" ID x 5/16" OD, 3 feet	4.50
07-0056	Sensor gasket, for GasWatch 3	2.00
10-1088	Screw, M2 x 6, for sensor retainer and battery retainer, for GasWatch 3	1.00
13-0105RK	Watchband replacement, for GasWatch 2/GasWatch 3	7.00
13-0126	Alligator clip for GasWatch 3	27.00
13-0204RK	Spring bar with outer tube for 03/04 Series and wrist band of GasWatch 2/GasWatch 3	1.40
21-1955	Sensor retainer, for GasWatch 3	2.80
21-1956	Battery retainer, for GasWatch 3	2.80
33-0175	Hydrophobic filter, PF020 for 04 Series / 03 series / RP-2009/GasWatch 3	1.80
33-7100	Charcoal filter disk for CO sensor, CF-6280 for Gaswatch 3 and 04 Series (pack of 5)	14.00
33-7136	Humidity filter disk for H2S or PH3 sensor (pack of 5) for GasWatch 3 / 04 Series	8.80
47-5084RK-01	Downloading cable, USB / IrDA adapter, Windows XP, Windows 7, Windows 8, Windows 10, and Windows 11 compatible	230.00
49-1404RK	Lithium battery, 3.0 volt, coin type, CR 2450	2.60
81-0000RK-51	Cylinder, H2, 200 ppm in air, 34L steel	55.00
81-0062RK-01	Cylinder, CO 50 ppm in N2, 34L steel	55.00
81-0062RK-03	Cylinder, CO 50 ppm in N2, 103L steel	150.00
81-0064RK-01	Cylinder, CO 50 ppm in air, 34L steel	55.00
81-0064RK-03	Cylinder, CO 50 ppm in air, 103L steel	150.00
81-0076RK-01	Cylinder, Zero air, 34L steel	55.00
81-0076RK-03	Cylinder, Zero air, 103L steel	150.00
81-0078RK-01	Cylinder, N2 100%, 34L steel	55.00
81-0078RK-03	Cylinder, N2 100%, 103L steel	150.00
81-0151RK-02	Cylinder, H2S 25 ppm in N2, 58AL	150.00
81-0151RK-04	Cylinder, H2S 25 ppm in N2, 34AL	130.00
81-1050RK-25	Regulator, with gauge & knob, 17/34L, 0.25 LPM	125.00
81-1051RK-25	Regulator, with gauge and knob, 34AL/58AL/103L steel, 0.25 LPM, C-10 fitting	125.00
81-1194	Calibration adapter for GasWatch 3	24.00

GasWatch 3 Calibration Kits

Instrument #	Cal-Kit Part #	Cal-Kit Description	Price
72-0012	81-GW3OX	Cal kit, GasWatch 3, N2 100%, 103L steel cyl, regulator, cal cup, case & tubing	365.00
72-0012-01	81-GW3OX-LV	Cal kit, GasWatch 3, N2 100%, 34L cyl, regulator, cal cup, case & tubing	325.00
73-0022	81-GW3HS	Cal kit, GasWatch 3, H2S 25 ppm / N2, 58AL cyl, regulator, cal cup, case & tubing	365.00
73-0022-01	81-GW3HS-LV	Cal kit, GasWatch 3, H2S 25 ppm / N2, 34AL cyl, regulator, cal cup, case & tubing	400.00
73-0023	81-GW3CO	Cal kit, GasWatch 3, CO 50 ppm / N2, 103L steel cyl, regulator, cal cup, case & tubing	365.00
72-0023-01	81-GW3CO	Cal kit, GasWatch 3, CO 50 ppm / N2, 103L steel cyl, regulator, cal cup, case & tubing	365.00
73-0026	81-GW3CO-LV	Cal kit, GasWatch 3, CO 50 ppm / N2, 34L cyl, regulator, cal cup, case & tubing	325.00
73-0026-01	81-GW3CO-LV	Cal kit, GasWatch 3, CO 50 ppm / N2, 34L cyl, regulator, cal cup, case & tubing	325.00
73-0025	81-GW3COH-LV	Cal kit, GasWatch 3, CO 50 ppm / N2, 34L, H2 200 ppm / air, 34L, regulator, cal cup, case & tubing	325.00
73-0025-01	81-GW3COH-LV	Cal kit, GasWatch 3, CO 50 ppm / N2, 34L, H2 200 ppm / air, 34L, regulator, cal cup, case & tubing	325.00

Premier Portable Instruments

GP-03 Single Gas Combustible Monitor



Part#	Description	Suggested Retail
72-0037	GP-03, 0-100 % LEL with alligator clip and alkaline batteries	320.00
72-0037-05	GP-03, 0-100 % LEL with alligator clip, alkaline batteries, and calibration cup	345.00
72-0037-50	Kit including a GP-03 with alkaline batteries, screwdriver, and small padded case	405.00
72-0037-56	Kit including a GP-03 with alkaline batteries, screwdriver, case, and calibration kit (34L cyl 50% LEL CH4/Air, regulator, cal cup & tubing)	660.00



72-0038	GP-03, 0-100 % LEL with alligator clip and Ni-MH batteries only with no charger	345.00
72-0038-01	GP-03, 0-100 % LEL with alligator clip and Ni-MH batteries with 100-240 VAC / 12 VDC bench charger for 4 batteries	375.00
72-0038-05	GP-03, 0-100 % LEL with alligator clip and Ni-MH batteries with 100-240 VAC / 12 VDC bench charger for 4 batteries and calibration cup	405.00
72-0038-50	Kit including a GP-03 with Ni-MH batteries and 100-240 VAC / 12 VDC bench charger for 4 batteries, screwdriver, and small padded case	475.00
72-0038-56	Kit including a GP-03 with Ni-MH batteries and 100-240 VAC / 12 VDC bench charger for 4 batteries, screwdriver, case, and calibration kit (34L cyl 50% LEL CH4/Air, regulator, cal cup & tubing)	730.00

GP-03 Instrument Price Includes

Part#	Description
13-0121	Alligator Clip for 03 series (requires 13-0204RK for installation)
20-0325	Rubber boot for 03 or 04 series
49-1110RK	Battery, alkaline, AAA

GP-03 Replacement Sensor

Part#	Description	Suggested Retail
NC-6264A	Sensor, Methane (CH4) 0-100% LEL for GX-2009/GX-2012/GX-6000/GP-03/Gas Tracer	120.00

03 Series Calibration Kits

Instrument #	Cal-Kit Part #	Cal-Kit Description	Price
72-0037 72-0038	81-GP03	Cal kit, GP-03, 103L steel cyl 50% LEL CH4/Air, regulator, cal cup, case & tubing	370.00
	81-GP03-LV	Cal kit, GP-03, 34L cyl 50% LEL CH4/Air, regulator, cal cup, case & tubing	330.00
	81-GP03-HLV	Cal kit, GP-03, 34L cyl 15% LEL Hexane/Air, regulator, cal cup, case & tubing	330.00
	81-GP03H2-LV	Cal kit, GP-03, 34L cyl 50% LEL Hydrogen/Air, regulator, cal cup, case & tubing	330.00
	81-GP03IB-LV	Cal kit, GP-03, 34L cyl 50% LEL Isobutane/Air, regulator, cal cup, case & tubing	330.00

Note: Models HS-03, OX-03 and CO-03 have been replaced by the 04 Series. See page 7.

Premier Portable Instruments

GP-03 Series Accessories & Replacement Parts

Part#	Description	Suggested Retail
06-1248RK	Tubing, polyurethane, 3/16" ID x 5/16" OD, per foot	2.00
07-6031	Gasket for battery compartment cover on 03 series	2.00
07-6032	Gasket between front and rear case of 03 series	2.40
07-6033	Sensor gasket for 03 or 04 series	2.00
07-6034	Rubber sheet around buzzer on main board of 03 series	1.40
10-1105-01	Screw, M 2 x 8 mm, pan head phillips, with washer, SUSXM7, for 03 series	4.00
13-0112RK	Wrist strap	4.00
13-0121	Alligator Clip for 03 series (requires 13-0204RK for installation)	25.00
13-0122	Belt Clip for 03 or 04 series	18.00
13-0204RK	Spring bar with outer tube for 03/04 Series and wrist band of GasWatch 2/GasWatch 3	1.40
13-1116	Screw for battery compartment cover of 03 series	4.00
15-0500	Battery contact short for 03 series	5.20
15-0501	Battery contact piece (-) for 03 series	2.60
15-0502	Battery contact piece (+) for 03 series	2.60
20-0110RK-01	Case for 1-3 cylinders, 17/34L/34AL, with foam	120.00
20-0115RK-01	Padded carrying case for one GX-3R, GX-3R Pro, GX-2009 or 03 series instrument and charger only	80.00
20-0325	Rubber boot for 03 or 04 series	14.00
21-1908	Battery compartment cover for 03 series	5.40
21-1909	Battery contact holder for 03 series	3.00
21-1910	Rear case for GP-03 and OX-03	16.00
21-1913	Front case assembly for 03 series	20.60
29-0651	Label, silver, RKK address for 03 series	0.50
29-0652	Label, front for GP-03	6.00
29-6100	Water immersion sensing seal, adhesive backed for 03 series, GX-6000, and SP-220	10.00
30-1055	Vibration motor for 03 series	20.00
33-0175	Hydrophobic filter, PF020 for 04 Series / 03 series / RP-2009/GasWatch 3	1.80
33-7106RK	Charcoal filter disk for CO sensor, strip of 5, for CO-03, GasWatch 2, GasWatch 3	12.00
33-7114RK	Filter disk, H2S scrubber, strip of 5, for LEL sensor port, GP-01/GX-2001/GX-2009/GX-2012/Gas Tracer/ GX-6000/GP-03	10.00
47-5084RK-01	Downloading cable, USB / IrDA adapter, Windows XP, Windows 7, Windows 8, Windows 10, and Windows 11 compatible	230.00
49-1110RK	Battery, alkaline, AAA	1.40
49-1312	Battery, Ni-MH, AAA, Eneloop by Panasonic	12.60
49-2058RK-04	AC adapter 4 port charger for SDM-2009, SDM-2012, and SDM-03	88.00
49-3105RK	Charger, Ni-MH, charges four AA or AAA size with A/C adapter and DC vehicle plug	45.00
49-3106RK	Charger, Ni-MH, charges twelve AA or AAA size with A/C adapter and DC vehicle plug	75.00
51-1130	LCD Module for 03 series	18.00
57-1282	Main PC board assembly, GP-03	160.00
81-0002RK-01	Cylinder, H2, 50% LEL in air, 34L steel	55.00
81-0002RK-03	Cylinder, H2, 50% LEL in air, 103L steel	150.00
81-0007RK-01	Cylinder, Hexane 15% LEL/air, 34L steel	55.00
81-0007RK-03	Cylinder, Hexane 10% LEL (0.11%) in air, 103L steel	150.00
81-0012RK-01	Cylinder, CH4 50% LEL in air, 34L steel	55.00
81-0012RK-03	Cylinder, CH4 50% LEL/air, 103L steel	150.00
81-0018RK-01	Cylinder, isobutane 50% LEL in air, 34L steel	55.00
81-0018RK-03	Cylinder, isobutane 50% LEL in air, 103L steel	150.00
81-1050RK	Regulator, with gauge & knob, 17/34L, 0.5 LPM, CGA 600 fitting	125.00
81-1051RK	Regulator, with gauge & knob, 34AL/58AL/103L steel, 0.5 LPM, C-10 fitting	125.00
81-1146	Calibration adapter for 03 and 04 series	30.00

Premier Portable Instruments

SDM-03 Calibration Station With AC Adaptor

Part#	Description	Suggested Retail
81-SDM03-01	Single point calibration station for 03 Series, model SDM-03 with AC Adaptor, flash drive, USB cable, & tubing	1,280.00
81-SDM03-02	Single point calibration station for 03 Series, model SDM-03 with AC Adaptor, flash drive, USB cable, tubing, & demand flow regulator	1,520.00
81-SDM03-03-GP	Single point calibration station for 03 Series, model SDM-03 with AC Adaptor, flash drive, USB cable, tubing, demand flow regulator & 103L steel cyl 50% LEL CH4/Air	1,735.00
81-SDM03-06-GP	Single point calibration station for 03 Series, model SDM-03 with AC Adaptor, flash drive, USB cable, tubing, demand flow regulator & 34L cyl 50% LEL CH4/Air	1,615.00

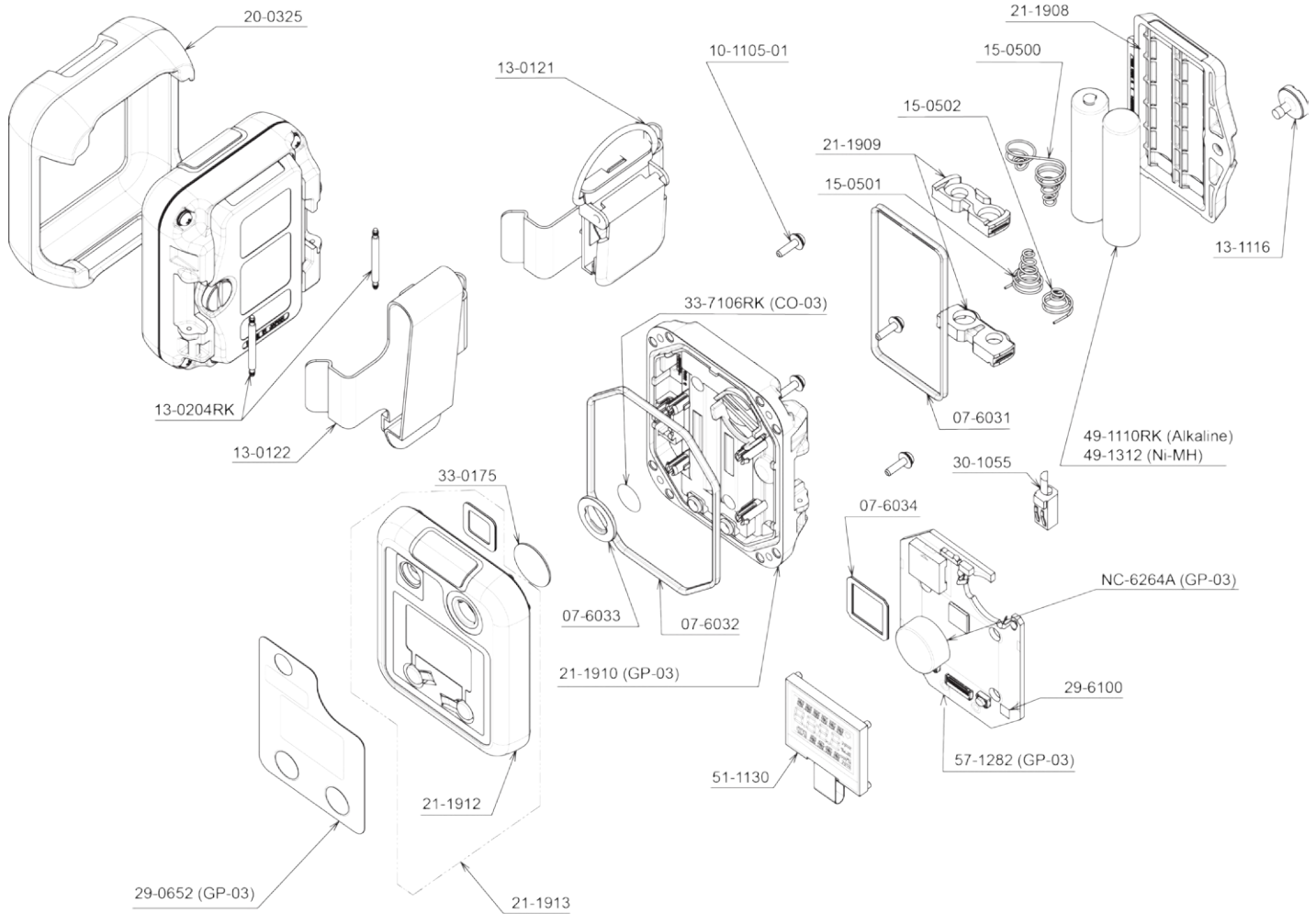


SDM-03 Calibration Station Accessories

Part#	Description	Suggested Retail
33-0167RK	Filter, particulate, CF-8369	25.00
49-2058RK-04	AC adapter 4 port charger for SDM-2009, SDM-2012, and SDM-03	88.00
81-0002RK-01	Cylinder, H2, 50% LEL in air, 34L steel	55.00
81-0002RK-03	Cylinder, H2, 50% LEL in air, 103L steel	150.00
81-0007RK-01	Cylinder, Hexane 15% LEL/air, 34L steel	55.00
81-0007RK-03	Cylinder, Hexane 10% LEL (0.11%) in air, 103L steel	150.00
81-0012RK-01	Cylinder, CH4 50% LEL in air, 34L steel	55.00
81-0012RK-03	Cylinder, CH4 50% LEL/air, 103L steel	150.00
81-0018RK-01	Cylinder, isobutane 50% LEL in air, 34L steel	55.00
81-0018RK-03	Cylinder, isobutane 50% LEL in air, 103L steel	150.00
81-0064RK-01	Cylinder, CO 50 ppm in air, 34L steel	55.00
81-0064RK-03	Cylinder, CO 50 ppm in air, 103L steel	150.00
81-0078RK-01	Cylinder, N2 100%, 34L steel	55.00
81-0078RK-03	Cylinder, N2 100%, 103L steel	150.00
81-0151RK-04	Cylinder, H2S 25 ppm in N2, 34AL	130.00
81-1054RK	Regulator, demand flow for 34AL/58AL/103L/116L cylinders	280.00
81-1055RK	Regulator, demand flow for 17L/34L steel steel cylinders	280.00
82-6002	PC Controller with ethernet networking kit for SDM-2009, SDM-2012, and SDM-03 calibrations stations, 11.5 inch screen 64 bit Windows 7 Professional pc with SDM PC Controller software installed and 6' ethernet cable	795.00
82-6050RK	USB Hub, 4 port 2.0 for SDM-03/SDM-2009/SDM-2012	30.00
82-6051RK	USB Hub, 7 port 2.0 for SDM-03/SDM-2009/SDM-2012	90.00
82-6105RK	USB flash drive, 1 GB, for calibration stations	25.00

Premier Portable Instruments

GP-03 Series Spare Parts Diagram



Part #	Description
NC-6264A	LEL sensor
07-6031	Gasket for battery lid
07-6032	Gasket between top case and bottom case
07-6033	Gasket for sensor
07-6034	Rubber sheet, Black,
10-1105-01	Cross-recessed pan head screw M2x8 SUSXM7
13-0112RK	Hand strap
13-0121	Alligator clip assembly with ring
13-0122	Belt clip
13-0204RK	Spring pin for clip

Part #	Description
13-1116	Screw for battery lid
15-0500	Battery contact short
15-0501	Battery contact piece (-)
15-0502	Battery contact piece (+)
20-0325	Rubber protection cover, Black
21-1908	Battery lid
21-1909	Battery contact piece holder
21-1910	Bottom case (GP-03/OX-03)
21-1911	Bottom case (CO-03/HS-03)
21-1912	Top case
21-1913	Top case assembly
29-0652	Panel sheet RKI version (GP-03)

Part #	Description
29-6100	Water immersion sensing seal
30-1055	Vibration motor
33-0175	Hydrophobic filter for sensor
33-7114RK	H2S scrubber filter for LEL sensor, strip of 5
33-7106RK	H2S scrubber filter for CO sensor, strip of 5
49-1110RK	Alkaline battery AAA (2 required)
49-1312	Ni-MH battery AAA (2 required)
51-1130	LCD module
57-1282	Main PCB assembly (GP-03)
81-1146	Calibration adapter

Premier Portable Instruments

04 Series Single Gas Toxic Monitor



72-0018
OX-04



73-0063
HS-04



73-0065
CO-04



73-0069
CX-04



73-0081
SC-04

Part#	Description	Suggested Retail
72-0018	OX-04, Oxygen (O2) 0-40%, alkaline batteries and alligator clip	195.00
73-0063	HS-04, Hydrogen Sulfide (H2S) 0-200 ppm, alkaline batteries and alligator clip.....	195.00
73-0065	CO-04, Carbon Monoxide (CO) 0-2000 ppm, alkaline batteries and alligator clip	195.00
73-0067	CO-04C, Carbon Monoxide (CO) 0-2,000 ppm with H2 compensation, alkaline batteries and alligator clip	495.00
73-0069	CX-04, Carbon Monoxide (CO) 0-2,000 ppm and Oxygen (O2) 0-25%, alkaline batteries with alligator clip	495.00
73-0077	SC-04, Ammonia (NH3), 0-400 ppm, alkaline batteries with alligator clip	495.00
73-0075	SC-04, Chlorine (Cl2), 0-20 ppm, alkaline batteries with alligator clip	495.00
73-0071	SC-04, Hydrogen Cyanide (HCN) 0-30 ppm, alkaline batteries with alligator clip	495.00
73-0073	SC-04, Nitrogen Dioxide (NO2) 0-20 ppm, alkaline batteries with alligator clip	495.00
73-0079	SC-04, Phosphine (PH3) 0-20.00 ppm, alkaline batteries with alligator clip	495.00
73-0081	SC-04, Sulfur Dioxide (SO2) 0-100 ppm, alkaline batteries with alligator clip	495.00

04 Series Replacement Sensors

Part#	Description	Suggested Retail
ESR-B134-NH3	Sensor, Ammonia (NH3) 0-400 ppm for GX-3R Pro / SC-04	240.00
ESR-A13P-CO	Sensor, Carbon Monoxide (CO) 0-2000 ppm for GX-3R/GX-3R Pro/ GasWatch 3	150.00
ESR-A1CP-CO-H	Sensor, Carbon Monoxide (CO) 0-2000 ppm with H2 compensation for GX-3R/GX-3R Pro/GasWatch 3/04 Series	240.00
ESR-X1DP-CX	Sensor Combo, EC, Carbon Monoxide (CO) 0-300 ppm/ Oxygen (O2) 0-25% vol. for GasWatch 3 and 04 Series	240.00
ESR-B136-CL2	Sensor, Chlorine (Cl2) 0-20 ppm for SC-04	240.00
ESR-A13D-HCN	Sensor, Hydrogen Cyanide (HCN) 0-30 ppm for GX-3R Pro / SC-04	240.00
ESR-A13i-H2S	Sensor, Hydrogen Sulfide (H2S) 0-200 ppm for GX-3R/GX-3R Pro/ GasWatch 3	150.00
ESR-A13D-NO2	Sensor, Nitrogen Dioxide (NO2) 0-20 ppm for GX-3R Pro / SC-04	240.00
ESR-X13P-OXY	Sensor, Oxygen (O2) 0-25% vol for GX-3R/GX-3R Pro	150.00
ESR-A13D-PH3	Sensor, Phosphine (PH3) 0-20.00 ppm for GX-3R Pro / SC-04	240.00
ESR-A13D-SO2	Sensor, Sulfur Dioxide (SO2) 0-100 ppm for GX-3R Pro/SC-04	240.00



H2S
ESR-A13D-SO2



CO/O2
ESR-X1DP-CX



CO
ESR-A13P-CO



CO (H2)
ESR-A1CP-CO-H



O2
ESR-X13P-OXY



HCN
ESR-A13D-HCN



Cl2
ESR-B136-CL2



PH3
ESR-A13D-PH3



NO2
ESR-A13D-NO2



NH3
ESR-B134-NH3



SO2
ESR-A13D-SO2

Premier Portable Instruments

04 Series Calibration Kits

Instrument #	Cal-Kit Part #	Cal-Kit Description	Price
73-0063	81-HS04-LV	Cal kit, HS-04, 34AL cyl H2S 25 ppm in N2, regulator, cal cup, case & tubing	495.00
73-0065	81-CO04-LV	Cal kit, CO-04, 34AL cyl CO 50 ppm in N2, regulator, cal cup, case & tubing	330.00
73-0067	81-CO04C-LV	Cal kit, CO-04C, 34L cyl CO 50 ppm in N2, 34L cyl H2 200 ppm in air, regulator, cal cup, case & tubing	385.00
73-0069	81-CX04-LV	Cal kit, CX-04, 34L cyl CO 50 ppm in N2, regulator, cal cup, case & tubing	310.00
73-0071	81-SC04HCN-LV	Cal kit, SC-04, 34AL cyl HCN 10 ppm in N2, regulator, cal cup, case & tubing	585.00
73-0073	81-SC04NO2-LV	Cal kit, SC-04, 34AL cyl NO2 10 ppm in N2, regulator, cal cup, case & tubing	565.00
73-0075	81-SC04CL2-LV	Cal kit, SC-04, 34AL cyl CL2 5 ppm in N2, regulator, cal cup, case & tubing	525.00
73-0077	81-SC04NH3-LV	Cal kit, SC-04, 34AL cyl NH3 25 ppm in N2, regulator, cal cup, case & tubing	585.00
73-0079	81-SC04PH3-LV	Cal kit, SC-04, 34AL cyl PH3 0.5 ppm in N2, regulator, cal cup, case & tubing	565.00
73-0081	81-SC04SO2-LV	Cal kit, SC-04, 34AL cyl SO2 5 ppm in N2, regulator, cal cup, case & tubing	415.00
72-0018	81-OX04-LV	Cal kit, OX-04, 34AL cyl N2 100%, regulator, cal cup, case & tubing	330.00

04 Series Replacement Parts

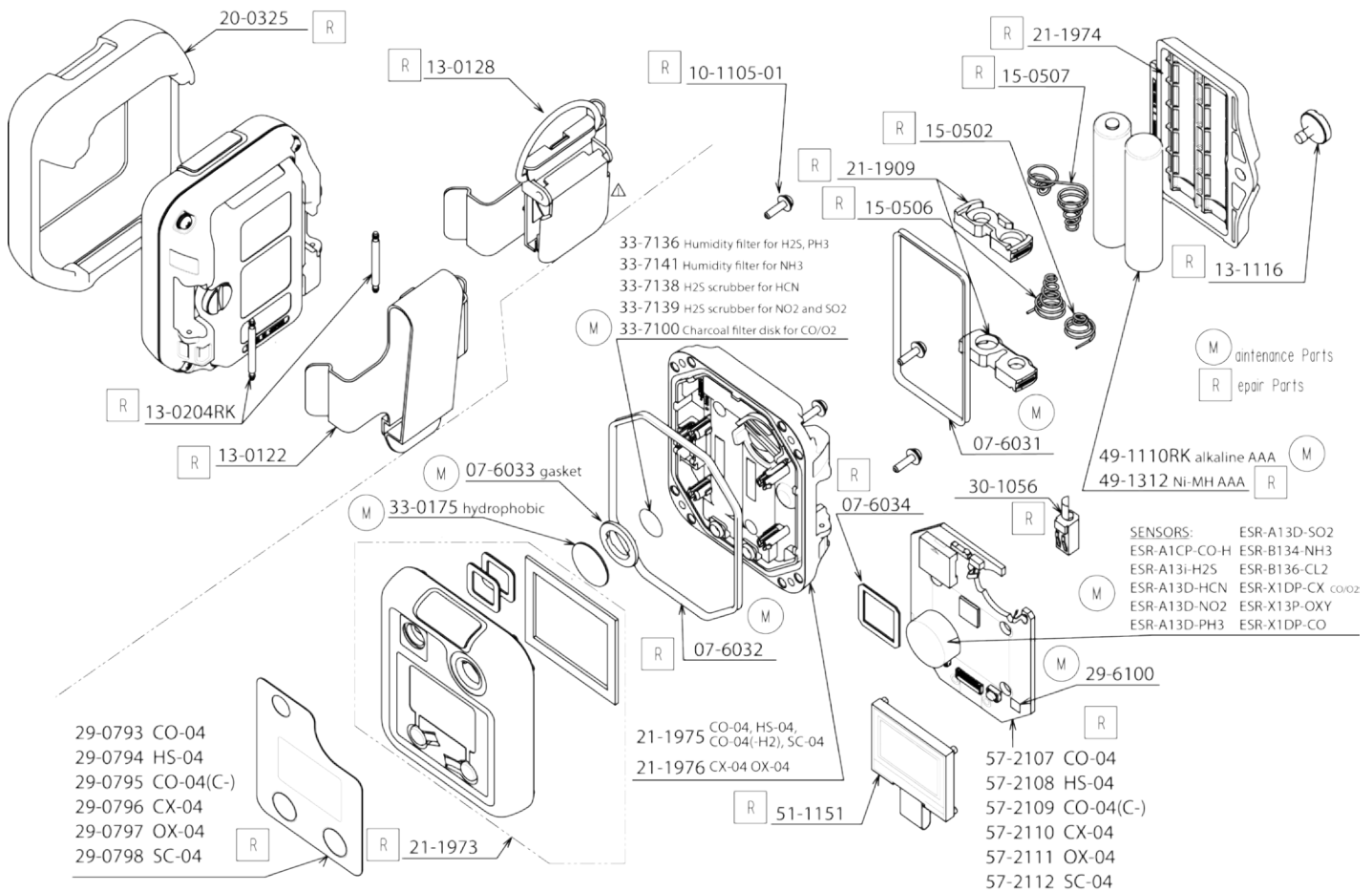
Part#	Description	Suggested Retail
07-6033	Sensor gasket for 03 or 04 series	2.00
10-1105-01	Screw, M 2 x 8 mm, pan head phillips, with washer, SUSXM7, for 03 series.....	4.00
13-0112RK	Wrist strap	4.00
13-0122	Belt Clip for 03 or 04 series.....	18.00
13-0128	Alligator clip assembly, 04 Series	36.00
13-0204RK	Spring bar with outer tube for 03/04 Series and wrist band of GasWatch 2/GasWatch 3	1.40
20-0325	Rubber boot for 03 or 04 series	14.00
33-0175	Hydrophobic filter, PF020 for 04 Series / 03 series / RP-2009/GasWatch 3	1.80
33-7100	Charcoal filter disk for CO sensor, CF-6280 for Gaswatch 3 and 04 Series (pack of 5)	14.00
33-7136	Humidity filter disk for H2S or PH3 sensor (pack of 5) for GasWatch 3 / 04 Series	8.80
33-7136-01	Humidity filter disk for H2S or PH3 sensor for GasWatch 3 / 04 Series.....	2.00
33-7138	H2S filter set (pack of 5) for HCN sensor, 04 Series	74.00
33-7138-01	H2S filter disk for HCN sensor, 04 Series	16.00
33-7139	H2S filter set (pack of 5) for SO2 or NO2 sensors, 04 Series	8.80
33-7139-01	H2S filter disk for SO2 or NO2 sensors, 04 Series	2.00
33-7141	Humidity filter disk, CF-B134-1,for NH3 sensor, 04 Series,pack of 5.....	13.00
33-7141-01	Humidity filter disk, CF-B134-1,for NH3 sensor, 04 Series.....	2.60
47-5084RK-01	Downloading cable, USB / IrDA adapter, Windows XP, Windows 7, Windows 8, Windows 10, and Windows 11 compatible	230.00
49-1110RK	Battery, alkaline, AAA	1.40
49-1312	Battery, Ni-MH, AAA, Eneloop by Panasonic	12.60
49-3105RK	Charger, Ni-MH, charges four AA or AAA size with A/C adapter and DC vehicle plug	45.00
81-0000RK-51	Cylinder, H2, 200 ppm in air, 34L steel	55.00
81-0064RK-01	Cylinder, CO 50 ppm in air, 34L steel	55.00
81-0064RK-03	Cylinder, CO 50 ppm in air, 103L steel	150.00
81-0078RK-01	Cylinder, N2 100%, 34L steel	55.00
81-0078RK-03	Cylinder, N2 100%, 103L steel	150.00
81-0151RK-02	Cylinder, H2S 25 ppm in N2, 58AL	150.00
81-0151RK-04	Cylinder, H2S 25 ppm in N2, 34AL	130.00
81-0170RK-02	Cylinder, SO2 5 ppm in N2, 58AL	160.00
81-0170RK-04	Cylinder, SO2 5 ppm in N2, 34AL	140.00
81-0176RK-02	Cylinder, NH3 25 ppm in N2, 58AL.....	300.00
81-0176RK-04	Cylinder, NH3 25 ppm in N2, 34AL.....	280.00
81-0180RK-02	Cylinder, NO2 10 ppm in air, 58AL	300.00
81-0180RK-04	Cylinder, NO2 10 ppm in air, 34AL	260.00

Premier Portable Instruments

04 Series Replacement Parts (continued)

Part#	Description	Suggested Retail
81-0185RK-02	Cylinder, PH3 0.5 ppm in N2, 58AL	300.00
81-0185RK-04	Cylinder, PH3 0.5 ppm in N2, 34AL	260.00
81-0190RK-02	Cylinder, Cl2 5 ppm in N2, 58AL	340.00
81-0190RK-04	Cylinder, Cl2 5 ppm in N2, 34AL	220.00
81-0196RK-02	Cylinder, HCN 10 ppm in N2, 58AL	300.00
81-0196RK-04	Cylinder, HCN 10 ppm in N2, 34AL	280.00
81-1050RK-25	Regulator, with gauge & knob, 17/34L, 0.25 LPM	125.00
81-1051RK-25	Regulator, with gauge and knob, 34AL/58AL/103L steel, 0.25 LPM, C-10 fitting	125.00
81-1146	Calibration adapter for 03 and 04 series	30.00

04 Series Spare Parts Diagram



Premier Portable Instruments

GX-3R Four Gas Confined Space Monitor

Base Instrument	4 Gas Sensors	Battery
72 - R	A	C
	Step 1	Step 2
	Sensors	Battery
	\$595	\$0
		\$595
Total List Price		



Above Example:

Part#	Description	Suggested Retail
72-RA-C	GX-3R for LEL / O2 / H2S / CO with Li-Ion battery pack and 100-240 VAC charger	\$595

Step 1

Standard 4 gas sensors

A	LEL / O2 / combo H2S / CO	595.00
B	LEL / O2 / H2S	595.00
C	LEL / O2 / CO	595.00
D	LEL / O2 / CO (H2 compensated CO sensor)	665.00
E	LEL / combo H2S / CO	570.00
F	O2 / combo H2S / CO	570.00
G	LEL / O2	545.00
H	LEL / H2S	570.00
I	LEL / CO	570.00
J	LEL / CO (H2 compensated CO sensor)	640.00
K	O2 / CO (H2 compensated CO sensor)	640.00
L	combo H2S / CO	545.00
M	LEL	520.00
N	O2	520.00
O	H2S	545.00
P	CO	545.00
Q	CO (H2 compensated CO sensor)	615.00
R	O2 / CO	570.00
S	O2 / H2S	570.00

Step 2

Battery options

C	Li-Ion battery pack with 100-240 VAC Charger	0.00
D	Li-Ion battery pack with 12 VDC charger and vehicle plug	0.00
E	Li-Ion battery pack only (No charger)	- 50.00
F	Li-Ion battery pack with 100-240 VAC and 12 VDC chargers	50.00
G	Li-Ion battery pack with 100-240 VAC charger with USB charger	160.00

Instrument Price Includes

13-0112RK	Wrist strap
20-0332	Rubber boot for GX-3R
81-1192	Calibration adapter for GX-3R

Premier Portable Instruments

GX-3R Common Configurations

Part#	Description	Suggested Retail
72-RA-C	GX-3R, 4 gas, LEL / O2 / combo H2S & CO with 100-240 VAC charger	595.00
72-RB-C	GX-3R, 3 gas, LEL / O2 / H2S with 100-240 VAC charger	595.00
72-RC-C	GX-3R, 3 gas, LEL / O2 / CO with 100-240 VAC charger	595.00
72-RG-C	GX-3R, 2 gas, LEL / O2 with 100-240 VAC charger	545.00
72-RI-C	GX-3R, 2 gas, LEL / CO with 100-240 VAC charger	570.00

GX-3R Instrument Bundles (Instrument & Charger Included)

100-240 VAC Versions

Part#	Description	Suggested Retail
72-RA-C-50	GX-3R for LEL/O2/CO/H2S bundled with 100-240 VAC charger, screwdriver and carrying case	680.00
72-RA-C-51	GX-3R for LEL/O2/CO/H2S bundled with hand aspirator, 100-240 VAC charger, screwdriver and carrying case	885.00
72-RA-C-56	GX-3R for LEL/O2/CO/H2S bundled with 100-240 VAC charger, 34AL cylinder CH4/O2/H2S/CO, 0.25 LPM regulator, tubing, screwdriver, and carrying case	1,080.00
72-RA-C-58	GX-3R for LEL/O2/CO/H2S bundled with RP-3R, 10' hose & probe, 100-240 VAC charger, screwdriver and carrying case	1,140.00
72-RA-C-59	GX-3R for LEL/O2/CO/H2S bundled with RP-3R, 10' hose & probe, 100-240 VAC charger, 34AL cylinder CH4/O2/H2S/CO, 0.25 LPM regulator, tubing, screwdriver, and carrying case	1,500.00



72-RA-C-59

GX-3R Calibration Kits

Instrument #	Cal-Kit Part #	Cal-Kit Description	Price
72-RA-C 72-RB-C	81-GX3RHSCO	Cal kit, GX-3R or GX-3R Pro, 58AL cyl H2S 25 ppm / CO 50 ppm / CH4 50% LEL / O2 12% in N2, regulator 0.25 LPM, case & tubing	380.00
	81-GX3RHSCO-116	Cal kit, GX-3R or GX-3R Pro, 116AL cyl H2S 25 ppm / CO 50 ppm / CH4 50% LEL / O2 12% in N2, regulator 0.25 LPM, case & tubing	510.00
	81-GX3RHSCO-LV	Cal kit, GX-3R or GX-3R Pro, 34AL cyl H2S 25 ppm / CO 50 ppm / CH4 50% LEL / O2 12% in N2, regulator 0.25 LPM, case & tubing	405.00
72-RC-C 72-RG-C 72-RI-C	81-GX3RCO	Cal kit, GX-3R or GX-3R Pro, 103L steel cyl CO 50 ppm / CH4 50% LEL / O2 12% in N2, regulator 0.25 LPM, case & tubing	340.00
	81-GX3RCO-LV	Cal kit, GX-3R or GX-3R Pro, 34L cyl CO 50 ppm / CH4 50% LEL / O2 12% in N2, regulator 0.25 LPM, case & tubing	300.00

GX-3R Replacement Sensors

Part#	Description	Suggested Retail
NCR-6309	Sensor, LEL 0-100% for GX-3R / GX-3R Pro / GX-Force	150.00
ESR-X13P-OXY	Sensor, Oxygen (O2) 0-25% vol for GX-3R / GX-3R Pro / GX-Force	150.00
ESR-A1DP-COHS	Sensor, CO/H2S combination, CO 0-2000 ppm, H2S 0-200 ppm for GX-3R / GX-3R Pro / GX-Force / GasWatch 3 / 04 Series	240.00
ESR-A1CP-CO-H	Sensor, Carbon Monoxide (CO) 0-2000 ppm with H2 compensation for GX-3R / GX-3R Pro / GX-Force / GasWatch 3 / 04 Series	240.00
ESR-A13P-CO	Sensor, Carbon Monoxide (CO) 0-2000 ppm for GX-3R / GX-3R Pro / GX-Force / GasWatch 3 / 04 Series	150.00
ESR-A13i-H2S	Sensor, Hydrogen Sulfide (H2S) 0-200 ppm for GX-3R / GX-3R Pro / GX-Force / GasWatch 3 / 04 Series	150.00



H2S/CO
ESR-A1DP-COHS



O2
ESR-X13P-OXY



LEL
NCR-6309

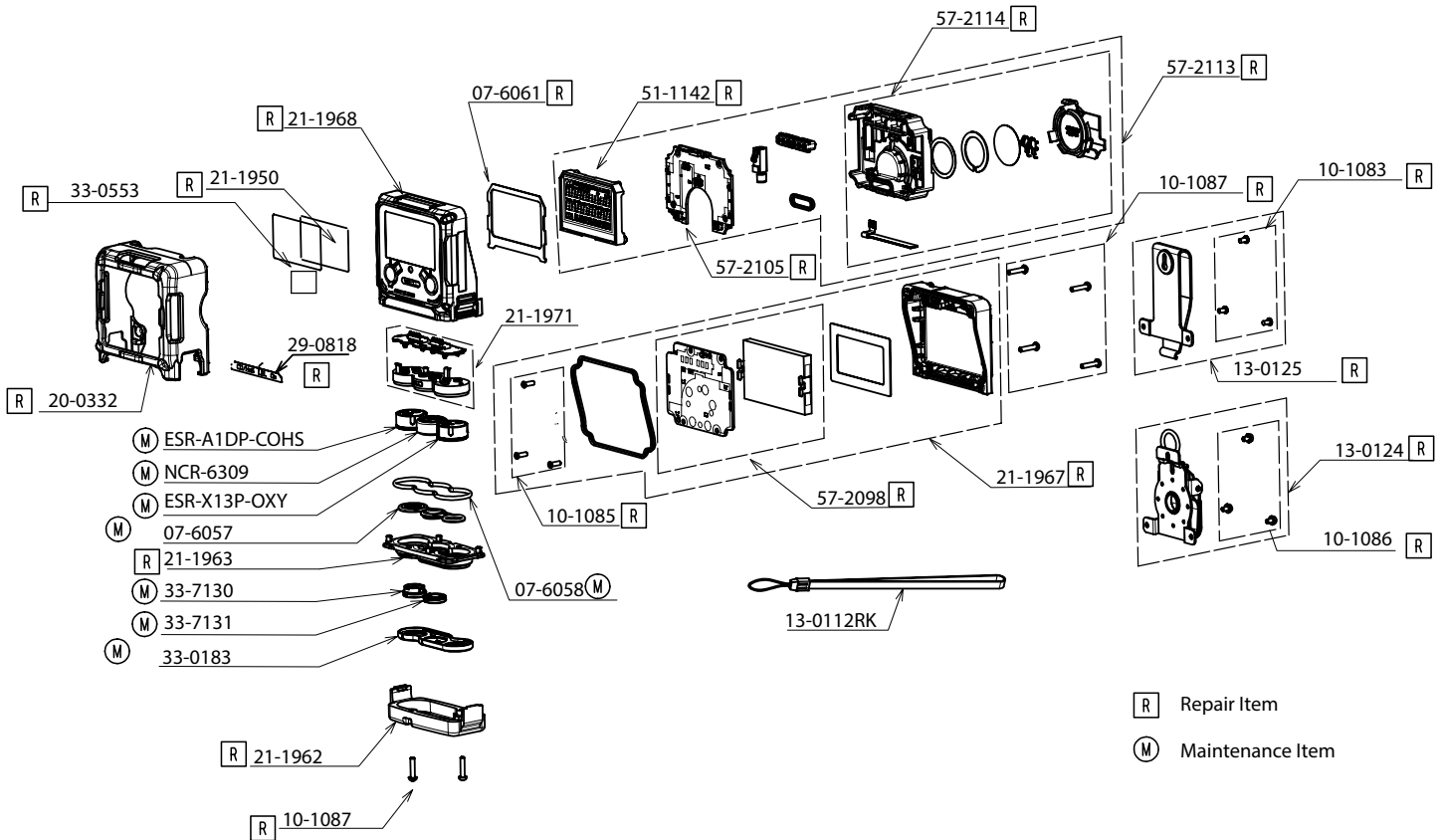
Premier Portable Instruments

GX-3R Replacement Parts & Accessories

Part#	Description	Suggested Retail
07-6057	Sensor gasket, GX-3R	3.60
07-6058	Sensor retainer gasket, O-ring, GX-3R	3.60
10-1083	Screw, M2 x 3.5, SS, pan head, phillips	1.00
10-1086	Screw with flat & lock washers for GX-3R/GX-3R Pro belt clip, M2 x 4, SS, pan head, phillips	1.00
10-1087	Screw for GX-3R/GX-3R Pro sensor cap & battery pack, M2 x 10, SS, phillips, 1 each	1.00
10-1119	Screw, M3 x 12 mm, stainless steel, charger screw to SDM-3R.....	1.50
13-0112RK	Wrist strap	4.00
13-0124	Alligator clip with installation screws for GX-3R/GX-3R Pro	26.00
13-0125	Belt clip with installation screws for GX-3R/GX-3R Pro	28.00
20-0112RK-01	Padded carrying case for GX-3R, GX-3R Pro, or GX-2009 aspirator kit	120.00
20-0112RK-02	Padded carrying case for GX-3R, GX-3R Pro, or GX-2009, aspirator, and cal kit.	190.00
20-0115RK-01	Padded carrying case for one GX-3R, GX-3R Pro, GX-2009 or 03 series instrument and charger only	80.00
20-0116	Case with foam, generic for small portable instruments including 03/04 Series/GX-3R/GX-3R Pro/GX-2009	18.00
20-0332	Rubber boot for GX-3R	18.00
21-1950	LCD protection film for GX-3R/GX-3R Pro	6.00
21-1950-05	LCD protection film for GX-3R/GX-3R Pro, pack of 5	30.00
21-1962	Bottom cover (sensor cap), GX-3R	10.00
21-1963	Sensor retainer, GX-3R	3.60
21-1967	Rear case assembly with Li-Ion battery for GX-3R.....	210.00
21-1968	Front case with overlay for GX-3R	48.00
29-0715	Label, 3 gas, case sensor, CO, LEL, O2, GX-3R	1.00
29-0818	Label, 4 gas, case sensor, CO/H2S, LEL, O2, GX-3R	1.00
33-0183	Hydrophobic dust filter with integral gasket for sensors, GX-3R	15.00
33-0183-10	Hydrophobic dust filter with integral gasket for sensors, GX-3R, pack of 10	140.00
33-0553	Buzzer protection cover for GX-3R.....	6.00
33-7130	Scrubber disk filter for CO/H2S sensor (pack of 5) for GX-3R / GX-3R Pro / GX-Force	26.00
33-7131	Scrubber disk filter for combustible sensor, CF-6309 (5pcs/pack)	26.00
33-7132	Scrubber disk filter, charcoal, for CO & H2 comp CO sensor, CF-A1CP (pack of 5), (not used on CO/H2S combo sensor) for GX-3R / GX-3R Pro / GX-Force	26.00
33-7133	Humidity filter disk for H2S or PH3 sensor, CF-A13i (pack of 5) for GX-3R/GX-3R Pro/04 Series/GX-Force...	35.00
33-7142-01	Filter set for 1 GX-3R: 1 scrubber disk filter for CO/H2S sensor / 1 scrubber disc filter for LEL sensor / 1 hydrophobic filter with gasket	30.00
33-7142-05	Filter set for 5 GX-3R: 5 scrubber disk filter for CO/H2S sensor / 5 scrubber disc filter for LEL sensor / 5 hydrophobic filter with gasket	127.00
47-1019	Replacement charging cord, 2 ft each, for GX-3R / GX-3R Pro	14.00
47-5084RK-01	Downloading cable, USB / IrDA adapter, Windows XP, Windows 7, Windows 8, Windows 10, and Windows 11 compatible	230.00
47-5102	5-unit charging connector bar with 5 charging cables (47-1019) for GX-3R & GX-3R Pro, no AC adapter ...	180.00
49-0133	AC adapter, 100 - 240 VAC, 5.99 VDC 2A, for GX-3R/GX-3R Pro/SDM-3R	90.00
49-0134	Multi-unit AC adapter, 100 - 240 VAC (5.99 VDC out) for charging 5 instruments, GX-3R / GX-3R Pro	270.00
49-2021	DC adapter with vehicle plug & 4 ft cable, 12-24 VDC for GX-3R and GX-3R Pro	50.00
49-2023	USB DC adapter with 2.5 ft cable, 5 VDC in / 6.0 VDC 1 amp out, for GX-3R and GX-3R Pro	50.00
51-1142	LCD module with cable, for GX-3R.....	54.00
57-2098	Li-Ion battery with battery board, for GX-3R.....	160.00
65-7004	Dummy sensor for GX-3R/GX-3R Pro/GX-Force	5.00
71-0477	Manual for GX-3R	0.00
81-0000RK-51	Cylinder, H2, 200 ppm in air, 34L steel	55.00
81-0090RK-01	Cylinder, CO 50 ppm / CH4 50% LEL / O2 12 % in N2, 34L steel	55.00
81-0090RK-03	Cylinder, CO 50 ppm / CH4 50% LEL / O2 12 % in N2, 103L steel	150.00
81-0154RK-02	Cylinder, H2S 25 ppm / CO 50 ppm / CH4 50% LEL / O2 12% in N2, 58AL	190.00
81-0154RK-04	Cylinder, H2S 25 ppm / CO 50 ppm / CH4 50% LEL / O2 12% in N2, 34AL	160.00
81-0154RK-06	Bump test cylinder, H2S 40 ppm / CO 100 ppm / Methane 50% LEL / O2 12% in N2, 11AL aerosol	55.00
81-0154RK-116	Cylinder, H2S 25 ppm / CO 50 ppm / CH4 50% LEL / O2 12% in N2, 116AL.....	320.00
81-1050RK-25	Regulator, with gauge & knob, 17/34L, 0.25 LPM	125.00
81-1051RK-25	Regulator, with gauge and knob, 34AL/58AL/103L steel, 0.25 LPM, C-10 fitting	125.00
81-1161	Hand aspirated sample adapter for GX-3R with 10' hose & probe	95.00
81-1192	Calibration adapter for GX-3R	10.00
81-1197	RP-3R pump with tapered red nozzle for GX-3R	360.00
81-1198	RP-3R pump with 10 ft hose, 10 inch probe, and tapered red nozzle for GX-3R	420.00

Premier Portable Instruments

GX-3R Spare Parts Diagram



Part	Description
07-6057	Sensor gasket, GX-3R
07-6058	Sensor case o-ring, GX-3R
10-1086	Screw with flat & lock washers for GX-3R/GX-3R Pro belt clip, M2 x 4, SS, pan head, phillips
10-1087	Screw for GX-3R/GX-3R Pro sensor cap & battery pack, M2 x 10, SS, phillips, 1 each
13-0112RK	Wrist strap
13-0124	Alligator clip with installation screws
13-0125	Belt clip with installation screws
20-0332	Rubber boot for GX-3R
21-1950	LCD protective film for GX-3R/GX-3R Pro
21-1962	Bottom cover (sensor cap), GX-3R
21-1963	Sensor retainer, GX-3R
21-1967	Rear case assembly with Li-ion battery, GX-3R
21-1968	Front case with overlay, GX-3R
29-0818	Label, case sensor, CO/H2S, LEL, O2, GX-3R
33-0183	Sensor dust filter with internal gasket for GX-3R

Part	Description
33-0183-10	Sensor dust filters with internal gasket for GX-3R, 10-pack
33-0553	Buzzer protection cover for GX-3R
33-7130	Scrubber disk filter for H2S/CO sensor 5-pack
33-7131	Scrubber disk filter for LEL sensor, 5-pack
33-7132	Scrubber disk filter, charcoal, for CO & H2 comp CO sensor, GX-3R/GX-3R Pro, 5-pack
33-7133	Humidity filter disk for H2S sensor, GX-3R/GX-3R Pro, 5-pack
51-1142	LCD module with cable, for GX-3R
57-2098	Li-Ion battery with battery board
ESR-A1DP-COHS	Sensor, H2S/CO combo for GX-3R/GX-3R Pro
NCR-6309	Sensor, LEL for GX-3R/GX-3R Pro
ESR-X13P-OXY	Sensor, O2 for GX-3R/GX-3R Pro
ESR-A13I-H2S	Sensor, H2S for GX-3R/GX-3R Pro
ESR-A13P-CO	Sensor, CO, GX-3R/3R Pro
ESR-A1CP-CO-H	Sensor, CO with H2 compensation for GX-3R/GX-3R Pro

RP-3R Sample Drawing Pump For GX-3R

All pumps attach to the GX-3R and include a 4" tapered red nozzle for sampling. Some versions also include a 10' hose (100' max), and a probe for remote sampling. All RP-3R pumps include built-in dust and hydrophobic filters, and one "AA" alkaline battery.



Part#	Description	Suggested Retail
81-1197	RP-3R pump with tapered red nozzle for GX-3R	360.00
81-1198	RP-3R pump with 10 ft hose, 10 inch probe, and tapered red nozzle for GX-3R.....	420.00
81-1198-20	RP-3R pump with 20 ft hose, 10 inch probe, and tapered red nozzle for GX-3R.....	425.00
81-1198-30	RP-3R pump with 30 ft hose, 10 inch probe, and tapered red nozzle for GX-3R.....	430.00

RP-3R Replacement Parts & Accessories

Part#	Description	Suggested Retail
07-2005RK	Gasket, filter/screen retaining, RP-3R / RP-2009 / RP-6 / GX-2003 / GX-2012 / Gas Tracer / GX-Force.....	15.00
07-6000RK	O-ring for inlet fitting of RP-3R/RP-2009/RP-6/GX-2003/GX-2012/Gas Tracer.....	1.00
17-1000RK	Inlet fitting (also needs o-ring 07-6000RK) for RP-3R/RP-6	8.80
17-1001RK	Tapered rubber inlet nozzle, 4", RP-3R/RP-2009/RP-6/GX-2003/GX-2012/Gas Tracer	8.00
21-1833RK	Filter holder, clear plastic, RP-3R/RP-2009/GX-2003/GX-2012/Gas Tracer/GX-6000	12.80
21-1957	Battery cap assembly , for RP-3R / RP-3R Pro.....	20.60
30-0022RK	Pump replacement for GX-2012/Gas Tracer/RP-3R/RP-2009/GX-6000/FP-31/NC-1000, with cable and connector	140.00
33-0159RK	Teflon filter disk, 10 pieces, RP-3R/RP-2009/RP-6/GX-2003/GX-2012/Gas Tracer/GX-6000/NC-1000/GX-Force	24.00
33-1031RK	Cotton balls, filters for probe, bag of 25 (For 80-0150RK old style probe)	4.00
33-1112RK	Wire mesh disk filter, RP-3R/RP-2009/RP-6/GX-2003/GX-2012/Gas Tracer/GX-6000/GX-Force, 10 pack ...	15.00
33-3013	Filter element, particle, polypropylene/polyethylene for GX-6000, GX-2012, Gas Tracer, GX-2001, GX-2003, RP-3R probe, (not for Cl2)	2.00
33-3013-10	Filter element, particle, polypropylene/polyethylene for GX-6000, GX-2012, Gas Tracer, GX-2001, GX-2003, RP-3R probe, (not for Cl2) pack of 10	20.00
49-1120RK	Size AA alkaline battery	1.40
80-0009RK-10	Hose, 10', polyurethane, GX-2012/Gas Tracer/GX-Force/GX-20003/RP-3R/RP-3R/RP-2009.....	36.00
80-0009RK-15	Hose, 15', polyurethane, GX-2012/Gas Tracer/GX-20003/RP-3R/RP-2009	38.00
80-0009RK-20	Hose, 20', polyurethane, GX-2012/Gas Tracer/GX-20003/RP-3R/RP-2009	40.00
80-0009RK-25	Hose, 25', polyurethane, GX-2012/Gas Tracer/GX-20003/RP-3R/RP-2009	42.00
80-0009RK-30	Hose, 30', polyurethane, GX-2012/Gas Tracer/GX-20003/RP-3R/RP-2009	46.00
80-0172	Probe with hydrophobic filter, dust filter, no scrubber section, for GX-6000/ (not for Cl2 use) / GX-8000/RX-8000/GX-Force/GX-2012/GasTracerGX-2001/GX-2003/RP-3R.....	35.00
80-0404RK	Dilution fitting, 50:50 for GX-2003/-2012/Gas Tracer/GX-Force/RP-2009/RP-6/RP-3R.....	95.00

SDM-3R Calibration Station

Part#	Description	Suggested Retail
32-0220	Solenoid valve assembly, with PCB/cable/gasket, for SDM-3R	150.00
49-0133	AC adapter, 100 - 240 VAC, 5.99 VDC 2A, for GX-3R/GX-3R Pro/SDM-3R ...	90.00
81-1500RK	Cylinder holder for 58 liter aluminum cylinders	20.00
81-1501RK	Cylinder holder for 103 liter steel cylinders and 116 liter aluminum cylinders	20.00
81-1502RK	Cylinder holder for 17/34 liter steel cylinders, and for 34 liter aluminum cylinders	20.00
81-SDM3R101	SDM-3R calibration station with 1 solenoid, AC adapter, flash drive, USB cable, and tubing	1,300.00
81-SDM3R103	SDM-3R calibration station with 1 solenoid, demand flow regulator, 58AL cyl H2S/CO/CH4/O2, cylinder holder, AC adapter, flash drive, USB cable, and tubing	1,790.00
81-SDM3R104	SDM-3R calibration station with 1 solenoid, demand flow regulator, 34AL cyl H2S/CO/CH4/O2, cylinder holder, AC adapter, flash drive, USB cable, and tubing	1,760.00
81-SDM3R109	SDM-3R calibration station with 1 solenoid, demand flow regulator, 116AL cyl H2S/CO/CH4/O2, cylinder holder, AC adapter, flash drive, USB cable, and tubing	1,920.00



SDM-3R

Premier Portable Instruments

GX-3R Pro Five Gas Personal Monitor

Base Instrument	4 Gas Sensors	Toxic Sensor	Battery	
72 - P	A	C	C	
	Step 1	Step 2	Step 3	
	4 Gas Sensors	Toxic Sensor	Battery	
	\$795	\$240	\$185	\$1,220
				Total List Price



Above Example:
72-PAC-C

GX-3R Pro for LEL / O2 / combo H2S & CO / SO2
with Li-Ion battery pack including 100-240 VAC charger \$1,220.00

Step 1

Sensor Slots 1-3 (Standard 4 gas sensors)

X	No 4 gas sensors	695.00
A	LEL / O2 / combo H2S / CO	795.00
B	LEL / O2 / H2S / CO (individual CO and H2S sensors) *	845.00
C	LEL / O2 / H2S / CO (H2 compensated CO sensor) *	935.00
D	LEL / O2 / H2S	795.00
E	LEL / O2 / CO	795.00
F	LEL / O2 / CO (H2 compensated CO sensor)	885.00
G	LEL / combo H2S / CO	770.00
H	O2 / combo H2S / CO	770.00
I	LEL / O2	745.00
J	LEL / H2S	745.00
K	LEL / CO	745.00
L	LEL / CO (H2 compensated CO sensor)	860.00
M	O2 / CO (H2 compensated CO sensor)	860.00
N	combo H2S / CO	745.00
O	LEL	720.00
P	O2	720.00
Q	H2S	720.00
R	CO	720.00
S	CO (H2 compensated CO sensor)	835.00
T	O2 / H2S	745.00
U	O2 / CO	745.00
V	LEL / O2 / HCN	985.00
W	O2 / SO2	960.00

Step 2

Sensor Slot 4 (Toxic Sensors)
(Note: if B or C is selected in Step 1, Step 2 is X)

X	No additional toxic sensor	0.00
A	CO2, 10,000 ppm, IR	400.00
B	CO2, 10% volume, IR	400.00
C	SO2, 100 ppm	240.00
D	NO2, 20 ppm	240.00
E	HCN, 30 ppm	240.00
F	PH3, 20 ppm	240.00
G	NH3, 400 ppm (2022 Q1)	240.00
I	H2S single sensor, slot 4	50.00

Step 3

Battery options

A	Alkaline battery pack only	0.00
B	Alkaline and Li-Ion battery pack with 100-240 VAC Charger**	310.00
C	Li-Ion battery pack with 100-240 VAC Charger	185.00
D	Li-Ion battery pack with 12 VDC charger and vehicle plug	160.00
E	Li-Ion battery pack only (No charger)	135.00
F	Li-Ion battery pack with 100-240 VAC and 12 VDC chargers	210.00
G	Li-Ion battery pack with 100-240 VAC charger and USB charger	160.00

* This configuration utilizes all 4 sensor slots. A toxic sensor in step 2 cannot be selected.

** Phillips screwdriver is required to change alkaline and Li-ion battery packs.

Note: For configurations with either CO or H2S (not both), individual sensors are used versus a combo CO/H2S sensor.

Instrument Price Includes

13-0112RK	Wrist strap
20-0335	Rubber boot for GX-3R Pro
71-0478	Manual for GX-3R Pro
81-1193	Calibration adapter for GX-3R Pro

Impractical Combinations: H2S / PH3

Premier Portable Instruments

GX-3R Pro Common Configurations

Part#	Description	Suggested Retail
72-PAA-C	GX-3R Pro, 5 gas, LEL / O2 / combo H2S & CO / ppm CO2 with 100-240 VAC charger.....	1,380.00
72-PAB-C	GX-3R Pro, 5 gas, LEL / O2 / combo H2S & CO / % CO2 with 100-240 VAC charger	1,380.00
72-PAC-C	GX-3R Pro, 5 gas, LEL / O2 / combo H2S & CO / SO2 100 ppm with Li-Ion battery pack including 100-240 VAC charger	1,220.00
72-PAX-C	GX-3R Pro, 4 gas, LEL / O2 / combo H2S & CO with Li-Ion battery & 100-240 VAC charger	980.00
72-PCX-C	GX-3R Pro, 4 gas, LEL / O2 / H2S / CO (H2 compensated) with 100-240 VAC charger	1,200.00

GX-3R Pro Instrument Bundles (Instrument & Charger Included)

Part#	Description	Suggested Retail
72-PAC-C-50	GX-3R Pro, 5 gas, LEL / O2 / combo H2S & CO / SO2 100 ppm with Li-Ion battery pack 100-240 VAC charger, screwdriver and carrying case	1,305.00
72-PAC-C-56	GX-3R Pro, 5 gas, LEL / O2 / combo H2S & CO / SO2 100 ppm bundled with 34AL cylinder SO2/H2S/CO/O2/LEL, 0.25 LPM regulator, Li-Ion battery pack & 100-240 VAC charger, tubing, screwdriver, and carrying case	1,745.00
72-PAC-C-58	GX-3R Pro, 5 gas, LEL / O2 / combo H2S & CO / SO2 100 ppm bundled with RP-3R, 10' hose & probe, Li-Ion battery pack & 100-240 VAC charger and carrying case.....	1,765.00
72-PAE-C-56	GX-3R Pro, 5 gas, LEL / O2 / combo H2S & CO / HCN 30 ppm bundled with 34AL cylinder H2S/CO/O2/LEL, 34AL cylinder HCN 10 ppm in N2, 0.25 LPM regulator, Li-Ion battery pack & 100-240 VAC charger, tubing, screwdriver, and carrying case	1,925.00
72-PAX-C-50	GX-3R Pro, 4 gas, LEL / O2 / combo H2S & CO with Li-Ion battery & 100-240 VAC charger, screwdriver and carrying case	1,065.00
72-PAX-C-56	GX-3R Pro, 4 gas, LEL / O2 / combo H2S & CO bundled with 34AL cylinder CH4/O2/H2S/CO, 0.25 LPM regulator, Li-Ion battery & 100-240 VAC charger, tubing, screwdriver, and carrying case	1,465.00
72-PAX-C-58	GX-3R Pro, 4 gas, LEL / O2 / combo H2S & CO bundled with with RP-3R, 10' hose & probe, Li-Ion battery & 100-240 VAC charger and carrying case	1,525.00



72-PAC-C-56

GX-3R Pro Replacement Sensors

Part#	Description	Suggested Retail
NCR-6309	Sensor, LEL 0-100% for GX-3R / GX-3R Pro / GX-Force	150.00
ESR-X13P-OXY	Sensor, Oxygen (O2) 0-25% vol for GX-3R / GX-3R Pro / GX-Force	150.00
ESR-A1DP-COHS	Sensor, CO/H2S combination, CO 0-2000 ppm, H2S 0-200 ppm for GX-3R / GX-3R Pro / GX-Force / GasWatch 3 / 04 Series	240.00
ESR-A1CP-CO-H	Sensor, Carbon Monoxide (CO) 0-2000 ppm with H2 compensation for GX-3R / GX-3R Pro / GX-Force / GasWatch 3 / 04 Series	240.00
ESR-A13P-CO	Sensor, Carbon Monoxide (CO) 0-2000 ppm for GX-3R / GX-3R Pro / GX-Force / GasWatch 3 / 04 Series ...	150.00
ESR-A13i-H2S	Sensor, Hydrogen Sulfide (H2S) 0-200 ppm for GX-3R / GX-3R Pro / GX-Force / GasWatch 3 / 04 Series ...	150.00
IRR-0433	Sensor, Carbon Dioxide (CO2), 0-10,000 ppm for GX-3R Pro	400.00
IRR-0409	Sensor, Carbon Dioxide (CO2), 0-10% volume for GX-3R Pro	400.00
ESR-B134-NH3	Sensor, Ammonia (NH3) 0-400 ppm for GX-3R Pro / SC-04	240.00
ESR-A13D-HCN	Sensor, Hydrogen Cyanide (HCN) 0-30 ppm for GX-3R Pro / SC-04	240.00
ESR-A13D-NO2	Sensor, Nitrogen Dioxide (NO2) 0-20 ppm for GX-3R Pro / SC-04	240.00
ESR-A13D-PH3	Sensor, Phosphine (PH3) 0-20.00 ppm for GX-3R Pro / SC-04	240.00
ESR-A13D-SO2	Sensor, Sulfur Dioxide (SO2) 0-100 ppm for GX-3R Pro / SC-04	240.00



LEL
NCR-6309



O2
ESR-X13P-OXY



CO/H2S
ESR-A1DP-COHS



NH3
ESR-B134-NH3



HCN
ESR-A13D-HCN



NO2
ESR-A13D-NO2



PH3
ESR-A13D-PH3



SO2
ESR-A13D-SO2



CO2
IRR-0433



CO2
IRR-0409

Premier Portable Instruments

GX-3R Pro Calibration Kits

Instrument #	Cal-Kit Part #	Cal-Kit Description	Price
72-PAA-C	81-PAA	Cal kit, GX-3R Pro, 58AL cyl H2S 25 ppm / CO 50 ppm / CH4 50% LEL / O2 12% in N2, 103L steel cyl 5,000 ppm CO2 in N2, regulator 0.25 LPM, case & tubing	530.00
	81-PAA-LV	Cal kit, GX-3R Pro, 34AL cyl H2S 25 ppm / CO 50 ppm / CH4 50% LEL / O2 12% in N2, 34L cyl 5,000 ppm CO2 in N2, two regulators 0.25 LPM, case & tubing	585.00
72-PAB-C	81-PAB	Cal kit, GX-3R Pro, 58AL cyl H2S 25 ppm / CO 50 ppm / CH4 50% LEL / O2 12% in N2, 103L steel cyl 2.5% vol CO2 in N2, regulator 0.25 LPM, case & tubing	530.00
	81-PAB-LV	Cal kit, GX-3R Pro, 34AL cyl H2S 25 ppm / CO 50 ppm / CH4 50% LEL / O2 12% in N2, 34L cyl 2.5% vol CO2 in N2, two regulators 0.25 LPM, case & tubing	490.00
72-PAC-C	81-PAC	Cal kit, GX-3R Pro, 58AL cyl SO2 5 ppm / H2S 25 ppm / CO 50 ppm / CH4 50% LEL / O2 12% in N2, regulator 0.25 LPM, case & tubing	470.00
72-PAE-C	81-PAE-LV	Cal kit, GX-3R Pro, 34AL cyl H2S 25 ppm / CO 50 ppm / CH4 50% LEL / O2 12% in N2, 34AL cyl 10 ppm HCN in N2, regulator 0.25 LPM, case & tubing	715.00
72-PAX-C	81-GX3RHSCO	Cal kit, GX-3R or GX-3R Pro, 58AL cyl H2S 25 ppm / CO 50 ppm / CH4 50% LEL / O2 12% in N2, regulator 0.25 LPM, case & tubing	380.00
72-PBX-C		Cal kit, GX-3R or GX-3R Pro, 116AL cyl H2S 25 ppm / CO 50 ppm / CH4 50% LEL / O2 12% in N2, regulator 0.25 LPM, case & tubing	510.00
72-PDX-C	81-GX3RHSCO-116	Cal kit, GX-3R or GX-3R Pro, 116AL cyl H2S 25 ppm / CO 50 ppm / CH4 50% LEL / O2 12% in N2, regulator 0.25 LPM, case & tubing	510.00
72-PGX-C		Cal kit, GX-3R or GX-3R Pro, 34AL cyl H2S 25 ppm / CO 50 ppm / CH4 50% LEL / O2 12% in N2, regulator 0.25 LPM, case & tubing	405.00
72-PHX-C	81-GX3RHSCO-LV	Cal kit, GX-3R or GX-3R Pro, 34AL cyl H2S 25 ppm / CO 50 ppm / CH4 50% LEL / O2 12% in N2, regulator 0.25 LPM, case & tubing	405.00
72-PJX-C		Cal kit, GX-3R or GX-3R Pro, 34AL cyl H2S 25 ppm / CO 50 ppm / CH4 50% LEL / O2 12% in N2, regulator 0.25 LPM, case & tubing	405.00
72-PCX-C	81-PCX-LV	Cal kit, GX-3R Pro, 34AL cyl H2S 25 ppm / CO 50 ppm / CH4 50% LEL / O2 12% in N2, 103L cyl H2 2000 ppm in air, regulator 0.25 LPM, case & tubing	500.00
72-PEX-C	81-GX3RCO	Cal kit, GX-3R or GX-3R Pro, 103L steel cyl CO 50 ppm / CH4 50% LEL / O2 12% in N2, regulator 0.25 LPM, case & tubing	340.00
72-PFX-C		Cal kit, GX-3R or GX-3R Pro, 34L cyl CO 50 ppm / CH4 50% LEL / O2 12% in N2, regulator 0.25 LPM, case & tubing	300.00
72-PIX-C	81-GX3RCO-LV	Cal kit, GX-3R or GX-3R Pro, 34L cyl CO 50 ppm / CH4 50% LEL / O2 12% in N2, regulator 0.25 LPM, case & tubing	300.00
72-PKX-C		Cal kit, GX-3R or GX-3R Pro, 34L cyl CO 50 ppm / CH4 50% LEL / O2 12% in N2, regulator 0.25 LPM, case & tubing	300.00
72-PPA-C	81-PPA	Cal kit, GX-3R Pro, 103L steel cyl 5,000 ppm CO2 in N2, regulator 0.25 LPM, case & tubing	340.00
	81-PPA-LV	Cal kit, GX-3R Pro, 34L cyl 5,000 ppm CO2 in N2, regulator 0.25 LPM, case & tubing	300.00

GX-3R Pro Replacement Parts & Accessories

Part#	Description	Suggested Retail
10-1086	Screw with flat & lock washers for GX-3R/GX-3R Pro belt clip, M2 x 4, SS, pan head, phillips	1.00
10-1087	Screw for GX-3R/GX-3R Pro sensor cap & battery pack, M2 x 10, SS, phillips, 1 each	1.00
13-0112RK	Wrist strap	4.00
13-0124	Alligator clip with installation screws for GX-3R/GX-3R Pro	26.00
13-0125	Belt clip with installation screws for GX-3R/GX-3R Pro	28.00
20-0116	Case with foam, generic for small portable instruments including 03/04 Series/GX-3R/GX-3R Pro/GX-2009	18.00
20-0335	Rubber boot for GX-3R Pro	18.00
21-1950	LCD protection film for GX-3R/GX-3R Pro	6.00
21-1950-05	LCD protection film for GX-3R/GX-3R Pro, pack of 5	30.00
21-1977	Front case with overlay for GX-3R Pro	54.00
29-0699	Sensor case label for GX-3R Pro, Toxic 2 / LEL / O2 / Toxic	1.00
29-0700	Sensor case label for GX-3R Pro, CO/H2S / LEL / O2 / Toxic	1.00
33-0184	Hydrophobic dust filter with integral gasket for sensors, GX-3R Pro	16.00
33-0184-10	Hydrophobic dust filter with integral gasket for sensors, GX-3R Pro, pack of 10	150.00
33-0554	Buzzer protection cover for GX-3R Pro	6.80
33-6015RK	CO2 scrubber, CF-283 for GX-3R Pro/GX-6000/RX-515/RI-85	56.00
33-7130	Scrubber disk filter for CO/H2S sensor (pack of 5) for GX-3R / GX-3R Pro / GX-Force	26.00
33-7131	Scrubber disk filter for combustible sensor, CF-6309 (5pcs/pack)	26.00
33-7132	Scrubber disk filter, charcoal, for CO & H2 comp CO sensor, CF-A1CP (pack of 5), (not used on CO/H2S combo sensor) for GX-3R / GX-3R Pro / GX-Force	26.00
33-7133	Humidity filter disk for H2S or PH3 sensor, CF-A13i (pack of 5) for GX-3R/GX-3R Pro/04 Series/GX-Force...	35.00

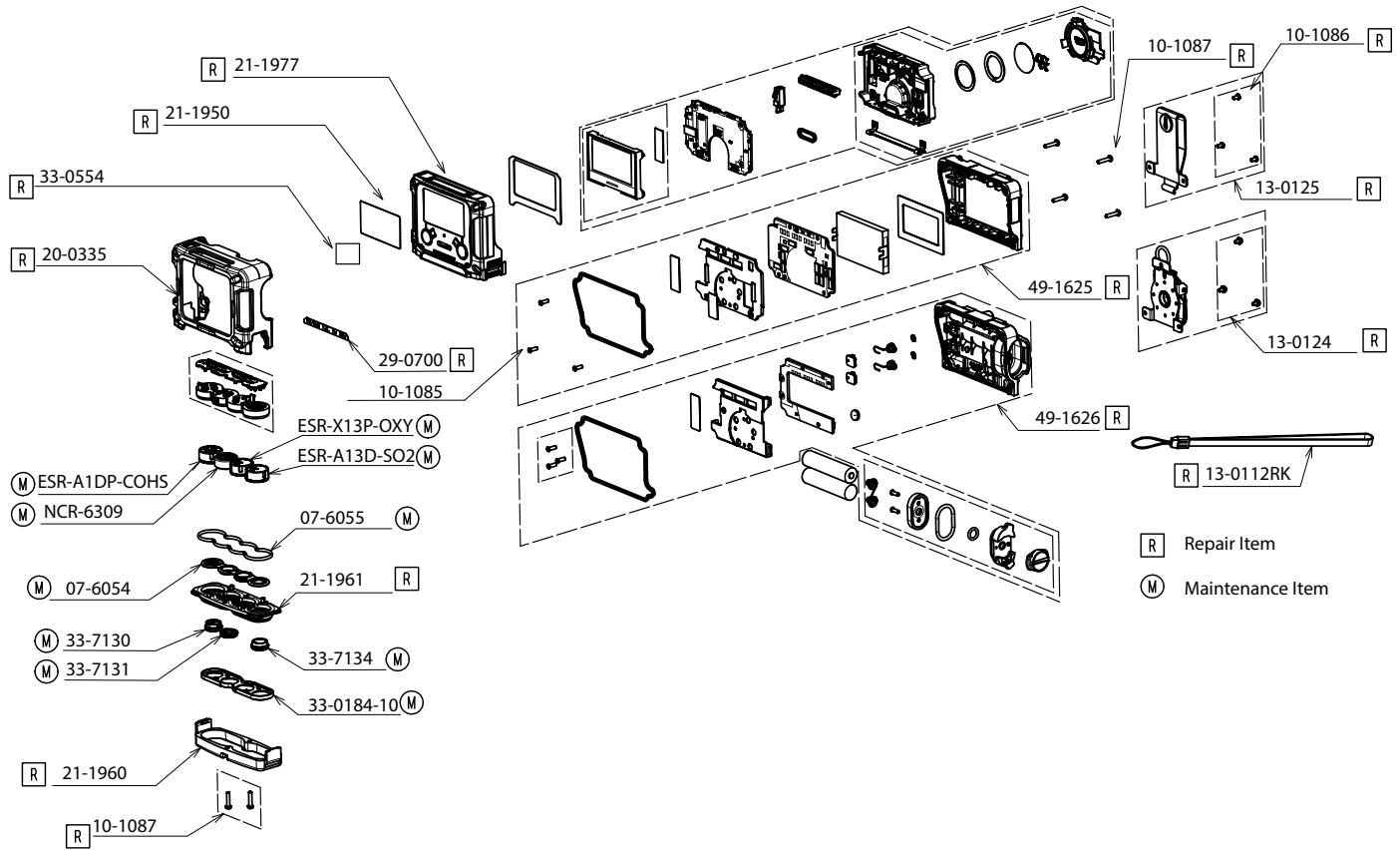
Premier Portable Instruments

GX-3R Pro Replacement Parts & Accessories (continued)

Part#	Description	Suggested Retail
33-7134	H2S scrubber disk for SO2 and NO2 sensors, GX-3R Pro, pack of 5	35.00
33-7134-01	H2S scrubber disk for SO2 and NO2 sensors, GX-3R Pro, one each	7.00
33-7137	H2S filter disk for HCN sensor, CF-A13D-2, GX-3R Pro, 1 each	18.00
33-7140	Humidity filter disk for NH3 sensor, CF-B134, GX-3R Pro (pack of 5)	30.00
33-7140-01	Humidity filter disk for NH3 sensor, CF-B134, GX-3R Pro, 1 each	5.40
47-1019	Replacement charging cord, 2 ft each, for GX-3R / GX-3R Pro	14.00
47-5084RK-01	Downloading cable, USB / IrDA adapter, Windows XP, Windows 7, Windows 8, Windows 10, and Windows 11 compatible	230.00
47-5102	5-unit charging connector bar with 5 charging cables (47-1019) for GX-3R & GX-3R Pro, no AC adapter	180.00
47-5102-01	5-unit charging connector bar (used in 47-5102), no charging cables	55.00
49-0133	AC adapter, 100 - 240 VAC, 5.99 VDC 2A, for GX-3R/GX-3R Pro/SDM-3R	90.00
49-0134	Multi-unit AC adapter, 100 - 240 VAC (5.99 VDC out) for charging 5 instruments, GX-3R / GX-3R Pro	270.00
49-1110RK	Battery, alkaline, AAA	1.40
49-1625	Li-Ion battery pack, BUL-3R, for GX-3R Pro	250.00
49-1626	Battery pack, alkaline, BUD-3R, for GX-3R Pro	125.00
49-2021	DC adapter with vehicle plug & 4 ft cable, 12-24 VDC for GX-3R and GX-3R Pro	50.00
49-2023	USB DC adapter with 2.5 ft cable, 5 VDC in / 6.0 VDC 1 amp out, for GX-3R and GX-3R Pro	50.00
65-7004	Dummy sensor for GX-3R/GX-3R Pro/GX-Force	5.00
71-0478	Manual for GX-3R Pro	0.00
81-0000RK-51	Cylinder, H2, 200 ppm in air, 34L steel	55.00
81-0071RK-01	Cylinder, CO2 5000 ppm in N2, 34L steel	55.00
81-0071RK-03	Cylinder, CO2 5000 ppm in N2, 103L steel	150.00
81-0072RK-01	Cylinder, CO2 2.5% in N2, 34L steel	55.00
81-0072RK-03	Cylinder, CO2 2.5% in N2, 103L steel	150.00
81-0090RK-01	Cylinder, CO 50 ppm / CH4 50% LEL / O2 12 % in N2, 34L steel	55.00
81-0090RK-03	Cylinder, CO 50 ppm / CH4 50% LEL / O2 12 % in N2, 103L steel	150.00
81-0142RK-02	Cylinder, SO2 5 ppm / H2S 25 ppm / CO 50 ppm / CH4 50% LEL / O2 12% in N2, 58AL	280.00
81-0142RK-04	Cylinder, SO2 5 ppm / H2S 25 ppm / CO 50 ppm / CH4 50% LEL / O2 12% in N2, 34AL	200.00
81-0154RK-02	Cylinder, H2S 25 ppm / CO 50 ppm / CH4 50% LEL / O2 12% in N2, 58AL	190.00
81-0154RK-04	Cylinder, H2S 25 ppm / CO 50 ppm / CH4 50% LEL / O2 12% in N2, 34AL	160.00
81-0154RK-06	Bump test cylinder, H2S 40 ppm / CO 100 ppm / Methane 50% LEL / O2 12% in N2, 11AL aerosol	55.00
81-0154RK-116	Cylinder, H2S 25 ppm / CO 50 ppm / CH4 50% LEL / O2 12% in N2, 116AL	320.00
81-0176RK-02	Cylinder, NH3 25 ppm in N2, 58AL	300.00
81-0176RK-04	Cylinder, NH3 25 ppm in N2, 34AL	280.00
81-0180RK-02	Cylinder, NO2 10 ppm in air, 58AL	300.00
81-0180RK-04	Cylinder, NO2 10 ppm in air, 34AL	260.00
81-0185RK-02	Cylinder, PH3 0.5 ppm in N2, 58AL	300.00
81-0185RK-04	Cylinder, PH3 0.5 ppm in N2, 34AL	260.00
81-0196RK-02	Cylinder, HCN 10 ppm in N2, 58AL	300.00
81-0196RK-04	Cylinder, HCN 10 ppm in N2, 34AL	280.00
81-1050RK-25	Regulator, with gauge & knob, 17/34L, 0.25 LPM	125.00
81-1051RK-25	Regulator, with gauge and knob, 34AL/58AL/103L steel, 0.25 LPM, C-10 fitting	125.00
81-1162	Hand aspirated sample adapter for GX-3R Pro with 10' hose	85.00
81-1193	Calibration adapter for GX-3R Pro	10.00

Premier Portable Instruments

GX-3R Pro Spare Parts Diagram



Part	Description
ESR-A1DP-COHS	Sensor, H2S/CO combo for GX-3R/GX-3R Pro
NCR-6309	Sensor, LEL for GX-3R/GX-3R Pro
ESR-X13P-OXY	Sensor, O2 for GX-3R/GX-3R Pro
ESR-A13D-SO2	Sensor, SO2 for GX-3R Pro
ESR-A13I-H2S	Sensor, H2S for GX-3R/GX-3R Pro
ESR-A13P-CO	Sensor, CO, GX-3R/3R Pro
ESR-A1CP-CO-H	Sensor, CO with H2 compensated for GX-3R/GX-3R Pro
IRR-0409	Sensor, CO2, 0-10% volume for GX-3R Pro
IRR-0433	Sensor, CO2, 0-10,000 ppm for GX-3R Pro
07-6054	Sensor gasket, GX-3R Pro
07-6055	Sensor case o-ring, GX-3R Pro
10-1086	Screw with flat & lock washers for GX-3R/GX-3R Pro belt clip, M2 x 4, SS, pan head, phillips
10-1087	Screw for GX-3R/GX-3R Pro sensor cap & battery pack, M2 x 10, SS, phillips, 1 each
13-0112RK	Wrist strap
13-0124	Alligator Clip with installation screws
13-0125	Belt Clip with installation screws

Part	Description
20-0335	Rubber boot for GX-3R Pro
21-1950	LCD protective film for GX-3R/GX-3R Pro
21-1960	Bottom cover (sensor cap), GX-3R Pro
21-1961	Sensor retainer, GX-3R Pro
21-1977	Front case with overlay for GX-3R Pro
29-0700	Sensor case label for GX-3R Pro, CO/H2S / LEL / O2 /Toxic
33-0184-10	Sensor dust filters with internal gasket for GX-3R Pro, 10-pack
33-0554	Buzzer protection cover for GX-3R Pro
33-7130	Scrubber disk filter for H2S/CO sensor 5-pack
33-7131	Scrubber disk filter for LEL sensor, 5-pack
33-7132	Scrubber disk filter, charcoal, for CO & H2 comp CO sensor, GX-3R/GX-3R Pro, 5-pack
33-7133	Humidity filter disk for H2S sensor, GX-3R/GX-3R Pro, 5-pack
33-7134	H2S scrubber disk for SO2 sensor, GX-3R Pro, 5-pack
49-1625	Li-Ion battery pack for GX-3R Pro
49-1626	Alkaline battery pack for GX-3R Pro

Premier Portable Instruments

SDM-3R Calibration Station



SDM-3R

Part#	Description	Suggested Retail
81-SDM3R101	SDM-3R calibration station with 1 solenoid, AC adapter, flash drive, USB cable, and tubing	1,300.00
81-SDM3R102	SDM-3R calibration station with 1 solenoid, demand flow regulator, AC adapter, flash drive, USB cable, and tubing	1,580.00
81-SDM3R103	SDM-3R calibration station with 1 solenoid, demand flow regulator, 58AL cyl H2S/CO/CH4/O2, cylinder holder, AC adapter, flash drive, USB cable, and tubing	1,790.00
81-SDM3R104	SDM-3R calibration station with 1 solenoid, demand flow regulator, 34AL cyl H2S/CO/CH4/O2, cylinder holder, AC adapter, flash drive, USB cable, and tubing	1,760.00
81-SDM3R201	SDM-3R calibration station with 2 solenoids, AC adapter, flash drive, USB cable, and tubing	1,450.00
81-SDM3R202	SDM-3R calibration station with 2 solenoids, demand flow regulators (2 each), AC adapter, flash drive, USB cable, and tubing	2,035.00
81-SDM3R203	SDM-3R calibration station with 2 solenoid, demand flow regulator, 58AL cyl H2S/CO/CH4/O2, cylinder holder, AC adapter, flash drive, USB cable, and tubing	1,940.00
81-SDM3R204	SDM-3R calibration station with 2 solenoid, demand flow regulator, 34AL cyl H2S/CO/CH4/O2, cylinder holder, AC adapter, flash drive, USB cable, and tubing	1,910.00
81-SDM3R301	SDM-3R calibration station with 3 solenoids, AC adapter, flash drive, USB cable, and tubing	1,600.00
81-SDM3R302	SDM-3R calibration station with 3 solenoids, demand flow regulators (3 each), AC adapter, flash drive, USB cable, and tubing	2,440.00
81-SDM3R303	SDM-3R calibration station with 3 solenoid, demand flow regulator, 58AL cyl H2S/CO/CH4/O2, cylinder holder, AC adapter, flash drive, USB cable, and tubing	2,090.00
81-SDM3R304	SDM-3R calibration station with 3 solenoid, demand flow regulator, 34AL cyl H2S/CO/CH4/O2, cylinder holder, AC adapter, flash drive, USB cable, and tubing	2,060.00

Note: SDM-3R cannot be used for CL2 calibrations. CL2 versions must be calibrated with RP-3R attached.

SDM-3R Calibration Gases & Equipment

Part#	Description	Suggested Retail
32-0220	Solenoid valve assembly, with PCB/cable/gasket, for SDM-3R	150.00
49-0133	AC adapter, 100 - 240 VAC, 5.99 VDC 2A, for GX-3R/GX-3R Pro/SDM-3R	90.00
81-0071RK-01	Cylinder, CO2 5000 ppm in N2, 34L steel	55.00
81-0071RK-03	Cylinder, CO2 5000 ppm in N2, 103L steel.....	150.00
81-0072RK-01	Cylinder, CO2 2.5% in N2, 34L steel	55.00
81-0072RK-03	Cylinder, CO2 2.5% in N2, 103L steel	150.00
81-0090RK-01	Cylinder, CO 50 ppm / CH4 50% LEL / O2 12 % in N2, 34L steel	55.00
81-0090RK-03	Cylinder, CO 50 ppm / CH4 50% LEL / O2 12 % in N2, 103L steel	150.00
81-0142RK-02	Cylinder, SO2 5 ppm / H2S 25 ppm / CO 50 ppm / CH4 50% LEL / O2 12% in N2, 58AL	280.00
81-0142RK-04	Cylinder, SO2 5 ppm / H2S 25 ppm / CO 50 ppm / CH4 50% LEL / O2 12% in N2, 34AL	200.00
81-0154RK-02	Cylinder, H2S 25 ppm / CO 50 ppm / CH4 50% LEL / O2 12% in N2, 58AL	190.00
81-0154RK-04	Cylinder, H2S 25 ppm / CO 50 ppm / CH4 50% LEL / O2 12% in N2, 34AL	160.00
81-0154RK-116	Cylinder, H2S 25 ppm / CO 50 ppm / CH4 50% LEL / O2 12% in N2, 116AL.....	320.00
81-0176RK-02	Cylinder, NH3 25 ppm in N2, 58AL.....	300.00
81-0176RK-04	Cylinder, NH3 25 ppm in N2, 34AL.....	280.00
81-0180RK-02	Cylinder, NO2 10 ppm in air, 58AL.....	300.00
81-0180RK-04	Cylinder, NO2 10 ppm in air, 34AL.....	260.00
81-0186RK-02	Cylinder, PH3 5 ppm in N2, 58AL	280.00
81-0190RK-02	Cylinder, Cl2 5 ppm in N2, 58AL.....	340.00
81-0190RK-04	Cylinder, Cl2 5 ppm in N2, 34AL.....	220.00
81-0196RK-02	Cylinder, HCN 10 ppm in N2, 58AL	300.00
81-0196RK-04	Cylinder, HCN 10 ppm in N2, 34AL	280.00
81-1054RK	Regulator, demand flow for 34AL/58AL/103L/116L cylinders	280.00
81-1054RK-H2S	Regulator, demand flow for standard 4-gas in 34AL/58AL/103L/116L cylinders	240.00
81-1500RK	Cylinder holder for 58 liter aluminum cylinders	20.00
81-1501RK	Cylinder holder for 103 liter steel cylinders and 116 liter aluminum cylinders	20.00
81-1502RK	Cylinder holder for 17/34 liter steel cylinders, and for 34 liter aluminum cylinders	20.00

RP-3R Sample Drawing Pump For GX-3R Pro

All pumps attach to the GX-3R Pro and include a 4" tapered red nozzle for sampling. Some versions also include a 10' hose (100' max), and a probe for remote sampling. All RP-3R pumps include built-in dust and hydrophobic filters, and one "AA" alkaline battery.



RP-3R

Part#	Description	Suggested Retail
81-1199	RP-3R Pro pump with tapered red nozzle for GX-3R Pro	360.00
81-1200	RP-3R Pro pump with 10 ft hose, 10 inch probe, and tapered red nozzle for GX-3R Pro	420.00
81-1200-20	RP-3R Pro pump with 20 ft hose, 10 inch probe, and tapered red nozzle for GX-3R Pro	425.00

RP-3R Pro Replacement Parts & Accessories

Part#	Description	Suggested Retail
07-2005RK	Gasket, filter/screen retaining, RP-3R / RP-2009 / RP-6 / GX-2003 / GX-2012 / Gas Tracer / GX-Force.....	15.00
07-6000RK	O-ring for inlet fitting of RP-3R/RP-2009/RP-6/GX-2003/GX-2012/Gas Tracer	1.00
17-1000RK	Inlet fitting (also needs o-ring 07-6000RK) for RP-3R/RP-6	8.80
17-1001RK	Tapered rubber inlet nozzle, 4", RP-3R/RP-2009/RP-6/GX-2003/GX-2012/Gas Tracer	8.00
21-1833RK	Filter holder, clear plastic, RP-3R/RP-2009/GX-2003/GX-2012/Gas Tracer/GX-6000	12.80
21-1957	Battery cap assembly , for RP-3R / RP-3R Pro.....	20.60
30-0022RK	Pump replacement for GX-2012/Gas Tracer/RP-3R/RP-2009/GX-6000/FP-31/NC-1000, with cable and connector	140.00
33-0159RK	Teflon filter disk, 10 pieces, RP-3R/RP-2009/RP-6/GX-2003/GX-2012/Gas Tracer/GX-6000/ NC-1000/GX-Force	24.00
33-1031RK	Cotton balls, filters for probe, bag of 25 (For 80-0150RK old style probe)	4.00
33-1112RK	Wire mesh disk filter, RP-3R/RP-2009/RP-6/GX-2003/GX-2012/Gas Tracer/GX-6000/GX-Force, 10 pack ...	15.00
33-3013	Filter element, particle, polypropylene/polyethylene for GX-6000, GX-2012, Gas Tracer, GX-2001, GX-2003, RP-3R probe, (not for Cl2)	2.00
33-3013-10	Filter element, particle, polypropylene/polyethylene for GX-6000, GX-2012, Gas Tracer, GX-2001, GX-2003, RP-3R probe, (not for Cl2) pack of 10	20.00
49-1120RK	Size AA alkaline battery	1.40
80-0009RK-10	Hose, 10', polyurethane, GX-2012/Gas Tracer/GX-Force/GX-20003/RP-3R/RP-3R/RP-2009.....	36.00
80-0009RK-15	Hose, 15', polyurethane, GX-2012/Gas Tracer/GX-20003/RP-3R/RP-2009	38.00
80-0009RK-20	Hose, 20', polyurethane, GX-2012/Gas Tracer/GX-20003/RP-3R/RP-2009	40.00
80-0009RK-25	Hose, 25', polyurethane, GX-2012/Gas Tracer/GX-20003/RP-3R/RP-2009	42.00
80-0009RK-30	Hose, 30', polyurethane, GX-2012/Gas Tracer/GX-20003/RP-3R/RP-2009	46.00
80-0172	Probe with hydrophobic filter, dust filter, no scrubber section, for GX-6000/ (not for Cl2 use) / GX-8000/RX-8000/GX-Force/GX-2012/GasTracerGX-2001/GX-2003/RP-3R.....	35.00
80-0404RK	Dilution fitting, 50:50 for GX-2003/-2012/Gas Tracer/GX-Force/RP-2009/RP-6/RP-3R.....	95.00

Premier Portable Instruments

Connected Worker Subscriptions

Part#	Description	Suggested Retail
84-SCOMP	Safety compliance level connected worker, annual subscription	360.00
84-PROD	Productivity level connected worker, self-monitoring, annual subscription	550.00
84-PROD-247	24/7 Monitored Productivity Level Connected Worker, annual subscription	750.00
84-PROD-R	Subscription Renewal for Production level	550.00



Included Features	Safety Compliance \$360 / year	Productivity \$550 / year	24/7 Monitoring \$750 / year
Live web-based monitoring - Safety Control Center Current gas readings, alarms, geographic location, instrument, compliance, Email, SMS, and text to speech; Notify near-by workers	•	•	•
Phone App for Operators: Available with iOS or Android	•	•	•
Analytics: Ability to analyze bump, calibration, and alarm history for compliance and maintenance per user or device	•	•	•
Geofencing: Warning of restricted areas, including on-demand incident geofencing	•	•	•
Heat mapping Reporting: Historical graphical heat map of gas readings	•	•	•
Flexible deployment: Cloud-based or customer-hosted server	•	•	•
Lone worker check-in	•	•	•
Safety incident management protocols: Tied to company SOPs	•	•	•
Unlimited Push-to-Talk		•	•
Audio & Video Communication		•	•
Media Library (upload pictures or videos to cloud)		•	•
Walk-path tracking - Walk path reporting of user		•	•
24 /7 monitoring service - for Productivity subscription			•

Note: Subscriptions can be utilized with or without a gas monitor and are compatible with any GX-3R Pro (instrument sold separately).
Powered by AATMUNN

Premier Portable Instruments

GX-2009 MSHA With 115 VAC Standard Charger

Part#	Description	Suggested Retail
72-0311-MSHA-C	GX-2009 MSHA, 3 gas, CH4 / O2 / CO with alligator clip and 115 / 220 VAC charger.....	720.00
72-0316-MSHA-C	GX-2009 MSHA, 4 gas, CH4 / O2 / NO2 / CO with alligator clip and 115 / 220 VAC charger.....	795.00
72-0318-MSHA-C	GX-2009 MSHA, 3 gas, CH4 / O2 / CO (can add NO2 channel) with alligator clip and 115 / 220 VAC charger	770.00
72-0314-MSHA-C	GX-2009 MSHA, 4 gas, CH4 / O2 / H2S / CO with alligator clip and 115 / 220 VAC charger	745.00



Instrument Price Includes

13-0112RK	Wrist strap
49-0115RK	115 / 220 VAC Adapter for charger, GX-6000/GX-2009/GX-2012/Gas Tracer/EAGLE 2/GX-8000/SC-8000
49-1609RK	Ni-MH battery set with hardware for GX-2009, set of 2 batteries
49-2170RK	Charging station base only, BC-2009

GX-2009 MSHA With 12 VDC Charger & Vehicle Plug

Part#	Description	Suggested Retail
72-0311-MSHA-A	GX-2009 MSHA, 3 gas, CH4 / O2 / CO with alligator clip, 12 VDC charger and vehicle plug	735.00
72-0316-MSHA-A	GX-2009 MSHA, 4 gas, CH4 / O2 / NO2 / CO with alligator clip, 12 VDC charger and vehicle plug	810.00
72-0314-MSHA-A	GX-2009 MSHA, 4 gas, CH4 / O2 / H2S / CO with alligator clip, 12 VDC charger and vehicle plug	760.00



Instrument Price Includes

13-0112RK	Wrist strap
49-1609RK	Ni-MH battery set with hardware for GX-2009, set of 2 batteries
49-2020RK	12 VDC Adapter for charger with vehicle plug (charger base not included), GX-2009/GX-2012/Gas Tracer/GX-6000
49-2170RK	Charging station base only, BC-2009

GX-2009 MSHA Four Gas Personal Monitor (Charger Not Included)

Part#	Description	Suggested Retail
72-0311-MSHA	GX-2009 MSHA, 3 gas, CH4 / O2 / CO with alligator clip, no charger	670.00
72-0314-MSHA	GX-2009 MSHA, 4 gas, CH4 / O2 / H2S / CO with alligator clip, no charger	650.00
72-0316-MSHA	GX-2009 MSHA, 4 gas, CH4 / O2 / NO2 / CO with alligator clip, no charger	745.00



Instrument Price Includes

13-0112RK	Wrist strap
49-1609RK	Ni-MH battery set with hardware for GX-2009, set of 2 batteries

Replacement Sensors

Part#	Description	Suggested Retail
ES-1821	Sensor, Carbon Monoxide (CO) 0-500 ppm for GX-2009/GX-2012/GX-6000/CO-03/GasWatch 2/Gas Tracer	140.00
ES-1826	Sensor, Nitrogen Dioxide (NO2) 0-20 ppm for GX-2009 MSHA	160.00
ES-18271	Sensor, Hydrogen Sulfide (H2S) 0-100 ppm for GX-2009/GX-2012/GX-6000/HS-03/GasWatch 2	140.00
NC-6264B	Sensor, Methane (CH4) 0-100% LEL for GX-2009 MSHA / GX-2012 CSA	140.00
OS-BM2	Sensor, Galvanic, Oxygen (O2) 0-25% Vol. for GX-2009/GX-2012/GasTracer/GX-6000/OX-03/GasWatch 3	120.00

Premier Portable Instruments

GX-2009 MSHA Calibration Kits

Instrument #	Cal-Kit Part #	Cal-Kit Description	Price
72-0311-MSHA 72-0311-MSHA-A 72-0311-MSHA-C 72-0318-MSHA-C	81-GX01CO	Cal kit, GX-2001/GX-2009, 103L steel cyl Methane/CO/O2, reg with gauge & knob, cal cap, case & tubing	360.00
	81-GX01CO-LV	Cal kit, GX-2001/GX-2009, 34L cyl Methane/CO/O2, reg with gauge & knob, cal cap, case & tubing	320.00
72-0314-MSHA 72-0314-MSHA-A 72-0314-MSHA-C	81-GX01HSCO	Cal kit, GX-2001/GX-2009, 58AL cyl Methane/H2S/CO/O2, reg with gauge & knob, cal cap, case & tubing	400.00
	81-GX01HSCO-LV	Cal kit, GX-2001/GX-2009, 34AL cyl Methane/H2S/CO/O2, reg with gauge & knob, cal cap, case & tubing	425.00
72-0316-MSHA 72-0316-MSHA-A 72-0316-MSHA-C	81-GX09CONO2	Cal kit, GX-2009 MSHA, 58AL cyl Methane/NO2/CO/O2, reg with gauge & knob, cal cap, case & tubing	530.00
	81-GX09CONO2-LV	Cal kit, GX-2009 MSHA, 34AL cyl Methane/NO2/CO/O2, reg with gauge & knob, cal cap, case & tubing	510.00

GX-2009 MSHA Accessories & Replacement Parts

Part#	Description	Suggested Retail
07-6017RK	Gasket for GX-2009 case, one each	2.50
07-6018RK	Gasket for buzzer hole, GX-2009	6.00
07-6019RK	Sensor chamber gasket for sensor retainer, GX-2009, 1 each	7.00
07-6021RK	Gasket, sensor retainer, 1 each	2.00
10-1098RK	Screw with split lock and flat washers for alligator or belt clip, GX-2009 and GX-6000, 1 each	0.50
10-1104RK	Screw for case or sensor retainer, M2 x 10 mm, GX-2001 or GX-2009, 1 each	0.25
13-0112RK	Wrist strap	4.00
13-0117RK	Belt clip, GX-2009, includes 3 installation screws	16.00
13-0119	Alligator clip with mounting screws, GX-2009	30.00
13-0119-01	Optional ring attachment for 13-0119 with installation screws	9.00
15-0523RK	Battery charger spring contacts for GX-2009 charger, BC-2009	2.20
20-0112RK-01	Padded carrying case for GX-3R, GX-3R Pro, or GX-2009 aspirator kit	120.00
20-0112RK-02	Padded carrying case for GX-3R, GX-3R Pro, or GX-2009, aspirator, and cal kit.	190.00
20-0115RK-01	Padded carrying case for one GX-3R, GX-3R Pro, GX-2009 or 03 series instrument and charger only	80.00
20-0116	Case with foam, generic for small portable instruments including 03/04 Series/GX-3R/GX-3R Pro/GX-2009	18.00
20-0324RK	Protective cover for GX-2009, vinyl	36.00
21-1880RK	Front case, GX-2009	57.00
21-1881RK	Case, rear, GX-2009	94.00
21-1882RK	Sensor retainer, GX-2009 (inner piece)	28.00
21-1883RK	Sensor case with PCB assembly, GX-2009	70.00
21-1884RK	Sensor cover, GX-2009 (outside piece)	10.00
21-1885RK	Sensor cap assembly, GX-2009 (8 parts)	68.00
24-5000RK	Flexible printed circuit (FPC), GX-2009	18.00
30-1054RK	Vibration motor for the GX-2009 and GX-6000	32.00
33-0172-100	Sensor Cover, water proof, sheet for 4 sensors, GX-2009, pack of 100 sheets	300.00
33-0172RK	Sensor Cover, water proof, sheet for 4 sensors, GX-2009, 1 each	6.00
33-1113RK	Metal mesh filter for buzzer hole, GX-2009, 1 each	6.00
33-7009	Silicone scrubber disk, 5 pack for GX-2009	13.00
33-7102RK	Filter, charcoal, for CO sensor, pack of 5, GX-2009/GX-2012/Gas Tracer/GX-6000	10.00
33-7114RK	Filter disk, H2S scrubber, strip of 5, for LEL sensor port, GP-01/GX-2001/GX-2009/GX-2012/Gas Tracer/GX-6000/GP-03	10.00
33-7117RK-01	Filter set for 1 instrument, 1 charcoal disk, 1 H2S scrubber, and 1 waterproof sensor cover for GX-2009	14.00
33-7117RK-05	Filter set for 5 instruments, 5 charcoal disk, 5 H2S scrubbers, & 5 waterproof sensor covers for GX-2009	60.00




Premier Portable Instruments

GX-2009 MSHA Accessories & Replacement Parts (continued)

Part#	Description	Suggested Retail
45-2430RK	Plug adapter for charger, US to Euro, non-grounded	3.60
46-3070RK	Connector for combining 2 charger bases (required to join chargers), BC-2009	14.00
47-5084RK-01	Downloading cable, USB / IrDA adapter, Windows XP, Windows 7, Windows 8, Windows 10, and Windows 11 compatible	230.00
49-0115RK	115 / 220 VAC Adapter for charger, GX-6000/GX-2009/GX-2012/Gas Tracer/EAGLE 2/GX-8000/SC-8000 ...	20.00
49-1050RK	Battery, memory backup, silver oxide, SR 616, 1.55 volts, GX-2009 and GX-6000, snaps in	10.00
49-1609RK	Ni-MH battery set with hardware for GX-2009, set of 2 batteries.....	80.00
49-2020RK	12 VDC Adapter for charger with vehicle plug (charger base not included), GX-2009/GX-2012/ Gas Tracer/GX-6000	24.00
49-2058RK-04	AC adapter 4 port charger for SDM-2009, SDM-2012, and SDM-03.....	88.00
49-2170RK	Charging station base only, BC-2009.....	75.00
49-2170RK-01	Charging station with 115 / 220 VAC power supply for single instrument, GX-2009	90.00
49-2170RK-02	Charging station with 115 / 220 VAC power supply for two instruments, GX-2009	170.00
49-2170RK-03	Charging station with 115 / 220 VAC power supply for three instruments, GX-2009	250.00
49-2170RK-04	Charging station with 115 / 220 VAC power supply for four instruments, GX-2009	330.00
49-2170RK-05	Charging station with 115 / 220 VAC power supply for five instruments, GX-2009	410.00
49-2171RK	Charging station with 12VDC adapter and vehicle adaptor plug for GX-2009 (single unit)	95.00
51-1119RK	LCD module assembly with flat cable for GX-2009	30.00
57-2052RK	PCB main assembly, GX-2009.....	250.00
65-7001RK	Dummy sensor for GX-2009, GX-2012, or GX-6000 empty sensor slots (LEL, O2, H2S, & CO)	5.00
81-0090RK-01	Cylinder, CO 50 ppm / CH4 50% LEL / O2 12 % in N2, 34L steel	55.00
81-0090RK-03	Cylinder, CO 50 ppm / CH4 50% LEL / O2 12 % in N2, 103L steel	150.00
81-0154RK-02	Cylinder, H2S 25 ppm / CO 50 ppm / CH4 50% LEL / O2 12% in N2, 58AL	190.00
81-0154RK-04	Cylinder, H2S 25 ppm / CO 50 ppm / CH4 50% LEL / O2 12% in N2, 34AL	160.00
81-0154RK-06-10	Bump test cylinder, H2S 40 ppm / CO 100 ppm / Methane 50% LEL / O2 12% in N2, 11AL aerosol with cal cup for GX-2009	75.00
81-0154RK-116	Cylinder, H2S 25 ppm / CO 50 ppm / CH4 50% LEL / O2 12% in N2, 116AL.....	320.00
81-0168RK-02	Cylinder, NO2 10 ppm / CO 50 ppm / O2 12% / CH4 2.5% in N2, 58AL (7 month shelf life)	295.00
81-0168RK-04	Cylinder, NO2 10 ppm / CO 50 ppm / O2 12% / CH4 2.5% in N2, 34AL (7 month shelf life)	220.00
81-1050RK	Regulator, with gauge & knob, 17/34L, 0.5 LPM, CGA 600 fitting.....	125.00
81-1051RK	Regulator, with gauge & knob, 34AL/58AL/103L steel, 0.5 LPM, C-10 fitting	125.00
81-1106RK	Sample adaptor for GX-2001 or GX-2009, rigid plastic, used with RP-6	26.00
81-1107RK	Cal cap for GX-2001 and GX-2009	17.00
81-1160RK	Hand aspirated sampler, with 10' hose and probe, GX-2001 or GX-2009	95.00
81-1160RK-20	Hand aspirated sampler, with 20' hose and probe, GX-2001 or GX-2009	99.00

Premier Portable Instruments

GX-Force Sample Draw Confined Space Monitor

Base Instrument	Gas Combo	Charger Option	Accessory Option	
72 - F	A	A	A10	
	Step 1	Step 2	Step 3	
	Gas Combo	Charger Option	Accessory Option	
	\$795.00	+	\$0.00	+
		\$70.00	=	\$865.00
				Total List Price

Step 1

Standard 4 gas sensors

A	LEL / O2 / CO / H2S (dual)	795.00
B	LEL / CO / H2S (dual)	795.00
C	LEL O2 / CO (-H2)	865.00
D	LEL / O2 / CO	795.00
E	LEL / O2 / H2S	795.00
F	O2 / CO / H2S (dual)	795.00
G	LEL / O2	745.00
H	LEL / H2S	770.00
I	LEL / CO	770.00
J	LEL / CO (-H2)	840.00
K	O2 / H2S	770.00
L	O2 / CO	770.00
M	O2 / CO (-H2)	840.00
N	CO / H2S (dual)	745.00
O	LEL only	720.00
P	O2 only	720.00
Q	H2S only	745.00
R	CO only	745.00
S	CO (-H2) only	815.00

Step 2

Charging option

A	AC adapter charger	0.00
B	DC adapter charger (Available Q3 2023)	0.00
C	AC and DC adapter chargers (Available Q3 2023)	50.00
D	No charger or USB-A to USB-C cable	-50.00

Step 3

Accessories

A5	5' hose and probe	65.00
A10	10' hose and probe	70.00
A15	15' hose and probe	75.00
A20	20' hose and probe	80.00
B	No hose and probe	0.00

Instrument Price Includes (with the exception of Charging Option D)

13-0112RK	Wrist strap	4.00
13-0130	Belt clip, GX-Force	16.00
17-1001RK	Tapered rubber inlet nozzle, 4", RP-3R/RP-2009/RP-6/GX-2003/GX-2012/Gas Tracer	8.00
47-5116	Data downloading cable, USB A to USB C for GX-Force	5.00

Premier Portable Instruments

GX-Force Common Configurations

Part#	Description	Suggested Retail
72-FA-A-A5	GX-Force, 4 gas, LEL / O2 / combo H2S & CO with Li-Ion battery, 100-240 VAC charger, belt clip, USB A to USB C data downloading cable, rubber nozzle, 5' hose with probe	860.00
72-FA-A-A10	GX-Force, 4 gas, LEL / O2 / combo H2S & CO with Li-Ion battery, 100-240 VAC charger, belt clip, USB A to USB C data downloading cable, rubber nozzle, 10' hose with probe	865.00
72-FA-C-A10	GX-Force, 4 gas, LEL / O2 / combo H2S & CO with Li-Ion battery, 100-240 VAC charger, 12-24 VDC charger, belt clip, USB A to USB C data downloading cable, rubber nozzle, 10' hose with probe	915.00

GX-Force Instrument Bundles (Instrument Included)

Part#	Description	Suggested Retail
72-FA-A-A10-50	GX-Force bundle, 4 sensors, LEL / O2 / H2S / CO unit with Li-Ion battery pack, and padded case	1,025.00
72-FA-A-A10-51	GX-Force bundle, 4 sensors, LEL / O2 / H2S / CO unit with Li-Ion battery pack, 34AL cyl H2S/CO/O2/CH4, demand flow regulator, tubing and padded case	1,425.00



72-FA-A-A10-51

GX-Force Replacement Sensors

Part#	Description	Suggested Retail
NCR-6309	Sensor, LEL 0-100% for GX-3R / GX-3R Pro / GX-Force	150.00
ESR-X13P-OXY	Sensor, Oxygen (O2) 0-25% vol for GX-3R / GX-3R Pro / GX-Force	150.00
ESR-A1DP-COHS	Sensor, CO/H2S combination, CO 0-2000 ppm, H2S 0-200 ppm for GX-3R / GX-3R Pro / GX-Force / GasWatch 3 / 04 Series	240.00
ESR-A1CP-CO-H	Sensor, Carbon Monoxide (CO) 0-2000 ppm with H2 compensation for GX-3R / GX-3R Pro / GX-Force / GasWatch 3 / 04 Series	240.00
ESR-A13P-CO	Sensor, Carbon Monoxide (CO) 0-2000 ppm for GX-3R / GX-3R Pro / GX-Force / GasWatch 3 / 04 Series	150.00
ESR-A13i-H2S	Sensor, Hydrogen Sulfide (H2S) 0-200 ppm for GX-3R / GX-3R Pro / GX-Force / GasWatch 3 / 04 Series	150.00



H2S/CO
ESR-A1DP-COHS



O2
ESR-X13P-OXY



LEL
NCR-6309

GX-Force Calibration Kits

Instrument #	Cal-Kit Part #	Cal-Kit Description	Price
72-FA 72-FB 72-FE 72-FH	81-GXFA	Cal kit, GX-Force, 58AL cyl H2S 25 ppm / CO 50 ppm / CH4 50% LEL / O2 12% in N2, demand flow regulator, case & tubing	535.00
72-FD 72-FG 72-FI 72-FL	81-GXFD	Cal kit, GX-Force, 103L cyl CO 50 ppm / CH4 50% LEL / O2 12% in N2, demand flow regulator, case & tubing	495.00

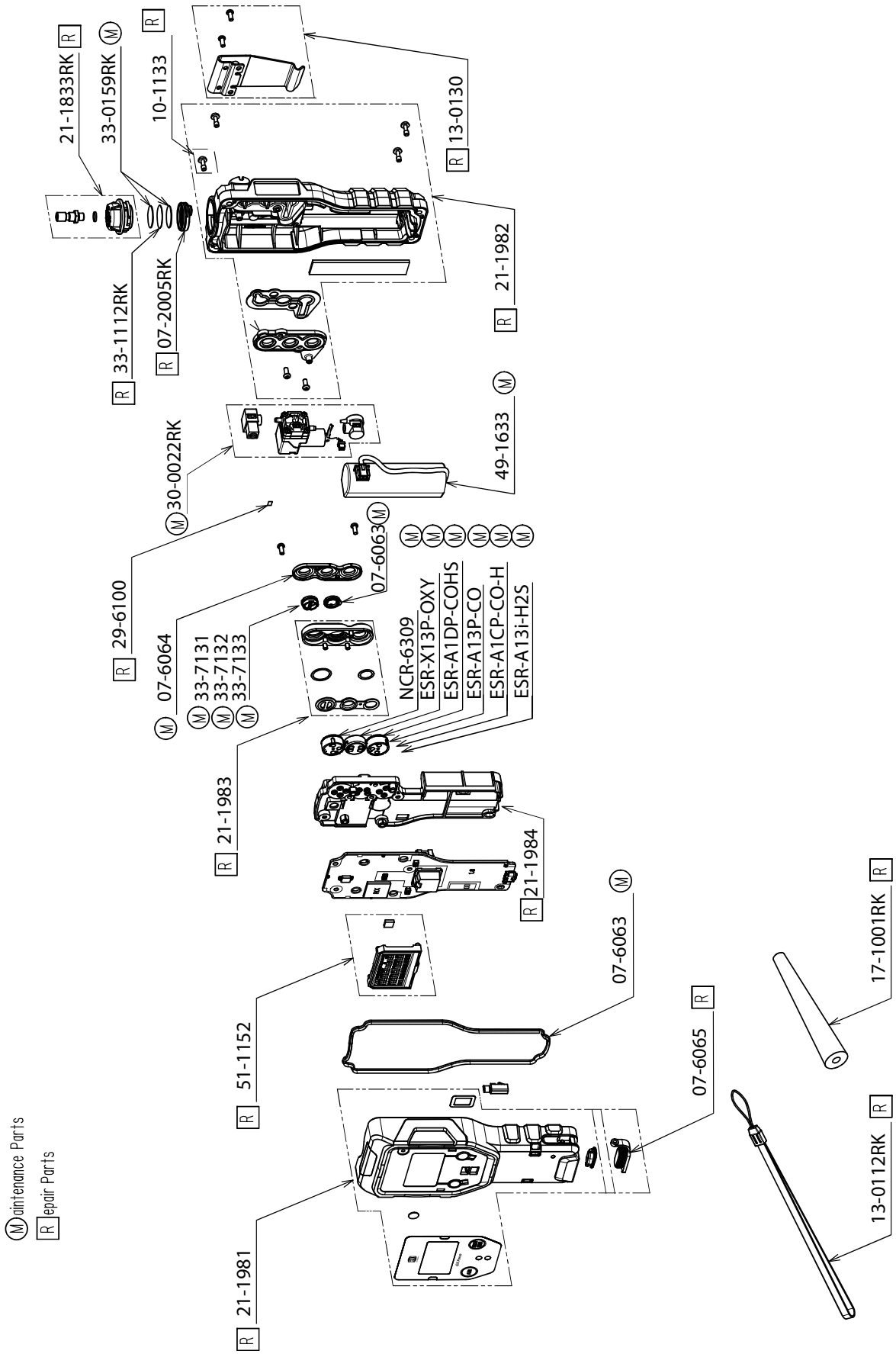
Premier Portable Instruments

GX-Force Replacement Parts & Accessories

Part#	Description	Suggested Retail
06-1248RK-03	Calibration kit tubing, polyurethane, 3/16" ID x 5/16" OD, 3 feet	4.50
07-2005RK	Gasket, filter/screen retaining, RP-3R / RP-2009 / RP-6 / GX-2003 / GX-2012 / Gas Tracer / GX-Force.....	15.00
07-6063	Gasket between front and back case, GX-Force	5.00
07-6064	Filter gasket, GX-Force	2.00
07-6065	Charger port rubber cover, GX-Force	3.00
10-1133	Screw, M3 x 8mm, pan head, philips, captive, SUS304	2.00
13-0112RK	Wrist strap	4.00
13-0130	Belt clip, GX-Force	16.00
17-1001RK	Tapered rubber inlet nozzle, 4", RP-3R/RP-2009/RP-6/GX-2003/GX-2012/Gas Tracer	8.00
21-1833RK	Filter holder, clear plastic, RP-3R/RP-2009/GX-2003/GX-2012/Gas Tracer/GX-6000	12.80
21-1982	Back case assembly, includes captive screws (does not include filter/inlet port), GX-Force	27.00
21-1983	Sensor retainer, GX-Force	8.00
21-1984	White chassis for battery and pump, GX-Force	4.00
29-6100	Water immersion sensing seal, adhesive backed for 03 series, GX-6000, SP-220, and GX-Force	10.00
33-0159RK	Teflon filter disk, 10 pieces, RP-3R/RP-2009/RP-6/GX-2003/GX-2012/Gas Tracer/GX-6000/ NC-1000/GX-Force	24.00
33-1112RK	Wire mesh disk filter, RP-3R/RP-2009/RP-6/GX-2003/GX-2012/Gas Tracer/GX-6000/GX-Force, 10 pack ...	15.00
33-7130	Scrubber disk filter for CO/H2S sensor (pack of 5) for GX-3R / GX-3R Pro / GX-Force	26.00
33-7131	Scrubber disk filter for combustible sensor, CF-6309 (5pcs/pack)	26.00
33-7132	Scrubber disk filter, charcoal, for CO & H2 comp CO sensor, CF-A1CP (pack of 5), (not used on CO/H2S combo sensor) for GX-3R / GX-3R Pro / GX-Force	26.00
33-7133	Humidity filter disk for H2S or PH3 sensor, CF-A13i (pack of 5) for GX-3R/GX-3R Pro/04 Series/GX-Force...	35.00
47-5116	Data downloading cable, USB A to USB C for GX-Force	5.00
49-0139	AC adapter, 100 - 240 VAC in, 5.0 VDC 3A out, USB-C connection, charger for GX-Force	50.00
49-1633	Battery pack, Li-Ion, GX-Force	78.00
49-2022	DC adapter, with vehicle plug and 4ft cable, 12-24 VDC in, 5.0 VDC out, charger for GX-Force	50.00
51-1152	LCD module, GX-Force	36.00
65-7004	Dummy sensor for GX-3R/GX-3R Pro/GX-Force	5.00
80-0009RK-10	Hose, 10', polyurethane, GX-2012/Gas Tracer/GX-Force/GX-2003/RP-3R/RP-3R/RP-2009	36.00
80-0009RK-15	Hose, 15', polyurethane, GX-2012/Gas Tracer/GX-Force/GX-2003/RP-3R/RP-2009	38.00
80-0009RK-20	Hose, 20', polyurethane, GX-2012/Gas Tracer/GX-Force/GX-2003/RP-3R/RP-3R/RP-2009	40.00
80-0009RK-25	Hose, 25', polyurethane, GX-2012/Gas Tracer/GX-Force/GX-2003/RP-3R/RP-3R/RP-2009	42.00
80-0172	Probe with hydrophobic filter, dust filter, no scrubber section, for GX-6000/ (not for Cl2 use) / GX-8000/RX-8000/GX-Force/GX-2012/GasTracerGX-2001/GX-2003/RP-3R.....	35.00
80-0404RK	Dilution fitting, 50:50 for GX-2003/-2012/Gas Tracer/GX-Force/RP-2009/RP-6/RP-3R.....	95.00
81-0000RK-51	Cylinder, H2, 200 ppm in air, 34L steel	55.00
81-0090RK-01	Cylinder, CO 50 ppm / CH4 50% LEL / O2 12 % in N2, 34L steel	55.00
81-0090RK-03	Cylinder, CO 50 ppm / CH4 50% LEL / O2 12 % in N2, 103L steel	150.00
81-0154RK-02	Cylinder, H2S 25 ppm / CO 50 ppm / CH4 50% LEL / O2 12% in N2, 58AL	190.00
81-0154RK-04	Cylinder, H2S 25 ppm / CO 50 ppm / CH4 50% LEL / O2 12% in N2, 34AL	160.00
81-1054RK-H2S	Regulator, demand flow for standard 4-gas in 34AL/58AL/103L/116L cylinders	240.00
81-1055RK	Regulator, demand flow for 17L/34L steel steel cylinders	280.00
ESR-A13i-H2S	Sensor, Hydrogen Sulfide (H2S) 0-200 ppm for GX-3R / GX-3R Pro / GX-Force / GasWatch 3 / 04 Series ...	150.00
ESR-A13P-CO	Sensor, Carbon Monoxide (CO) 0-2000 ppm for GX-3R / GX-3R Pro / GX-Force / GasWatch 3 / 04 Series ...	150.00
ESR-A1CP-CO-H	Sensor, Carbon Monoxide (CO) 0-2000 ppm with H2 compensation for GX-3R / GX-3R Pro / GX-Force / GasWatch 3 / 04 Series	240.00
ESR-A1DP-COHS	Sensor, CO/H2S combination, CO 0-2000 ppm, H2S 0-200 ppm for GX-3R / GX-3R Pro / GX-Force / GasWatch 3 / 04 Series	240.00
ESR-X13P-OXY	Sensor, Oxygen (O2) 0-25% vol for GX-3R / GX-3R Pro / GX-Force	150.00
NCR-6309	Sensor, LEL 0-100% for GX-3R / GX-3R Pro / GX-Force	150.00

Premier Portable Instruments

GX-Force Spare Parts Diagram



Premier Portable Instruments

GX-2012 Five Sensor Sample Draw Confined Space Monitor

Combustibles (CH4 Standard)	% Volume CH4	O2	H2S	CO
Catalytic combustion	Thermal Conductivity	Galvanic Cell	Electrochemical Cell	
0 ~ 100% LEL	0 ~ 100% Vol.	0 ~ 40% Vol.	0 ~ 100 ppm	0 ~ 500 ppm



Part Number Structure

72-0290-
XX
-
Y

Step 1 - Choose Base Model

Part#	Description	Suggested Retail
72-0290-18-__	GX-2012, 3 sensor, LEL / % volume CH4 / O2 base, choose battery option	995.00
72-0290-23-__	GX-2012, 4 sensor, LEL / % volume CH4 / O2 / CO base, choose battery option	1,045.00
72-0290-24-__	GX-2012, 4 sensor, LEL / % volume CH4 / O2 / H2S base, choose battery option	1,045.00
72-0290-27-__	GX-2012, 5 sensor, LEL / % volume CH4 / O2 / H2S / CO base, choose battery option	1,095.00

Step 2 - Choose Battery Option

Add Battery Option letter below to the end of the Base Model part # and add price to the Base Model price.

A	Alkaline battery pack only	0.00
B	Alkaline and Li-Ion battery packs with 100-240 VAC Charger	260.00
C	Li-Ion battery pack only with 100-240 VAC charger (Alkaline battery pack not included)	200.00
D	Li-Ion battery pack only with 12 VDC charger (Alkaline battery pack not included)	200.00
E	Alkaline and Li-Ion battery packs with 12 VDC Charger	260.00
F	Li-Ion battery pack only with 100-240 VAC / 12 VDC Charger (Alkaline battery pack not included)	220.00
G	Alkaline and Li-Ion battery packs with 100-240 VAC / 12 VDC charger	280.00
H	Li-Ion battery pack only with no charger	150.00

Ex: 72-0290-27-C is GX-2012, 5 sensors, LEL / % Vol. CH4 / O2 / H2S / CO, with 100-240 VAC charger and Li-Ion battery pack
(Alkaline battery pack is not included with this example)

Part#	Description	Suggested Retail
72-0290-27-C	GX-2012, 5 sensors, LEL / % Vol. CH4 / O2 / H2S / CO, with 100-240 VAC charger and Li-Ion battery pack	1,295.00

Instrument Price Includes

10' hose, probe, and Quick Reference Card. The battery and charger (if applicable) option selected above is also included.

Premier Portable Instruments

GX-2012 Replacement Sensors

Part#	Description	Suggested Retail
ES-1821	Sensor, Carbon Monoxide (CO) 0-500 ppm for GX-2009/GX-2012/GX-6000/CO-03/GasWatch 2/Gas Tracer	140.00
ES-18271	Sensor, Hydrogen Sulfide (H2S) 0-100 ppm for GX-2009/GX-2012/GX-6000/HS-03/GasWatch 2	140.00
NC-6264A	Sensor, Methane (CH4) 0-100% LEL for GX-2009/GX-2012/GX-6000/GP-03/Gas Tracer	120.00
NC-6264AZX	Sensor, Methane (CH4) 0-100% LEL, silicone resistant, for GX-2009/GX-2012/GX-6000/GX-2001/GX-2003/ Gas Tracer/GP-01	130.00
OS-BM2	Sensor, Galvanic, Oxygen (O2) 0-25% Vol. for GX-2009/GX-2012/GasTracer/GX-6000/OX-03/GasWatch 3	120.00
TE-7561	Sensor, TC, % volume, GX-2003/GX-2012/Gas Tracer	160.00

GX-2012 Calibration Kits

Instrument #	Cal-Kit Part #	Cal-Kit Description	Price
72-0290-08 72-0290-10 72-0290-12 72-0290-17	81-GX03CO	Cal kit, GX-2003/GX-2012, 103L steel cyl CO/CH4/O2 in N2, dem flow reg, case & tubing	455.00
	81-GX03CO-DLV	Cal kit, GX-2003/GX-2012, 34L cyl CO/CH4/O2, dem flow reg, case & tubing	455.00
	81-GX03CO-LV	Cal kit, GX-2003/GX-2012, 34L cyl CO/CH4/O2 in N2, dispensing valve, gas bag, case & tubing	240.00
72-0290-09 72-0290-16 72-0290-22	81-GX03HSCO	Cal kit, GX-2003/GX-2012, 58AL cyl H2S (25 ppm)/CO/CH4/O2, dem flow reg, case & tubing	495.00
	81-GX03HSCO-DLV	Cal kit, GX-2003/GX-2012, 34AL cyl H2S (25 ppm)/CO/CH4/O2, dem flow reg, case & tubing	520.00
	81-GX03HSCO-LV	Cal kit, GX-2003/GX-2012, 34AL cyl H2S (25 ppm)/CO/CH4/O2, reg with gauge & knob, gas bag, case & tubing	435.00
72-0290-11 72-0290-18 72-0290-19 72-0290-23	81-GX12VCO-DLV	Cal kit, GX-2012, 34L cyl CO/CH4/O2, 34L 50% vol CH4, dem flow reg, case & tubing	510.00
72-0290-24 72-0290-27	81-GX03VHSCO	Cal kit, GX-2003/GX-2012, 58AL cyl H2S (25 ppm)/CO/CH4/O2, 58L 100% vol. CH4, dem flow reg, case & tubing	645.00
	81-GX03VHSCO-LV	Cal kit, GX-2003/GX-2012, 34AL cyl H2S (25 ppm)/CO/CH4/O2, 58L cyl 100% vol. CH4, reg with gauge & knob, disp valve, gas bag, case & tubing	585.00
	81-GX03VHSCODLV	Cal kit, GX-2003/GX-2012, 34AL cyl H2S (25 ppm)/CO/CH4/O2, 58L cyl 100% vol. CH4, 1 dem flow reg, case & tubing	670.00

Premier Portable Instruments

SDM-2012 Calibration Station

ORDERING INFORMATION: When ordering an SDM-2012 calibration station, please specify the following components:

- 1) Select the docking station part number based on your calibration needs (calibration gas cylinder, regulator, or unit only).
- 2) Select any other calibration gas cylinder you may need.



&

SDM-2012

<u>Part#</u>	<u>Description</u>	<u>Suggested Retail</u>
81-SDM2012-01	Single point calibration station for GX-2012 and Gas Tracer, model SDM-2012 with AC Adaptor, flash drive, USB cable, & tubing ...	1,280.00
81-SDM2012-02	Single point calibration station for GX-2012 and Gas Tracer, model SDM-2012 with AC Adaptor, flash drive, USB cable, tubing, demand flow regulator	1,520.00
81-SDM2012-03	Single point calibration station for GX-2012, model SDM-2012 with AC Adaptor, flash drive, USB cable, tubing, demand flow regulator & 58AL cyl H2S (25 ppm)/CO/CH4/O2	1,710.00
81-SDM2012-04	Single point calibration station for GX-2012, model SDM-2012 with AC Adaptor, flash drive, USB cable, tubing, demand flow regulator, 58AL cyl H2S (25 ppm)/CO/CH4/O2 & 58L steel cyl Methane 100% volume	1,860.00
81-SDM2012-05	Single point calibration station for GX-2012, model SDM-2012 with AC Adaptor, flash drive, USB cable, tubing, two demand flow regulators, 58AL cyl H2S (25 ppm)/CO/CH4/O2 & 58L steel cyl Methane 100% volume	2,100.00

SDM-2012 Calibration Gases & Equipment

<u>Part#</u>	<u>Description</u>	<u>Suggested Retail</u>
32-0031RK-01	Valve with hose barbs and sample tube for two cylinders to connect to a single calibration station gas port	140.00
32-0211RK	Solenoid Valve, 3-Way, aluminum, multi-purpose, 12VDC, 1 Watt	72.00
33-0167RK	Filter, particulate, CF-8369	25.00
49-0115RK	115 / 220 VAC Adapter for charger, GX-6000/GX-2009/GX-2012/Gas Tracer/EAGLE 2/GX-8000/SC-8000 ...	20.00
49-2058RK-04	AC adapter 4 port charger for SDM-2009, SDM-2012, and SDM-03	88.00
81-0016RK-05	Cylinder, CH4 100% volume 58L steel	150.00
81-0090RK-01	Cylinder, CO 50 ppm / CH4 50% LEL / O2 12 % in N2, 34L steel	55.00
81-0090RK-03	Cylinder, CO 50 ppm / CH4 50% LEL / O2 12 % in N2, 103L steel	150.00
81-0154RK-02	Cylinder, H2S 25 ppm / CO 50 ppm / CH4 50% LEL / O2 12% in N2, 58AL	190.00
81-0154RK-04	Cylinder, H2S 25 ppm / CO 50 ppm / CH4 50% LEL / O2 12% in N2, 34AL	160.00
81-0154RK-116	Cylinder, H2S 25 ppm / CO 50 ppm / CH4 50% LEL / O2 12% in N2, 116AL	320.00
81-1054RK	Regulator, demand flow for 34AL/58AL/103L/116L cylinders	280.00
82-6050RK	USB Hub, 4 port 2.0 for SDM-03/SDM-2009/SDM-2012	30.00
82-6051RK	USB Hub, 7 port 2.0 for SDM-03/SDM-2009/SDM-2012	90.00
82-6105RK	USB flash drive, 1 GB, for calibration stations	25.00

Premier Portable Instruments

GX-2012 Replacement Parts & Accessories

Part#	Description	Suggested Retail
06-1248RK-03	Calibration kit tubing, polyurethane, 3/16" ID x 5/16" OD, 3 feet	4.50
07-2005RK	Gasket, filter/screen retaining, RP-3R / RP-2009 / RP-6 / GX-2003 / GX-2012 / Gas Tracer / GX-Force	15.00
07-6000RK	O-ring for inlet fitting of RP-3R/RP-2009/RP-6/GX-2003/GX-2012/Gas Tracer	1.00
07-6024RK	Battery pack gasket, GX-2012 / Gas Tracer	15.00
07-6025RK	Main case gasket, GX-2012 / Gas Tracer	6.00
07-6026RK	Sensor gasket, GX-2012 / Gas Tracer	6.00
10-1092RK	Truss screw M2 x 5	0.25
10-1093RK	Screw M2 x 6	0.75
13-0112RK	Wrist strap	4.00
13-0118RK	Belt clip, GX-2012 / Gas Tracer	24.00
17-1000RK	Inlet fitting (also needs o-ring 07-6000RK) for RP-3R/RP-6	8.80
17-1001RK	Tapered rubber inlet nozzle, 4", RP-3R/RP-2009/RP-6/GX-2003/GX-2012/Gas Tracer	8.00
17-4430RK-01	Bypass tee probe w/GX-7 quick disconnect,for GX-2003 / GX-2012/Gas Tracer purge sampling	22.00
20-0110RK-01	Case for 1-3 cylinders,17/34L/34AL, with foam	120.00
20-0112RK-03	Case with foam, for GX-2003 with accessories & cal kit with one cylinder	200.00
20-0114RK-01	Case with foam, for GX-2003 with accessories & cal kit with 2 cylinders	220.00
21-1833RK	Filter holder, clear plastic, RP-3R/RP-2009/GX-2003/GX-2012/Gas Tracer/GX-6000	12.80
21-1889RK	Main case assembly, GX-2012	154.00
21-1890RK	Top cover assembly, GX-2012/Gas Tracer	76.00
21-1892RK	Sensor cap assembly, GX-2012/Gas Tracer	76.00
30-0022RK	Pump replacement for GX-2012/Gas Tracer/RP-3R/RP-2009/GX-6000/FP-31/NC-1000, with cable and connector	140.00
31-0023RK-02	Flowmeter, 0.2 - 2.0 SCFH, with valve and hosebarb fitting for GX-2012 / GX-6000 flow measurement	180.00
33-0159RK	Teflon filter disk, 10 pieces, RP-3R/RP-2009/RP-6/GX-2003/GX-2012/Gas Tracer/GX-6000/NC-1000/GX-Force	24.00
33-1031RK	Cotton balls, filters for probe, bag of 25 (For 80-0150RK old style probe)	4.00
33-1036RK	Filter body, plastic, for 80-0150RK probe	6.00
33-1112RK	Wire mesh disk filter, RP-3R/RP-2009/RP-6/GX-2003/GX-2012/Gas Tracer/GX-6000/GX-Force, 10 pack	15.00
33-3013	Filter element, particle, polypropylene/polyethylene for GX-6000, GX-2012, Gas Tracer, GX-2001, GX-2003, RP-3R probe, (not for Cl2)	2.00
33-3013-10	Filter element, particle, polypropylene/polyethylene for GX-6000, GX-2012, Gas Tracer, GX-2001, GX-2003, RP-3R probe, (not for Cl2) pack of 10	20.00
33-7102RK	Filter, charcoal, for CO sensor, pack of 5, GX-2009/GX-2012/Gas Tracer/GX-6000	10.00
33-7114RK	Filter disk, H2S scrubber, strip of 5, for LEL sensor port, GP-01/GX-2001/GX-2009/GX-2012/ Gas Tracer/GX-6000/GP-03	10.00
45-2430RK	Plug adapter for charger, US to Euro, non-grounded	3.60
47-5084RK-01	Downloading cable, USB / IrDA adapter, Windows XP, Windows 7, Windows 8, Windows 10, and Windows 11 compatible	230.00
49-0115RK	115 / 220 VAC Adapter for charger, GX-6000/GX-2009/GX-2012/Gas Tracer/EAGLE 2/GX-8000/SC-8000	20.00
49-1120RK	Size AA alkaline battery	1.40
49-1320RK	Battery, Ni-MH, AA	4.00
49-1406RK	Battery, lithium, CR 1220, for main PCB for GX-2012, Gas Tracer, GP-1000, & NC-1000, snap in type	4.40
49-1615RK	Battery pack, lithium ion, GX-2012 / Gas Tracer, BUL-2012	175.00
49-1616RK	Alkaline Battery pack without batteries with gasket, GX-2012 / Gas Tracer	120.00
49-1616RK-01	Alkaline Battery pack cover with gasket, GX-2012 / Gas Tracer	30.00
49-2020RK	12 VDC Adapter for charger with vehicle plug (charger base not included), GX-2009/GX-2012/ Gas Tracer/GX-6000	24.00
49-2058RK-04	AC adapter 4 port charger for SDM-2009, SDM-2012, and SDM-03	88.00
49-2180RK	Charging station only, for Li-Ion battery pack, no AC adapter for GX-2012/Gas Tracer	70.00
49-2180RK-01	Charging station with AC adapter, for Li-Ion battery pack, 110/115/220 VAC, for GX-2012/Gas Tracer	85.00
49-2181RK	Charging station with 12 VDC vehicle plug adapter for Li-Ion battery pack, for GX-2012/Gas Tracer	90.00
49-3105RK	Charger, Ni-MH, charges four AA or AAA size with A/C adapter and DC vehicle plug	45.00
49-3106RK	Charger, Ni-MH, charges twelve AA or AAA size with A/C adapter and DC vehicle plug	75.00
51-1125RK	LCD display, GX-2012 / Gas Tracer	60.00
57-2041RK	Sensor PC board assembly, GX-2012	88.00
57-2043RK	CPU PC board assembly, GX-2012	640.00
65-7001RK	Dummy sensor for GX-2009, GX-2012, or GX-6000 empty sensor slots (LEL, O2, H2S, & CO)	5.00
71-0239RK	GX-2012 CSA Operator's Manual	0.00
71-0245RK	GX-2012 Data Logger Management Program Operator's Manual	0.00

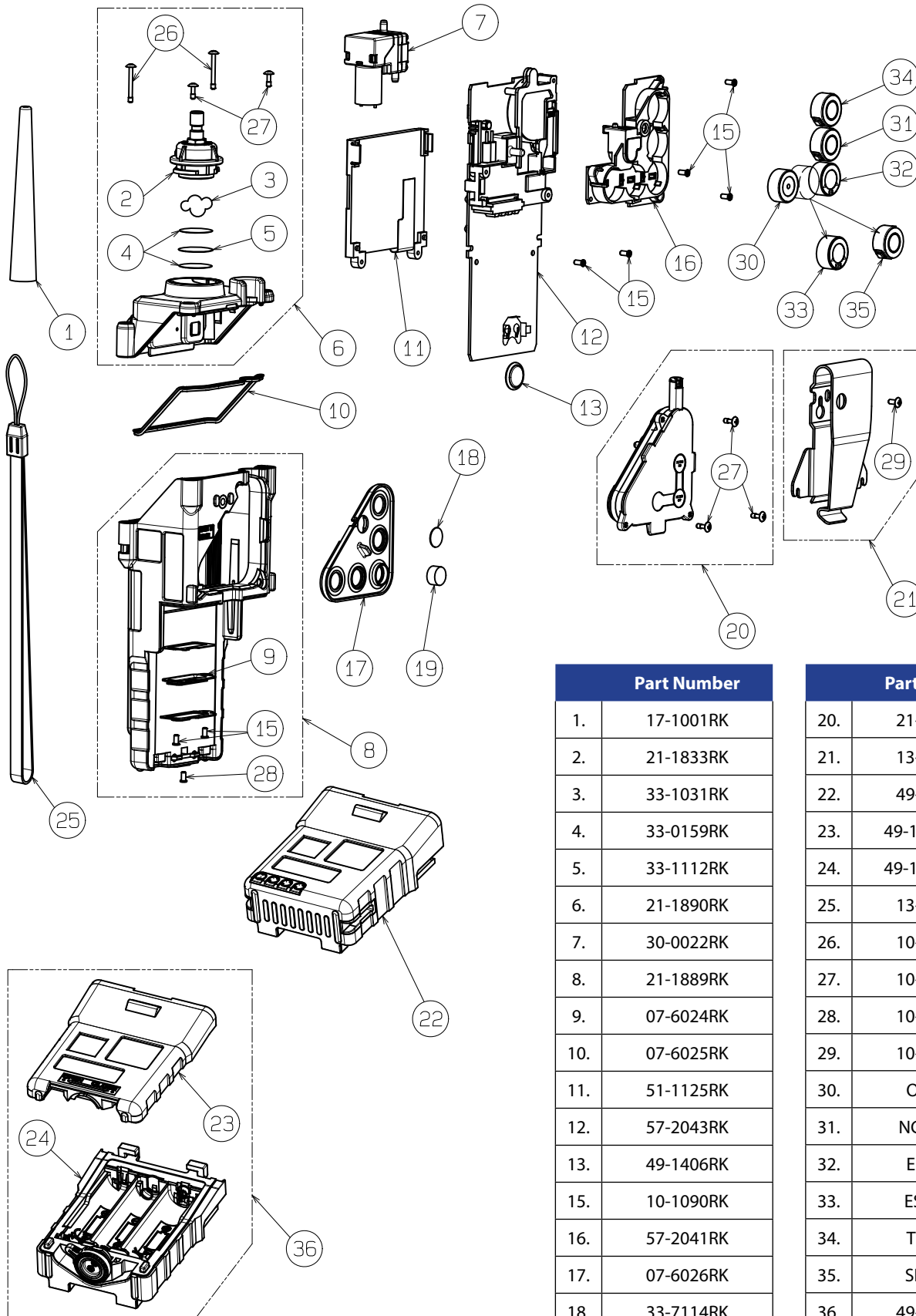
Premier Portable Instruments

GX-2012 Replacement Parts & Accessories

Part#	Description	Suggested Retail
80-0009RK-10	Hose, 10', polyurethane, GX-2012/Gas Tracer/GX-Force/GX-20003/RP-3R/RP-3R/RP-2009	36.00
80-0009RK-15	Hose, 15', polyurethane, GX-2012/Gas Tracer/GX-20003/RP-3R/RP-2009	38.00
80-0009RK-20	Hose, 20', polyurethane, GX-2012/Gas Tracer/GX-20003/RP-3R/RP-2009	40.00
80-0009RK-25	Hose, 25', polyurethane, GX-2012/Gas Tracer/GX-20003/RP-3R/RP-2009	42.00
80-0009RK-30	Hose, 30', polyurethane, GX-2012/Gas Tracer/GX-20003/RP-3R/RP-2009	46.00
80-0009RK-40	Hose, 40', polyurethane, GX-2012/Gas Tracer/GX-20003/RP-3R/RP-2009	54.00
80-0009RK-50	Hose, 50', polyurethane, GX-2012/Gas Tracer/GX-20003/RP-3R/RP-2009	72.00
80-0009RK-75	Hose, 75', polyurethane, GX-2012/Gas Tracer/GX-20003/RP-3R/RP-2009	86.00
80-0009RK-99	Hose, 100', polyurethane, RKI style, GX-2012/Gas Tracer/GX-20003/RP-3R/RP-2009	98.00
80-0101RK	Hose with floating head, 8 meters (25 feet), with GX-/RX- series	100.00
80-0138RK	Stainless steel probe, 4 feet with filter for GX-2012	190.00
80-0140RK	Extendable probe, 32" (collapsible), fiberglass with filter for GX-2003/GX-2012/Gas Tracer	84.00
80-0144RK	Extendable probe, 7' (collapsible to 2'), fiberglass with filter for GX-2003/GX-2012/Gas Tracer	88.00
80-0155RK	Probe assembly, 30", aluminum, with cotton ball filter, for GX-2003/GX-2012/Gas Tracer	76.00
80-0157RK	Bar hole probe, 30" fiberglass for GX-2003/GX-2012/Gas Tracer	70.00
80-0161RK	Flexible 10" probe tube without instrument adapter, clear plastic	40.00
80-0161RK-24	Flexible 24" probe tube without instrument adapter, clear plastic	45.00
80-0162RK	Flexible 10" probe tube with female quick-connect (attaches to instrument)	75.00
80-0162RK-24	Flexible 24" probe tube with female quick-connect (attaches to instrument)	75.00
80-0172	Probe with hydrophobic filter, dust filter, no scrubber section, for GX-6000/ (not for Cl2 use) / GX-8000/RX-8000/GX-Force/GX-2012/GasTracerGX-2001/GX-2003/RP-3R	35.00
80-0225RK	Hydrophobic filter, in line, ACRO - 50 with fittings for GX-7/GX-2001/GX-2003/GX-2012/ Gas Tracer and RX-415	75.00
80-0404RK	Dilution fitting, 50:50 for GX-2003/-2012/Gas Tracer/GX-Force/RP-2009/RP-6/RP-3R	95.00
81-0016RK-05	Cylinder, CH4 100% volume 58L steel	150.00
81-0090RK-01	Cylinder, CO 50 ppm / CH4 50% LEL / O2 12 % in N2, 34L steel	55.00
81-0090RK-03	Cylinder, CO 50 ppm / CH4 50% LEL / O2 12 % in N2, 103L steel	150.00
81-0154RK-02	Cylinder, H2S 25 ppm / CO 50 ppm / CH4 50% LEL / O2 12% in N2, 58AL	190.00
81-0154RK-04	Cylinder, H2S 25 ppm / CO 50 ppm / CH4 50% LEL / O2 12% in N2, 34AL	160.00
81-0154RK-06-11	Bump test cylinder, H2S 40 ppm / CO 100 ppm / Methane 50% LEL / O2 12% in N2, 11AL aerosol, with red plastic straw and gas bag for GX-2012	75.00
81-0154RK-116	Cylinder, H2S 25 ppm / CO 50 ppm / CH4 50% LEL / O2 12% in N2, 116AL	320.00
81-1050RK	Regulator, with gauge & knob, 17/34L, 0.5 LPM, CGA 600 fitting	125.00
81-1051RK	Regulator, with gauge & knob, 34AL/58AL/103L steel, 0.5 LPM, C-10 fitting	125.00
81-1054RK	Regulator, demand flow for 34AL/58AL/103L/116L cylinders	280.00
81-1055RK	Regulator, demand flow for 17L/34L steel steel cylinders	280.00

Premier Portable Instruments

GX-2012 Spare Parts Diagram



Part Number	
1.	17-1001RK
2.	21-1833RK
3.	33-1031RK
4.	33-0159RK
5.	33-1112RK
6.	21-1890RK
7.	30-0022RK
8.	21-1889RK
9.	07-6024RK
10.	07-6025RK
11.	51-1125RK
12.	57-2043RK
13.	49-1406RK
15.	10-1090RK
16.	57-2041RK
17.	07-6026RK
18.	33-7114RK
19.	33-7102RK

Part Number	
20.	21-1892RK
21.	13-0118RK
22.	49-1615RK
23.	49-1616RK-01
24.	49-1616RK-02
25.	13-0112RK
26.	10-1108RK
27.	10-1093RK
28.	10-1091RK
29.	10-1092RK
30.	OS-BM2
31.	NC-6264A
32.	ES-1821
33.	ES-1827I
34.	TE-7561
35.	SH-8641
36.	49-1616RK

Premier Portable Instruments

GX-2012 Five Sensor Sample Draw Confined Space Monitor with CSA Approval

Combustibles (CH4 Standard)	% Volume CH4	O2	H2S	CO
Catalytic combustion	Thermal Conductivity	Galvanic Cell	Electrochemical Cell	
0 ~ 100% LEL	0 ~ 100% Vol.	0 ~ 40% Vol.	0 ~ 100 ppm	0 ~ 500 ppm



Part Number Structure

Gas Configuration **Battery Option**
72-0292- **XX** - **Y**

Step 1 - Choose Base Model

<u>Part#</u>	<u>Description</u>	<u>Suggested Retail</u>
72-0292-18-__	GX-2012, 3 sensor, LEL / % volume CH4 / O2 base, choose battery option	995.00
72-0292-23-__	GX-2012, 4 sensor, LEL / % volume CH4 / O2 / CO base, choose battery option	1,045.00
72-0292-24-__	GX-2012, 4 sensor, LEL / % volume CH4 / O2 / H2S base, choose battery option	1,045.00
72-0292-27-__	GX-2012, 5 sensor, LEL / % volume CH4 / O2 / H2S / CO base, choose battery option	1,095.00

Step 2 - Choose Battery Option

Add Battery Option letter below to the end of the Base Model part # and add price to the Base Model price.

A	Alkaline battery pack only	0.00
B	Alkaline and Li-Ion battery pack with 100-240 VAC Charger	260.00
C	Li-Ion battery pack only with 100-240 VAC charger (Alkaline battery pack not included)	200.00
D	Li-Ion battery pack only with 12 VDC charger (Alkaline battery pack not included)	200.00
E	Alkaline and Li-Ion battery pack with 12 VDC Charger	260.00
F	Li-Ion battery pack only with 100-240 VAC / 12 VDC Charger (Alkaline battery pack not included)	220.00
G	Alkaline and Li-Ion battery pack with 100-240 VAC / 12 VDC charger	280.00
H	Li-Ion battery pack only with no charger	150.00

Ex: 72-0292-27-C is GX-2012, 5 sensors, LEL / % Vol. CH4 / O2 / H2S / CO, with 100-240 VAC charger and Li-Ion battery pack
 (Alkaline battery pack is not included with this example)

<u>Part#</u>	<u>Description</u>	<u>Suggested Retail</u>
72-0292-27-C	GX-2012, 5 sensors, LEL / % Vol. CH4 / O2 / H2S / CO, with 100-240 VAC charger and Li-Ion battery pack	1,295.00

Instrument Price Includes

10' hose, probe, and Quick Reference Card. The battery and charger (if applicable) option selected above is also included.

Premier Portable Instruments

GX-2012 CSA Replacement Sensors

Part#	Description	Suggested Retail
ES-1821	Sensor, Carbon Monoxide (CO) 0-500 ppm for GX-2009/GX-2012/GX-6000/CO-03/GasWatch 2/Gas Tracer	140.00
ES-18271	Sensor, Hydrogen Sulfide (H2S) 0-100 ppm for GX-2009/GX-2012/GX-6000/HS-03/GasWatch 2	140.00
NC-6264B	Sensor, Methane (CH4) 0-100% LEL for GX-2009 MSHA / GX-2012 CSA	140.00
OS-BM2	Sensor, Galvanic, Oxygen (O2) 0-25% Vol. for GX-2009/GX-2012/GasTracer/GX-6000/OX-03/GasWatch 3	120.00
TE-7561	Sensor, TC, % volume, GX-2003/GX-2012/Gas Tracer	160.00

GX-2012 CSA Calibration Kits

Instrument #	Cal-Kit Part #	Cal-Kit Description	Price
72-0290-08	81-GX03CO	Cal kit, GX-2003/GX-2012, 103L steel cyl CO/CH4/O2 in N2, dem flow reg, case & tubing	455.00
72-0290-10	81-GX03CO-DLV	Cal kit, GX-2003/GX-2012, 34L cyl CO/CH4/O2, dem flow reg, case & tubing	455.00
72-0290-12			
72-0290-17	81-GX03CO-LV	Cal kit, GX-2003/GX-2012, 34L cyl CO/CH4/O2 in N2, dispensing valve, gas bag, case & tubing	240.00
72-0290-09 72-0290-16 72-0290-22	81-GX03HSCO	Cal kit, GX-2003/GX-2012, 58AL cyl H2S (25 ppm)/CO/CH4/O2, dem flow reg, case & tubing	495.00
	81-GX03HSCO-DLV	Cal kit, GX-2003/GX-2012, 34AL cyl H2S (25 ppm)/CO/CH4/O2, dem flow reg, case & tubing	520.00
	81-GX03HSCO-LV	Cal kit, GX-2003/GX-2012, 34AL cyl H2S (25 ppm)/CO/CH4/O2, reg with gauge & knob, gas bag, case & tubing	435.00
72-0290-11 72-0290-18 72-0290-19 72-0290-23	81-GX12VCO-DLV	Cal kit, GX-2012, 34L cyl CO/CH4/O2, 34L 50% vol CH4, dem flow reg, case & tubing	510.00
72-0290-24 72-0290-27	81-GX03VHSCO	Cal kit, GX-2003/GX-2012, 58AL cyl H2S (25 ppm)/CO/CH4/O2, 58L 100% vol. CH4, dem flow reg, case & tubing	645.00
	81-GX03VHSCO-LV	Cal kit, GX-2003/GX-2012, 34AL cyl H2S (25 ppm)/CO/CH4/O2, 58L cyl 100% vol. CH4, reg with gauge & knob, disp valve, gas bag, case & tubing	585.00
	81-GX03VHSCODLV	Cal kit, GX-2003/GX-2012, 34AL cyl H2S (25 ppm)/CO/CH4/O2, 58L cyl 100% vol. CH4, 1 dem flow reg, case & tubing	670.00

Premier Portable Instruments

Gas Tracer Five Sensor Sample Draw Leak Checker & Confined Space Monitor

Combustibles (CH4 Standard)	% Volume CH4	PPM CH4	O2	CO
Catalytic combustion	Thermal Conductivity	MOS/Catalytic	Galvanic	Electrochemical
0 ~ 100% LEL	0 ~ 100% Vol.	0 ~ 5,000 ppm	0 ~ 40% Vol.	0 ~ 500 ppm



Part Number Structure

Gas Configuration **Battery Option**
72-0291- **XX** - **Y**

Step 1 - Choose Base Model

<u>Part#</u>	<u>Description</u>	<u>Suggested Retail</u>
72-0291-51-__	Gas Tracer, 1 sensor, 0 - 10,000 ppm CH4 base, choose battery option	1,045.00
72-0291-61-__	Gas Tracer, 3 sensor, PPM CH4 / LEL / % volume CH4 base, choose battery option	1,195.00
72-0291-65-__	Gas Tracer, 4 sensor, PPM CH4 / LEL / % volume CH4 / O2 base, choose battery option	1,245.00
72-0291-66-__	Gas Tracer, 4 sensor, PPM CH4 / LEL / % volume CH4 / CO base, choose battery option	1,245.00
72-0291-66H-__	Gas Tracer, 4 sensor, PPM CH4 / LEL / % volume CH4 / CO (with H2S response, no charcoal filter) base, choose battery option	1,245.00
72-0291-69-__	Gas Tracer, 5 sensor, PPM CH4 / LEL / % volume CH4 / O2 / CO base, choose battery option	1,295.00
72-0291-69H-__	Gas Tracer, 5 sensor, PPM CH4 / LEL / % volume CH4 / O2 / CO (with H2S response, no charcoal filter) base, choose battery option	1,295.00

Step 2 - Choose Battery Option

Add Battery Option letter below to the end of the Base Model part # and add price to the Base Model price.

A	Alkaline battery pack only	0.00
B	Alkaline and Li-Ion battery pack with 100-240 VAC Charger	260.00
C	Li-Ion battery pack only with 100-240 VAC charger (Alkaline battery pack not included)	200.00
D	Li-Ion battery pack only with 12 VDC charger (Alkaline battery pack not included)	200.00
E	Alkaline and Li-Ion battery pack with 12 VDC Charger	260.00
F	Li-Ion battery pack only with 100-240 VAC / 12 VDC Charger (Alkaline battery pack not included)	220.00
G	Alkaline and Li-Ion battery pack with 100-240 VAC / 12 VDC charger	280.00
H	Li-Ion battery pack only with no charger	150.00

Example:

<u>Part#</u>	<u>Description</u>	<u>Suggested Retail</u>
72-0291-65-C	Gas Tracer, 4 sensors, PPM CH4 / LEL / % volume CH4 / O2 with 100-240 VAC charger and Li-ion battery pack (alkaline pack not included)	1,445.00

Instrument Price Includes

10' hose, probe, and Quick Reference Card. The battery and charger (if applicable) option selected above is also included.

Premier Portable Instruments

Gas Tracer Five Sensor Sample Draw Leak Checker & Confined Space Monitor with CSA

Combustibles (CH4 Standard)	% Volume CH4	PPM CH4	O2	CO
Catalytic combustion	Thermal Conductivity	MOS/Catalytic	Galvanic	Electrochemical
0 ~ 100% LEL	0 ~ 100% Vol.	0 ~ 5,000 ppm	0 ~ 40% Vol.	0 ~ 500 ppm



Part Number Structure

Gas Configuration **Battery Option**
72-0293- **XX** - **Y**

Step 1 - Choose Base Model

Part#	Description	Suggested Retail
72-0293-51-__	Gas Tracer, 1 sensor, 0 - 10,000 ppm CH4 base, choose battery option	1,045.00
72-0293-61-__	Gas Tracer, 3 sensor, PPM CH4 / LEL / % volume CH4 base, choose battery option	1,195.00
72-0293-65-__	Gas Tracer, 4 sensor, PPM CH4 / LEL / % volume CH4 / O2 base, choose battery option	1,245.00
72-0293-66-__	Gas Tracer, 4 sensor, PPM CH4 / LEL / % volume CH4 / CO base, choose battery option	1,245.00
72-0293-69-__	Gas Tracer, 5 sensor, PPM CH4 / LEL / % volume CH4 / O2 / CO base, choose battery option	1,295.00
72-0293-69H-__	Gas Tracer, 5 sensor, PPM CH4 / LEL / % volume CH4 / O2 / CO (with H2S response, no charcoal filter) base, choose battery option	1,295.00

Step 2 - Choose Battery Option

Add Battery Option letter below to the end of the Base Model part # and add price to the Base Model price.

A	Alkaline battery pack only	0.00
B	Alkaline and Li-Ion battery pack with 100-240 VAC Charger	260.00
C	Li-Ion battery pack only with 100-240 VAC charger (Alkaline battery pack not included)	200.00
D	Li-Ion battery pack only with 12 VDC charger (Alkaline battery pack not included)	200.00
E	Alkaline and Li-Ion battery pack with 12 VDC Charger	260.00
F	Li-Ion battery pack only with 100-240 VAC / 12 VDC Charger (Alkaline battery pack not included)	220.00
G	Alkaline and Li-Ion battery pack with 100-240 VAC / 12 VDC charger	280.00
H	Li-Ion battery pack only with no charger	150.00

Example:

Part#	Description	Suggested Retail
72-0293-65-C	Gas Tracer, 4 sensors, PPM CH4 / LEL / % volume CH4 / O2 with 100-240 VAC charger and Li-Ion battery pack (alkaline pack not included)	1,445.00

Instrument Price Includes

10' hose, probe, and Quick Reference Card. The battery and charger (if applicable) option selected above is also included.

Premier Portable Instruments

Replacement Sensors

Part#	Description	Suggested Retail
ES-1821	Sensor, Carbon Monoxide (CO) 0-500 ppm for GX-2009/GX-2012/GX-6000/CO-03/GasWatch 2/Gas Tracer	140.00
ES-18271	Sensor, Hydrogen Sulfide (H2S) 0-100 ppm for GX-2009/GX-2012/GX-6000/HS-03/GasWatch 2	140.00
NC-6264A	Sensor, Methane (CH4) 0-100% LEL for GX-2009/GX-2012/GX-6000/GP-03/Gas Tracer	120.00
NC-6264AZX	Sensor, Methane (CH4) 0-100% LEL, silicone resistant, for GX-2009/GX-2012/GX-6000/GX-2001/GX-2003/Gas Tracer/GP-01	130.00
OS-BM2	Sensor, Galvanic, Oxygen (O2) 0-25% Vol. for GX-2009/GX-2012/GasTracer/GX-6000/OX-03/GasWatch 3	120.00
SH-8641	Sensor, ppm Methane (CH4) for Gas Tracer	150.00
TE-7561	Sensor, TC, % volume, GX-2003/GX-2012/Gas Tracer	160.00

Gas Tracer Calibration Kits

Instrument #	Cal-Kit Part #	Cal-Kit Description	Price
72-0291-51	81-GT51-DLV	Cal kit, Gas Tracer, 34L cyl 500 ppm CH4/Air, humidifier tube, dem flow reg, case & tubing	585.00
72-0291-54 72-0291-55 72-0291-56 72-0291-59 72-0291-60 72-0291-64	81-GT64-DLV	Cal kit, Gas Tracer, 34L cyl 500 ppm CH4/Air, 34L CO/CH4/O2, humidifier tube, dem flow reg, case & tubing	640.00
72-0291-61 72-0291-65 72-0291-66 72-0291-69	81-GT69	Cal kit, Gas Tracer, 103L steel cyl 500 ppm CH4/Air, 58L steel 100% vol CH4, 103L steel CO/CH4/O2, humidifier tube, dem flow reg, case & tubing	1,070.00

Gas Tracer Calibration Station

Part#	Description	Suggested Retail
81-SDM2012-01	Single point calibration station for GX-2012 and Gas Tracer, model SDM-2012 with AC Adaptor, flash drive, USB cable, & tubing	1,280.00
81-SDM2012-02	Single point calibration station for GX-2012 and Gas Tracer, model SDM-2012 with AC Adaptor, flash drive, USB cable, tubing, & demand flow regulator	1,520.00
81-SDM2012-07	Single point calibration station for Gas Tracer, model SDM-2012 with AC Adaptor, flash drive, USB cable, tubing, humidifier tube, two demand flow regulators, 103L steel cyl CO/CH4/O2, & 103L steel cyl 1,000 ppm CH4/Air	2,060.00

SDM-2012



Premier Portable Instruments

Gas Tracer Replacement Parts & Accessories

Part#	Description	Suggested Retail
06-1248RK-03	Calibration kit tubing, polyurethane, 3/16" ID x 5/16" OD, 3 feet	4.50
07-2005RK	Gasket, filter/screen retaining, RP-3R / RP-2009 / RP-6 / GX-2003 / GX-2012 / Gas Tracer / GX-Force	15.00
07-6000RK	O-ring for inlet fitting of RP-3R/RP-2009/RP-6/GX-2003/GX-2012/Gas Tracer	1.00
07-6024RK	Battery pack gasket, GX-2012 / Gas Tracer	15.00
07-6025RK	Main case gasket, GX-2012 / Gas Tracer	6.00
07-6026RK	Sensor gasket, GX-2012 / Gas Tracer	6.00
13-0112RK	Wrist strap	4.00
13-0118RK	Belt clip, GX-2012 / Gas Tracer	24.00
17-1000RK	Inlet fitting (also needs o-ring 07-6000RK) for RP-3R/RP-6	8.80
17-1001RK	Tapered rubber inlet nozzle, 4", RP-3R/RP-2009/RP-6/GX-2003/GX-2012/Gas Tracer	8.00
17-4430RK-01	Bypass tee probe w/GX-7 quick disconnect,for GX-2003 / GX-2012/Gas Tracer purge sampling	22.00
21-1833RK	Filter holder, clear plastic, RP-3R/RP-2009/GX-2003/GX-2012/Gas Tracer/GX-6000	12.80
21-1890RK	Top cover assembly, GX-2012/Gas Tracer	76.00
21-1891RK	Main case assembly, Gas Tracer	154.00
21-1892RK	Sensor cap assembly, GX-2012/Gas Tracer	76.00
30-0022RK	Pump replacement for GX-2012/Gas Tracer/RP-3R/RP-2009/GX-6000/FP-31/NC-1000, with cable and connector	140.00
33-0159RK	Teflon filter disk, 10 pieces, RP-3R/RP-2009/RP-6/GX-2003/GX-2012/Gas Tracer/GX-6000/ NC-1000/GX-Force	24.00
33-1031RK	Cotton balls, filters for probe, bag of 25 (For 80-0150RK old style probe)	4.00
33-1036RK	Filter body, plastic, for 80-0150RK probe	6.00
33-1112RK	Wire mesh disk filter, RP-3R/RP-2009/RP-6/GX-2003/GX-2012/Gas Tracer/GX-6000/GX-Force, 10 pack ...	15.00
33-2001RK-01	Humidifier, 6" tube assembly for cal kits with 3/16" tubing on ends	130.00
33-3013	Filter element, particle, polypropylene/polyethylene for GX-6000, GX-2012, Gas Tracer, GX-2001, GX-2003, RP-3R probe, (not for Cl2)	2.00
33-3013-10	Filter element, particle, polypropylene/polyethylene for GX-6000, GX-2012, Gas Tracer, GX-2001, GX-2003, RP-3R probe, (not for Cl2) pack of 10	20.00
33-7102RK	Filter, charcoal, for CO sensor, pack of 5, GX-2009/GX-2012/Gas Tracer/GX-6000	10.00
33-7114RK	Filter disk, H2S scrubber, strip of 5, for LEL sensor port, GP-01/GX-2001/GX-2009/GX-2012/ Gas Tracer/GX-6000/GP-03	10.00
47-5084RK-01	Downloading cable, USB / IrDA adapter, Windows XP, Windows 7, Windows 8, Windows 10, and Windows 11 compatible	230.00
49-0115RK	115 / 220 VAC Adapter for charger, GX-6000/GX-2009/GX-2012/Gas Tracer/EAGLE 2/GX-8000/SC-8000 ...	20.00
49-1120RK	Size AA alkaline battery	1.40
49-1320RK	Battery, Ni-MH, AA	4.00
49-1406RK	Battery, lithium, CR 1220, for main PCB for GX-2012, Gas Tracer, GP-1000, & NC-1000, snap in type	4.40
49-1615RK	Battery pack, lithium ion, GX-2012 / Gas Tracer, BUL-2012	175.00
49-1616RK	Alkaline Battery pack without batteries with gasket, GX-2012 / Gas Tracer	120.00
49-1616RK-01	Alkaline Battery pack cover with gasket, GX-2012 / Gas Tracer	30.00
49-2020RK	12 VDC Adapter for charger with vehicle plug (charger base not included), GX-2009/GX-2012/ Gas Tracer/GX-6000	24.00
49-2058RK-04	AC adapter 4 port charger for SDM-2009, SDM-2012, and SDM-03	88.00
49-2180RK	Charging station only, for Li-Ion battery pack, no AC adapter for GX-2012/Gas Tracer	70.00
49-2180RK-01	Charging station with AC adapter, for Li-Ion battery pack, 110/115/220 VAC, for GX-2012/Gas Tracer	85.00
49-2180RK-DC	Charging station only, with velcro strap, for DC Li-Ion battery pack, no DC adapter, for GX-2012/Gas Tracer	75.00
49-2181RK	Charging station with 12 VDC vehicle plug adapter for Li-Ion battery pack, for GX-2012/Gas Tracer	90.00
49-3105RK	Charger, Ni-MH, charges four AA or AAA size with A/C adapter and DC vehicle plug	45.00
49-3106RK	Charger, Ni-MH, charges twelve AA or AAA size with A/C adapter and DC vehicle plug	75.00
51-1125RK	LCD display, GX-2012 / Gas Tracer	60.00
57-2042RK	Sensor PC board assembly, Gas Tracer	88.00
57-2044RK	CPU PC board assembly, Gas Tracer	640.00
80-0009RK-10	Hose, 10', polyurethane, GX-2012/Gas Tracer/GX-Force/GX-20003/RP-3R/RP-3R/RP-2009	36.00
80-0009RK-15	Hose, 15', polyurethane, GX-2012/Gas Tracer/GX-20003/RP-3R/RP-2009	38.00
80-0009RK-20	Hose, 20', polyurethane, GX-2012/Gas Tracer/GX-20003/RP-3R/RP-2009	40.00
80-0009RK-25	Hose, 25', polyurethane, GX-2012/Gas Tracer/GX-20003/RP-3R/RP-2009	42.00
80-0009RK-30	Hose, 30', polyurethane, GX-2012/Gas Tracer/GX-20003/RP-3R/RP-2009	46.00
80-0009RK-40	Hose, 40', polyurethane, GX-2012/Gas Tracer/GX-20003/RP-3R/RP-2009	54.00
80-0009RK-50	Hose, 50', polyurethane, GX-2012/Gas Tracer/GX-20003/RP-3R/RP-2009	72.00

Premier Portable Instruments

Gas Tracer Replacement Parts & Accessories

Part#	Description	Suggested Retail
80-0101RK	Hose with floating head, 8 meters (25 feet), with GX-/RX- series	100.00
80-0140RK	Extendable probe, 32" (collapsible), fiberglass with filter for GX-2003/GX-2012/Gas Tracer	84.00
80-0144RK	Extendable probe, 7' (collapsible to 2'), fiberglass with filter for GX-2003/GX-2012/Gas Tracer	88.00
80-0155RK	Probe assembly, 30", aluminum, with cotton ball filter, for GX-2003/GX-2012/Gas Tracer	76.00
80-0157RK	Bar hole probe, 30" fiberglass for GX-2003/GX-2012/Gas Tracer	70.00
80-0161RK-24	Flexible 24" probe tube without instrument adapter, clear plastic	45.00
80-0162RK	Flexible 10" probe tube with female quick-connect (attaches to instrument)	75.00
80-0162RK-24	Flexible 24" probe tube with female quick-connect (attaches to instrument)	75.00
80-0172	Probe with hydrophobic filter, dust filter, no scrubber section, for GX-6000/ (not for Cl2 use) / GX-8000/RX-8000/GX-Force/GX-2012/GasTracerGX-2001/GX-2003/RP-3R.....	35.00
80-0225RK	Hydrophobic filter, in line, ACRO - 50 with fittings for GX-7/GX-2001/GX-2003/GX-2012/ Gas Tracer and RX-415	75.00
80-0404RK	Dilution fitting, 50:50 for GX-2003/-2012/Gas Tracer/GX-Force/RP-2009/RP-6/RP-3R.....	95.00
81-0016RK-05	Cylinder, CH4 100% volume 58L steel	150.00
81-0018RK-01	Cylinder, isobutane 50% LEL in air, 34L steel.....	55.00
81-0018RK-03	Cylinder, isobutane 50% LEL in air, 103L steel	150.00
81-0026RK-01	Cylinder, isobutane 250 ppm in air, 34L steel	55.00
81-0026RK-03	Cylinder, isobutane 250 ppm in air, 103L steel	150.00
81-0076RK-01	Cylinder, Zero air, 34L steel	55.00
81-0076RK-03	Cylinder, Zero air, 103L steel	150.00
81-0085RK-01	Cylinder, CH4 1,000 ppm in air, 34L steel	55.00
81-0085RK-03	Cylinder, CH4 1,000 ppm air, 103L steel	150.00
81-0090RK-01	Cylinder, CO 50 ppm / CH4 50% LEL / O2 12 % in N2, 34L steel	55.00
81-0090RK-03	Cylinder, CO 50 ppm / CH4 50% LEL / O2 12 % in N2, 103L steel.....	150.00
81-1054RK	Regulator, demand flow for 34AL/58AL/103L/116L cylinders	280.00
81-1055RK	Regulator, demand flow for 17L/34L steel steel cylinders	280.00

Premier Portable Instruments

GX-6000 Six Sensor Sample Draw Gas Monitor Price Configurator

Base Instrument	4 Gas Sensors	Smart Sensor 1	Smart Sensor 2	Battery	
72 - 6	A	B	X	C	
	Step 1	Step 2	Step 3	Step 4	
	4 Gas Sensors	Smart Sensor 1	Smart Sensor 2	Battery	
	\$1,695	\$1,350	\$0.00	\$250	\$3,295



Above Example:

72-6ABX-C GX-6000 for LEL / O2 / H2S / CO / VOC's (0 - 6,000 ppm PID) with Li-Ion battery pack and 115 VAC charger \$3,295.00

Total List Price

Step 1

Standard 4 gas sensors

X	No 4 gas sensors	1,495.00
A	LEL / O2 / H2S / CO	1,695.00
B	LEL / O2 / CO	1,645.00
C	LEL / O2 / H2S	1,645.00
D	O2 / H2S	1,595.00
E	O2 / CO	1,595.00
F	LEL / CO	1,595.00
G	LEL / H2S	1,595.00
H	LEL / O2	1,595.00
I	CO	1,545.00
J	H2S	1,545.00
K	O2	1,545.00
L	LEL	1,545.00
M	O2 / H2S / CO	1,645.00
N	LEL / H2S / CO	1,645.00
O	H2S / CO	1,595.00

Priority for Smart Sensor 1 Position

High Priority	Low range 10.6 eV PID
	10.0 eV/benzene PID
	11.7 eV PID
Low Priority	High range 10.6 eV PID
	ESS-03 Cl2
	ESS-03 NH3
	IR and other ESS-03 sensors

Step 2 & Step 3

Smart Sensor Slots 1 and 2

X	No Sensor	0.00
A	PID, 10.6 eV Lamp, Low range, 50 ppm (PID-001)	1,750.00
B	PID, 10.6 eV Lamp, High range, 6,000 ppm (PID-002)	1,350.00
V	PID, 10.0 eV Lamp, 100 ppm, (PID-003L)	2,150.00
Y	PID, 11.7 eV Lamp, 1000 ppm (PID-004)	2,200.00
Z	PID, 10.0 eV Lamp, 100 ppm, Benzene specific 50 ppm (PID-003L), with tube holder & box of 10 tubes	2,300.00
All PID options above include a cleaning kit (except 11.7 eV)		
C	IR, CH4, 100% LEL / 100% vol, (DES-3311-3)	400.00
D	IR, HC, 100% LEL / 30% vol, (DES-3311-2)	400.00
E	IR, CO2, 10,000 ppm, (DES-3311-4-01)	450.00
F	IR, CO2, 10% vol (DES-3311-1-01)	450.00
I	SO2, 100 ppm (ESS-03DH-SO2)	260.00
K	NO2, 20 ppm (ESS-03DH-NO2)	260.00
L	HCN, 15 ppm (ESS-03DH-HCN)	260.00
M	NH3, 400 ppm (ESS-B332-NH3)	260.00
P	Cl2, 10 ppm (ESS-B335-CL2)	390.00
Q	PH3, 20 ppm (ESS-03DH-PH3)	260.00
R	N2H4, 10 ppm (ESS-A33E-MMH)	480.00

Step 4

Battery options

A	Alkaline battery pack only	0.00
B	Alkaline and Li-Ion battery pack with 100-240 VAC Charger	410.00
C	Li-Ion battery pack with 100-240 VAC Charger	250.00
D	Li-Ion battery pack only with 12 VDC charger (Alkaline battery pack not included)	250.00
E	Alkaline and Li-Ion battery pack with 12 VDC Charger	410.00
F	Li-Ion battery pack only with 100-240 VAC / 12 VDC combo charger (Alkaline battery pack not included)	270.00
G	Alkaline and Li-Ion battery pack with 100-240 VAC / 12 VDC combo charger	430.00
H	Li-Ion battery pack only with no charger	125.00

Premier Portable Instruments

GX-6000 Instrument Price Includes

Part#	Description
20-0326	Rubber protective boot for GX-6000, black
49-1619	Battery pack, Li-Ion, BUL-6000 for GX-6000
49-1620	Battery pack, alkaline, BUD-6000 for GX-6000
80-0006-03P	Hose, 3' for GX-6000, Teflon lined with probe attached

GX-6000 Common Configurations

Part#	Description	Suggested Retail
72-6AAX-C	GX-6000 for LEL / O2 / H2S / CO / VOC's (0 - 50,000 ppb PID) with Li-Ion battery pack and 115 VAC charger	3,695.00
72-6ABX-A	GX-6000 for LEL / O2 / H2S / CO / VOC's (0 - 6,000 ppm PID) with alkaline battery pack	3,045.00
72-6AZX-C	GX-6000 for LEL / O2 / H2S / CO / VOC's (0 - 100 ppm /-50 ppm Benzene PID) with tube holder, box of 10 tubes, Li-Ion battery pack and 115 VAC charger	4,245.00
72-6XAX-C	GX-6000 for VOC's (0 - 50,000 ppb PID) with Li-Ion battery pack and 115 VAC charger	3,495.00
72-6XBX-C	GX-6000 for VOC's (0 - 6,000 ppm PID, 10.6 eV lamp) with Li-Ion battery pack and 115 VAC charger ...	3,095.00
72-6XZX-C	GX-6000 for Benzene specific (0 - 50 ppm PID) with tube holder, box of 10 tubes, Li-Ion battery pack, and charger.....	4,045.00
72-6XZB-C	GX-6000 for Benzene specific (0 - 50 ppm PID, 10.0 eV lamp) with tube holder, box of 10 tubes, VOC's (0 - 6,000 ppm PID, 10.6 eV lamp) (Li-Ion battery pack, and charger.....	5,395.00
72-6AAX-C	GX-6000 for LEL / O2 / H2S / CO with Li-Ion battery pack and 115 VAC charger	1,945.00
72-6ABL-C	GX-6000 for LEL / O2 / H2S / CO / VOC's (0 - 6,000 ppm PID) / HCN with Li-Ion battery pack and 115 VAC charger	3,555.00
72-6ABK-C	GX-6000 for LEL / O2 / H2S / CO / VOC's (0 - 6,000 ppm PID) / NO2 with Li-Ion battery pack and 115 VAC charger	3,555.00
72-6ABI-C	GX-6000 for LEL / O2 / H2S / CO / VOC's (0 - 6,000 ppm PID) / SO2 with Li-Ion battery pack and 115 VAC charger	3,555.00

GX-6000 Bundles

Part#	Description	Suggested Retail
72-6ABX-C-50	GX-6000 for LEL / O2 / H2S / CO / VOC's (0 - 6,000 ppm PID) with Li-Ion battery pack, 115 VAC charger, and padded carrying case	3,415.00
72-6ABX-C-51	GX-6000 for LEL / O2 / H2S / CO / VOC's (0 - 6,000 ppm PID) with Li-Ion battery pack, 115 VAC charger, 34AL cylinder isobutylene/CH4/O2/CO/H2S, demand flow regulator, tubing, and padded carrying case	3,970.00
72-6ABX-C-53	GX-6000 for LEL / O2 / H2S / CO / VOC's (0 - 6,000 ppm PID) with Li-Ion battery pack, 115 VAC charger, tubing, and padded carrying case for instrument and cylinders	3,460.00
72-6AAX-C-50	GX-6000 for LEL / O2 / H2S / CO with Li-Ion battery pack, 115 VAC charger, and padded carrying case	2,065.00
72-6AAX-C-51	GX-6000 for LEL / O2 / H2S / CO with Li-Ion battery pack, 115 VAC charger, 34AL cylinder CH4/O2/CO/H2S, demand flow regulator, tubing, and padded carrying case	2,550.00
72-6XBX-C-50	GX-6000 for VOC's (0 - 6,000 ppm PID, 10.6 eV lamp) with Li-Ion battery pack, 115 VAC charger, and padded carrying case	3,215.00
72-6XBX-C-51	GX-6000 for VOC's (0 - 6,000 ppm PID, 10.6 eV) with Li-Ion battery pack, 115 VAC charger, 34AL cylinder 100 ppm isobutylene/air, demand flow regulator, tubing, and padded carrying case ...	3,690.00



72-6ABX-C-51

Premier Portable Instruments

Special Attention Combinations

Listed below are some gas combinations that can be installed into one GX-6000 but that have limitations of operations that must be discussed and understood by the customer prior to purchase. Some have special filters installed for improved specificity.

A.	SO ₂ / NO ₂ *	9 ppm NO ₂ reads -10.4 SO ₂ 6 ppm SO ₂ reads -3.8 ppm NO ₂
B.	Cl ₂ / SO ₂	6 ppm SO ₂ reads 3 ppm Cl ₂
C.	NH ₃ / NO ₂	9 ppm NO ₂ reads -5.7 ppm NH ₃

* This combination is only practical if only one gas is present at a time due to cross interference.

Impractical Combinations

Some combinations of gases are not practical in the same GX-6000 due to interference issues. If you do not see the combination you want in the price list, please consult the factory. Please see below for BAD combinations (not practical) or combinations which require special attention.

A.	HCN / SO ₂	6 ppm SO ₂ reads 11.4 ppm HCN
B.	HCN / NO ₂	9 ppm NO ₂ reads -20.8 HCN
C.	H ₂ S / Cl ₂	H ₂ S suppresses Cl ₂ reading

GX-6000 Replacement Sensors

Part#	Description	Suggested Retail
NC-6264A	Sensor, Methane (CH ₄) 0-100% LEL for GX-2009/GX-2012/ GX-6000/GP-03/Gas Tracer.....	120.00
OS-BM2	Sensor, Galvanic, Oxygen (O ₂) 0-25% Vol. for GX-2009/GX-2012/ GasTracer/GX-6000/OX-03/GasWatch 3	120.00
ES-1827i	Sensor, Hydrogen Sulfide (H ₂ S) 0-100 ppm for GX-2009/GX-2012/ GX-6000/HS-03/GasWatch 2	140.00
ES-1821	Sensor, Carbon Monoxide (CO) 0-500 ppm for GX-2009/GX-2012/ GX-6000/CO-03/GasWatch 2/Gas Tracer	140.00
PID-001L	Sensor, PID, 10.6 eV lamp, VOC 0-50 ppm for GX-6000	1,700.00
PID-002L	Sensor, PID, 10.6 eV lamp, VOC 0-6,000 ppm for GX-6000	1,300.00
PID-003L	Sensor, PID, 10.0 eV lamp, VOC 0-100 ppm, Benzene specific 0.01-50 ppm for GX-6000	2,100.00
PID-004	Sensor, PID, 11.7 eV lamp, VOC 0-1000 ppm, for GX-6000	2,000.00
DES-3311-3	Sensor, IR, Methane (CH ₄) 0 - 100% LEL / 0 - 100% volume auto range for GX-6000	400.00
DES-3311-2	Sensor, IR, Hydrocarbons (HC) 0 - 100% LEL / 0 - 30% volume auto range for GX-6000	400.00
DES-3311-4	Sensor, IR, Carbon Dioxide (CO ₂) 0 - 10,000 ppm for GX-6000	400.00
DES-3311-4-01	Sensor, IR, Carbon Dioxide (CO ₂) 0 - 10,000 ppm with scrubber for GX-6000	450.00
DES-3311-1	Sensor, IR, Carbon Dioxide (CO ₂) 0 - 10% for GX-6000	400.00
DES-3311-1-01	Sensor, IR, Carbon Dioxide (CO ₂) 0 - 10% with scrubber for GX-6000	450.00
ESS-B332-NH3	Sensor, Ammonia (NH ₃), 0-400 ppm for GX-6000	260.00
ESS-03DH-HCN	Sensor, Hydrogen Cyanide (HCN) 0 - 15 ppm for GX-6000	260.00
ESS-B335-CL2	Sensor, Chlorine (Cl ₂), 0-10 ppm for GX-6000	390.00
ESS-A33E-MMH	Sensor, MMH (N ₂ H ₄) 0 - 10.00 ppm for GX-6000	480.00
ESS-03DH-NO2	Sensor, Nitrogen Dioxide (NO ₂), 0 - 20 ppm for GX-6000	260.00
ESS-03DH-SO2	Sensor, Sulfur Dioxide (SO ₂) 0 - 100 ppm for GX-6000	260.00
ESS-03DH-PH3	Sensor, Phosphine (PH ₃) 0 - 20 ppm for GX-6000	260.00



Premier Portable Instruments

GX-6000 Calibration Kits

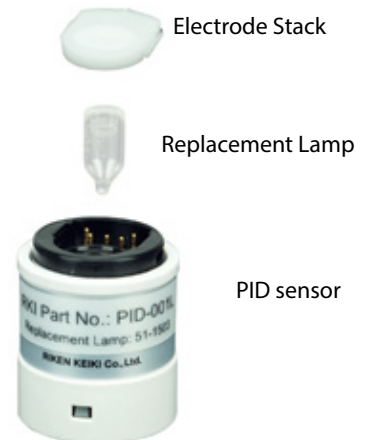
Instrument #	Cal-Kit Part #	Cal-Kit Description	Price
72-6AAX	81-6AAX-DLV	Cal Kit, GX-6000, 34AL cyl 10 ppm isobutylene in air, 34AL cyl H2S/CO/CH4/O2, dem flow reg, case & tubing	710.00
72-6ABI	81-6ABI-DLV	Cal Kit, GX-6000, 34AL cyl 100 ppm Isobutylene/H2S/CO/CH4 LEL/O2, 34AL cyl 5 ppm SO2 in N2, dem flow reg, case, tubing	770.00
72-6ABK	81-6ABK-DLV	Cal Kit, GX-6000, 34AL cyl 100 ppm Isobutylene/H2S/CO/CH4/O2, 34AL cyl 10 ppm NO2 in N2, dem flow reg, case, tubing	890.00
72-6ABL	81-6ABL-DLV	Cal Kit, GX-6000, 34AL cyl 100 ppm Isobutylene/H2S/CO/CH4/O2, 34AL cyl 10 ppm HCN in N2, dem flow reg, case, tubing	910.00
72-6ABX	81-6ABX-DLV	Cal Kit, GX-6000, 34AL cyl 100 ppm Isobutylene/H2S/CO/CH4/O2, dem flow reg, case, tubing	630.00
72-6AXX	81-6AXX-DLV	Cal kit, GX-6000, 34AL cyl CH4/O2/H2S/CO, dem flow reg, case and tubing	560.00
	81-6AXX	Cal kit, GX-6000, 58AL cyl CH4/O2/H2S/CO, dem flow reg, case and tubing	535.00
72-6XAX	81-6XAX-DLV	Cal Kit, GX-6000, 34AL cyl 10 ppm isobutylene in air, dem flow reg, case & tubing	550.00
72-6XBX	81-6XBX-DLV	Cal Kit, GX-6000, 34AL cyl 100 ppm isobutylene in air, dem flow reg, case & tubing	550.00
72-6XZX	81-6XZX-DLV	Cal Kit, GX-6000, 34AL cyl 5 ppm benzene in air, dem flow reg, case & tubing	530.00
	81-6XZX	Cal Kit, GX-6000, 58AL steel cyl 5 ppm benzene in air, dem flow reg, case & tubing	495.00

GX-6000 PID Replacement Lamps and Electrode Stacks

PID Sensor	eV	Replacement Lamp	Electrode Stack
PID-001L	10.6	51-1503	33-0560-01
PID-002L	10.6		33-0562
PID-003L	10.0		33-0563
PID-004	11.7	51-1504	33-0560-01
PID-001*	10.6	51-1503	
PID-002*	10.6		

* (Discontinued Sensor)

Part#	Description	Suggested Retail
33-0560-01	Electrode Stack for 10.6 (50 ppm sensor) & 11.7 eV lamps used in EAGLE 2, GX-6000, or VOC Pro (1 electrode)	110.00
33-0562	Electrode Stack for 10.6 eV lamp, 0-2,000/6,000 ppm for EAGLE 2, GX-6000, or VOC Pro, (1 electrode)	64.00
33-0563	Electrode Stack for 10.0 eV lamp, 0-100 ppm (50 ppm benzene) for GX-6000 or VOC Pro (1 electrode)	140.00
51-1503	Replacement lamp only, 0-50/-2000/-6000/ HPPM long life type for any 10.6 eV or 10.0 eV PID.	220.00
51-1504	Replacement lamp, 0-1000 ppm for PID-004, 11.7 eV lamp in GX-6000 or VOC Pro	550.00



Premier Portable Instruments

GX-6000 Replacement Parts & Accessories

Part#	Description	Suggested Retail
07-6035	O-ring, rubber exhaust sealing for GX-6000	1.20
07-6036	Gasket for top cover, black rubber for GX-6000	9.60
07-6038	Gasket for cover, black rubber for GX-6000	12.00
07-6039	Rubber joint for pressure sensor, black for GX-6000	16.00
07-6040	Gasket for sensor chamber (sensor cover), black rubber for GX-6000	12.00
07-6041	Sensor gasket, fluorine rubber, for GX-6000	34.00
07-6043	Gasket for pump, black rubber for GX-6000	16.00
10-1089RK	Screw, M2 x 4.5 mm, 304 SS, phillips, self tapping	2.00
10-1093RK	Screw M2 x 6	0.75
10-1098RK	Screw with split lock and flat washers for alligator or belt clip, GX-2009 and GX-6000, 1 each	0.50
13-0112RK	Wrist strap	4.00
13-0123	Belt clip with installation screws for GX-6000	35.00
13-0601-01	Straps and washer assembly for GX-6000 charger	14.00
13-6022-01	Din rail & end clamps kit to wall mount for one GX-6000 charger	10.00
13-6025-01	Din rail & end clamps kit to wall mount for up to four GX-6000 charger	14.00
17-1031	Tapered nozzle, rubber, red, for GX-6000 inlet	9.00
20-0110-02	Case for GX-6000 plus hose & probe, charger, AC adapter, and manual	120.00
20-0112-04	Case for GX-6000 plus hose & probe, charger, AC adapter, one cylinder cal kit, and manual	165.00
20-0114-03	Case for GX-6000 plus hose & probe, charger, AC adapter, two cylinder cal kit, and manual	260.00
20-0326	Rubber protective boot for GX-6000, black	36.00
20-0329	Rubber protective boot for GX-6000, red	40.00
21-1833RK	Filter holder, clear plastic, RP-3R/RP-2009/GX-2003/GX-2012/Gas Tracer/GX-6000	12.80
21-1926	LCD protection film for instrument display for GX-6000, GP-1000, & NC-1000	5.40
21-1926-01	LCD protection film for instrument display, pack of 5 for GX-6000, GP-1000, & NC-1000	30.00
21-1931	Sensor flow chamber (sensor cover) assembly for GX-6000	65.00
21-1933	Body case assembly for GX-6000	1,300.00
29-6100	Water immersion sensing seal, adhesive backed for 03 series, GX-6000, SP-220, and GX-Force	10.00
30-0022RK	Pump replacement for GX-2012/Gas Tracer/RP-3R/RP-2009/GX-6000/FP-31/NC-1000, with cable and connector	140.00
30-1054RK	Vibration motor for the GX-2009 and GX-6000	32.00
31-0023RK-02	Flowmeter, 0.2 - 2.0 SCFH, with valve and hosebarb fitting for GX-2012 / GX-6000 flow measurement	180.00
33-0159RK	Teflon filter disk, 10 pieces, RP-3R/RP-2009/RP-6/GX-2003/GX-2012/Gas Tracer/GX-6000/NC-1000/GX-Force	24.00
33-0176	Teflon sensor membrane disk for HCN and SO2 sensor filters for GX-6000 sensor face, adhesive backed	2.50
33-1112RK	Wire mesh disk filter, RP-3R/RP-2009/RP-6/GX-2003/GX-2012/Gas Tracer/GX-6000/GX-Force, 10 pack	15.00
33-2125-01	Dehumidifier filter with tubing for 11.7 eV PID sensor, GX-6000	100.00
33-3013	Filter element, particle, polypropylene/polyethylene for GX-6000, GX-2012, Gas Tracer, GX-2001, GX-2003, RP-3R probe, (not for Cl2)	2.00
33-3013-10	Filter element, particle, polypropylene/polyethylene for GX-6000, GX-2012, Gas Tracer, GX-2001, GX-2003, RP-3R probe, (not for Cl2) pack of 10	20.00
33-6015RK	CO2 scrubber, CF-283 for GX-3R Pro/GX-6000/RX-515/RI-85	56.00
33-6092	Charcoal filter with tubing stubs and plugs, CF-8501, for GX-6000/EAGLE 2, CO2 & PID combinations	42.00
33-7102RK	Filter, charcoal, for CO sensor, pack of 5, GX-2009/GX-2012/Gas Tracer/GX-6000	10.00
33-7114RK	Filter disk, H2S scrubber, strip of 5, for LEL sensor port, GP-01/GX-2001/GX-2009/GX-2012/Gas Tracer/GX-6000/GP-03	10.00
33-7125	Filter set, 5 charcoal and H2S filters, 10 hydrophobic and metal screen filters for GX-6000	48.00
33-7126	H2S scrubber disk for ESS-03DH-HCN (Also needs #33-0176 to install)	2.00
33-7128	Benzene pre-filter tube, GX-6000, box of 10 tubes	130.00
33-7128-05	Benzene pre-filter tubes, GX-6000, 5 boxes with 10 tubes per box	630.00
45-2430RK	Plug adapter for charger, US to Euro, non-grounded	3.60
47-4001	Cable with connectors, main PCB to sensor PCB, for GX-6000	16.00
47-5084RK-01	Downloading cable, USB / IrDA adapter, Windows XP, Windows 7, Windows 8, Windows 10, and Windows 11 compatible	230.00
49-0115RK	115 / 220 VAC Adapter for charger, GX-6000/GX-2009/GX-2012/Gas Tracer/EAGLE 2/GX-8000/SC-8000	20.00
49-1050RK	Battery, memory backup, silver oxide, SR 616, 1.55 volts, GX-2009 and GX-6000, snaps in	10.00
49-1120RK	Size AA alkaline battery	1.40
49-1619	Battery pack, Li-Ion, BUL-6000 for GX-6000	250.00
49-1620	Battery pack, alkaline, BUD-6000 for GX-6000	160.00
49-1620-03	Continuous operation adapter for GX-6000, 8 VDC to 28 VDC input	230.00

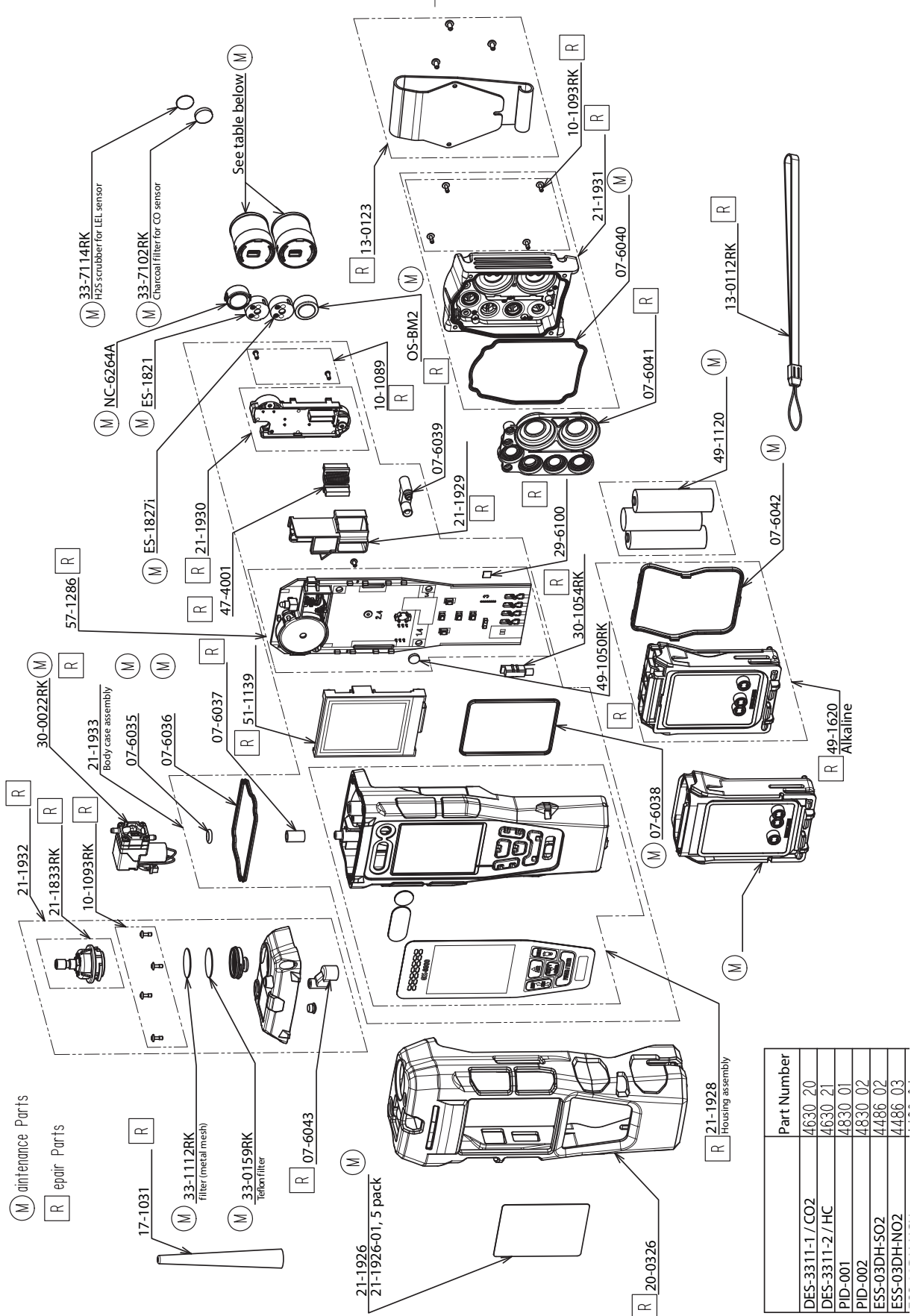
Premier Portable Instruments

GX-6000 Replacement Parts & Accessories

Part#	Description	Suggested Retail
49-2020RK	12 VDC Adapter for charger with vehicle plug (charger base not included), GX-2009/GX-2012/ Gas Tracer/GX-6000	24.00
49-2182	Battery charger module only, BC-6000, for GX-6000 Li-Ion battery pack	150.00
49-2182-01	Battery charger with 100 - 240 VAC adapter, BC-6000 for GX-6000 Li-Ion battery pack	160.00
49-2183	Battery charger, 12 VDC with vehicle plug and instrument strap, BC-6000 for GX-6000 Li-Ion battery pack	190.00
51-1139	LCD module, BTD-128160B-FBWB-G-G, for GX-6000	60.00
57-1286	Main PCB assembly for GX-6000	750.00
65-7001RK	Dummy sensor for GX-2009, GX-2012, or GX-6000 empty sensor slots (LEL, O2, H2S, & CO)	5.00
65-7003	Dummy sensor for GX-6000 empty smart sensors slots	5.00
75-0039	Benzene specific upgrade kit with PID-003L sensor, Benzene pre-filter tube holder, and Benzene pre-filter tubes (box of 10 tubes).....	2,300.00
75-0040	11.7 eV PID sensor upgrade kit with PID-004 sensor, dehumidifier tube, and charcoal filter	2,200.00
80-0006-03P	Hose, 3' for GX-6000, Teflon lined with probe attached	75.00
80-0006-05P	Hose, 5' for GX-6000, Teflon lined with probe attached	85.00
80-0006-10P	Hose, 10' for GX-6000, Teflon lined with probe attached	110.00
80-0006-15P	Hose, 15' for GX-6000, Teflon lined with probe attached	135.00
80-0006-20P	Hose, 20' for GX-6000, Teflon lined with probe attached	160.00
80-0006-25P	Hose, 25' for GX-6000, Teflon lined with probe attached	180.00
80-0006-30P	Hose, 30' for GX-6000, Teflon lined with probe attached	205.00
80-0006-35P	Hose, 35' for GX-6000, Teflon lined with probe attached	230.00
80-0006-40P	Hose, 40' for GX-6000, Teflon lined with probe attached	255.00
80-0121	Finned probe for GX-6000, stainless steel with 1641 fitting, particle filter, without tubing	825.00
80-0121-10	Finned probe for GX-6000, stainless steel with 1641 fitting, particle filter, and 10' of tubing.....	915.00
80-0162RK	Flexible 10" probe tube with female quick-connect (attaches to instrument)	75.00
80-0162RK-24	Flexible 24" probe tube with female quick-connect (attaches to instrument)	75.00
80-0172	Probe with hydrophobic filter, dust filter, no scrubber section, for GX-6000/ (not for Cl2 use) / ssGX-8000/RX-8000/GX-Force/GX-2012/GasTracerGX-2001/GX-2003/RP-3R	35.00
80-0172-01	Probe with hydrophobic filter, no dust filter or scrubber section, for GX-6000 (Cl2 use)	33.00
80-0174	Benzene pre-filter tube holder, GX-6000	140.00
80-0404RK	Dilution fitting, 50:50 for GX-2003/-2012/Gas Tracer/GX-Force/RP-2009/RP-6/RP-3R.....	95.00
81-0071RK-01	Cylinder, CO2 5000 ppm in N2, 34L steel	55.00
81-0071RK-03	Cylinder, CO2 5000 ppm in N2, 103L steel.....	150.00
81-0072RK-01	Cylinder, CO2 2.5% in N2, 34L steel	55.00
81-0072RK-03	Cylinder, CO2 2.5% in N2, 103L steel	150.00
81-0100RK-02	Cylinder, Benzene 5 ppm in air, 58AL	150.00
81-0100RK-04	Cylinder, Benzene 5 ppm in air, 34AL	130.00
81-0103RK-04	Cylinder, isobutylene 100 ppm in air, 34AL (aluminum cylinder).....	150.00
81-0104RK-04	Cylinder, isobutylene 10 ppm in air, 34AL (aluminum cylinder)	150.00
81-0143RK-02	Cylinder, isobutylene 100 ppm / H2S 25 ppm / CO 50 ppm / CH4 50% LEL / O2 12% in N2, 58AL	340.00
81-0143RK-04	Cylinder, isobutylene 100 ppm / H2S 25 ppm / CO 50 ppm / CH4 50% LEL / O2 12% in N2, 34AL	230.00
81-0154RK-02	Cylinder, H2S 25 ppm / CO 50 ppm / CH4 50% LEL / O2 12% in N2, 58AL	190.00
81-0154RK-04	Cylinder, H2S 25 ppm / CO 50 ppm / CH4 50% LEL / O2 12% in N2, 34AL	160.00
81-0154RK-116	Cylinder, H2S 25 ppm / CO 50 ppm / CH4 50% LEL / O2 12% in N2, 116AL.....	320.00
81-0158RK-04	Cylinder, H2S 25 ppm / CO 50 ppm / isobutane 50% LEL / O2 12% in N2, 34AL	160.00
81-0170RK-04	Cylinder, SO2 5 ppm in N2, 34AL	140.00
81-0176RK-02	Cylinder, NH3 25 ppm in N2, 58AL.....	300.00
81-0176RK-04	Cylinder, NH3 25 ppm in N2, 34AL.....	280.00
81-0182RK-04	Cylinder, NO2 5 ppm in air, 34AL	260.00
81-0185RK-02	Cylinder, PH3 0.5 ppm in N2, 58AL	300.00
81-0185RK-04	Cylinder, PH3 0.5 ppm in N2, 34AL	260.00
81-0190RK-04	Cylinder, Cl2 5 ppm in N2, 34AL.....	220.00
81-0196RK-04	Cylinder, HCN 10 ppm in N2, 34AL	280.00
81-1054RK	Regulator, demand flow for 34AL/58AL/103L/116L cylinders	280.00
82-0300RK	PID lamp cleaning kit with removal tool for 10.0 & 10.6 eV lamps only	52.00

Premier Portable Instruments

GX-6000 Spare Parts Diagram



Part Number	Part Number
DES-3311-1 / CO2	4630 20
DES-3311-2 / HC	4630 21
PID-001	4830 01
PID-002	4830 02
ESS-03DH-SO2	4486 02
ESS-03DH-NO2	4486 03

Premier Portable Instruments

SDM-6000 Calibration Station

ORDERING INFORMATION: When ordering an SDM-2012 calibration station, please specify the following components:

- 1) Select the docking station part number based on your calibration needs (calibration gas cylinder, regulator, or unit only).
- 2) Select any other calibration gas cylinder you may need.



SDM-6000

<u>Part#</u>	<u>Description</u>	<u>Suggested Retail</u>
81-SDM6000	SDM-6000 calibration station for GX-6000 with particle filter, connection brackets, & 10' exhaust tube (no AC adapter)	1,995.00
81-SDM6000-01	SDM-6000 calibration station for GX-6000, includes particle filter, connection brackets, SD card, USB SD card reader, ethernet cable, USB cable for PC, 10' exhaust tubing, and single unit AC adapter	2,095.00
81-SDM6000-02	SDM-6000 calibration station for GX-6000, includes particle filter, connection brackets, 10' exhaust tubing, USB cable for PC, SD card, USB SD card reader, ethernet cable, and multi-unit AC adapter	2,190.00
81-SDM6000-03	SDM-6000 calibration station for GX-6000, includes particle filter, connection brackets, 10' exhaust tubing, USB cable for PC, SD card, USB SD card reader, ethernet cable, single unit AC adapter, demand flow regulator, and cal gas tubing	2,375.00
81-SDM6000-04	SDM-6000 calibration station for GX-6000, includes particle filter, connection brackets, 10' exhaust tubing, USB cable for PC, SD card, USB SD card reader, ethernet cable, single unit AC adapter, demand flow regulator, cal gas tubing, 58AL cyl H2S/CO/CH4/O2, and cylinder holder	2,585.00
81-SDM6000-05	SDM-6000 calibration station for GX-6000, includes particle filter, connection brackets, 10' exhaust tubing, USB cable for PC, SD card, USB SD card reader, ethernet cable, single unit AC adapter, demand flow regulator, cal gas tubing, 58AL cyl isobutylene/H2S/CO/CH4/O2, and cylinder holder ...	2,735.00
81-SDM6000-06	Calibration station for SDM-6000, includes particle filter, connection brackets, 10' exhaust tubing, USB cable for PC, SD card, USB SD card reader, ethernet cable, single unit AC adapter, demand flow regulator, cal gas tubing, 34AL cyl isobutylene/air, and cylinder holder	2,545.00
81-SDM6000-07	SDM-6000 calibration station for GX-6000, includes particle filter, connection brackets, 10' exhaust tubing, USB cable for PC, SD card, USB SD card reader, ethernet cable, single unit AC adapter, demand flow regulator, cal gas tubing, 34AL cyl H2S/CO/CH4/O2, and cylinder holder	2,555.00
81-SDM6000-08	SDM-6000 calibration station for GX-6000, includes particle filter, connection brackets, 10' exhaust tubing, USB cable for PC, SD card, USB SD card reader, ethernet cable, single unit AC adapter, 2 demand flow regulators, cal gas tubing, 34AL cyl H2S/CO/CH4/O2, 34AL HCN/N2, and 2 cylinder holders	3,135.00

SDM-6000 Replacement Parts & Accessories

<u>Part#</u>	<u>Description</u>	<u>Suggested Retail</u>
07-0222	Gasket, female, for GX-6000 inlet interface on SDM-6000	18.00
07-0223	Gasket, male, for GX-6000 inlet interface on SDM-6000	13.00
14-0401	Wall mounting bracket for SDM-6000, 1 set (3 pieces)	42.00
14-0402	Connection brackets, set of 2, with screws, for connecting the SV-3 solenoid to SDM-6000	54.00
14-0403	Connection brackets, set of 3, with screws, for connecting the SDM-6000 units together	76.00
17-1037	Metal exhaust fitting at the back of SDM-6000	14.00
17-4710	Sample port plug, barbed for SDM-6000 inlet ports	5.60
21-1935	Panel cover for side fittings of SDM-6000	7.45
33-0167RK	Filter, particulate, CF-8369	25.00
33-6015RK	CO2 scrubber, CF-283 for GX-3R Pro/GX-6000/RX-515/RI-85	56.00
47-1013RK	Power cord, AC adapter line cord only	16.00
47-1017	Printer power cord for SDM-6000 printer	10.00
47-5073RK	USB cable, Type A to Type B, 6 feet	4.50
47-5085RK	USB A to USB mini B cable, 6 feet	8.00
47-5088	Ethernet network cable, Cat 6, 5 ft, black	9.00
49-0128	Multi-station AC adapter with cord, powers 2 to 10 SDM-6000 units	160.00
49-0128-01	Multi-station AC adapter without cord, powers 2 to 10 SDM-6000 units	150.00
49-0129	Printer AC adapter only, for SDM-6000 printer	140.00
49-0135	AC adapter for SDM-6000, switching, 90-264 VAC in 24V 0.63 A out with 5.5 x 2.1 mm jack, RKI single type	44.00
49-1621	Printer battery pack for SDM-6000 printer	190.00

Premier Portable Instruments

SDM-6000 Replacement Parts & Accessories

Part#	Description	Suggested Retail
71-0385	Operator's Manual, SDM-6000 Standalone Configuration	0.00
71-0386	Operator's Manual, SDM-6000 PC Controlled Configuration	0.00
81-1054RK	Regulator, demand flow for 34AL/58AL/103L/116L cylinders	280.00
81-SV3	SV-3 solenoid valve unit, with connection brackets, for 6 cylinder expansion to the SDM-6000	1,080.00
82-6107	USB SD card reader with 2 GB SD card	30.00
82-6400	Portable printer for SDM-6000, 58 mm paper width, includes USB/serial/IR adapter, battery pack, USB cable, AC power adapter and cable	960.00
82-6400-01	Thermal printer paper roll, 58 mm width for SDM-6000	31.00

SDM-6000 Calibration Gas and Hardware

Part#	Description	Suggested Retail
06-1248RK-03	Calibration kit tubing, polyurethane, 3/16" ID x 5/16" OD, 3 feet	4.50
06-1283RK	Tubing, teflon/polyurethane, 1/4" OD x 1/8" ID, 3', for toxic gas cal kits	30.00
81-0012RK-01	Cylinder, CH4 50% LEL in air, 34L steel	55.00
81-0012RK-03	Cylinder, CH4 50% LEL/air, 103L steel	150.00
81-0013RK-01	Cylinder, CH4 50% volume in N2, 34L steel	55.00
81-0013RK-05	Cylinder, CH4 50% volume in N2, 58L steel	160.00
81-0018RK-01	Cylinder, isobutane 50% LEL in air, 34L steel	55.00
81-0018RK-03	Cylinder, isobutane 50% LEL in air, 103L steel	150.00
81-0071RK-01	Cylinder, CO2 5000 ppm in N2, 34L steel	55.00
81-0071RK-03	Cylinder, CO2 5000 ppm in N2, 103L steel	150.00
81-0072RK-01	Cylinder, CO2 2.5% in N2, 34L steel	55.00
81-0072RK-03	Cylinder, CO2 2.5% in N2, 103L steel	150.00
81-0076RK-01	Cylinder, Zero air, 34L steel	55.00
81-0076RK-03	Cylinder, Zero air, 103L steel	150.00
81-0090RK-01	Cylinder, CO 50 ppm / CH4 50% LEL / O2 12 % in N2, 34L steel	55.00
81-0090RK-03	Cylinder, CO 50 ppm / CH4 50% LEL / O2 12 % in N2, 103L steel	150.00
81-0100RK-04	Cylinder, Benzene 5 ppm in air, 34AL	130.00
81-0103RK-01	Cylinder, isobutylene 100 ppm in air, 34L steel (steel cylinder)	55.00
81-0103RK-01	Cylinder, isobutylene 100 ppm in air, 34L steel (steel cylinder)	55.00
81-0103RK-03	Cylinder, isobutylene 100 ppm in air, 103L steel	150.00
81-0103RK-04	Cylinder, isobutylene 100 ppm in air, 34AL (aluminum cylinder)	150.00
81-0104RK-01	Cylinder, isobutylene 10 ppm in air, 34L steel	55.00
81-0104RK-03	Cylinder, isobutylene 10 ppm in air, 103L steel	150.00
81-0104RK-04	Cylinder, isobutylene 10 ppm in air, 34AL (aluminum cylinder)	150.00
81-0142RK-02	Cylinder, SO2 5 ppm / H2S 25 ppm / CO 50 ppm / CH4 50% LEL / O2 12% in N2, 58AL	280.00
81-0142RK-04	Cylinder, SO2 5 ppm / H2S 25 ppm / CO 50 ppm / CH4 50% LEL / O2 12% in N2, 34AL	200.00
81-0143RK-02	Cylinder, isobutylene 100 ppm / H2S 25 ppm / CO 50 ppm / CH4 50% LEL / O2 12% in N2, 58AL	340.00
81-0143RK-04	Cylinder, isobutylene 100 ppm / H2S 25 ppm / CO 50 ppm / CH4 50% LEL / O2 12% in N2, 34AL	230.00
81-0154RK-02	Cylinder, H2S 25 ppm / CO 50 ppm / CH4 50% LEL / O2 12% in N2, 58AL	190.00
81-0154RK-04	Cylinder, H2S 25 ppm / CO 50 ppm / CH4 50% LEL / O2 12% in N2, 34AL	160.00
81-0154RK-116	Cylinder, H2S 25 ppm / CO 50 ppm / CH4 50% LEL / O2 12% in N2, 116AL	320.00
81-0158RK-02	Cylinder, H2S 25 ppm / CO 50 ppm / isobutane 50% LEL / O2 12% in N2, 58AL	220.00
81-0158RK-04	Cylinder, H2S 25 ppm / CO 50 ppm / isobutane 50% LEL / O2 12% in N2, 34AL	160.00
81-0170RK-02	Cylinder, SO2 5 ppm in N2, 58AL	160.00
81-0170RK-04	Cylinder, SO2 5 ppm in N2, 34AL	140.00
81-0176RK-02	Cylinder, NH3 25 ppm in N2, 58AL	300.00
81-0176RK-04	Cylinder, NH3 25 ppm in N2, 34AL	280.00
81-0182RK-02	Cylinder, NO2 5 ppm in air, 58AL	300.00
81-0182RK-04	Cylinder, NO2 5 ppm in air, 34AL	260.00
81-0185RK-04	Cylinder, PH3 0.5 ppm in N2, 34AL	260.00
81-0186RK-02	Cylinder, PH3 5 ppm in N2, 58AL	280.00
81-0190RK-02	Cylinder, Cl2 5 ppm in N2, 58AL	340.00
81-0190RK-04	Cylinder, Cl2 5 ppm in N2, 34AL	220.00
81-0196RK-02	Cylinder, HCN 10 ppm in N2, 58AL	300.00
81-0196RK-04	Cylinder, HCN 10 ppm in N2, 34AL	280.00

Premier Portable Instruments

SDM-6000 Calibration Gas and Hardware

<u>Part#</u>	<u>Description</u>	<u>Suggested Retail</u>
81-0196RK-04	Cylinder, HCN 10 ppm in N2, 34AL	280.00
81-1055RK	Regulator, demand flow for 17L/34L steel steel cylinders	280.00
81-1500RK	Cylinder holder for 58 liter aluminum cylinders	20.00
81-1501RK	Cylinder holder for 103 liter steel cylinders and 116 liter aluminum cylinders	20.00
81-1502RK	Cylinder holder for 17/34 liter steel cylinders, and for 34 liter aluminum cylinders	20.00

Specialty Portable Instruments

GP-1000 Sample Draw Combustible with 25 Selectable Gases

Part#	Description	Suggested Retail
72-0076-CH4	GP-1000 sample draw combustible detector for methane, 0 - 10% LEL / 100% LEL	995.00
72-0076-CH4-01	GP-1000 sample draw combustible detector for methane, 0 - 10% LEL / 100% LEL, with carrying case and screen protector	1,100.00
72-0076-CH4-51	GP-1000 sample draw combustible detector for methane, 0 - 10% LEL / 100% LEL, with carrying case, 34L 50% LEL CH4 in Air, demand flow regulator, tubing and screen protector	1,605.00
72-0076-HC	GP-1000 sample draw combustible detector for isobutane, 0 - 10% LEL / 100% LEL	995.00



Calibration Kits

Instrument #	Cal-Kit Part #	Cal-Kit Description	Price
72-0076-CH4 72-0076-CH4-01	81-GP1000-DLV	Cal kit, GP-1000, 34AL 50% CH4 in air, dem flow reg, case & tubing	435.00
72-0076-HC	81-GP1000IBDLV	Cal kit, GP-1000, 34AL 50% isobutane in air, dem flow reg, case & tubing	435.00

NC-1000 PPM Scale Combustible Detector

Part#	Description	Suggested Retail
72-0077-HC	NC-1000 sample draw combustible detector for isobutane, 0 - 1000 ppm / 10,000 ppm	1,895.00



GP-1000 & NC-1000 Accessories & Replacement Parts

Part#	Description	Suggested Retail
07-2033	Gasket for sensor, fluorine contained rubber for GP-1000 & NC-1000.....	5.40
10-1132	Screw M3 x 8, SUS304	2.00
13-0112RK	Wrist strap	4.00
17-1000RK	Inlet fitting (also needs o-ring 07-6000RK) for RP-3R/RP-6	8.80
20-0273	Carrying case with shoulder strap, for GP/NC-1000	110.00
21-1140	LCD Module for GP-1000 & NC-1000	50.00
21-1926	LCD protection film for instrument display for GX-6000, GP-1000, & NC-1000	5.40
21-1926-01	LCD protection film for instrument display, pack of 5 for GX-6000, GP-1000, & NC-1000	30.00
21-1936	Filter case, IP252BR1, for NC-1000	18.00
21-1937	Top cover assembly for NC-1000	178.00
21-1940	Battery lid for FP-31, GP-1000, & NC-1000.....	5.40
21-1941	Batter lid locking plate for FP-31, GP-1000,& NC-1000	2.00
30-0022RK	Pump replacement for GX-2012/Gas Tracer/RP-3R/RP-2009/GX-6000/FP-31/NC-1000, with cable and connector	140.00
33-0159RK	Teflon filter disk, 10 pieces, RP-3R/RP-2009/RP-6/GX-2003/GX-2012/Gas Tracer/GX-6000/NC-1000	24.00
33-0179	Hydrophobic filter for main case of GP-1000 & NC-1000	3.60
33-6017	H2S removal cartridge filter CF-8390	46.00
33-7127	Silicone removal cartridge filter CF-8391	46.00
49-1406RK	Battery, lithium, CR 1220, for main PCB for GX-2012, Gas Tracer, GP-1000, & NC-1000, snap in type.....	4.40
80-0172	Probe with hydrophobic filter, dust filter, no scrubber section, for GX-6000 (not for Cl2 use)/GX-8000/RX-8000	35.00
80-0173	Probe with tube, GF-267, with middle section for scrubber,for GX-6000	26.00
80-0402	Diluter (Gas: Air = 1:1)	88.00
NC-6215	Sensor, LEL, NC-6215, GX-8000 and GP-1000	360.00
NC-6307	Sensor for NC-1000, catalytic.....	380.00

Calibration Kits

Instrument #	Cal-Kit Part #	Cal-Kit Description	Price
72-0077-HC	81-NC1000-DLV	Cal kit, NC-1000, 34AL isobutane 500 ppm in air, dem flow reg, case & tubing	435.00

Specialty Portable Instruments

SP-220 Combustible, Toxic, and Fumigant Leak Detector

<u>Part#</u>	<u>Description</u>	<u>Suggested Retail</u>
72-0064-05	SP-220 gas leak checker, type SC for super toxics.....	680.00
72-0064-06	SP-220 gas leak checker, type FUM for fumigation gases.....	840.00
72-0064-07	SP-220 gas leak checker, type M for methane	840.00
72-0064-08	SP-220 gas leak checker, type L for LPG	840.00
72-0064-09	SP-220 gas leak checker, type F for chlorofluorocarbons CFC's	840.00
72-0064-10	SP-220 gas leak checker, type H2 for hydrogen	895.00



SP-220 Accessories & Replacement Parts

<u>Part#</u>	<u>Description</u>	<u>Suggested Retail</u>
07-2002	Filter packing for SP-220, black	5.40
07-6045	O-ring JASO 2026 EPDM, for SP-220	5.20
13-0112RK	Wrist strap	4.00
17-1001RK	Tapered rubber inlet nozzle, 4", RP-3R/RP-2009/RP-6/GX-2003/GX-2012/Gas Tracer	8.00
20-0328	Protective rubber boot for SP-220	62.00
29-6100	Water immersion sensing seal, adhesive backed for 03 series, GX-6000, and SP-220	10.00
30-0022RK	Pump replacement for GX-2012/Gas Tracer/RP-3R/RP-2009/GX-6000/FP-31/NC-1000, with cable and connector	140.00
33-0153	Filter disks, teflon for SP-220, pack of 5	10.00
33-0178	Dust filter for SP-220, set of 5 pieces	18.00
33-6099	Charcoal filter cartridge for SP-220, CF-8392	27.00
49-1120RK	Size AA alkaline battery	1.40
SH-8661	Sensor for SP-220 type methane & LPG versions	350.00
SH-8662	Sensor for SP-220 type FUM & SC versions	425.00

FP-31 Formaldehyde Monitor

<u>Part#</u>	<u>Description</u>	<u>Suggested Retail</u>
73-1063	Model FP-31 (15 & 30 minute averages) Formaldehyde monitor	1,050.00



Instrument Price Includes

4 AA batteries, Box of 20 detection tablets

Replacement Parts & Accessories

<u>Part#</u>	<u>Description</u>	<u>Suggested Retail</u>
15-0503	Spring for positive battery contact on FP-31	4.00
15-0504	Battery spring A for FP-31	2.40
15-0505	Battery spring B for FP-31	3.60
21-1940	Battery lid for FP-31, GP-1000, & NC-1000	5.40
21-1941	Batter lid locking plate for FP-31, GP-1000,& NC-1000	2.00
21-1942	Top case assembly for FP-31	68.00
30-0022RK	Pump replacement for GX-2012/Gas Tracer/RP-3R/RP-2009/GX-6000/FP-31/NC-1000, with cable and connector	140.00
33-3014RK	Dust/Tobacco filter, GX-8000/RX-8000/FP-31, pack of 10	5.00
49-1406RK	Battery, lithium, CR 1220, for main PCB for GX-2012, Gas Tracer, GP-1000, & NC-1000, snap in type	4.40
51-1134	LCD module for FP-31	54.00
57-2091	Main PCB assembly for FP-31	360.00
57-5092	Tab cover assembly for FP-31	56.00
65-TAB-008	Detection tablets for FP-31/-30/-40, box of 20, (1 test each) Formaldehyde (use for -008,-009,-010)	85.00
81-FP31	Calibration and zero tabs for FP-31	625.00
82-1001	Tripod stand for FP-31	94.00
82-1001-01	Tripod attachment for FP-31	40.00

Specialty Portable Instruments

FI-8000 Optical Interferometer for Fumigants

<u>Part#</u>	<u>Description</u>	<u>Suggested Retail</u>
73-4021-XX-01	FI-8000 for fumigation, hand aspirated type with alkaline batteries, 48 mm chamber length, specify gas and range	4,600.00
73-4022-XX-01	FI-8000 for fumigation, pump type with alkaline batteries, 48 mm chamber length, specify gas and range	4,600.00



ORDERING INFORMATION: When ordering an FI-8000 Interferometer, please specify the following components:

- 1) Gas and range
- 2) Pump type or hand aspirator type (select by part number above).

Instrument Price Includes

Instrument, vinyl case, hose, absorption tube, & alkaline batteries

Replacement Parts & Accessories

<u>Part#</u>	<u>Description</u>	<u>Suggested Retail</u>
49-1120RK	Size AA alkaline battery	1.40
49-1320RK	Battery, Ni-MH, AA	4.00
49-3105RK	Charger, Ni-MH, charges four AA or AAA size with A/C adapter and DC vehicle plug	45.00

SC-8000 Toxic Sample Draw Gas Monitor

<u>Part#</u>	<u>Description</u>	<u>Suggested Retail</u>
73-0052-XXX	SC-8000 alkaline version, (use -XXX to specify gas)	2,300.00
73-0053-XXX	SC-8000 Li-ion version, (use -XXX to specify gas)	2,500.00



Replacement Sensors

<u>Part#</u>	<u>Description</u>	<u>Suggested Retail</u>
ESM-23-CO	Sensor, Carbon Monoxide (CO), 0-150 ppm, for GD-K88Ai, GD-K71D, GD-K77D, and SC-8000	480.00
ESM-238-SO2	Sensor, Sulfur Dioxide (SO2), 0-6 ppm, for GD-K71D, GD-K77D, and SC-8000	480.00
ESM-23AH-NO2	Sensor, Nitrogen Dioxide (NO2), 0-15 ppm, for GD-K88Ai, GD-K71D, GD-K77D, and SC-8000	480.00
ESM-23AH-PH3	Sensor, Phosphine (PH3), 0-1 ppm, for GD-K88Ai, GD-K71D, GD-K77D, and SC-8000	480.00
ESM-23AH-SiH4	Sensor, Silane (SiH4), 0-15 ppm, low H2 response, for GD-K88Ai, GD-K71D, GD-K77D, and SC-8000	480.00
ESM-23AHS-ASH3	Sensor, Arsine (AsH3), 0-0.2 ppm, for GD-K88Ai, GD-K71D, GD-K77D, and SC-8000	480.00
ESM-23AY-B2H6	Sensor, Diborane (B2H6), 0-0.3 ppm, for GD-K88Ai, GD-K71D, GD-K77D, and SC-8000	480.00
ESM-23DH-GEH4	Sensor, Germane (GeH4), 0-0.8 ppm, for GD-K88Ai, GD-K71D, GD-K77D, and SC-8000	480.00
ESM-23DH-H2O2	Sensor, Hydrogen Peroxide (H2O2), 0-3 ppm, for GD-K88Ai, GD-K71D, GD-K77D, and SC-8000	480.00
ESM-23DH-H2O2-1	Sensor, Hydrogen Peroxide (H2O2), 0-0.500 ppm, for GD-K88Ai, GD-K71D, GD-K77D, and SC-8000	480.00
ESM-23DH-HCN	Sensor, Hydrogen Cyanide (HCN), 0-15 ppm, for GD-K88Ai, GD-K71D, GD-K77D, and SC-8000	480.00
ESM-23DH-MS	Sensor, Methyl Silane (CH3SiH3), 0-20 ppm, for GD-K88Ai, GD-K71D, GD-K77D, and SC-8000	480.00
ESM-23DH-Si2H6	Sensor, Disilane (Si2H6), 0-15 ppm, for GD-K88Ai, GD-K71D, GD-K77D, and SC-8000	480.00
ESM-23DH-SiH4	Sensor, Silane (SiH4), 0-15 ppm, for GD-K88Ai, GD-K71D, GD-K77D, and SC-8000, with H2 response	480.00
ESM-23E-HBR	Sensor, Hydrogen Bromide (HBr), 0-9 ppm, for GD-K88Ai, GD-K71D or GD-K77D	480.00
ESM-23E-HCL	Sensor, Hydrogen Chloride (HCl), 0-15 ppm, (with H2 response) for GD-K88Ai, GD-K71D, GD-K77D, and SC-8000	480.00
ESM-23E-SO2	Sensor, Sulfur Dioxide (SO2), 0-30 ppm, for GD-K88Ai, GD-K71D, GD-K77D, and SC-8000	480.00
ESM-23R-NH3	Sensor, Ammonia (NH3), 0-75 ppm, for GD-K88Ai, GD-K71D, GD-K77D, and SC-8000	480.00
ESM-23RH-NH3	Sensor, Ammonia (NH3), 0-75 ppm, for GD-K88Ai, GD-K71D, GD-K77D, and SC-8000, high humidity use	480.00
ESM-K233-CL2	Sensor, Chlorine (Cl2), 0-3 ppm, for GD-K88Ai, GD-K71D, GD-K77D, and SC-8000	480.00
ESM-K233-F2	Sensor, Fluorine (F2), 0-3 ppm, for GD-K88Ai, GD-K71D, GD-K77D, and SC-8000	480.00
ESM-K233-HCL	Sensor, Hydrogen Chloride (HCl), 0-15 ppm, for GD-K88Ai, GD-K71D, GD-K77D, and SC-8000	480.00
ESM-K233-HF	Sensor, Hydrogen Fluoride (HF), 0-9 ppm, for GD-K88Ai, GD-K71D, GD-K77D, and SC-8000	480.00
ESM-K233CS-CLF3	Sensor, Chlorine Trifluoride (ClF3), 0-0.6 ppm, for GD-K88Ai, GD-K71D, GD-K77D, and SC-8000 (no acid gas sensitivity)	480.00
ESM-K239C-O3	Sensor, Ozone (O3), 0-1.0 ppm, for GD-K88Ai, GD-K71D, GD-K77D, and SC-8000	480.00

Specialty Portable Instruments

SC-8000 Toxic Sample Draw Gas Monitor

Calibration Kits

Instrument #	Cal-Kit Part #	Cal-Kit Description	Price
73-0052-ASH3 73-0053-ASH3	81-5107RKS-LV	Cal kit, EAGLE, 34AL cyl PH3/N2, 34L cyl N2 100%, reg, gas bag, screwdriver, case & tubing	760.00
73-0052-CL2 73-0053-CL2 73-0052-F2 73-0053-F2 73-0052-HBR 73-0053-HBR 73-0052-HF 73-0053-HF	81-5106RK-DLV	Cal kit, EAGLE, 34AL cyl 2 ppm Chlorine/N2, dem reg, screwdriver, case & tubing	660.00
73-0052-CO 73-0053-CO	81-5104RK-LV	Cal kit, EAGLE, 34L cyl 50 ppm Carbon Monoxide/Air, disp valve, gas bag, case & tubing	240.00
73-0052-HCL 73-0053-HCL	81-5110RK-LV	Cal kit, EAGLE, 34AL cyl 5 ppm Hydrogen Chloride in N2, reg, gas bag, screwdriver, case & tubing	595.00
73-0052-HCN 73-0053-HCN	81-5123RK-DLV	Cal kit, EAGLE, 34AL cyl 10 ppm Hydrogen Cyanide/N2, dem reg, screwdriver, case & tubing	620.00
73-0052-NH3 73-0053-NH3	81-5111RK-DLV	Cal kit, EAGLE, 34AL cyl 10 ppm Ammonia/N2, dem reg, screwdriver, case & tubing	720.00
73-0052-NO2 73-0053-NO2	81-5114RK-LV	Cal kit, EAGLE, 34AL cyl 10 ppm Nitrogen Dioxide/Air, reg with gauge & knob, screwdriver, case & tubing	575.00
73-0052-O3 73-0053-O3	81-5109RK	Cal kit, EAGLE, 58AL cyl 2 ppm Chlorine/N2, 103L cyl 100% Nitrogen, reg, gas bag, screwdriver, case & tubing	755.00
73-0052-PH3 73-0053-PH3	81-5108RK-DLV	Cal kit, EAGLE, 34AL cyl 0.5 ppm Phosphine/N2, dem reg, screwdriver, case & tubing	690.00
73-0052-SIH4 73-0053-SIH4	81-5117RK	Cal Kit, EAGLE, 58AL cyl 5 ppm Silane/N2, dem flow reg, screwdriver, case & tubing	625.00
73-0052-SO2 73-0053-SO2	81-5105RK-LV	Cal kit, EAGLE, 34AL cyl 5 ppm SO2/N2, reg, gas bag, screwdriver, case & tubing	430.00

Replacement Parts & Accessories

Part#	Description	Suggested Retail
21-1799	Front cover with display window label for SC-8000	53.00
30-0023RK	Pump with cable and connector, RP-11, for GX-8000/RX-8000/SC-8000	350.00
49-0115RK	115 / 220 VAC Adapter for charger, GX-6000/GX-2009/GX-2012/Gas Tracer/EAGLE 2/GX-8000/SC-8000 ...	20.00
49-1120RK	Size AA alkaline battery	1.40
49-1627	Battery pack, alkaline, BUD-8000(S) for SC-8000	350.00
49-1628	Battery pack, Li-Ion, BUD-8000(S1) for SC-8000	650.00
51-1138	LCD module for GX-8000 / SC-8000	115.00
80-0175	Sampling Probe for SC-8000	63.00

Specialty Portable Instruments

GX-8000 Harsh Environment Sample Draw Gas Monitor



Combustibles (CH4, i-C4H10, H2, and others)		O2	H2S	CO
% LEL	% Volume			
Catalytic combustion	Thermal Conductivity	Galvanic Cell	Electrochemical Cell	
0 ~ 100% LEL	0 ~ 100% Vol.	0 ~ 40% Vol.	0 ~ 100 ppm	0 ~ 500 ppm

Part#	Description	Suggested Retail
72-0320RK	GX-8000, 1 sensor, LEL (specify calibration) with alkaline battery pack	1,275.00
72-0320RKC	GX-8000, 1 sensor, LEL (specify calibration) with Li-Ion battery pack and 115/220 VAC charger	1,645.00
72-0321RK	GX-8000, 1 sensors, O2 with alkaline battery pack	1,275.00
72-0321RKC	GX-8000, 1 sensor, Oxygen (O2) with lithium ion battery pack and 115/220 VAC charger	1,645.00
72-0322RKC	GX-8000, 2 sensors, LEL (specify calibration) / Oxygen (O2) with lithium ion battery pack and 115/220 VAC charger	2,395.00
72-0323RKC	GX-8000, 3 sensors, LEL (specify calibration) / Oxygen (O2) / Hydrogen Sulfide (H2S) with lithium ion battery pack and 115/220 VAC charger	3,275.00
72-0324RKC	GX-8000, 3 sensors, LEL (specify calibration) / Oxygen (O2) / Carbon Monoxide (CO) with lithium ion battery pack and 115/220 VAC charger	3,275.00
72-0325RKC	GX-8000, 3 sensors, LEL (specify calibration) / % volume Methane (CH4) / Oxygen (O2) with lithium ion battery pack and 115/220 VAC charger	3,275.00
72-0326RKC	GX-8000, 4 sensors, LEL (specify calibration) / Oxygen (O2) / Hydrogen Sulfide (H2S) / Carbon Monoxide (CO) with lithium ion battery pack and 115/220 VAC charger	3,750.00
72-0326RKC-01	GX-8000, 4 sensors, LEL (specify calibration) / Oxygen (O2) / Hydrogen Sulfide (H2S) / Carbon Monoxide (CO) with lithium ion battery pack and 115/220 VAC charger, special version for coal / bulk carriers with dilution fitting for inert applications	3,790.00
72-0327RKC	GX-8000, 5 sensors, % Vol (CH4) / LEL / O2 / H2S / CO with Li-Ion battery pack and 115/220 VAC charger	3,995.00

Instrument Price Includes

3' coiled hose, probe, and Operators Manual

Replacement Sensors

Part#	Description	Suggested Retail
65-1058RK	Sensor, Oxygen (O2), OS-BM1 for RX-8000, GX-8000, RX-515, -516, -517, GX-94	150.00
65-2008RK	Sensor, Carbon Monoxide (CO) (E5-031), GX-94 / GX-8000	175.00
ES-0371-H2S	Sensor, Hydrogen Sulfide (H2S), 0 - 100 ppm for GX-8000	280.00
NC-6215	Sensor, LEL, NC-6215, GX-8000 and GP-1000	360.00
TE-7515	Sensor, TC % volume combustibles, thermal conductivity, TE-7515, GX-8000	360.00

GX-8000 Replacement Parts & Accessories *Note:* 49-0115RK adapter is the complete charger for the GX-8000 series.

Part#	Description	Suggested Retail
20-0281RK	Carrying case, leather for GX-8000/RX-8000	220.00
30-0023RK	Pump with cable and connector, RP-11, for GX-8000/RX-8000/SC-8000	350.00
33-0180	Hydrophobic filter disk, for CF-8385, GX-8000/RX-8000, pack of 10	12.00
33-3001	Float type sampling head with hydrophobic filter (GSN-8)	75.00
33-3014RK	Dust/Tobacco filter, GX-8000/RX-8000/FP-31, pack of 10	5.00
33-3060RK	Filter tube with cotton filter for GX-8000/RX-8000 (for GF-256 probe)	18.00
33-3061	Filter tube, with cotton, CF-8385, for GX/RX-8000	70.00
33-7122RK	Filter, charcoal disk, CF031, for GX-8000, pack of 10	44.00
49-0115RK	115 / 220 VAC Adapter for charger, GX-6000/GX-2009/GX-2012/Gas Tracer/EAGLE 2/GX-8000/SC-8000 ...	20.00
49-1120RK	Size AA alkaline battery	1.40
49-1613RK	Battery pack, lithium ion, GX-8000	780.00
49-1614RK	Battery pack, alkaline, GX-8000	440.00
51-1138	LCD module for GX-8000 / SC-8000	115.00
65-7002	Dummy Sensor, plastic, GX-8000/RX-8000	14.00
80-0011RK	Hose, 30 meter, quick disconnect, RI-415 marine version, Riken style (orange)	240.00
80-0012RK	Hose, 3' coiled, polyurethane, RI-411/RI-413A/GP-226/GX-8000/RX-8000	45.00
80-0022RK	Connection tube for GX-8000/RX-515/RX-516/RX-517/RX-8500/RX-8700/GX-8000	20.00
80-0101RK	Hose with floating head, 8 meters (25 feet), with GX-/RX- series	100.00
80-0101RK-60	Hose with floating head, 60 ft, with GX-7 fitting, RX- series	125.00
80-0172	Probe with hydrophobic filter, dust filter, no scrubber section, for GX-6000/ (not for Cl2 use) /GX-8000/RX-8000/GX-Force/GX-2012/GasTracerGX-2001/GX-2003/RP-3R	35.00
80-0176	Diluter adapter for bulk carrier application, GX-8000	395.00

Specialty Portable Instruments

RX-8000 Series IR Combustible Monitor, 0 - 100% LEL / Volume

<u>Part#</u>	<u>Description</u>	<u>Suggested Retail</u>
73-0617	RX-8000, 0-100% LEL & 0-100% vol CH4 (methane calibration) with alkaline battery pack	2,295.00
73-0617C	RX-8000, 0-100% LEL & 0-100% vol CH4 (methane calibration) with lithium ion battery pack and 115 / 220 VAC charger	2,340.00
73-0618	RX-8000, 0-100% LEL & 0-100% vol HC (isobutane calibration) with alkaline battery pack	2,295.00
73-0618C	RX-8000, 0-100% LEL & 0-100% vol HC (isobutane calibration) with lithium ion battery pack and 115 / 220 VAC charger	2,340.00



Calibration Kits

<u>Instrument #</u>	<u>Cal-Kit Part #</u>	<u>Cal-Kit Description</u>	<u>Price</u>
73-0617 73-0617C	81-RI415CH4	Cal kit, RI-415/RX-8000, 34L cyl 50% LEL CH4/Air, 34L cyl 50% vol CH4/Air, disp valve, gas bag, two gas bags, case & tubing	355.00
73-0618 73-0618C	81-RI415HC	Cal kit, RI-415/RX-8000, 34L cyl 50% LEL isobutane/N2, 17L cyl 10% vol isobutane/N2, disp valve, two gas bags, case & tubing	345.00

RX-8000 Series Dual Gas IR For LEL/Volume HC & Oxygen (RX-415 replacement)

<u>Part#</u>	<u>Description</u>	<u>Suggested Retail</u>
73-0615	RX-8000, 0-100% LEL & 0-100% vol CH4, & 0-25% O2, land version (methane calibration) with alkaline battery pack	2,395.00
73-0615C	RX-8000, 0-100% LEL & 0-100% vol CH4, & 0-25% O2, land version (methane calibration) with lithium ion battery pack and 115 / 220 VAC charger	2,440.00
73-0616	RX-8000, 0-100% LEL & 0-100% vol HC, & 0-25% O2, (isobutane calibration) with alkaline battery pack	2,395.00
73-0616C	RX-8000, 0-100% LEL & 0-100% vol HC, & 0-25% O2, (isobutane calibration) with lithium ion battery pack and 115 / 220 VAC charger	2,440.00

Calibration Kits

<u>Instrument #</u>	<u>Cal-Kit Part #</u>	<u>Cal-Kit Description</u>	<u>Price</u>
73-0615 73-0615C	81-RX415CH4	Cal kit, RX-415/RX-8000, 34L cyl 50% LEL CH4/Air, 34L cyl 50% vol CH4/Air, 34L cyl 100% N2, disp valve, 3 gas bags, case & tubing	440.00
73-0616 73-0616C	81-RX415HC	Cal kit, RX-415/RX-8000, 34L cyl 50% LEL isobutane/Air, 17L cyl 10% vol isobutane/Air, 34L cyl 100% N2, disp valve, three gas bags, case & tubing	430.00
	81-RX415HCD	Cal kit, RX-415/RX-8000, 34L cyl 50% LEL isobutane/Air, 34L cyl 10% vol isobutane/Air, 34L cyl 100% N2, dem flow reg, case & tubing	555.00

RX-8000 Replacement Sensor

<u>Part#</u>	<u>Description</u>	<u>Suggested Retail</u>
65-1058RK	Sensor, Oxygen (O2), OS-BM1 for RX-8000, GX-8000, RX-515, -516, -517, GX-94	150.00
DE-3113-13	Sensor, IR, Methane (CH4) 0 - 100% LEL / 0 - 100% volume auto range for RX-8000	1,300.00
DE-3123-4	Sensor, IR, Hydrocarbons (HC) 0 - 100% LEL / 0 - 100% volume auto range for RX-8000	1,300.00

Specialty Portable Instruments

RX-8000 Replacement Parts & Accessories

<u>Part#</u>	<u>Description</u>	<u>Suggested Retail</u>
20-0281RK	Carrying case, leather for GX-8000/RX-8000	220.00
21-1808RK	Charcoal filter case (lid) for GX-8000/RX-8000	3.80
30-0023RK	Pump with cable and connector, RP-11, for GX-8000/RX-8000/SC-8000	350.00
33-0180	Hydrophobic filter disk, for CF-8385, GX-8000/RX-8000, pack of 10	12.00
33-3014RK	Dust/Tobacco filter, GX-8000/RX-8000/FP-31, pack of 10	5.00
33-3015RK	Filter, pleated paper type for 80-0182RK and 80-0211RK water trap	11.00
33-3060RK	Filter tube with cotton filter for GX-8000/RX-8000 (for GF-256 probe)	18.00
45-2430RK	Plug adapter for charger, US to Euro, non-grounded	3.60
47-5084RK-01	Downloading cable, USB / IrDA adapter, Windows XP, Windows 7, Windows 8, Windows 10, and Windows 11 compatible	230.00
49-0115RK	115 / 220 VAC Adapter for charger, GX-6000/GX-2009/GX-2012/Gas Tracer/EAGLE 2/GX-8000/SC-8000 ...	20.00
49-1617	Battery pack, lithium ion, BUL-8000 (R) for RX-8000	780.00
49-1618	Battery pack, alkaline, BUD-8000 (R) for RX-8000	440.00
65-7002	Dummy Sensor, plastic, GX-8000/RX-8000	14.00
80-0011RK	Hose, 30 meter, quick disconnect, RI-415 marine version, Riken style (orange)	240.00
80-0012RK	Hose, 3' coiled, polyurethane, RI-411/RI-413A/GP-226/GX-8000/RX-8000	45.00
80-0022RK	Connection tube for GX-8000/RX-515/RX-516/RX-517/RX-8500/RX-8700/GX-8000	20.00
80-0101RK	Hose with floating head, 8 meters (25 feet), with GX-/RX- series	100.00
80-0101RK-60	Hose with floating head, 60 ft, with GX-7 fitting, RX- series	125.00
80-0172	Probe with hydrophobic filter, dust filter, no scrubber section, for GX-6000/ (not for Cl2 use) / GX-8000/RX-8000/GX-Force/GX-2012/GasTracerGX-2001/GX-2003/RP-3R	35.00
81-0012RK-01	Cylinder, CH4 50% LEL in air, 34L steel	55.00
81-0013RK-01	Cylinder, CH4 50% volume in N2, 34L steel	55.00
81-0018RK-01	Cylinder, isobutane 50% LEL in air, 34L steel	55.00
81-0019RK	Cylinder, isobutane 10% volume in N2, 17L steel	45.00
81-0078RK-01	Cylinder, N2 100%, 34L steel	55.00
81-1131RK	Gas bag, Green, LEL range, for RI/RX-415	45.00
81-1132RK	Gas bag, Orange, Volume range, for RI/RX-415	45.00

Note: 49-0115RK adapter is the complete charger for the RX-8000 series.

RX-8500 LEL, % Vol CH4 IR / O2 / CO / CO2

<u>Part#</u>	<u>Description</u>	<u>Suggested Retail</u>
73-0620	RX-8500, 0-100% LEL & 0-100% Vol CH4 (methane calibration) / 0-40% oxygen / 0-1000 ppm CO / 0-20% CO2 with Li-Ion battery and charger.....	3,250.00



Replacement Sensors

<u>Part#</u>	<u>Description</u>	<u>Suggested Retail</u>
65-1058RK	Sensor, Oxygen (O2), OS-BM1 for RX-8000, GX-8000, RX-515, -516, -517, GX-94	150.00
DE-3123-5	Sensor, IR, Methane (CH4), 0 - 100% LEL / 0 - 100% volume / Carbon Dioxide (CO2) 0 - 20% volume for RX-8500	1,200.00
ES-031M-CO	Sensor, Carbon Monoxide (CO), 0 - 1,000 ppm for RX-8500 / RX-515	225.00

Specialty Portable Instruments

RX-8700 LEL, % Vol HC IR / O2 / H2S Low & High Range

Part#	Description	Suggested Retail
73-0622	RX-8700, 0-100% LEL & 0-100% Vol HC (isobutane calibration) / 0-40% Oxy / 0-100 ppm H2S & 0-1,000 ppm H2S, with Li-Ion battery & charger	3,250.00



Replacement Sensors

Part#	Description	Suggested Retail
65-1058RK	Sensor, Oxygen (O2), OS-BM1 for RX-8000, GX-8000, RX-515, -516, -517, GX-94	150.00
DE-3123-4	Sensor, IR, Hydrocarbons (HC) 0 - 100% LEL / 0 - 100% volume auto range for RX-8000	1,300.00
ES-037R-H2S	Sensor, Hydrogen Sulfide (H2S), low range 0 - 100 ppm, ES-037R for RX-516/RX-517	150.00
ES-037RM-H2S	Sensor, Hydrogen Sulfide (H2S), high range 0 - 1,000 ppm, ES-037R, for RX-517	225.00

RX-8500 and RX-8700 Replacement Parts & Accessories

Part#	Description	Suggested Retail
07-2029	Gasket, upper case for GX-8000/RX-8000/RX-8700	5.50
07-2030	Gasket, bottom case, GX-8000/RX-8000/RX-8700.....	5.50
07-6051	O-ring, 2.62 mm diameter, battery compartment sealing for RP-3R/RP-3R PRO/RX-8500/RX-8700	2.60
10-1088	Screw, M2 x 6, for sensor retainer and battery retainer, for GasWatch 3	1.00
13-1117	Panel screw, M3 x 8 mm, 304 SS, cross recessed pan head, for GX-8000/RX-8500/RX-8700 battery cover.....	1.80
21-1809	Filter case with nipple for tobacco filter on GX/RX-8000/RX-8700	3.80
29-6100	Water immersion sensing seal, adhesive backed for 03 series, GX-6000, SP-220, and GX-Force	10.00
30-0023RK	Pump with cable and connector, RP-11, for GX-8000/RX-8000/SC-8000.....	350.00
33-0180	Hydrophobic filter disk, for CF-8385, GX-8000/RX-8000, pack of 10	12.00
33-1031RK	Cotton balls, filters for probe, bag of 25 (For 80-0150RK old style probe)	4.00
33-3014RK	Dust/Tobacco filter, GX-8000/RX-8000/FP-31, pack of 10.....	5.00
47-5085RK	USB A to USB mini B cable, 6 feet	8.00
49-0115RK	115 / 220 VAC Adapter for charger, GX-6000/GX-2009/GX-2012/Gas Tracer/EAGLE 2/GX-8000/SC-8000 ...	20.00
49-1120RK	Size AA alkaline battery	1.40
49-1406RK	Battery, lithium, CR 1220, for main PCB for GX-2012, Gas Tracer, GP-1000, & NC-1000, snap in type.....	4.40
49-1622	Lithium ion battery pack, BUL-8000(Z1) for RX-8500 / RX-8700	650.00
49-1623	Alkaline battery pack, BUD-8000(Z1) for RX-8500 / RX-8700	360.00
80-0006-03	Hose for GX-6000/RX-8500/RX-8700, Teflon lined, 3 ft, no probe	45.00
80-0022RK	Connection tube for GX-8000/RX-515/RX-516/RX-517/RX-8500/RX-8700/GX-8000	20.00
80-0103RK	Hose, 30 meter, with float type sampling head, for RX-415/RX-516/RX-517/RX-8500/RX-8700.....	375.00
80-0172	Probe with hydrophobic filter, dust filter, no scrubber section, for GX-6000/ (not for CI2 use) / GX-8000/RX-8000/GX-Force/GX-2012/GasTracerGX-2001/GX-2003/RP-3R.....	35.00
81-0018RK-01	Cylinder, isobutane 50% LEL in air, 34L steel.....	55.00
81-0019RK	Cylinder, isobutane 10% volume in N2, 17L steel.....	45.00
81-0065RK-01	Cylinder, CO 100 ppm in air, 34 liter	55.00
81-0073RK-01	Cylinder, CO2 15% in N2, 34L steel	55.00
81-0078RK-01	Cylinder, N2 100%, 34L steel	55.00
81-0151RK-04	Cylinder, H2S 25 ppm in N2, 34AL	130.00
81-1126RK	Gas bag with fitting & hose barb, 9" x 12" tedlar, 3 liters	30.00
81-9042RK-01	Cylinder, CH4 60% LEL in air, 34L steel	100.00

Discontinued Portables Replacement Parts

01 Series Single Gas Monitor



<u>Part#</u>	<u>Description</u>	<u>Suggested Retail</u>
13-0112RK	Wrist strap	4.00
20-0317RK	Rubber bumper, battery end for -01 series	3.00
33-0166RK	Sensor cover, disc, 10 pack, GasWatch 2 / -01 series.....	18.00
33-7106RK	Charcoal filter disk for CO sensor, strip of 5, for CO-03, GasWatch 2, GasWatch 3	12.00
33-7114RK	Filter disk, H2S scrubber, strip of 5, for LEL sensor port, GP-01/GX-2001/GX-2009/ GX-2012/Gas Tracer/GX-6000/GP-03	10.00
49-1110RK	Battery, alkaline, AAA	1.40
57-2062RK	Analog PC board assembly for GP-01	105.00
57-2067RK	PC board assembly for sensor, buzzer and sensor socket for HS-01 and CO-01	68.00
71-8000RK	Training CD, EAGLE, GX-2001, GX-2003, GasWatch 2, and -01 series	0.00
81-0007RK-01	Cylinder, Hexane 15% LEL/air, 34L steel	55.00
81-0012RK-01	Cylinder, CH4 50% LEL in air, 34L steel	55.00
81-0064RK-01	Cylinder, CO 50 ppm in air, 34L steel	55.00
81-0078RK-01	Cylinder, N2 100%, 34L steel	55.00
81-0151RK-04	Cylinder, H2S 25 ppm in N2, 34AL	130.00
81-1104RK	Calibration adapter for -01 series & GasWatch 2	22.00

01 Series Replacement Sensors

<u>Part#</u>	<u>Description</u>	<u>Suggested Retail</u>
ES-1821	Sensor, Carbon Monoxide (CO) 0-500 ppm for GX-2009/GX-2012/GX-6000/CO-03/GasWatch 2/Gas Tracer	140.00
ES-1827i	Sensor, Hydrogen Sulfide (H2S) 0-100 ppm for GX-2009/GX-2012/GX-6000/HS-03/GasWatch 2	140.00
NC-6264A	Sensor, Methane (CH4) 0-100% LEL for GX-2009/GX-2012/GX-6000/GP-03/Gas Tracer	120.00
OS-BM2	Sensor, Galvanic, Oxygen (O2) 0-25% Vol. for GX-2009/GX-2012/GasTracer/GX-6000/OX-03/GasWatch 3	120.00

01 Series Calibration Kits

Instrument #	Cal-Kit Part #	Cal-Kit Description	Price
72-0008RK-XX	81-OX01-LV	Cal kit, OX-01, 34L cyl 100% N2, reg with gauge and knob, cal cup, case & tubing	325.00
72-0033RK-XX 72-0034RK-XX	81-GP01-HLV	Cal kit, GP-01, 34L cyl 15% LEL Hexane/Air, reg with gauge & knob, cal cup, case & tubing	325.00
	81-GP01-LV	Cal kit, GP-01, 34L cyl 50% LEL CH4/Air, reg with gauge & knob, cal cup, case & tubing	325.00
73-0044RK-XX	81-CO01-LV	Cal kit, CO-01, 34L cyl 50 ppm CO/N2, reg with gauge & knob, cal cup, case & tubing	325.00
73-0046RK-XX 73-0048RK-XX	81-HS01-LV	Cal kit, HS-01, 34AL cyl 25 ppm H2S/N2, reg with gauge & knob, cal cup, case & tubing	400.00

Discontinued Portables Replacement Parts

03 SERIES Single Gas Monitor



Part#	Description	Suggested Retail
06-1248RK	Tubing, polyurethane, 3/16" ID x 5/16" OD, per foot	2.00
07-6031	Gasket for battery compartment cover on 03 series	2.00
07-6032	Gasket between front and rear case of 03 series	2.40
07-6033	Sensor gasket for 03 or 04 series	2.00
07-6034	Rubber sheet around buzzer on main board of 03 series	1.40
10-1105-01	Screw, M 2 x 8 mm, pan head phillips, with washer, SUSXM7, for 03 series	4.00
13-0112RK	Wrist strap	4.00
13-0121	Alligator Clip for 03 series (requires 13-0204RK for installation)	25.00
13-0122	Belt Clip for 03 or 04 series	18.00
13-0204RK	Spring bar with outer tube for 03/04 Series and wrist band of GasWatch 2/GasWatch 3	1.40
13-1116	Screw for battery compartment cover of 03 series	4.00
15-0500	Battery contact short for 03 series	5.20
15-0501	Battery contact piece (-) for 03 series	2.60
15-0502	Battery contact piece (+) for 03 series	2.60
20-0110RK-01	Case for 1-3 cylinders, 17/34L/34AL, with foam	120.00
20-0115RK-01	Padded carrying case for one GX-3R, GX-3R Pro, GX-2009 or 03 series instrument and charger only	80.00
20-0325	Rubber boot for 03 or 04 series	14.00
21-1908	Battery compartment cover for 03 series	5.40
21-1909	Battery contact holder for 03 series	3.00
21-1910	Rear case for GP-03 and OX-03	16.00
21-1911	Rear case for CO-03 and HS-03	16.00
21-1913	Front case assembly for 03 series	20.60
29-0651	Label, silver, RKK address for 03 series	0.50
29-0652	Label, front for GP-03	6.00
29-0653	Label, front for OX-03	6.00
29-0654	Label, front for CO-03	6.00
29-0655	Label, front for HS-03	6.00
29-6100	Water immersion sensing seal, adhesive backed for 03 series, GX-6000, and SP-220	10.00
30-1055	Vibration motor for 03 series	20.00
33-0175	Hydrophobic filter, PF020 for 04 Series / 03 series / RP-2009/GasWatch 3	1.80
33-7106RK	Charcoal filter disk for CO sensor, strip of 5, for CO-03, GasWatch 2, GasWatch 3	12.00
47-5084RK-01	Downloading cable, USB / IrDA adapter, Windows XP, Windows 7, Windows 8, and Windows 10 compatible	230.00
49-1110RK	Battery, alkaline, AAA	1.40
49-1312	Battery, Ni-MH, AAA, Eneloop by Panasonic	12.60
49-2058RK-04	AC adapter 4 port charger for SDM-2009, SDM-2012, and SDM-03	88.00
49-3105RK	Charger, Ni-MH, charges four AA or AAA size with A/C adapter and DC vehicle plug	45.00
49-3106RK	Charger, Ni-MH, charges twelve AA or AAA size with A/C adapter and DC vehicle plug	75.00
51-1130	LCD Module for 03 series	18.00
57-1282	Main PC board assembly, GP-03	160.00
57-1283	Main PC board assembly, OX-03	150.00
57-1284	Main PC board assembly, CO-03	150.00
57-1285	Main PC board assembly, HS-03	150.00
81-0002RK-01	Cylinder, H2, 50% LEL in air, 34L steel	55.00
81-0002RK-03	Cylinder, H2, 50% LEL in air, 103L steel	150.00
81-0007RK-01	Cylinder, Hexane 15% LEL/air, 34L steel	55.00
81-0007RK-03	Cylinder, Hexane 10% LEL (0.11%) in air, 103L steel	150.00
81-0012RK-01	Cylinder, CH4 50% LEL in air, 34L steel	55.00
81-0012RK-03	Cylinder, CH4 50% LEL/air, 103L steel	150.00
81-0018RK-01	Cylinder, isobutane 50% LEL in air, 34L steel	55.00
81-0018RK-03	Cylinder, isobutane 50% LEL in air, 103L steel	150.00
81-0064RK-01	Cylinder, CO 50 ppm in air, 34L steel	55.00
81-0064RK-03	Cylinder, CO 50 ppm in air, 103L steel	150.00
81-0078RK-01	Cylinder, N2 100%, 34L steel	55.00
81-0078RK-03	Cylinder, N2 100%, 103L steel	150.00
81-0151RK-02	Cylinder, H2S 25 ppm in N2, 58AL	150.00

Discontinued Portables Replacement Parts

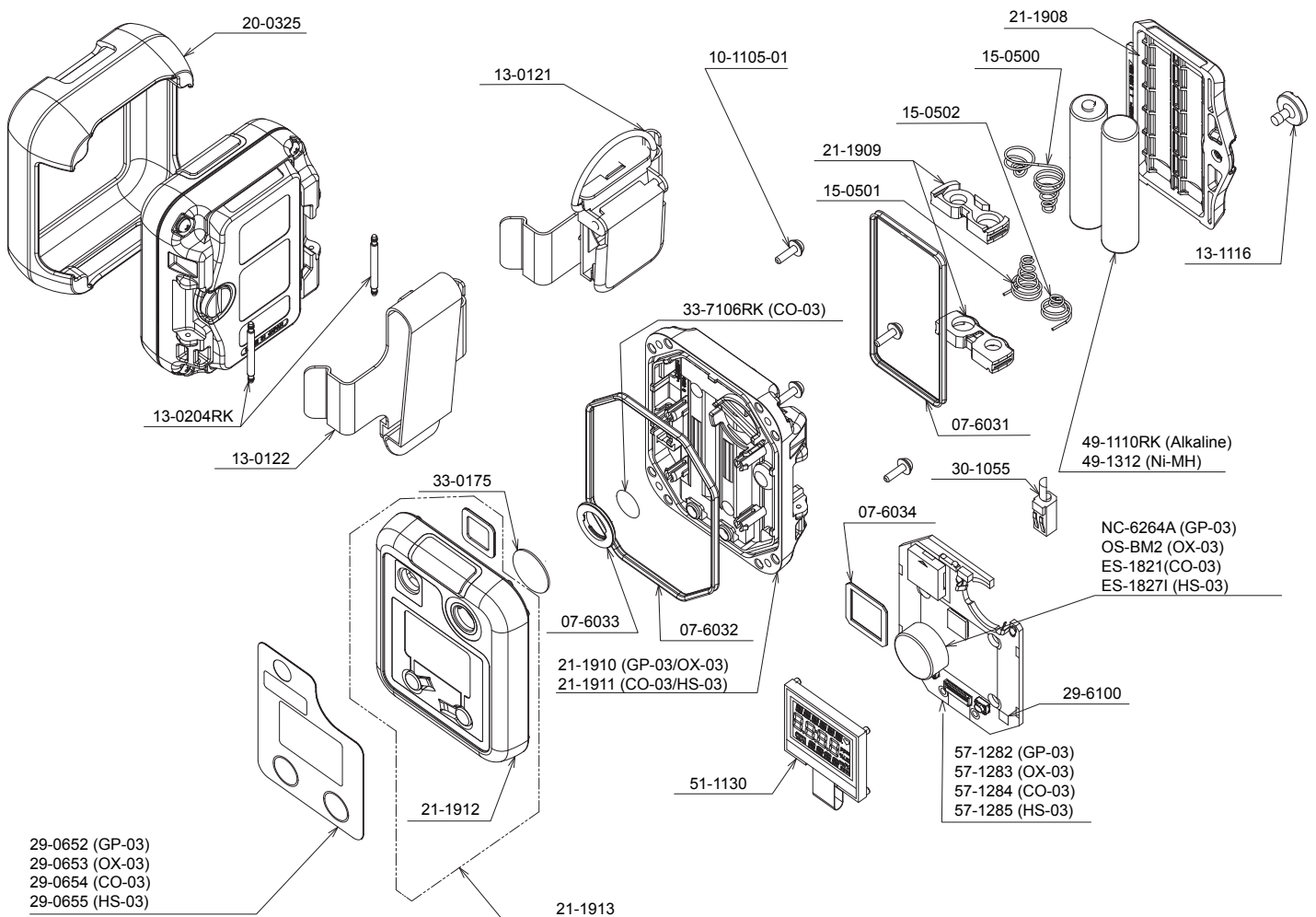
03 SERIES Single Gas Monitor

Part#	Description	Suggested Retail
81-0151RK-04	Cylinder, H2S 25 ppm in N2, 34AL	130.00
81-1050RK	Regulator, with gauge & knob, 17/34L, 0.5 LPM, CGA 600 fitting.....	125.00
81-1051RK	Regulator, with gauge & knob, 34AL/58AL/103L steel, 0.5 LPM, C-10 fitting	125.00
81-1146	Calibration adapter for 03 and 04 series	30.00

Replacement Sensors

Part#	Description	Suggested Retail
ES-1821	Sensor, Carbon Monoxide (CO) 0-500 ppm for GX-2009/GX-2012/GX-6000/CO-03/GasWatch 2/Gas Tracer	140.00
ES-1827i	Sensor, Hydrogen Sulfide (H2S) 0-100 ppm for GX-2009/GX-2012/GX-6000/HS-03/GasWatch 2	140.00
NC-6264A	Sensor, Methane (CH4) 0-100% LEL for GX-2009/GX-2012/GX-6000/GP-03/Gas Tracer	120.00
OS-BM2	Sensor, Galvanic, Oxygen (O2) 0-25% Vol. for GX-2009/GX-2012/GasTracer/GX-6000/OX-03/GasWatch 3	120.00

03 Series Spare Parts Diagram



Discontinued Portables Replacement Parts

03 Series Calibration Kits

Instrument #	Cal-Kit Part #	Cal-Kit Description	Price
72-0010	81-OX03	Cal kit, OX-03, 103L steel cyl 100% N2, regulator, cal cup, case & tubing	370.00
	81-OX03-LV	Cal kit, OX-03, 34L cyl 100% N2, regulator, cal cup, case & tubing	330.00
72-0037 72-0038	81-GP03	Cal kit, GP-03, 103L steel cyl 50% LEL CH4/Air, regulator, cal cup, case & tubing	370.00
	81-GP03-LV	Cal kit, GP-03, 34L cyl 50% LEL CH4/Air, regulator, cal cup, case & tubing	330.00
	81-GP03-HLV	Cal kit, GP-03, 34L cyl 15% LEL Hexane/Air, regulator, cal cup, case & tubing	330.00
	81-GP03H2-LV	Cal kit, GP-03, 34L cyl 50% LEL Hydrogen/Air, regulator, cal cup, case & tubing	330.00
	81-GP03IB-LV	Cal kit, GP-03, 34L cyl 50% LEL Isobutane/Air, regulator, cal cup, case & tubing	330.00
73-0060	81-CO03	Cal kit, CO-03, CO 50 ppm in air 103L steel cyl, regulator, cal cup, case & tubing	370.00
	81-CO03-LV	Cal kit, CO-03, CO 50 ppm in air 34L steel cyl, regulator, cal cup, case & tubing	330.00
	81-CO03	Cal kit, CO-03, CO 50 ppm in air 103L steel cyl, regulator, cal cup, case & tubing	370.00
	81-CO03-LV	Cal kit, CO-03, CO 50 ppm in air 34L steel cyl, regulator, cal cup, case & tubing	330.00
73-0062	81-HS03	Cal kit, HS-03, 58AL cyl 25 ppm H2S/N2, regulator, cal cup, case & tubing	370.00
	81-HS03-LV	Cal kit, HS-03, 34AL cyl 25 ppm H2S/N2, regulator, cal cup, case & tubing	405.00

Discontinued Portables Replacement Parts

EAGLE

<u>Part#</u>	<u>Description</u>	<u>Suggested Retail</u>
06-1273RK	Tubing, teflon, semi-rigid, for EAGLE inlet super toxic gas versions, (standard type, order by the foot, 3 ft max)	10.00
07-6020RK	O-ring for EAGLE probe	0.90
08-0077RK	E-6000 sealant (for replacing membrane switch)	8.00
13-0100RK	Shoulder Strap with RKI logo, EAGLE / EAGLE 2	32.00
17-0522RK	Exhaust fitting, 1/8" hose barb	10.00
17-0601RK	Rubber elbow for internal filter, EAGLE & others	2.00
17-4435-01	Bypass tee probe with 1641 male quick disconnect for Eagle purge sampling	16.00
17-4807RK	Inlet fitting, plastic for Br2/F2/HCl/HF/CLO2/O3 EAGLEs	4.00
20-0640RK	Carrying case, padded for EAGLE/EAGLE 2 & RX-415/RI-415, with space for instruments and accessories	500.00
20-0642RK	Carrying case, padded for EAGLE / EAGLE 2 instrument with space for calibration kit and accessories ...	580.00
29-5000RK	Label, Membrane Switch, EAGLE	16.00
30-0522RK	Inlet fitting, standard, metal, quick disconnect, female, EAGLE/1641/GX-4000A	38.00
30-0600RK-01	Pump, internal, with connector, EAGLE/EAGLE 2/RP-GX-94	200.00
30-0608RK	Pump rebuild kit,for 30-0600RK-01 (pump version 7.51.82) (current standard)	50.00
31-2050RK	Sensor, pressure differential for EAGLE, 0 - 10 mm H2O	42.00
33-0151RK	Hydrophobic filter, .2 um, 1/8 NPTM, ACRO-50	50.00
33-0156RK-01	Replacement hydrophobic filter element for probe, (pack of 5), EAGLE / EAGLE 2 probe	14.00
33-0156RK-100	Replacement hydrophobic filter element for probe (pack of 100), EAGLE / EAGLE 2 probe	200.00
33-0160RK	Dust filter, internal, plastic, GX-4000 / RX-415	2.40
33-0164RK	Filter, oil mist removal, Balston, 9900-05-BK, EAGLE / EAGLE 2 / marine	50.00
33-0165RK	Filter, Millipore, PTFE, Disc type, hydrophobic, EAGLE, Fixed Systems	30.00
33-0171RK	Filter replacement, AcroPak 300 with PTFE membrane, 0.2 um	200.00
33-0171RK-01	Filter, installed internally, AcroPak 300 with PTFE membrane,0.2 um	180.00
33-0173RK	Filter, internal, hydrophobic, EAGLE 2	10.00
33-1031RK	Cotton balls, filters for probe, bag of 25 (For 80-0150RK old style probe)	4.00
33-1041RK	Rubber cup probe tip, for soil surveys	25.00
33-1200RK	Particle filter replacement, 5 microns, for new style EAGLE 2 probes (not for use with PID sensors)	3.00
33-2002RK-01	Humidifier, 24" for cal kits, with 3/16" tubing on ends, for EAGLE	340.00
33-3015RK	Filter, pleated paper type for 80-0182RK and 80-0211RK water trap	11.00
33-6010RK-01	CO2 Scrubber with fitting and tubing for standard EAGLE / EAGLE 2	90.00
33-6011RK	H2S Scrubber, for SO2 EAGLE.....	66.00
33-6020RK	Filter, G-92, Zeolite, for ASH3 sensors, fixed systems / EAGLE	38.00
33-6091RK	Charcoal filter replacement, EAGLE	12.00
35-0110RK	Dummy Sensor, H2S/CO, EAGLE	10.00
35-0111RK	Dummy Sensor, O2, EAGLE	14.00
35-0112RK	Dummy Sensor, LEL, EAGLE	14.00
47-5010RK	Cable with connector for LEL and TC sensors for EAGLE/EAGLE 2	21.40
49-1140RK	Size D alkaline battery	2.70
49-1240RK	Battery, Ni-Cad, D size	22.00
49-1403RK	Battery, lithium, 3V, mem ret, GX-86A / EAGLE	4.50
49-2149RK	Charger, 220 VAC, EAGLE	115.00
49-2150RK	Ni-Cad battery Charger, -Delta V type, 115VAC, with alkaline recognition, EAGLE	115.00
49-2151RK	Battery charger, 12 VDC, with cigarette lighter plug, EAGLE	115.00
49-2152RK	Continuous operation adaptor/charger, 115VAC, with 20' cable, EAGLE.....	115.00
52-1006RK	Buzzer, piezo, FDK EB4015A-30C150-9V, 3-12 V	16.80
52-1017RK-01	Internal buzzer, extra loud (90 db at 2 feet), added to EAGLE top case	85.00
57-0010RK	PCB assembly, main CPU, EAGLE	368.00
57-0011RK	PCB assembly, analog, EAGLE	420.00
57-0019RK	PCB assembly, battery, jumper side, EAGLE	36.00
57-0020RK	PCB assembly, I. S. barrier / battery power, standard EAGLE (No IR sensors)	68.00
80-0101RKE	Floating ball / hose assembly, 25', with EAGLE/EAGLE 2 fitting	130.00
80-0131RK-10	Probe, 10", hydrophobic, standard, with particle filter and metal fittings, EAGLE / EAGLE 2	55.00
80-0132RK-10	Probe, 10", hydrophobic, without particle filter, with plastic fittings for toxic gas versions (HCL/CLO2/etc), EAGLE	54.00
80-0133RK-10	Probe, 30", aluminum, with particle filter and 1641 fittings, EAGLE	95.00
80-0133RK-20	Probe, 30", aluminum, without particle filter and 1641 fittings, EAGLE	95.00
80-0134RK-10	Probe, 4', stainless steel, with particle filter, handle, and 1641 fittings, EAGLE	260.00



Discontinued Portables Replacement Parts

EAGLE Replacement Parts & Accessories

Part#	Description	Suggested Retail
80-0134RK-20	Probe, 4', stainless steel, without particle filter, handle, and 1641 fittings, EAGLE	255.00
80-0135RK-10	Probe, 30", stainless steel, with particle filter and 1641 fittings, EAGLE	110.00
80-0135RK-20	Probe, 30", stainless steel, without particle filter and 1641 fittings, EAGLE	110.00
80-0136RK	Probe, 32", extendable (10" collapsed), fiberglass, with dust filter, (cotton ball), EAGLE / EAGLE 2	86.00
80-0137RK	Probe, 10" plastic, with dust filter (cotton ball), for EAGLE	44.00
80-0143RK	Extendable probe, 7' (collapsible to 2'), fiberglass with filter for EAGLE	92.00
80-0160RK-12	Extendable probe, 12', with 1641 fittings, EAGLE	260.00
80-0160RK-18	Extendable probe, 18', with 1641 fittings, EAGLE	260.00
80-0182RK	Probe, with internal paper dust filter, pleated paper type, EAGLE/GX-4000A	100.00
80-0211RK	Water Trap (bowl type) with 1641 fittings with pleated paper filter, EAGLE	120.00
80-0224RK	Filter, hydrophobic, in-line type (ACRO-50), with EAGLE fittings (1641)	75.00
80-0226RK	Hydrophobic filter, external, in-line, for EAGLE supertoxic versions, ACRO-50 with teflon tube, EAGLE ...	65.00
80-0405RK	Dilution fitting 50:50, for EAGLE only (for use with hose & probe), with 1641 fittings	95.00
80-0406RK	Dilution fitting 3 to 1 for EAGLE only (for use with hose & probe), with 1641 fittings	120.00
80-0505RK	Hose, 5' polyurethane with fittings (standard gas versions only), EAGLE / EAGLE 2	40.00
80-0506RKT	Hose, 6', teflon lined, (for heavy hydrocarbon use), with 1641 fittings, EAGLE/EAGLE 2	100.00
80-0510RK	Hose, 10', polyurethane (for standard gases only), with 1641 fittings, EAGLE/EAGLE 2	53.00
80-0515RK	Hose, 15', polyurethane (for standard gases only), with 1641 fittings, EAGLE/EAGLE 2	60.00
80-0520RK	Hose, 20', polyurethane (for standard gases only), with 1641 fittings, EAGLE/EAGLE 2	67.00
80-0525RK	Hose, 25', polyurethane (for standard gases only), with 1641 fittings, EAGLE/EAGLE 2	74.00
80-0530RK	Hose, 30', polyurethane (for standard gases only), with 1641 fittings, EAGLE/EAGLE 2	81.00
80-0540RK	Hose, 40', polyurethane (for standard gases only), with 1641 fittings, EAGLE/EAGLE 2	95.00
80-0550RK	Hose, 50', polyurethane (for standard gases only), with 1641 fittings, EAGLE/EAGLE 2	109.00
80-0560RK	Hose, 60', polyurethane (for standard gases only), with 1641 fittings, EAGLE/EAGLE 2	123.00
80-0575RK	Hose, 75', polyurethane (for standard gases only), with 1641 fittings, EAGLE/EAGLE 2	144.00
80-0599RK	Hose, 100', polyurethane (for standard gases only), with 1641 fittings, EAGLE/EAGLE 2	179.00
80-0599RK-125	Hose, 125', polyurethane (for standard gases only), with 1641 fittings, EAGLE/EAGLE 2	214.00
80-0802RK	Float probe assembly, 12'; (without dilution fitting), EAGLE tank tester version	440.00
82-5007RK	Data logging kit, downloading, EAGLE	165.00

Standard 4 Gas Sensors

Part#	Description	Suggested Retail
62-0125RK	Sensor, LEL / ppm Hydrocarbon (NC-6260), EAGLE standard catalytic sensor	200.00
65-0601RK	Sensor, Oxygen (O2) (OS-B3), for EAGLE, EAGLE 2, or RX-415	160.00
65-2005RK	Sensor, Carbon Monoxide (CO), 0 - 500 ppm range, EAGLE/EAGLE 2	195.00
65-2035RK	Sensor, Hydrogen Sulfide (H2S), 0 - 100 ppm range, EAGLE (standard H2S sensor)	195.00
ES-87RW-H2S	Sensor, Hydrogen Sulfide (H2S), 0 - 100 ppm range, EAGLE 2 standard, EAGLE marine versions	195.00

IR Sensors

Part#	Description	Suggested Retail
61-5025RK	IR sensor / pcb assembly, Methane (CH4), 0 - 100% LEL range, EAGLE	750.00
61-5020RK	IR sensor / pcb assembly, Methane (CH4), 0 - 100% LEL & 0 - 100% volume autoranging, EAGLE, DE-3113-3750.00	
61-5021RK	IR sensor / pcb assembly, HC, 100 % LEL / 30% volume, autoranging, EAGLE, DE-3113-11	750.00
61-5011RK	IR sensor / pcb assembly, Carbon Dioxide (CO2), 0 - 5,000 ppm & 10,000 ppm range, EAGLE, DE-3113-2	750.00
61-5010RK	IR sensor / pcb assembly, Carbon Dioxide (CO2), 0 - 5% volume range, EAGLE, DE-3113-1	750.00
61-5012RK	IR sensor / pcb assembly, Carbon Dioxide (CO2), 0 - 20% & 60% volume range, EAGLE, DE-3113-6	750.00

Discontinued Portables Replacement Parts

EAGLE Toxic Gas Sensors

Part#	Description	Suggested Retail
65-2009RK	Sensor, Carbon Monoxide (CO) sensor, H2 compensated, EAGLE	580.00
ES-23-CO	Sensor, Carbon Monoxide (CO), large, 0 - 150 ppm range	465.00
ES-237-H2S	Sensor, Hydrogen Sulfide (H2S), 0 - 30 ppm range	465.00
ES-238-SO2	Sensor, Sulfur Dioxide (SO2), new style, 0 - 10 ppm (or 0 - 6 ppm) range	465.00
ES-23A-NO	Sensor, Nitric Oxide (NO) 0 - 100 ppm range	465.00
ES-23AH-B2H6	Sensor, Diborane (B2H6) 0 - 30 ppm range	465.00
ES-23AH-D-CL2	Sensor, Chlorine Dioxide (ClO2), 0-3 ppm range, GD-K8	465.00
ES-23AH-H2S	Sensor, Hydrogen Sulfide (H2S), 0 - 1.00 ppm range	465.00
ES-23AH-NO2	Sensor, Nitrogen Dioxide (NO2) 0 - 15 ppm range	465.00
ES-23AH-O3	Sensor, Ozone (O3) 0 - 5.00 ppm range (old style)	465.00
ES-23AH-PH3	Sensor, Phosphine (PH3) 0 - 1.00 ppm range (no H2 response)	465.00
ES-23AH-SiH4	Sensor, Silane (SiH4) 0 - 15 ppm range, old style (no H2 response)	465.00
ES-23AHS-ASH3	Sensor, Arsine (AsH3) 0 - 0.20 ppm range or 0 - 1.00 ppm range	465.00
ES-23AY-B2H6	Sensor, Diborane (B2H6) 0 - 0.30 ppm range	465.00
ES-23DH-H2O2	Sensor, Hydrogen Peroxide (H2O2), 0-3 PPM, GD-K8	465.00
ES-23DH-HCN	Sensor, Hydrogen Cyanide (HCN) 0 - 30 ppm range	465.00
ES-23DH-SiH4	Sensor, Silane (SiH4) 0 - 15 ppm range, new style (with H2 response)	465.00
ES-23E-HBR	Sensor, Hydrogen Bromide (HBr) 0 - 9.00 ppm range	465.00
ES-23E-HCL	Sensor, Hydrogen Chloride (HCl), 0 - 15 ppm range, (no Cl2 response)	465.00
ES-23E-HI	Sensor, Hydrogen Iodide (HI), 0-5 ppm	465.00
ES-23E-N2H4	Sensor, Hydrazine (N2H4), 0 - 5 ppm range	465.00
ES-23E-SO2	Sensor, Sulfur Dioxide (SO2) 0 - 30 ppm range (or 0 - 15 ppm range)	465.00
ES-23R-NH3	Sensor, Ammonia (NH3), (new style) 0 - 75 ppm range for GD-K8, (0 - 200 ppm for Eagle)	465.00
ES-23SD-H2Se	Sensor, Hydrogen Selenide (H2Se) 0 - 0.20 ppm range	465.00
ES-K233-BR2	Sensor, Bromine (Br2) 0 - 1.00 ppm range	465.00
ES-K233-Cl2	Sensor, Chlorine (Cl2) 0 - 3.00 ppm range (Family acid gas sensor)	465.00
ES-K233-F2	Sensor, Fluorine (F2) 0 - 3.00 ppm range	465.00
ES-K233-HCL	Sensor, Hydrogen Chloride (HCl) 0 - 15 ppm range (with Cl2 response)	465.00
ES-K233-HF	Sensor, Hydrogen Fluoride (HF) 0 - 9.00 ppm range	465.00
ES-K233-HNO3	Sensor, Nitric Acid (HNO3), 0 - 20 ppm	465.00
ES-K233-I2	Sensor, Iodine (I2), 0 - 1 ppm	465.00
ES-K239B-CL2	Sensor, Chlorine (Cl2), 0 - 3.00 ppm, H2S resistant	465.00
ES-K239C-O3	Sensor, Ozone (O3) 0-1 ppm, new style, replaces ES-K239-O3	465.00

Calibration Equipment

Part#	Description	Suggested Retail
81-0012RK-01	Cylinder, CH4 50% LEL in air, 34L steel	55.00
81-0012RK-03	Cylinder, CH4 50% LEL/air, 103L steel	150.00
81-0064RK-01	Cylinder, CO 50 ppm in air, 34L steel	55.00
81-0064RK-03	Cylinder, CO 50 ppm in air, 103L steel	150.00
81-0090RK-01	Cylinder, CO 50 ppm / CH4 50% LEL / O2 12 % in N2, 34L steel	55.00
81-0090RK-03	Cylinder, CO 50 ppm / CH4 50% LEL / O2 12 % in N2, 103L steel	150.00
81-0142RK-02	Cylinder, SO2 5 ppm / H2S 25 ppm / CO 50 ppm / CH4 50% LEL / O2 12% in N2, 58AL	280.00
81-0142RK-04	Cylinder, SO2 5 ppm / H2S 25 ppm / CO 50 ppm / CH4 50% LEL / O2 12% in N2, 34AL	200.00
81-0151RK-02	Cylinder, H2S 25 ppm in N2, 58AL	150.00
81-0154RK-02	Cylinder, H2S 25 ppm / CO 50 ppm / CH4 50% LEL / O2 12% in N2, 58AL	190.00
81-0154RK-04	Cylinder, H2S 25 ppm / CO 50 ppm / CH4 50% LEL / O2 12% in N2, 34AL	160.00
81-0170RK-02	Cylinder, SO2 5 ppm in N2, 58AL	160.00
81-0175RK-02	Cylinder, NH3 10 ppm in N2, 58AL	300.00
81-0185RK-02	Cylinder, PH3 0.5 ppm in N2, 58AL	300.00
81-0192RK-02	Cylinder, Cl2 2 ppm in N2, 58AL	340.00
81-0195RK-02	Cylinder, HCl 5 ppm in N2, 58AL	300.00
81-1001RK	Dispensing valve, 17/34L, CGA 600 fitting	34.00
81-1051RK-06	Regulator, with gauge & knob, 34AL/58AL/103L/116L steel, 6.0 LPM, C-10 fitting	125.00
81-1054RK	Regulator, demand flow for 34AL/58AL/103L/116L cylinders	280.00
81-1055RK	Regulator, demand flow for 17L/34L steel steel cylinders	280.00
82-0006RK	Screwdriver, pot adjust, no logo	14.00

Discontinued Portables Replacement Parts

EAGLE - Single Gas Model Calibration Kits

Instrument #	Cal-Kit Part #	Cal-Kit Description	Price
72-5101RK	81-5101RK	Cal kit, EAGLE/EAGLE 2, 103L steel cyl 50% LEL Methane/Air, dem flow reg, case & tubing	495.00
	81-5101RK-LV	Cal kit, EAGLE, 34L cyl 50% LEL Methane/Air, disp valve, sample bag, case & tubing	240.00
72-5102RK	81-5102RK-LV	Cal kit, EAGLE, 34L cyl 100% N2, disp valve, gas bag, case & tubing	240.00

EAGLE - Two Gas Model Calibration Kits

Instrument #	Cal-Kit Part #	Cal-Kit Description	Price
72-5201RK 72-5201RK-IR	81-5201RK	Cal kit, EAGLE, 103L steel cyl CH4/CO/O2, dem flow reg, case & tubing	495.00
	81-5201RK-HLV	Cal kit, EAGLE, 34L cyl CO/Hex/O2, disp valve, gas bag, case & tubing	240.00
	81-5201RK-LV	Cal kit, EAGLE, 34L cyl CH4/CO/O2, disp valve, gas bag, case & tubing	240.00
72-5201RK 72-5201RK-IR 72-5201RK-TT	81-5201RK-LV	Cal kit, EAGLE, 34L cyl CH4/CO/O2, disp valve, gas bag, case & tubing	240.00
72-5202RK	81-5202RK	Cal kit, EAGLE, 103 L cyl CH4/CO/O2, dem flow reg, case & tubing	495.00
	81-5202RK-LV	Cal kit, EAGLE, 34L cyl CH4/CO/O2, disp valve, gas bag, case & tubing	240.00
72-5203RK	81-5203RK	Cal kit, EAGLE, 58AL cyl H2S (25 ppm)/CO/CH4/O2, dem flow reg, case & tubing	535.00
	81-5203RK-LV	Cal kit, EAGLE, 34AL cyl H2S (25 ppm)/CO/CH4/O2, reg with gauge & knob, gas bag, case & tubing	435.00

EAGLE - Three Gas Model Calibration Kits

Instrument #	Cal-Kit Part #	Cal-Kit Description	Price
72-5301RK	81-5301RK	Cal kit, EAGLE, 58AL cyl H2S/CO/CH4/O2, dem flow reg, case & tubing	535.00
	81-5301RK-LV	Cal kit, EAGLE, 34AL cyl H2S/CO/CH4/O2, reg with gauge & knob, gas bag, case & tubing	435.00
72-5302RK	81-5302RK	Cal kit, EAGLE, 103L steel cyl CO/CH4/O2, dem flow reg, case & tubing	495.00
	81-5302RK-LV	Cal kit, EAGLE, 34L cyl CO/CH4/O2, disp valve, gas bag, case & tubing	240.00

Discontinued Portables Replacement Parts

EAGLE 2

<u>Part#</u>	<u>Description</u>	<u>Suggested Retail</u>
07-0131RK	Gasket, battery pack seal for EAGLE 2	4.60
07-0133RK	Gasket, buzzer for EAGLE 2	6.00
07-6020RK	O-ring for EAGLE probe	0.90
13-0100RK	Shoulder Strap with RKI logo, EAGLE / EAGLE 2	32.00
13-1081RK	Thumbscrew, captive, 10-32 x 2.0, EAGLE 2	10.60
14-0141RK	Strap for ESM-01 / IR sensors	8.40
20-0640RK	Carrying case, padded for EAGLE/EAGLE 2 & RX-415/RI-415, with space for instruments and accessories	500.00
20-0642RK	Carrying case, padded for EAGLE / EAGLE 2 instrument with space for calibration kit and accessories ...	580.00
21-0642RK	Battery enclosure for EAGLE 2, (batteries not included)	160.00
29-0338RK	Label, switches, EAGLE 2	10.00
29-0339RK	Label, display overlay, EAGLE 2	12.00
30-0522RK	Inlet fitting, standard, metal, quick disconnect, female, EAGLE/1641/GX-4000A	38.00
30-0600RK-01	Pump, internal, with connector, EAGLE/EAGLE 2/RP-GX-94	200.00
30-0608RK	Pump rebuild kit,for 30-0600RK-01 (pump version 7.51.82) (current standard)	50.00
31-0023RK-02	Flowmeter, 0.2 - 2.0 SCFH, with valve and hosebarb fitting for GX-2012 / GX-6000 flow measurement ...	180.00
31-2050RK	Sensor, pressure differential for EAGLE, 0 - 10 mm H2O	42.00
33-0151RK	Hydrophobic filter, .2 um, 1/8 NPTM, ACRO-50.....	50.00
33-0156RK-01	Replacement hydrophobic filter element for probe, (pack of 5), EAGLE / EAGLE 2 probe	14.00
33-0156RK-100	Replacement hydrophobic filter element for probe (pack of 100), EAGLE / EAGLE 2 probe	200.00
33-0173RK	Filter, internal, hydrophobic, EAGLE 2	10.00
33-0562	Electrode Stack for 10.6 eV lamp, 0-2,000/6,000 ppm for EAGLE 2, GX-6000, or VOC Pro, (1 electrode) ...	64.00
33-1031RK	Cotton balls, filters for probe, bag of 25 (For 80-0150RK old style probe)	4.00
33-1200RK	Particle filter replacement, 5 microns, for new style EAGLE 2 probes (not for use with PID sensors).....	3.00
33-3015RK	Filter, pleated paper type for 80-0182RK and 80-0211RK water trap	11.00
33-6010RK-01	CO2 Scrubber with fitting and tubing for standard EAGLE / EAGLE 2	90.00
33-6090RK	Charcoal filter replacement, GX-4000A / EAGLE 2	8.50
33-6092	Charcoal filter with tubing stubs and plugs, CF-8501, for GX-6000/EAGLE 2, CO2 & PID combinations ...	42.00
35-0110RK	Dummy Sensor, H2S/CO, EAGLE	10.00
35-0111RK	Dummy Sensor, O2, EAGLE	14.00
35-0112RK	Dummy Sensor, LEL, EAGLE	14.00
35-0142RK	Plug, ESM-01 / IR / PID sensors, EAGLE 2	12.00
45-2430RK	Plug adapter for charger, US to Euro, non-grounded	3.60
47-1016RK	12 VDC vehicle charging adapter, Eagle 2 (charger unit not included)	30.00
47-5010RK	Cable with connector for LEL and TC sensors for EAGLE/EAGLE 2	21.40
47-5084RK-01	Downloading cable, USB / IrDA adapter, Windows XP, Windows 7, Windows 8, Windows 10, and Windows 11 compatible	230.00
49-0115RK	115 / 220 VAC Adapter for charger, GX-6000/GX-2009/GX-2012/Gas Tracer/EAGLE 2/GX-8000/SC-8000 ...	20.00
49-1130RK	Battery, C size, alkaline battery	2.60
49-1330RK	Battery, Ni-MH, C size (4 required)	15.00
49-1405RK	Lithium battery, 1.55 volt, SR41W, GX-2003/EAGLE 2 (PCB memory backup battery)	4.00
49-1405RK-01	Battery contact, positive, for GX-2003/EAGLE 2, lithium battery, SUS304+NI3	1.50
49-2174RK	Battery charging module, 100 - 240 VAC & 12 VDC input, EAGLE 2, (power adapter not included)	120.00
49-2175RK	Battery Charger, 100-240 VAC, EAGLE 2 (batteries not included).....	140.00
49-2175RK-01	Battery Charger, 100-240 VAC, with 4 C size Ni-MH batteries, added to EAGLE 2, factory installed	200.00
49-2175RK-02	Battery Charger, 100-240 VAC, with 4 C size Ni-MH batteries, added to EAGLE 2, field installed	210.00
49-2176RK	Battery charger, 12 VDC, with cigarette lighter plug, EAGLE 2 (batteries not included)	140.00
49-2176RK-01	Battery charger, 12 VDC, with cigarette lighter plug and 4 C size Ni-MH batteries, EAGLE 2, factory installed	190.00
49-2176RK-02	Battery charger, 12 VDC, with cigarette lighter plug and 4 C size Ni-MH batteries, EAGLE 2, field installed	210.00
49-2177RK	Battery charger, 100-240 VAC adapter and 12 VDC with vehicle plug adapter, EAGLE 2	160.00
49-2177RK-01	Battery charger, 100-240 VAC adapter, 12 VDC with vehicle plug adapter, and 4 C size Ni-MH batteries, EAGLE 2, factory installed	210.00
49-2177RK-02	Battery charger, 100-240 VAC adapter, 12 VDC with vehicle plug adapter, and 4 C size Ni-MH batteries, EAGLE 2, field installed	220.00
51-1503	Replacement lamp only, 0-50/-2000/-6000/ HPPM long life type for any 10.6 eV or 10.0 eV PID.	220.00
57-0102RK-01	PC board assembly, main replacement, EAGLE 2	600.00
57-0103RK-01	PC board assembly, LCD replacement, EAGLE 2	250.00



Discontinued Portables Replacement Parts

EAGLE 2 Replacement Parts & Accessories

<u>Part#</u>	<u>Description</u>	<u>Suggested Retail</u>
57-0109RK	PC board assembly, sub PCB, ESM-01, EAGLE 2	140.00
57-0110RK	PC board assembly, sub PCB, IR, EAGLE 2	140.00
57-0111RK	PC board assembly, sub PCB, TC, EAGLE 2	140.00
57-0112RK-01	PC board assembly, sub PCB, PID, reprogrammed and defaulted, EAGLE 2	140.00
57-2005RK	PC board assembly, type 4 with cable for PID, EAGLE 2	36.00
57-2005RK-01	Adaptor assembly, type 4 to ESM-01 with cable, EAGLE 2	66.00
80-0101RKE	Floating ball / hose assembly, 25', with EAGLE/EAGLE 2 fitting	130.00
80-0131RK-10	Probe, 10", hydrophobic, standard, with particle filter and metal fittings, EAGLE / EAGLE 2	55.00
80-0131RK-20	Probe, 10", hydrophobic, standard, without particle filter, with metal fittings, for EAGLE 2 with PID	54.00
80-0133RK-10	Probe, 30", aluminum, with particle filter and 1641 fittings, EAGLE	95.00
80-0133RK-20	Probe, 30", aluminum, without particle filter and 1641 fittings, EAGLE	95.00
80-0134RK-10	Probe, 4', stainless steel, with particle filter, handle, and 1641 fittings, EAGLE	260.00
80-0134RK-20	Probe, 4', stainless steel, without particle filter, handle, and 1641 fittings, EAGLE	255.00
80-0135RK-10	Probe, 30", stainless steel, with particle filter and 1641 fittings, EAGLE	110.00
80-0135RK-20	Probe, 30", stainless steel, without particle filter and 1641 fittings, EAGLE	110.00
80-0136RK	Probe, 32", extendable (10" collapsed), fiberglass, with dust filter, (cotton ball), EAGLE / EAGLE 2	86.00
80-0137RK	Probe, 10" plastic, with dust filter (cotton ball), for EAGLE	44.00
80-0142RK-10	Probe, 30", fiberglass, for bar hole, with particle filter, EAGLE	88.00
80-0142RK-20	Probe, 30", fiberglass, for bar hole, without particle filter, EAGLE	88.00
80-0143RK	Extendable probe, 7' (collapsible to 2'), fiberglass with filter for EAGLE	92.00
80-0156RK-10	Probe, 30", fiberglass, rigid with particle filter, EAGLE	80.00
80-0156RK-20	Probe, 30", fiberglass, rigid without particle filter, EAGLE	80.00
80-0160RK-12	Extendable probe, 12', with 1641 fittings, EAGLE	260.00
80-0160RK-18	Extendable probe, 18', with 1641 fittings, EAGLE	260.00
80-0182RK	Probe, with internal paper dust filter, pleated paper type, EAGLE/GX-4000A	100.00
80-0211RK	Water Trap (bowl type) with 1641 fittings with pleated paper filter, EAGLE	120.00
80-0224RK	Filter, hydrophobic, in-line type (ACRO-50), with EAGLE fittings (1641)	75.00
80-0405RK	Dilution fitting 50:50, for EAGLE only (for use with hose & probe), with 1641 fittings	95.00
80-0406RK	Dilution fitting 3 to 1 for EAGLE only (for use with hose & probe), with 1641 fittings	120.00
80-0505RK	Hose, 5' polyurethane with fittings (standard gas versions only), EAGLE / EAGLE 2	40.00
80-0510RK	Hose, 10', polyurethane (for standard gases only), with 1641 fittings, EAGLE/EAGLE 2	53.00
80-0515RK	Hose, 15', polyurethane (for standard gases only), with 1641 fittings, EAGLE/EAGLE 2	60.00
80-0520RK	Hose, 20', polyurethane (for standard gases only), with 1641 fittings, EAGLE/EAGLE 2	67.00
80-0525RK	Hose, 25', polyurethane (for standard gases only), with 1641 fittings, EAGLE/EAGLE 2	74.00
80-0530RK	Hose, 30', polyurethane (for standard gases only), with 1641 fittings, EAGLE/EAGLE 2	81.00
80-0540RK	Hose, 40', polyurethane (for standard gases only), with 1641 fittings, EAGLE/EAGLE 2	95.00
80-0550RK	Hose, 50', polyurethane (for standard gases only), with 1641 fittings, EAGLE/EAGLE 2	109.00
80-0560RK	Hose, 60', polyurethane (for standard gases only), with 1641 fittings, EAGLE/EAGLE 2	123.00
80-0575RK	Hose, 75', polyurethane (for standard gases only), with 1641 fittings, EAGLE/EAGLE 2	144.00
80-0599RK	Hose, 100', polyurethane (for standard gases only), with 1641 fittings, EAGLE/EAGLE 2	179.00
80-0599RK-125	Hose, 125', polyurethane (for standard gases only), with 1641 fittings, EAGLE/EAGLE 2	214.00
80-0605RK	Hose, 5' teflon lined, with fittings (PID versions only), EAGLE / EAGLE 2	130.00
80-0620RK	Hose, 20' teflon lined, with fittings (PID versions only), EAGLE/EAGLE 2	310.00
80-0802RK	Float probe assembly, 12', (without dilution fitting), EAGLE tank tester version	440.00
82-0300RK	PID lamp cleaning kit with removal tool for 10.0 & 10.6 eV lamps only	52.00

Discontinued Portables Replacement Parts

EAGLE 2 Replacement Sensors



Standard 4 Gas Sensors

<u>Part#</u>	<u>Description</u>	<u>Suggested Retail</u>
NC-6260B	Sensor, LEL / ppm, plug-in, EAGLE 2	200.00
61-0155RK	Sensor, LEL H2 only, plug-in, (NC-6244) for EAGLE 2, 35-3001, 35-3000, GD-A8/D8	250.00
65-0601RK	Sensor, Oxygen (O2) (OS-B3), for EAGLE, EAGLE 2, or RX-415	160.00
65-2005RK	Sensor, Carbon Monoxide (CO), 0 - 500 ppm range, EAGLE/EAGLE 2	195.00
ES-87RW-H2S	Sensor, Hydrogen Sulfide (H2S), 0 - 100 ppm range, EAGLE 2 standard, EAGLE marine versions	195.00

PID and TC Sensors

<u>Part#</u>	<u>Description</u>	<u>Suggested Retail</u>
61-0302	Sensor, Volatile Organic Compounds (VOC) 0-50 ppm, 10.6 eV PID, low ppm sensor for VOC Pro, Air Alert, AirLink VOC Pro, AirLink Alert ...	1,200.00
61-0303	Sensor, Volatile Organic Compounds (VOC) 0-2000 ppm, 10.6 eV PID, high ppm sensor for VOC Pro, Air Alert, AirLink VOC Pro, AirLink Alert	1,000.00
TE-7568-CH4	Sensor, TE-7568, TC, for CH4, 0 - 100% volume for EAGLE 2	360.00
TE-7568-H2	Sensor, TE-7568, TC, for H2, 0 -10%/100% volume for EAGLE 2	360.00



Replacement Lamps and Electrode Stacks for PID sensors

<u>PID Sensor</u>	<u>eV</u>	<u>Replacement Lamp</u>	<u>Electrode Stack</u>
61-0302	10.6	51-1503	33-0560-01
61-0303	10.6		33-0562
61-0300RK-01*	10.6		33-0560-01
61-0300RK-02*	10.6		33-0562

* (Discontinued Sensor)

<u>Part#</u>	<u>Description</u>	<u>Suggested Retail</u>
33-0560-01	Electrode Stack for 10.6 (50 ppm sensor) & 11.7 eV lamps used in EAGLE 2, GX-6000, or VOC Pro (1 electrode)	110.00
33-0562	Electrode Stack for 10.6 eV lamp, 0-2,000/6,000 ppm for EAGLE 2, GX-6000, or VOC Pro, (1 electrode)	64.00
51-1503	Replacement lamp only, 0-50/-2000/-6000/ HPPM long life type for any 10.6 eV or 10.0 eV PID.	220.00



Electrode Stack



Replacement Lamp



PID sensor

Discontinued Portables Replacement Parts

EAGLE 2 Replacement Sensors

Infrared Sensors



Part#	Description	Suggested Retail
DEM-3313-3	Sensor, IR, Methane (CH4), 0 - 100% LEL & 0 - 100% volume autoranging	750.00
DEM-3313-3A	Sensor, IR, Methane (CH4), 0 - 100% volume autoranging	750.00
DEM-3313-2	Sensor, IR, HC, 0 - 100% LEL / 0 - 30% volume auto range	750.00
DEM-3313-4	Sensor, IR, Carbon Dioxide (CO2), 0 - 10,000 ppm range	750.00
DEM-3313-1	Sensor, IR, Carbon Dioxide (CO2), 0 - 5% volume range	750.00
DEM-3313-5	Sensor, IR, Carbon Dioxide (CO2), 0 - 60% volume range	750.00

Electrochemical Smart Toxic Sensors



Part#	Description	Suggested Retail
ESM-01R-NH3	Sensor, Ammonia (NH3), 0 - 75 ppm, ESM-01 plug-in type	195.00
ESM-01DH-ASH3	Sensor, Arsine (AsH3), 0 - 1.50 ppm, ESM-01 plug-in type	195.00
ESM-K01-CL2	Sensor, Chlorine (Cl2), 0 - 3 ppm, ESM-01 plug-in type	195.00
ESM-01DH-D-HCN	Sensor, Hydrogen Cyanide (HCN), 0 - 15 ppm, ESM-01 plug-in type	195.00
ESM-01DHL-HCN	Sensor, Hydrogen Cyanide (HCN), 0 - 15 ppm, ESM-01 plug-in type, for low humidity use	225.00
ESM-01DH-PH3	Sensor, Phosphine (PH3), 0 - 1.0 ppm, ESM-01 plug-in type	195.00
ESM-01DH-F-SO2	Sensor, Sulfur Dioxide (SO2), 0 - 6 ppm, ESM-01 plug-in type	195.00

EAGLE 2 Calibration Kits

EAGLE 2 - Single Gas Models Calibration Kits

Instrument #	Cal-Kit Part #	Cal-Kit Description	Price
721-001	81-5101RK	Cal kit, EAGLE/EAGLE 2, 103L steel cyl 50% LEL Methane/Air, dem flow reg, case & tubing	495.00
	81-5101RK-DLV	Cal kit, EAGLE/EAGLE 2, 34L cyl 50% LEL Methane/Air, dem flow reg, case & tubing	455.00
	81-5101RK-LV	Cal kit, EAGLE, 34L cyl 50% LEL Methane/Air, disp valve, sample bag, case & tubing	240.00
721-002	81-5102RK-DLV	Cal kit, EAGLE/EAGLE 2, 34L cyl 100% Nitrogen, dem flow reg, case & tubing	455.00
	81-5102RK-LV	Cal kit, EAGLE, 34L cyl 100% N2, disp valve, gas bag, case & tubing	240.00
721-101-P1	811-101-P1	Cal kit, EAGLE 2, 103L cyl 10 ppm isobutylene in air, dem flow reg, case & tubing	495.00
	811-101-P1-DLV	Cal kit, EAGLE 2, 34L cyl 10 ppm isobutylene in air, dem flow reg, case & tubing	550.00
721-101-P2	811-101-P2	Cal kit, EAGLE 2, 103L cyl 100 ppm isobutylene in air, dem flow reg, case & tubing	495.00
	811-101-P2-DLV	Cal kit, EAGLE 2, 34L cyl 100 ppm isobutylene in air, dem flow reg, case & tubing	455.00

Discontinued Portables Replacement Parts

EAGLE 2 - Two Gas Models Calibration Kits

Instrument #	Cal-Kit Part #	Cal-Kit Description	Price
722-001	81-5201RK	Cal kit, EAGLE, 103L steel cyl CH4/CO/O2, dem flow reg, case & tubing	495.00
	81-5201RK-LV	Cal kit, EAGLE, 34L cyl CH4/CO/O2, disp valve, gas bag, case & tubing	240.00
722-002	81-5202RK	Cal kit, EAGLE, 103 L cyl CH4/CO/O2, dem flow reg, case & tubing	495.00
	81-5202RK-LV	Cal kit, EAGLE, 34L cyl CH4/CO/O2, disp valve, gas bag, case & tubing	240.00
722-003	81-5203RK	Cal kit, EAGLE, 58AL cyl H2S (25 ppm)/CO/CH4/O2, dem flow reg, case & tubing	535.00
	81-5203RK-LV	Cal kit, EAGLE, 34AL cyl H2S (25 ppm)/CO/CH4/O2, reg with gauge & knob, gas bag, case & tubing	435.00
722-101-P1	812-101-P1	Cal kit, EAGLE 2, 103L cyl 50% LEL CH4/Air, 103L cyl 10 ppm isobutylene in air, dem flow reg, case & tubing	640.00
	812-101-P1-DLV	Cal kit, EAGLE 2, 34L cyl 50% LEL CH4/Air, 34L cyl 10 ppm isobutylene/air, dem flow reg, case & tubing	465.00
722-101-P2	812-101-P2-DLV	Cal kit, EAGLE 2, 34L cyl 50% LEL CH4/Air, 34L cyl 10 ppm isobutylene in air, dem flow reg, case & tubing	510.00
	812-101-P25	Cal kit, EAGLE 2, 58AL cyl 100 ppm isobutylene/50% LEL CH4/25 ppm H2S/50 ppm CO/12% O2/N2, dem flow reg, case & tubing	685.00
	812-101-P25-DLV	Cal kit, EAGLE 2, 34AL cyl 100 ppm isobutylene/50% LEL CH4/25 ppm H2S/50 ppm CO/12% O2/N2, dem flow reg, case & tubing	590.00

EAGLE 2 - Three Gas Models Calibration Kits

Instrument #	Cal-Kit Part #	Cal-Kit Description	Price
723-001	81-5301RK	Cal kit, EAGLE, 58AL cyl H2S/CO/CH4/O2, dem flow reg, case & tubing	535.00
	81-5301RK-LV	Cal kit, EAGLE, 34AL cyl H2S/CO/CH4/O2, reg with gauge & knob, gas bag, case & tubing	435.00
723-002	81-5302RK	Cal kit, EAGLE, 103L steel cyl CO/CH4/O2, dem flow reg, case & tubing	495.00
	81-5302RK-LV	Cal kit, EAGLE, 34L cyl CO/CH4/O2, disp valve, gas bag, case & tubing	240.00
723-101-P1	813-101-P1	Cal kit, EAGLE 2, 103L cyl 50 ppm CO/50% LEL CH4/12% O2/N2, 103L cyl 10 ppm isobutylene in air, dem flow reg, case & tubing	670.00
	813-101-P1-DLV	Cal kit, EAGLE 2, 34L cyl 50 ppm CO/50% LEL CH4/12% O2/N2, 34L cyl 10 ppm isobutylene in air, dem flow reg, case & tubing	510.00
723-101-P2	813-101-P2	Cal kit, EAGLE 2, 103L cyl 50 ppm CO/50% LEL CH4/12% O2/N2, 103L cyl 100 ppm isobutylene in air, dem flow reg, case & tubing	645.00
	813-101-P2-DLV	Cal kit, EAGLE 2, 34L cyl 50 ppm CO/50% LEL CH4/12% O2/N2, 34L cyl 100 ppm isobutylene in air, dem flow reg, case & tubing	510.00

Discontinued Portables Replacement Parts

EAGLE 2 - Four Gas Models Calibration Kits

Instrument #	Cal-Kit Part #	Cal-Kit Description	Price
724-001	81-5401RK	Cal kit, EAGLE, 58AL cyl H2S (25 ppm)/CO/CH4/O2, dem flow reg, case & tubing	535.00
	81-5401RK-LV	Cal kit, EAGLE, 34AL cyl H2S (25 ppm)/CO/CH4/O2, reg with gauge & knob, gas bag, case & tubing	435.00
724-101-P1	814-101-P1	Cal kit, EAGLE 2, 58AL cyl H2S/CO/CH4/O2, 103L cyl 10 ppm isobutylene in air, dem flow reg, case & tubing	685.00
	814-101-P1-DLV	Cal kit, EAGLE 2, 34AL cyl H2S/CO/CH4/O2, 34AL cyl 10 ppm isobutylene in air, dem flow reg, case & tubing	710.00
724-101-P2	814-101-P25	Cal kit, EAGLE 2, 58AL cyl 100 ppm isobutylene/25 ppm H2S/50 ppm CO/50% LEL CH4/12% O2/N2, dem flow reg, case & tubing	685.00
	814-101-P25-DLV	Cal kit, EAGLE 2, 34AL cyl 100 ppm isobutylene/25 ppm H2S/50 ppm CO/50% LEL CH4/12% O2/N2, dem flow reg, case & tubing	630.00

Five Gas Models Calibration Kits

Instrument #	Cal-Kit Part #	Cal-Kit Description	Price
725-001	815-001	Cal kit, EAGLE 2, 58AL cyl SO2/H2S/CO/CH4/O2, dem flow reg, case & tubing	680.00
	815-001-DLV	Cal kit, EAGLE 2, 34AL cyl SO2/H2S/CO/CH4/O2, dem flow reg, case & tubing	600.00
725-101-P1	815-101-P1	Cal kit, EAGLE 2, 58AL cyl H2S/CO/CH4/O2, 103L cyl 10 ppm isobutylene in air, dem flow reg, case & tubing	725.00
	815-101-P1-DLV	Cal kit, EAGLE 2, 34AL cyl H2S/CO/CH4/O2, 34AL cyl 10 ppm isobutylene in air, dem flow reg, case & tubing	710.00
725-101-P2	815-101-P2	Cal kit, EAGLE 2, 58AL cyl H2S/CO/CH4/O2, 103L cyl 100 ppm isobutylene in air, dem flow reg, case & tubing	685.00
	815-101-P2-DLV	Cal kit, EAGLE 2, 34AL cyl H2S/CO/CH4/O2, 34AL cyl 100 ppm isobutylene in air, dem flow reg, case & tubing	710.00
725-102-P1	815-102-P1	Cal kit, EAGLE 2, 103L cyl LEL/O2/CO, 103L cyl 10 ppm isobutylene/air, 103L cyl 10 ppm HCN/N2, dem flow reg, case & tubing	950.00
	815-102-P1-DLV	Cal kit, EAGLE 2, 34L cyl LEL/O2/CO, 34L cyl 10 ppm isobutylene/air, 34AL cyl 10 ppm HCN/N2, dem flow reg, case & tubing	465.00

Discontinued Portables Replacement Parts

FP-30 /FP-40 Formaldehyde Monitor Parts

<u>Part#</u>	<u>Description</u>	<u>Suggested Retail</u>
30-0001RK	Pump with no cable for FP-85, FP-30, and FP-40	200.00
65-TAB-008	Detection tablets for FP-31/-30/-40, box of 20, (1 test each) Formaldehyde (use for -008,-009,-010)	85.00

GasWatch 2 Single Gas Monitor



<u>Part#</u>	<u>Description</u>	<u>Suggested Retail</u>
07-0029RK	Sensor gasket for GasWatch 2	2.00
13-0105RK	Watchband replacement, for GasWatch 2/GasWatch 3	7.00
13-0204RK	Spring bar with outer tube for 03/04 Series and wrist band of GasWatch 2/GasWatch 3	1.40
21-1834RK	Sensor cap for GasWatch 2.....	2.80
33-0166RK	Sensor cover, disc, 10 pack, GasWatch 2 / -01 series	18.00
33-7106RK	Charcoal filter disk for CO sensor, strip of 5, for CO-03, GasWatch 2, GasWatch 3	12.00
49-1404RK	Lithium battery, 3.0 volt, coin type, CR 2450	2.60
71-8000RK	Training CD, EAGLE, GX-2001, GX-2003, GasWatch 2, and -01 series	0.00
81-0064RK-01	Cylinder, CO 50 ppm in air, 34L steel	55.00
81-0076RK-01	Cylinder, Zero air, 34L steel	55.00
81-0151RK-04	Cylinder, H2S 25 ppm in N2, 34AL	130.00
81-1104RK	Calibration adapter for -01 series & GasWatch 2	22.00
82-0001RK	Tool for removing pins for watchband or clip	14.00

GasWatch 2 Replacement Sensors

<u>Part#</u>	<u>Description</u>	<u>Suggested Retail</u>
ES-1821	Sensor, Carbon Monoxide (CO) 0-500 ppm for GX-2009/GX-2012/GX-6000/CO-03/GasWatch 2/Gas Tracer	140.00
ES-1827i	Sensor, Hydrogen Sulfide (H2S) 0-100 ppm for GX-2009/GX-2012/GX-6000/HS-03/GasWatch 2	140.00
OS-BM2	Sensor, Galvanic, Oxygen (O2) 0-25% Vol. for GX-2009/GX-2012/GasTracer/GX-6000/OX-03/GasWatch 3	120.00

GasWatch 2 Calibration Kits

Instrument #	Cal-Kit Part #	Cal-Kit Description	Price
72-0007RK	81-GW2X-LV	Cal kit, GW2, 34L cyl 100% N2, reg with gauge & knob, cal cup, case & tubing	325.00
73-0040RK	81-GW2C-LV	Cal kit, GW2, 34L cyl CO / N2, reg with gauge & knob, cal cup, case & tubing	325.00
73-0041RK	81-GW2H-LV	Cal kit, GW2, 34AL cyl H2S/N2,reg with gauge & knob, cal cup, case & tubing	400.00

GP-226 Dual Range Combustible Detector

<u>Part#</u>	<u>Description</u>	<u>Suggested Retail</u>
80-0009RK-10	Hose, 10', polyurethane, GX-2012/Gas Tracer/GX-Force/ GX-20003/RP-3R/RP-3R/RP-2009	36.00
80-0012RK	Hose, 3' coiled, polyurethane, RI-411/RI-413A/GP-226/ GX-8000/RX-8000	45.00
80-0172	Probe with hydrophobic filter, dust filter, no scrubber section, for GX-6000/ (not for Cl2 use) /GX-8000/RX-8000/GX-Force/GX-2012/ GasTracerGX-2001/GX-2003/RP-3R	35.00
80-0213RK	Water trap, bowl type, for GX-7/GP-226/RI-411/RI-413A	75.00
GE-4641-S2	LEL Sensor for GP-226, isobutane (HC)	80.00



Discontinued Portables Replacement Parts

GX-2001 Four Gas Personal Monitor

Part#	Description	Suggested Retail
10-1100RK-02	Replacement screw sets, 2 screw types, 2 sets of 8, GX-2001	6.50
13-0112RK	Wrist strap	4.00
20-0112RK-01	Padded carrying case for GX-3R, GX-3R Pro, or GX-2009 aspirator kit	120.00
20-0112RK-02	Padded carrying case for GX-3R, GX-3R Pro, or GX-2009, aspirator, and cal kit.	190.00
20-0315RK	Rubber boot for GX-2001	10.00
21-1823RK	Sensor filter retainer, GX-2001	24.00
21-1824RK	Sensor retainer (outer section), GX-2001	38.00
33-7106RK	Charcoal filter disk for CO sensor, strip of 5, for CO-03, GasWatch 2, GasWatch 3	12.00
33-7107RK	Filter set, 5 pack (1 charcoal & 4 H2S filters per pack), GX-2001	36.00
33-7114RK	Filter disk, H2S scrubber, strip of 5, for LEL sensor port, GP-01/GX-2001/GX-2009/GX-2012/Gas Tracer/GX-6000/GP-03	10.00
49-1605RK	NI-MH battery pack for GX-2001 (Battery charger sold separately)	32.00
57-2050RK	CPU PCB assembly for GX-2001	240.00
65-7001RK	Dummy sensor for GX-2009, GX-2012, or GX-6000 empty sensor slots (LEL, O2, H2S, & CO)	5.00
71-8000RK	Training CD, EAGLE, GX-2001, GX-2003, GasWatch 2, and -01 series	0.00
81-0090RK-01	Cylinder, CO 50 ppm / CH4 50% LEL / O2 12 % in N2, 34L steel	55.00
81-0090RK-03	Cylinder, CO 50 ppm / CH4 50% LEL / O2 12 % in N2, 103L steel	150.00
81-0154RK-02	Cylinder, H2S 25 ppm / CO 50 ppm / CH4 50% LEL / O2 12% in N2, 58AL	190.00
81-0154RK-04	Cylinder, H2S 25 ppm / CO 50 ppm / CH4 50% LEL / O2 12% in N2, 34AL	160.00
81-0155RK-02	Cylinder, H2S 25 ppm / CO 50 ppm / HEX 15% LEL / O2 12% in N2, 58AL	220.00
81-0155RK-04	Cylinder, H2S 25 ppm / CO 50 ppm / HEX 15% LEL / O2 12% in N2, 34AL	160.00
81-0158RK-02	Cylinder, H2S 25 ppm / CO 50 ppm / isobutane 50% LEL / O2 12% in N2, 58AL	220.00
81-0158RK-04	Cylinder, H2S 25 ppm / CO 50 ppm / isobutane 50% LEL / O2 12% in N2, 34AL	160.00
81-1050RK	Regulator, with gauge & knob, 17/34L, 0.5 LPM, CGA 600 fitting	125.00
81-1051RK	Regulator, with gauge & knob, 34AL/58AL/103L steel, 0.5 LPM, C-10 fitting	125.00
81-1106RK	Sample adaptor for GX-2001 or GX-2009, rigid plastic, used with RP-6	26.00
81-1107RK	Cal cap for GX-2001 and GX-2009	17.00
81-1160RK	Hand aspirated sampler, with 10' hose and probe, GX-2001 or GX-2009	95.00



GX-2001 Replacement Sensors

Part#	Description	Suggested Retail
ES-1821	Sensor, Carbon Monoxide (CO) 0-500 ppm for GX-2009/GX-2012/GX-6000/CO-03/GasWatch 2/Gas Tracer	140.00
ES-18271	Sensor, Hydrogen Sulfide (H2S) 0-100 ppm for GX-2009/GX-2012/GX-6000/HS-03/GasWatch 2	140.00
NC-6264A	Sensor, Methane (CH4) 0-100% LEL for GX-2009/GX-2012/GX-6000/GP-03/Gas Tracer	120.00
OS-BM2	Sensor, Galvanic, Oxygen (O2) 0-25% Vol. for GX-2009/GX-2012/GasTracer/GX-6000/OX-03/GasWatch 3	120.00

Discontinued Portables Replacement Parts

GX-2001 Four Gas Personal Monitor

Calibration Kits

Instrument #	Cal-Kit Part #	Cal-Kit Description	Price
72-0226RK-XX 72-0230RK-XX 72-0231RK-XX	81-GX01CO	Cal kit, GX-2001/GX-2009, 103L steel cyl Methane/CO/O2, reg with gauge & knob, cal cap, case & tubing	360.00
	81-GX01CO-LV	Cal kit, GX-2001/GX-2009, 34L cyl Methane/CO/O2, reg with gauge & knob, cal cap, case & tubing	320.00
72-0227RK-XX	81-GX01CH4-LV	Cal kit, GX-2001/GX-2009, 34L cyl Methane 50% LEL/air, reg with gauge & knob, cal cap, case & tubing	320.00
72-0229RK-XX 72-0232RK-XX 72-0233RK-XX	81-GX01HCOIB-LV	Cal kit, GX-2001/GX-2009, 34AL cyl Isobutane/H2S/CO/O2, reg with gauge & knob, cal cap, case & tubing	425.00
	81-GX01HSCO	Cal kit, GX-2001/GX-2009, 58AL cyl Methane/H2S/CO/O2, reg with gauge & knob, cal cap, case & tubing	400.00
	81-GX01HSCO-LV	Cal kit, GX-2001/GX-2009, 34AL cyl Methane/H2S/CO/O2, reg with gauge & knob, cal cap, case & tubing	425.00
	81-GX01HXCO-LV	Cal kit, GX-2001/GX-2009, 34L cyl Hexane/O2/H2S/CO/N2, reg with gauge & knob, cal cap, case & tubing	425.00
72-0230RK-XX	81-GX01IB-LV	Cal kit, GX-2001/GX-2009, 34L cyl Isobutane/air, 34L cyl 100% N2, reg with gauge & knob, cal cap, case & tubing	375.00

RP-6 Accessories & Replacement Parts

Part#	Description	Suggested Retail
07-2005RK	Gasket, filter/screen retaining, RP-3R / RP-2009 / RP-6 / GX-2003 / GX-2012 / Gas Tracer / GX-Force.....	15.00
07-6000RK	O-ring for inlet fitting of RP-3R/RP-2009/RP-6/GX-2003/GX-2012/Gas Tracer	1.00
13-0112RK	Wrist strap	4.00
17-1000RK	Inlet fitting (also needs o-ring 07-6000RK) for RP-3R/RP-6	8.80
17-1001RK	Tapered rubber inlet nozzle, 4", RP-3R/RP-2009/RP-6/GX-2003/GX-2012/Gas Tracer	8.00
21-1829RK	Battery cap for RP-6 pump	6.00
21-1832RK	Filter holder, clear plastic, RP-6	7.00
30-0015RK	Pump replacement for RP-6 or GX-2003	135.00
30-0311RK	Pump diaphragm only, for RP-6 or GX-2003	26.00
33-0159RK	Teflon filter disk, 10 pieces, RP-3R/RP-2009/RP-6/GX-2003/GX-2012/Gas Tracer/GX-6000/ NC-1000/GX-Force	24.00
33-1031RK	Cotton balls, filters for probe, bag of 25 (For 80-0150RK old style probe)	4.00
33-1112RK	Wire mesh disk filter, RP-3R/RP-2009/RP-6/GX-2003/GX-2012/Gas Tracer/GX-6000/GX-Force, 10 pack ...	15.00
33-3013	Filter element, particle, polypropylene/polyethylene for GX-6000, GX-2012, Gas Tracer, GX-2001, GX-2003, RP-3R probe, (not for Cl2)	2.00
33-3013-10	Filter element, particle, polypropylene/polyethylene for GX-6000, GX-2012, Gas Tracer, GX-2001, GX-2003, RP-3R probe, (not for Cl2) pack of 10	20.00
49-1120RK	Size AA alkaline battery	1.40
80-0009RK-10	Hose, 10', polyurethane, GX-2012/Gas Tracer/GX-Force/GX-20003/RP-3R/RP-3R/RP-2009.....	36.00
80-0009RK-15	Hose, 15', polyurethane, GX-2012/Gas Tracer/GX-20003/RP-3R/RP-2009	38.00
80-0009RK-20	Hose, 20', polyurethane, GX-2012/Gas Tracer/GX-20003/RP-3R/RP-2009	40.00
80-0009RK-25	Hose, 25', polyurethane, GX-2012/Gas Tracer/GX-20003/RP-3R/RP-2009	42.00
80-0009RK-30	Hose, 30', polyurethane, GX-2012/Gas Tracer/GX-20003/RP-3R/RP-2009	46.00
80-0020RK	Coiled tubing with connectors, 3' (for connection to GX-2009 / GX-2001 adaptor)	65.00
80-0172	Probe with hydrophobic filter, dust filter, no scrubber section, for GX-6000/ (not for Cl2 use) / GX-8000/RX-8000/GX-Force/GX-2012/GasTracerGX-2001/GX-2003/RP-3R.....	35.00
80-0404RK	Dilution fitting, 50:50 for GX-2003/-2012/Gas Tracer/GX-Force/RP-2009/RP-6/RP-3R.....	95.00
81-1106RK	Sample adaptor for GX-2001 or GX-2009, rigid plastic, used with RP-6	26.00

Discontinued Portables Replacement Parts

GX-2003 Five in One Sample Draw

Part#	Description	Suggested Retail
06-1248RK	Tubing, polyurethane, 3/16" ID x 5/16" OD, per foot.....	2.00
06-1248RK-03	Calibration kit tubing, polyurethane, 3/16" ID x 5/16" OD, 3 feet.....	4.50
07-2005RK	Gasket, filter/screen retaining, RP-3R / RP-2009 / RP-6 / GX-2003 / GX-2012 / Gas Tracer / GX-Force	15.00
07-6000RK	O-ring for inlet fitting of RP-3R/RP-2009/RP-6/GX-2003/GX-2012/Gas Tracer	1.00
13-0112RK	Wrist strap	4.00
17-1000RK	Inlet fitting (also needs o-ring 07-6000RK) for RP-3R/RP-6	8.80
17-1001RK	Tapered rubber inlet nozzle, 4", RP-3R/RP-2009/RP-6/GX-2003/GX-2012/ Gas Tracer	8.00
17-4430RK-01	Bypass tee probe w/GX-7 quick disconnect,for GX-2003 / GX-2012/Gas Tracer purge sampling	22.00
20-0110RK-01	Case for 1-3 cylinders,17/34L/34AL, with foam.....	120.00
20-0112RK-03	Case with foam, for GX-2003 with accessories & cal kit with one cylinder	200.00
20-0114RK-01	Case with foam, for GX-2003 with accessories & cal kit with 2 cylinders	220.00
21-1062RK	Battery cover for the GX-2003	18.00
21-1833RK	Filter holder, clear plastic, RP-3R/RP-2009/GX-2003/GX-2012/Gas Tracer/GX-6000	12.80
21-1857RK	Filter holder (for CO and LEL sensors), GX-2003	11.60
21-1858RK	Sensor cap, with flow chamber, GX-2003	96.00
21-1859RK	Top cover assembly, GX-2003	48.00
21-1861RK	Rear case assembly with battery springs, cover knob, and gasket, GX-2003	100.00
30-0015RK	Pump replacement for RP-6 or GX-2003	135.00
30-0311RK	Pump diaphragm only, for RP-6 or GX-2003	26.00
33-0159RK	Teflon filter disk, 10 pieces, RP-3R/RP-2009/RP-6/GX-2003/GX-2012/Gas Tracer/GX-6000/NC-1000/ GX-Force	24.00
33-1031RK	Cotton balls, filters for probe, bag of 25 (For 80-0150RK old style probe)	4.00
33-1112RK	Wire mesh disk filter, RP-3R/RP-2009/RP-6/GX-2003/GX-2012/Gas Tracer/GX-6000/GX-Force, 10 pack ...	15.00
33-3013	Filter element, particle, polypropylene/polyethylene for GX-6000, GX-2012,Gas Tracer, GX-2001, GX-2003, RP-3R probe, (not for Cl2)	2.00
33-3013-10	Filter element, particle, polypropylene/polyethylene for GX-6000, GX-2012, Gas Tracer, GX-2001, GX-2003, RP-3R probe, (not for Cl2) pack of 10.....	20.00
45-2430RK	Plug adapter for charger, US to Euro, non-grounded	3.60
47-5084RK-01	Downloading cable, USB / IrDA adapter, Windows XP, Windows 7, Windows 8, Windows 10, and Windows 11 compatible	230.00
49-1120RK	Size AA alkaline battery	1.40
49-1405RK	Lithium battery, 1.55 volt, SR41W, GX-2003/EAGLE 2 (PCB memory backup battery)	4.00
49-2167RK	Charging station, 115 / 220 VAC, GX-2003 (new style)	96.00
57-2064RK	Analogue PCB assembly with sensor sockets installed, GX-2003.....	360.00
65-7001RK	Dummy sensor for GX-2009, GX-2012, or GX-6000 empty sensor slots (LEL, O2, H2S, & CO)	5.00
71-0089RK	Operator's Manual, Model GX-2003	6.00
80-0009RK-10	Hose, 10', polyurethane, GX-2012/Gas Tracer/GX-Force/GX-20003/RP-3R/RP-3R/RP-2009.....	36.00
80-0009RK-15	Hose, 15', polyurethane, GX-2012/Gas Tracer/GX-20003/RP-3R/RP-2009	38.00
80-0009RK-20	Hose, 20', polyurethane, GX-2012/Gas Tracer/GX-20003/RP-3R/RP-2009	40.00
80-0009RK-25	Hose, 25', polyurethane, GX-2012/Gas Tracer/GX-20003/RP-3R/RP-2009	42.00
80-0009RK-30	Hose, 30', polyurethane, GX-2012/Gas Tracer/GX-20003/RP-3R/RP-2009	46.00
80-0009RK-40	Hose, 40', polyurethane, GX-2012/Gas Tracer/GX-20003/RP-3R/RP-2009	54.00
80-0144RK	Extendable probe, 7' (collapsible to 2'), fiberglass with filter for GX-2003/GX-2012/Gas Tracer.....	88.00
80-0155RK	Probe assembly, 30", aluminum, with cotton ball filter, for GX-2003/GX-2012/Gas Tracer	76.00
80-0157RK	Bar hole probe, 30" fiberglass for GX-2003/GX-2012/Gas Tracer	70.00
80-0172	Probe with hydrophobic filter, dust filter, no scrubber section, for GX-6000/ (not for Cl2 use) / GX-8000/RX-8000/GX-Force/GX-2012/GasTracerGX-2001/GX-2003/RP-3R.....	35.00
80-0404RK	Dilution fitting, 50:50 for GX-2003/-2012/Gas Tracer/GX-Force/RP-2009/RP-6/RP-3R.....	95.00
81-0154RK-02	Cylinder, H2S 25 ppm / CO 50 ppm / CH4 50% LEL / O2 12% in N2, 58AL	190.00
81-1050RK	Regulator, with gauge & knob, 17/34L, 0.5 LPM, CGA 600 fitting.....	125.00
81-1051RK	Regulator, with gauge & knob, 34AL/58AL/103L steel, 0.5 LPM, C-10 fitting	125.00
81-1054RK	Regulator, demand flow for 34AL/58AL/103L/116L cylinders	280.00
81-1126RK	Gas bag with fitting & hose barb, 9" x 12" tedlar, 3 liters	30.00



Discontinued Portables Replacement Parts

GX-2003 Replacement Sensors

Part#	Description	Suggested Retail
ES-1821	Sensor, Carbon Monoxide (CO) 0-500 ppm for GX-2009/GX-2012/GX-6000/CO-03/GasWatch 2/Gas Tracer	140.00
ES-1827i	Sensor, Hydrogen Sulfide (H2S) 0-100 ppm for GX-2009/GX-2012/GX-6000/HS-03/GasWatch 2	140.00
NC-6264A	Sensor, Methane (CH4) 0-100% LEL for GX-2009/GX-2012/GX-6000/GP-03/Gas Tracer	120.00
OS-BM2	Sensor, Galvanic, Oxygen (O2) 0-25% Vol. for GX-2009/GX-2012/GasTracer/GX-6000/OX-03/GasWatch 3	120.00
TE-7561	Sensor, TC, % volume, GX-2003/GX-2012/Gas Tracer	160.00

Calibration Kits

Instrument #	Cal-Kit Part #	Cal-Kit Description	Price
72-0234RK 72-0236RK 72-0240RK 72-0250RK	81-GX03CO	Cal kit, GX-2003/GX-2012, 103L steel cyl CO/CH4/O2 in N2, dem flow reg, case & tubing	455.00
	81-GX03CO-DLV	Cal kit, GX-2003/GX-2012, 34L cyl CO/CH4/O2, dem flow reg, case & tubing	455.00
	81-GX03CO-LV	Cal kit, GX-2003/GX-2012, 34L cyl CO/CH4/O2 in N2, dispensing valve, gas bag, case & tubing	240.00
72-0260RK 72-0270RK	81-GX03HSCO	Cal kit, GX-2003/GX-2012, 58AL cyl H2S (25 ppm)/CO/CH4/O2, dem flow reg, case & tubing	495.00
	81-GX03HSCO-DLV	Cal kit, GX-2003/GX-2012, 34AL cyl H2S (25 ppm)/CO/CH4/O2, dem flow reg, case & tubing	520.00
	81-GX03HSCO-LV	Cal kit, GX-2003/GX-2012, 34AL cyl H2S (25 ppm)/CO/CH4/O2, reg with gauge & knob, gas bag, case & tubing	435.00
72-0272RK	81-GX03VCO-LV	Cal kit, GX-2003/GX-2012, 34L cyl CO/CH4/O2, 58L 100% vol CH4, reg with gauge & knob, gas bag, case & tubing	515.00
72-0274RK 72-0280RK	81-GX03VHSCO	Cal kit, GX-2003/GX-2012, 58AL cyl H2S (25 ppm)/CO/CH4/O2, 58L 100% vol. CH4, dem flow reg, case & tubing	645.00
	81-GX03VHSCO-LV	Cal kit, GX-2003/GX-2012, 34AL cyl H2S (25 ppm)/CO/CH4/O2, 58L cyl 100% vol. CH4, reg with gauge & knob, disp valve, gas bag, case & tubing	585.00

Discontinued Portables Replacement Parts

GX-2009 Four Gas Personal Monitor Replacement Parts

Part#	Description	Suggested Retail
07-6017RK	Gasket for GX-2009 case, one each	2.50
07-6018RK	Gasket for buzzer hole, GX-2009	6.00
07-6019RK	Sensor chamber gasket for sensor retainer, GX-2009, 1 each	7.00
07-6021RK	Gasket, sensor retainer, 1 each	2.00
10-1098RK	Screw with split lock and flat washers for alligator or belt clip, GX-2009 and GX-6000, 1 each	0.50
10-1104RK	Screw for case or sensor retainer, M2 x 10 mm, GX-2001 or GX-2009, 1 each	0.25
13-0112RK	Wrist strap	4.00
13-0117RK	Belt clip, GX-2009, includes 3 installation screws	16.00
13-0119	Alligator clip with mounting screws, GX-2009	30.00
13-0119-01	Optional ring attachment for 13-0119 with installation screws	9.00
15-0523RK	Battery charger spring contacts for GX-2009 charger, BC-2009	2.20
20-0112RK-01	Padded carrying case for GX-3R, GX-3R Pro, or GX-2009 aspirator kit	120.00
20-0112RK-02	Padded carrying case for GX-3R, GX-3R Pro, or GX-2009, aspirator, and cal kit.	190.00
20-0115RK-01	Padded carrying case for one GX-3R, GX-3R Pro, GX-2009 or 03 series instrument and charger only	80.00
20-0116	Case with foam, generic for small portable instruments including 03/04 Series/GX-3R/GX-3R Pro/GX-2009	18.00
20-0324RK	Protective cover for GX-2009, vinyl	36.00
21-1880RK	Front case, GX-2009	57.00
21-1881RK	Case, rear, GX-2009	94.00
21-1882RK	Sensor retainer, GX-2009 (inner piece)	28.00
21-1883RK	Sensor case with PCB assembly, GX-2009	70.00
21-1884RK	Sensor cover, GX-2009 (outside piece)	10.00
21-1885RK	Sensor cap assembly, GX-2009 (8 parts)	68.00
24-5000RK	Flexible printed circuit (FPC), GX-2009	18.00
30-1054RK	Vibration motor for the GX-2009 and GX-6000	32.00
33-0172-100	Sensor Cover, water proof, sheet for 4 sensors, GX-2009, pack of 100 sheets	300.00
33-0172RK	Sensor Cover, water proof, sheet for 4 sensors, GX-2009, 1 each	6.00
33-1113RK	Metal mesh filter for buzzer hole, GX-2009, 1 each	6.00
33-7009	Silicone scrubber disk, 5 pack for GX-2009	13.00
33-7102RK	Filter, charcoal, for CO sensor, pack of 5, GX-2009/GX-2012/Gas Tracer/GX-6000	10.00
33-7114RK	Filter disk, H2S scrubber, strip of 5, for LEL sensor port, GP-01/GX-2001/GX-2009/GX-2012/Gas Tracer/GX-6000/GP-03	10.00
33-7117RK-01	Filter set for 1 instrument, 1 charcoal disk, 1 H2S scrubber, and 1 waterproof sensor cover for GX-2009	14.00
33-7117RK-05	Filter set for 5 instruments, 5 charcoal disk, 5 H2S scrubbers, & 5 waterproof sensor covers for GX-2009	60.00
45-2430RK	Plug adapter for charger, US to Euro, non-grounded	3.60
46-3070RK	Connector for combining 2 charger bases (required to join chargers), BC-2009	14.00
47-5084RK-01	Downloading cable, USB / IrDA adapter, Windows XP, Windows 7, Windows 8, Windows 10, and Windows 11 compatible	230.00
49-0115RK	115 / 220 VAC Adapter for charger, GX-6000/GX-2009/GX-2012/Gas Tracer/EAGLE 2/GX-8000/SC-8000	20.00
49-1050RK	Battery, memory backup, silver oxide, SR 616, 1.55 volts, GX-2009 and GX-6000, snaps in	10.00
49-1609RK	Ni-MH battery set with hardware for GX-2009, set of 2 batteries	80.00
49-2020RK	12 VDC Adapter for charger with vehicle plug (charger base not included), GX-2009/GX-2012/Gas Tracer/GX-6000	24.00
49-2058RK-04	AC adapter 4 port charger for SDM-2009, SDM-2012, and SDM-03	88.00
49-2170RK	Charging station base only, BC-2009	75.00
49-2170RK-01	Charging station with 115 / 220 VAC power supply for single instrument, GX-2009	90.00
49-2170RK-02	Charging station with 115 / 220 VAC power supply for two instruments, GX-2009	170.00
49-2170RK-03	Charging station with 115 / 220 VAC power supply for three instruments, GX-2009	250.00
49-2170RK-04	Charging station with 115 / 220 VAC power supply for four instruments, GX-2009	330.00
49-2170RK-05	Charging station with 115 / 220 VAC power supply for five instruments, GX-2009	410.00
49-2171RK	Charging station with 12 VDC adapter and vehicle adaptor plug for GX-2009 (single unit)	95.00
51-1119RK	LCD module assembly with flat cable for GX-2009	30.00
57-2052RK	PCB main assembly, GX-2009	250.00
65-7001RK	Dummy sensor for GX-2009, GX-2012, or GX-6000 empty sensor slots (LEL, O2, H2S, & CO)	5.00
65-SENSORSET	Sensor set for GX-2009, four sensors including LEL, O2, H2S, and CO	520.00
81-0090RK-01	Cylinder, CO 50 ppm / CH4 50% LEL / O2 12 % in N2, 34L steel	55.00
81-0090RK-03	Cylinder, CO 50 ppm / CH4 50% LEL / O2 12 % in N2, 103L steel	150.00
81-0154RK-02	Cylinder, H2S 25 ppm / CO 50 ppm / CH4 50% LEL / O2 12% in N2, 58AL	190.00



Discontinued Portables Replacement Parts

GX-2009 Four Gas Personal Monitor Replacement Parts (continued)

<u>Part#</u>	<u>Description</u>	<u>Suggested Retail</u>
81-0154RK-04	Cylinder, H2S 25 ppm / CO 50 ppm / CH4 50% LEL / O2 12% in N2, 34AL	160.00
81-0154RK-06-10	Bump test cylinder, H2S 40 ppm / CO 100 ppm / Methane 50% LEL / O2 12% in N2, 11AL aerosol with cal cup for GX-2009	75.00
81-0154RK-116	Cylinder, H2S 25 ppm / CO 50 ppm / CH4 50% LEL / O2 12% in N2, 116AL.....	320.00
81-1050RK	Regulator, with gauge & knob, 17/34L, 0.5 LPM, CGA 600 fitting.....	125.00
81-1051RK	Regulator, with gauge & knob, 34AL/58AL/103L steel, 0.5 LPM, C-10 fitting	125.00
81-1106RK	Sample adaptor for GX-2001 or GX-2009, rigid plastic, used with RP-6	26.00
81-1107RK	Cal cap for GX-2001 and GX-2009	17.00
81-1160RK	Hand aspirated sampler, with 10' hose and probe, GX-2001 or GX-2009	95.00
81-1160RK-20	Hand aspirated sampler, with 20' hose and probe, GX-2001 or GX-2009	99.00

GX-2009 Replacement Sensors

<u>Part#</u>	<u>Description</u>	<u>Suggested Retail</u>
ES-1821	Sensor, Carbon Monoxide (CO) 0-500 ppm for GX-2009/GX-2012/GX-6000/CO-03/GasWatch 2/Gas Tracer	140.00
ES-1827i	Sensor, Hydrogen Sulfide (H2S) 0-100 ppm for GX-2009/GX-2012/GX-6000/HS-03/GasWatch 2	140.00
NC-6264A	Sensor, Methane (CH4) 0-100% LEL for GX-2009/GX-2012/GX-6000/GP-03/Gas Tracer	120.00
NC-6264AZX	Sensor, Methane (CH4) 0-100% LEL, silicone resistant, for GX-2009/GX-2012/GX-6000/GX-2001/ GX-2003/Gas Tracer/GP-01	130.00
OS-BM2	Sensor, Galvanic, Oxygen (O2) 0-25% Vol. for GX-2009/GX-2012/GasTracer/GX-6000/OX-03/GasWatch 3	120.00

Discontinued Portables Replacement Parts

GX-2009 Calibration Kits

Instrument #	Cal-Kit Part #	Cal-Kit Description	Price
72-0300RK 72-0300RKA 72-0300RKC 72-0304RK 72-0304RKA 72-0304RKC 72-0306RK 72-0306RKA 72-0306RKC 72-0308RK 72-0308RKA 72-0308RKC 72-0311RK 72-0311RKA 72-0311RKC	81-GX01CO	Cal kit, GX-2001/GX-2009, 103L steel cyl Methane/CO/O2, reg with gauge & knob, cal cap, case & tubing	360.00
72-0302RK 72-0302RKA 72-0302RKC	81-GX01HSO2-LV	Cal kit, GX-2001/GX-2009, 34AL cyl H2S/N2, reg with gauge & knob, cal cap, case & tubing	285.00
72-0305RK 72-0305RKA 72-0305RKC 72-0307RK 72-0307RKA 72-0307RKC 72-0309RK 72-0309RKA 72-0309RKC 72-0310RK 72-0310RKA 72-0310RKC 72-0312RK 72-0312RKA 72-0312RKC 72-0313RK 72-0313RKA 72-0313RKC 72-0314RK 72-0314RKA 72-0314RKC	81-GX01HSCO	Cal kit, GX-2001/GX-2009, 58AL cyl Methane/H2S/CO/O2, reg with gauge & knob, cal cap, case & tubing	400.00
72-0307RK 72-0307RKA 72-0307RKC 72-0310RK 72-0310RKA 72-0310RKC 72-0312RK 72-0312RKA 72-0312RKC 72-0314RK 72-0314RKA 72-0314RKC	81-GX01HSCO-LV	Cal kit, GX-2001/GX-2009, 34AL cyl Methane/H2S/CO/O2, reg with gauge & knob, cal cap, case & tubing	425.00
72-0307RK 72-0307RKA 72-0307RKC 72-0310RK 72-0310RKA 72-0310RKC 72-0312RK 72-0312RKA 72-0312RKC 72-0314RK 72-0314RKA 72-0314RKC	81-GX01HCOIB-LV	Cal kit, GX-2001/GX-2009, 34AL cyl Isobutane/H2S/CO/O2, reg with gauge & knob, cal cap, case & tubing	425.00

Discontinued Portables Replacement Parts

GX-4000A Four Gas Detector (GX-111)

<u>Part#</u>	<u>Description</u>	
30-0522RK	Inlet fitting, standard, metal, quick disconnect, female, EAGLE/1641/GX-4000A	38.00
33-0160RK	Dust filter, internal, plastic, GX-4000 / RX-415	2.40
33-3016RK	Hydrophobic filter, replacement, GX-4000A	8.00
33-6090RK	Charcoal filter replacement, GX-4000A / EAGLE 2	8.50
49-1140RK	Size D alkaline battery	2.70
49-1240RK	Battery, Ni-Cad, D size	22.00

Replacement Sensors

<u>Part#</u>	<u>Description</u>	
62-0126RK	Sensor, LEL for GX-4000A (NS-2900-M)	80.00
65-0601RK	Sensor, Oxygen (O2) (OS-B3), for EAGLE, EAGLE 2, or RX-415	160.00
65-2003RK	Sensor, Carbon Monoxide (CO), ES-81, GX-82 type	175.00
65-2033RK	Sensor, Hydrogen Sulfide (H2S), ES-87A, GX-82 type	175.00

Calibration Kits

Instrument #	Cal-Kit Part #	Cal-Kit Description	Price
72-0085RK	81-GX4000RK	Cal kit, GX-4000, 103L steel cyl CO/CH4/O2, 58AL cyl H2S/N2, dem flow reg, screwdriver, case & tubing	620.00

GX-82A & GX - 86A Multi-Gas Diffusion Monitor



<u>Part#</u>	<u>Description</u>	<u>Suggested Retail</u>
33-7101RK	Charcoal Filter for CO sensor (GX-82A/-86A), fixed system CO sensors	6.00
49-1130RK	Battery, C size, alkaline battery	2.60
49-1403RK	Battery, lithium, 3V, mem ret, GX-86A / EAGLE	4.50
80-0009RK-10	Hose, 10', polyurethane, GX-2012/Gas Tracer/GX-Force/GX-20003/RP-3R/RP-3R/RP-2009.....	36.00
80-0009RK-20	Hose, 20', polyurethane, GX-2012/Gas Tracer/GX-20003/RP-3R/RP-2009	40.00
80-0009RK-30	Hose, 30', polyurethane, GX-2012/Gas Tracer/GX-20003/RP-3R/RP-2009	46.00
80-0172	Probe with hydrophobic filter, dust filter, no scrubber section, for GX-6000/ (not for Cl2 use) /GX-8000/RX-8000/GX-Force/GX-2012/GasTracerGX-2001/GX-2003/RP-3R	35.00
80-0225RK	Hydrophobic filter, in line, ACRO - 50 with fittings for GX-7/GX-2001/GX-2003/GX-2012/ Gas Tracer and RX-415	75.00
80-0404RK	Dilution fitting, 50:50 for GX-2003/-2012/Gas Tracer/GX-Force/RP-2009/RP-6/RP-3R.....	95.00
81-0090RK-01	Cylinder, CO 50 ppm / CH4 50% LEL / O2 12 % in N2, 34L steel	55.00
81-0090RK-03	Cylinder, CO 50 ppm / CH4 50% LEL / O2 12 % in N2, 103L steel	150.00
81-0154RK-02	Cylinder, H2S 25 ppm / CO 50 ppm / CH4 50% LEL / O2 12% in N2, 58AL	190.00
81-0154RK-04	Cylinder, H2S 25 ppm / CO 50 ppm / CH4 50% LEL / O2 12% in N2, 34AL	160.00
81-1109RK	Cal cup for 82 single gas series, GX-82/86/91B (Not for GX-82A or GX-86A)	50.00

Replacement Sensors

<u>Part#</u>	<u>Description</u>	<u>Suggested Retail</u>
60-5010RK	LEL filaments only, for HW-6244A, (for 61-0220RK), GX-82/-86, GX-82A/-86A, GP-82.....	40.00
61-0220RK	Sensor, LEL (complete), HW-6244A, GX-82 type	80.00
65-2003RK	Sensor, Carbon Monoxide (CO), ES-81, GX-82 type	175.00
65-2033RK	Sensor, Hydrogen Sulfide (H2S), ES-87A, GX-82 type	175.00

Discontinued Portables Replacement Parts

GX - 94 Two, Three or Four Gas Diffusion

<u>Part#</u>	<u>Description</u>	<u>Suggested Retail</u>
30-0600RK-01	Pump, internal, with connector, EAGLE/EAGLE 2/RP-GX-94.....	200.00
49-1130RK	Battery, C size, alkaline battery	2.60
49-1402RK	Data logging back up battery, 3.0 V lithium, CR2032 coin type	2.00
49-3102RK	Ni-Cad battery charger (Bench charger for up to 4 batteries), 12 VDC	125.00
80-0009RK-10	Hose, 10', polyurethane, GX-2012/Gas Tracer/GX-Force/GX-20003/RP-3R/RP-3R/RP-2009.....	36.00
80-0172	Probe with hydrophobic filter, dust filter, no scrubber section, for GX-6000/ (not for Cl2 use) /GX-8000/RX-8000/GX-Force/GX-2012/GasTracerGX-2001/GX-2003/RP-3R	35.00
81-0090RK-01	Cylinder, CO 50 ppm / CH4 50% LEL / O2 12 % in N2, 34L steel	55.00
81-0090RK-03	Cylinder, CO 50 ppm / CH4 50% LEL / O2 12 % in N2, 103L steel.....	150.00
81-0154RK-02	Cylinder, H2S 25 ppm / CO 50 ppm / CH4 50% LEL / O2 12% in N2, 58AL	190.00
81-0154RK-04	Cylinder, H2S 25 ppm / CO 50 ppm / CH4 50% LEL / O2 12% in N2, 34AL	160.00
81-1119RK	Hand-aspirated pump with hose (10') and probe, GX-94.....	115.00



GX - 94 Replacement Sensors

<u>Part#</u>	<u>Description</u>	<u>Suggested Retail</u>
61-0217RK	Sensor, LEL (HW - 6259A), GX-94 / Safetmate	160.00
65-1058RK	Sensor, Oxygen (O2), OS-BM1 for RX-8000, GX-8000, RX-515, -516, -517, GX-94	150.00
65-2008RK	Sensor, Carbon Monoxide (CO) (ES-031), GX-94 / GX-8000	175.00
65-2038RK	Sensor, Hydrogen Sulfide (H2S) (ES-037A)	175.00

OX-1C Oxygen Sample Draw Detector

<u>Part#</u>	<u>Description</u>	<u>Suggested Retail</u>
30-0402	Aspirator bulb w/tubes,with rubber high performance check valve on exhaust side	10.00
33-1031RK	Cotton balls, filters for probe, bag of 25 (For 80-0150RK old style probe) ...	4.00
33-3013	Filter element, particle, polypropylene/polyethylene for GX-6000, GX-2012, Gas Tracer, GX-2001, GX-2003, RP-3R probe, (not for Cl2).....	2.00
33-3013-10	Filter element, particle, polypropylene/polyethylene for GX-6000, GX-2012, Gas Tracer, GX-2001, GX-2003, RP-3R probe, (not for Cl2) pack of 10	20.00
65-0601RK	Sensor, Oxygen (O2) (OS-B3), for EAGLE, EAGLE 2, or RX-415	160.00
80-0007RK-10	Hose, 10', polyurethane, GX-1, GP-204, OX-1.....	52.00
80-0172	Probe with hydrophobic filter, dust filter, no scrubber section, for GX-6000/ (not for Cl2 use) /GX-8000/RX-8000/GX-Force/GX-2012/GasTracerGX-2001/ GX-2003/RP-3R	35.00
81-OX1	Cal kit, OX-1, 34L cyl 100% N2, reg with gauge & knob, screwdriver, case & tubing	315.00



OX-07 Oxygen Monitor with available Extender Cable

<u>Part#</u>	<u>Description</u>	<u>Suggested Retail</u>
13-0215RK	Alligator clip for SC-01 & OX-07	12.40
20-0322RK	Rubber boot for SC-01 & OX-07	20.00
21-1875RK	Battery cover for SC-01 & OX-07	26.00
21-1876RK	Sensor retainer with rubber guard and o-rings for SC-01 & OX-07	70.00
47-1557RK-05	Extender cable, 5 meters for OX-07	295.00
47-1557RK-10	Extender cable, 10 meters for OX-07	360.00
47-1557RK-20	Extender cable, 20 meters for OX-07	520.00
47-1557RK-30	Extender cable, 30 meters for OX-07	660.00
81-OX07-LV	Cal kit, OX-07, 34L cyl 100% N2, reg with gauge & knob, cal cup, case & tubing	400.00
OS-B01	Sensor, Oxygen (O2), 0-40% vol, plug-in diffusion type, for OX-07	195.00



Calibration Kits

<u>Instrument #</u>	<u>Cal-Kit Part #</u>	<u>Cal-Kit Description</u>	<u>Price</u>
72-0009RK	81-OX07-LV	Cal kit, OX-07, 34L cyl 100% N2, reg with gauge & knob, cal cup, case & tubing	400.00

Discontinued Portables Replacement Parts

P-200 Series Hand Aspirated Single Gas (GP-204, NP-204, XP-204)

Part#	Description	Suggested Retail
30-0402	Aspirator bulb w/tubes,with rubber high performance check valve on exhaust side	10.00
33-1031RK	Cotton balls, filters for probe, bag of 25 (For 80-0150RK old style probe) ...	4.00
33-3013	Filter element, particle, polypropylene/polyethylene for GX-6000, GX-2012, Gas Tracer, GX-2001, GX-2003, RP-3R probe, (not for Cl2)	2.00
33-3013-10	Filter element, particle, polypropylene/polyethylene for GX-6000, GX-2012, Gas Tracer, GX-2001, GX-2003, RP-3R probe, (not for Cl2) pack of 10	20.00
49-1140RK	Size D alkaline battery	2.70
49-1240RK	Battery, Ni-Cad, D size	22.00
49-2011RK	Ni-Cad battery charger, 115 VAC (included with Ni-Cad version instruments only), P-200 series	50.00
57-8021RK	PC Board assembly, NP-204	85.00
62-0107RK	Sensor/flame arrestor assembly, for NP-204, RKK Style, MS-6311	140.00
62-0111-01	Sensor/flame arrestor/hardware, GP-204, RKK Style, converted from 62-0107RK	140.00
65-0601RK	Sensor, Oxygen (O2) (OS-B3), for EAGLE, EAGLE 2, or RX-415	160.00
80-0007RK-03	Hose, 3', polyurethane, GX-1, GP-204, OX-1	48.00
80-0007RK-10	Hose, 10', polyurethane, GX-1, GP-204, OX-1	52.00
80-0155RK	Probe assembly, 30", aluminum, with cotton ball filter, for GX-2003/GX-2012/Gas Tracer	76.00
80-0172	Probe with hydrophobic filter, dust filter, no scrubber section, for GX-6000/ (not for Cl2 use) / GX-8000/RX-8000/GX-Force/GX-2012/GasTracerGX-2001/GX-2003/RP-3R.....	35.00
80-0200RK	Water trap, bowl type, for GP-204	35.00
80-0221RK	Hydrophobic filter, GP-204.....	80.00
EL-7776	Filament set only, CH4, for GP-204 with RKK Style sensors	65.00
HW-6246	Filament set only, Isobutane, for GP-204 shipboard use only	65.00



Calibration Kits

Instrument #	Cal-Kit Part #	Cal-Kit Description	Price
72-0001RK	81-GP204	Cal kit, GP-204, 34L cyl CH4/Air, reg with gauge & knob, screwdriver, case & tubing	315.00
72-0004RK	81-NP204	Cal kit, NP-204, 34L cyl 50% LEL CH4/Air, 34L cyl 50% vol CH4/N2, reg with gauge & knob, screwdriver, case & tubing	370.00
72-0050RK	81-XP204	Cal kit, XP-204 34L cyl 100% N2, reg with gauge & knob, screwdriver, case & tubing	315.00

Discontinued Portables Replacement Parts

RI-415 & RX-415 Series IR Combustible Monitors, 0 - 100% LEL / Volume

Part#	Description	Suggested Retail
30-0017RK	Pump assembly for RI-415	380.00
30-0019RK	Pump assembly for RX-415	240.00
33-0160RK	Dust filter, internal, plastic, GX-4000 / RX-415	2.40
33-3013	Filter element, particle, polypropylene/polyethylene for GX-6000, GX-2012, Gas Tracer, GX-2001, GX-2003, RP-3R probe, (not for Cl2)	2.00
33-3013-10	Filter element, particle, polypropylene/polyethylene for GX-6000, GX-2012, Gas Tracer, GX-2001, GX-2003, RP-3R probe, (not for Cl2) pack of 10	20.00
33-3056RK	Filter with flow monitor, RI-415/NP-237H, quick connect/strt on ends ...	180.00
33-3057RK	Filter with flow monitor for RX-415, quick connect fittings on both ends	180.00
33-3059RK	Filter tube with flow monitor, for RX-515/RX-516/RX-517	180.00
49-1130RK	Battery, C size, alkaline battery	2.60
80-0009RK-99	Hose, 100', polyurethane, RKI style, GX-2012/Gas Tracer/GX-20003/RP-3R/RP-2009	98.00
80-0011RK	Hose, 30 meter, quick disconnect, RI-415 marine version, Riken style (orange)	240.00
80-0012RK	Hose, 3' coiled, polyurethane, RI-411/RI-413A/GP-226/GX-8000/RX-8000	45.00
80-0015RK	Connection tube for RI-415, 1', female GX-7 to 4 x 6 mm tube	16.00
80-0101RK	Hose with floating head, 8 meters (25 feet), with GX-/RX- series	100.00
80-0103RK	Hose, 30 meter, with float type sampling head, for RX-415/RX-516/RX-517/RX-8500/RX-8700	375.00
80-0152RK	Probe assembly for RI-413A/RI-413A/RI-415/GP-88S/SP-237H	30.00
80-0172	Probe with hydrophobic filter, dust filter, no scrubber section, for GX-6000/ (not for Cl2 use) /GX-8000/ RX-8000/GX-Force/GX-2012/GasTracerGX-2001/GX-2003/RP-3R	35.00
80-0213RK	Water trap, bowl type, for GX-7/GP-226/RI-411/RI-413A	75.00
80-0225RK	Hydrophobic filter, in line, ACRO - 50 with fittings for GX-7/GX-2001/GX-2003/GX-2012/Gas Tracer and RX-415	75.00
81-0018RK-01	Cylinder, isobutane 50% LEL in air, 34L steel	55.00
81-0019RK	Cylinder, isobutane 10% volume in N2, 17L steel	45.00
81-0078RK-01	Cylinder, N2 100%, 34L steel	55.00
81-1131RK	Gas bag, Green, LEL range, for RI/RX-415	45.00
81-1132RK	Gas bag, Orange, Volume range, for RI/RX-415	45.00



RI-415 & RX-415 Replacement Sensors

Part#	Description	Suggested Retail
61-5006RK	Sensor, IR, Methane (CH4) & Carbon Dioxide (CO2), RI/RX-415, model DE-3113-4	1,260.00
61-5007RK	Sensor, IR, Hydrocarbons (HC) & Carbon Dioxide (CO2), RI/RX-415, RX-8000, model DE-3123-1	1,260.00
65-0601RK	Sensor, Oxygen (O2) (OS-B3), for EAGLE, EAGLE 2, or RX-415	160.00

Calibration Kits

Instrument #	Cal-Kit Part #	Cal-Kit Description	Price
73-0591RK	81-RX415CH4	Cal kit, RX-415/RX-8000, 34L cyl 50% LEL CH4/Air, 34L cyl 50% vol CH4/Air, 34L cyl 100% N2, disp valve, 3 gas bags, case & tubing	440.00
	81-RX415HC	Cal kit, RX-415/RX-8000, 34L cyl 50% LEL isobutane/Air, 17L cyl 10% vol isobutane/Air, 34L cyl 100% N2, disp valve, three gas bags, case & tubing	430.00



RI-85 Hand Held Infrared CO2 Monitor Calibration Kits

Instrument #	Cal-Kit Part #	Cal-Kit Description	Price
73-0570RK	81-RI85	Cal kit, RI-85, 34L cyl 5, 000 ppm CO2/N2, 34L cyl 100% N2, disp valve, gas bag, case & tubing	295.00
73-0570RK-05	81-RI85-05	Cal kit, RI-85, 34L cyl 2.5% CO2/N2, 34L cyl 100% N2, disp valve, gas bag, case & tubing	295.00

Discontinued Portables Replacement Parts

RX-515, RX-516, & RX-517 Multi-Gas IR Monitors

Part#	Description	Suggested Retail
30-0017RK	Pump assembly for RI-415	380.00
30-0019RK	Pump assembly for RX-415	240.00
33-0160RK	Dust filter, internal, plastic, GX-4000 / RX-415	2.40
33-3013	Filter element, particle, polypropylene/polyethylene for GX-6000, GX-2012, Gas Tracer, GX-2001, GX-2003, RP-3R probe, (not for Cl2).....	2.00
33-3013-10	Filter element, particle, polypropylene/polyethylene for GX-6000, GX-2012, Gas Tracer, GX-2001, GX-2003, RP-3R probe, (not for Cl2) pack of 10	20.00
33-3057RK	Filter with flow monitor for RX-415, quick connect fittings on both ends	180.00
49-1130RK	Battery, C size, alkaline battery	2.60
80-0009RK-99	Hose, 100', polyurethane, RKI style, GX-2012/Gas Tracer/GX-20003/RP-3R/RP-2009	98.00
80-0011RK	Hose, 30 meter, quick disconnect, RI-415 marine version, Riken style (orange)	240.00
80-0012RK	Hose, 3' coiled, polyurethane, RI-411/RI-413A/GP-226/GX-8000/RX-8000	45.00
80-0015RK	Connection tube for RI-415, 1', female GX-7 to 4 x 6 mm tube.....	16.00
80-0101RK	Hose with floating head, 8 meters (25 feet), with GX-/RX- series	100.00
80-0152RK	Probe assembly for RI-413A/RI-413A/RI-415/GP-88S/SP-237H	30.00
80-0172	Probe with hydrophobic filter, dust filter, no scrubber section, for GX-6000/ (not for Cl2 use) / GX-8000/RX-8000/GX-Force/GX-2012/GasTracerGX-2001/GX-2003/RP-3R.....	35.00
80-0213RK	Water trap, bowl type, for GX-7/GP-226/RI-411/RI-413A	75.00
80-0225RK	Hydrophobic filter, in line, ACRO - 50 with fittings for GX-7/GX-2001/GX-2003/GX-2012/ Gas Tracer and RX-415	75.00
81-0018RK-01	Cylinder, isobutane 50% LEL in air, 34L steel.....	55.00
81-0019RK	Cylinder, isobutane 10% volume in N2, 17L steel	45.00
81-0078RK-01	Cylinder, N2 100%, 34L steel	55.00
81-1131RK	Gas bag, Green, LEL range, for RI/RX-415	45.00
81-1132RK	Gas bag, Orange, Volume range, for RI/RX-415	45.00



Replacement Sensors For RX-515, RX-516, & RX-517

Part#	Description	Suggested Retail
61-5006RK	Sensor, IR, Methane (CH4) & Carbon Dioxide (CO2), RI/RX-415, model DE-3113-4	1,260.00
61-5007RK	Sensor, IR, Hydrocarbons (HC) & Carbon Dioxide (CO2), RI/RX-415, RX-8000, model DE-3123-1	1,260.00
65-1058RK	Sensor, Oxygen (O2), OS-BM1 for RX-8000, GX-8000, RX-515, -516, -517, GX-94	150.00
ES-031M-CO	Sensor, Carbon Monoxide (CO), 0 - 1,000 ppm for RX-515	225.00
ES-037R-H2S	Sensor, Hydrogen Sulfide (H2S), low range 0 - 100 ppm, ES-037R for RX-516/RX-517	150.00
ES-037RM-H2S	Sensor, Hydrogen Sulfide (H2S), high range 0 - 1,000 ppm, ES-037R, for RX-517	225.00

Calibration Kits

Instrument #	Cal-Kit Part #	Cal-Kit Description	Price
73-0610RK	81-RX515-LV	Cal kit, RX-515, 34L cyl 10% vol CH4 in N2, 34L cyl 50% LEL CH4 in Air, 34L cyl 100 ppm CO in N2, 34L cyl 15% CO2 in N2, dispensing valve, three gas bags, case & tubing	625.00
73-0611RK 73-0612RK	81-RX517-LV	Cal kit, RX-517, 34L cyl 50 ppm H2S/50% LEL isobutane in N2, 17L cyl 10% vol isobutane/N2, disp valve, 6 LPM regulator, two gas bags, case & tubing	565.00

Discontinued Portables Replacement Parts

SC-01 Accessories & Replacement Parts

Part#	Description	Suggested Retail
06-1283RK	Tubing, teflon/polyurethane, 1/4" OD x 1/8" ID, 3', for toxic gas cal kits ...	30.00
13-0215RK	Alligator clip for SC-01 & OX-07	12.40
13-0216RK	Alligator clip mounting bracket for SC-01	3.50
13-0217RK	Belt clip for SC-01, includes 2 screws	9.00
20-0322RK	Rubber boot for SC-01 & OX-07	20.00
21-1875RK	Battery cover for SC-01 & OX-07	26.00
21-1876RK	Sensor retainer with rubber guard and o-rings for SC-01 & OX-07	70.00
47-1561RK	Extender cable, 3 meters, for SC-01	420.00
47-5084RK-01	Downloading cable, USB / IrDA adapter, Windows XP, Windows 7, Windows 8, and Windows 10 compatible	230.00
49-1120RK	Size AA alkaline battery	1.40
49-1405RK	Lithium battery, 1.55 volt, SR41W, GX-2003/EAGLE 2 (PCB memory backup battery)	4.00
49-1405RK-10	Battery contact, positive, for GX-2003/EAGLE 2, lithium battery, SUS304+NI3	1.50
57-2068RK	PCB assembly, CPU board for SC-01	140.00
57-2069RK	PCB assembly analog board for SC-01	175.00
81-0062RK-01	Cylinder, CO 50 ppm in N2, 34L steel	55.00
81-0062RK-03	Cylinder, CO 50 ppm in N2, 103L steel	150.00
81-0151RK-02	Cylinder, H2S 25 ppm in N2, 58AL	150.00
81-0151RK-04	Cylinder, H2S 25 ppm in N2, 34AL	130.00
81-0170RK-02	Cylinder, SO2 5 ppm in N2, 58AL	160.00
81-0170RK-04	Cylinder, SO2 5 ppm in N2, 34AL	140.00
81-0175RK-02	Cylinder, NH3 10 ppm in N2, 58AL	300.00
81-0175RK-04	Cylinder, NH3 10 ppm in N2, 34AL	280.00
81-0185RK-02	Cylinder, PH3 0.5 ppm in N2, 58AL	300.00
81-0185RK-04	Cylinder, PH3 0.5 ppm in N2, 34AL	260.00
81-0192RK-02	Cylinder, Cl2 2 ppm in N2, 58AL	340.00
81-0192RK-04	Cylinder, Cl2 2 ppm in N2, 34AL	220.00
81-0196RK-02	Cylinder, HCN 10 ppm in N2, 58AL	300.00
81-0196RK-04	Cylinder, HCN 10 ppm in N2, 34AL	280.00
81-1051RK	Regulator, with gauge & knob, 34AL/58AL/103L steel, 0.5 LPM, C-10 fitting	125.00
81-1051RK-25	Regulator, with gauge and knob, 34AL/58AL/103L steel, 0.25 LPM, C-10 fitting	125.00
81-1139RK	Cal cup for general SC-01 use, (NOT for CL2 or NH3)	100.00
81-1139RK-CL2	Cal cup for chlorine (Cl2) SC-01	105.00
81-1139RK-NH3	Cal cup for ammonia (NH3) SC-01	105.00
82-5011RK-USB	Downloading kit with software & IrDA to USB cable	240.00
83-0010RK	Data downloading software for SC-01	25.00



Discontinued Portables Replacement Parts

SC-01 Replacement Sensors

Part#	Description	Suggested Retail
ESM-011-CO	Sensor, Carbon Monoxide (CO), 0-75 ppm, ESM-01 plug-in diffusion type	195.00
ESM-017-H2S	Sensor, Hydrogen Sulfide (H2S), 0 - 30 ppm, ESM-01 plug-in diffusion type	195.00
ESM-01DH-ASH3	Sensor, Arsine (AsH3), 0 - 1.50 ppm, ESM-01 plug-in type	195.00
ESM-01DH-D-SO2	Sensor, Sulfur Dioxide (SO2), 0 - 6 ppm, ESM-01 plug-in type	195.00
ESM-01DH-PH3	Sensor, Phosphine (PH3), 0 - 1.0 ppm, ESM-01 plug-in type	195.00
ESM-01R-D-NH3	Sensor, Ammonia (NH3), 0 - 75 ppm, ESM-01 plug-in type, for diffusion instruments	195.00
ESM-K01-D-CL2	Sensor, Chlorine (Cl2), 0 - 3 ppm, ESM-01 plug-in diffusion type	195.00

SC-01 Calibration Kits

Instrument #	Cal-Kit Part #	Cal-Kit Description	Price
73-0050RK-ASH3 73-0051RK-ASH3	81-SC01ASH3	Cal kit, SC-01, 58AL cyl 0.5 ppm PH3/N2, reg with gauge & knob, cal cup, case & tubing	615.00
	81-SC01ASH3-LV	Cal kit, SC-01, 34AL cyl 0.5 ppm PH3/N2, reg with gauge & knob, cal cup, case & tubing	635.00
73-0050RK-CL2 73-0051RK-CL2	81-SC01CL2	Cal kit, SC-01, 58AL cyl 2 ppm Cl2/N2, reg with gauge & knob, cal cup, case & tubing	660.00
	81-SC01CL2-LV	Cal kit, SC-01, 34AL cyl 2 ppm Cl2/N2, reg with gauge & knob, cal cup, case & tubing	600.00
73-0050RK-CO 73-0051RK-CO	81-SC01CO	Cal kit, SC-01, 103L steel cyl 50 ppm CO/N2, reg with gauge & knob, cal cup, case & tubing	440.00
	81-SC01CO-LV	Cal kit, SC-01, 34L cyl 50 ppm CO/N2, reg with gauge & knob, cal cup, case & tubing	345.00
73-0050RK-H2S 73-0051RK-H2S	81-SC01H2S	Cal kit, SC-01, 58AL cyl 25 ppm H2S/N2, reg with gauge & knob, cal cup, case & tubing	440.00
	81-SC01H2S-LV	Cal kit, SC-01, 34AL cyl 25 ppm H2S/N2, reg with gauge & knob, cal cup, case & tubing	475.00
73-0050RK-HCN 73-0051RK-HCN	81-SC01HCN	Cal kit, SC-01, 58AL cyl 10 ppm HCN/N2, reg with gauge & knob, cal cup, case & tubing	615.00
	81-SC01HCN-LV	Cal kit, SC-01, 34AL cyl 10 ppm HCN/N2, reg with gauge & knob, cal cup, case & tubing	655.00
73-0050RK-NH3 73-0051RK-NH3	81-SC01NH3	Cal kit, SC-01, 58AL cyl 25 ppm NH3/N2, reg with gauge & knob, cal cup, case & tubing	620.00
	81-SC01NH3-LV	Cal kit, SC-01, 34AL cyl 25 ppm NH3/N2, reg with gauge & knob, cal cup, case & tubing	660.00
73-0050RK-PH3 73-0051RK-PH3	81-SC01PH3	Cal kit, SC-01, 58AL cyl 0.5 ppm PH3/N2, reg with gauge & knob, cal cup, case & tubing	615.00
	81-SC01PH3-LV	Cal kit, SC-01, 34AL cyl 0.5 ppm PH3/N2, reg with gauge & knob, cal cup, case & tubing	635.00
73-0050RK-SO2 73-0050RK-SO2	81-SC01SO2	Cal kit, SC-01, 58AL cyl 5 ppm SO2/N2, reg with gauge & knob, cal cup, case & tubing	475.00
	81-SC01SO2-LV	Cal kit, SC-01, 34AL cyl 5 ppm SO2/N2, reg with gauge & knob, cal cup, case & tubing	485.00

Discontinued Portables Replacement Parts

Portable Replacement Sensors

Description	Range	Part #	Price	
GX-3R GX-3R Pro 04 Series GasWatch 3 GX-Force				
LEL Hydrocarbon (GX-3R or GX-3R Pro)	LEL	0 - 100 % LEL	NCR-6309	150.00
Oxygen (GX-3R or GX-3R Pro, GW3 uses OS-BM2)	O2	0 - 40 % vol.	ESR-X13P-OXY	150.00
Carbon Monoxide / Hydrogen Sulfide (combo sensor)	CO/H2S	0 - 2000 ppm 0 - 200 ppm	ESR-A1DP-COHS	240.00
Carbon Monoxide / Oxygen (combo sensor)	CO/O2	0-2000 ppm 0-25 % vol	ESR-X1DP-CX	240.00
Carbon Monoxide	CO	0 - 2000 ppm	ESR-A13P-CO	150.00
Carbon Monoxide (with Hydrogen compensation)	CO	0 - 2000 ppm	ESR-A1CP-CO-H	240.00
Ammonia (GX-3R Pro or 04 Series)	NH3	0 - 400 ppm	ESR-B134-NH3	240.00
Chlorine (GX-3R Pro or 04 Series)	Cl2	0 - 10 ppm	ESR-B136-CL2	240.00
Hydrogen Sulfide	H2S	0 - 200 ppm	ESR-A13i-H2S	150.00
Hydrogen Cyanide (GX-3R Pro or 04 Series)	HCN	0 - 30 ppm	ESR-A13D-HCN	240.00
Nitrogen Dioxide (GX-3R Pro or 04 Series)	NO2	0 - 20 ppm	ESR-A13D-NO2	240.00
Phosphine (GX-3R Pro or 04 Series)	PH3	0 - 20.0 ppm	ESR-A13D-PH3	240.00
Sulfur Dioxide (GX-3R Pro or 04 Series)	SO2	0 - 100 ppm	ESR-A13D-SO2	240.00
GX-2009 GX-2012 Gas Tracer GX-6000 03 Series 01 Series GasWatch 2 GasWatch 3 (O2) GX-2001 GX-2003				
LEL Hydrocarbon (GX-2001, GX-2003, & GX-2009, GX-2012, & GT.)	LEL	0 - 100 % LEL	NC-6264A	120.00
Oxygen	O2	0 - 40 % vol.	OS-BM2	120.00
Carbon Monoxide	CO	0 - 500 ppm	ES-1821	140.00
Hydrogen Sulfide	H2S	0 - 100 ppm	ES-1827i	140.00
TC % volume (GX-2003, GX-2012, or Gas Tracer)	VOL	0-100% vol	TE-7561	160.00
PPM Methane (Gas Tracer only)	PPM	0 - 5,000 ppm	SH-8641	150.00
GX-6000				
VOC's low range (10.6 eV)	VOC	0-50 ppm	PID-001L	1,700.00
VOC's high range (10.6 eV)	VOC	0-6,000 ppm	PID-002L	1,300.00
VOC's (10.0 eV)	VOC	0-100 ppm	PID-003L	2,100.00
VOC's (11.7 eV)	VOC	0-1000 ppm	PID-004	2,000.00
Methane IR auto range	CH4	0-100% LEL/vol	DES-3311-3	400.00
Hydrocarbons IR auto range	HC	0-100%LEL/30% vol	DES-3311-2	400.00
Carbon Dioxide IR	CO2	0-10,000 ppm	DES-3311-4	400.00
Carbon Dioxide IR	CO2	0-5% vol	DES-3311-1	400.00
Ammonia	NH3	0-400 ppm	ESS-B332-NH3	260.00
Chlorine	Cl2	0-10 ppm	ESS-B335-CL2	260.00
Hydrogen Cyanide	HCN	0-15 ppm	ESS-03DH-HCN	260.00
Nitrogen Dioxide	NO2	0-9 ppm	ESS-03DH-NO2	260.00
Sulfur Dioxide	SO2	0-6 ppm	ESS-03DH-SO2	260.00
Phosphine	PH3	0-20 ppm	ESS-03DH-PH3	260.00

Portable Replacement Sensors

Description	Range	Part #	Price
EAGLE 2 Series			
LEL / ppm, plug-in	CH4	0 - 100 % LEL	NC-6260B 200.00
Oxygen (OS-B3)	O2	0 - 40 % vol	65-0601RK 160.00
Carbon Monoxide	CO	0 - 500 ppm	65-2005RK 195.00
Hydrogen Sulfide	H2S	0 - 100 ppm	ES-87RW-H2S 195.00
LEL Hydrogen only	H2	0 - 100 % LEL	61-0155RK 250.00
Methane / Hydrogen	CH4	0 - 100% vol	TE-7568-CH4/H2 360.00
VOC's low range	VOC	0 - 50 ppm	61-0302 1,100.00
PID replacement lamp low range	VOC	0 - 50 ppm	51-1503 220.00
PID replacement lamp high range	VOC	0 - 2,000 ppm	51-1503 220.00
Arsine	AsH3	0 - 1.50 ppm	ESM-01DH-ASH3 195.00
Ammonia	NH3	0 - 75 ppm	ESM-01R-NH3 195.00
Chlorine	Cl2	0 - 3 ppm	ESM-K01-CL2 195.00
Carbon Dioxide IR	CO2	0 - 10,000 ppm	DEM-3313-4 750.00
Carbon Dioxide IR	CO2	0 - 5 % vol	DEM-3313-1 750.00
Carbon Dioxide IR	CO2	0 - 60 % vol	DEM-3313-5 750.00
Hydrogen Cyanide	HCN	0 - 15 ppm	ESM-01DH-HCN 195.00
Hydrocarbon autoranging IR	HC	0 - 100 %/30 % vol	DEM-3313-2 750.00
Methane autoranging IR	CH4	0 - 100 %/100 % vol	DEM-3313-3 750.00
Methane IR (volume only)	CH4	0 - 100 % vol	DEM-3313-3A 750.00
Phosphine	PH3	0 - 1.0 ppm	ESM-01DH-PH3 195.00
Sulfur Dioxide	SO2	0 - 6 ppm	ESM-01DH-F-SO2 195.00
EAGLE Series			
LEL / ppm Hydrocarbon	LEL	0 - 100 % LEL	62-0125RK 200.00
Oxygen (sample draw EAGLE only)	O2	0 - 40 % vol.	65-0601RK 160.00
Oxygen (diffusion EAGLE only)	O2	0 - 40 % vol.	65-0613RK 160.00
Carbon Monoxide	CO	0 - 500 ppm	65-2005RK 195.00
Hydrogen Sulfide	H2S	0 - 100 ppm	65-2035RK 195.00
Ammonia (new style, higher range optional)	NH3	0 - 75 ppm	ES-23R-NH3 465.00
Arsine (0 - 0.200 ppm or 0 - 1.00 ppm)	AsH3	0 - 0.200 ppm	ES-23AHS-ASH3 465.00
Bromine	Br2	0 - 1.00 ppm	ES-K233-BR2 465.00
Carbon Monoxide	CO	0 - 150 ppm	ES-23-CO 465.00
Chlorine	Cl2	0 - 3.00 ppm	ES-K233-CL2 465.00
Chlorine Dioxide	ClO2	0 - 1.00 ppm	ES-23AH-D-CL2 465.00
Diborane	B2H6	0 - 30 ppm	ES-23AH-B2H6 465.00
Diborane	B2H6	0 - 0.30 ppm	ES-23AY-B2H6 465.00
Fluorine	F2	0 - 5.00 ppm	ES-K233-F2 465.00
Hydrogen Bromide	HBr	0 - 9.00 ppm	ES-23E-HBR 465.00
Hydrogen Chloride (Acid gas "Family" sensor)	HCl	0 - 15 ppm	ES-K233-HCL 465.00
Hydrogen Chloride (No Cl2 response)	HCl	0 - 15 ppm	ES-23E-HCL 465.00
Hydrogen Cyanide	HCN	0 - 30 ppm	ES-23DH-HCN 465.00
Hydrogen Fluoride	HF	0 - 9.00 ppm	ES-K233-HF 465.00
Hydrogen Iodide	HI	0 - 5 ppm	ES-23E-HI 465.00
Hydrogen Peroxide	H2O2	0 - 3 ppm	ES-23DH-H2O2 465.00

Portable Replacement Sensors

Description		Range	Part #	Price
EAGLE Series				
Hydrogen Sulfide	H2S	0 - 1.00 ppm	ES-23AH-H2S	465.00
Hydrogen Sulfide	H2S	0 - 30 ppm	ES-237-H2S	465.00
Iodine	I2	0 - 1 ppm	ES-K233-I2	465.00
Nitric Acid	HNO3	0 - 20 ppm	ES-K233-HNO3	465.00
Nitrogen Dioxide	NO2	0 - 15 ppm	ES-23AH-NO2	465.00
Nitric Oxide	NO	0 - 100 ppm	ES-23A-NO	465.00
Ozone	O3	0 - 1.00 ppm	ES-K239C-O3	465.00
Phosphine	PH3	0 - 1.00 ppm	ES-23AH-PH3	465.00
Sulfur Dioxide	SO2	0 - 30 ppm	ES-23E-SO2	465.00
Sulfur Dioxide (New style)	SO2	0 - 10 / 6 ppm	ES-238-SO2	465.00
Silane (old style, no H2 response)	SiH4	0 - 15 ppm	ES-23AH-SIH4	465.00
Diffusion EAGLE				
LEL	LEL	0 - 100% LEL	62-0125RK	200.00
Oxygen	O2	0 - 40 % vol.	65-0613RK	160.00
Carbon Monoxide	CO	0 - 500 ppm	65-2005RK	195.00
Hydrogen Sulfide	H2S	0 - 100 ppm	65-2035RK	195.00
GX-94 Series CO-94 / HS-94 / OX-94 GasWatch 1				
LEL	LEL	0 - 100% LEL	61-0217RK	160.00
Oxygen	O2	0 - 40% vol	65-1058RK	150.00
Carbon Monoxide	CO	0 - 500 ppm	65-2008RK	175.00
Hydrogen Sulfide	H2S	0 - 100 ppm	65-2038RK	175.00
GX-82 / GX-86 Series GX-82A / GX-86A Series				
LEL	LEL	0 - 100% LEL	61-0220RK	80.00
LEL filaments only	LEL		60-5010RK	40.00
Carbon Monoxide	CO	0 - 500 ppm	65-2003RK	175.00
Hydrogen Sulfide	H2S	0 - 100 ppm	65-2033RK	175.00
NP-85				
LEL Hydrocarbon	LEL	0 - 100 % LEL	HW-6255	230.00
% Volume Hydrocarbon		0 - 100 % vol.	TE-7557	275.00
P-200 Series: GP-204 / NP-204 / XP-204				
LEL Sensor / flame arrestor assembly for GP-204, RKK style, CH4	LEL	0 - 100 % LEL	62-0111-01	140.00
LEL filaments only, Methane (GP-204, USA version)	LEL	0 - 100 % LEL	EL-7776	65.00
LEL filaments only, isobutane (standard for Marine use version only)	LEL	0 - 100 % LEL	HW-6246	65.00
LEL Sensor / flame arrestor assembly for NP-204, USA version	LEL	0 - 100 % LEL	62-0107RK	140.00
Oxygen Sensor for XP-204 (OS-B3)	O2	0 - 40 % vol.	65-0601RK	160.00
82 Series: GP-82 / OX-82 / CO-82 / HS-82 / SO-82				
LEL for GP-82	LEL	0 - 100 % LEL	61-0220RK	80.00
LEL filaments only for GP-82			60-5010RK	40.00
Carbon Monoxide for CO-82	CO	0 - 300 ppm	65-2003RK	175.00
Hydrogen Sulfide for HS-82	H2S	0 - 100 ppm	65-2033RK	175.00

Portable Replacement Sensors

Description		Range	Part #	Price
91 Series: CO - 91 / HS-91 / OX-91 / SO-91				
Carbon Monoxide for CO-91	CO	0 - 150 ppm	65-2003RK	175.00
Hydrogen Sulfide for HS-91	H2S	0 - 30 ppm	65-2033RK	175.00
GX-91B				
LEL	LEL	0 - 100 % LEL	61-0220RK	80.00
LEL filaments only			60-5010RK	40.00
Carbon Monoxide	CO	0 - 300 ppm	65-2003RK	175.00
Hydrogen Sulfide	H2S	0 - 100 ppm	65-2033RK	175.00

GP-85N GP-88 GX-85N				
LEL	LEL	0 - 100 % LEL	HW-6257	175.00
Oxygen	O2	0 - 25 %	65-1051RK	140.00
GP-226				
LEL	LEL	0 - 100 % LEL	GE-4641-S2	80.00
GX-4000A GX-111				
LEL (NS-2900-M)	LEL	0 - 100 % LEL	62-0126RK	800.00
Oxygen (OS-B3)	O2	0 - 25 % vol.	65-0601RK	160.00
Carbon Monoxide (ES-81)	CO	0 - 300 ppm	65-2003RK	175.00
Hydrogen Sulfide (ES-87A)	H2S	0 - 100 ppm	65-2033RK	175.00
GX-8000				
LEL	LEL	0 - 100 % LEL	NC-6215	360.00
% Volume Combustibles	HC	0 - 100% vol.	TE-7515	360.00
Oxygen	O2	0 - 40% vol.	65-1058RK	150.00
Carbon Monoxide	CO	0 - 500 ppm	65-2008RK	175.00
Hydrogen Sulfide	H2S	0 - 100 ppm	ES-037i-H2S	280.00
NC-1000				
Combustibles	HC	0 - 1,000/10,000 ppm	NC-6307	360.00
OX-1				
Oxygen (OS-B3)	O2	0 - 25 % vol.	65-0601RK	160.00
OX-07				
Oxygen	O2	0 - 25 % vol.	OS-B01	195.00
RI-415 RX-415				
Methane (IR)	CH4	0 - 100% LEL / vol.	61-5006RK	1,260.00
Hydrocarbons (IR)	HC	0 - 100% LEL / vol.	61-5007RK	1,260.00
Oxygen	O2	0 - 40% vol.	65-0601RK	160.00
RX-515 RX-516 RX-517				
Methane (IR)	CH4	0 - 100% LEL / vol.	61-5006RK	1,260.00
Hydrocarbons (IR)	HC	0 - 100% LEL / vol.	61-5007RK	1,260.00
Oxygen	O2	0 - 40% vol.	65-1058RK	150.00
Carbon Monoxide	CO	0 - 1,000 ppm	ES-031M-CO	225.00
Hydrogen Sulfide	H2S	0 - 100 ppm	ES-037R-H2S	150.00
Hydrogen Sulfide	H2S	0 - 1,000 ppm	ES-037RM-H2S	225.00

Portable Replacement Sensors

Description	Range	Part #	Price
RX-8000			
Oxygen	O2 0 - 40% vol.	65-1058RK	150.00
Methane (IR)	CH4 0 - 100% LEL / vol.	DE-3113-13	1,300.00
Hydrocarbons	HC 0 - 100% LEL / vol.	DE-3123-4	1,300.00
SC-01			
Ammonia	NH3 0 - 75 ppm	ESM-01R-D-NH3	195.00
Arsine	AsH3 0 - 1.50 ppm	ESM-01DH-ASH3	195.00
Carbon Monoxide	CO 0 - 75 ppm	ESM-011-CO	195.00
Chlorine	Cl2 0 - 3 ppm	ESM-K01-D-CL2	195.00
Hydrogen Cyanide	HCN 0 - 15 ppm	ESM-01DH-HCN	195.00
Hydrogen Sulfide	H2S 0 - 30 ppm	ESM-017-H2S	195.00
Phosphine	PH3 0 - 1.0 ppm	ESM-01DH-PH3	195.00
Sulfur Dioxide	SO2 0 - 6 ppm	ESM-01DH-D-SO2	195.00
SC-90			
Arsine	AsH3 0 - 1.00 ppm	ES-23AHS-ASH3	465.00
Bromine	Br2 0 - 1.00 ppm	ES-K233-BR2	465.00
Carbon Monoxide	CO 0 - 300 ppm	ES-23-CO	465.00
Chlorine	Cl2 0 - 3.00 ppm	ES-K233-CL2	465.00
Diborane	B2H6 0 - 30 ppm	ES-23AH-B2H6	465.00
Fluorine	F2 0 - 5.00 ppm	ES-K233-F2	465.00
Hydrogen Chloride	HCl 0 - 15 ppm	ES-K233-HCL	465.00
Hydrogen Fluoride	HF 0 - 9.00 ppm	ES-K233-HF	465.00
Hydrogen Sulfide, 0 - 30 ppm	H2S 0 - 30 ppm	ES-237-H2S	465.00
Hydrogen Sulfide, 0 - 1.0 ppm	H2S 0 - 1.0 ppm	ES-23AH-H2S	465.00
Nitrogen Dioxide	NO2 0 - 15 ppm	ES-23AH-NO2	465.00
Nitric Oxide	NO 0 - 100 ppm	ES-23A-NO	465.00
Ozone, 0 - 1.0 ppm	O3 0 - 1.00 ppm	ES-K239C-O3	465.00
Phosphine	PH3 0 - 1.00 ppm	ES-23AH-PH3	465.00
Sulfur Dioxide	SO2 0 - 30 ppm	ES-23E-SO2	465.00
Silane	SiH4 0 - 15 ppm	ES-23AH-SiH4	465.00

Portable Replacement Sensors

Description	Range	Part #	Price	
SC-8000				
Ammonia	NH3	0 - 75 ppm	ESM-23R-NH3	480.00
Ammonia (high humidity use)	NH3	0 - 75 ppm	ESM-23RH-NH3	480.00
Arsine	AsH3	0 - 0.2 ppm	ESM-23AHS-ASH3	480.00
Carbon Monoxide	CO	0 - 150 ppm	ESM-23-CO	480.00
Chlorine	Cl2	0 - 3 ppm	ESM-K233-CL2	480.00
Chlorine Trifluoride	ClF3	0 - 0.6 ppm	ESM-K233CS-CLFC	480.00
Diborane	B2H6	0 - 0.3 ppm	ESM-23AY-B2H6	480.00
Disilane	SiH6	0 - 15 ppm	ESM-23DH-SI2H6	480.00
Fluorine	F2	0 - 3 ppm	ESM-K233-F2	480.00
Germane	GeH4	0 - 0.8 ppm	ESM-23DH-GEH4	480.00
Hydrogen Bromide	HBr	0 - 9 ppm	ESM-23E-HBR	480.00
Hydrogen Chloride (with H2 response)	HCl	0 - 15 ppm	ESM-23E-HCL	480.00
Hydrogen Chloride	HCl	0 - 15 ppm	ESM-K233-HCL	480.00
Hydrogen Cyanide	HCN	0 - 30 ppm	ESM-23DH-HCN	480.00
Hydrogen Fluoride	HF	0 - 9 ppm	ESM-K233-HF	480.00
Hydrogen Peroxide	H2O2	0 - 0.50 ppm	ESM-23DH-H2O2-1	480.00
Hydrogen Peroxide	H2O2	0 - 3.00 ppm	ESM-23DH-H2O2	480.00
Methyl Silane	CH3SiH3	0 - 20 ppm	ESM-23DH-MS	480.00
Nitrogen Dioxide	NO2	0 - 15 ppm	ESM-23AH-NO2	480.00
Ozone	O3	0 - 1.0 ppm	ESM-K239C-O3	480.00
Phosphine	PH3	0 - 1 ppm	ESM-23AH-PH3	480.00
Silane (with H2 response)	SiH4	0 - 15 ppm	ESM-23DH-SIH4	480.00
Silane	SiH4	0 - 15 ppm	ESM-23AH-SIH4	480.00
Sulfur Dioxide (high)	SO2	0 - 30 ppm	ESM-23E-SO2	480.00
Sulfur Dioxide (low)	SO2	0 - 6 ppm	ESM-238-SO2	480.00
SP-205ASC				
Methane	CH4	0 - 100 % LEL	62-0160A	195.00
Halocarbons	CFC		62-0160ALF	195.00
Phosphine (also detects AsH3, Br2, SiH4, & H2)	PH3		62-0160ASC	195.00
SP-220				
Methane & LPG versions	CH4	-	SH-8661	350.00
Fumigant and SC versions	-	-	SH-8662	425.00
SP-237H				
LEL Combustibles	LEL	0-100% LEL	62-0127RK	275.00
PPM Combustible	PPM	0-50,000 ppm	62-0128RK	275.00
GT / Innova				
Oxygen	O2		65-0612RK	160.00

Calibration Equipment

Cal Kit Cases



20-0110RK-01
Two Cylinder Case
Sizes: 34AL, 34L



20-0121RK
Two Cylinders Case
Sizes: 103L, 58AL, 34AL, 34L



20-0111RK-01
Three Cylinder Case
Sizes: 103L, 58AL, 34AL, 34L






20-0114RK-02
Four Cylinder Case
Sizes: 103L, 58AL, 34AL, 34L



Calibration Equipment

Regulators For 17 / 34 L Steel Cylinders

Regulators are necessary equipment used to accurately deliver calibration gas from a cylinder to an instrument. Each regulator is designed to fit on a specific set of cylinders. Most of the RKI regulators are designed for non refillable cylinders. There are two common fittings these regulators use to connect to the non refillable cylinders. One common fitting is a CGA 600 connection and fits on the 17 (no part number suffix) & 34 (-01 part number suffix) liter steel cylinders. Make sure the regulator you purchase fits the cylinder you have.

These Regulators			
		 Most commonly ordered	
81-1001RK Dispensing Valve No flow control \$28.00	81-1003RK Regulator Model 702 no gauge or knob, 0.5 LPM flow \$100.00	81-1050RK Regulator Model 713 w/ gauge & knob, 0.5 LPM flow \$125.00	81-1055RK Demand Flow Regulator Model 2007 for 17/34 liter steel cylinder \$280.00
CGA 600 inlet, 3/16" hose barb outlet			






Fit These Cylinders	
	
17 Liter Steel Cylinder No p/n suffix	34 Liter Steel Cylinder -01
CGA 600 valve	


Calibration Equipment

Regulators For 34L / 58L / 116L Aluminum & 103L Steel

The second common fitting is the 5/8 x 18 UNF fitting which connects to the 34 & 58 liter aluminum cylinders (-04 & -02 part number suffix) and the 58 & 103 liter steel cylinders (-05 & -03 part number suffix). Make sure the regulator you purchase fits the cylinder you have.

These Regulators		
 <p style="text-align: center;">Most commonly ordered</p>		
81-1054RK Demand Flow Regulator Model 2004 \$280.00	81-1051RK Regulator Model 715 with gauge & knob, 0.5 LPM flow rate \$125.00	81-1004RK Regulator Model 705 with gauge & no knob 0.5 LPM flow rate \$100.00
5/8" x 18 thread inlet, 3/16" hose barb outlet (C-10)		



Fit These Cylinders				
				
58 Liter Steel -05	34 Liter Aluminum -04	103 Liter Steel -03	58 Liter Aluminum -02	116 Liter Aluminum -116
5/8" x 18 thread valve				

Calibration Equipment

Knobs and Gauges

Regulators can be equipped with an on / off knob or a pressure gauge to show how much gas is in the cylinder. Most of the Low Volume (-LV) type cal kits are equipped with regulators that include an on / off knob and a pressure gauge, in order to offer the easiest to use calibration kit.



Cylinders

Cylinder part numbers have a 2 digit suffix which indicate the cylinder size for that particular gas mixture. The 2 digit suffix numbers indicate the following cylinders:

<u>Part # Suffix</u>	<u>Disposable Cylinder Size</u>	<u>Part # Suffix</u>	<u>Refillable Cylinder Size</u>
no suffix =	17 liter steel cylinder (17L)	-R04 =	34 liter aluminum cylinder (34L), refillable
-01 =	34 liter steel cylinder (34L)	-R02 =	58 liter aluminum cylinder (58AL), refillable
-02 =	58 liter aluminum cylinder (58AL)	-R100 =	100 liter aluminum cylinder (100AL), refillable
-H02 =	58 liter aluminum cylinder (58AL, 1000 psi)		
-03 =	103 liter steel cylinder (103L)		
-04 =	34 liter aluminum cylinder (34AL)		
-H04 =	34 liter aluminum cylinder (34AL/44ES, 825 psi)		
-05 =	58 liter steel cylinder (58L)		
-07 =	7 liter aluminum cylinder		
-116 =	116 liter aluminum cylinder (116AL)		

Cylinder SDS Documents

Available Online

www.rkiinstruments.com/sds

Calibration Cylinders

<u>Part#</u>	<u>Description</u>	<u>Suggested Retail</u>
81-0154RK-06	Bump test cylinder, H2S 40 ppm / CO 100 ppm / Methane 50% LEL / O2 12% in N2, 11AL aerosol	55.00
81-0154RK-06-10	Bump test cylinder, H2S 40 ppm / CO 100 ppm / Methane 50% LEL / O2 12% in N2, 11AL aerosol with cal cup for GX-2009	75.00
81-0154RK-06-11	Bump test cylinder, H2S 40 ppm / CO 100 ppm / Methane 50% LEL / O2 12% in N2, 11AL aerosol, with red plastic straw and gas bag for GX-2012.....	75.00
81-0028RK	Cylinder, Acetylene 50% LEL in air, 17L steel.....	45.00
81-9020RK-02	Cylinder, Benzene 100 ppm in air, 58AL	150.00
81-0100RK-04	Cylinder, Benzene 5 ppm in air, 34AL	130.00
81-0100RK-02	Cylinder, Benzene 5 ppm in air, 58AL	150.00
81-0189RK-02	Cylinder, Carbonyl Sulfide (COS) 10 ppm in air, 58AL	160.00
81-0188RK-02	Cylinder, Carbonyl Sulfide (COS) 40 ppm in air, 58AL	220.00
81-9051RK-02	Cylinder, CH2O 5 ppm in air, 58AL	260.00
81-9050RK-02	Cylinder, CH2O 5 ppm in N2, 58AL	260.00
81-0085RK-03	Cylinder, CH4 1,000 ppm air, 103L steel	150.00
81-0085RK-01	Cylinder, CH4 1,000 ppm in air, 34L steel	55.00
81-9023RK-03	Cylinder, CH4 10,000 ppm in air, 103L	150.00
81-9023RK-01	Cylinder, CH4 10,000 ppm in air, 34L steel	55.00
81-0010RK-03	Cylinder, CH4 10% LEL in air, 103L steel	150.00
81-0010RK-01	Cylinder, CH4 10% LEL in air, 34L steel	55.00
81-0011RK-01	Cylinder, CH4 10% vol in N2, 34L steel	55.00
81-0016RK-05	Cylinder, CH4 100% volume 58L steel	150.00
81-0020RK-03	Cylinder, CH4 20% LEL in air, 103L steel	150.00
81-0012RK-23	Cylinder, CH4 25% LEL in air, 103L	150.00
81-0012RK-21	Cylinder, CH4 25% LEL in air, 34L steel	55.00
81-9041RK-01	Cylinder, CH4 30% LEL in air, 34L steel	100.00
81-001235-552	Cylinder, CH4 35% LEL in N2, 552L	380.00
81-0031RK-01	Cylinder, CH4 40% LEL (2% vol) in air, 34L steel	55.00
81-001240-01	Cylinder, CH4 40% LEL in air, 34L steel	55.00
81-0015RK-03	Cylinder, CH4 5% LEL in air, 103L steel	150.00
81-0080RK-03	Cylinder, CH4 50 ppm in air, 103L steel	150.00
81-0012RK-01	Cylinder, CH4 50% LEL in air, 34L steel	55.00
81-0101RK-03	Cylinder, CH4 50% LEL/17% O2 in N2, 103L steel	150.00
81-0012RK-03	Cylinder, CH4 50% LEL/air, 103L steel	150.00
81-0013RK-03	Cylinder, CH4 50% volume in N2, 103L	150.00
81-0013RK-01	Cylinder, CH4 50% volume in N2, 34L steel	55.00
81-0013RK-05	Cylinder, CH4 50% volume in N2, 58L steel	160.00
81-0079RK-03	Cylinder, CH4 500 ppm in air, 103L steel	150.00

Calibration Equipment

Calibration Cylinders

Part#	Description	Suggested Retail
81-0079RK-01	Cylinder, CH4 500 ppm in air, 34L steel	55.00
81-0086RK-01	Cylinder, CH4 5000 ppm in air, 34L steel	55.00
81-9042RK-01	Cylinder, CH4 60% LEL in air, 34L steel	100.00
81-001265-552	Cylinder, CH4 65% LEL in N2, 552L	380.00
81-0191RK-04	Cylinder, Cl2 10 ppm in N2, 34AL	220.00
81-0191RK-02	Cylinder, Cl2 10 ppm in N2, 58AL	340.00
81-0192RK-04	Cylinder, Cl2 2 ppm in N2, 34AL.....	220.00
81-0192RK-02	Cylinder, Cl2 2 ppm in N2, 58AL.....	340.00
81-9049RK-02	Cylinder, Cl2 25 ppm in N2, 58AL	350.00
81-0190RK-04	Cylinder, Cl2 5 ppm in N2, 34AL.....	220.00
81-0190RK-02	Cylinder, Cl2 5 ppm in N2, 58AL.....	340.00
81-0065RK-03	Cylinder, CO 100 ppm in air, 103L steel	150.00
81-0065RK-01	Cylinder, CO 100 ppm in air, 34 liter	55.00
81-0068RK-03	Cylinder, CO 100 ppm in N2, 103L steel.....	150.00
81-0068RK-01	Cylinder, CO 100 ppm in N2, 34L steel	55.00
81-0063RK-03	Cylinder, CO 20 ppm in air, 103L	150.00
81-0063RK-01	Cylinder, CO 20 ppm in air, 34L steel	55.00
81-0066RK-03	Cylinder, CO 200 ppm in air, 103L steel	150.00
81-0066RK-01	Cylinder, CO 200 ppm in air, 34L steel	55.00
81-0069RK-03	Cylinder, CO 200 ppm in N2, 103L steel.....	150.00
81-0069RK-01	Cylinder, CO 200 ppm in N2, 34L steel	55.00
81-0060RK-01	Cylinder, CO 40 ppm in air, 34L steel	55.00
81-0061RK-01	Cylinder, CO 5% volume in N2, 34L steel	55.00
81-0090RK-03	Cylinder, CO 50 ppm / CH4 50% LEL / O2 12 % in N2, 103L steel	150.00
81-0090RK-01	Cylinder, CO 50 ppm / CH4 50% LEL / O2 12 % in N2, 34L steel	55.00
81-9043RK-03	Cylinder, CO 50 ppm / CO2 5000 ppm / O2 12% / CH4 50% LEL in air, 103L	150.00
81-9043RK-01	Cylinder, CO 50 ppm / CO2 5000 ppm / O2 12% / CH4 50% LEL in air, 34L steel.....	55.00
81-0089RK-03	Cylinder, CO 50 ppm / Hexane 15% LEL / O2 12 % in N2, 103L steel	150.00
81-0089RK-01	Cylinder, CO 50 ppm / Hexane 15% LEL / O2 12 % in N2, 34L steel	55.00
81-0064RK-03	Cylinder, CO 50 ppm in air, 103L steel	150.00
81-0064RK-01	Cylinder, CO 50 ppm in air, 34L steel	55.00
81-0064RK-02	Cylinder, CO 50 ppm in air, 58AL	160.00
81-0062RK-03	Cylinder, CO 50 ppm in N2, 103L steel	150.00
81-0062RK-01	Cylinder, CO 50 ppm in N2, 34L steel.....	55.00
81-0096RK-01	Cylinder, CO2 13.8% vol / Butane 8% vol in N2, 34L steel.....	55.00
81-0073RK-03	Cylinder, CO2 15% in N2, 103L steel	150.00
81-0073RK-01	Cylinder, CO2 15% in N2, 34L steel	55.00
81-0072RK-03	Cylinder, CO2 2.5% in N2, 103L steel	150.00
81-0072RK-01	Cylinder, CO2 2.5% in N2, 34L steel	55.00
81-0099RK-01	Cylinder, CO2 20% in N2, 34L steel	55.00
81-0070RK-03	Cylinder, CO2 2000 ppm in N2, 103L steel.....	150.00
81-0070RK-01	Cylinder, CO2 2000 ppm in N2, 34L steel	55.00
81-0025RK-01	Cylinder, CO2 35% / CH4 50% volume balance N2, 34L steel	55.00
81-0098RK-03	Cylinder, CO2 4% in N2 103L	160.00
81-0027-05	Cylinder, CO2 40% / CH4 60% volume in N2, 58L steel.....	130.00
81-0097RK-01	Cylinder, CO2 50% in N2, 34L steel	55.00
81-0071RK-03	Cylinder, CO2 5000 ppm in N2, 103L steel.....	150.00
81-0071RK-01	Cylinder, CO2 5000 ppm in N2, 34L steel	55.00
81-0077RK-01	Cylinder, Compressed air, 34L steel	55.00
81-9033RK-08	Cylinder, Ethane 99% vol, 100AL, partial pressure 300 psi	220.00
81-0029RK	Cylinder, Ethylene 100% vol, 17L steel	45.00
81-0030RK-03	Cylinder, Ethylene 2000 ppm in air, 103L	150.00
81-9062RK-04	Cylinder, Ethylene Oxide 5 ppm in Air, 34AL	270.00
81-9038RK-02	Cylinder, Ethylene Oxide 50 ppm in air, 58AL	180.00
81-0032RK-03	Cylinder, H2 250 ppm in air, 103L	150.00
81-0032RK-01	Cylinder, H2 250 ppm in air, 34L steel	55.00
81-9024RK-01	Cylinder, H2 4% vol in argon, 34L steel	55.00
81-0022RK-01	Cylinder, H2 4% vol in N2, 34L steel	55.00
81-0001-01	Cylinder, H2 40% LEL (1.6% vol) in air, 34L steel	55.00

Calibration Equipment

Calibration Cylinders

Part#	Description	Suggested Retail
81-0002RKA-01	Cylinder, H2 50% LEL/O2 12% in N2, 34L steel	55.00
81-0000RK-71	Cylinder, H2 500 ppm in air, 34L steel	55.00
81-0001RK-60	Cylinder, H2 60% LEL in air, 34L steel.....	55.00
81-0023RK-01	Cylinder, H2 8% volume in N2, 34L steel	120.00
81-0001RK-23	Cylinder, H2, 1.2%(30% LEL) in air, 103L steel	150.00
81-0001RK-21	Cylinder, H2, 1.2%(30% LEL) in air, 34L steel	55.00
81-0001RK-31	Cylinder, H2, 1.3% vol (33 % LEL) in air, 34L steel	55.00
81-0000RK-03	Cylinder, H2, 1000 ppm in air, 103L steel	150.00
81-0000RK-01	Cylinder, H2, 1000 ppm in air, 34L steel.....	55.00
81-0001RK-33	Cylinder, H2, 2% in Helium, 103L steel	550.00
81-0000RK-51	Cylinder, H2, 200 ppm in air, 34L steel	55.00
81-0000RK-23	Cylinder, H2, 2000 ppm in air, 103L steel	150.00
81-0000RK-21	Cylinder, H2, 2000 ppm in air, 34L steel.....	55.00
81-0001RK-01	Cylinder, H2, 25% LEL in air, 34L steel	55.00
81-0000RK-41	Cylinder, H2, 3000 ppm in air, 34L steel.....	55.00
81-0000RK-33	Cylinder, H2, 4000 ppm in air, 103L steel	150.00
81-0000RK-31	Cylinder, H2, 4000 ppm in air, 34L steel.....	55.00
81-0002RK-03	Cylinder, H2, 50% LEL in air, 103L steel	150.00
81-0002RK-01	Cylinder, H2, 50% LEL in air, 34L steel	55.00
81-0000RK-73	Cylinder, H2, 500 ppm in air, 103L steel.....	150.00
81-0000RK-63	Cylinder, H2, 5000 ppm in air, 103L steel	150.00
81-0000RK-61	Cylinder, H2, 5000 ppm in air, 34L steel.....	55.00
81-0147RK-02	Cylinder, H2S 1 ppm in N2, 58AL	230.00
81-0138RK-04	Cylinder, H2S 10 ppm / CO 300 ppm / CH4 1.45 % vol / O2 15% vol in N2, 34AL	150.00
81-9018RK-02	Cylinder, H2S 10 ppm / CO 50 ppm / O2 18% / CH4 50% LEL in N2, 58AL	220.00
81-9012RK-04	Cylinder, H2S 10 ppm / CO 60 ppm / CH4 58% LEL / O2 15% in N2, 34AL	150.00
81-0150RK-04	Cylinder, H2S 10 ppm in N2, 34AL	130.00
81-0150RK-02	Cylinder, H2S 10 ppm in N2, 58AL	150.00
81-0139RK-04	Cylinder, H2S 20 ppm / CO 60 ppm / CH4 1.45% vol / O2 15% in N2, 34AL.....	150.00
81-0141RK-04	Cylinder, H2S 20 ppm / CO 60 ppm / CH4 29% LEL / O2 15% in N2, 34AL	150.00
81-9013RK-01	Cylinder, H2S 20 ppm / CO 60 ppm / CH4 58% LEL / O2 15% in N2, 34AL	150.00
81-0136RK-02	Cylinder, H2S 20 ppm / CO 60 ppm / Pentane 58% LEL / CO2 2.5% / O2 15% in N2, 58AL	300.00
81-0135RK-02	Cylinder, H2S 20 ppm / CO 60 ppm / Pentane 58% LEL / O2 15% in N2, 58AL	280.00
81-0146RK-02	Cylinder, H2S 200 ppm in N2, 58AL	150.00
81-0161RK-02	Cylinder, H2S 25 ppm / CO 100 ppm / CH4 50% LEL (2.5% vol) / O2 18% in N2, 58AL	220.00
81-0162RK-02	Cylinder, H2S 25 ppm / CO 100 ppm / CH4 50% LEL (2.5% vol) / O2 19% in N2, 58AL	220.00
81-0161RK-04	Cylinder, H2S 25 ppm / CO 100 ppm / CH4 50% LEL (2.5% vol)/O2 18% in N2, 34AL	150.00
81-0137RK-02	Cylinder, H2S 25 ppm / CO 100 ppm / CH4 50% LEL / O2 18% in N2, 58AL.....	240.00
81-0162RK-04	Cylinder, H2S 25 ppm / CO 100 ppm / CH4 50% LEL(2.5% vol)/O2 19% in N2, 34AL	160.00
81-0164RK-02	Cylinder, H2S 25 ppm / CO 150 ppm / CH4 50% LEL (2.5% vol) / O2 15% in N2, 58AL	220.00
81-0154RK-116	Cylinder, H2S 25 ppm / CO 50 ppm / CH4 50% LEL / O2 12% in N2, 116AL.....	320.00
81-0154RK-04	Cylinder, H2S 25 ppm / CO 50 ppm / CH4 50% LEL / O2 12% in N2, 34AL	160.00
81-0154RK-02	Cylinder, H2S 25 ppm / CO 50 ppm / CH4 50% LEL / O2 12% in N2, 58AL	190.00
81-0154RK-07	Cylinder, H2S 25 ppm / CO 50 ppm / CH4 50% LEL / O2 12% in N2, 7AL bump, non-hazmat	95.00
81-9002RK-02	Cylinder, H2S 25 ppm / CO 50 ppm / CH4 50% LEL / O2 20.9% in N2, 58AL	250.00
81-9045RK-04	Cylinder, H2S 25 ppm / CO 50 ppm / CO2 2.5% / O2 12% / CH4 50% LEL in air, 34AL	180.00
81-9045RK-02	Cylinder, H2S 25 ppm / CO 50 ppm / CO2 2.5% / O2 12% / CH4 50% LEL in air, 58AL	280.00
81-9044RK-04	Cylinder, H2S 25 ppm / CO 50 ppm / CO2 5000 ppm / O2 12% / CH4 50% LEL in air, 34AL	180.00
81-9044RK-02	Cylinder, H2S 25 ppm / CO 50 ppm / CO2 5000 ppm / O2 12% / CH4 50% LEL in air, 58AL	280.00
81-0155RK-04	Cylinder, H2S 25 ppm / CO 50 ppm / HEX 15% LEL / O2 12% in N2, 34AL	160.00
81-0155RK-02	Cylinder, H2S 25 ppm / CO 50 ppm / HEX 15% LEL / O2 12% in N2, 58AL	220.00
81-0158RK-04	Cylinder, H2S 25 ppm / CO 50 ppm / isobutane 50% LEL / O2 12% in N2, 34AL	160.00
81-0158RK-02	Cylinder, H2S 25 ppm / CO 50 ppm / isobutane 50% LEL / O2 12% in N2, 58AL	220.00
81-9003RK-02	Cylinder, H2S 25 ppm / CO 50 ppm / Pentane 25% LEL (0.35% vol) / O2 15% in N2, 58AL	220.00
81-0156RK-04	Cylinder, H2S 25 ppm / CO 50 ppm / Pentane 32% LEL / O2 14% in N2, 34AL	180.00
81-0156RK-02	Cylinder, H2S 25 ppm / CO 50 ppm / Pentane 32% LEL / O2 14% in N2, 58AL	220.00
81-0156RK-54	Cylinder, H2S 25 ppm / CO 50 ppm / Pentane 50% LEL / O2 12% bal N2, 34AL	160.00
81-0156RK-52	Cylinder, H2S 25 ppm / CO 50 ppm / Pentane 50% LEL / O2 12% in N2, 58AL	230.00
81-0163RK-04	Cylinder, H2S 25 ppm / CO 50 ppm / Propane 50% LEL (1.05% vol) / O2 18% in N2, 34AL.....	180.00

Calibration Equipment

Calibration Cylinders

Part#	Description	Suggested Retail
81-0167RK-04	Cylinder, H2S 25 ppm / CO 50 ppm / Propane 50% LEL / O2 12% in N2, 34AL	180.00
81-0167RK-02	Cylinder, H2S 25 ppm / CO 50 ppm / Propane 50% LEL/O2 12% in N2, 58AL	180.00
81-0151RK-04	Cylinder, H2S 25 ppm in N2, 34AL	130.00
81-0151RK-02	Cylinder, H2S 25 ppm in N2, 58AL	150.00
81-0149RK-04	Cylinder, H2S 5 ppm in N2, 34AL	130.00
81-0149RK-02	Cylinder, H2S 5 ppm in N2, 58AL	150.00
81-0153RK-02	Cylinder, H2S 50 ppm in AIR, 58AL	150.00
81-0152RK-02	Cylinder, H2S 50 ppm in N2, 58AL	150.00
81-0140RK-04	Cylinder, H2S 50 ppm/50% LEL isobutane in N2, 34AL	150.00
81-0140RK-02	Cylinder, H2S 50 ppm/50% LEL isobutane in N2, 58AL	220.00
81-0145RK-16	Cylinder, H2S 500 ppm in N2, 116AL	300.00
81-0145RK-02	Cylinder, H2S 500 ppm in N2, 58AL	150.00
81-9027RK-02	Cylinder, H2S, 20 ppm / 50% LEL Propane in N2, 58AL	220.00
81-0194RK-02	Cylinder, HCl 10 ppm in N2, 58AL	300.00
81-0195RK-04	Cylinder, HCl 5 ppm in N2, 34AL	280.00
81-0195RK-02	Cylinder, HCl 5 ppm in N2, 58AL	300.00
81-0196RK-04	Cylinder, HCN 10 ppm in N2, 34AL	280.00
81-0196RK-02	Cylinder, HCN 10 ppm in N2, 58AL	300.00
81-9047RK-02	Cylinder, HCN 5 ppm in N2, 58AL	350.00
81-9030RK-02	Cylinder, Hexafluorobutadiene 2 ppm in air, 58AL	150.00
81-0007RK-03	Cylinder, Hexane 10% LEL (0.11%) in air, 103L steel	150.00
81-0007RK-01	Cylinder, Hexane 15% LEL/air, 34L steel	55.00
81-0009RK	Cylinder, Hexane 40% LEL in air, 17L steel	45.00
81-0083RK-03	Cylinder, Hexane 400 ppm in air, 103L steel	150.00
81-0083RK-04	Cylinder, Hexane 400 ppm in air, 34AL	150.00
81-0024RK-01	Cylinder, Hydrogen 100%, 34L steel	55.00
81-0024RK-05	Cylinder, Hydrogen 100%, 58L	140.00
81-0035RK-03	Cylinder, IPA 1000 ppm in air, 103L	150.00
81-0014RK	Cylinder, IPA, 10% LEL in air, 17L steel size (8 liters gas) 120 psi	55.00
81-0035RK-01	Cylinder, IPA, 1000 ppm in air, 34L steel	55.00
81-0019RK	Cylinder, isobutane 10% volume in N2, 17L steel	45.00
81-0038RK-03	Cylinder, isoButane 1800 ppm in air, 103L	150.00
81-0038RK-01	Cylinder, isoButane 1800 ppm in air, 34L steel	55.00
81-0021RK-01	Cylinder, isobutane 20% LEL in air, 34L steel	55.00
81-0039RK-03	Cylinder, isobutane 25% LEL in air, 103L	150.00
81-0026RK-03	Cylinder, isobutane 250 ppm in air, 103L steel	150.00
81-0026RK-01	Cylinder, isobutane 250 ppm in air, 34L steel	55.00
81-9022RK-03	Cylinder, isoButane 4000 ppm in air, 103L	150.00
81-0105RK-03	Cylinder, isobutane 50 ppm in air, 103L steel	150.00
81-0105RK-01	Cylinder, isobutane 50 ppm in air, 34L steel	55.00
81-0018RK-03	Cylinder, isobutane 50% LEL in air, 103L steel	150.00
81-0018RK-01	Cylinder, isobutane 50% LEL in air, 34L steel	55.00
81-0017RK-01	Cylinder, isobutane 500 ppm in air, 34L steel	55.00
81-9036RK-01	Cylinder, isobutane 5000 ppm in air, 34L steel	55.00
81-0104RK-03	Cylinder, isobutylene 10 ppm in air, 103L steel	150.00
81-0104RK-04	Cylinder, isobutylene 10 ppm in air, 34AL (aluminum cylinder)	150.00
81-0104RK-01	Cylinder, isobutylene 10 ppm in air, 34L steel	55.00
81-0144RK-03	Cylinder, isoButylene 100 ppm / CO 50 ppm / CH4 50% LEL / O2 12% in N2, 103L	180.00
81-0144RK-04	Cylinder, isoButylene 100 ppm / CO 50 ppm / CH4 50% LEL / O2 12% in N2, 34AL	160.00
81-0144RK-02	Cylinder, isoButylene 100 ppm / CO 50 ppm / CH4 50% LEL / O2 12% in N2, 58AL	220.00
81-0143RK-04	Cylinder, isobutylene 100 ppm / H2S 25 ppm / CO 50 ppm / CH4 50% LEL / O2 12% in N2, 34AL	230.00
81-0143RK-02	Cylinder, isobutylene 100 ppm / H2S 25 ppm / CO 50 ppm / CH4 50% LEL / O2 12% in N2, 58AL	340.00
81-0103RK-03	Cylinder, isobutylene 100 ppm in air, 103L steel	150.00
81-0103RK-04	Cylinder, isobutylene 100 ppm in air, 34AL (aluminum cylinder)	150.00
81-0103RK-01	Cylinder, isobutylene 100 ppm in air, 34L steel (steel cylinder)	55.00
81-0078RK-03	Cylinder, N2 100%, 103L steel	150.00
81-0078RK-01	Cylinder, N2 100%, 34L steel	55.00
81-0183RK-03	Cylinder, N2O 250 ppm in air, 103L steel	150.00
81-0183RK-01	Cylinder, N2O 250 ppm in air, 34L steel	85.00

Calibration Equipment

Calibration Cylinders

<u>Part#</u>	<u>Description</u>	<u>Suggested Retail</u>
81-9006RK-03	Cylinder, N2O 250 ppm in N2, 103L steel	150.00
81-0094RK	Cylinder, nbutane 50% LEL / O2 12% / N2, 17L steel	45.00
81-0006RK-01	Cylinder, nButane 9000 ppm/air, 34L steel	55.00
81-9021RK-116	Cylinder, NF3 10 ppm in N2, 116AL	675.00
81-0177RK-116	Cylinder, NF3 25 ppm in N2, 116AL	675.00
81-0175RK-04	Cylinder, NH3 10 ppm in N2, 34AL.....	280.00
81-0175RK-02	Cylinder, NH3 10 ppm in N2, 58AL.....	300.00
81-9066RK-02	Cylinder, NH3 100 ppm in air, 58AL	350.00
81-9029RK-02	Cylinder, NH3 100 ppm in N2, 58AL	350.00
81-0176RK-04	Cylinder, NH3 25 ppm in N2, 34AL.....	280.00
81-0176RK-02	Cylinder, NH3 25 ppm in N2, 58AL.....	300.00
81-9007RK-04	Cylinder, NH3 50 ppm in air, 34AL	280.00
81-9007RK-02	Cylinder, NH3 50 ppm in air, 58AL	400.00
81-0174RK-02	Cylinder, NH3 50 ppm in N2, 58AL.....	300.00
81-0181RK-04	Cylinder, NO 25 ppm in N2, 34AL	260.00
81-0181RK-02	Cylinder, NO 25 ppm in N2, 58AL	300.00
81-9019RK-02	Cylinder, NO 50 ppm in N2, 58AL	400.00
81-0168RK-04	Cylinder, NO2 10 ppm / CO 50 ppm / O2 12% / CH4 2.5% in N2, 34AL (7 month shelf life)	220.00
81-0168RK-02	Cylinder, NO2 10 ppm / CO 50 ppm / O2 12% / CH4 2.5% in N2, 58AL (7 month shelf life)	295.00
81-0180RK-04	Cylinder, NO2 10 ppm in air, 34AL	260.00
81-0180RK-02	Cylinder, NO2 10 ppm in air, 58AL	300.00
81-0182RK-04	Cylinder, NO2 5 ppm in air, 34AL	260.00
81-0182RK-02	Cylinder, NO2 5 ppm in air, 58AL	300.00
81-9034RK-03	Cylinder, O2 0.4% in N2, 103L steel	150.00
81-0050RK-03	Cylinder, O2 10 ppm in N2, 103L	150.00
81-0075RK-03	Cylinder, O2 10% in N2, 103L steel	150.00
81-0074RK-03	Cylinder, O2 2% in N2, 103L steel	150.00
81-0095RK-02	Cylinder, O2 25% Vol in N2, 58AL	160.00
81-9046RK-01	Cylinder, O2 5% in N2, 34L steel.....	55.00
81-9048RK-02	Cylinder, O2 99.99%, 58AL	150.00
81-0075RK-01	Cylinder, O2, 10% in N2, 34L steel	55.00
81-0088RK-03	Cylinder, Pentane 1000 ppm in air, 103L steel	150.00
81-0091RK	Cylinder, Pentane 25% LEL / CO 100 ppm / O2 19% in N2, 17L steel	45.00
81-0093RK-03	Cylinder, Pentane 25% LEL / CO 50 ppm / O2 12% in N2, 103L steel	150.00
81-0093RK	Cylinder, Pentane 25% LEL / CO 50 ppm / O2 12% in N2, 17L steel	45.00
81-0096RK-03	Cylinder, Pentane 50% LEL in air, 103L	150.00
81-0187RK-02	Cylinder, PH3 0.1 ppm in N2, 58AL	350.00
81-0185RK-04	Cylinder, PH3 0.5 ppm in N2, 34AL	260.00
81-0185RK-02	Cylinder, PH3 0.5 ppm in N2, 58AL	300.00
81-9001RK-04	Cylinder, PH3 1 ppm in N2, 34AL	300.00
81-0186RK-02	Cylinder, PH3 5 ppm in N2, 58AL.....	280.00
81-0003RK-13	Cylinder, Propane 10% LEL in air, 103L steel	150.00
81-0005RK-01	Cylinder, Propane 1000 ppm in air, 34L steel	55.00
81-0003RK-03	Cylinder, Propane 25% LEL in air, 103L steel	150.00
81-0003RK-01	Cylinder, Propane 25% LEL in air, 34L steel	55.00
81-0003RK-33	Cylinder, Propane 30% LEL in air, 103L steel	150.00
81-0092RK-03	Cylinder, Propane 50 % LEL / CO 50 ppm / O2 12% in N2, 103L steel	150.00
81-0004RK-01	Cylinder, Propane 50% LEL in air, 34L steel	55.00
81-0004RK-03	Cylinder, Propane 50% LEL/air, 103L steel.....	150.00
81-9028RK-03	Cylinder, Propane 50% vol in N2, 103L	150.00
81-9025RK-03	Cylinder, Propane, 50% LEL in N2, 103L.....	150.00
81-0082RK-03	Cylinder, R-12 (Freon-12), 2000 ppm in air, 103L steel	150.00
81-0082RK-01	Cylinder, R-12 (Freon-12), 2000 ppm in air, 34L steel	150.00
81-9017RK-03	Cylinder, R-123 50 ppm in air, 103L	150.00
81-0084RK-01	Cylinder, R-134A (Freon 134A), 2, 000 ppm in air, 34L steel	150.00
81-0084RK-03	Cylinder, R-134A 2000 ppm in air, 103L.....	150.00
81-0081RK-01	Cylinder, R-22 (Freon 22), 2000 ppm in air, 34L steel	150.00
81-9037RK-02	Cylinder, SiH4 10 ppm in N2, 58AL	360.00
81-0166RK-04	Cylinder, SiH4 30 ppm in N2, 34AL	260.00

Calibration Equipment

Calibration Cylinders

Part#	Description	Suggested Retail
81-0165RK-02	Cylinder, SiH4 5 ppm in N2, 58AL	280.00
81-9026RK-02	Cylinder, SO2 10 ppm in N2, 58AL	150.00
81-9035RK-116	Cylinder, SO2 200 ppm / CO2 10% vol in N2, 116AL	320.00
81-9035RK-02	Cylinder, SO2 200 ppm / CO2 10% vol in N2, 58AL	220.00
81-9039RK-116	Cylinder, SO2 200 ppm / CO2 20% vol in N2, 116AL	320.00
81-9039RK-02	Cylinder, SO2 200 ppm / CO2 20% vol in N2, 58AL	220.00
81-0142RK-04	Cylinder, SO2 5 ppm / H2S 25 ppm / CO 50 ppm / CH4 50% LEL / O2 12% in N2, 34AL	200.00
81-0142RK-02	Cylinder, SO2 5 ppm / H2S 25 ppm / CO 50 ppm / CH4 50% LEL / O2 12% in N2, 58AL	280.00
81-0170RK-04	Cylinder, SO2 5 ppm in N2, 34AL	140.00
81-0170RK-02	Cylinder, SO2 5 ppm in N2, 58AL	160.00
81-0102RK-04	Cylinder, Toluene 400 ppm in air, 34AL	150.00
81-0076RK-03	Cylinder, Zero air, 103L steel	150.00
81-0076RK-01	Cylinder, Zero air, 34L steel	55.00

Calibration Hardware

Part#	Description	Suggested Retail
06-1248RK	Tubing, polyurethane, 3/16" ID x 5/16" OD, per foot	2.00
06-1248RK-03	Calibration kit tubing, polyurethane, 3/16" ID x 5/16" OD, 3 feet	4.50
06-1283RK	Tubing, teflon/polyurethane, 1/4" OD x 1/8" ID, 3', for toxic gas cal kits	30.00
07-7014RK-10	O-ring,.489 ID X .070,viton (for AL regulators)	1.00
20-0110RK-01	Case for 1-3 cylinders,17/34L/34AL, with foam.....	120.00
20-0111RK-01	Case for 3 cylinders with foam, 58AL/103L	180.00
20-0114RK-02	Case with foam for cal kit with 4 cylinders	250.00
20-0121RK	Case for 2 Cylinders, 58AL/103L.....	64.00
31-0003RK	Flowmeter .2 - 2 SCFH, Dwyer	60.00
33-2001RK-01	Humidifier, 6" tube assembly for cal kits with 3/16" tubing on ends	130.00
33-2002RK-01	Humidifier, 24" for cal kits, with 3/16" tubing on ends, for EAGLE	340.00
81-1001RK	Dispensing valve, 17/34L, CGA 600 fitting	34.00
81-1050RK	Regulator, with gauge & knob, 17/34L, 0.5 LPM, CGA 600 fitting.....	125.00
81-1050RK-15	Regulator, with gauge & knob, 17/34L, 1.5 LPM	125.00
81-1050RK-25	Regulator, with gauge & knob, 17/34L, 0.25 LPM	125.00
81-1051RK	Regulator, with gauge & knob, 34AL/58AL/103L steel, 0.5 LPM, C-10 fitting	125.00
81-1051RK-10	Regulator, with gauge & knob, 34AL/58AL/103L/116L steel, 1.0 LPM, C-10 fitting	125.00
81-1051RK-15	Regulator, with gauge & knob, 34AL/58AL/103L/116L steel, 1.5 LPM, C-10 fitting	125.00
81-1051RK-25	Regulator, with gauge and knob, 34AL/58AL/103L steel, 0.25 LPM, C-10 fitting	125.00
81-1051RK-30	Regulator, with gauge and knob, 34AL/58AL/103L/116L steel, 3.0 LPM, C-10 fitting	125.00
81-1051RK-60	Regulator, with gauge & knob, 34AL/58AL/103L/116L steel, 6.0 LPM, C-10 fitting	125.00
81-1054RK	Regulator, demand flow for 34AL/58AL/103L/116L cylinders	280.00
81-1054RK-CGA33	Regulator, demand flow, with CGA330	400.00
81-1054RK-CGA35	Regulator, demand flow, with CGA350	400.00
81-1054RK-CGA59	Regulator, demand flow, with CGA590	400.00
81-1055RK	Regulator, demand flow for 17L/34L steel steel cylinders	280.00
81-1062RK	Regulator, push-button with gauge & knob for 34AL/58/103L cylinders, 0.5LPM	125.00
81-1070RK	Recycling tool, releases all pressure from 34AL/58AL/103L steel cylinders.....	125.00
81-1071RK	Recycling tool, releases all pressure from 17L/34L steel cylinders	125.00
81-1103RK	Cal cup for IR 3/4" NPT sensor	15.00
81-1104RK	Calibration adapter for -01 series & GasWatch 2	22.00
81-1107RK	Cal cap for GX-2001 and GX-2009	17.00
81-1109RK	Cal cup for 82 single gas series, GX-82/86/91B (Not for GX-82A or GX-86A)	50.00
81-1112RK	Cal cup, LEL, Screw on,w/fitings, for 1/2 NPT sensor	74.00
81-1112RK-01	Cal cup with diffuser holes, for 1/2 NPT sensor.....	50.00
81-1113RK	Cal cup, PS-2, with Screws	5.00
81-1114RK	Cal cup, diffusion, super toxic, GD-K8A, (rim feed)	26.00
81-1116RK	Cal cup/splash guard assembly, for CT7 sensor housing	60.00
81-1117RK	Cal cup, standard, fixed systems, for conduit mounting, LEL/O2/H2S/CO, (NPT type)	50.00
81-1120RK	Cal cup for GD-A8 and GD-A8V,w/fitting	110.00
81-1122RK	Cal cup for RKI potted 1/2 NPT sensor	20.00

Calibration Equipment

Calibration Hardware

Part#	Description	Suggested Retail
81-1122RK-01	Cal cup w/diffuser holes, for RKI potted 1/2 NPT	45.00
81-1123RK	Cal cup, diffusion EAGLE	34.00
81-1126RK	Gas bag with fitting & hose barb, 9" x 12" tedlar, 3 liters	30.00
81-1127RK	Gas bag with fitting & hose barb, 12x12, tedlar, 5 liters	33.00
81-1128RK	Gas bag with fitting & hose barb, 15 x 15, tedlar, 10 liters	48.00
81-1131RK	Gas bag, Green, LEL range, for RI/RX-415	45.00
81-1132RK	Gas bag, Orange, Volume range, for RI/RX-415	45.00
81-1138RK	Cal cup for ESM-01 diffusion sensors, fixed systems (not for Cl2 or NH3)	76.00
81-1138RK-CL2	Cal cup for ESM-01 diffusion chlorine sensors, fixed systems	76.00
81-1138RK-NH3	Cal cup for ESM-01 diffusion ammonia sensors, fixed systems	76.00
81-1139RK	Cal cup for general SC-01 use, (NOT for CL2 or NH3)	100.00
81-1139RK-CL2	Cal cup for chlorine (Cl2) SC-01	105.00
81-1139RK-NH3	Cal cup for ammonia (NH3) SC-01	105.00
81-1146	Calibration adapter for 03 and 04 series	30.00
81-1183	Cal cup with 3 ft 1/8" ID x 1/4" OD teflon tubing for T2A/T3A/VOC Pro/AirLink 6900 type detectors	175.00
81-1185	Cal cup with 3 ft 1/8" ID x 1/4" OD teflon tubing, for non explosion proof Air Alert and AirLink Alert type detectors	45.00
81-1500RK	Cylinder holder for 58 liter aluminum cylinders	20.00
81-1501RK	Cylinder holder for 103 liter steel cylinders and 116 liter aluminum cylinders	20.00
81-1502RK	Cylinder holder for 17/34 liter steel cylinders, and for 34 liter aluminum cylinders	20.00
82-0006RK	Screwdriver, pot adjust, no logo	14.00

Portable Calibration Kits

Instrument Part #	Cal Kit #	Cal Kit Description	Kit Price
01 Series			
72-0033RK-01	81-GP01	Cal kit, GP-01, 103L steel cyl 50% LEL CH4/Air, reg with gauge & knob, cal cup, case & tubing	365.00
	81-GP01-H2LV	Cal kit, GP-01, 34L cyl 50% LEL H2/Air, reg with gauge & knob, cal cup, case & tubing	325.00
	81-GP01-HLV	Cal kit, GP-01, 34L cyl 15% LEL Hexane/Air, reg with gauge & knob, cal cup, case & tubing	325.00
	81-GP01-LV	Cal kit, GP-01, 34L cyl 50% LEL CH4/Air, reg with gauge & knob, cal cup, case & tubing	325.00
72-0033RK-03	81-GP01-H2LV	Cal kit, GP-01, 34L cyl 50% LEL H2/Air, reg with gauge & knob, cal cup, case & tubing	325.00
	81-GP01-HLV	Cal kit, GP-01, 34L cyl 15% LEL Hexane/Air, reg with gauge & knob, cal cup, case & tubing	325.00
	81-GP01-LV	Cal kit, GP-01, 34L cyl 50% LEL CH4/Air, reg with gauge & knob, cal cup, case & tubing	325.00
72-0033RK 72-0034RK	81-GP01-H2LV	Cal kit, GP-01, 34L cyl 50% LEL H2/Air, reg with gauge & knob, cal cup, case & tubing	325.00
	81-GP01-HLV	Cal kit, GP-01, 34L cyl 15% LEL Hexane/Air, reg with gauge & knob, cal cup, case & tubing	325.00
	81-GP01-LV	Cal kit, GP-01, 34L cyl 50% LEL CH4/Air, reg with gauge & knob, cal cup, case & tubing	325.00
72-0034RK-01	81-GP01-H2LV	Cal kit, GP-01, 34L cyl 50% LEL H2/Air, reg with gauge & knob, cal cup, case & tubing	325.00
	81-GP01-HLV	Cal kit, GP-01, 34L cyl 15% LEL Hexane/Air, reg with gauge & knob, cal cup, case & tubing	325.00
	81-GP01-LV	Cal kit, GP-01, 34L cyl 50% LEL CH4/Air, reg with gauge & knob, cal cup, case & tubing	325.00
72-0034RK-03	81-GP01-H2LV	Cal kit, GP-01, 34L cyl 50% LEL H2/Air, reg with gauge & knob, cal cup, case & tubing	325.00
	81-GP01-HLV	Cal kit, GP-01, 34L cyl 15% LEL Hexane/Air, reg with gauge & knob, cal cup, case & tubing	325.00
	81-GP01-LV	Cal kit, GP-01, 34L cyl 50% LEL CH4/Air, reg with gauge & knob, cal cup, case & tubing	325.00
72-0034RK-04	81-GP01-H2LV	Cal kit, GP-01, 34L cyl 50% LEL H2/Air, reg with gauge & knob, cal cup, case & tubing	325.00
	81-GP01-HLV	Cal kit, GP-01, 34L cyl 15% LEL Hexane/Air, reg with gauge & knob, cal cup, case & tubing	325.00
	81-GP01-LV	Cal kit, GP-01, 34L cyl 50% LEL CH4/Air, reg with gauge & knob, cal cup, case & tubing	325.00
72-0034RK-05	81-GP01-H2LV	Cal kit, GP-01, 34L cyl 50% LEL H2/Air, reg with gauge & knob, cal cup, case & tubing	325.00
	81-GP01-HLV	Cal kit, GP-01, 34L cyl 15% LEL Hexane/Air, reg with gauge & knob, cal cup, case & tubing	325.00
	81-GP01-LV	Cal kit, GP-01, 34L cyl 50% LEL CH4/Air, reg with gauge & knob, cal cup, case & tubing	325.00
72-0008RK	81-OX01-LV	Cal kit, OX-01, 34L cyl 100% N2, reg with gauge and knob, cal cup, case & tubing	325.00
72-0008RK-01	81-OX01-LV	Cal kit, OX-01, 34L cyl 100% N2, reg with gauge and knob, cal cup, case & tubing	325.00
72-0008RK-03	81-OX01-LV	Cal kit, OX-01, 34L cyl 100% N2, reg with gauge and knob, cal cup, case & tubing	325.00

Portable Calibration Kits

Instrument Part #	Cal Kit #	Cal Kit Description	Kit Price
01 Series			
73-0044RK-01	81-CO01-LV	Cal kit, CO-01, 34L cyl 50 ppm CO/N2, reg with gauge & knob, cal cup, case & tubing	325.00
73-0044RK-03	81-CO01-LV	Cal kit, CO-01, 34L cyl 50 ppm CO/N2, reg with gauge & knob, cal cup, case & tubing	325.00
73-0046Rk	81-HS01-LV	Cal kit, HS-01, 34AL cyl 25 ppm H2S/N2, reg with gauge & knob, cal cup, case & tubing	400.00
03 Series			
72-0037	81-GP03	Cal kit, GP-03, 103L steel cyl 50% LEL CH4/Air, regulator, cal cup, case & tubing	370.00
	81-GP03-HLV	Cal kit, GP-03, 34L cyl 15% LEL Hexane/Air, regulator, cal cup, case & tubing	330.00
	81-GP03-LV	Cal kit, GP-03, 34L cyl 50% LEL CH4/Air, regulator, cal cup, case & tubing	330.00
	81-GP03H2-LV	Cal kit, GP-03, 34L cyl 50% LEL Hydrogen/Air, regulator, cal cup, case & tubing	330.00
	81-GP03IB-LV	Cal kit, GP-03, 34L cyl 50% LEL Isobutane/Air, regulator, cal cup, case & tubing	330.00
72-0038	81-GP03	Cal kit, GP-03, 103L steel cyl 50% LEL CH4/Air, regulator, cal cup, case & tubing	370.00
	81-GP03-HLV	Cal kit, GP-03, 34L cyl 15% LEL Hexane/Air, regulator, cal cup, case & tubing	330.00
	81-GP03-LV	Cal kit, GP-03, 34L cyl 50% LEL CH4/Air, regulator, cal cup, case & tubing	330.00
	81-GP03H2-LV	Cal kit, GP-03, 34L cyl 50% LEL Hydrogen/Air, regulator, cal cup, case & tubing	330.00
	81-GP03IB-LV	Cal kit, GP-03, 34L cyl 50% LEL Isobutane/Air, regulator, cal cup, case & tubing	330.00
72-0010	81-OX03	Cal kit, OX-03, 103L steel cyl 100% N2, regulator, cal cup, case & tubing	370.00
	81-OX03-LV	Cal kit, OX-03, 34L cyl 100% N2, regulator, cal cup, case & tubing	330.00
73-0060	81-CO03	Cal kit, CO-03, CO 50 ppm in air 103L steel cyl, regulator, cal cup, case & tubing	370.00
	81-CO03-LV	Cal kit, CO-03, CO 50 ppm in air 34L steel cyl, regulator, cal cup, case & tubing	330.00
73-0062	81-HS03	Cal kit, HS-03, 58AL cyl 25 ppm H2S/N2, regulator, cal cup, case & tubing	370.00
	81-HS03-LV	Cal kit, HS-03, 34AL cyl 25 ppm H2S/N2, regulator, cal cup, case & tubing	405.00
	81-HS03NG-LV	Cal kit, HS-03, no gas, fits two 34AL cylinders, regulator, cal cup, case & tubing	275.00
04 Series			
73-0067	81-CO04C-LV	Cal kit, CO-04C, 34L cyl CO 50 ppm in N2, 34L cyl H2 200 ppm in air, regulator, cal cup, case & tubing	385.00
73-0069	81-CX04-LV	Cal kit, CX-04, 34L cyl CO 50 ppm in N2, regulator, cal cup, case & tubing	310.00
73-0071	81-SC04HCN-LV	Cal kit, SC-04, 34AL cyl HCN 10 ppm in N2, regulator, cal cup, case & tubing	585.00
73-0073	81-SC04NO2-LV	Cal kit, SC-04, 34AL cyl NO2 10 ppm in N2, regulator, cal cup, case & tubing	565.00
73-0077	81-SC04NH3-LV	Cal kit, SC-04, 34AL cyl NH3 25 ppm in N2, regulator, cal cup, case & tubing	585.00
73-0079	81-SC04PH3-LV	Cal kit, SC-04, 34AL cyl PH3 0.5 ppm in N2, regulator, cal cup, case & tubing	565.00
73-0082	81-SC04SO2-LV	Cal kit, SC-04, 34AL cyl SO2 5 ppm in N2, regulator, cal cup, case & tubing	415.00
73-0063	81-HS04-LV	Cal kit, HS-04, 34AL cyl H2S 25 ppm in N2, regulator, cal cup, case & tubing	495.00
73-0065	81-CO04-LV	Cal kit, CO-04, 34AL cyl CO 50 ppm in N2, regulator, cal cup, case & tubing	330.00
73-0075	81-SC04CL2-LV	Cal kit, SC-04, 34AL cyl CL2 5 ppm in N2, regulator, cal cup, case & tubing	525.00
73-0081	81-OX04-LV	Cal kit, OX-04, 34AL cyl N2 100%, regulator, cal cup, case & tubing	330.00

Portable Calibration Kits

Instrument Part #	Cal Kit #	Cal Kit Description	Kit Price
EAGLE			
72-5101RK	81-5101RK	Cal kit, EAGLE/EAGLE 2, 103L steel cyl 50% LEL Methane/Air, dem flow reg, case & tubing	495.00
	81-5101RK-20	Cal kit, EAGLE/EAGLE 2, 103L steel cyl 20% LEL Methane/Air, dem flow reg, case & tubing	495.00
	81-5101RK-DLV	Cal kit, EAGLE/EAGLE 2, 34L cyl 50% LEL Methane/Air, dem flow reg, case & tubing	455.00
	81-5101RK-H2	Cal kit, EAGLE, 103L steel cyl 50% LEL Hydrogen/Air, dem flow reg, case & tubing	495.00
	81-5101RK-H2B	Cal kit, EAGLE, 103L steel cyl 50% LEL Hydrogen/Air, reg, gas bag, case & tubing	370.00
	81-5101RK-H2DLV	Cal kit, EAGLE, 34L cyl 50% LEL Hydrogen/Air, dem reg, case & tubing	455.00
	81-5101RK-H2LV	Cal kit, EAGLE, 34L cyl 50% LEL Hydrogen/Air, disp valve, gas bag, case & tubing	240.00
	81-5101RK-HDLV	Cal kit, EAGLE, 34L cyl 15% LEL Hexane/Air, dem reg, case & tubing	455.00
	81-5101RK-HLV	Cal kit, EAGLE, 34L cyl 15% LEL Hexane/Air, disp valve, gas bag, case & tubing	240.00
	81-5101RK-ISO	Cal kit, EAGLE, 103L steel cyl 50% LEL Isobutane/Air, dem flow reg, case & tubing	495.00
	81-5101RK-LV	Cal kit, EAGLE, 34L cyl 50% LEL Methane/Air, disp valve, sample bag, case & tubing	240.00
	81-5101RKH2LV10	Cal kit, EAGLE, 34L cyl 4000 ppm H2 in air, reg with gauge & knob, gas bag, screwdriver, case & tubing	240.00
	81-5101RKIB-DLV	Cal kit, EAGLE, 34L steel isobutane 50% LEL in air, demand flow regulator, case & tubing	455.00
	81-5101RKP	Cal kit, EAGLE, 103L steel cyl 50% LEL Propane/Air, dem flow reg, case & tubing	495.00
	81-5101RKP25	Cal kit, EAGLE, 34L cyl 25% LEL Propane in air, demand flow regulator, case & tubing	495.00
72-5102RK	81-5102RK-DLV	Cal kit, EAGLE/EAGLE 2, 34L cyl 100% Nitrogen, dem flow reg, case & tubing	455.00
	81-5102RK-LV	Cal kit, EAGLE, 34L cyl 100% N2, disp valve, gas bag, case & tubing	240.00
	81-5102RKNG-LV	Cal kit, EAGLE, with no gas, disp valve, gas bag, case & tubing	185.00
72-5103RK	81-5103RK-DLV	Cal kit, EAGLE, 34AL cyl 25 ppm Hydrogen Sulfide/N2, dem flow reg, case & tubing	545.00
	81-5103RK1000	Cal kit, EAGLE, 58AL cyl 50 ppm Hydrogen Sulfide/N2, reg, gas bag, case & tubing	370.00
72-5104RK	81-5104RK-LV	Cal kit, EAGLE, 34L cyl 50 ppm Carbon Monoxide/Air, disp valve, gas bag, case & tubing	240.00
72-5105RK	81-5105RK-LV	Cal kit, EAGLE, 34AL cyl 5 ppm SO2/N2, reg, gas bag, screwdriver, case & tubing	430.00
72-5106RK	81-5106RK	Cal kit, EAGLE, 58AL cyl 2 ppm Chlorine/N2, dem flow reg, screwdriver, case & tubing	725.00
	81-5106RK-DLV	Cal kit, EAGLE, 34AL cyl 2 ppm Chlorine/N2, dem reg, screwdriver, case & tubing	660.00
	81-5106RK-LV	Cal kit, EAGLE, 34AL cyl 2 ppm Chlorine/N2, reg, gas bag, screwdriver, case & tubing	535.00
72-5107RK	81-5107RKS-LV	Cal kit, EAGLE, 34AL cyl PH3/N2, 34L cyl N2 100%, reg, gas bag, screwdriver, case & tubing	760.00
72-5108RK	81-5108RK	Cal kit, EAGLE, 58AL cyl 0.5 ppm Phosphine/N2, dem flow reg, screwdriver, case & tubing	685.00
	81-5108RK-DLV	Cal kit, EAGLE, 34AL cyl 0.5 ppm Phosphine/N2, dem reg, screwdriver, case & tubing	690.00

Portable Calibration Kits

Instrument Part #	Cal Kit #	Cal Kit Description	Kit Price
EAGLE			
72-5110RK	81-5110RK	Cal kit, EAGLE, 58AL cyl 5 ppm Hydrogen Chloride/N2, reg, gas bag,screwdriver, case & tubing	560.00
	81-5110RK-LV	Cal kit, EAGLE, 34AL cyl 5 ppm Hydrogen Chloride in N2, reg, gas bag, screwdriver, case & tubing	595.00
72-0316-MSHA-C	81-GX09CONO2	Cal kit, GX-2009 MSHA, 58AL cyl Methane/NO2/CO/O2, reg with gauge & knob, cal cap, case & tubing	530.00
	81-GX09CONO2-LV	Cal kit, GX-2009 MSHA, 34AL cyl Methane/NO2/CO/O2, reg with gauge & knob, cal cap, case & tubing	510.00
72-5111RK	81-5111RK	Cal kit, EAGLE, 58AL cyl 10 ppm Ammonia/N2, dem flow reg, screwdriver, case & tubing	685.00
	81-5111RK-DLV	Cal kit, EAGLE, 34AL cyl 10 ppm Ammonia/N2, dem reg, screwdriver, case & tubing	720.00
	81-5111RK01-DLV	Cal kit, EAGLE, 34AL cyl 25 ppm Ammonia/N2, dem reg, screwdriver, case & tubing	720.00
72-5112RK	81-5112RK	Cal kit, EAGLE, 58AL cyl 2 ppm Chlorine/N2, dem flow reg, screwdriver, case & tubing	725.00
	81-5112RK-LV	Cal Kit, EAGLE, 34AL cyl 2 ppm Chlorine/N2, reg with gauge & knob, gas bag, screwdriver, case & tubing	535.00
72-5113RK	81-5113RK	Cal Kit, EAGLE, 58AL cyl 25 ppm Nitric Oxide/N2, dem flow reg, screwdriver, case & tubing	685.00
72-5114RK	81-5114RK	Cal Kit, EAGLE, 58AL cyl 10 ppm Nitrogen Dioxide/Air, dem flow reg, screwdriver, case & tubing	685.00
	81-5114RK-LV	Cal kit, EAGLE, 34AL cyl 10 ppm Nitrogen Dioxide/Air, reg with gauge & knob, screwdriver, case & tubing	575.00
72-5115RK-02	81-5115RK02	Cal kit, EAGLE, 103L steel cyl 5,000 ppm CO2/N2, dem flow reg, screwdriver, case & tubing	495.00
72-5115RK-03	81-5115RK03	Cal kit, EAGLE, 103L steel cyl 2.5% CO2/N2, dem flow reg, screwdriver, case & tubing	510.00
72-5115RK-04	81-5115RK04DLV	Cal kit, EAGLE, 34L cyl 15% CO2 in N2, dem reg, case & tubing	470.00
72-5115RK-05	81-5115RK05-LV	Cal kit, EAGLE, 34L cyl 15% CO2/N2, disp valve, gas bag, screwdriver, case & tubing	250.00
72-5120RK	81-5120RK	Cal kit, EAGLE, 58L cyl 50% vol Methane/N2, dem flow reg, screwdriver, case & tubing	520.00
	81-5120RK-LV	Cal kit, EAGLE, 34L 50% vol Methane/N2, disp valve, gas bag, screwdriver, case & tubing	250.00
72-5123RK	81-5123RK-DLV	Cal kit, EAGLE, 34AL cyl 10 ppm Hydrogen Cyanide/N2, dem reg, screwdriver, case & tubing	620.00
72-5201RK	81-5201RK	Cal kit, EAGLE, 103L steel cyl CH4/CO/O2, dem flow reg, case & tubing	495.00
	81-5201RK-DLV	Cal kit, EAGLE, 34L cyl CH4/CO/O2, dem reg, screwdriver, case & tubing	455.00
	81-5201RK-HLV	Cal kit, EAGLE, 34L cyl CO/Hex/O2, disp valve, gas bag, case & tubing	240.00
	81-5201RK-LV	Cal kit, EAGLE, 34L cyl CH4/CO/O2, disp valve, gas bag, case & tubing	240.00
	81-5201RKH	Cal kit, EAGLE, 103L steel cyl CO/Hex/O2, dem flow reg, case & tubing	495.00
	81-5201RKIB-DLV	Cal kit, EAGLE, 34L cyl isobutane/air, 34L 100% N2, dem reg, case & tubing	525.00
72-5201RK-TR1	81-5201RKTR1	Cal kit, EAGLE, 103L steel cyl 50% LEL H2/Air, 103L steel cyl 100% N2, dem flow reg, case & tubing	645.00
	81-5201RKTR1-LV	Cal kit, EAGLE, 34L cyl 50% LEL H2/Air, 34L cyl 100% N2, disp valve, gas bag, case & tubing	295.00

Portable Calibration Kits

Instrument Part #	Cal Kit #	Cal Kit Description	Kit Price
EAGLE			
72-5202RK	81-5202RK	Cal kit, EAGLE, 103 L cyl CH4/CO/O2, dem flow reg, case & tubing	495.00
	81-5202RK-H	Cal kit, EAGLE, 103L steel cyl 15% LEL HEX/CO/O2, dem flow reg, case & tubing	495.00
	81-5202RK-LV	Cal kit, EAGLE, 34L cyl CH4/CO/O2, disp valve, gas bag, case & tubing	240.00
	81-5202RKPRODLV	Cal kit, EAGLE, 34L cyl LEL propane/air, 34L 100% nitrogen, dem flow reg, case & tubing	355.00
72-5203RK	81-5203RK	Cal kit, EAGLE, 58AL cyl H2S (25 ppm)/CO/CH4/O2, dem flow reg, case & tubing	535.00
	81-5203RK-LV	Cal kit, EAGLE, 34AL cyl H2S (25 ppm)/CO/CH4/O2, reg with gauge & knob, gas bag, case & tubing	435.00
72-5204RK	81-5204RK-DLV	Cal kit, EAGLE, 34L cyl CH4/CO/O2, 34L 100% N2, dem reg, case & tubing	455.00
72-5211RK	81-5211RK-DLV	Cal kit, EAGLE, 34AL cyl NH3 25 ppm in N2, 34AL cyl Cl2 2 ppm in N2, demand flow reg, case & tubing	1,220.00
72-5212RK	81-5212RK-LV	Cal kit, EAGLE, 34AL cyl NH3/N2, 58AL cyl SiH4/N2, reg with gauge & knob, gas bag, screwdriver, case & tubing	790.00
72-5213RK	81-5213RK-LV	Cal kit, EAGLE, 34AL cyl Cl2/N2, 58AL cyl SiH4/N2, reg with gauge & knob, gas bag, screwdriver, case & tubing	730.00
72-5220RK	81-5220RK	Cal kit, EAGLE, 58AL cyl Cl2 2 ppm in N2, dem flow reg, case & tubing	725.00
	81-5220RK-LV	Cal kit, EAGLE, 34AL cyl Cl2 in N2, demand flow reg, screwdriver, case & tubing	535.00
72-5221RK	81-5221RK	Cal kit, EAGLE, 58AL cyl SO2/ N2, 58AL cyl HCl/N2, dem flow reg, screwdriver, case & tubing	845.00
72-5222RK-02	81-5222RK02	Cal kit, EAGLE, 103L steel cyl 5,000 ppm CO2/N2, dem flow reg, screwdriver, case & tubing	495.00
	81-5222RK02-LV	Cal kit, EAGLE, 34L cyl 5,000 ppm CO2/N2, disp valve, gas bag, screwdriver, case & tubing	240.00
72-5222RK-03	81-5222RK03	Cal kit, EAGLE, 103L steel cyl 2.5% CO2/N2, dem flow reg, screwdriver, case & tubing	510.00
72-5222RK-05	81-5222RK02-LV	Cal kit, EAGLE, 34L cyl 5,000 ppm CO2/N2, disp valve, gas bag, screwdriver, case & tubing	240.00
	81-5222RK05	Cal kit, EAGLE, 103L steel cyl 15% CO2/N2, dem flow reg, screwdriver, case & tubing	510.00
72-5223RK-02	81-5223RK02	Cal kit, EAGLE, 103L steel cyl 5,000 ppm CO2/N2, 58AL cyl NH3/N2, dem flow reg, screwdriver, case & tubing	810.00
72-5223RK-03	81-5223RK03	Cal kit, EAGLE, 103L steel cyl 2.5% CO2/N2, 58AL cyl NH3/N2, dem flow reg, screwdriver, case & tubing	835.00
72-5234RK	81-5234RK-DLV	Cal kit, EAGLE, 34AL cyl 25 ppm NH3/N2, 103L steel cyl 50 ppm CO/air, dem flow reg, screwdriver, case & tubing	790.00
72-5238RK	81-5238RK	Cal kit, EAGLE, 103L steel cyl 50% LEL CH4/Air, 58L steel cyl 50% vol CH4/N2, dem flow reg, screwdriver, case & tubing	670.00
72-5243RK-02	81-5243RK02	Cal kit, EAGLE, 103L steel cyl 50% LEL Methane/Air, 103L steel cyl 5,000 ppm CO2/N2, dem flow reg, screwdriver, case & tubing	660.00
72-5244RK-DLV	81-5244RK-DLV	Cal kit, EAGLE, 34AL 5 ppm SO2 in n2, 34AL cyl 10 ppm NO2 in n2, dem reg, case & tubing	840.00
72-5256RK	81-5256RK-LV	Cal kit, EAGLE, 34AL cyl Cl2/N2, 34AL cyl NH3/N2, reg with gauge & knob, gas bag, screwdriver, case & tubing	1,150.00
72-5259RK	81-5259RK-LV	Cal kit, EAGLE, 34AL cyl NH3/N2, reg with gauge & knob, gas bag, screwdriver, case & tubing	595.00
72-5262RK	81-5262RK-LV	Cal kit, EAGLE, 34L cyl 50% LEL H2/Air, 34AL cyl PH3/N2, disp valve, reg with gauge & knob, gas bag, screwdriver, case & tubing	665.00

Portable Calibration Kits

Instrument Part #	Cal Kit #	Cal Kit Description	Kit Price
EAGLE			
72-5265RK-02	81-5265RK02-DLV	Cal kit, EAGLE, 34AL 25 ppm H2S in N2, 103L steel cyl 5000 ppm CO2 in N2, dem reg, case & tubing	640.00
72-5265RK-03	81-5265RK03-DLV	Cal kit, EAGLE, 34AL 25 ppm H2S in N2, 103L steel cyl 2.5% CO2 in N2, dem reg, case & tubing	640.00
72-5265RK-04	81-5265RK04-DLV	Cal kit, EAGLE, 34AL 25 ppm H2S in N2, 103L steel cyl 15% CO2 in N2, dem reg, case & tubing	640.00
72-5265RK-05	81-5265RK04-DLV	Cal kit, EAGLE, 34AL 25 ppm H2S in N2, 103L steel cyl 15% CO2 in N2, dem reg, case & tubing	640.00
72-5266RK	81-5266RK-LV	Cal kit, EAGLE, 34AL cyl Cl2/N2, 34AL cyl HCl/N2, reg with gauge & knob, gas bag, screwdriver, case & tubing	815.00
72-5272RK	81-5272RK-LV	Cal kit, EAGLE, 34AL cyl SO2/N2, 34AL cyl NH3/N2, reg with gauge & knob, gas bag, screwdriver, case & tubing	735.00
72-5276RK	81-5276RK-DLV	Cal kit, EAGLE, 34AL cyl PH3 0.5 ppm in N2, 34AL cyl Cl2 2 ppm in N2, demand flow regulator, case & tubing	910.00
72-5278RK	81-5278RKH2-DLV	Cal kit, EAGLE, 34L cyl 50% LEL Hydrogen/Air, 34L cyl 50 ppm CO/Air, dem flow reg, screwdriver, case & tubing	510.00
72-5286RK	81-5286RK	Cal kit, EAGLE, 103L steel cyl 50% LEL CH4/Air, 103L steel cyl 10 ppm NO2/N2, dem flow reg, screwdriver, case & tubing	795.00
72-5296RK	81-5296RK	Cal kit, EAGLE, 103L steel cyl 50% LEL CH4/Air, 58AL cyl 2 ppm Cl2/N2, dem flow reg, screwdriver, case & tubing	755.00
72-5300-09	81-5300-09-LV	Cal kit, EAGLE/EAGLE 2, 103L steel cyl 20% LEL Methane/Air, dem flow reg, case & tubing	780.00
72-5301RK	81-5301RK	Cal kit, EAGLE, 58AL cyl H2S/CO/CH4/O2, dem flow reg, case & tubing	535.00
	81-5301RK-H	Cal kit, EAGLE, 58AL cyl H2S/CO/Hex/O2, dem flow reg, case & tubing	565.00
	81-5301RK-LV	Cal kit, EAGLE, 34AL cyl H2S/CO/CH4/O2, reg with gauge & knob, gas bag, case & tubing	435.00
72-5302RK	81-5302RK	Cal kit, EAGLE, 103L steel cyl CO/CH4/O2, dem flow reg, case & tubing	495.00
	81-5302RK-H	Cal kit, EAGLE, 103L steel cyl CO/Hex/O2, dem flow reg, case & tubing	495.00
	81-5302RK-HDLV	Cal kit, EAGLE, 34L cyl CO/Hex/O2, dem flow reg, case & tubing	470.00
	81-5302RK-HLV	Cal kit, EAGLE, 34L cyl CO/Hex/O2, disp valve, gas bag, case & tubing	240.00
	81-5302RK-LV	Cal kit, EAGLE, 34L cyl CO/CH4/O2, disp valve, gas bag, case & tubing	240.00
	81-5302RKNG	Cal kit, EAGLE, reg with gauge & knob, gas bag, case for 58AL / 103L steel cylinders & tubing (No Gas)	345.00
72-5308RK	81-5308RK	Cal kit, EAGLE, 103L steel cyl CO/CH4/O2, 58AL cyl Cl2/N2, dem flow reg, screwdriver, case & tubing	875.00
	81-5308RKP	Cal kit, EAGLE, 103L steel cyl 25% LEL Pent/CO/O2, 58AL cyl Cl2/N2, dem flow reg, screwdriver, case & tubing	875.00
72-5310RK	81-5310RK	Cal kit, EAGLE, 103L steel cyl CO/CH4/O2, 58AL cyl Cl2/N2, dem flow reg, screwdriver, case & tubing	875.00
72-5311RK	81-5311RK-LV		685.00
72-5316RK	81-5316RK-03	Cal kit, EAGLE, 103L steel cyl 2.5% CO2/N2, 103L steel cyl CO/CH4/O2/N2, dem flow reg, screwdriver, case & tubing	645.00
72-5316RK-01	81-5316RK01	Cal kit, EAGLE, 103L steel cyl d 2,000 ppm CO2/N2, 103L steel cyl CO/CH4/O2, dem flow reg, screwdriver, case & tubing	660.00
	81-5316RK01-LV	Cal kit, EAGLE, 34L cyl of 2,000 ppm CO2/ N2, 34L cyl CO/CH4/O2, disp valve, gas bag, case & tubing	305.00
	81-5316RK01DLV	Cal kit, EAGLE, 34L cyl 2,000 ppm CO2/N2, 34L cyl CO/CH4/O2/N2, dem flow reg, screwdriver, case & tubing	525.00

Portable Calibration Kits

Instrument Part #	Cal Kit #	Cal Kit Description	Kit Price
EAGLE			
72-5316RK-02	81-5316RK02	Cal kit, EAGLE, 103L steel cyl 5000 ppm CO2/N2, 103L steel cyl CO/CH4/O2/N2, dem flow reg, screwdriver, case & tubing	660.00
	81-5316RK02-LV	Cal kit, EAGLE, 34L cyl of 5,000 ppm CO2/ N2, 34L cyl CO/CH4/O2, disp valve, gas bag, case & tubing	305.00
72-5316RK-03	81-5316RK03-DLV	Cal kit, EAGLE, 34L cyl 2.5% CO2/N2, 34L cyl CO/CH4/O2/N2, dem flow reg, screwdriver, case & tubing	525.00
	81-5316RK03-HLV	Cal kit, EAGLE, 34L cyl 2.5% CO2/N2, 34L cyl CO/Hex/O2, disp valve, gas bag, screwdriver, case & tubing	305.00
72-5316RK-04	81-5316RK04	Cal kit, EAGLE, 103L steel cyl 15% CO2/N2, 34L cyl CO/CH4/O2, dem flow reg, screwdriver, case & tubing	660.00
	81-5316RK04-DLV		525.00
72-5322RK	81-5322RK	Cal kit, EAGLE, 58L cyl 50% vol CH4/N2, 103L steel cyl CO/50% LEL CH4/O2/N2, dem flow reg, screwdriver, case & tubing	670.00
	81-5322RK-LV	Cal kit, EAGLE, 34L cyl 50% vol CH4/N2, 34L cyl CO/CH4/O2/N2, disp valve, gas bag, screwdriver, case & tubing	295.00
72-5327RK	81-5327RK	Cal kit, EAGLE, 58AL cyl H2S/N2, 58AL cyl SO2/N2, 58AL cyl HCl/N2, dem flow reg, screwdriver, case & tubing	1,265.00
72-5330RK	81-5330RK	Cal kit, EAGLE, 58AL cyl H2S/N2, 58AL cyl NH3/N2, dem flow reg, case & tubing	795.00
	81-5330RK-DLV	Cal kit, EAGLE, 34AL cyl H2S/N2, 34AL cyl NH3/N2, dem flow reg, screwdriver, case & tubing	810.00
72-5331RK	81-5331RK-LV	Cal kit, EAGLE, 34L cyl 50% LEL CH4/air, 34AL cyl 5 ppm SO2/N2, 34AL cyl 10 ppm NO2/Air, reg with gauge & knob, disp valve, gas bag, screwdriver, case & tubing	805.00
72-5335RK-05	81-5335RK-05	Cal kit, EAGLE, 58L cyl 50% vol CH4/N2, 103L steel cyl 15% CO2/N2, dem flow reg, screwdriver, case & tubing	670.00
72-5337RK	81-5337RK	Cal kit, EAGLE, 58AL cyl H2S/CO/CH4/O2, dem flow reg, case & tubing	535.00
72-5339RK	81-5339RK	Cal kit, EAGLE, 58AL cyl 5 ppm HCl/N2, reg with gauge & knob, gas bag, screwdriver, case & tubing	710.00
72-5350RK	81-5350RK-DLV	Cal kit, EAGLE, 103L steel cyl 50% LEL Methane/Air, 58AL cyl SiH4/N2, 34AL cyl Cl2/N2, dem flow reg, case & tubing	1,150.00
72-5354RK	81-5354RKIB-DLV	Cal kit, EAGLE, 34AL cyl 25 ppm H2S/CO/50% LEL isobutane/O2/N2, dem flow reg, screwdriver, case & tubing	575.00
	81-5354RKIB-LV	Cal kit, EAGLE, 34AL cyl 25 ppm H2S/CO/50% LEL isobutane/O2/N2, reg with gauge & knob, gas bag, screwdriver, case & tubing	450.00
72-5355RK	81-5355RK	Cal kit, EAGLE, 58AL cyl 50 ppm H2S/50% LEL isobutane/N2, reg with gauge & knob, gas bag, screwdriver, case & tubing	450.00
	81-5355RK-LV	Cal kit, EAGLE, 34AL cyl 50 ppm H2S/50% LEL isobutane/N2, reg with gauge & knob, gas bag, screwdriver, case & tubing	440.00
	81-5355RK-NG	Cal kit, EAGLE, reg with gauge & knob, gas bag, screwdriver, case for 58AL / 103L steel cylinders & tubing (No Gas)	230.00
72-5371RK-05	81-5371RK05	Cal kit, EAGLE, 34AL cyl H2S/N2, 103L steel cyl 15% CO2/N2, dem flow reg, screwdriver, case & tubing	640.00
72-5384RK-03	81-5384RK03-DLV	Cal kit, EAGLE, 34L cyl 2.5% CO2/N2, 17L cyl CO/Isobutane/O2, dem flow reg, screwdriver, case & tubing	515.00
72-5394RK	81-5394RKH2-DLV	Cal kit, EAGLE, 103L steel cyl 50% LEL H2 in n2, 103L steel cyl 100 ppm CO in air, 34AL 5 ppm SO2 in n2, dem flow reg, screwdriver, case & tubing	940.00

Portable Calibration Kits

Instrument Part #	Cal Kit #	Cal Kit Description	Kit Price
EAGLE			
72-5401RK	81-5401RK	Cal kit, EAGLE, 58AL cyl H2S (25 ppm)/CO/CH4/O2, dem flow reg, case & tubing	535.00
	81-5401RK-DLV	Cal kit, EAGLE, 34AL cyl H2S (25 ppm)/CO/CH4/O2, dem flow reg, case & tubing	560.00
	81-5401RK-H	Cal kit, EAGLE, 58AL cyl H2S/CO/Hex/O2, dem flow reg, case & tubing	565.00
	81-5401RK-HLVD	Cal kit, EAGLE, 34AL cyl H2S/CO/Hex/O2, dem flow reg, case & tubing	560.00
	81-5401RK-LV	Cal kit, EAGLE, 34AL cyl H2S (25 ppm)/CO/CH4/O2, reg with gauge & knob, gas bag, case & tubing	435.00
	81-5401RK-P	Cal kit, EAGLE, 58AL cyl H2S/CO/32% LEL Pent/O2, dem flow reg, case & tubing	565.00
	81-5401RKD	Cal kit, EAGLE, 58AL cyl H2S (25 ppm)/CO/CH4/O2,reg with gauge & knob, cal cup, case & tubing	415.00
	81-5401RKIB-DLV	Cal kit, EAGLE, 34AL cyl 25 ppm H2S/CO/50% LEL isobutane/O2/N2, dem flow reg, case & tubing	560.00
	81-5401RKIB-LV	Cal kit, EAGLE,34AL cyl H2S/CO/LEL isobutane/O2, dem flow reg, case/tubing	435.00
	81-5401RKNG	Cal kit, EAGLE, demand flow regulator, case for 58AL / 103L steel cylinders & tubing (No Gas)	345.00
81-5401RKNG-LV	Cal kit, EAGLE, reg with gauge & knob, gas bag, screwdriver, case for 17/34L cylinders & tubing (No Gas)	275.00	
72-5402RK	81-5402RK	Cal kit, EAGLE, 58AL cyl H2S (25 ppm)/CO/CH4/O2, 58AL cyl SO2/N2, dem flow reg, case & tubing	695.00
72-5403RK	81-5403RK	Cal kit, EAGLE, 58AL cyl SO2/CO/LEL/O2, dem flow reg, case & tubing	655.00
72-5404RK	81-5404RK	Cal kit, EAGLE, 58AL cyl H2S (25 ppm)/CO/CH4/O2, 58AL cyl Cl2/N2, dem flow reg, screwdriver, case & tubing	1,195.00
72-5405RK	81-5405RK	Cal kit, EAGLE, 103L steel cyl CO/CH4/O2, 58AL cyl Cl2/N2, dem flow reg, screwdriver, case & tubing	875.00
	81-5405RK-LV	Cal kit, Eagle, 34L, LEL/O2/CO/Cl2, dem flow reg, case & tube	625.00
72-5406RK	81-5406RK	Cal kit, EAGLE, 103L steel cyl CO/LEL/O2, 58AL cyl NH3/N2, 58AL cyl Cl2/N2, dem flow reg, screwdriver, case & tubing	1,570.00
	81-5406RK-LV	Cal kit, EAGLE, 34L cyl CO/CH4/O2, 34AL cyl Cl2/N2, disp valve, reg with gauge & knob, case & tubing	1,030.00
	81-5406RK-P	Cal kit, EAGLE, 103L steel cyl 25% LEL Pent/CO/O2, 58AL cyl NH3/N2, dem flow reg, screwdriver, case & tubing	1,570.00
72-5407RK	81-5407RK-LV	Cal kit, EAGLE, 34L steel cyl CO 50 ppm/CH4 50% LEL/O2 12% vol in N2, 34AL cyl NH3 25 ppm in N2, 34AL cyl Cl2 2 ppm in N2, dispensing valve, two regulator wth 6 LPM, gas bag, screwdriver, case & tubing	1,030.00
72-5408RK	81-5408RK-LV	Cal kit, EAGLE, 34AL cyl NH3/N2, 34AL cyl PH3/N2, 34L cyl CO/CH4/O2, reg with gauge & knob, dispensing valve, gas bag, screwdriver, case & tubing	945.00
72-5410RK	81-5410RK	Cal kit, EAGLE, 58AL cyl H2S (25 ppm)/CO/CH4/O2, 58AL cyl NH3/N2, dem flow reg, screwdriver, case & tubing	875.00
	81-5410RK-LV	Cal kit, EAGLE, 34AL cyl H2S (25 ppm)/CO/CH4/O2, 34AL cyl NH3/N2, reg with gauge & knob, gas bag, screwdriver, case & tubing	755.00
72-5412RK	81-5412RK	Cal kit, EAGLE, 103L steel cyl CO/LEL/O2, 58AL cyl 25 ppm NH3/N2, dem flow reg, screwdriver, case & tubing	835.00
	81-5412RK-DLV	Cal kit, EAGLE, 103L steel cyl CO/LEL/O2, 34AL cyl 25 ppm NH3/N2, dem flow reg, screwdriver, case & tubing	815.00
	81-5412RKH	Cal kit, EAGLE, 103L steel cyl CO/Hex/O2, 58AL cyl 25 ppm NH3/N2, dem flow reg, screwdriver, case & tubing	950.00
72-5415RK	81-5415RK-LV	Cal kit, EAGLE, 34AL, LEL/O2/CO, NO/N2, disp valve, gas bag, case,tube,screwdriver	665.00

Portable Calibration Kits

Instrument Part #	Cal Kit #	Cal Kit Description	Kit Price
EAGLE			
72-5416RK-01	81-5416RK01	Cal kit, EAGLE, 103L steel cyl 2,000 ppm CO ₂ /N ₂ , 103L steel cyl CO/CH ₄ /O ₂ , dem flow reg, screwdriver, case & tubing	660.00
	81-5416RK01-DLV	Cal kit, EAGLE, 34L cyl 2,000 ppm CO ₂ /N ₂ , 34L cyl CO/CH ₄ /O ₂ , dem flow reg, screwdriver, case & tubing	525.00
	81-5416RK01-LV	Cal kit, EAGLE, 34L LEL/O ₂ /CO/CO ₂ , disp valve, gas bag, case, screwdriver	305.00
72-5416RK-02	81-5416RK02	Cal kit, EAGLE, 103L steel cyl 5,000 ppm CO ₂ /N ₂ , 103L steel cyl CO/CH ₄ /O ₂ , dem flow reg, screwdriver, case & tubing	660.00
72-5416RK-03	81-5416RK03	Cal kit, EAGLE, 103L steel cyl 2.5% CO ₂ /N ₂ , 103L steel cyl CO/CH ₄ /O ₂ , dem flow reg, screwdriver, case & tubing	660.00
	81-5416RK03-DLV	Cal kit, EAGLE, 34L cyl 2.5% CO ₂ /N ₂ , 34L cyl CO/CH ₄ /O ₂ , dem flow, screwdriver, case & tubing	525.00
	81-5416RK03-LV	Cal kit, EAGLE, 34L cyl 2.5% CO ₂ /N ₂ , 34L cyl CO/CH ₄ /O ₂ , disp valve, gas bag, screwdriver, case & tubing	305.00
72-5416RK-04	81-5416RK04-LV	Cal kit, EAGLE, 34L cyl 15% CO ₂ /N ₂ , 34L cyl CO/CH ₄ /O ₂ , disp valve, gas bag, screwdriver, case & tubing	305.00
72-5416RK-05	81-5416RK05-DLV	Cal kit, EAGLE, 34L steel cyl CO ₂ 2.5% vol in N ₂ , 34L steel cyl CO 50 ppm/ch ₄ 50% LEL/O ₂ 12% in N ₂ , demand flow regulator, screwdriver, case & tubing	525.00
72-5417RK	81-5417RK	Cal kit, EAGLE, 34L cyl CO/CH ₄ /O ₂ , 34AL cyl Cl ₂ /N ₂ , disp valve, reg with gauge & knob, gas bag, screwdriver, case & tubing	875.00
72-5421RK	81-5421RK	Cal kit, EAGLE, 34L cyl CO/CH ₄ /O ₂ , 34AL cyl Cl ₂ /N ₂ , disp valve, reg with gauge & knob, gas bag, screwdriver, case & tubing	990.00
	81-5421RK-LV	Cal Kit, EAGLE, 34L & 34AL LEL/O ₂ /CO/HCL, disp valve, case,gas bag, screw	685.00
72-5422RK	81-5422RK	Cal kit, EAGLE, 34L cyl CO/CH ₄ /O ₂ , 34AL cyl SO ₂ /N ₂ , 34AL cyl Cl ₂ /N ₂ , disp valve, reg with gauge & knob, screwdriver, case & tubing	1,195.00
72-5424RK	81-5424RK-LV	Cal kit, EAGLE, 34L cyl CO/CH ₄ /O ₂ , 34AL cyl SO ₂ /N ₂ , 34AL cyl Cl ₂ /N ₂ , disp	1,025.00
72-5438RK	81-5438RK	Cal kit, EAGLE, 58L cyl 50% vol CH ₄ /N ₂ , 103L steel cyl CO/50% LEL CH ₄ /O ₂ /N ₂ , dem flow reg, screwdriver, case & tubing	670.00
	81-5438RK-LV	Cal kit, EAGLE, 34L cyl 50% vol CH ₄ /N ₂ , 34L CO/CH ₄ /O ₂ /N ₂ , disp valve, gas bag, screwdriver, case & tubing	295.00
72-5439RK-01	81-5439RK01	Cal kit, EAGLE, 103L steel cyl 2,000 ppm CO ₂ /N ₂ , 58AL cyl 25 ppm H ₂ S/CO/CH ₄ /O ₂ /N ₂ , dem flow reg, screwdriver, case & tubing	700.00
	81-5439RK01-H	Cal kit, EAGLE, 58AL cyl 25 ppm H ₂ S/CO/15% LEL Hexane/O ₂ /N ₂ , 103L steel cyl 2,000 ppm CO ₂ /N ₂ , dem flow reg, screwdriver, case & tubing	715.00
72-5439RK-02	81-5439RK02-DLV	Cal kit, EAGLE, 34L cyl 5,000 ppm CO ₂ /N ₂ , 34AL cyl H ₂ S/CO/CH ₄ /O ₂ , dem reg, screwdriver, case & tubing	655.00
	81-5439RK02-LV	Cal kit, EAGLE, 34L cyl 5,000 ppm CO ₂ /N ₂ , 34AL cyl H ₂ S/CO/CH ₄ /O ₂ , disp valve, reg with gauge & knob, gas bag, screwdriver, case & tubing	535.00
72-5439RK-03	81-5439RK03-H	Cal kit, EAGLE, 103L steel cyl 2.5% CO ₂ /N ₂ , 58AL cyl H ₂ S/CO/CH ₄ /O ₂ , dem flow reg, screwdriver, case & tubing	730.00
	81-5439RK03-HLV	Cal kit, EAGLE, 34L cyl 2.5% CO ₂ /N ₂ , 34AL cyl H ₂ S/CO/CH ₄ /O ₂ , disp valve, reg with gauge & knob, gas bag, screwdriver, case & tubing	535.00
72-5439RK-04	81-5439RK04-HLV	Cal kit, EAGLE, 34L cyl 15% CO ₂ /N ₂ , 34AL cyl H ₂ S/CO/Hex/O ₂ , disp valve, reg with gauge & knob, gas bag, case & tubing	535.00
72-5439RK-05	81-5439RK05-DLV	Cal kit, EAGLE, 34L cyl 15% CO ₂ /N ₂ , 34AL cyl 25 ppm H ₂ S/CO/CH ₄ /O ₂ /N ₂ , dem flow reg, screwdriver, case & tubing	655.00
72-5440RK	81-5440RK	Cal kit, EAGLE, 103L steel cyl CO/LEL/O ₂ , 58AL cyl PH ₃ /N ₂ , 58AL cyl HCl/N ₂ , reg with gauge & knob, gas bag, screwdriver, case & tubing	1,250.00
	81-5440RKH	Cal kit, EAGLE, 103L steel cyl CO/15% LEL Hexane/O ₂ /N ₂ , 58AL cyl PH ₃ /N ₂ , 58AL cyl HCl/N ₂ , reg with gauge & knob, gas bag, screwdriver, case & tubing	1,405.00

Portable Calibration Kits

Instrument Part #	Cal Kit #	Cal Kit Description	Kit Price
EAGLE			
72-5441RK	81-5441RK	Cal kit, EAGLE, 58L cyl 50% vol CH4/N2, 103L steel cyl CO/CH4/O2, dem flow reg, screwdriver, case & tubing	670.00
72-5442RK	81-5442RK	Cal kit, EAGLE, 58L cyl 50% vol CH4/N2, 58AL cyl 25 ppm H2S/CO/50% LEL CH4/O2/N2, dem flow reg, screwdriver, case & tubing	710.00
72-5445RK	81-5445RK-LV	Cal kit, EAGLE, 34L cyl CO/N2, 34AL cyl NH3/N2, 34AL cyl Cl2/N2, disp valve, reg with gauge & knob, gas bag, screwdriver, case & tubing	1,030.00
72-5448RK-05	81-5448RK05H2	Cal kit, EAGLE, 103L steel cyl 50% LEL H2/N2, 103L steel cyl 15% CO2/N2, 34AL cyl NH3/N2, dem flow reg, screwdriver, case & tubing	1,080.00
72-5451RK	81-5401RK	Cal kit, EAGLE, 58AL cyl H2S (25 ppm)/CO/CH4/O2, dem flow reg, case & tubing	535.00
	81-5401RK-LV	Cal kit, EAGLE, 34AL cyl H2S (25 ppm)/CO/CH4/O2, reg with gauge & knob, gas bag, case & tubing	435.00
72-5452RK	81-5452RK	Cal kit, EAGE, 58AL cyl HCN, 103L LEL/CO/O2, reg, case, tube, screwsdriver	810.00
	81-5452RK-LV	Cal kit, EAGLE, 34L cyl CO/CH4/O2, 34AL cyl HCN/N2, reg with gauge & knob, disp valve, gas bag, case & tubing	670.00
72-5464RK	81-5464RK-LV	Cal kit, EAGLE, 34L cyl CO/CH4/O2/N2, 34AL cyl 25 ppm NH3/N2, reg with gauge & knob, disp valve, gas bag, screwdriver, case & tubing	740.00
72-5468RK-03	81-5468RK03-DLV	Cal Kit,EAGLW,BLEL/O2/H2S/CO2 34L, dem flow reg	670.00
	81-5468RK03-LV	Cal kit, EAGLE, 34L cyl 2.5% CO2/N2, 34AL cyl 25 ppm H2S/CO/CH4/O2/N2, reg with gauge & knob, disp valve, gas bag, screwdriver, case & tubing	535.00
72-5473RK	81-5473RK-LV	Cal kit, EAGLE, 34L cyl CO/CH4/O2, 34AL cyl Cl2/N2, 34L cyl 100% N2, reg with gauge & knob, disp valve, gas bag, screwdriver, case & tubing	840.00
72-5474RK	81-5474RK03	Cal Kit,EAGLE, LEL/CH4vol/O2/CO2 2.5%,103,58L	935.00
	81-5474RK20	Cal kit, EAGLE, 58L cyl 50% vol CH4/N2, 103L steel cyl 5,000 ppm CO2/N2, 103L steel cyl CO/50% LEL CH4/O2/N2, dem flow reg, screwdriver, case & tubing	935.00
72-5474RK-04	81-5474RK04	Cal kit, EAGLE, 58L cyl 50% vol CH4/N2, 103L steel cyl 5,000 ppm CO2/N2, 103L steel cyl CO/50% LEL CH4/O2/N2, dem flow reg, screwdriver, case & tubing	935.00
72-5488RK	81-5488RKH-LV	Cal kit, EAGLE, 34L cyl CO/Hex/O2, 34AL cyl PH3/N2, 34AL cyl HCN/N2, reg with gauge & knob, disp valve, gas bag, screwdriver, case & tubing	945.00
72-5501RK	81-5501RK	Cal kit, EAGLE, 58AL cyl H2S/CO/CH4/O2, 58AL cyl SO2/N2, dem flow reg, screwdriver, case & tubing	695.00
	81-5501RK-DLV	Cal kit, EAGLE, 34AL cyl H2S/CO/CH4/O2, 34AL cyl SO2/N2, dem flow reg, screwdriver, case & tubing	715.00
	81-5501RK-H	Cal kit, EAGLE, 58AL cyl H2S/CO/Hex/O2, 58AL cyl SO2/N2, dem flow reg, case & tubing	725.00
72-5502RK	81-5502RK	Cal kit, EAGLE, 103L steel cyl 10% LEL Hex/Air, 58AL cyl H2S/CO/CH4/O2, 58AL cyl Cl2/N2, dem flow reg, screwdriver, case & tubing	1,195.00
72-5503RK	81-5503RK	Cal kit, EAGLE, 58AL cyl H2S/CO/CH4/O2, 58AL cyl NH3/N2, dem flow reg, screwdriver, case & tubing	875.00
	81-5503RK-DLV	Cal kit, EAGLE, 34AL cyl 25 ppm H2S/CO/CH4/O2, 34AL cyl NH3/N2, dem flow reg, screwdriver, case & tubing	855.00
72-5504RK-01	81-5504RK01	Cal kit, EAGLE, 103L steel cyl 2,000 ppm CO2/N2, 58AL cyl 25 ppm H2S/CO/CH4/O2, dem flow reg, screwdriver, case & tubing	700.00
	81-5504RK01-HLV	Cal kit, EAGLE, 34L cyl 2,000 ppm CO2/N2, 34AL cyl H2S/CO/Hex/O2, reg with gauge & knob, disp valve, gas bag, screwdriver, case & tubing	535.00
72-5504RK-02	81-5504RK02	Cal kit, EAGLE, 103L steel cyl 5,000 ppm CO2/N2, 58AL cyl 25 ppm H2S/CO/CH4/O2, dem flow reg, screwdriver, case & tubing	685.00

Portable Calibration Kits

Instrument Part #	Cal Kit #	Cal Kit Description	Kit Price
EAGLE			
72-5504RK-03	81-5504RK03	Cal kit, EAGLE, 103L steel cyl 2.5% CO2/N2, 58AL cyl 25 ppm H2S/CO/CH4/O2, dem flow reg, screwdriver, case & tubing	685.00
	81-5504RK03-DLV	Cal kit, EAGLE, 103L steel cyl 2.5% CO2/N2, 34AL cyl H2S/CO/CH4/O2, dem flow reg, screwdriver, case & tubing	670.00
	81-5504RK03-LV	Cal kit, EAGLE, 34L cyl 2.5% CO2/N2, 34AL cyl H2S/CO/CH4/O2, reg with gauge & knob, disp valve, gas bag, screwdriver, case & tubing	535.00
72-5504RK-04	81-5504RK04-LV	Cal kit, EAGLE, 34L cyl 15% CO2/N2, 34AL cyl H2S/CO/CH4/O2, reg with gauge & knob, disp valve, gas bag, screwdriver, case & tubing	535.00
72-5504RK-05	81-5504RK05	Cal kit, EAGLE, 103L steel cyl 15% CO2/N2, 58AL cyl 25 ppm H2S/CO/CH4/O2, dem flow reg, screwdriver, case & tubing	700.00
72-5505RK	81-5505RK	Cal kit, EAGLE, 103L steel cyl CO/CH4/O2, 58AL cyl SO2/N2, 58AL cyl Cl2/N2, dem flow reg, screwdriver, case & tubing	1,420.00
72-5506RK	81-5506RK	Cal kit, EAGLE, 103L steel cyl CO/CH4/O2, 58AL cyl NH3/N2, 58AL cyl Cl2/N2, dem flow reg, screwdriver, case & tubing	1,570.00
72-5508RK	81-5508RKH-LV	Cal kit, EAGLE, 34AL cyl H2S/CO/Hex/O2, 34AL cyl HCl/N2, reg with gauge & knob, screwdriver, case & tubing	755.00
72-5510RK	81-5510RK-LV	Cal kit, EAGLE, 34L cyl CO/CH4/O2, 34AL cyl SO2/N2, 34AL cyl NO/N2, disp valve, reg with gauge & knob, gas bag, screwdriver, case & tubing	805.00
72-5520RK-03	81-5520RK03	Cal kit, EAGLE, 103L steel cyl 2.5% CO2/N2, 103L steel cyl CO/CH4/O2, 58AL cyl NH3/N2, dem flow reg, case & tubing	1,100.00
72-5525RK	81-5525RK	Cal kit, EAGLE, 58AL cyl H2S/CO/CH4/O2, 58AL cyl Cl2/N2, dem flow reg, screwdriver, case & tubing	1,195.00
72-5526RK	81-5526RK-LV	Cal kit, EAGLE, 34AL cyl H2S/CO/CH4/O2, 34AL cyl NH3/N2, 34AL cyl Cl2/N2, reg with gauge & knob, gas bag, screwdriver, case & tubing	1,100.00
72-5529RK	81-5529RK-DLV	Cal kit, EAGLE, 34AL cyl 25 ppm H2S/CO/CH4/O2/N2, 34AL cyl 2 ppm Chlorine/N2, dem flow reg, screwdriver, case & tubing	1,100.00
72-5549RK	81-5549RK	Cal kit, EAGLE, 103L steel cyl 50% LEL Hydrogen/Air, 103L steel cyl 100% N2, 58AL cyl H2S/CO/CH4/O2, 58AL cyl 2 ppm Chlorine/N2, dem flow reg, screwdriver, case & tubing	1,220.00
72-5550RK	81-5550RK-HLV	Cal kit, EAGLE, 34L cyl CO/CH4/O2/N2, 34AL cyl 2 ppm Chlorine/N2, 34AL cyl 0.5 ppm Phosphine/N2, dem flow reg, screwdriver, case & tubing	885.00
72-5601RK	81-5601RK	Cal kit, EAGLE, 58AL cyl H2S/CO/CH4/O2, 58AL cyl NH3/N2, 58AL cyl Cl2/N2, dem flow reg, screwdriver, case & tubing	1,585.00
	81-5601RK-DLV	Cal kit, EAGLE, 34AL cyl H2S/CO/CH4/O2, 34AL cyl 10 ppm Ammonia/N2, 34AL cyl 2 ppm Chlorine/N2, dem flow reg, screwdriver, case & tubing	1,370.00
	81-5601RK-LV	Cal kit, EAGLE, 34AL cyl H2S/CO/CH4/O2, 34AL cyl NH3/N2, 34AL cyl Cl2/N2, reg with gauge & knob, gas bag, screwdriver, case & tubing	1,100.00
72-5606RK	81-5606RK-LV	Cal kit, EAGLE, 34AL cyl H2S/CO/CH4, 34AL cyl PH3/N2, 34AL cyl HCl/N2, reg with gauge & knob, gas bag, screwdriver, case & tubing	1,015.00
72-5608RK-02	81-5608RK02	Cal kit, EAGLE, 103L steel cyl 5,000 ppm CO2/N2, 58AL cyl H2S/CO/CH4/O2, 58AL cyl NH3/N2, dem flow reg, screwdriver, case & tubing	1,140.00
	81-5608RK02-LV	Cal kit, EAGLE, 34L cyl 5,000 ppm CO2/N2, 34AL cyl H2S/CO/CH4/O2, disp valve, reg with gauge & knob, gas bag, screwdriver, case & tubing	845.00
72-5608RK-03	81-5608RK03-DLV	Cal kit, EAGLE, 103L steel cyl 2.5% CO2/N2, 34AL cyl H2S/CO/CH4/O2, 34AL cyl NH3/N2, dem flow reg, screwdriver, case & tubing	1,090.00
72-5609RK	81-5609RK01	Cal kit, EAGLE, 103L steel cyl 2,000 ppm CO2/N2, 58AL cyl H2S/CO/CH4/O2, 58AL cyl NO2/Air, dem flow reg, screwdriver, case & tubing	1,140.00
72-5612RK-03	81-5612RK03-LV	Cal kit, EAGLE, 34AL cyl 25 ppm H2S/CO/CH4/O2, 34AL cyl Cl2/N2, 34L cyl CO2/N2, reg with gauge & knob, disp valve, gas bag, screwdriver, case & tubing	895.00

Portable Calibration Kits

Instrument Part #	Cal Kit #	Cal Kit Description	Kit Price
EAGLE			
72-5616RK-03	81-5616RK03-LV	Cal kit, EAGLE, 34L cyl 2.5% CO2/N2, 34AL cyl 25 ppm H2S/CO/CH4/O2/N2, 34AL SO2/N2, reg with gauge & knob, disp valve, gas bag, screwdriver, case & tubing	675.00
72-5621RK	81-5621RK-DLV	Cal kit, EAGLE/GX-6000, 34AL cyl SO2 5 ppm/H2S 25 ppm/CO 50 ppm/CH4 50% LEL/O2 12% in N2, 34AL cyl 2 ppm Cl2 in N2, two demand flow regulators, screwdriver, case & tubing	1,140.00
73-00523-CO	81-5104RK-LV	Cal kit, EAGLE, 34L cyl 50 ppm Carbon Monoxide/Air, disp valve, gas bag, case & tubing	240.00
73-0053-ASH3	81-5107RKS-LV	Cal kit, EAGLE, 34AL cyl PH3/N2, 34L cyl N2 100%, reg, gas bag, screwdriver, case & tubing	760.00
73-0053-CL2	81-5106RK-DLV	Cal kit, EAGLE, 34AL cyl 2 ppm Chlorine/N2, dem reg, screwdriver, case & tubing	660.00
73-0053-F2	81-5106RK-DLV	Cal kit, EAGLE, 34AL cyl 2 ppm Chlorine/N2, dem reg, screwdriver, case & tubing	660.00
73-0053-HBR	81-5106RK-DLV	Cal kit, EAGLE, 34AL cyl 2 ppm Chlorine/N2, dem reg, screwdriver, case & tubing	660.00
73-0053-HCL	81-5110RK	Cal kit, EAGLE, 58AL cyl 5 ppm Hydrogen Chloride/N2, reg, gas bag, screwdriver, case & tubing	560.00
73-0053-HCN	81-5123RK-DLV	Cal kit, EAGLE, 34AL cyl 10 ppm Hydrogen Cyanide/N2, dem reg, screwdriver, case & tubing	620.00
73-0053-HF	81-5106RK-DLV	Cal kit, EAGLE, 34AL cyl 2 ppm Chlorine/N2, dem reg, screwdriver, case & tubing	660.00
73-0053-NH3	81-5111RK-DLV	Cal kit, EAGLE, 34AL cyl 10 ppm Ammonia/N2, dem reg, screwdriver, case & tubing	720.00
73-0053-NO2	81-5114RK-LV	Cal kit, EAGLE, 34AL cyl 10 ppm Nitrogen Dioxide/Air, reg with gauge & knob, screwdriver, case & tubing	575.00
73-0053-PH3	81-5108RK-DLV	Cal kit, EAGLE, 34AL cyl 0.5 ppm Phosphine/N2, dem reg, screwdriver, case & tubing	690.00
73-0053-SO2	81-5105RK-LV	Cal kit, EAGLE, 34AL cyl 5 ppm SO2/N2, reg, gas bag, screwdriver, case & tubing	430.00
722-001	81-5201RK	Cal kit, EAGLE, 103L steel cyl CH4/CO/O2, dem flow reg, case & tubing	495.00
	81-5201RK-LV	Cal kit, EAGLE, 34L cyl CH4/CO/O2, disp valve, gas bag, case & tubing	240.00
722-002	81-5202RK	Cal kit, EAGLE, 103 L cyl CH4/CO/O2, dem flow reg, case & tubing	495.00
	81-5202RK-LV	Cal kit, EAGLE, 34L cyl CH4/CO/O2, disp valve, gas bag, case & tubing	240.00
722-003	81-5203RK	Cal kit, EAGLE, 58AL cyl H2S (25 ppm)/CO/CH4/O2, dem flow reg, case & tubing	535.00
	81-5203RK-LV	Cal kit, EAGLE, 34AL cyl H2S (25 ppm)/CO/CH4/O2, reg with gauge & knob, gas bag, case & tubing	435.00
722-045	812-045-DLV	Cal kit, EAGLE 2, 34L cyl 50% vol CH4, dem flow reg, case & tubing	470.00
722-059	81-5259RK-LV	Cal kit, EAGLE, 34AL cyl NH3/N2, reg with gauge & knob, gas bag, screwdriver, case & tubing	595.00
722-101-P1	812-101-P1-HDLV	Cal kit, EAGLE 2, 34L cyl 10% LEL Hex/Air, 34L cyl 10 ppm isobutylene/air, dem flow reg, case & tubing	645.00
722-101-P2	812-101-P2	Cal kit, EAGLE 2, 103L cyl 50% LEL CH4/Air, 103L cyl 100 ppm isobutylene in air, dem flow reg, case & tubing	645.00
	812-101-P2-DLV	Cal kit, EAGLE 2, 34L cyl 50% LEL CH4/Air, 34L cyl 10 ppm isobutylene in air, dem flow reg, case & tubing	510.00
	812-101-P25	Cal kit, EAGLE 2, 58AL cyl 100 ppm isobutylene/50% LEL CH4/25 ppm H2S/50 ppm CO/12% O2/N2, dem flow reg, case & tubing	685.00
722-102-20	812-102-20-DLV	Cal kit, EAGLE 2, 34L cyl 100% H2, dem flow reg, case & tubing	455.00

Portable Calibration Kits

Instrument Part #	Cal Kit #	Cal Kit Description	Kit Price
EAGLE			
722-112-H2	812-112-H2	Cal Kit, EAGLE 2, 103L steel cyl H2 50% LEL in air, 103L steel cyl CH4 50% LEL in Air, demand flow regulator, case & tubing	645.00
723-001	81-5301RK	Cal kit, EAGLE, 58AL cyl H2S/CO/CH4/O2, dem flow reg, case & tubing	535.00
	81-5301RK-LV	Cal kit, EAGLE, 34AL cyl H2S/CO/CH4/O2, reg with gauge & knob, gas bag, case & tubing	435.00
723-002	81-5302RK	Cal kit, EAGLE, 103L steel cyl CO/CH4/O2, dem flow reg, case & tubing	495.00
	81-5302RK-LV	Cal kit, EAGLE, 34L cyl CO/CH4/O2, disp valve, gas bag, case & tubing	240.00
723-026-02	813-026-02-DLV	Cal kit, EAGLE 2, 34L cyl 5000 ppm CO/N2, 34L cyl CO/CH4/O2, dem flow reg, case & tubing	510.00
EAGLE 2			
723-101-P1	813-101-P1-DLV	Cal kit, EAGLE 2, 34L cyl 50 ppm CO/50% LEL CH4/12% O2/N2, 34L cyl 10 ppm isobutylene in air, dem flow reg, case & tubing	510.00
723-101-P2	813-101-P2	Cal kit, EAGLE 2, 103L cyl 50 ppm CO/50% LEL CH4/12% O2/N2, 103L cyl 100 ppm isobutylene in air, dem flow reg, case & tubing	645.00
	813-101-P2-DLV	Cal kit, EAGLE 2, 34L cyl 50 ppm CO/50% LEL CH4/12% O2/N2, 34L cyl 100 ppm isobutylene in air, dem flow reg, case & tubing	510.00
	813-101-P2-HDLV	Cal kit, EAGLE 2, 34L cyl 50 ppm CO/50% LEL Hex/12% O2/N2, 34L cyl 100 ppm isobutylene in air, dem flow reg, case & tubing	510.00
723-104-20-ID	813-104-20LV	Cal kit, EAGLE 2, 34L steel cyl H2 100% vol, 34L steel cyl H2 50% LEL in air, 34L steel cyl N2 100%, dispensing valve, gas bag, case & tubing	415.00
723-106-10	813-106-10-DLV	Cal kit, EAGLE 2, 34L 4% vol H2/N2, 34L CO/CH4/O2, dem flow reg, case & tubing	510.00
723-113	813-113-LV	Cal kit, EAGLE 2, 34L cyl 2.5% CO2/N2, 34AL cyl 25 ppm NH3/N2, 34AL cyl Cl2/N2, dispensing valve, reg, gas bag, case & tubing	1,015.00
723-114-25	813-114-25-DLV	Cal kit, EAGLE 2, 34L cyl 100% H2, 34L cyl 15% CO2/N2, dem flow reg, case & tubing	525.00
724-001	81-5401RK	Cal kit, EAGLE, 58AL cyl H2S (25 ppm)/CO/CH4/O2, dem flow reg, case & tubing	535.00
	81-5401RK-DLV	Cal kit, EAGLE, 34AL cyl H2S (25 ppm)/CO/CH4/O2, dem flow reg, case & tubing	560.00
	81-5401RK-LV	Cal kit, EAGLE, 34AL cyl H2S (25 ppm)/CO/CH4/O2, reg with gauge & knob, gas bag, case & tubing	435.00
724-039-03	81-5439RK03-DLV	Cal kit, EAGLE, 34L cyl 2.5% vol CO2/N2, 34AL cyl H2S/CO/CH4/O2, dem reg, screwdriver, case & tubing	655.00
724-074-03	814-074-03-DLV	Cal kit, EAGLE 2, 34L cyl CO/CH4/O2, 34L cyl 2.5% CO2/N2, 34L cyl 50% vol CH4/N2, dem flow reg, case & tubing	565.00
724-074-05	814-074-05-DLV	Cal kit, EAGLE 2, 34L cyl CO/CH4/O2, 34L cyl 15% CO2/N2, 34L cyl 50% vol CH4/N2, dem flow reg, case & tubing	565.00
724-101-P1	814-101-P1	Cal kit, EAGLE 2, 58AL cyl H2S/CO/CH4/O2, 103L cyl 10 ppm isobutylene in air, dem flow reg, case & tubing	685.00
	814-101-P1-DLV	Cal kit, EAGLE 2, 34AL cyl H2S/CO/CH4/O2, 34AL cyl 10 ppm isobutylene in air, dem flow reg, case & tubing	710.00
724-101-P2	814-101-P25	Cal kit, EAGLE 2, 58AL cyl 100 ppm isobutylene/25 ppm H2S/50 ppm CO/50% LEL CH4/12% O2/N2, dem flow reg, case & tubing	685.00
	814-101-P25-DLV	Cal kit, EAGLE 2, 34AL cyl 100 ppm isobutylene/25 ppm H2S/50 ppm CO/50% LEL CH4/12% O2/N2, dem flow reg, case & tubing	630.00
724-102-P2	814-102-P2-DLV	Cal kit, EAGLE 2, 34L cyl CO/CH4/O2, 34L cyl 100 ppm isobutylene/air, dem flow reg, case & tubing	510.00
724-103-25	814-103-25-DLV	Cal kit, EAGLE 2, 34L cyl 50% LEL H2/N2, 34L cyl 100% H2, 34L cyl 15% vol CO2/N2, dem flow reg, case & tubing	580.00

Portable Calibration Kits

Instrument Part #	Cal Kit #	Cal Kit Description	Kit Price
EAGLE 2			
724-114-P2	814-114-P2-DLV	Cal kit, EAGLE 2, 103L cyl 50% LEL CH4/Air, 34AL cyl 100 ppm isobutylene in air, 34AL cyl 25 ppm NH3/N2, dem flow reg, case & tubing	1,570.00
	814-114-P2-HDLV	Cal kit, EAGLE 2, 103L cyl 10% LEL Hex/air, 34AL cyl 100 ppm isobutylene/air, 34AL cyl 25 ppm NH3/N2, 34AL cyl 2 ppm Cl2/N2, dem flow reg, case & tubing	1,570.00
725-001	815-001	Cal kit, EAGLE 2, 58AL cyl SO2/H2S/CO/CH4/O2, dem flow reg, case & tubing	680.00
	815-001-DLV	Cal kit, EAGLE 2, 34AL cyl SO2/H2S/CO/CH4/O2, dem flow reg, case & tubing	600.00
725-101-P1	815-101-P1-DLV	Cal kit, EAGLE 2, 34AL cyl H2S/CO/CH4/O2, 34AL cyl 10 ppm isobutylene in air, dem flow reg, case & tubing	710.00
725-101-P2	815-101-P2	Cal kit, EAGLE 2, 58AL cyl H2S/CO/CH4/O2, 103L cyl 100 ppm isobutylene in air, dem flow reg, case & tubing	685.00
	815-101-P2-DLV	Cal kit, EAGLE 2, 34AL cyl H2S/CO/CH4/O2, 34AL cyl 100 ppm isobutylene in air, dem flow reg, case & tubing	710.00
	815-101-P2-HDLV	Cal kit, EAGLE 2, 34AL cyl H2S/CO/Hex/O2, 34AL cyl 100 ppm isobutylene in air, dem flow reg, case & tubing	710.00
	815-101-P2-LV	Cal kit, EAGLE 2, 34AL cyl H2S/CO/CH4/O2, 34AL cyl 100 ppm isobutylene in air, reg with gauge & knob, gas bag, case & tubing	585.00
725-106-05	815-106-05-DLV	Cal kit, EAGLE 2, 34AL cyl H2S/CO/CH4/O2, 34L cyl 15% CO2/N2, dem flow reg, case & tubing	655.00
726-102-P2	816-102-P25-DLV	Cal kit, EAGLE 2, 34AL cyl 100 ppm isobutylene/H2S/CO/CH4/O2/N2, 34AL cyl 25 ppm NH3/N2, dem flow reg, case & tubing	940.00
726-106-03-P2	816-106-03P2DLV	Cal kit, EAGLE 2, 34AL cyl H2S/CO/CH4/O2, 34AL cyl 100 ppm isobutylene/N2, 103L, 2.5% CO2/N2, dem flow reg, case & tubing	920.00
726-106-05-P2	816-106-05P2DLV	Cal kit, EAGLE 2, 34AL cyl H2S/CO/CH4/O2, 34AL cyl 100 ppm isobutylene/N2, 103L, 15% CO2/N2, dem flow reg, case & tubing	920.00
726-109-P2	816-109-P2-DLV	Cal kit, EAGLE 2, 34AL cyl H2S/CO/CH4/O2, 34AL cyl 5 ppm SO2/N2, 34AL, 10 ppm NH3/N2, 34AL 100 ppm isobutylene/air, dem flow reg, two cases & tubing	1,160.00
726-111-30-P2	816-111-30P2DLV	Cal kit, EAGLE 2, 58L 100% vol CH4, 34AL cyl 100 ppm isobutylene/Air, 34AL cyl H2S/CO/CH4/O2/N2, dem flow reg, case & tubing	860.00
726-115-05	816-115-02	Cal kit, EAGLE 2, 34AL cyl H2S/CO/CH4/O2, 103L cyl 50% CH4/N2, 103L, 5000 CO2/N2, dem flow reg, case & tubing	935.00
726-124-P2	816-124-P2	Cal kit, EAGLE 2, 103L cyl CO/CH4/O2/N2, 34AL cyl 100 ppm isobutylene/Air, 34AL cyl 25 ppm NH3/N2, 34AL cyl PH3/N2, dem flow reg, case & tubing	1,415.00
Gas Tracer			
72-0291-51	81-GT51-DLV	Cal kit, Gas Tracer, 34L cyl 500 ppm CH4/Air, humidifier tube, dem flow reg, case & tubing	585.00
72-0291-54	81-GT64-DLV	Cal kit, Gas Tracer, 34L cyl 500 ppm CH4/Air, 34L CO/CH4/O2, humidifier tube, dem flow reg, case & tubing	640.00
72-0291-55	81-GT64-DLV	Cal kit, Gas Tracer, 34L cyl 500 ppm CH4/Air, 34L CO/CH4/O2, humidifier tube, dem flow reg, case & tubing	640.00
72-0291-56	81-GT64-DLV	Cal kit, Gas Tracer, 34L cyl 500 ppm CH4/Air, 34L CO/CH4/O2, humidifier tube, dem flow reg, case & tubing	640.00
72-0291-59	81-GT64-DLV	Cal kit, Gas Tracer, 34L cyl 500 ppm CH4/Air, 34L CO/CH4/O2, humidifier tube, dem flow reg, case & tubing	640.00
72-0291-60	81-GT64-DLV	Cal kit, Gas Tracer, 34L cyl 500 ppm CH4/Air, 34L CO/CH4/O2, humidifier tube, dem flow reg, case & tubing	640.00
72-0291-61	81-GT69	Cal kit, Gas Tracer, 103L steel cyl 500 ppm CH4/Air, 58L steel 100% vol CH4, 103L steel CO/CH4/O2, humidifier tube, dem flow reg, case & tubing	1,070.00

Portable Calibration Kits

Instrument Part #	Cal Kit #	Cal Kit Description	Kit Price
Gas Tracer			
72-0291-64	81-GT64-DLV	Cal kit, Gas Tracer, 34L cyl 500 ppm CH4/Air, 34L CO/CH4/O2, humidifier tube, dem flow reg, case & tubing	640.00
72-0291-65	81-GT69	Cal kit, Gas Tracer, 103L steel cyl 500 ppm CH4/Air, 58L steel 100% vol CH4, 103L steel CO/CH4/O2, humidifier tube, dem flow reg, case & tubing	1,070.00
72-0291-66	81-GT69	Cal kit, Gas Tracer, 103L steel cyl 500 ppm CH4/Air, 58L steel 100% vol CH4, 103L steel CO/CH4/O2, humidifier tube, dem flow reg, case & tubing	1,070.00
72-0291-69	81-GT69	Cal kit, Gas Tracer, 103L steel cyl 500 ppm CH4/Air, 58L steel 100% vol CH4, 103L steel CO/CH4/O2, humidifier tube, dem flow reg, case & tubing	1,070.00
GasWatch2			
72-0007RK	81-GW2X-LV	Cal kit, GW2, 34L cyl 100% N2, reg with gauge & knob, cal cup, case & tubing	325.00
72-0009RK	81-OX07-LV	Cal kit, OX-07, 34L cyl 100% N2, reg with gauge & knob, cal cup, case & tubing	400.00
	81-OX07NG-LV	Cal kit, OX-01, with no gas, reg with gauge & knob, cal cup, case & tubing	345.00
73-0040K	81-GW2C-LV	Cal kit, GW2, 34L cyl CO / N2, reg with gauge & knob, cal cup, case & tubing	325.00
73-0041RK	81-GW2H-LV	Cal kit, GW2, 34AL cyl H2S/N2, reg with gauge & knob, cal cup, case & tubing	400.00
GasWatch3			
72-0012	81-GW3OX	Cal kit, GasWatch 3, N2 100%, 103L steel cyl, regulator, cal cup, case & tubing	365.00
	81-GW3OX-LV	Cal kit, GasWatch 3, N2 100%, 34L cyl, regulator, cal cup, case & tubing	325.00
72-0012-01	81-GW3OX	Cal kit, GasWatch 3, N2 100%, 103L steel cyl, regulator, cal cup, case & tubing	365.00
	81-GW3OX-LV	Cal kit, GasWatch 3, N2 100%, 34L cyl, regulator, cal cup, case & tubing	325.00
72-0015RK	81-OX1	Cal kit, OX-1, 34L cyl 100% N2, reg with gauge & knob, screwdriver, case & tubing	315.00
72-0025	81-GW3CO-LV	Cal kit, GasWatch 3, CO 50 ppm / N2, 34L cyl, regulator, cal cup, case & tubing	325.00
72-0025-01	81-GW3CO-LV	Cal kit, GasWatch 3, CO 50 ppm / N2, 34L cyl, regulator, cal cup, case & tubing	325.00
73-0022	81-GW3HS	Cal kit, GasWatch 3, H2S 25 ppm / N2, 58AL cyl, regulator, cal cup, case & tubing	365.00
	81-GW3HS-LV	Cal kit, GasWatch 3, H2S 25 ppm / N2, 34AL cyl, regulator, cal cup, case & tubing	400.00
73-0022-01	81-GW3HS	Cal kit, GasWatch 3, H2S 25 ppm / N2, 58AL cyl, regulator, cal cup, case & tubing	365.00
	81-GW3HS-LV	Cal kit, GasWatch 3, H2S 25 ppm / N2, 34AL cyl, regulator, cal cup, case & tubing	400.00
73-0023	81-GW3CO	Cal kit, GasWatch 3, CO 50 ppm / N2, 103L steel cyl, regulator, cal cup, case & tubing	365.00
	81-GW3CO-LV	Cal kit, GasWatch 3, CO 50 ppm / N2, 34L cyl, regulator, cal cup, case & tubing	325.00
73-0023-01	81-GW3CO	Cal kit, GasWatch 3, CO 50 ppm / N2, 103L steel cyl, regulator, cal cup, case & tubing	365.00
	81-GW3CO-LV	Cal kit, GasWatch 3, CO 50 ppm / N2, 34L cyl, regulator, cal cup, case & tubing	325.00
73-0025	81-GW3COH-LV	Cal kit, GasWatch 3, CO 50 ppm / N2, 34L, H2 200 ppm / air, 34L, regulator, cal cup, case & tubing	325.00
73-0025-01	81-GW3COH-LV	Cal kit, GasWatch 3, CO 50 ppm / N2, 34L, H2 200 ppm / air, 34L, regulator, cal cup, case & tubing	325.00
GP-01			
72-0076-CH4	81-GP1000-DLV	Cal kit, GP-1000, 34AL 50% CH4 in air, dem flow reg, case & tubing	435.00
72-0076-HC	81-GP1000IBDLV	Cal kit, GP-1000, 34AL 50% isobutane in air, dem flow reg, case & tubing	435.00
72-0077-HC	81-NC1000-DLV	Cal kit, NC-1000, 34AL isobutane 500 ppm in air, dem flow reg, case & tubing	435.00

Portable Calibration Kits

Instrument Part #	Cal Kit #	Cal Kit Description	Kit Price
GX-2001			
72-0229RK	81-GX01HCOIB-LV	Cal kit, GX-2001/GX-2009, 34AL cyl Isobutane/H2S/CO/O2, reg with gauge & knob, cal cap, case & tubing	425.00
	81-GX01HSCO	Cal kit, GX-2001/GX-2009, 58AL cyl Methane/H2S/CO/O2, reg with gauge & knob, cal cap, case & tubing	400.00
	81-GX01HSCO-LV	Cal kit, GX-2001/GX-2009, 34AL cyl Methane/H2S/CO/O2, reg with gauge & knob, cal cap, case & tubing	425.00
	81-GX01HXCO-LV	Cal kit, GX-2001/GX-2009, 34L cyl Hexane/O2/H2S/CO/N2, reg with gauge & knob, cal cap, case & tubing	425.00
	81-GX01HXCO-LV	Cal kit, GX-2001/GX-2009, 34L cyl Hexane/O2/H2S/CO/N2, reg with gauge & knob, cal cap, case & tubing	425.00
72-0230RK	81-GX01IB-LV	Cal kit, GX-2001/GX-2009, 34L cyl Isobutane/air, 34L cyl 100% N2, reg with gauge & knob, cal cap, case & tubing	375.00
72-0231RK	81-GX01CO	Cal kit, GX-2001/GX-2009, 103L steel cyl Methane/CO/O2, reg with gauge & knob, cal cap, case & tubing	360.00
	81-GX01CO-LV	Cal kit, GX-2001/GX-2009, 34L cyl Methane/CO/O2, reg with gauge & knob, cal cap, case & tubing	320.00
72-0232RK	81-GX01HCOIB-LV	Cal kit, GX-2001/GX-2009, 34AL cyl Isobutane/H2S/CO/O2, reg with gauge & knob, cal cap, case & tubing	425.00
	81-GX01HSCO	Cal kit, GX-2001/GX-2009, 58AL cyl Methane/H2S/CO/O2, reg with gauge & knob, cal cap, case & tubing	400.00
	81-GX01HSCO-LV	Cal kit, GX-2001/GX-2009, 34AL cyl Methane/H2S/CO/O2, reg with gauge & knob, cal cap, case & tubing	425.00
	81-GX01HXCO-LV	Cal kit, GX-2001/GX-2009, 34L cyl Hexane/O2/H2S/CO/N2, reg with gauge & knob, cal cap, case & tubing	425.00
72-0233RK	81-GX01HCOIB-LV	Cal kit, GX-2001/GX-2009, 34AL cyl Isobutane/H2S/CO/O2, reg with gauge & knob, cal cap, case & tubing	425.00
	81-GX01HSCO	Cal kit, GX-2001/GX-2009, 58AL cyl Methane/H2S/CO/O2, reg with gauge & knob, cal cap, case & tubing	400.00
	81-GX01HSCO-LV	Cal kit, GX-2001/GX-2009, 34AL cyl Methane/H2S/CO/O2, reg with gauge & knob, cal cap, case & tubing	425.00
	81-GX01HXCO-LV	Cal kit, GX-2001/GX-2009, 34L cyl Hexane/O2/H2S/CO/N2, reg with gauge & knob, cal cap, case & tubing	425.00
GX-2003			
72-0240RK	81-GX03CO	Cal kit, GX-2003/GX-2012, 103L steel cyl CO/CH4/O2 in N2, dem flow reg, case & tubing	455.00
	81-GX03CO-DLV	Cal kit, GX-2003/GX-2012, 34L cyl CO/CH4/O2, dem flow reg, case & tubing	455.00
	81-GX03CO-DLV	Cal kit, GX-2003/GX-2012, 34L cyl CO/CH4/O2, dem flow reg, case & tubing	455.00
	81-GX03CO-LV	Cal kit, GX-2003/GX-2012, 34L cyl CO/CH4/O2 in N2, dispensing valve, gas bag, case & tubing	240.00
72-0241RK	81-GX03CO	Cal kit, GX-2003/GX-2012, 103L steel cyl CO/CH4/O2 in N2, dem flow reg, case & tubing	455.00
	81-GX03CO-DLV	Cal kit, GX-2003/GX-2012, 34L cyl CO/CH4/O2, dem flow reg, case & tubing	455.00
	81-GX03CO-LV	Cal kit, GX-2003/GX-2012, 34L cyl CO/CH4/O2 in N2, dispensing valve, gas bag, case & tubing	240.00

Portable Calibration Kits

Instrument Part #	Cal Kit #	Cal Kit Description	Kit Price
GX-2003			
72-0250RK	81-GX03CO	Cal kit, GX-2003/GX-2012, 103L steel cyl CO/CH4/O2 in N2, dem flow reg, case & tubing	455.00
	81-GX03CO-DLV	Cal kit, GX-2003/GX-2012, 34L cyl CO/CH4/O2, dem flow reg, case & tubing	455.00
	81-GX03CO-LV	Cal kit, GX-2003/GX-2012, 34L cyl CO/CH4/O2 in N2, dispensing valve, gas bag, case & tubing	240.00
72-0251RK	81-GX03CO	Cal kit, GX-2003/GX-2012, 103L steel cyl CO/CH4/O2 in N2, dem flow reg, case & tubing	455.00
	81-GX03CO-DLV	Cal kit, GX-2003/GX-2012, 34L cyl CO/CH4/O2, dem flow reg, case & tubing	455.00
	81-GX03CO-LV	Cal kit, GX-2003/GX-2012, 34L cyl CO/CH4/O2 in N2, dispensing valve, gas bag, case & tubing	240.00
72-0260RK	81-GX03HSCO	Cal kit, GX-2003/GX-2012, 58AL cyl H2S (25 ppm)/CO/CH4/O2, dem flow reg, case & tubing	495.00
	81-GX03HSCO-DLV	Cal kit, GX-2003/GX-2012, 34AL cyl H2S (25 ppm)/CO/CH4/O2, dem flow reg, case & tubing	520.00
	81-GX03HSCO-LV	Cal kit, GX-2003/GX-2012, 34AL cyl H2S (25 ppm)/CO/CH4/O2, reg with gauge & knob, gas bag, case & tubing	435.00
72-0261RK	81-GX03HSCO	Cal kit, GX-2003/GX-2012, 58AL cyl H2S (25 ppm)/CO/CH4/O2, dem flow reg, case & tubing	495.00
	81-GX03HSCO-DLV	Cal kit, GX-2003/GX-2012, 34AL cyl H2S (25 ppm)/CO/CH4/O2, dem flow reg, case & tubing	520.00
	81-GX03HSCO-LV	Cal kit, GX-2003/GX-2012, 34AL cyl H2S (25 ppm)/CO/CH4/O2, reg with gauge & knob, gas bag, case & tubing	435.00
72-0270RK	81-GX03HSCO	Cal kit, GX-2003/GX-2012, 58AL cyl H2S (25 ppm)/CO/CH4/O2, dem flow reg, case & tubing	495.00
	81-GX03HSCO	Cal kit, GX-2003/GX-2012, 58AL cyl H2S (25 ppm)/CO/CH4/O2, dem flow reg, case & tubing	495.00
	81-GX03HSCO-DLV	Cal kit, GX-2003/GX-2012, 34AL cyl H2S (25 ppm)/CO/CH4/O2, dem flow reg, case & tubing	520.00
	81-GX03HSCO-LV	Cal kit, GX-2003/GX-2012, 34AL cyl H2S (25 ppm)/CO/CH4/O2, reg with gauge & knob, gas bag, case & tubing	435.00
72-0271RK	81-GX03HSCO	Cal kit, GX-2003/GX-2012, 58AL cyl H2S (25 ppm)/CO/CH4/O2, dem flow reg, case & tubing	495.00
	81-GX03HSCO	Cal kit, GX-2003/GX-2012, 58AL cyl H2S (25 ppm)/CO/CH4/O2, dem flow reg, case & tubing	495.00
	81-GX03HSCO-DLV	Cal kit, GX-2003/GX-2012, 34AL cyl H2S (25 ppm)/CO/CH4/O2, dem flow reg, case & tubing	520.00
	81-GX03HSCO-LV	Cal kit, GX-2003/GX-2012, 34AL cyl H2S (25 ppm)/CO/CH4/O2, reg with gauge & knob, gas bag, case & tubing	435.00
72-0274RK	81-GX03VHSCO	Cal kit, GX-2003/GX-2012, 58AL cyl H2S (25 ppm)/CO/CH4/O2, 58L 100% vol. CH4, dem flow reg, case & tubing	645.00
	81-GX03VHSCO-LV	Cal kit, GX-2003/GX-2012, 34AL cyl H2S (25 ppm)/CO/CH4/O2, 58L cyl 100% vol. CH4, reg with gauge & knob, disp valve, gas bag, case & tubing	585.00
	81-GX03VHSCODLV	Cal kit, GX-2003/GX-2012, 34AL cyl H2S (25 ppm)/CO/CH4/O2, 58L cyl 100% vol. CH4, 1 dem flow reg, case & tubing	670.00
	81-GX03VHSCODLV	Cal kit, GX-2003/GX-2012, 34AL cyl H2S (25 ppm)/CO/CH4/O2, 58L cyl 100% vol. CH4, 1 dem flow reg, case & tubing	670.00

Portable Calibration Kits

Instrument Part #	Cal Kit #	Cal Kit Description	Kit Price
GX-2003			
72-0275RK	81-GX03VHSCO	Cal kit, GX-2003/GX-2012, 58AL cyl H2S (25 ppm)/CO/CH4/O2, 58L 100% vol. CH4, dem flow reg, case & tubing	645.00
	81-GX03VHSCO-LV	Cal kit, GX-2003/GX-2012, 34AL cyl H2S (25 ppm)/CO/CH4/O2, 58L cyl 100% vol. CH4, reg with gauge & knob, disp valve, gas bag, case & tubing	585.00
	81-GX03VHSCODLV	Cal kit, GX-2003/GX-2012, 34AL cyl H2S (25 ppm)/CO/CH4/O2, 58L cyl 100% vol. CH4, 1 dem flow reg, case & tubing	670.00
72-0280RK	81-GX03VHSCO	Cal kit, GX-2003/GX-2012, 58AL cyl H2S (25 ppm)/CO/CH4/O2, 58L 100% vol. CH4, dem flow reg, case & tubing	645.00
	81-GX03VHSCO-LV	Cal kit, GX-2003/GX-2012, 34AL cyl H2S (25 ppm)/CO/CH4/O2, 58L cyl 100% vol. CH4, reg with gauge & knob, disp valve, gas bag, case & tubing	585.00
	81-GX03VHSCODLV	Cal kit, GX-2003/GX-2012, 34AL cyl H2S (25 ppm)/CO/CH4/O2, 58L cyl 100% vol. CH4, 1 dem flow reg, case & tubing	670.00
72-0281RK	81-GX03VHSCO	Cal kit, GX-2003/GX-2012, 58AL cyl H2S (25 ppm)/CO/CH4/O2, 58L 100% vol. CH4, dem flow reg, case & tubing	645.00
	81-GX03VHSCO-LV	Cal kit, GX-2003/GX-2012, 34AL cyl H2S (25 ppm)/CO/CH4/O2, 58L cyl 100% vol. CH4, reg with gauge & knob, disp valve, gas bag, case & tubing	585.00
	81-GX03VHSCODLV	Cal kit, GX-2003/GX-2012, 34AL cyl H2S (25 ppm)/CO/CH4/O2, 58L cyl 100% vol. CH4, 1 dem flow reg, case & tubing	670.00
GX-2009			
72-0300RK	81-GX01CO	Cal kit, GX-2001/GX-2009, 103L steel cyl Methane/CO/O2, reg with gauge & knob, cal cap, case & tubing	360.00
	81-GX01CO-LV	Cal kit, GX-2001/GX-2009, 34L cyl Methane/CO/O2, reg with gauge & knob, cal cap, case & tubing	320.00
72-0304RK	81-GX01CO	Cal kit, GX-2001/GX-2009, 103L steel cyl Methane/CO/O2, reg with gauge & knob, cal cap, case & tubing	360.00
	81-GX01CO-LV	Cal kit, GX-2001/GX-2009, 34L cyl Methane/CO/O2, reg with gauge & knob, cal cap, case & tubing	320.00
72-0305RK	81-GX01HSCO	Cal kit, GX-2001/GX-2009, 58AL cyl Methane/H2S/CO/O2, reg with gauge & knob, cal cap, case & tubing	400.00
	81-GX01HSCO-LV	Cal kit, GX-2001/GX-2009, 34AL cyl Methane/H2S/CO/O2, reg with gauge & knob, cal cap, case & tubing	425.00
72-0306RK	81-GX01CO	Cal kit, GX-2001/GX-2009, 103L steel cyl Methane/CO/O2, reg with gauge & knob, cal cap, case & tubing	360.00
	81-GX01CO-LV	Cal kit, GX-2001/GX-2009, 34L cyl Methane/CO/O2, reg with gauge & knob, cal cap, case & tubing	320.00
72-0307RK	81-GX01HCOIB-LV	Cal kit, GX-2001/GX-2009, 34AL cyl Isobutane/H2S/CO/O2, reg with gauge & knob, cal cap, case & tubing	425.00
	81-GX01HSCO	Cal kit, GX-2001/GX-2009, 58AL cyl Methane/H2S/CO/O2, reg with gauge & knob, cal cap, case & tubing	400.00
	81-GX01HSCO-LV	Cal kit, GX-2001/GX-2009, 34AL cyl Methane/H2S/CO/O2, reg with gauge & knob, cal cap, case & tubing	425.00
72-0308RK	81-GX01CO	Cal kit, GX-2001/GX-2009, 103L steel cyl Methane/CO/O2, reg with gauge & knob, cal cap, case & tubing	360.00
	81-GX01CO-LV	Cal kit, GX-2001/GX-2009, 34L cyl Methane/CO/O2, reg with gauge & knob, cal cap, case & tubing	320.00
72-0309RK	81-GX01HSCO	Cal kit, GX-2001/GX-2009, 58AL cyl Methane/H2S/CO/O2, reg with gauge & knob, cal cap, case & tubing	400.00
	81-GX01HSCO-LV	Cal kit, GX-2001/GX-2009, 34AL cyl Methane/H2S/CO/O2, reg with gauge & knob, cal cap, case & tubing	425.00

Portable Calibration Kits

Instrument Part #	Cal Kit #	Cal Kit Description	Kit Price
GX-2009			
72-0310RK	81-GX01HCOIB-LV	Cal kit, GX-2001/GX-2009, 34AL cyl Isobutane/H2S/CO/O2, reg with gauge & knob, cal cap, case & tubing	425.00
	81-GX01HSCO	Cal kit, GX-2001/GX-2009, 58AL cyl Methane/H2S/CO/O2, reg with gauge & knob, cal cap, case & tubing	400.00
	81-GX01HSCO-LV	Cal kit, GX-2001/GX-2009, 34AL cyl Methane/H2S/CO/O2, reg with gauge & knob, cal cap, case & tubing	425.00
72-0311RK	81-GX01CO	Cal kit, GX-2001/GX-2009, 103L steel cyl Methane/CO/O2, reg with gauge & knob, cal cap, case & tubing	360.00
	81-GX01CO-LV	Cal kit, GX-2001/GX-2009, 34L cyl Methane/CO/O2, reg with gauge & knob, cal cap, case & tubing	320.00
GX-2009			
72-0312RK	81-GX01HCOIB-LV	Cal kit, GX-2001/GX-2009, 34AL cyl Isobutane/H2S/CO/O2, reg with gauge & knob, cal cap, case & tubing	425.00
	81-GX01HSCO-LV	Cal kit, GX-2001/GX-2009, 34AL cyl Methane/H2S/CO/O2, reg with gauge & knob, cal cap, case & tubing	425.00
72-0312RK72-0312RK72-0312RK72-0312RK	81-GX01HSCO	Cal kit, GX-2001/GX-2009, 58AL cyl Methane/H2S/CO/O2, reg with gauge & knob, cal cap, case & tubing	400.00
72-0313RK	81-GX01HSCO-LV	Cal kit, GX-2001/GX-2009, 34AL cyl Methane/H2S/CO/O2, reg with gauge & knob, cal cap, case & tubing	425.00
	81-GX01HSCO	Cal kit, GX-2001/GX-2009, 58AL cyl Methane/H2S/CO/O2, reg with gauge & knob, cal cap, case & tubing	400.00
72-0314RK	81-GX01HCOIB-LV	Cal kit, GX-2001/GX-2009, 34AL cyl Isobutane/H2S/CO/O2, reg with gauge & knob, cal cap, case & tubing	425.00
	81-GX01HSCO-LV	Cal kit, GX-2001/GX-2009, 34AL cyl Methane/H2S/CO/O2, reg with gauge & knob, cal cap, case & tubing	425.00
	81-GX01HSCO	Cal kit, GX-2001/GX-2009, 58AL cyl Methane/H2S/CO/O2, reg with gauge & knob, cal cap, case & tubing	400.00
72-0316-MSHA	81-GX09CONO2	Cal kit, GX-2009 MSHA, 58AL cyl Methane/NO2/CO/O2, reg with gauge & knob, cal cap, case & tubing	530.00
	81-GX09CONO2-LV	Cal kit, GX-2009 MSHA, 34AL cyl Methane/NO2/CO/O2, reg with gauge & knob, cal cap, case & tubing	510.00
72-0316-MSHA-A	81-GX09CONO2	Cal kit, GX-2009 MSHA, 58AL cyl Methane/NO2/CO/O2, reg with gauge & knob, cal cap, case & tubing	530.00
	81-GX09CONO2-LV	Cal kit, GX-2009 MSHA, 34AL cyl Methane/NO2/CO/O2, reg with gauge & knob, cal cap, case & tubing	510.00
GX-2012			
72-0290-08	81-GX03CO	Cal kit, GX-2003/GX-2012, 103L steel cyl CO/CH4/O2 in N2, dem flow reg, case & tubing	455.00
	81-GX03CO-DLV	Cal kit, GX-2003/GX-2012, 34L cyl CO/CH4/O2, dem flow reg, case & tubing	455.00
	81-GX03CO-LV	Cal kit, GX-2003/GX-2012, 34L cyl CO/CH4/O2 in N2, dispensing valve, gas bag, case & tubing	240.00
72-0290-09	81-GX03HSCO	Cal kit, GX-2003/GX-2012, 58AL cyl H2S (25 ppm)/CO/CH4/O2, dem flow reg, case & tubing	495.00
	81-GX03HSCO-DLV	Cal kit, GX-2003/GX-2012, 34AL cyl H2S (25 ppm)/CO/CH4/O2, dem flow reg, case & tubing	520.00
	81-GX03HSCO-LV	Cal kit, GX-2003/GX-2012, 34AL cyl H2S (25 ppm)/CO/CH4/O2, reg with gauge & knob, gas bag, case & tubing	435.00

Portable Calibration Kits

Instrument Part #	Cal Kit #	Cal Kit Description	Kit Price
GX-2012			
72-0290-10	81-GX03CO	Cal kit, GX-2003/GX-2012, 103L steel cyl CO/CH4/O2 in N2, dem flow reg, case & tubing	455.00
	81-GX03CO-DLV	Cal kit, GX-2003/GX-2012, 34L cyl CO/CH4/O2, dem flow reg, case & tubing	455.00
	81-GX03CO-LV	Cal kit, GX-2003/GX-2012, 34L cyl CO/CH4/O2 in N2, dispensing valve, gas bag, case & tubing	240.00
72-0290-11	81-GX12VCO-DLV	Cal kit, GX-2012, 34L cyl CO/CH4/O2, 34L 50% vol CH4, dem flow reg, case & tubing	510.00
72-0290-12	81-GX03CO	Cal kit, GX-2003/GX-2012, 103L steel cyl CO/CH4/O2 in N2, dem flow reg, case & tubing	455.00
	81-GX03CO-DLV	Cal kit, GX-2003/GX-2012, 34L cyl CO/CH4/O2, dem flow reg, case & tubing	455.00
	81-GX03CO-LV	Cal kit, GX-2003/GX-2012, 34L cyl CO/CH4/O2 in N2, dispensing valve, gas bag, case & tubing	240.00
72-0290-16	81-GX03HSCO	Cal kit, GX-2003/GX-2012, 58AL cyl H2S (25 ppm)/CO/CH4/O2, dem flow reg, case & tubing	495.00
	81-GX03HSCO-DLV	Cal kit, GX-2003/GX-2012, 34AL cyl H2S (25 ppm)/CO/CH4/O2, dem flow reg, case & tubing	520.00
	81-GX03HSCO-LV	Cal kit, GX-2003/GX-2012, 34AL cyl H2S (25 ppm)/CO/CH4/O2, reg with gauge & knob, gas bag, case & tubing	435.00
72-0290-17	81-GX03CO	Cal kit, GX-2003/GX-2012, 103L steel cyl CO/CH4/O2 in N2, dem flow reg, case & tubing	455.00
	81-GX03CO-DLV	Cal kit, GX-2003/GX-2012, 34L cyl CO/CH4/O2, dem flow reg, case & tubing	455.00
	81-GX03CO-LV	Cal kit, GX-2003/GX-2012, 34L cyl CO/CH4/O2 in N2, dispensing valve, gas bag, case & tubing	240.00
72-0290-18	81-GX12VCO-DLV	Cal kit, GX-2012, 34L cyl CO/CH4/O2, 34L 50% vol CH4, dem flow reg, case & tubing	510.00
72-0290-19	81-GX12VCO-DLV	Cal kit, GX-2012, 34L cyl CO/CH4/O2, 34L 50% vol CH4, dem flow reg, case & tubing	510.00
72-0290-22	81-GX03HSCO	Cal kit, GX-2003/GX-2012, 58AL cyl H2S (25 ppm)/CO/CH4/O2, dem flow reg, case & tubing	495.00
	81-GX03HSCO-DLV	Cal kit, GX-2003/GX-2012, 34AL cyl H2S (25 ppm)/CO/CH4/O2, dem flow reg, case & tubing	520.00
	81-GX03HSCO-LV	Cal kit, GX-2003/GX-2012, 34AL cyl H2S (25 ppm)/CO/CH4/O2, reg with gauge & knob, gas bag, case & tubing	435.00
72-0290-23	81-GX12VCO-DLV	Cal kit, GX-2012, 34L cyl CO/CH4/O2, 34L 50% vol CH4, dem flow reg, case & tubing	510.00
72-0290-24	81-GX03VHSCO	Cal kit, GX-2003/GX-2012, 58AL cyl H2S (25 ppm)/CO/CH4/O2, 58L 100% vol. CH4, dem flow reg, case & tubing	645.00
	81-GX03VHSCO-LV	Cal kit, GX-2003/GX-2012, 34AL cyl H2S (25 ppm)/CO/CH4/O2, 58L cyl 100% vol. CH4, reg with gauge & knob, disp valve, gas bag, case & tubing	585.00
	81-GX03VHSCODLV	Cal kit, GX-2003/GX-2012, 34AL cyl H2S (25 ppm)/CO/CH4/O2, 58L cyl 100% vol. CH4, 1 dem flow reg, case & tubing	670.00
72-0290-27	81-GX03VHSCO	Cal kit, GX-2003/GX-2012, 58AL cyl H2S (25 ppm)/CO/CH4/O2, 58L 100% vol. CH4, dem flow reg, case & tubing	645.00
	81-GX03VHSCO-LV	Cal kit, GX-2003/GX-2012, 34AL cyl H2S (25 ppm)/CO/CH4/O2, 58L cyl 100% vol. CH4, reg with gauge & knob, disp valve, gas bag, case & tubing	585.00
	81-GX03VHSCODLV	Cal kit, GX-2003/GX-2012, 34AL cyl H2S (25 ppm)/CO/CH4/O2, 58L cyl 100% vol. CH4, 1 dem flow reg, case & tubing	670.00

Portable Calibration Kits

Instrument Part #	Cal Kit #	Cal Kit Description	Kit Price
GX-3R			
72-RA-C	81-GX3RHSCO	Cal kit, GX-3R or GX-3R Pro, 58AL cyl H2S 25 ppm / CO 50 ppm / CH4 50% LEL / O2 12% in N2, regulator 0.25 LPM, case & tubing	380.00
	81-GX3RHSCO-06		150.00
	81-GX3RHSCO-116	Cal kit, GX-3R or GX-3R Pro, 116AL cyl H2S 25 ppm / CO 50 ppm / CH4 50% LEL / O2 12% in N2, regulator 0.25 LPM, case & tubing	510.00
	81-GX3RHSCO-LV	Cal kit, GX-3R or GX-3R Pro, 34AL cyl H2S 25 ppm / CO 50 ppm / CH4 50% LEL / O2 12% in N2, regulator 0.25 LPM, case & tubing	405.00
	81-GX3RHSCOP-LV	Cal kit, GX-3R or GX-3R Pro, 34AL cyl H2S 25 ppm / CO 50 ppm / Propane 50% LEL / O2 12% in N2, regulator 0.25 LPM, case & tubing	425.00
72-RC-C	81-GX3RCO	Cal kit, GX-3R or GX-3R Pro, 103L steel cyl CO 50 ppm / CH4 50% LEL / O2 12% in N2, regulator 0.25 LPM, case & tubing	340.00
	81-GX3RCO-LV	Cal kit, GX-3R or GX-3R Pro, 34L cyl CO 50 ppm / CH4 50% LEL / O2 12% in N2, regulator 0.25 LPM, case & tubing	300.00
72-RG-C	81-GX3RCO	Cal kit, GX-3R or GX-3R Pro, 103L steel cyl CO 50 ppm / CH4 50% LEL / O2 12% in N2, regulator 0.25 LPM, case & tubing	340.00
	81-GX3RCO-LV	Cal kit, GX-3R or GX-3R Pro, 34L cyl CO 50 ppm / CH4 50% LEL / O2 12% in N2, regulator 0.25 LPM, case & tubing	300.00
	81-GX3RO2H2-LV	Cal kit, GX-3R or GX-3R Pro, 34L steel cyl H2 50% LEL in air, 34L steel cyl N2 100%, regulator with 0.25 LPM, case & tubing	355.00
72-RI-C	81-GX3RCO	Cal kit, GX-3R or GX-3R Pro, 103L steel cyl CO 50 ppm / CH4 50% LEL / O2 12% in N2, regulator 0.25 LPM, case & tubing	340.00
	81-GX3RCO-LV	Cal kit, GX-3R or GX-3R Pro, 34L cyl CO 50 ppm / CH4 50% LEL / O2 12% in N2, regulator 0.25 LPM, case & tubing	300.00
GX-3R Pro			
72-PAB-C	81-PAB	Cal kit, GX-3R Pro, 58AL cyl H2S 25 ppm / CO 50 ppm / CH4 50% LEL / O2 12% in N2, 103L steel cyl 2.5% vol CO2 in N2, regulator 0.25 LPM, case & tubing	530.00
	81-PAB-LV	Cal kit, GX-3R Pro, 34AL cyl H2S 25 ppm / CO 50 ppm / CH4 50% LEL / O2 12% in N2, 34L cyl 2.5% vol CO2 in N2, two regulators 0.25 LPM, case & tubing	490.00
72-PAC-C	81-PAC	Cal kit, GX-3R Pro, 58AL cyl SO2 5 ppm / H2S 25 ppm / CO 50 ppm / CH4 50% LEL / O2 12% in N2, regulator 0.25 LPM, case & tubing	470.00
	81-PAC-LV	Cal kit, GX-3R Pro, 34AL cyl SO2 5 ppm / H2S 25 ppm / CO 50 ppm / CH4 50% LEL / O2 12% in N2, regulator 0.25 LPM, case & tubing	445.00
72-PAE-A	81-PAE-LV	Cal kit, GX-3R Pro, 34AL cyl H2S 25 ppm / CO 50 ppm / CH4 50% LEL / O2 12% in N2, 34AL cyl 10 ppm HCN in N2, regulator 0.25 LPM, case & tubing	715.00
72-PAE-C	81-PAE-LV	Cal kit, GX-3R Pro, 34AL cyl H2S 25 ppm / CO 50 ppm / CH4 50% LEL / O2 12% in N2, 34AL cyl 10 ppm HCN in N2, regulator 0.25 LPM, case & tubing	715.00
72-PAX-A	81-PAX-IBLV	Cal kit, GX-3R Pro, 34AL cyl H2S 25 ppm/CO 50 ppm/isobutane 50% LEL/O2 12% in N2, regulator with .25 LPM, case & tubing	405.00
72-PAX-C	81-GX3RHSCO	Cal kit, GX-3R or GX-3R Pro, 58AL cyl H2S 25 ppm / CO 50 ppm / CH4 50% LEL / O2 12% in N2, regulator 0.25 LPM, case & tubing	380.00
	81-GX3RHSCO-116	Cal kit, GX-3R or GX-3R Pro, 116AL cyl H2S 25 ppm / CO 50 ppm / CH4 50% LEL / O2 12% in N2, regulator 0.25 LPM, case & tubing	510.00
	81-GX3RHSCO-LV	Cal kit, GX-3R or GX-3R Pro, 34AL cyl H2S 25 ppm / CO 50 ppm / CH4 50% LEL / O2 12% in N2, regulator 0.25 LPM, case & tubing	405.00
	81-GX3RHSCOP-LV	Cal kit, GX-3R or GX-3R Pro, 34AL cyl H2S 25 ppm / CO 50 ppm / Propane 50% LEL / O2 12% in N2, regulator 0.25 LPM, case & tubing	425.00
	81-PAX-IBLV	Cal kit, GX-3R Pro, 34AL cyl H2S 25 ppm/CO 50 ppm/isobutane 50% LEL/O2 12% in N2, regulator with .25 LPM, case & tubing	405.00
72-PCX-C	81-PCX-LV	Cal kit, GX-3R Pro, 34AL cyl H2S 25 ppm / CO 50 ppm / CH4 50% LEL / O2 12% in N2, 103L cyl H2 2000 ppm in air, regulator 0.25 LPM, case & tubing	500.00

Portable Calibration Kits

Instrument Part #	Cal Kit #	Cal Kit Description	Kit Price
GX-3R Pro			
72-PED-C	81-PED-LV	Cal kit, GX-3R Pro, 34AL cyl NO2 10 ppm/CO 50 ppm/O2 12% in N2 (7 month shelf life), regulator with .25 LPM, case & tubing	465.00
72-PEG-A	81-PEG-LV	Cal kit, GX-3R Pro, 34L cyl 50% LEL CH4/CO 50 ppm/O2 12% in N2, 34AL 25 ppm NH3 in N2, regulator with .25 LPM, case & tubing	580.00
72-PEG-B	81-PEG-LV	Cal kit, GX-3R Pro, 34L cyl 50% LEL CH4/CO 50 ppm/O2 12% in N2, 34AL 25 ppm NH3 in N2, regulator with .25 LPM, case & tubing	580.00
72-PEG-C	81-PEG-LV	Cal kit, GX-3R Pro, 34L cyl 50% LEL CH4/CO 50 ppm/O2 12% in N2, 34AL 25 ppm NH3 in N2, regulator with .25 LPM, case & tubing	580.00
72-PEG-D	81-PEG-LV	Cal kit, GX-3R Pro, 34L cyl 50% LEL CH4/CO 50 ppm/O2 12% in N2, 34AL 25 ppm NH3 in N2, regulator with .25 LPM, case & tubing	580.00
72-PEG-E	81-PEG-LV	Cal kit, GX-3R Pro, 34L cyl 50% LEL CH4/CO 50 ppm/O2 12% in N2, 34AL 25 ppm NH3 in N2, regulator with .25 LPM, case & tubing	580.00
72-PEG-F	81-PEG-LV	Cal kit, GX-3R Pro, 34L cyl 50% LEL CH4/CO 50 ppm/O2 12% in N2, 34AL 25 ppm NH3 in N2, regulator with .25 LPM, case & tubing	580.00
72-PIX-C	81-GX3RO2H2-LV	Cal kit, GX-3R or GX-3R Pro, 34L steel cyl H2 50% LEL in air, 34L steel cyl N2 100%, regulator with 0.25 LPM, case & tubing	355.00
72-PPA-C	81-PPA	Cal kit, GX-3R Pro, 103L steel cyl 5,000 ppm CO2 in N2, regulator 0.25 LPM, case & tubing	340.00
	81-PPA-LV	Cal kit, GX-3R Pro, 34L cyl 5,000 ppm CO2 in N2, regulator 0.25 LPM, case & tubing	300.00
72-PXB-C	81-PXB	Cal kit, GX-3R Pro, 103L steel cyl 10% CO2 in N2, regulator 0.25 LPM, case & tubing	340.00
GX-6000			
72-6AAX	81-6AAX-DLV	Cal Kit, GX-6000, 34AL cyl 10 ppm isobutylene in air, 34AL cyl H2S/CO/CH4/O2, dem flow reg, case & tubing	710.00
72-6ABI	81-6ABI-DLV	Cal Kit, GX-6000, 34AL cyl 100 ppm Isobutylene/H2S/CO/CH4 LEL/O2, 34AL cyl 5 ppm SO2 in N2, dem flow reg, case, tubing	770.00
72-6ABK	81-6ABK-DLV	Cal Kit, GX-6000, 34AL cyl 100 ppm Isobutylene/H2S/CO/CH4/O2, 34AL cyl 10 ppm NO2 in N2, dem flow reg, case, tubing	890.00
72-6ABL	81-6ABL-DLV	Cal Kit, GX-6000, 34AL cyl 100 ppm Isobutylene/H2S/CO/CH4/O2, 34AL cyl 10 ppm HCN in N2, dem flow reg, case, tubing	910.00
72-6ABX	81-6ABX	Cal Kit, GX-6000, 58AL cyl 100 ppm Isobutylene/H2S/CO/CH4/O2, dem flow reg, case, tubing	685.00
	81-6ABX-DLV	Cal Kit, GX-6000, 34AL cyl 100 ppm Isobutylene/H2S/CO/CH4/O2, dem flow reg, case, tubing	630.00
72-6AIM-X	81-6AIM-DLV	Cal kit, GX-6000, 34AL cyl SO2 5 ppm/H2S 25 ppm/CO 50 ppm/O2 12% in N2, 34AL cyl NH3 25 ppm in N2, demand flow regulator, case & tubing	880.00
72-6API	81-5621RK-DLV	Cal kit, EAGLE/GX-6000, 34AL cyl SO2 5 ppm/H2S 25 ppm/CO 50 ppm/CH4 50% LEL/O2 12% in N2, 34AL cyl 2 ppm Cl2 in N2, two demand flow regulators, screwdriver, case & tubing	1,140.00
72-6APX-C	81-6APX	Cal kit, GX-6000, 58AL cyl 5 ppm Cl2 in N2, 58AL cyl CH4/O2/H2S/CO, dem flow reg, case and tubing	1,180.00
72-6AXX	81-6AXX	Cal kit, GX-6000, 58AL cyl CH4/O2/H2S/CO, dem flow reg, case and tubing	535.00
	81-6AXX-DLV	Cal kit, GX-6000, 34AL cyl CH4/O2/H2S/CO, dem flow reg, case and tubing	560.00
72-6XAX	81-6XAX-DLV	Cal Kit, GX-6000, 34AL cyl 10 ppm isobutylene in air, dem flow reg, case & tubing	550.00
72-6XBX	81-6XBX-DLV	Cal Kit, GX-6000, 34AL cyl 100 ppm isobutylene in air, dem flow reg, case & tubing	550.00

Portable Calibration Kits

Instrument Part #	Cal Kit #	Cal Kit Description	Kit Price
GX-6000			
72-6XZX	81-6XZX	Cal Kit, GX-6000, 58L steel cyl 5 ppm benzene in air, dem flow reg, case & tubing	495.00
	81-6XZX-DLV	Cal Kit, GX-6000, 34AL cyl 5 ppm benzene in air, dem flow reg, case & tubing	530.00
GX-8000			
72-0322RKC	81-5201RKIB-DLV	Cal kit, EAGLE, 34L cyl isobutane/air, 34L 100% N2, dem reg, case & tubing	525.00
72-0323RKC	81-5354RKIB-DLV	Cal kit, EAGLE, 34AL cyl 25 ppm H2S/CO/50% LEL isobutane/O2/N2, dem flow reg, screwdriver, case & tubing	575.00
72-0324RKC	81-5354RKIB-DLV	Cal kit, EAGLE, 34AL cyl 25 ppm H2S/CO/50% LEL isobutane/O2/N2, dem flow reg, screwdriver, case & tubing	575.00
72-0325RKC	81-GX12VCO-DLV	Cal kit, GX-2012, 34L cyl CO/CH4/O2, 34L 50% vol CH4, dem flow reg, case & tubing	510.00
72-0326RKC	81-5354RKIB-DLV	Cal kit, EAGLE, 34AL cyl 25 ppm H2S/CO/50% LEL isobutane/O2/N2, dem flow reg, screwdriver, case & tubing	575.00
RI-413 / RI-85 / RX-415 / RX-516 / RX-517			
73-0569RK	81-RI413R12	Cal kit, RI-413, 17L cyl 2,000 ppm R-12/Air, disp valve, gas bag, screwdriver, case & tubing	295.00
	81-RI413R134	Cal kit, RI-413, 34L cyl 2,000 ppm R-134A/Air, disp valve, gas bag, screwdriver, case & tubing	345.00
73-0569RK-03	81-RI413R134	Cal kit, RI-413, 34L cyl 2,000 ppm R-134A/Air, disp valve, gas bag, screwdriver, case & tubing	345.00
73-0570RK	81-RI85	Cal kit, RI-85, 34L cyl 5, 000 ppm CO2/N2, 34L cyl 100% N2, disp valve, gas bag, case & tubing	295.00
	81-RI85NG-LV	Cal kit, RI-85, no gas, fits two 34AL cylinders, dispensing valve, gas bag, case & tubing	185.00
73-0570RK-05	81-RI85-05	Cal kit, RI-85, 34L cyl 2.5% CO2/N2, 34L cyl 100% N2, disp valve, gas bag, case & tubing	295.00
73-0580RK	81-RI415CH4	Cal kit, RI-415/RX-8000, 34L cyl 50% LEL CH4/Air, 34L cyl 50% vol CH4/Air, disp valve, gas bag, two gas bags, case & tubing	355.00
73-0581RK	81-RI415HC	Cal kit, RI-415/RX-8000, 34L cyl 50% LEL isobutane/Air, 17L cyl 10% vol isobutane/N2, disp valve, two gas bags, case & tubing	345.00
73-0582RK	81-RI415CH4	Cal kit, RI-415/RX-8000, 34L cyl 50% LEL CH4/Air, 34L cyl 50% vol CH4/Air, disp valve, gas bag, two gas bags, case & tubing	355.00
73-0583RK	81-RI415HC	Cal kit, RI-415/RX-8000, 34L cyl 50% LEL isobutane/Air, 17L cyl 10% vol isobutane/N2, disp valve, two gas bags, case & tubing	345.00
73-0590RK	81-RX415HC	Cal kit, RX-415/RX-8000, 34L cyl 50% LEL isobutane/Air, 17L cyl 10% vol isobutane/Air, 34L cyl 100% N2, disp valve, three gas bags, case & tubing	430.00
	81-RX415HCD	Cal kit, RX-415/RX-8000, 34L cyl 50% LEL isobutane/Air, 34L cyl 10% vol isobutane/Air, 34L cyl 100% N2, dem flow reg, case & tubing	555.00
73-0591RK	81-RX415CH4	Cal kit, RX-415/RX-8000, 34L cyl 50% LEL CH4/Air, 34L cyl 50% vol CH4/Air, 34L cyl 100% N2, disp valve, 3 gas bags, case & tubing	440.00
73-0610RK	81-RX515	Cal kit, RX-515, 34AL cyl 50% vol CH4 in N2, 103L steel cyl 15% CO2 in N2, 103L steel cyl CO/CH4/O2, dem flow reg, case & tubing	870.00
	81-RX515-LV	Cal kit, RX-515, 34L cyl 10% vol CH4 in N2, 34L cyl 50% LEL CH4 in Air, 34L cyl 100 ppm CO in N2, 34L cyl 15% CO2 in N2, dispensing valve, three gas bags, case & tubing	625.00
73-0611RK	81-RX516-LV	Cal kit, RX-516, 17L cyl 10% vol isobutane in N2, 34AL cyl 50 ppm H2S/50% LEL isobutane in N2, reg with gauge & knob, disp valve, two gas bags, case & tubing	565.00
	81-RX517-LV	Cal kit, RX-517, 34L cyl 50 ppm H2S/50% LEL isobutane in N2, 17L cyl 10% vol isobutane/N2, disp valve, 6 LPM regulator, two gas bags, case & tubing	565.00

Portable Calibration Kits

Instrument Part #	Cal Kit #	Cal Kit Description	Kit Price
RI-413 / RI-85 / RX-415 / RX-516 / RX-517			
73-0612RK	81-RX517-DLV	Cal kit, RX-517, 34L cyl 50 ppm H2S/50% LEL isobutane in N2, 17L cyl 10% vol isobutane/N2, two demand flow regs, case & tubing	875.00
	81-RX517-LV	Cal kit, RX-517, 34L cyl 50 ppm H2S/50% LEL isobutane in N2, 17L cyl 10% vol isobutane/N2, disp valve, 6 LPM regulator, two gas bags, case & tubing	565.00
	81-RX517RK	Cal kit, RX-517, 58AL cyl 50 ppm H2S/50% LEL isobutane in N2, 17L cyl 10% vol isobutane in N2, two demand flow regulators, case & tubing	890.00
	81-RX517RKNG	Cal kit, RX-517, two dem flow regs, screwdriver, case for 58AL / 103L steel cylinders & tubing (No Gas)	625.00
73-0615	81-RX415CH4	Cal kit, RX-415/RX-8000, 34L cyl 50% LEL CH4/Air, 34L cyl 50% vol CH4/Air, 34L cyl 100% N2, disp valve, 3 gas bags, case & tubing	440.00
73-0616	81-RX415HCD	Cal kit, RX-415/RX-8000, 34L cyl 50% LEL isobutane/Air, 34L cyl 10% vol isobutane/Air, 34L cyl 100% N2, dem flow reg, case & tubing	555.00
73-0617	81-RI415CH4	Cal kit, RI-415/RX-8000, 34L cyl 50% LEL CH4/Air, 34L cyl 50% vol CH4/Air, disp valve, gas bag, two gas bags, case & tubing	355.00
73-0618	81-RI415HC	Cal kit, RI-415/RX-8000, 34L cyl 50% LEL isobutane/Air, 17L cyl 10% vol isobutane/N2, disp valve, two gas bags, case & tubing	345.00
SC-01			
73-0050RK-ASH3	81-SC01ASH3	Cal kit, SC-01, 58AL cyl 0.5 ppm PH3/N2, reg with gauge & knob, cal cup, case & tubing	615.00
	81-SC01ASH3-LV	Cal kit, SC-01, 34AL cyl 0.5 ppm PH3/N2, reg with gauge & knob, cal cup, case & tubing	635.00
73-0050RK-CL2	81-SC01CL2	Cal kit, SC-01, 58AL cyl 2 ppm Cl2/N2, reg with gauge & knob, cal cup, case & tubing	660.00
	81-SC01CL2-LV	Cal kit, SC-01, 34AL cyl 2 ppm Cl2/N2, reg with gauge & knob, cal cup, case & tubing	600.00
73-0050RK-CO	81-SC01CO	Cal kit, SC-01, 103L steel cyl 50 ppm CO/N2, reg with gauge & knob, cal cup, case & tubing	440.00
	81-SC01CO-LV	Cal kit, SC-01, 34L cyl 50 ppm CO/N2, reg with gauge & knob, cal cup, case & tubing	345.00
73-0050RK-H2S	81-SC01H2S	Cal kit, SC-01, 58AL cyl 25 ppm H2S/N2, reg with gauge & knob, cal cup, case & tubing	440.00
	81-SC01H2S-LV	Cal kit, SC-01, 34AL cyl 25 ppm H2S/N2, reg with gauge & knob, cal cup, case & tubing	475.00
73-0050RK-HCN	81-SC01HCN	Cal kit, SC-01, 58AL cyl 10 ppm HCN/N2, reg with gauge & knob, cal cup, case & tubing	615.00
	81-SC01HCN-LV	Cal kit, SC-01, 34AL cyl 10 ppm HCN/N2, reg with gauge & knob, cal cup, case & tubing	655.00
73-0050RK-NH3	81-SC01NH3	Cal kit, SC-01, 58AL cyl 25 ppm NH3/N2, reg with gauge & knob, cal cup, case & tubing	620.00
	81-SC01NH3-LV	Cal kit, SC-01, 34AL cyl 25 ppm NH3/N2, reg with gauge & knob, cal cup, case & tubing	660.00
73-0050RK-PH3	81-SC01PH3-LV	Cal kit, SC-01, 34AL cyl 0.5 ppm PH3/N2, reg with gauge & knob, cal cup, case & tubing	635.00
73-0050RK-SO2	81-SC01SO2	Cal kit, SC-01, 58AL cyl 5 ppm SO2/N2, reg with gauge & knob, cal cup, case & tubing	475.00
	81-SC01SO2-LV	Cal kit, SC-01, 34AL cyl 5 ppm SO2/N2, reg with gauge & knob, cal cup, case & tubing	485.00
73-0052-ASH3	81-5107RKS-LV	Cal kit, EAGLE, 34AL cyl PH3/N2, 34L cyl N2 100%, reg, gas bag, screwdriver, case & tubing	760.00
73-0052-CL2	81-5106RK-DLV	Cal kit, EAGLE, 34AL cyl 2 ppm Chlorine/N2, dem reg, screwdriver, case & tubing	660.00

Portable Calibration Kits

Instrument Part #	Cal Kit #	Cal Kit Description	Kit Price
SC-01			
73-0052-CO	81-5104RK-LV	Cal kit, EAGLE, 34L cyl 50 ppm Carbon Monoxide/Air, disp valve, gas bag, case & tubing	240.00
73-0052-F2	81-5106RK-DLV	Cal kit, EAGLE, 34AL cyl 2 ppm Chlorine/N2, dem reg, screwdriver, case & tubing	660.00
73-0052-H2O2	81-SC8000-H2O2		655.00
73-0052-HBR	81-5106RK-DLV	Cal kit, EAGLE, 34AL cyl 2 ppm Chlorine/N2, dem reg, screwdriver, case & tubing	660.00
73-0052-HCL	81-5110RK	Cal kit, EAGLE, 58AL cyl 5 ppm Hydrogen Chloride/N2, reg, gas bag,screwdriver, case & tubing	560.00
73-0052-HCN	81-5123RK-DLV	Cal kit, EAGLE, 34AL cyl 10 ppm Hydrogen Cyanide/N2, dem reg, screwdriver, case & tubing	620.00
73-0052-HF	81-5106RK-DLV	Cal kit, EAGLE, 34AL cyl 2 ppm Chlorine/N2, dem reg, screwdriver, case & tubing	660.00
73-0052-NH3	81-5111RK-DLV	Cal kit, EAGLE, 34AL cyl 10 ppm Ammonia/N2, dem reg, screwdriver, case & tubing	720.00
73-0052-NO2	81-5114RK-LV	Cal kit, EAGLE, 34AL cyl 10 ppm Nitrogen Dioxide/Air, reg with gauge & knob, screwdriver, case & tubing	575.00
73-0052-PH3	81-5108RK-DLV	Cal kit, EAGLE, 34AL cyl 0.5 ppm Phosphine/N2, dem reg, screwdriver, case & tubing	690.00
73-0052-SO2	81-5105RK-LV	Cal kit, EAGLE, 34AL cyl 5 ppm SO2/N2, reg, gas bag, screwdriver, case & tubing	430.00
SC-8000			
73-0052-ASH3	81-5107RKS-LV	Cal kit, EAGLE, 34AL cyl PH3/N2, 34L cyl N2 100%, reg, gas bag, screwdriver, case & tubing	760.00
73-0052-CL2	81-5106RK-DLV	Cal kit, EAGLE, 34AL cyl 2 ppm Chlorine/N2, dem reg, screwdriver, case & tubing	660.00
73-0052-CO	81-5104RK-LV	Cal kit, EAGLE, 34L cyl 50 ppm Carbon Monoxide/Air, disp valve, gas bag, case & tubing	240.00
73-0052-F2	81-5106RK-DLV	Cal kit, EAGLE, 34AL cyl 2 ppm Chlorine/N2, dem reg, screwdriver, case & tubing	660.00
73-0052-H2O2	81-SC8000-H2O2		655.00
73-0052-HBR	81-5106RK-DLV	Cal kit, EAGLE, 34AL cyl 2 ppm Chlorine/N2, dem reg, screwdriver, case & tubing	660.00
73-0052-HCL	81-5110RK	Cal kit, EAGLE, 58AL cyl 5 ppm Hydrogen Chloride/N2, reg, gas bag,screwdriver, case & tubing	560.00
73-0052-HCN	81-5123RK-DLV	Cal kit, EAGLE, 34AL cyl 10 ppm Hydrogen Cyanide/N2, dem reg, screwdriver, case & tubing	620.00
73-0052-HF	81-5106RK-DLV	Cal kit, EAGLE, 34AL cyl 2 ppm Chlorine/N2, dem reg, screwdriver, case & tubing	660.00
73-0052-NH3	81-5111RK-DLV	Cal kit, EAGLE, 34AL cyl 10 ppm Ammonia/N2, dem reg, screwdriver, case & tubing	720.00
73-0052-NO2	81-5114RK-LV	Cal kit, EAGLE, 34AL cyl 10 ppm Nitrogen Dioxide/Air, reg with gauge & knob, screwdriver, case & tubing	575.00
73-0052-PH3	81-5108RK-DLV	Cal kit, EAGLE, 34AL cyl 0.5 ppm Phosphine/N2, dem reg, screwdriver, case & tubing	690.00
73-0052-SO2	81-5105RK-LV	Cal kit, EAGLE, 34AL cyl 5 ppm SO2/N2, reg, gas bag, screwdriver, case & tubing	430.00

Portable Calibration Kits

Technical Services

Field Service Rates

RKI Instruments offers the following rates for servicing our equipment at the customer's site. Field service rates apply to start-up, calibration, troubleshooting, and training. RKI Instruments offers service agreements that provide substantial savings for routine maintenance and calibration.



Please contact RKI Instruments for further details and pricing.

Regular Hourly Rate (90-F-HOUR)

\$135.00 per person per hour, two hour minimum. These rates apply Monday through Friday (except holidays), 8:00 am to 5:00 pm, scheduled 24 hours in advance. Overtime rate is \$175.00 per hour.

Daily Rate (90-F-DAY)

\$850.00 per person per day for up to eight hours. These rates apply Monday through Friday (except holidays) 8:00 am to 5:00 pm, scheduled 24 hours in advance. Overtime rate is \$175.00 per hour.

Weekend, Evening, & Emergency

\$1,200.00 per person per day for eight hours (or \$175.00 per hour; two hour minimum billing). Overtime rate is \$175.00 per hour. These rates apply to service that must be started with less than 24 hour advance scheduling and for work performed on holidays. Consult RKI Instruments before scheduling.

Other Charges

Parts and materials used in field service are charged according to current RKI list price. Travel time within 100 miles of RKI Instruments is billed from portal to portal at our standard field hourly rate. Travel greater than 100 miles from RKI is billed at our standard field hourly rate plus mileage at \$ 0.55 per mile. Other travel expenses, including airfare, ground transportation, meals and lodging will be billed as actual when applicable.

Please Note

All field service work should be scheduled with as much advance notice as possible.

Online Service Order Form

All items returned for service must be accompanied by a completed Service Order Form. To expedite the service process, online service order forms can be filled and directly submitted to RKI's service center. Simply type the following address into any web browser.

<http://www.rkiinstruments.com/pages/repairform.htm>

A copy of the form also follows this section. Please follow the instructions on the form. Incomplete or missing forms may cause delays in the service process.

Factory Repair Charges

Description

Minimum billing for any service	125.00
91-R-LABOR Hourly factory service labor rate	125.00
91-R3-XFEE Expedite Fee - 3 day turn around (additional charge, contact RKI Service for authorization).	
Instrument conversions are not available for expedited service).....	125.00

Instruments returned unrepaired will incur an estimate fee of \$125.00 per instrument plus shipping. If unit is repaired, this estimate amount will be applied to the total repair charge.

Factory Training Charges (On-site)

On-site training at your facility or at RKI Instruments can be provided at our daily rate of \$850.00 per day. All travel and living expenses will be billed as actual for all training provided at customer's facilities. Training binders will be provided at \$75.00 each.

Fixed Systems Turnkey Services

RKI provides a complete package of fixed systems gas detection — wired and wire-free.

Offering site assessments, design, construction, start-up, installation, system maintenance, and comprehensive training. RKI is a turnkey provider of innovative fixed monitoring systems. Call for estimates.

Technical Services

Calibration and EAGLE Upgrade Services

Many instruments are sent to us for just a general checkup and calibration. If no additional repair work, extra parts or sensors are required to perform this service, then RKI's calibration services can apply. In this case, if you send a "not to exceed" purchase order to RKI along with the instrument, your repair time will be expedited. Using standard calibration and Eagle upgrade services eliminates the need for the service department to obtain an approval, which gets your service order back to you much faster.

Please remember to always complete an RKI Service Order Form with every repair, even for standard calibration services. This form can be found on RKI's web site, or one can be faxed or emailed to you.

STEPS FOR CALIBRATION AND UPGRADE ORDERS:

1. Select the appropriate calibration services for your instrument model from the *Services For Portable Instruments* or *Eagle Upgrades* sections.
2. Complete an RKI Repair Form specifying your service, a "not to exceed" figure, and a purchase order number.
3. Return instrument to RKI with the completed Service Order Form.
4. RKI will complete the service indicated and promptly return it to you, as long as no other parts or repair work are required.

If additional parts or service work are required that exceeds your "not to exceed" amount, then RKI will create an estimate for your approval. You may then either give authorization to RKI to add the additional charges to the original PO, or supply a new PO to cover the new total costs. If you know that certain parts or sensors will be required prior to sending the instrument to us, you can also expedite the service by including the cost of those sensors or parts on the original purchase order sent to us with the instrument.

Services For Portable Instruments

Select the appropriate service for your instrument model from the list below. Complete an RKI Service Order Form indicating service required, a "not to exceed" figure, and a purchase order number. Return instrument to RKI with the completed Service Order Form. Prices include inspection, testing, cleaning and calibration. These prices assume that no additional sensor replacement, parts or labor is required. If an instrument is extremely dirty, requires replacement parts, sensors or additional labor, an estimate will be provided documenting additional work required.

Calibration certificate is included with every instrument repair.

Part#	Description	Suggested Retail
91-C-LVL1	Level 1 service - inspect, service, and calibration of the following instruments: 04 Series, 03 Series, GasWatch 3, GasWatch 2, GP-01, OX-01, HS-01, CO-01, GP-204, NP-204, & SC-01	125.00
91-C-LVL2	Level 2 service - inspect, service, and calibration of the following instruments: GX-3R, GX-3R Pro, GX-2009, GX-Force, GX-2012, GX-6000 (4 gas, PID only, or toxic only), Gas Tracer, GX-2001, GX-2003, GX-94, GX-82A, GX-86A, SP-205ASC, GX-85N, NP-85, GP-226, RI-415, RX-415, GX-8000, RX-8000, & PS 2 ...	165.00
91-C-LVL3	Level 3 service - inspect, service, and calibration of the following instruments: GX-6000 (4 gas + PID/toxic), RX-516, RX-517, RI-413, GD-K88Ai, GD-70D, GD-K7D2, GD-K77D, SC-1, SC-8000, SP-220	210.00
91-C-LVL4	Level 4 service - inspect, service, and calibration of the following instruments: FP-30, FP-40, FP-31	290.00
91-C-LVL5	Level 4 service - inspect, service, and calibration of the following instruments: FP-300, FP-301, FP-330 ...	390.00

Services For EAGLE & EAGLE 2

Based on the EAGLE or EAGLE 2 configurations, the following services are available. Each EAGLE/EAGLE 2 service level includes disassembly/reassembly, cleaning inside/out, flow system examination for proper flow and pump shut off points, and calibration.

Part#	Description	Suggested Retail
91-C-ELVL1	Level 1 service for any EAGLE with 1 to 4 gas sensors including (LEL/O2/H2S/CO) or any single gas toxic / PID / TC / IR sensor	180.00
91-C-ELVL2	Level 2 service for any EAGLE with 2 super toxic / PID / TC / IR sensors only or 1 super toxic / PID / TC / IR sensor plus any 1 to 4 gas sensors including (LEL/O2/H2S/CO)	225.00
91-C-ELVL3	Level 3 service for any EAGLE with 2 or more super toxic / PID / TC / IR sensors plus any 1 to 4 gas sensors including (LEL/O2/H2S/CO)	270.00

Technical Services

Upgrades

For EAGLE OR EAGLE 2 upgrades adding super toxic sensors, contact RKI Applications Department to confirm that the gas combination you need is practical. Or find the part number for the version you want in the EAGLE section of this price list to confirm it is a viable combination. **Eagle upgrades are not eligible for the expedite program.**

Please use the following guidelines for quoting and handling EAGLE upgrades from one configuration to another.

The pricing below includes all parts, calibration, and labor required to convert an EAGLE that is complete and in good working order, and that does not need any additional repairs, parts or sensors replaced. If additional parts, sensors or labor is required an estimate will be provided. Approval of the estimate is required before upgrade can be completed.

For upgrades that include adding super toxic channels, the part number utilizes a suffix to indicate the specific super toxic gas being added. For example, to add a chlorine channel to an EAGLE, the upgrade part number would be 91-1000-CL2. To add 2 super toxic channels, use a separate line item for each channel. Specify the 91-1000-XXX part number for each new channel and total each individual price.

EAGLE 1 Upgrades

Part#	Description	Suggested Retail
78-ENGINEER	Engineering fee for conversions to non standard EAGLE Versions	200.00
91-1000-01	Adding a super toxic sensor to EAGLE if instrument has existing super toxic sensor	1,300.00
91-1000-XXX	Adding a super toxic sensor to EAGLE	1,300.00
91-1001	Adding a 0 - 100% LEL (IR) CH4 sensor to EAGLE	1,300.00
91-1001-01	Adding a 0 - 100% LEL (IR) CH4 sensor to EAGLE if instrument has existing IR sensor	1,300.00
91-1002	Adding a 0 - 100% Vol CH4 sensor to EAGLE.....	1,300.00
91-1002-01	Adding a 0 - 100% Vol CH4 sensor to EAGLE if instrument has existing IR sensor	1,300.00
91-1003	Adding CO2 0 - 5,000 / 10,000 ppm to EAGLE	1,300.00
91-1003-01	Adding CO2 0 - 5,000 / 10,000 ppm to EAGLE if instrument has existing IR sensor	1,300.00
91-1004	Adding CO2 0 - 5% to EAGLE	1,300.00
91-1004-01	Adding CO2 0 - 5% to EAGLE if instrument has existing IR sensor	1,300.00
91-1005	Adding CO2 0 - 20% / 0 - 60% Vol to EAGLE	1,300.00
91-1005-01	Adding CO2 0 - 20% / 0 - 60% Vol to EAGLE if instrument has existing IR sensor	1,300.00
91-1006	Changing from one Super Toxic gas type to another	950.00
91-1007	Changing from 2 gas flow chamber to 4 gas flow chamber (sensors not included)	380.00

EAGLE 2 Upgrades

Part#	Description	Suggested Retail
78-ENGINEER	Engineering fee for conversions to non standard EAGLE Versions	200.00
91-1025	Adding Low Range PID to EAGLE 2	1,950.00
91-1026	Adding High Range PID to EAGLE 2	1,650.00
91-1027	Adding 10,000ppm IR CO2 sensor to EAGLE 2	1,200.00
91-1028	Adding 5% IR CO2 sensor to EAGLE 2	1,200.00
91-1029	Adding 60% IR CO2 sensor to EAGLE 2	1,200.00
91-1030	Adding IR CH4 sensor to EAGLE 2	1,200.00
91-1031	Adding IR HC sensor to EAGLE 2	1,200.00
91-1032	Adding TC CH4 sensor to EAGLE 2.....	750.00
91-1033	Adding TC H2 sensor to EAGLE 2	750.00
91-1034	Adding ESM-01 sensor to EAGLE 2	700.00
91-1035	Adding standard 4 gas block & sensors to EAGLE 2	1,200.00

Notes

Fixed Systems Controllers

Beacon 110 Single Channel Wall Mount Controller



ORDERING INFORMATION: When ordering a Beacon 110 system, please specify the following components:

- 1) Controller - Be sure to order correct -01, -02, or -03 version if intended to be used with a standby battery or if a strobe light is needed.
- 2) Detector Assembly (one only)
- 3) Battery back-up assembly if Beacon 110 with battery charger is ordered
 - 49-8103RK 1.2 AH battery assembly
 - 49-8104RK 12 AH battery assembly

Note

The Beacon 110 can accept direct connect sensors for LEL combustibles, Oxygen, Hydrogen Sulfide, and Carbon Monoxide as well as a few other gases (see Direct Connect Sensor section for a complete listing on page 150). The Beacon 110 can also accept any 4-20 mA transmitter.

Controller Selection

Part#	Description	Suggested Retail
72-2110RK	Beacon 110, single channel controller (no sensor)	1,275.00
72-2110RK-01	Beacon 110, single channel controller with battery charger (no sensor or back-up battery)	1,325.00
72-2110RK-02	Beacon 110, single channel controller with small red strobe light (no sensor)	1,425.00
72-2110RK-03	Beacon 110, single channel controller with battery charger and small red strobe light (no sensor or back-up battery)	1,500.00
72-2110RK-05	Beacon 110, single channel controller with horn and small red strobe light (no sensor)	1,500.00
72-2110RK-07	Beacon 110, single channel controller with battery charger, horn, and small red strobe light (no sensor)	1,550.00

Detector Assemblies Selection

Refer to detector assembly sections for complete listing

Direct Connect	Sensors with or without junction boxes, that connect directly to a controller (no transmitter)	page 150
S2 Series	Sensor / transmitter with explosion proof or non explosion proof junction box (no display)	page 156
M2A-XL Series	Stand alone explosion proof transmitter, CAT/IR/EC sensors,digital display, CSA	page 161
T2A Series	2-Wire explosion proof transmitter, EC sensors, display	page 167
T3A Series	3-Wire explosion proof transmitter, CAT/IR/EC/PID sensors, display	page 170
VOC Pro	PID explosion proof transmitter, four PID sensor options, display	page 173
Air Alert	Stand-alone, non explosion proof transmitter, 3-color alarm LEDs and buzzer, or with relays	page 175
SD-1	Explosion proof transmitter, CAT/EC/IR/MOS/Galvanic sensors, display, HART & SIL2 options	page 180
M-Series	Low cost sensor / transmitter for H2S or CO, non explosion proof	page 209
35-3001	Sample draw detector assembly in NEMA 4X enclosure	page 210
35-3010	Sample draw, multi-sensor detector assembly in NEMA 4X enclosure	page 212
GD-70D	Sample draw transmitter, EC/MOS/CAT smart sensors, common components, display	page 185
GD-K88Ai	Diffusion transmitter with EC sensors, long sensor life, non explosion proof, display	page 189
MPS Sensor	MPS LEL Variable Combustible Gas Sensor (Molecular Property Spectrometer)	page 166

Refer to Legacy Products section for the following detector assemblies

S-Series	Sensor / transmitter with explosion proof junction box (no display) (old style)	page 222
----------	---	----------

Battery Back-up Assembly Selection

Part#	Description	Suggested Retail
49-8103RK	Standby battery assembly, 24 VDC, 1.2 AMP hours, for Beacon 110 and Beacon 200	280.00
49-8104RK	Standby battery assembly, 24 VDC, 12 AMP hours, for Beacon 110, Beacon 200, Beacon 410A, Beacon 800, & Beacon 3200	480.00

Replacement Parts & Accessories

For a complete listing of replacement parts and accessories see page 229.

Notes

- Fixed system pricing is for equipment only and does not include factory start-up or training. Please contact RKI for quotation if factory start-up or training is needed.
- Please contact RKI if you would like assistance with pricing or configuring a system quotation.
- A calibration test kit is a strongly recommended accessory for all fixed systems.
- Legacy products are still available.

Fixed Systems Controllers

Beacon 200 Two Channel Wall Mount Controller



ORDERING INFORMATION: When ordering a Beacon 200 system, please specify the following components:

- 1) Controller
- 2) Detector Assembly (up to 2)
- 3) Battery back-up assembly if required
 - 49-8103RK 1.2 AH battery assembly
 - 49-8104RK 12 AH battery assembly

Note

The Beacon 200 can accept direct connect sensors for LEL combustibles, Oxygen, Hydrogen Sulfide, and Carbon Monoxide as well as a few other gases (see Direct Connect Sensor section for a complete listing on page 150). The Beacon 200 can also accept any 4-20 mA transmitter.

Controller Selection

Part#	Description	Suggested Retail
72-2102RK	Beacon 200, two channel controller, 115/220 VAC (no sensors)	2,500.00
72-2102-08	Beacon 200, two channel controller, 115/220 VAC, with small red strobe light (uses common alarm 1 relay contact for strobe) (no sensors)	2,650.00
72-2102-H2-01	Beacon 200, two channel controller, 115/220 VAC, for one H2 specific channel and one standard channel	2,600.00
72-2102-H2-02	Beacon 200, two channel controller, 115/220 VAC, for two H2 specific channels	2,600.00

Detector Assemblies Selection

Refer to detector assembly sections for complete listing

Direct Connect	Sensors with or without junction boxes, that connect directly to a controller (no transmitter)	page 150
S2 Series	Sensor / transmitter with explosion proof or non explosion proof junction box (no display)	page 156
M2A-XL Series	Stand alone explosion proof transmitter, CAT/IR/EC sensors,digital display, CSA	page 161
T2A Series	2-Wire explosion proof transmitter, EC sensors, display	page 167
T3A Series	3-Wire explosion proof transmitter, CAT/IR/EC/PID sensors, display	page 170
VOC Pro	PID explosion proof transmitter, four PID sensor options, display	page 173
Air Alert	Stand-alone, non explosion proof transmitter, 3-color alarm LEDs and buzzer, or with relays	page 175
SD-1	Explosion proof transmitter, CAT/EC/IR/MOS/Galvanic sensors, display, HART & SIL2 options	page 180
M-Series	Low cost sensor / transmitter for H2S or CO, non explosion proof	page 209
35-3001	Sample draw detector assembly in NEMA 4X enclosure	page 210
35-3010	Sample draw, multi-sensor detector assembly in NEMA 4X enclosure	page 212
GD-70D	Sample draw transmitter, EC/MOS/CAT smart sensors, common components, display.....	page 185
GD-K88Ai	Diffusion transmitter with EC sensors, long sensor life, non explosion proof, display	page 189
MPS Sensor	MPS LEL Variable Combustible Gas Sensor (Molecular Property Spectrometer)	page 166

Refer to Legacy Products section for the following detector assemblies

S-Series	Sensor / transmitter with explosion proof junction box (no display) (old style)	page 222
----------	---	----------

Battery Back-up Assembly Selection

Part#	Description	Suggested Retail
49-8103RK	Standby battery assembly, 24 VDC, 1.2 AMP hours, for Beacon 110 and Beacon 200	280.00
49-8104RK	Standby battery assembly, 24 VDC, 12 AMP hours, for Beacon 110, Beacon 200, Beacon 410A, Beacon 800, & Beacon 3200	480.00

Replacement Parts & Accessories

For a complete listing of replacement parts and accessories see page 229.

Notes

- Fixed system pricing is for equipment only and does not include factory start-up or training. Please contact RKI for quotation if factory start-up or training is needed.
- Please contact RKI if you would like assistance with pricing or configuring a system quotation.
- A calibration test kit is a strongly recommended accessory for all fixed systems.
- Legacy products are still available.

Fixed Systems Controllers

Beacon 410A Four Channel Wall Mount Controller



ORDERING INFORMATION: When ordering a Beacon 410A system, please specify the following components:

- 1) Controller - Be sure to order correct -01, -02, or -03 version if intended to be used with a standby battery or if a strobe light is needed.
- 2) Detector Assemblies (up to 4)
- 3) Battery back-up assembly if Beacon 410A with battery charger is ordered
49-8104RK 12 AH battery assembly

Note

The Beacon 410A can accept direct connect sensors for LEL combustibles (catalytic or IR sensor), Oxygen, Hydrogen Sulfide, Carbon Monoxide, and Carbon Dioxide as well as a few other gases (see Direct Connect Sensor section for a complete listing on page 150). The Beacon 410A can also accept any 4-20 mA transmitter.

Controller Selection

Part#	Description	Suggested Retail
72-2104A	Beacon 410A, four channel controller (no sensor)	2,825.00
72-2104A-01	Beacon 410A, four channel controller with battery charger (no sensors or back-up battery)	2,875.00
72-2104A-13R	Beacon 410A, four channel controller with large red strobe light (no sensor)	3,175.00
72-2104A-14R	Beacon 410A, four channel controller with terminals for battery charger, large red strobe light (no sensors or back-up battery)	3,275.00

Detector Assemblies Selection

Refer to detector assembly sections for complete listing

Direct Connect	Sensors with or without junction boxes, that connect directly to a controller (no transmitter)	page 150
S2 Series	Sensor / transmitter with explosion proof or non explosion proof junction box (no display)	page 156
M2A-XL Series	Stand alone explosion proof transmitter, CAT/IR/EC sensors,digital display, CSA	page 161
T2A Series	2-Wire explosion proof transmitter, EC sensors, display	page 167
T3A Series	3-Wire explosion proof transmitter, CAT/IR/EC/PID sensors, display	page 170
VOC Pro	PID explosion proof transmitter, four PID sensor options, display	page 173
Air Alert	Stand-alone, non explosion proof transmitter, 3-color alarm LEDs and buzzer, or with relays	page 175
SD-1	Explosion proof transmitter, CAT/EC/IR/MOS/Galvanic sensors, display, HART & SIL2 options	page 180
M-Series	Low cost sensor / transmitter for H2S or CO, non explosion proof	page 209
35-3001	Sample draw detector assembly in NEMA 4X enclosure	page 210
35-3010	Sample draw, multi-sensor detector assembly in NEMA 4X enclosure	page 212
GD-70D	Sample draw transmitter, EC/MOS/CAT smart sensors, common components, display	page 185
GD-K88Ai	Diffusion transmitter with EC sensors, long sensor life, non explosion proof, display	page 189
MPS Sensor	MPS LEL Variable Combustible Gas Sensor (Molecular Property Spectrometer)	page 166

Refer to Legacy Products section for the following detector assemblies

S-Series	Sensor / transmitter with explosion proof junction box (no display) (old style)	page 222
----------	---	----------

Battery Back-up Assembly Selection

Part#	Description	Suggested Retail
49-8104RK	Standby battery assembly, 24 VDC, 12 AMP hours, for Beacon 110, Beacon 200, Beacon 410A, Beacon 800, & Beacon 3200	480.00

Replacement Parts & Accessories

For a complete listing of replacement parts and accessories see page 229.

Notes

- Fixed system pricing is for equipment only and does not include factory start-up or training. Please contact RKI for quotation if factory start-up or training is needed.
- Please contact RKI if you would like assistance with pricing or configuring a system quotation.
- A calibration test kit is a strongly recommended accessory for all fixed systems.
- Legacy products are still available.

Fixed Systems Controllers

Beacon 800 Eight Channel Wall Mount Controller



ORDERING INFORMATION: When ordering a Beacon 800 system please specify the following components:

- 1) Controller
- 2) Detector Assemblies (up to 8)
- 3) Any options desired such as heavy duty relay board or individual recorder output board.
- 4) Battery back-up assembly if required - 49-8104RK 12 AH battery assembly

Note

All sensors connected to the Beacon 800 must use a 4-20 mA transmitter. Direct Connect Sensors are not compatible with the Beacon 800.

Controller Selection

<u>Part#</u>	<u>Description</u>	<u>Suggested Retail</u>
72-2108RK	Beacon 800, eight channel controller (no sensors)	2,700.00

Detector Assemblies Selection

Refer to detector assembly sections for complete listing

Direct Connect	Sensors with or without junction boxes, that connect directly to a controller (no transmitter)	page 150
S2 Series	Sensor / transmitter with explosion proof or non explosion proof junction box (no display)	page 156
M2A-XL Series	Stand alone explosion proof transmitter, CAT/IR/EC sensors,digital display, CSA	page 161
T2A Series	2-Wire explosion proof transmitter, EC sensors, display	page 167
T3A Series	3-Wire explosion proof transmitter, CAT/IR/EC/PID sensors, display	page 170
VOC Pro	PID explosion proof transmitter, four PID sensor options, display	page 173
Air Alert	Stand-alone, non explosion proof transmitter, 3-color alarm LEDs and buzzer, or with relays	page 175
SD-1	Explosion proof transmitter, CAT/EC/IR/MOS/Galvanic sensors, display, HART & SIL2 options	page 180
M-Series	Low cost sensor / transmitter for H2S or CO, non explosion proof	page 209
35-3001	Sample draw detector assembly in NEMA 4X enclosure	page 210
35-3010	Sample draw, multi-sensor detector assembly in NEMA 4X enclosure	page 212
GD-70D	Sample draw transmitter, EC/MOS/CAT smart sensors, common components, display	page 185
GD-K88Ai	Diffusion transmitter with EC sensors, long sensor life, non explosion proof, display	page 189
MPS Sensor	MPS LEL Variable Combustible Gas Sensor (Molecular Property Spectrometer)	page 166

Refer to Legacy Products section for the following detector assemblies

S-Series	Sensor / transmitter with explosion proof junction box (no display)	page 222
----------	---	----------

Optional Selections

(These items are factory installed and must be ordered with the instrument)

<u>Part#</u>	<u>Description</u>	<u>Suggested Retail</u>
75-0004RK	Recorder output board, 8 outputs, 4-20 mA or 1-5 VDC, added to Beacon 800	320.00
75-0005RK	Heavy duty relay board, 4 relays at 30 amps, added to Beacon 800	200.00
75-0006RK	Relay board and recorder output board, added to Beacon 800	480.00

Battery Back-up Assembly Selection

<u>Part#</u>	<u>Description</u>	<u>Suggested Retail</u>
49-8104RK	Standby battery assembly, 24 VDC, 12 AMP hours, for Beacon 110, Beacon 200, Beacon 410A, Beacon 800, & Beacon 3200	480.00

Replacement Parts & Accessories

For a complete listing of replacement parts and accessories see page 229.

Notes

- Fixed system pricing is for equipment only and does not include factory start-up or training. Please contact RKI for quotation if factory start-up or training is needed.
- Please contact RKI if you would like assistance with pricing or configuring a system quotation.
- A calibration test kit is a strongly recommended accessory for all fixed systems.
- Legacy products are still available.

Fixed Systems Controllers

Beacon 3200 Thirty Two Channel Wall Mount Controller

ORDERING INFORMATION: When ordering a Beacon 3200 system please specify the following components:

- 1) Controller
- 2) Sensor module/s (up to 4 channels per sensor module card)
- 3) Relay module/s (up to 8 relays per relay module card)
- 4) Detector Assemblies (max of 32)
- 5) Battery back-up assembly if required

Note

Maximum of 8 module cards per controller for any combination of sensor or relay modules.



Controller Component Selection

<u>Part#</u>	<u>Description</u>	<u>Suggested Retail</u>
72-2132	Beacon 3200 controller base unit, sensor & relay module cards sold separately	5,200.00
72-2132-01	Beacon 3200 Controller with SpectAlert strobe and horn	5,500.00
72-2132-02R	Beacon 3200 Controller with Federal Signal Streamline red strobe.....	5,600.00
72-2132-03R	Beacon 3200 Controller with Ingram red strobe	5,450.00

Sensor Module and Relay Module Selections

<u>Part#</u>	<u>Description</u>	<u>Suggested Retail</u>
57-0168-01	Sensor module PC board assembly for Beacon 3200, accepts 4 channels per sensor module (Not needed for Modbus detector inputs)	480.00
57-0169-01	Relay module PC board assembly for Beacon 3200, provides 8 programmable relays per relay module ...	280.00

Detector Assemblies Selections

Refer to detector assembly sections for complete listing

Direct Connect	Sensors with or without junction boxes, that connect directly to a controller (no transmitter)	page 150
S2 Series	Sensor / transmitter with explosion proof or non explosion proof junction box (no display)	page 156
M2A-XL Series	Stand alone explosion proof transmitter, CAT/IR/EC sensors,digital display, CSA	page 161
T2A Series	2-Wire explosion proof transmitter, EC sensors, display	page 167
T3A Series	3-Wire explosion proof transmitter, CAT/IR/EC/PID sensors, display	page 170
VOC Pro	PID explosion proof transmitter, four PID sensor options, display	page 173
Air Alert	Stand-alone, non explosion proof transmitter, 3-color alarm LEDs and buzzer, or with relays	page 175
SD-1	Explosion proof transmitter, CAT/EC/IR/MOS/Galvanic sensors, display, HART & SIL2 options	page 180
M-Series	Low cost sensor / transmitter for H2S or CO, non explosion proof	page 209
35-3001	Sample draw detector assembly in NEMA 4X enclosure	page 210
35-3010	Sample draw, multi-sensor detector assembly in NEMA 4X enclosure	page 212
GD-70D	Sample draw transmitter, EC/MOS/CAT smart sensors, common components, display.....	page 185
GD-K88Ai	Diffusion transmitter with EC sensors, long sensor life, non explosion proof, display	page 189
MPS Sensor	MPS LEL Variable Combustible Gas Sensor (Molecular Property Spectrometer)	page 166

Battery Back-up Assembly Selection

<u>Part#</u>	<u>Description</u>	<u>Suggested Retail</u>
49-8104RK	Standby battery assembly, 24 VDC, 12 AMP hours, for Beacon 110, Beacon 200, Beacon 410A, Beacon 800, & Beacon 3200	480.00

Replacement Parts & Accessories

For a complete listing of replacement parts and accessories see page 229.

Notes

- Fixed system pricing is for equipment only and does not include factory start-up or training. Please contact RKI for quotation if factory start-up or training is needed.
- Please contact RKI if you would like assistance with pricing or configuring a system quotation.
- A calibration test kit is a strongly recommended accessory for all fixed systems.
- Legacy products are still available.

Fixed Systems Controllers

MC-6400 Modbus 64 Channel, Wall Mount Controller



ORDERING INFORMATION: When ordering an MC-6400 system please specify the following components:

- 1) Detector Assemblies (up to 64)
- 2) Any options desired.
- 3) MC-6400 is supplied with 2 wiring hubs on the bottom of the housing. Hubs can be installed on top or sides instead **IF** specified at the time of ordering.

Controller Selection

<u>Part#</u>	<u>Description</u>	<u>Suggested Retail</u>
74-7464-A	MC-6400 Modbus controller, 64 channels with 100-240 VAC power supply, 4 relays, Modbus in/out ...	2,675.00

Add-Ons for MC-6400

To add an alarm strobe or buzzer select from the part #'s below. Each item utilizes 1 relay.

<u>Part#</u>	<u>Description</u>	<u>Suggested Retail</u>
ZPY-AMB	Strobe adder, amber	600.00
ZPY-BLU	Strobe adder, blue	600.00
ZPY-RED	Strobe adder, red	600.00
ZPY-WHT	Strobe adder, clear	600.00
Z488-KIT	Audible alarm buzzer adder	120.00

Detector Assemblies Selection

Refer to detector assembly sections for complete listing

M2A-XL Series	Stand alone explosion proof transmitter, CAT/IR/EC sensors,digital display, CSA	page 161
T3A Series	3-Wire explosion proof transmitter, CAT/IR/EC/PID sensors, display	page 170
VOC Pro	PID explosion proof transmitter, four PID sensor options, display	page 173
Air Alert	Stand-alone, non explosion proof transmitter, 3-color alarm LEDs and buzzer, or with relays	page 175

Fixed Systems Controllers

AC-7400 Analog Twelve Channel Wall Mount Controller



ORDERING INFORMATION: When ordering an AC-7400 system please specify the following components:

- 1) Detector Assemblies (up to 8 or 12)
- 2) Any options desired.
- 3) AC-7400 controllers are supplied with 2 wiring hubs on the bottom of the housing. Hubs can be installed on top or sides instead **IF** specified at the time of ordering.

Controller Selection

<u>Part#</u>	<u>Description</u>	<u>Suggested Retail</u>
74-7412-A	AC-7412 Controller, 12 channels, AC powered	4,200.00

Add-Ons for AC-7400

To add an alarm strobe or buzzer select from the part #'s below. Each item utilizes 1 relay.

<u>Part#</u>	<u>Description</u>	<u>Suggested Retail</u>
ZPY-AMB	Strobe adder, amber	600.00
ZPY-BLU	Strobe adder, blue	600.00
ZPY-RED	Strobe adder, red	600.00
ZPY-WHT	Strobe adder, clear	600.00
Z488-KIT	Audible alarm buzzer adder	120.00

Detector Assemblies Selection

Refer to detector assembly sections for complete listing

S2 Series	Sensor / transmitter with explosion proof or non explosion proof junction box (no display)	page 156
M2A-XL Series	Stand alone explosion proof transmitter, CAT/IR/EC sensors,digital display, CSA	page 161
T3A Series	3-Wire explosion proof transmitter, CAT/IR/EC/PID sensors, display	page 170
VOC Pro	PID explosion proof transmitter, four PID sensor options, display	page 173
Air Alert	Stand-alone, non explosion proof transmitter, 3-color alarm LEDs and buzzer, or with relays	page 175
GD-70D	Sample draw transmitter, EC/MOS/CAT smart sensors, common components, display.....	page 185

Fixed Systems Controllers

RM-5000 Series 2, 4, 6, 8, or 12 Multi-Channel Controller and Alarm



ORDERING INFORMATION: When ordering a RM-5000 system please specify the following components:

- 1) Housing
- 2) Display Modules
- 3) Detector / Transmitter Assemblies

Housing

<u>Part#</u>	<u>Description</u>	<u>Suggested Retail</u>
5000-SR	1-Channel Case, panel mounting, RM-5000 Series	220.00
5000-02R	2-Channel panel mounting housing, RM-5000 Series	920.00
5000-02W	2-Channel wall mounting housing, RM-5000 Series.....	920.00
5000-04R	4-Channel panel mounting housing, RM-5000 Series	1,150.00
5000-04W	4-Channel wall mounting housing, RM-5000 Series.....	1,150.00
5000-06R	6-Channel panel mounting housing, RM-5000 Series	1,380.00
5000-06W	6-Channel wall mounting housing, RM-5000 Series.....	1,380.00
5000-08R	8-Channel panel mounting housing, RM-5000 Series	1,610.00
5000-08W	8-Channel wall mounting housing, RM-5000 Series.....	1,610.00
5000-10R	10-Channel panel mounting housing, RM-5000 Series	1,840.00
5000-10W	10-Channel wall mounting housing, RM-5000 Series	1,840.00
5000-12R	12-Channel panel mounting housing, RM-5000 Series	2,070.00
5000-12W	12-Channel wall mounting housing, RM-5000 Series	2,070.00

Display Modules

<u>Part#</u>	<u>Description</u>	<u>Suggested Retail</u>
5000-CC	Module adapter, RM-5000 module to RM-570/580 case	95.00
EC-5002	Module,indicator/alarm, toxic gases, 2-wire 4-20 mA, RM-5000 Series (specify gas & range)	695.00
EC-5002-NH3	Module,indicator/alarm, 0-75.0 ppm NH3, 2-wire 4-20 mA, RM-5000 Series	695.00
GH-5001	Module, indicator/alarm, GH-5001, combustible or toxic gases (ppm range), RM-5000 Series (specify gas & range)	695.00
GH-5001H	Module, indicator/alarm, GH-5001H, 0-2000 ppm H2, (for SG-8541,SG-8546, 61-0160RK sensors)	695.00
GH-5001H-01	Module,indicator/alarm, GH-5001H, 0-2000 ppm H2, NE relays/ test relay on	695.00
GH-5001H-02	Module,indicator/alarm, GH-5001H, 0-2000 ppm H2, NE relays/self resetting alms/test relay on	695.00
GP-5001	Module,indicator/alarm, GP-5001,combustible gas, 0-100% LEL, RM-5000 Series (MUST SPECIFY GAS) ...	695.00
GP-5001-C4H10	Module,indicator/alarm, GP-5001,combustible gas , 0-100 %LEL isobutane, RM-5000 Series	695.00
GP-5001-CH4	Module, indicator/alarm, GP-5001,combustible gas , 0-100% LEL CH4, RM-5000 Series	695.00
NC-5001-C2H4	Module indicator/alarm, 0 - 100 %LEL Ethylene (C2H4), for NC-6241A, RM-5000 Series	660.00
NC-5001-CH4	Module indicator/alarm, 0 - 100 %LEL CH4, for NC-6241, RM-5000 Series	695.00
NC-5001-THF	Module indicator/alarm, 0 - 100 %LEL THF, for NC-6241, RM-5000 Series	695.00
NP-5001	Module, indicator/alarm, NP-5001, combustible gas, % volume, RM-5000 Series	695.00
OX-5001	Module, indicator/alarm, oxygen, 0-25%, direct connect, RM-5000 Series	695.00
OX-5002	Module, indicator/alarm, OX-5002, Oxygen (4-20mA), RM-5000 Series	695.00
RM-5002	Module indicator/alarm, 2-wire 4-20 mA, RM-5000 Series (specify gas & range)	695.00
RM-5002-CO2-02	Module indicator/alarm, 0-9950 ppm, 2-wire 4-20 mA, RM-5000 Series	695.00
RM-5003	Module indicator/alarm, 3-wire 4-20 mA, RM-5000 Series (specify gas & range)	695.00
RM-5003-CL2	Module indicator/alarm, 0-3.00 ppm Cl2, 3-wire 4-20 mA, RM-5000 Series	695.00
SP-5001	Module, indicator/alarm, SP-5001, combustible or toxic gases (ppm range), RM-5000 Series	695.00
TAN-5000	Buzzer Unit, self resetting, RM-5000 Series	440.00
TAN-5000L	Buzzer Unit, latching, RM-5000 Series	440.00



Fixed Systems Controllers

RM-5000 Series 2, 4, 6, 8, or 12 Multi-Channel Controller and Alarm

RM-5000 Detector Assemblies

Part#	Description	Suggested Retail
21-0250RK	Weather proof cover for GD-A80, GD-A8 & GD-D8	140.00
22-0252RK	Blank plate panel for RM-5000	18.00
61-1000RK	Sensor, LEL combustible (catalytic) with explosion proof j-box (no transmitter), (specify calibration), UL version	390.00
61-1001RK	Sensor, LEL Hydrogen (H2) specific with explosion proof j-box (no transmitter), UL version	540.00
61-1050RK	Hydrogen (H2) specific sensor / j-box, 0-2000 ppm	520.00
GD-A80-01	Diffusion detector assembly, model GD-A80, 0 - 100% LEL methane, explosion proof	575.00
GD-A80-02	Diffusion detector assembly, model GD-A80, 0 - 100% LEL hexane, explosion proof	575.00
GD-A80-03	Diffusion detector assembly, model GD-A80, 0 - 100% LEL propane, explosion proof	575.00
GD-A80-04	Diffusion detector assembly, model GD-A80, 0 - 100% LEL hydrogen, explosion proof	575.00
GD-A80-05	Diffusion detector assembly, model GD-A80, 0 - 100% LEL isobutane, explosion proof	575.00
GD-A80-06	Diffusion detector assembly, model GD-A80, 0 - 100% LEL MMA (mono methyl methacrylate), explosion proof	575.00
GD-A80V-01	Diffusion detector assembly, model GD-A80V, 0 - 2000 ppm hydrogen, H2 specific, MOS sensor, explosion proof	575.00
GD-A80V-02	Diffusion detector assembly, model GD-A80V, 0 - 5000 ppm hydrogen, H2 specific, SG-8511, explosion proof	575.00
GD-A80V-04	Diffusion detector assembly, model GD-A80V, 0 - 300 ppm MMA (methyl methacrylate), MOS sensor, explosion proof	575.00
GD-D58-DU2-100	Sample draw detector assembly, model GD-D58, 0 - 100% LEL methane, 24 VDC, with G1 ports, brass 1/4" tube fittings	1,500.00

Refer to detector assembly sections for complete listing

Direct Connect	Sensors with or without junction boxes, that connect directly to a controller (no transmitter) for LEL & Oxygen only	page 150
S-Series	Sensor / transmitter with explosion proof junction box (no display)	page 222
M2A-XL Series	Stand alone sensor / transmitter with explosion proof junction box and digital display	page 161
GD-70D	Electrochemical sample draw detector assembly with digital display for toxic gases	page 185
GD-K88Ai	Electrochemical diffusion detector assembly for toxic gases	page 189

Notes

- Fixed system pricing is for equipment only and does not include factory start-up or training. Please contact RKI for quotation if factory start-up or training is needed.
- Please contact RKI if you would like assistance with pricing or configuring a system quotation.
- A calibration test kit is a strongly recommended accessory for all fixed systems.
- Legacy products are still available.

Fixed Systems Sensors & Transmitters

Direct Connect Sensors no J-box

ORDERING INFORMATION: Direct connect sensors can be with or without a junction box and can be connected directly to the Beacon 110, Beacon 200, and Beacon 410A. LEL and Oxygen versions can also be connected to the Pioneer.



Explosion Proof Sensors, No J-Box, Class I, Division 1 Approved

Part#	Description	Suggested Retail
61-0140RK	Sensor, LEL combustible (catalytic), direct connection (no transmitter, no j-box), UL version	280.00
61-0140RK-05	Sensor, LEL combustible (catalytic), direct connection (no transmitter, no j-box), cCSAus version	320.00
NC-6205-01	Sensor, LEL Hydrogen (H2) specific, 1/2 NPT, with guard and silicone resistance, UL version, (no transmitter, no j-box)	400.00
NC-6205-05	Sensor, LEL Hydrogen (H2) specific, explosion proof direct connection, with silicone resistance, cCSAus version, (no transmitter, no j-box)	450.00
61-0190RK-CH4	Sensor, Methane (CH4) 0 - 100% LEL, IR, explosion proof direct connection, 3/4" NPT nipple (no transmitter, no j-box), cULus version	740.00
61-0192RK-CH4	Sensor, Methane (CH4) 0 - 100% volume, IR, explosion proof direct connection, 3/4" NPT nipple (no transmitter, no j-box), cULus version	740.00
61-0190RK-HC	Sensor, Hydrocarbon (HC) 0 - 100% LEL, IR, isobutane standard calibration, explosion proof direct connection, 3/4" NPT nipple (no transmitter, no j-box), cULus version	740.00
65-2514RK	Sensor, Oxygen (O2), capillary type, explosion proof, (no transmitter, no j-box), CSA version	380.00
65-2438	Sensor, Carbon Monoxide (CO), direct connection (no transmitter, no j-box), CSA version	440.00
65-2428	Sensor, Hydrogen Sulfide (H2S), direct connection (no transmitter, no j-box)	440.00
65-2425	Sensor, Hydrogen Cyanide (HCN), direct connection (no transmitter, no j-box), Available Q4 2022	800.00
61-0191RK-02	Sensor, Carbon Dioxide (CO2) 0 - 5,000 ppm, IR, explosion proof direct connection (no transmitter, no j-box), cULus version	740.00
61-0191RK-03	Sensor, Carbon Dioxide (CO2) 0 - 5%, IR, explosion proof direct connection (no transmitter, no j-box), cULus version	740.00
61-0191RK-05	Sensor, Carbon Dioxide (CO2) 0 - 50%, IR, explosion proof direct connection (no transmitter, no j-box), cULus version	740.00
61-0191RK-10	Sensor, Carbon Dioxide (CO2) 0 - 100%, IR, explosion proof direct connection (no transmitter, no j-box), cULus version	740.00

Non-Explosion Proof Sensor, OK for Class I, Division 2, No J-box

Part#	Description	Suggested Retail
65-2494RK	Sensor, Oxygen (O2) 0 - 25%, non explosion proof direct connect, capillary type, no j-box	340.00
65-2510RK	Sensor, Oxygen (O2) 0 - 25%, non explosion proof direct connect, partial pressure type (no transmitter, no j-box)	270.00
61-0198RK-04	Sensor, IR Carbon Dioxide (CO2) 0-20%, non explosion proof direct connect, replaceable sensor	700.00
65-2495RK	Sensor, Hydrogen Sulfide (H2S) 0 - 100 ppm, non explosion proof direct connect, no j-box	340.00
65-2496RK	Sensor, Carbon Monoxide (CO) 0 - 300 ppm, non explosion proof direct connect, no j-box	340.00
61-0198RK-02	Sensor, IR Carbon Dioxide (CO2) 0-5,000 ppm, non explosion proof direct connect, replaceable sensor	700.00
61-0198RK-03	Sensor, IR Carbon Dioxide (CO2) 0-5%, non explosion proof direct connect, replaceable sensor	700.00
61-0198RK-05	Sensor, IR Carbon Dioxide (CO2) 0-50%, non explosion proof direct connect, replaceable sensor	700.00
61-0198RK-10	Sensor, IR Carbon Dioxide (CO2) 0-100%, non explosion proof direct connect, replaceable sensor	700.00

Fixed Systems Sensors & Transmitters

Direct Connect Toxic Sensors no J-box

Non Explosion Proof Sensors, OK for Class I, Division 2, no J-box - CT-7 Series

<u>Part#</u>	<u>Description</u>	<u>Suggested Retail</u>
65-2302-NH3-75	Sensor, Ammonia (NH3), 0 - 75 ppm, CT-7 style, non explosion proof	730.00
65-2302-NH3-1	Sensor, Ammonia (NH3), 0 - 100 ppm, CT-7 style, non explosion proof	730.00
65-2302-NH3-2	Sensor, Ammonia (NH3), 0 - 200 ppm, CT-7 style, non explosion proof	730.00
65-2302-NH3-5	Sensor, Ammonia (NH3), 0 - 500 ppm, CT-7 style, non explosion proof	730.00
65-2302-CL2-3	Sensor, Chlorine (Cl2), 0 - 3 ppm, CT-7 style, non explosion proof	730.00
65-2302-CL2-5	Sensor, Chlorine (Cl2), 0 - 5 ppm, CT-7 style, non explosion proof	730.00
65-2302-CL2-10	Sensor, Chlorine (Cl2), 0 - 10 ppm, CT-7 style, non explosion proof	730.00
65-2302-CLO2-1	Sensor, Chlorine Dioxide (ClO2), 0 - 1 ppm, CT-7 style, non explosion proof	730.00
65-2302-CLO2-3	Sensor, Chlorine Dioxide (ClO2), 0 - 3 ppm, CT-7 style, non explosion proof	730.00
65-2302-CLO2-5	Sensor, Chlorine Dioxide (ClO2), 0 - 5 ppm, CT-7 style, non explosion proof	730.00
65-2302-HCN-15	Sensor, Hydrogen Cyanide (HCN), 0 - 15 ppm, CT-7 style, non explosion proof	730.00
65-2302-NO2	Sensor, Nitrogen Dioxide (NO2) sensor, 0 - 15 ppm, direct connection with conduit mounting, non explosion proof (no transmitter, no j-box)	730.00
65-2302-SO2-10	Sensor, Sulfur Dioxide (SO2), 0 - 10 ppm, CT-7 style, non explosion proof	730.00



Non Explosion Proof Sensors, OK for Class I, Division 2, no J-box - ESM-01 Series

<u>Part#</u>	<u>Description</u>	<u>Suggested Retail</u>
65-2300RK-NH3	Sensor, Ammonia (NH3) sensor, 0 - 75 ppm, direct connection with conduit mounting, non explosion proof (no transmitter, no j-box)	580.00
65-2300RK-ASH3	Sensor, Arsine (AsH3) sensor, 0 - 1.5 ppm, direct connection with conduit mounting, non explosion proof (no transmitter, no j-box)	580.00
65-2300RK-HCN	Sensor, Hydrogen Cyanide (HCN) sensor, 0 - 15 ppm, direct connection with conduit mounting non explosion proof (no transmitter, no j-box)	580.00
65-2300RK-PH3	Sensor, Phosphine (PH3) sensor, 0 - 1 ppm, direct connection with conduit mounting, non explosion proof (no transmitter, no j-box)	580.00
65-2300RK-SO2	Sensor, Sulfur Dioxide (SO2) sensor, 0 - 6 ppm, direct connection with conduit mounting, non explosion proof (no transmitter, no j-box)	580.00



Fixed Systems Sensors & Transmitters

Direct Connect Sensors with J-box

Explosion Proof: Class I, Division 1 Approved



Part#	Description	Suggested Retail
61-1000RK	Sensor, LEL combustible (catalytic) with explosion proof j-box (no transmitter), (specify calibration), UL version	390.00
61-1000RK-05	Sensor, LEL combustible (catalytic) with explosion proof j-box (no transmitter), (specify calibration), CSA version	440.00
61-1001RK	Sensor, LEL Hydrogen (H2) specific with explosion proof j-box (no transmitter), UL version	540.00
61-1001RK-03	Sensor, LEL Hydrogen (H2) specific with explosion proof j-box (no transmitter) and calibration adapter (only for use without rain guard)	595.00
61-1001RK-05	Sensor, LEL Hydrogen (H2) specific with explosion proof j-box (no transmitter), CSA version	570.00
61-1003RK-CH4	Sensor, IR, Methane (CH4) 0 - 100% LEL, explosion proof with j-box, UL version	850.00
61-1003RK-HC	Sensor, IR, Hydrocarbons (HC) 0 - 100% LEL, isobutane standard calibration, explosion proof with j-box, UL version	850.00
61-1006RK-CH4	Sensor, IR, Methane (CH4) 0 - 100% VOL, with j-box, UL version	850.00
65-2515RK	Sensor, Oxygen (O2), capillary type, explosion proof with conduit mounting and j-box (no transmitter), CSA version	500.00
65-2437RK-05	Sensor, Carbon Monoxide (CO) with j-box, CSA version	540.00
65-2427RK-05	Sensor, Hydrogen Sulfide (H2S) with j-box, CSA version	540.00
65-2429	Sensor, Hydrogen Cyanide (HCN) with j-box, Available Q4 2022	900.00
61-1004RK-02	Sensor, IR, Carbon Dioxide (CO2) 0 - 5,000 ppm, explosion proof with j-box, UL version	850.00
61-1004RK-03	Sensor, IR, Carbon Dioxide (CO2) 0 - 5%, explosion proof with j-box, UL version	850.00
61-1004RK-05	Sensor, IR, Carbon Dioxide (CO2) 0 - 50%, explosion proof with j-box, UL version	850.00
61-1004RK-10	Sensor, IR, Carbon Dioxide (CO2) 0 - 100%, explosion proof with j-box, UL version	850.00

Non Explosion Proof Sensors, OK for Class I, Division 2

Part#	Description	Suggested Retail
65-2497RK	Sensor, Oxygen (O2) 0 - 25%, direct connect, capillary type, non explosion proof, with j-box	440.00
65-2502RK	Sensor, Oxygen (O2) with j-box and I.S. barrier, partial pressure type, (no explosion proof approval)	370.00
65-2498RK	Sensor, Hydrogen Sulfide (H2S) 0 - 100 ppm, direct connect, non explosion proof, with j-box	460.00
65-2499RK	Sensor, Carbon Monoxide (CO) 0 - 300 ppm, direct connect, non explosion proof, with j-box	460.00
61-1007RK-02	Sensor, IR, Carbon Dioxide (CO2) 0 - 5,000 ppm, non explosion proof with j-box	800.00
61-1007RK-03	Sensor, IR, Carbon Dioxide (CO2) 0 - 5%, non explosion proof with j-box	800.00
61-1007RK-05	Sensor, IR, Carbon Dioxide (CO2) 0 - 50%, non explosion proof with j-box	800.00
61-1007RK-10	Sensor, IR, Carbon Dioxide (CO2) 0 - 100%, non explosion proof with j-box	800.00

Direct Connect Toxic Sensors, with J-box, Non Explosion Proof, OK for Class I, Division 2 CT-7 Series with J-box

Part#	Description	Suggested Retail
65-2303-NH3-75	Sensor, Ammonia (NH3), 0 - 75 ppm, CT-7 style with j-box, non explosion proof	850.00
65-2303-NH3-1	Sensor, Ammonia (NH3), 0 - 100 ppm, CT-7 style with j-box, non explosion proof	850.00
65-2303-NH3-2	Sensor, Ammonia (NH3), 0 - 200 ppm, CT-7 style with j-box, non explosion proof	850.00
65-2303-NH3-5	Sensor, Ammonia (NH3), 0 - 500 ppm, CT-7 style with j-box, non explosion proof	850.00
65-2303-CL2-3	Sensor, Chlorine (Cl2), 0 - 3 ppm, CT-7 style with j-box, non explosion proof	850.00
65-2303-CL2-5	Sensor, Chlorine (Cl2), 0 - 5 ppm, CT-7 style with j-box, non explosion proof	850.00
65-2303-CL2-10	Sensor, Chlorine (Cl2), 0 - 10 ppm, CT-7 style with j-box, non explosion proof	850.00
65-2303-CLO2-1	Sensor, Chlorine Dioxide (ClO2), 0 - 1 ppm, CT-7 style with j-box, non explosion proof	850.00
65-2303-CLO2-3	Sensor, Chlorine Dioxide (ClO2), 0 - 3 ppm, CT-7 style with j-box, non explosion proof	850.00
65-2303-CLO2-5	Sensor, Chlorine Dioxide (ClO2), 0 - 5 ppm, CT-7 style with j-box, non explosion proof	850.00
65-2303-HCN-15	Sensor, Hydrogen Cyanide (HCN), 0 - 15 ppm, CT-7 style with j-box, non explosion proof	850.00
65-2303-NO2	Sensor, Nitrogen Dioxide (NO2), 0 - 15 ppm, CT-7 style with j-box, non explosion proof	850.00
65-2303-SO2-10	Sensor, Sulfur Dioxide (SO2) 0 - 10 ppm, CT-7 style with j-box, non explosion proof	850.00



Note: **Stainless steel junction box for Direct Connect or S2 Series** can be supplied for an additional \$100.00 upon request instead of standard aluminum junction box. To order stainless junction box, just add 'SS' to the end of the part #..

Ex: 61-1000RKSS, or 65-2405RKSS.

Fixed Systems Sensors & Transmitters

Direct Connect Toxic Sensors with J-box, Non Explosion Proof, OK for Class I, Division 2

ESM-01 Series with J-box

Part#	Description	Suggested Retail
65-2301RK-NH3	Sensor, Ammonia (NH3) sensor, 0 - 75 ppm, direct connection, non explosion proof with j-box (no transmitter)	700.00
65-2301RK-ASH3	Sensor, Arsine (AsH3) sensor, 0 - 1.5 ppm, direct connection, non explosion proof with j-box (no transmitter)	700.00
65-2301RK-HCN	Sensor, Hydrogen Cyanide (HCN) sensor, 0 - 15 ppm, direct connection, non explosion proof with j-box (no transmitter)	700.00
65-2301RK-PH3	Sensor, Phosphine (PH3) sensor, 0 - 1 ppm, direct connection, non explosion proof with j-box (no transmitter)	700.00
65-2301RK-SO2	Sensor, Sulfur Dioxide (SO2) sensor, 0 - 6 ppm, direct connection, non explosion proof with j-box (no transmitter)	700.00



Direct Connect Sensors Remote Mount with Calibration Adapter / Splash Guard Explosion Proof Class I, Division 1 Approved

Includes diffusion calibration adapter for sample tube connection.

Part#	Description	Suggested Retail
61-1000RK-04	Sensor, LEL combustible (catalytic) with explosion proof j-box (no transmitter), (specify calibration) and calibration adapter/splash guard	465.00
61-1001RK-04	Sensor, LEL Hydrogen (H2) specific with explosion proof j-box (no transmitter) and calibration adapter/splash guard	615.00
61-1003RK-CH4-4	Sensor, IR, Methane (CH4) 0 - 100% LEL, explosion proof with j-box and calibration adapter/splash guard	890.00
61-1003RK-HC-04	Sensor, IR, Hydrocarbon (HC) 0 - 100% LEL, explosion proof with j-box and calibration adapter/splash guard	890.00

Includes diffusion cal cup **with splash guard** for sample tube connection.

Note: Tubing sold separately. Recommended tubing size for standard sensors is 3/16" x 5/16".
For IR XP sensors use 1/4" ID x 3/8" OD tubing. **Not recommended for toxic gases.**

61-1000RK-04



81-1116RK
cal cup

61-1003RK-CH4-04



81-1103RK-01
cal cup / splash guard for IR

Fixed Systems Sensors & Transmitters

Direct Connect Replacement Sensors For Explosion Proof

Part#	Description	Suggested Retail
61-0140RK	Sensor, LEL combustible (catalytic), direct connection (no transmitter, no j-box), UL version	280.00
61-0140RK-05	Sensor, LEL combustible (catalytic), direct connection (no transmitter, no j-box), cCSAus version	320.00
61-0190RK-CH4	Sensor, Methane (CH4) 0 - 100% LEL, IR, explosion proof direct connection, 3/4" NPT nipple (no transmitter, no j-box), cULus version	740.00
61-0190RK-HC	Sensor, Hydrocarbon (HC) 0 - 100% LEL, IR, isobutane standard calibration, explosion proof direct connection, 3/4" NPT nipple (no transmitter, no j-box), cULus version	740.00
61-0191RK-02	Sensor, Carbon Dioxide (CO2) 0 - 5,000 ppm, IR, explosion proof direct connection (no transmitter, no j-box), cULus version	740.00
61-0191RK-03	Sensor, Carbon Dioxide (CO2) 0 - 5%, IR, explosion proof direct connection (no transmitter, no j-box), cULus version	740.00
61-0191RK-05	Sensor, Carbon Dioxide (CO2) 0 - 50%, IR, explosion proof direct connection (no transmitter, no j-box), cULus version	740.00
61-0191RK-10	Sensor, Carbon Dioxide (CO2) 0 - 100%, IR, explosion proof direct connection (no transmitter, no j-box), cULus version	740.00
61-0192RK-CH4	Sensor, Methane (CH4) 0 - 100% volume, IR, explosion proof direct connection, 3/4" NPT nipple (no transmitter, no j-box), cULus version	740.00
61-5039RK-CH4	Sensor, Methane (CH4) 0-100% LEL, IR, plug-in style	400.00
61-5039RK-HC	Sensor, Hydrocarbon (HC) 0-100% LEL, IR, plug-in style	400.00
61-5040RK-03	Sensor, IR Carbon Dioxide (CO2) 0-5%, plug-in type, non-explosion proof	400.00
61-5040RK-05	Sensor, IR Carbon Dioxide (CO2) 0-50%, plug-in type, non-explosion proof	400.00
61-5040RK-10	Sensor, IR Carbon Dioxide (CO2) 0-100%, plug-in type, non-explosion proof	400.00
65-1025RK	Sensor, Oxygen (O2) 0 - 25%, capillary type, plug-in replacement for O2 assembly (65-2514RK & 65-2497RK)	140.00
65-2049-01	Sensor, Hydrogen Cyanide (HCN), 0 - 15 ppm, CT-7 style, explosion proof and non explosion proof	340.00
65-2510RK	Sensor, Oxygen (O2) 0 -25%, non explosion proof direct connect, partial pressure type (no transmitter, no j-box)	270.00
ES-1531-CO	Sensor, Carbon Monoxide (CO) 0 - 300 ppm, plug-in type, CT-7 style, cCSAus version	195.00
ES-1537-H2S	Sensor, Hydrogen Sulfide (H2S) 0 - 100 ppm, plug-in type, CT-7 style, cCSAus version	195.00
NC-6205-01	Sensor, LEL Hydrogen (H2) specific, 1/2 NPT, with guard and silicone resistance, UL version, (no transmitter, no j-box)	400.00
NC-6205-05	Sensor, LEL Hydrogen (H2) specific, explosion proof direct connection, with silicone resistance, cCSAus version, (no transmitter, no j-box)	450.00

Direct Connect Replacement Sensors For Non Explosion Proof

Part#	Description	Suggested Retail
65-1025RK	Sensor, Oxygen (O2) 0 - 25%, capillary type, plug-in replacement for O2 assembly (65-2514RK & 65-2497RK)	140.00
65-2510RK	Sensor, Oxygen (O2) 0 -25%, non explosion proof direct connect, partial pressure type (no transmitter, no j-box)	270.00
ES-1537-H2S	Sensor, Hydrogen Sulfide (H2S) 0 - 100 ppm, plug-in type, CT-7 style, cCSAus version	195.00
ES-1531-CO	Sensor, Carbon Monoxide (CO) 0 - 300 ppm, plug-in type, CT-7 style, cCSAus version	195.00
61-5040RK-02	Sensor, IR Carbon Dioxide (CO2) 0-5,000 ppm, plug-in type, non-explosion proof	400.00
61-5040RK-03	Sensor, IR Carbon Dioxide (CO2) 0-5%, plug-in type, non-explosion proof	400.00
61-5040RK-05	Sensor, IR Carbon Dioxide (CO2) 0-50%, plug-in type, non-explosion proof	400.00
61-5040RK-10	Sensor, IR Carbon Dioxide (CO2) 0-100%, plug-in type, non-explosion proof	400.00

Fixed Systems Sensors & Transmitters

Direct Connect Replacement CT-7 Toxic Sensors

Part#	Description	Suggested Retail
65-2054-01	Sensor, Ammonia (NH3) 0-75 ppm, -100 ppm, -200ppm, Sensoric CT-7 style with added membrane	450.00
65-2053-01	Sensor, Ammonia (NH3) 0-500 ppm, Sensoric CT-7 style with added membrane	450.00
65-2051-01	Sensor, Chlorine (Cl2), 0 - 5 ppm / 0 - 10 ppm, CT-7 style with added membrane	450.00
65-2052-01	Sensor, Chlorine Dioxide (ClO2), 0 - 1 ppm / 0 - 3 ppm / 0 - 5 ppm, CT-7 style with added membrane	450.00
65-2049-01	Sensor, Hydrogen Cyanide (HCN), 0 - 15 ppm, CT-7 style, explosion proof and non explosion proof	450.00
65-2058-01	Sensor, Nitrogen Dioxide (NO2), 0 - 15 ppm, CT-7 style with added membrane	450.00
65-2024-01	Sensor, Sulfur Dioxide (SO2), 0 - 10 ppm, CT-7 style with added membrane	340.00

Direct Connect Replacement ESM-01 Toxic Sensors

Part#	Description	Suggested Retail
ESM-01R-D-NH3	Sensor, Ammonia (NH3), 0 - 75 ppm, ESM-01 plug-in type, for diffusion instruments	195.00
ESM-01DH-ASH3	Sensor, Arsine (AsH3), 0 - 1.50 ppm, ESM-01 plug-in type	195.00
ESM-01DH-D-HCN	Sensor, Hydrogen Cyanide (HCN), 0 - 15 ppm, ESM-01 plug-in type	195.00
ESM-01DH-PH3	Sensor, Phosphine (PH3), 0 - 1.0 ppm, ESM-01 plug-in type	195.00
ESM-K01-D-CL2	Sensor, Chlorine (Cl2), 0 - 3 ppm, ESM-01 plug-in diffusion type	195.00
ESM-01DH-D-SO2	Sensor, Sulfur Dioxide (SO2), 0 - 6 ppm, ESM-01 plug-in type	195.00

Fixed Systems Sensors & Transmitters

S2 Series Diffusion Sensor / Transmitter

ORDERING INFORMATION: All S2 Series pricing includes the sensor and explosion proof housing.



Explosion Proof S2 Assemblies: Class I, Division 1 Approved

Part#	Description	Suggested Retail
65-2405RK	S2 Series LEL 0-100% sensor (catalytic) / transmitter with explosion proof j-box, UL version, (specify calibration)	620.00
65-2405RK-05	S2 Series LEL 0-100% sensor (catalytic) / transmitter with explosion proof j-box, CSA version, (specify calibration)	670.00
65-2394RK-CH4	S2 Series IR, Methane (CH4) 0-100% LEL sensor / transmitter with explosion proof j-box	1,040.00
65-2395RK-CH4	S2 Series IR, Methane (CH4) 0-100% volume sensor / transmitter with explosion proof j-box	1,140.00
65-2446-500	S2 Series MOS, Hexane (C6H14) 0-500 ppm linearized sensor/transmitter, dual pot, with explosion proof j-box, UL	820.00
65-2446-500-05	S2 Series MOS, Hexane (C6H14) 0-500 ppm linearized sensor/transmitter, dual pot with explosion proof j-box, CSA	870.00
65-2451RK	S2 Series Hydrogen (H2) specific 0 - 100% LEL sensor/transmitter with explosion proof j-box, UL	770.00
65-2451RK-05	S2 Series Hydrogen (H2) specific 0 - 100% LEL sensor/transmitter with explosion proof j-box, CSA	820.00
65-2445-100	S2 Series Hydrogen (H2) specific 0 - 100 ppm linearized, dual-pot MOS sensor/transmitter with explosion proof j-box, UL	820.00
65-2445-100-05	S2 Series Hydrogen (H2) specific 0 - 100 ppm linearized, dual-pot MOS sensor/transmitter with explosion proof j-box, CSA	870.00
65-2445-500	S2 Series Hydrogen (H2) specific 0 - 500 ppm linearized, dual-pot MOS sensor/transmitter with explosion proof j-box, UL	820.00
65-2445-500-05	S2 Series Hydrogen (H2) specific 0 - 500 ppm linearized, dual-pot MOS sensor/transmitter with explosion proof j-box, CSA	870.00
65-2445-1000	S2 Series Hydrogen (H2) specific 0 - 1000 ppm linearized, dual-pot MOS sensor/transmitter with explosion proof j-box, UL	820.00
65-2445-1000-05	S2 Series Hydrogen (H2) specific 0 - 1000 ppm linearized, dual-pot MOS sensor/transmitter with explosion proof j-box, CSA	870.00
65-2445-2000	S2 Series Hydrogen (H2) specific 0 - 2000 ppm linearized, dual-pot MOS sensor/transmitter with explosion proof j-box, UL	820.00
65-2445-2000-05	S2 Series Hydrogen (H2) specific 0 - 2000 ppm linearized, dual-pot MOS sensor/transmitter with explosion proof j-box, CSA	870.00
65-2462RK	S2 Series TC, Hydrogen (H2) 0-10% vol sensor / transmitter, explosion proof with j-box	1,100.00
65-2394RK-HC	S2 Series IR, Hydrocarbon (HC) 0-100% LEL sensor / transmitter with explosion proof j-box	1,040.00
65-2322RK	S2 Series Capillary type, Oxygen (O2) 0-25 sensor/transmitter, explosion proof with j-box, CSA version ...	690.00
65-2336RK	S2 Series Carbon Monoxide (CO) 0-300 ppm sensor / transmitter, explosion proof with j-box, CSA version	790.00
65-2331RK	S2 Series Hydrogen Sulfide (H2S) 0-100 ppm sensor / transmitter, explosion proof with j-box, CSA version	790.00
65-2333	S2 Series Hydrogen Cyanide (HCN) sensor / transmitter, explosion proof with j-box, CSA version	995.00
65-2396RK-10	S2 Series IR Carbon Dioxide (CO2) 0-100% sensor / transmitter, explosion proof with j-box, UL version	1,040.00
65-2396RK-02	S2 Series IR Carbon Dioxide (CO2) 0-5,000 ppm sensor / transmitter, explosion proof with j-box, UL version	1,040.00
65-2396RK-03	S2 Series IR Carbon Dioxide (CO2) 0-5% sensor / transmitter, explosion proof with j-box, UL version ...	1,040.00
65-2396RK-05	S2 Series IR Carbon Dioxide (CO2) 0-50% sensor / transmitter, explosion proof with j-box, UL version	1,040.00

Note: **Stainless steel junction box for Direct Connect or S2 Series** can be supplied for an additional \$100.00 upon request instead of standard aluminum junction box. To order stainless junction box, just add 'SS' to the end of the part #.
Example: 61-1000RKSS, or 65-2405RKSS.

Fixed Systems Sensors & Transmitters

S2 Assemblies, Non Explosion Proof, OK for Class I, Division 2

<u>Part#</u>	<u>Description</u>	<u>Suggested Retail</u>
65-2321RK	S2 Series Oxygen (O2) 0-25% sensor / transmitter, (capillary type) non explosion proof with j-box	560.00
65-2320RK	S2 Series Oxygen (O2) 0-25% sensor / transmitter (partial pressure), non explosion proof with j-box	560.00
65-2320RK-100	S2 Series Oxygen (O2) 0-100% sensor / transmitter (partial pressure), non explosion proof with j-box ...	560.00
65-2330RK	S2 Series Hydrogen Sulfide (H2S) 0-100 ppm sensor / transmitter, non explosion proof with j-box	690.00
65-2335RK	S2 Series Carbon Monoxide (CO) 0-300 ppm sensor / transmitter, non explosion proof with j-box	690.00
65-2397RK-02	S2 Series IR Carbon Dioxide (CO2) 0-5,000 ppm, non explosion proof with j-box	940.00
65-2397RK-03	S2 Series IR Carbon Dioxide (CO2) 0-5%, non explosion proof with j-box	940.00
65-2397RK-05	S2 Series IR Carbon Dioxide (CO2) 0-50%, non explosion proof with j-box.....	940.00
65-2397RK-10	S2 Series IR Carbon Dioxide (CO2) 0-100%, non explosion proof with j-box	940.00

S2 Series Diffusion Sensor / Transmitter With CT-7 Toxic Sensor

Non Explosion Proof, OK for Class I, Division 2

<u>Part#</u>	<u>Description</u>	<u>Suggested Retail</u>
65-2341-NH3-75	S2 Series Ammonia (NH3) 0 - 75 ppm, CT-7 style sensor / transmitter, non explosion proof with j-box	1,150.00
65-2341-NH3-1	S2 Series Ammonia (NH3) 0 - 100 ppm, CT-7 style sensor / transmitter, non explosion proof with j-box	1,150.00
65-2341-NH3-2	S2 Series Ammonia (NH3) 0 - 200 ppm, CT-7 style sensor / transmitter, non explosion proof with j-box	1,150.00
65-2341-NH3-5	S2 Series Ammonia (NH3) 0 - 500 ppm, CT-7 style sensor / transmitter, non explosion proof with j-box	1,150.00
65-2341-CL2-3	S2 Series Chlorine (Cl2) 0 - 3 ppm, CT-7 style sensor / transmitter, non explosion proof with j-box	1,150.00
65-2341-CL2-5	S2 Series Chlorine (Cl2) 0 - 5 ppm, CT-7 style sensor / transmitter, non explosion proof with j-box	1,150.00
65-2341-CL2-10	S2 Series Chlorine (Cl2) 0 - 10 ppm, CT-7 style sensor / transmitter, non explosion proof with j-box ...	1,150.00
65-2341-CLO2-1	S2 Series Chlorine Dioxide (ClO2) 0 - 1 ppm, CT-7 style sensor / transmitter, non explosion proof with j-box	1,150.00
65-2341-CLO2-3	S2 Series Chlorine Dioxide (ClO2) 0 - 3 ppm, CT-7 style sensor / transmitter, non explosion proof with j-box	1,150.00
65-2341-CLO2-5	S2 Series Chlorine Dioxide (ClO2) 0 - 5 ppm, CT-7 style sensor / transmitter, non explosion proof with j-box	1,150.00
65-2341-HCN-15	S2 Series Hydrogen Cyanide (HCN) 0 - 15 ppm, CT-7 style sensor / transmitter, non explosion proof with j-box	1,150.00
65-2341-NO2	S2 Series Nitrogen Dioxide (NO2) 0 - 15 ppm, CT-7 style sensor / transmitter, non explosion proof with j-box	1,150.00
65-2341-SO2-10	S2 Series Sulfur Dioxide (SO2) 0 - 10 ppm, CT-7 style sensor / transmitter, non explosion proof with j-box	1,150.00



S2 Series Diffusion Sensor / Transmitter With ESM-01 Toxic Sensor

Non Explosion Proof, OK for Class I, Division 2

<u>Part#</u>	<u>Description</u>	<u>Suggested Retail</u>
65-2340RK-NH3	S2 Series Ammonia (NH3) 0-75 ppm sensor / transmitter, non explosion proof with j-box	840.00
65-2340RK-ASH3	S2 Series Arsine (AsH3) 0-1.5 ppm sensor / transmitter, non explosion proof with j-box	840.00
65-2340RK-HCN	S2 Series Hydrogen Cyanide (HCN) 0-15 ppm sensor / transmitter, non explosion proof with j-box	840.00
65-2340RK-PH3	S2 Series Phosphine (PH3) 0-1 ppm sensor / transmitter, non explosion proof with j-box	840.00
65-2340RK-SO2	S2 Series Sulfur Dioxide (SO2) 0-6 ppm sensor / transmitter, non explosion proof with j-box	840.00



Fixed Systems Sensors & Transmitters

S2 Remote Mount with Calibration Adapter / Splash Guard

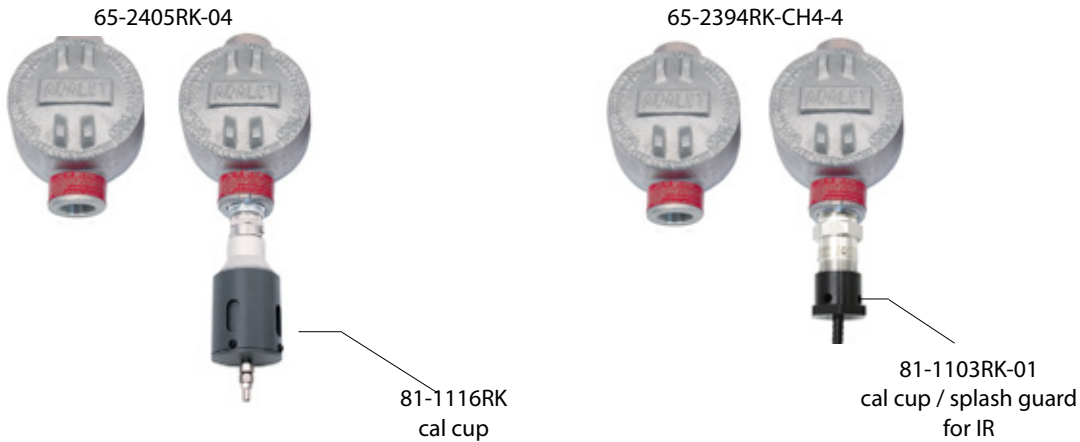
Explosion Proof, OK for Class I, Division 1

Part#	Description	Suggested Retail
65-2405RK-04	S2 Series LEL 0-100% sensor (catalytic) / transmitter with j-box, (specify calibration), remote detector and calibration adapter/splash guard	770.00
65-2451RK-04	S2 Series Hydrogen (H2) specific 0-100% LEL (catalytic) sensor/transmitter with j-box, remote detector and calibration adapter/splash guard	920.00
65-2394RK-CH4-4	S2 Series IR Methane (CH4) 0-100% LEL, sensor / transmitter, with j-box, remote detector and calibration adapter/splash guard	1,190.00

Includes diffusion calibration adapter for sample tube connection and extra j-box (S2 and M2 versions).

Includes diffusion calibration adapter / **splash guard** for sample tube connection and extra j-box.

Note: Tubing sold separately. Recommended tubing size for standard sensors is 3/16" x 5/16".
For IR XP sensors use 1/4" ID x 3/8" OD tubing. **Not recommended for toxic gases.**



Fixed Systems Sensors & Transmitters

Replacement Sensors For Explosion Proof S2 Series

Part#	Description	Suggested Retail
61-0140RK	Sensor, LEL combustible (catalytic), direct connection (no transmitter, no j-box), UL version	280.00
61-0140RK-05	Sensor, LEL combustible (catalytic), direct connection (no transmitter, no j-box), cCSAus version	320.00
61-0190RK-CH4	Sensor, Methane (CH4) 0 - 100% LEL, IR, explosion proof direct connection, 3/4" NPT nipple (no transmitter, no j-box), cULus version	740.00
61-5039RK-CH4	Sensor, Methane (CH4) 0-100% LEL, IR, plug-in style	400.00
61-0192RK-CH4	Sensor, Methane (CH4) 0 - 100% volume, IR, explosion proof direct connection, 3/4" NPT nipple (no transmitter, no j-box), cULus version	740.00
61-0190RK-HC	Sensor, Hydrocarbon (HC) 0 - 100% LEL, IR, isobutane standard calibration, explosion proof direct connection, 3/4" NPT nipple (no transmitter, no j-box), cULus version	740.00
61-5039RK-HC	Sensor, Hydrocarbon (HC) 0-100% LEL, IR, plug-in style	400.00
NC-6205-01	Sensor, LEL Hydrogen (H2) specific, 1/2 NPT, with guard and silicone resistance, UL version, (no transmitter, no j-box)	400.00
NC-6205-05	Sensor, LEL Hydrogen (H2) specific, explosion proof direct connection, with silicone resistance, cCSAus version, (no transmitter, no j-box)	450.00
61-0160RK	Sensor, Hydrogen (H2) 0-2,000 ppm, MOS, 1/2 NPT, UL version	400.00
TE-7550-H2-L-01	Sensor, Hydrogen (H2) 0-10% volume, thermal conductivity, 1/2 NPT with guard, UL version	750.00
TE-7550-H2-L-02	Sensor, Hydrogen (H2) 0-10% volume, thermal conductivity, 1/2 NPT without guard, UL version	750.00
65-1025RK	Sensor, Oxygen (O2) 0 - 25%, capillary type, plug-in replacement for O2 assembly (65-2514RK & 65-2497RK)	140.00
ES-1531-CO	Sensor, Carbon Monoxide (CO) 0 - 300 ppm, plug-in type, CT-7 style, cCSAus version	195.00
ES-1537-H2S	Sensor, Hydrogen Sulfide (H2S) 0 - 100 ppm, plug-in type, CT-7 style, cCSAus version	195.00
65-2049-01	Sensor, Hydrogen Cyanide (HCN), 0 - 15 ppm, CT-7 style, explosion proof and non explosion proof	450.00
61-0191RK-02	Sensor, Carbon Dioxide (CO2) 0 - 5,000 ppm, IR, explosion proof direct connection (no transmitter, no j-box), cULus version	740.00
61-0191RK-03	Sensor, Carbon Dioxide (CO2) 0 - 5%, IR, explosion proof direct connection (no transmitter, no j-box), cULus version	740.00
61-0191RK-05	Sensor, Carbon Dioxide (CO2) 0 - 50%, IR, explosion proof direct connection (no transmitter, no j-box), cULus version	740.00
61-0191RK-10	Sensor, Carbon Dioxide (CO2) 0 - 100%, IR, explosion proof direct connection (no transmitter, no j-box), cULus version	740.00



Replacement Sensors For Non Explosion Proof S2 Series

Part#	Description	Suggested Retail
65-1025RK	Sensor, Oxygen (O2) 0 - 25%, capillary type, plug-in replacement for O2 assembly (65-2514RK & 65-2497RK)	140.00
65-2510RK	Sensor, Oxygen (O2) 0 -25%, non explosion proof direct connect, partial pressure type t(no transmitter, no j-box)	270.00
ES-1537-H2S	Sensor, Hydrogen Sulfide (H2S) 0 - 100 ppm, plug-in type, CT-7 style, cCSAus version	195.00
ES-1531-CO	Sensor, Carbon Monoxide (CO) 0 - 300 ppm, plug-in type, CT-7 style, cCSAus version	195.00
61-5040RK-02	Sensor, IR Carbon Dioxide (CO2) 0-5,000 ppm, plug-in type, non-explosion proof	400.00
61-5040RK-03	Sensor, IR Carbon Dioxide (CO2) 0-5%, plug-in type, non-explosion proof.....	400.00
61-5040RK-05	Sensor, IR Carbon Dioxide (CO2) 0-50%, plug-in type, non-explosion proof	400.00
61-5040RK-10	Sensor, IR Carbon Dioxide (CO2) 0-100%, plug-in type, non-explosion proof.....	400.00

Replacement CT-7 Toxic Sensors for S2 Series

Part#	Description	Suggested Retail
65-2054-01	Sensor, Ammonia (NH3) 0-75 ppm, -100 ppm, -200ppm, Sensoric CT-7 style with added membrane	450.00
65-2053-01	Sensor, Ammonia (NH3) 0-500 ppm, Sensoric CT-7 style with added membrane	450.00
65-2051-01	Sensor, Chlorine (Cl2), 0 - 5 ppm / 0 - 10 ppm, CT-7 style with added membrane	450.00
65-2052-01	Sensor, Chlorine Dioxide (ClO2), 0 - 1 ppm / 0 - 3 ppm / 0 - 5 ppm, CT-7 style with added membrane.....	450.00
65-2049-01	Sensor, Hydrogen Cyanide (HCN), 0 - 15 ppm, CT-7 style, explosion proof and non explosion proof	450.00
65-2058-01	Sensor, Nitrogen Dioxide (NO2), 0 - 15 ppm, CT-7 style with added membrane	450.00
65-2024-01	Sensor, Sulfur Dioxide (SO2), 0 - 10 ppm, CT-7 style with added membrane	340.00

Fixed Systems Sensors & Transmitters

Replacement ESM-01 Toxic Sensors for S2 Series

<u>Part#</u>	<u>Description</u>	<u>Suggested Retail</u>
ESM-01R-D-NH3	Sensor, Ammonia (NH3), 0 - 75 ppm, ESM-01 plug-in type, for diffusion instruments	195.00
ESM-01DH-ASH3	Sensor, Arsine (AsH3), 0 - 1.50 ppm, ESM-01 plug-in type	195.00
ESM-01DH-D-HCN	Sensor, Hydrogen Cyanide (HCN), 0 - 15 ppm, ESM-01 plug-in type	195.00
ESM-01DH-PH3	Sensor, Phosphine (PH3), 0 - 1.0 ppm, ESM-01 plug-in type	195.00
ESM-K01-D-CL2	Sensor, Chlorine (Cl2), 0 - 3 ppm, ESM-01 plug-in diffusion type.....	195.00
ESM-01DH-D-SO2	Sensor, Sulfur Dioxide (SO2), 0 - 6 ppm, ESM-01 plug-in type	195.00

Fixed Systems Sensors & Transmitters

M2A-XL Series Stand Alone Transmitter

ORDERING INFORMATION: All M2A-XL pricing includes the sensor and explosion proof housing.



Explosion Proof M2A-XL Assemblies: Class I, Division 1 Approved

Part#	Description	Suggested Retail
65-2640XL	M2A-XL, LEL 0-100% sensor (catalytic) / transmitter with j-box, (specify calibration), UL version	1,320.00
65-2640XL-05	M2A-XL, LEL 0-100% sensor (catalytic) / transmitter with j-box, (specify calibration), cCSAus version ...	1,370.00
65-2647XL	M2A-XL, Methane (CH4) 0-9,000 ppm, sensor / transmitter with j-box	1,400.00
65-2647XL-05	M2A-XL, Methane (CH4) 0-9,000 ppm, sensor / transmitter with j-box, cCSAus version	1,450.00
65-2667XL-CH4	M2A-XL, Methane (CH4) 0-100% LEL, transmitter with plug-in style sensor and j-box, UL 2075 approval	1,870.00
65-2667XL-HC	M2A-XL, Hydrocarbons (HC) LEL 0-100% transmitter with plug-in style sensor and j-box.....	1,870.00
65-2641XL	M2A-XL, Hydrogen (H2) specific LEL 0-100% sensor (catalytic) / transmitter with j-box, UL version	1,470.00
65-2641XL-05	M2A-XL, Hydrogen (H2) specific LEL 0-100% sensor (catalytic) / transmitter with j-box, CSA version ...	1,470.00
65-2643XL-05	M2A-XL, Oxygen (O2) 0-25%, sensor / transmitter with j-box, cCSAus version	1,370.00
65-2646XL-05	M2A-XL, Carbon Monoxide (CO) 0-300 ppm, sensor / transmitter with j-box, cCSAus version	1,470.00
65-2645XL-05	M2A-XL, Hydrogen Sulfide (H2S) 0-100 ppm, sensor / transmitter with j-box, cCSAus version	1,470.00
65-2642XL	M2A-XL, Hydrogen Cyanide (HCN) 0-15 ppm, sensor / transmitter with j-box, cCSAus version.....	1,670.00
65-2649XL-CH4	M2A-XL, IR Methane (CH4) LEL 0-100% sensor / transmitter, with j-box, cULus version.....	1,670.00
65-2649XL-HC	M2A-XL, IR Hydrocarbons (isobutane) LEL 0-100% sensor / transmitter with j-box, cULus version	1,670.00
65-2658XL-CH4	M2A-XL, IR Methane (CH4) vol 0-100% sensor / transmitter, with j-box, cULus version	1,670.00
65-2660XL-02	M2A-XL, IR Carbon Dioxide (CO2) 0-5,000 ppm, sensor / transmitter with j-box, cULus version	1,670.00
65-2660XL-03	M2A-XL, IR Carbon Dioxide (CO2) 0-5%, sensor / transmitter with j-box, cULus version	1,670.00
65-2660XL-05	M2A-XL, IR Carbon Dioxide (CO2) 0-50%, sensor / transmitter with j-box, cULus version	1,670.00
65-2660XL-10	M2A-XL, IR Carbon Dioxide (CO2) 0-100%, sensor / transmitter with j-box, cULus version	1,670.00

Remote Mount M2A-XL with Calibration Adaptor / Splash Guard: Class I, Division 1 Approved

Note: Tubing sold separately. Recommended tubing size for standard sensors is 3/16" x 5/16".

For IR XP sensors use 1/4" ID x 3/8" OD tubing. **Not recommended for toxic gases.**

Part#	Description	Suggested Retail
65-2640XL-04	M2A-XL, LEL 0-100% sensor (catalytic) / transmitter with j-box, (specify calibration), remote detector and calibration adaptor/splash guard, UL version	1,455.00
65-2640XL-05-04	M2A-XL, LEL 0-100% sensor (catalytic) / transmitter with j-box, (specify calibration), remote detector and calibration adaptor/splash guard, cCSAus version	1,530.00
65-2641XL-04	M2A-XL, Hydrogen (H2) specific LEL 0-100% sensor (catalytic) / transmitter with j-box, remote detector and calibration adaptor/splash guard, UL version	1,610.00
65-2643XL-05-04	M2A-XL, Oxygen (O2) 0-25%, sensor / transmitter with j-box, remote detector and calibration adaptor/splash guard, cCSAus version	1,510.00
65-2645XL-05-04	M2A-XL, Hydrogen Sulfide (H2S) 0-100 ppm, sensor / transmitter with j-box, remote detector and calibration adaptor/splash guard, cCSAus version	1,620.00
65-2649XL-CH4-4	M2A-XL, IR Methane (CH4) LEL 0-100% sensor / transmitter with j-box, remote detector and calibration adaptor/splash guard, cULus version	1,820.00
65-2649XL-HC-04	M2A-XL, IR Hydrocarbons (isobutane) LEL 0-100% sensor / transmitter with j-box, remote detector and calibration adaptor/splash guard, cULus version	1,820.00
65-2658XL-CH4-4	M2A-XL, IR Methane (CH4) vol 0-100% sensor / transmitter, with j-box, remote detector and calibration adaptor/splash guard, cULus version	1,820.00



Fixed Systems Sensors & Transmitters

Non Explosion Proof M2A-XL Assemblies with CT-7 Sensors: OK For Class I, Division 2

Part#	Description	Suggested Retail
65-2670XL-NH375	M2A-XL, Ammonia (NH3) 0 - 75 ppm, CT-7 style sensor / transmitter, non explosion proof with j-box	1,670.00
65-2670XL-NH3-1	M2A-XL, Ammonia (NH3) 0 - 100 ppm, CT-7 style sensor / transmitter, non explosion proof with j-box	1,670.00
65-2670XL-NH3-2	M2A-XL, Ammonia (NH3) 0 - 200 ppm, CT-7 style sensor / transmitter, non explosion proof with j-box	1,670.00
65-2670XL-NH3-5	M2A-XL, Ammonia (NH3) 0 - 500 ppm, CT-7 style sensor / transmitter, non explosion proof with j-box	1,670.00
65-2663XL	M2A-XL, Carbon Monoxide (CO) 0-300 ppm, CT-7 style sensor / transmitter with j-box, non explosion proof	1,420.00
65-2670XL-CL2-3	M2A-XL, Chlorine (Cl2) 0 - 3 ppm, CT-7 style sensor / transmitter, non explosion proof with j-box	1,670.00
65-2670XL-CL2-5	M2A-XL, Chlorine (Cl2) 0 - 5 ppm, CT-7 style sensor / transmitter, non explosion proof with j-box	1,670.00
65-2670XL-CL210	M2A-XL, Chlorine (Cl2) 0 - 10 ppm, CT-7 style sensor / transmitter, non explosion proof with j-box	1,670.00
65-2670XL-CLO21	M2A-XL, Chlorine Dioxide (ClO2) 0 - 1 ppm, CT-7 style sensor / transmitter, non explosion proof with j-box	1,670.00
65-2670XL-CLO23	M2A-XL, Chlorine Dioxide (ClO2) 0 - 3 ppm, CT-7 style sensor / transmitter, non explosion proof with j-box	1,670.00
65-2670XL-HCN15	M2A-XL, Hydrogen Cyanide (HCN) 0 - 15 ppm, CT-7 style sensor / transmitter, non explosion proof with j-box	1,670.00
65-2662XL	M2A-XL, Hydrogen Sulfide (H2S) 0-100 ppm, CT-7 style sensor / transmitter with j-box, non explosion proof	1,420.00
65-2670XL-NO2	M2A-XL, Nitrogen Dioxide (NO2) 0 - 15 ppm, CT-7 style sensor / transmitter, non explosion proof with j-box	1,670.00
65-2670XL-SO210	M2A-XL, Sulfur Dioxide (SO2) 0 - 10 ppm, CT-7 style sensor / transmitter, non explosion proof with j-box	1,670.00



Non Explosion Proof M2A-XL Assemblies: OK For Class I, Division 2

Part#	Description	Suggested Retail
65-2644XL	M2A-XL, Oxygen (O2) 0-25%, sensor / transmitter with j-box, partial pressure sensor	1,270.00
65-2648XL-ASH3	M2A-XL, Arsine (AsH3) 0-1.5 ppm, transmitter, ESM-01 style sensor with j-box	1,520.00
65-2648XL-HCN	M2A-XL, Hydrogen Cyanide (HCN) 0-15 ppm, transmitter, ESM-01 style sensor with j-box	1,520.00
65-2648XL-NH3	M2A-XL, Ammonia (NH3) 0-75 ppm, transmitter, ESM-01 style sensor with j-box	1,520.00
65-2648XL-PH3	M2A-XL, Phosphine (PH3) 0-1 ppm, transmitter, ESM-01 style sensor with j-box	1,520.00
65-2648XL-SO2	M2A-XL, Sulfur Dioxide (SO2) 0-6 ppm, transmitter, ESM-01 style sensor with j-box	1,520.00
65-2661XL-02	M2A-XL, IR Carbon Dioxide (CO2) 0-5,000 ppm, sensor / transmitter, non explosion proof with j-box	1,570.00
65-2661XL-03	M2A-XL, IR Carbon Dioxide (CO2) 0-5%, sensor / transmitter, non explosion proof with j-box	1,570.00
65-2661XL-05	M2A-XL, IR Carbon Dioxide (CO2) 0-50%, sensor / transmitter, non explosion proof with j-box	1,570.00
65-2661XL-10	M2A-XL, IR Carbon Dioxide (CO2) 0-100%, sensor / transmitter, non explosion proof with j-box	1,570.00
65-2666XL	M2A-XL, Oxygen (O2) 0 - 25% sensor (capillary type) / transmitter with j-box (non explosion proof) ...	1,310.00



Fixed Systems Sensors & Transmitters

Calibration Kits

Instrument #	Cal-Kit Part #	Cal-Kit Description	Price
Ammonia	81-F504RK	Cal kit, fixed, 58AL cyl Ammonia 50 ppm in N2, reg with gauge & knob, cal cup for CT7 sensor, screwdriver, case & tubing	580.00
	81-F504RK25-LV	Cal kit, fixed, 34AL cyl Ammonia 25 ppm in N2, reg with gauge & knob, cal cup for CT7 sensor, screwdriver, case & tubing	615.00
	81-F504RK25	Cal kit, fixed, 58AL cyl Ammonia 25 ppm in N2, reg with gauge & knob, cal cup for CT7 sensor, screwdriver, case & tubing	580.00
Chlorine	81-F605	Cal kit, fixed, 58AL cyl 2 ppm Chlorine in N2, reg with gauge & knob, cal cup, screwdriver, case & tubing	620.00
	81-F605-LV	Cal kit, fixed, 34AL cyl 2 ppm Chlorine in N2, reg with gauge & knob, cal cup, screwdriver, case & tubing	555.00
Hydrogen Cyanide	81-F822RK	Cal kit, fixed, 58AL cyl 10 ppm Hydrogen Cyanide in N2, reg with gauge & knob, cal cup for CT 7 sensor, screwdriver, case & tubing	580.00

Replacement Sensors For Explosion Proof M2A-XL Series

Part#	Description	Suggested Retail
ES-1531-CO	Sensor, Carbon Monoxide (CO) 0 - 300 ppm, plug-in type, CT-7 style, cCSAus version	195.00
ES-1537-H2S	Sensor, Hydrogen Sulfide (H2S) 0 - 100 ppm, plug-in type, CT-7 style, cCSAus version	195.00
NC-6205-01	Sensor, LEL Hydrogen (H2) specific, 1/2 NPT, with guard and silicone resistance, UL version, (no transmitter, no j-box)	400.00
NC-6205-05	Sensor, LEL Hydrogen (H2) specific, explosion proof direct connection, with silicone resistance, cCSAus version, (no transmitter, no j-box)	450.00
61-0140RK	Sensor, LEL combustible (catalytic), direct connection (no transmitter, no j-box), UL version	280.00
61-0140RK-05	Sensor, LEL combustible (catalytic), direct connection (no transmitter, no j-box), cCSAus version	320.00
61-0140RKA	Sensor, PPM and low LEL combustible (catalytic), direct connection (no transmitter, no j-box)	330.00
61-0140RKA-05	Sensor, PPM and low LEL combustible (catalytic), direct connection (no transmitter, no j-box), cCSAus version	380.00
61-0190RK-CH4	Sensor, Methane (CH4) 0 - 100% LEL, IR, explosion proof direct connection, 3/4" NPT nipple (no transmitter, no j-box), cULus version	740.00
61-0190RK-HC	Sensor, Hydrocarbon (HC) 0 - 100% LEL, IR, isobutane standard calibration, explosion proof direct connection, 3/4" NPT nipple (no transmitter, no j-box), cULus version	740.00
61-0191RK-02	Sensor, Carbon Dioxide (CO2) 0 - 5,000 ppm, IR, explosion proof direct connection (no transmitter, no j-box), cULus version	740.00
61-0191RK-03	Sensor, Carbon Dioxide (CO2) 0 - 5%, IR, explosion proof direct connection (no transmitter, no j-box), cULus version	740.00
61-0191RK-05	Sensor, Carbon Dioxide (CO2) 0 - 50%, IR, explosion proof direct connection (no transmitter, no j-box), cULus version	740.00
61-0191RK-10	Sensor, Carbon Dioxide (CO2) 0 - 100%, IR, explosion proof direct connection (no transmitter, no j-box), cULus version	740.00
61-0192RK-CH4	Sensor, Methane (CH4) 0 - 100% volume, IR, explosion proof direct connection, 3/4" NPT nipple (no transmitter, no j-box), cULus version	740.00
61-5039RK-CH4	Sensor, Methane (CH4) 0-100% LEL, IR, plug-in style	400.00
61-5039RK-HC	Sensor, Hydrocarbon (HC) 0-100% LEL, IR, plug-in style	400.00
65-1025RK	Sensor, Oxygen (O2) 0 - 25%, capillary type, plug-in replacement for O2 assembly (65-2514RK & 65-2497RK)	140.00



Fixed Systems Sensors & Transmitters

Replacement Sensors For Non Explosion Proof M2A-XL Series

Part#	Description	Suggested Retail
65-1025RK	Sensor, Oxygen (O2) 0 - 25%, capillary type, plug-in replacement for O2 assembly (65-2514RK & 65-2497RK)	140.00
65-2510RK	Sensor, Oxygen (O2) 0 -25%, non explosion proof direct connect, partial pressure type (no transmitter, no j-box)	270.00
ES-1537-H2S	Sensor, Hydrogen Sulfide (H2S) 0 - 100 ppm, plug-in type, CT-7 style, cCSAus version	195.00
ES-1531-CO	Sensor, Carbon Monoxide (CO) 0 - 300 ppm, plug-in type, CT-7 style, cCSAus version	195.00
61-5040RK-02	Sensor, IR Carbon Dioxide (CO2) 0-5,000 ppm, plug-in type, non-explosion proof	400.00
61-5040RK-03	Sensor, IR Carbon Dioxide (CO2) 0-5%, plug-in type, non-explosion proof.....	400.00
61-5040RK-05	Sensor, IR Carbon Dioxide (CO2) 0-50%, plug-in type, non-explosion proof	400.00
61-5040RK-10	Sensor, IR Carbon Dioxide (CO2) 0-100%, plug-in type, non-explosion proof.....	400.00



Replacement CT-7 Toxic Sensors for M2A-XL Series

Part#	Description	Suggested Retail
65-2054-01	Sensor, Ammonia (NH3) 0-75 ppm, -100 ppm, -200ppm, Sensoric CT-7 style with added membrane	450.00
65-2053-01	Sensor, Ammonia (NH3) 0-500 ppm, Sensoric CT-7 style with added membrane	450.00
65-2051-01	Sensor, Chlorine (Cl2), 0 - 5 ppm / 0 - 10 ppm, CT-7 style with added membrane	450.00
65-2052-01	Sensor, Chlorine Dioxide (ClO2), 0 - 1 ppm / 0 - 3 ppm / 0 - 5 ppm, CT-7 style with added membrane.....	450.00
65-2049-01	Sensor, Hydrogen Cyanide (HCN), 0 - 15 ppm, CT-7 style, explosion proof and non explosion proof	450.00
65-2058-01	Sensor, Nitrogen Dioxide (NO2), 0 - 15 ppm, CT-7 style with added membrane	450.00
65-2024-01	Sensor, Sulfur Dioxide (SO2), 0 - 10 ppm, CT-7 style with added membrane	340.00



Replacement ESM-01 Toxic Sensors For Non Explosion Proof M2A-XL Series

Part#	Description	Suggested Retail
ESM-01R-D-NH3	Sensor, Ammonia (NH3), 0 - 75 ppm, ESM-01 plug-in type, for diffusion instruments	195.00
ESM-01DH-ASH3	Sensor, Arsine (AsH3), 0 - 1.50 ppm, ESM-01 plug-in type	195.00
ESM-01DH-D-HCN	Sensor, Hydrogen Cyanide (HCN), 0 - 15 ppm, ESM-01 plug-in type	195.00
ESM-01DH-PH3	Sensor, Phosphine (PH3), 0 - 1.0 ppm, ESM-01 plug-in type	195.00
ESM-01DH-D-SO2	Sensor, Sulfur Dioxide (SO2), 0 - 6 ppm, ESM-01 plug-in type	195.00
ESM-K01-D-CL2	Sensor, Chlorine (Cl2), 0 - 3 ppm, ESM-01 plug-in diffusion type.....	195.00



Fixed Systems Sensors & Transmitters

M2A-XL Replacement Parts & Accessories

Part#	Description	Suggested Retail
47-5048RK	Display ribbon cable, M2A/M2A-XL transmitter	10.00
49-4000RK	AC Power supply assembly for M2A/M2A-XL, input 100 VAC to 240 VAC, output 24 VDC, 0.5 amp, mounted in 18-0400RK	220.00
49-4000RK-SS	AC Power supply assembly for M2A/M2A-XL stainless steel housing, input 100 VAC to 240 VAC, output 24 VDC, 0.5 amp, mounted in 18-0416RK-11	320.00
57-0075RK	Display assembly, LCD for M2 smart transmitter/Beacon 110	90.00
57-0150XL-01	Display assembly, OLED for M2A-XL	90.00
82-0101RK	Magnetic wand, for M2A-XL/T2A/T3A/VOC Pro/Air Alert/AirLink Transmitters	20.00

M2A-XL Replacement Transmitters for Use with OLED Display

Part#	Description	Suggested Retail
57-1287-01	Terminal/relay board, potted, O2, M2A-XL Transmitter, standard for OLED display	440.00
57-1287-02	Terminal/relay board, potted, CO, M2A-XL Transmitter, standard for OLED display	440.00
57-1287-03	Terminal/relay board, potted, H2S, M2A-XL Transmitter, standard for OLED display	440.00
57-1287-04	Terminal/relay board, potted, ASH3, M2A-XL Transmitter, standard for OLED display	440.00
57-1287-06	Terminal/relay board, potted, NH3, M2A-XL Transmitter, standard for OLED display	440.00
57-1287-08	Terminal/relay board, potted, PH3, M2A-XL Transmitter, standard for OLED display	440.00
57-1287-09	Terminal/relay board, potted, SO2, M2A-XL Transmitter, standard for OLED display	440.00
57-1287-11	Terminal/relay board, potted, HCN, M2A-XL Transmitter, standard for OLED display	440.00
57-1288-01	Terminal/relay board, potted, LEL, M2A-XL Transmitter, specify calibration gas, standard for OLED display	440.00
57-1288-02	Terminal/relay board, potted, LEL,H2 specific, M2A-XL Transmitter, standard for OLED display	440.00
57-1288-05	Terminal/relay board, potted, LEL,IR HC sensor, M2A-XL Transmitter, standard for OLED display	440.00
57-1288-06	Terminal/relay board, potted, IR CO2 sensor, 0 - 5,000 ppm, M2A-XL Transmitter, standard for OLED display	440.00
57-1288-07	Terminal/relay board, potted, IR CO2 sensor, 0 - 5%, M2A-XL Transmitter, standard for OLED display	440.00
57-1288-08	Terminal/relay board, potted, IR CO2 sensor, 0 - 50%, M2A-XL Transmitter, standard for OLED display ...	440.00
57-1288-09	Terminal/relay board, potted, IR CO2 sensor, 0 - 100%, M2A-XL Transmitter, standard for OLED display ...	440.00
57-1288-11	Terminal/relay board, potted, IR CH4 sensor, 0 - 100% volume, M2A-XL Transmitter, standard for OLED display	440.00

Fixed Systems Sensors & Transmitters

MPS™ LEL Variable Combustible Gas Sensor (Molecular Property Spectrometer)

Part#	Description	Suggested Retail
61-0230	LEL, MPStm type sensor, 3/4 inch NPT	700.00
61-1020	LEL, Direct Connect, MPStm type detector with XP J-Box	820.00
65-2380	LEL, S2, MPStm type sensor/transmitter/XP J-Box	1,050.00
65-2650XL	LEL, M2A-XL, MPStm type sensor/transmitter with J-Box	1,670.00
81-FMPS-CH4	Cal kit, fixed, MPStm sensor, CH4 50% LEL in 18% O2 with a balance of N2, 103 liter steel, regulator, screwdriver, case & tubing.....	365.00



Fixed Systems Sensors & Transmitters

T2A Series 2-Wire Transmitter

- Explosion Proof, Class I, Division 1 for CO, H2S, O2, HCN, PH3, and SO2
- Class I, Division 2 for all other gases
- Loop Powered
- 4-20 mA output



Part#	Description	Suggested Retail
66-6206-07	T2A sensor/transmitter with j-box, Ammonia (NH3), 0-75 ppm	1,840.00
66-6206-10	T2A sensor/transmitter with j-box, Ammonia (NH3), 0-100 ppm	1,840.00
66-6206-10L	T2A sensor/transmitter with j-box, Ammonia (NH3), 0-100 ppm, long life, low humidity	2,020.00
66-6206-20	T2A sensor/transmitter with j-box, Ammonia (NH3), 0-200 ppm	1,840.00
66-6206-30	T2A sensor/transmitter with j-box, Ammonia (NH3), 0-300 ppm	1,840.00
66-6206-40	T2A sensor/transmitter with j-box, Ammonia (NH3), 0-400 ppm	1,840.00
66-6206-50	T2A sensor/transmitter with j-box, Ammonia (NH3), 0-500 ppm	1,840.00
66-6206-1K	T2A sensor/transmitter with j-box, Ammonia (NH3), 0-1000 ppm	1,840.00
66-6268-01	T2A sensor/transmitter with j-box, Arsine (AsH3), 0-1.0 ppm	2,330.00
66-6201-03	T2A sensor/transmitter with j-box, Carbon Monoxide (CO), 0-300 ppm	1,660.00
66-6201-05	T2A sensor/transmitter with j-box, Carbon Monoxide (CO), 0-500 ppm	1,660.00
66-6201-1K	T2A sensor/transmitter with j-box, Carbon Monoxide (CO), 0-1000 ppm	1,660.00
66-6212-03	T2A sensor/transmitter with j-box, Chlorine (Cl2), 0-3 ppm	1,840.00
66-6212-10	T2A sensor/transmitter with j-box, Chlorine (Cl2), 0-10 ppm	1,840.00
66-6212-20	T2A sensor/transmitter with j-box, Chlorine (Cl2), 0-20 ppm	1,840.00
66-6213-01	T2A sensor/transmitter with j-box, Chlorine Dioxide (ClO2), 0-1 ppm	1,840.00
66-6213-05	T2A sensor/transmitter with j-box, Chlorine Dioxide (ClO2), 0-5 ppm	1,840.00
66-6216-10	T2A sensor/transmitter with j-box, Ethylene Oxide (ETO), 0-10 ppm	2,330.00
66-6211-10	T2A sensor/transmitter with j-box, Formaldehyde (HCHO), 0-10 ppm	2,330.00
66-6239-40	T2A sensor/transmitter with j-box, Hydrogen (H2), 0-100% LEL (0-4% vol), EC sensor type	2,330.00
66-6204-20	T2A sensor/transmitter with j-box, Hydrogen Chloride (HCl), 0-20 ppm	2,330.00
66-6204-30	T2A sensor/transmitter with j-box, Hydrogen Chloride (HCl), 0-30 ppm	2,330.00
66-6204-99	T2A sensor/transmitter with j-box, Hydrogen Chloride (HCl), 0-100 ppm	2,330.00
66-6205-15	T2A sensor/transmitter with j-box, Hydrogen Cyanide (HCN), 0-15 ppm	1,840.00
66-6205-30	T2A sensor/transmitter with j-box, Hydrogen Cyanide (HCN), 0-30 ppm	1,840.00
66-6205-50	T2A sensor/transmitter with j-box, Hydrogen Cyanide (HCN), 0-50 ppm	1,840.00
66-6214-10	T2A sensor/transmitter with j-box, Hydrogen Fluoride (HF), 0-10 ppm	2,330.00
66-6203-01	T2A sensor/transmitter with j-box, Hydrogen Sulfide (H2S), 0-10 ppm	1,660.00
66-6203-02	T2A sensor/transmitter with j-box, Hydrogen Sulfide (H2S), 0-25 ppm	1,660.00
66-6203-05	T2A sensor/transmitter with j-box, Hydrogen Sulfide (H2S), 0-50 ppm	1,660.00
66-6203-10	T2A sensor/transmitter with j-box, Hydrogen Sulfide (H2S), 0-100 ppm	1,660.00
66-6203-50	T2A sensor/transmitter with j-box, Hydrogen Sulfide (H2S), 0-500 ppm	1,840.00
66-6203-2K	T2A sensor/transmitter with j-box, Hydrogen Sulfide (H2S), 0-2000 ppm	1,840.00
66-6207-25	T2A sensor/transmitter with j-box, Nitric Oxide (NO), 0-250 ppm	1,840.00
66-6208-20	T2A sensor/transmitter with j-box, Nitrogen Dioxide (NO2), 0-20 ppm	1,840.00
66-6202-25	T2A sensor/transmitter with j-box, Oxygen (O2) capillary, 0-25%	1,840.00
66-6209-05	T2A sensor/transmitter with j-box, Ozone (O3), 0-5 ppm	1,840.00
66-6209-99	T2A sensor/transmitter with j-box, Ozone (O3), 0-100 ppm	1,840.00
66-6215-05	T2A sensor/transmitter with j-box, Phosphine (PH3), 0-5 ppm	2,330.00
66-6210-20	T2A sensor/transmitter with j-box, Sulfur Dioxide (SO2), 0-20 ppm	1,840.00

Fixed Systems Sensors & Transmitters

T2A Calibration Kits

Instrument #	Cal-Kit Part #	Cal-Kit Description	Price
Chlorine	81-T1203-LV	Cal kit, T2A/T3A, 34AL cyl Cl2 2 ppm in N2, regulator, case, XP cal cup, and tubing	605.00
	81-T1220-LV	Cal kit, T2A/T3A, 34AL cyl Cl2 5 ppm in N2, regulator, case, XP cal cup, and tubing	625.00
HydrogenChloride	81-T0430-LV	Cal kit, T2A/T3A, 34AL cyl HCl 5 ppm in N2, regulator, case, XP cal cup, and tubing	685.00
HydrogenFluoride	81-T1410-LV	Cal kit, T2A/T3A for HF, 34AL cyl Cl2 2 ppm in N2, regulator, case, XP cal cup, and tubing	625.00
HydrogenSulfide	81-T0310-LV	Cal kit, T2A/T3A, 34AL cyl H2S 25 ppm in N2, regulator, case, XP cal cup, and tubing	535.00
Isobutane LEL	81-T6310-LV	Cal kit, T2A/T3A, 34L cyl isobutane in air, regulator, case, XP cal cup, and tubing	460.00
Methane LEL	81-T4010	Cal kit, T3A, 103L cyl Methane 50% LEL in air, regulator, case, XP cal cup, and tubing	495.00
	81-T4010-LV	Cal kit, T3A, 34L cyl Methane 50% LEL in air, regulator, case, XP cal cup, and tubing	460.00
NitricOxide	81-T0725-LV	Cal kit, T2A/T3A, 34AL cyl NO 25 ppm in N2, regulator, case, XP cal cup, and tubing	665.00
Phosphine	81-T1505-LV	Cal kit, T2A/T3A, 34AL cyl PH3 0.5 ppm in N2, regulator, case, XP cal cup, and tubing	665.00
Propane LEL	81-T5310	Cal kit, T3A, 103L cyl Propane 50% LEL in air, regulator, case, XP cal cup, and tubing	495.00
	81-T5310-LV	Cal kit, T3A, 34L cyl Propane 50% LEL in air, regulator, case, XP cal cup, and tubing	440.00

Replacement Parts and Accessories for T2A

<u>Part#</u>	<u>Description</u>	<u>Suggested Retail</u>
30-0960	Sample drawing adapter for T2A/T3A/VOC Pro/AirLink products with aspirator and brass fittings	550.00
30-0960-01	Flow through adapter for T2A/T3A/VOC Pro/AirLink products with brass fittings only	180.00
30-0960-02	Flow through adapter for T2A/T3A/VOC Pro/AirLink products with flow meter and brass fittings	320.00
30-0960-03	Flow through adapter for T2A/T3A/VOC Pro/AirLink products with flow meter, valve, and brass fittings...	360.00
47-5110-7-XX	Cable with 7-pin connector to remote mount sensor (battery powered) for explosion proof and non-explosion proof, price per foot (specify length in place of -XX)	7.90
61-2003	Remote sensor mounting kit, explosion proof with 7-pin connector for T2A/AirLink 6900/AirLink 6940XP (order cable separate)	450.00
81-1183	Cal cup with 3 ft 1/8" ID x 1/4" OD teflon tubing for T2A/T3A/VOC Pro/AirLink 6900 type detectors	175.00
81-1184	Rain guard for T2A/T3A/VOC Pro type explosion proof detector.....	20.00
82-0101RK	Magnetic wand, for M2A-XL/T2A/T3A/VOC Pro/Air Alert/AirLink Transmitters	20.00
Z2000-CAP-ASSY	Sensor housing cap with flame arrestor and O-ring, for T3A/VOC Pro/6900/6940XP Airlink products and T2A/T3A	210.00

Fixed Systems Sensors & Transmitters

T2A Replacement Sensors

<u>Part#</u>	<u>Description</u>	<u>Suggested Retail</u>
66-0006-2	Sensor, Ammonia (NH3) high range, covers full scale from 200 to 1000 ppm, Semeatech, EC type	400.00
66-0006L-1	Sensor, Ammonia (NH3) long life, low humidity for up to 100 ppm full scale, Semeatech, EC type	400.00
66-0006N-1	Sensor, Ammonia (NH3) for up to 100 ppm full scale, Nemoto, EC type	400.00
66-0006N-2	Sensor, Ammonia (NH3) covers full scale between 200 and 1000 ppm, Nemoto, EC type	400.00
66-0068	Sensor, Arsine (AsH3) 0 - 1 ppm, EC type	900.00
66-0001	Sensor, Carbon Monoxide (CO) covers full scale up to 0 - 1000 ppm, EC type	220.00
66-0012	Sensor, Chlorine (Cl2) covers full scale up to 20 ppm, EC type	400.00
66-0013	Sensor, Chlorine Dioxide (ClO2) covers full scale up to 5 ppm, EC type	400.00
66-0016	Sensor, Ethylene Oxide (ETO) 0 - 10 ppm, EC type	900.00
66-0011	Sensor, Formaldehyde (HCHO) 0 - 10 ppm, EC type	900.00
66-0039	Sensor, Hydrogen (H2) 0 - 100% LEL (0-4% vol), EC type	900.00
66-0004-1	Sensor, Hydrogen Chloride (HCl) covers full scale up to 20 ppm, EC type	900.00
66-0004-2	Sensor, Hydrogen Chloride (HCl) covers full scale up to 200 ppm, EC type	900.00
66-0005	Sensor, Hydrogen Cyanide (HCN) 0 - 50 ppm, EC type	400.00
66-0014	Sensor, Hydrogen Fluoride (HF) 0 - 10 ppm, EC type	900.00
66-0003-1	Sensor, Hydrogen Sulfide (H2S) 0 - 100 ppm, EC type	220.00
66-0003-2	Sensor, Hydrogen Sulfide (H2S) covers full scale from 200 ppm to 2000 ppm, EC type	400.00
66-0007	Sensor, Nitric Oxide (NO) covers full scale up to 250 ppm, EC type	400.00
66-0008	Sensor, Nitrogen Dioxide (NO2) 0 - 20 ppm, EC type	400.00
66-0002	Sensor, Oxygen (O2) 0 - 25 % volume, capillary type	400.00
66-0009-1	Sensor, Ozone (O3) 0 - 5 ppm, EC type	900.00
66-0009-2	Sensor, Ozone (O3) high range sensor covers full scale from 10 ppm to 100 ppm, EC type	900.00
66-0015	Sensor, Phosphine (PH3) 0 - 5 ppm, EC type	1,030.00
66-0010	Sensor, Sulfur Dioxide (SO2) 0 - 20 ppm, EC type	400.00

Fixed Systems Sensors & Transmitters

T3A Series 3-Wire Transmitter without Relays

- Explosion Proof, Class I, Division 1 for CO, H2S, O2, LEL, CO2, VOC, HCN, PH3, and SO2
- Class I, Division 2 for all other gases
- 4-20 mA or Modbus output



Part#	Description	Suggested Retail
66-6306-10	T3A sensor/transmitter with j-box, Ammonia (NH3), 0-100 ppm	1,670.00
66-6306-20	T3A sensor/transmitter with j-box, Ammonia (NH3), 0-200 ppm	1,670.00
66-6306-30	T3A sensor/transmitter with j-box, Ammonia (NH3), 0-300 ppm	1,670.00
66-6306-50	T3A sensor/transmitter with j-box, Ammonia (NH3), 0-500 ppm	1,670.00
66-6306-1K	T3A sensor/transmitter with j-box, Ammonia (NH3), 0-1000 ppm	1,670.00
66-6368-01	T3A sensor/transmitter with j-box, Arsine (AsH3), 0-1 ppm	2,150.00
66-6354-05	T3A sensor/transmitter with j-box, Carbon Dioxide (CO2) IR, 0-5000 ppm	2,150.00
66-6350-05	T3A sensor/transmitter with j-box, Carbon Dioxide (CO2) IR, 0-5% vol	2,150.00
66-6301-05	T3A sensor/transmitter with j-box, Carbon Monoxide (CO), 0-500 ppm	1,500.00
66-6301-1K	T3A sensor/transmitter with j-box, Carbon Monoxide (CO), 0-1,000 ppm	1,500.00
66-6312-10	T3A sensor/transmitter with j-box, Chlorine (Cl2), 0-10 ppm	1,670.00
66-6313-01	T3A sensor/transmitter with j-box, Chlorine Dioxide (ClO2), 0-1 ppm	1,670.00
66-6313-05	T3A sensor/transmitter with j-box, Chlorine Dioxide (ClO2), 0-5 ppm	1,670.00
66-6316-10	T3A sensor/transmitter with j-box, Ethylene Oxide (ETO), 0-10 ppm	2,150.00
66-6311-10	T3A sensor/transmitter with j-box, Formaldehyde (HCHO), 0-10 ppm	2,150.00
66-6340-10	T3A sensor/transmitter with j-box, Hydrocarbon (CH4), 0-100% LEL catalytic	1,500.00
66-6351-10	T3A sensor/transmitter with j-box, Hydrocarbon (CH4) 0-100% LEL, IR	2,150.00
66-6352-99	T3A sensor/transmitter with j-box, Hydrocarbon (CH4) 0-100% vol, IR	2,150.00
66-6353-10	T3A sensor/transmitter with j-box, Hydrocarbon (HC) 0-100% LEL, IR	2,150.00
66-6339-40	T3A sensor/transmitter with j-box, Hydrogen (H2), 0-100% LEL (0-4% vol), EC	2,150.00
66-6304-20	T3A sensor/transmitter with j-box, Hydrogen Chloride (HCl), 0-20 ppm.....	2,150.00
66-6304-30	T3A sensor/transmitter with j-box, Hydrogen Chloride (HCl), 0-30 ppm.....	2,150.00
66-6304-99	T3A sensor/transmitter with j-box, Hydrogen Chloride (HCl), 0-100 ppm	1,670.00
66-6305-50	T3A sensor/transmitter with j-box, Hydrogen Cyanide (HCN), 0-50 ppm	1,670.00
66-6314-10	T3A sensor/transmitter with j-box, Hydrogen Fluoride (HF), 0-10 ppm	2,150.00
66-6303-01	T3A sensor/transmitter with j-box, Hydrogen Sulfide (H2S), 0-10 ppm	1,500.00
66-6303-02	T3A sensor/transmitter with j-box, Hydrogen Sulfide (H2S), 0-25 ppm	1,500.00
66-6303-05	T3A sensor/transmitter with j-box, Hydrogen Sulfide (H2S), 0-50 ppm	1,500.00
66-6303-10	T3A sensor/transmitter with j-box, Hydrogen Sulfide (H2S), 0-100 ppm.....	1,500.00
66-6303-50	T3A sensor/transmitter with j-box, Hydrogen Sulfide (H2S), 0-500 ppm.....	1,670.00
66-6303-2K	T3A sensor/transmitter with j-box, Hydrogen Sulfide (H2S), 0-2000 ppm	1,670.00
66-6307-25	T3A sensor/transmitter with j-box, Nitric Oxide (NO), 0-250 ppm	1,670.00
66-6308-20	T3A sensor/transmitter with j-box, Nitrogen Dioxide (NO2), 0-20 ppm	1,670.00
66-6302-25	T3A sensor/transmitter with j-box, Oxygen (O2) capillary, 0-25%	1,670.00
66-6309-05	T3A sensor/transmitter with j-box, Ozone (O3), 0-5 ppm.....	2,150.00
66-6309-99	T3A sensor/transmitter with j-box, Ozone (O3), 0-100 ppm.....	2,150.00
66-6315-05	T3A sensor/transmitter with j-box, Phosphine (PH3), 0-5 ppm	2,310.00
66-6310-20	T3A sensor/transmitter with j-box, Sulfur Dioxide (SO2), 0-20 ppm	1,670.00

T3A Series 3-Wire Explosion Proof Transmitter with Relays

ORDERING INFORMATION: To order a T3A with two relays, add -R to the end of the part # and \$260 to the price.

Fixed Systems Sensors & Transmitters

T3A Calibration Kits

Instrument #	Cal-Kit Part #	Cal-Kit Description	Price
Chlorine	81-T1203-LV	Cal kit, T2A/T3A, 34AL cyl Cl2 2 ppm in N2, regulator, case, XP cal cup, and tubing	605.00
	81-T1220-LV	Cal kit, T2A/T3A, 34AL cyl Cl2 5 ppm in N2, regulator, case, XP cal cup, and tubing	625.00
HydrogenChloride	81-T0430-LV	Cal kit, T2A/T3A, 34AL cyl HCl 5 ppm in N2, regulator, case, XP cal cup, and tubing	685.00
HydrogenFluoride	81-T1410-LV	Cal kit, T2A/T3A for HF, 34AL cyl Cl2 2 ppm in N2, regulator, case, XP cal cup, and tubing	625.00
HydrogenSulfide	81-T0310-LV	Cal kit, T2A/T3A, 34AL cyl H2S 25 ppm in N2, regulator, case, XP cal cup, and tubing	535.00
Isobutane LEL	81-T6310-LV	Cal kit, T2A/T3A, 34L cyl isobutane in air, regulator, case, XP cal cup, and tubing	460.00
Methane LEL	81-T4010	Cal kit, T3A, 103L cyl Methane 50% LEL in air, regulator, case, XP cal cup, and tubing	495.00
	81-T4010-LV	Cal kit, T3A, 34L cyl Methane 50% LEL in air, regulator, case, XP cal cup, and tubing	460.00
NitricOxide	81-T0725-LV	Cal kit, T2A/T3A, 34AL cyl NO 25 ppm in N2, regulator, case, XP cal cup, and tubing	665.00
Phosphine	81-T1505-LV	Cal kit, T2A/T3A, 34AL cyl PH3 0.5 ppm in N2, regulator, case, XP cal cup, and tubing	665.00
Propane LEL	81-T5310	Cal kit, T3A, 103L cyl Propane 50% LEL in air, regulator, case, XP cal cup, and tubing	495.00
	81-T5310-LV	Cal kit, T3A, 34L cyl Propane 50% LEL in air, regulator, case, XP cal cup, and tubing	440.00

Replacement Parts and Accessories for T3A

Part#	Description	Suggested Retail
30-0960	Sample drawing adapter for T2A/T3A/VOC Pro/AirLink products with aspirator and brass fittings	550.00
30-0960-01	Flow through adapter for T2A/T3A/VOC Pro/AirLink products with brass fittings only	180.00
30-0960-02	Flow through adapter for T2A/T3A/VOC Pro/AirLink products with flow meter and brass fittings	320.00
30-0960-03	Flow through adapter for T2A/T3A/VOC Pro/AirLink products with flow meter, valve, and brass fittings...	360.00
47-5110-5-XX	Cable with 5-pin connector to remote mount sensor for explosion proof and non-explosion proof, price per foot (specify length in place of -XX)	7.90
61-2001	Remote sensor mounting kit, explosion proof with 5-pin connector for T3A/AirLink T3A/VOC Pro/AirLink VOC Pro (order cable separate)	450.00
81-1183	Cal cup with 3 ft 1/8" ID x 1/4" OD teflon tubing for T2A/T3A/VOC Pro/AirLink 6900 type detectors	175.00
81-1184	Rain guard for T2A/T3A/VOC Pro type explosion proof detector.....	20.00
82-0101RK	Magnetic wand, for M2A-XL/T2A/T3A/VOC Pro/Air Alert/AirLink Transmitters	20.00
Z2000-CAP-ASSY	Sensor housing cap with flame arrestor and O-ring, for T3A/VOC Pro/6900/6940XP Airlink products and T2A/T3A	210.00
Z6000-XRB-PCA	Radio/Relay board with relay components installed, for T3A/VOC Pro	260.00

Fixed Systems Sensors & Transmitters

T3A Replacement Sensors

Part#	Description	Suggested Retail
66-0006N-1	Sensor, Ammonia (NH3) for up to 100 ppm full scale, Nemoto, EC type	400.00
66-0006-2	Sensor, Ammonia (NH3) high range, covers full scale from 200 to 1000 ppm, Semeatech, EC type	400.00
66-0068	Sensor, Arsine (AsH3) 0 - 1 ppm, EC type	900.00
66-0054	Sensor, Carbon Dioxide (CO2) 0 - 5000 ppm, IR type	900.00
66-0050	Sensor, Carbon Dioxide (CO2) 0 - 5 % volume, IR type	900.00
66-0001	Sensor, Carbon Monoxide (CO) covers full scale up to 0 - 1000 ppm, EC type	220.00
66-0012	Sensor, Chlorine (Cl2) covers full scale up to 20 ppm, EC type.....	400.00
66-0013	Sensor, Chlorine Dioxide (ClO2) covers full scale up to 5 ppm, EC type	400.00
66-0040	Sensor, Hydrocarbons (CH4) 0 - 100 % LEL, catalytic type	220.00
66-0051	Sensor, Hydrocarbons (CH4) 0 - 100 % LEL, IR type	900.00
66-0053	Sensor, Hydrocarbons (HC) 0-100% LEL, IR type	900.00
66-0052	Sensor, Hydrocarbons (CH4) 0 - 100 % volume, IR type	900.00
66-0016	Sensor, Ethylene Oxide (ETO) 0 - 10 ppm, EC type	900.00
66-0011	Sensor, Formaldehyde (HCHO) 0 - 10 ppm, EC type	900.00
66-0039	Sensor, Hydrogen (H2) 0 - 100% LEL (0-4% vol), EC type	900.00
66-0004-1	Sensor, Hydrogen Chloride (HCl) covers full scale up to 20 ppm, EC type	900.00
66-0004-2	Sensor, Hydrogen Chloride (HCl) covers full scale up to 200 ppm, EC type.....	900.00
66-0005	Sensor, Hydrogen Cyanide (HCN) 0 - 50 ppm, EC type	400.00
66-0014	Sensor, Hydrogen Fluoride (HF) 0 - 10 ppm, EC type	900.00
66-0003-1	Sensor, Hydrogen Sulfide (H2S) 0 - 100 ppm, EC type	220.00
66-0003-2	Sensor, Hydrogen Sulfide (H2S) covers full scale from 200 ppm to 2000 ppm, EC type	400.00
66-0007	Sensor, Nitric Oxide (NO) covers full scale up to 250 ppm, EC type	400.00
66-0008	Sensor, Nitrogen Dioxide (NO2) 0 - 20 ppm, EC type	400.00
66-0002	Sensor, Oxygen (O2) 0 - 25 % volume, capillary type	400.00
66-0009-1	Sensor, Ozone (O3) 0 - 5 ppm, EC type	900.00
66-0009-2	Sensor, Ozone (O3) high range sensor covers full scale from 10 ppm to 100 ppm, EC type	900.00
66-0015	Sensor, Phosphine (PH3) 0 - 5 ppm, EC type	1,030.00
66-0010	Sensor, Sulfur Dioxide (SO2) 0 - 20 ppm, EC type	400.00

Fixed Systems Sensors & Transmitters

VOC Pro PID Series Explosion Proof Transmitter without Relays, Class I, Div 1

ORDERING INFORMATION: All VOC Pro pricing includes the sensor and explosion proof housing.



10.6 eV Lamp, High PPM Range PID

<u>Part#</u>	<u>Description</u>	<u>Suggested Retail</u>
66-6193-10	VOC Pro (10.6 eV PID) 0-100 ppm, high range sensor/transmitter with j-box	2,700.00
66-6193-50	VOC Pro (10.6 eV PID) 0-500 ppm, high range sensor/transmitter with j-box	2,700.00
66-6193-2K	VOC Pro (10.6 eV PID) 0-2000 ppm, high range sensor/transmitter with j-box	2,700.00

VOC Pro with 10.6 eV Lamp, Low PPM Range PID

<u>Part#</u>	<u>Description</u>	<u>Suggested Retail</u>
66-6192-01	VOC Pro (10.6 eV PID) 0-10.00 ppm, low range sensor/transmitter with j-box	2,900.00
66-6192-02	VOC Pro (10.6 eV PID) 0-20.00 ppm, low range sensor/transmitter with j-box	2,900.00
66-6192-05	VOC Pro (10.6 eV PID) 0-50.00 ppm, low range sensor/transmitter with j-box	2,900.00

VOC Pro with 10.0 eV Lamp, PID

<u>Part#</u>	<u>Description</u>	<u>Suggested Retail</u>
66-6195-01	VOC Pro (10.0 eV PID) 0-10.00 ppm sensor/transmitter with j-box	2,900.00
66-6195-02	VOC Pro, (10.0 eV PID) 0-20.00 ppm, sensor/transmitter with j-box	2,900.00
66-6195-05	VOC Pro, (10.0 eV PID) 0-50.00 ppm, sensor/transmitter with j-box	2,900.00
66-6195-10	VOC Pro, (10.0 eV PID) 0-100.00 ppm, sensor/transmitter with j-box	2,900.00

VOC Pro with 11.7 eV Lamp, PID

<u>Part#</u>	<u>Description</u>	<u>Suggested Retail</u>
66-6194-10	VOC Pro (11.7 eV PID) 0-100 ppm sensor/transmitter with j-box	3,400.00

VOC Series 3-Wire Explosion Proof Transmitter with Relays

ORDERING INFORMATION: To order a VOC Pro with two relays, add -R to the end of the above part # and \$260 to the price.

VOC Pro Replacement Sensors

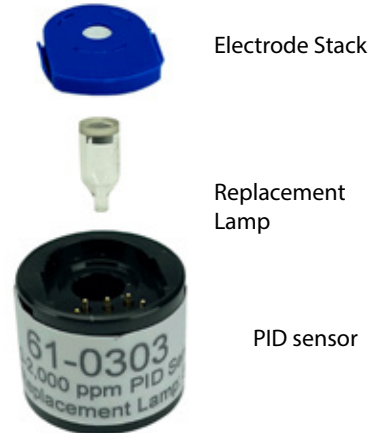
<u>Part#</u>	<u>Description</u>	<u>Suggested Retail</u>
61-0302	Sensor, Volatile Organic Compounds (VOC) 0-50 ppm, 10.6 eV PID, low ppm sensor for VOC Pro, Air Alert, AirLink VOC Pro, AirLink Alert	1,200.00
61-0303	Sensor, Volatile Organic Compounds (VOC) 0-2000 ppm, 10.6 eV PID, high ppm sensor for VOC Pro, Air Alert, AirLink VOC Pro, AirLink Alert	1,000.00
61-0304	Sensor, Volatile Organic Compounds (VOC) 0-100 ppm, 11.7 eV PID for VOC Pro, Air Alert, AirLink VOC Pro, AirLink Alert	1,700.00
61-0305	Sensor, Volatile Organic Compounds (VOC) 0-100 ppm/0-50 ppm for Benzene, 10.0 eV PID for VOC Pro, Air Alert, AirLink VOC Pro, AirLink Alert	1,200.00

Fixed Systems Sensors & Transmitters

VOC Pro Series PID Replacement Lamps and Electrode Stacks

PID Sensor	eV	Replacement Lamp	Electrode Stack
61-0302	10.6	51-1503	33-0560-01
61-0303	10.6		33-0562
61-0305	10.0		33-0563
61-0304	11.7	51-1504	33-0560-01

Part#	Description	Suggested Retail
33-0560-01	Electrode Stack for 10.6 (50 ppm sensor) & 11.7 eV lamps used in EAGLE 2, GX-6000, or VOC Pro (1 electrode)	110.00
33-0562	Electrode Stack for 10.6 eV lamp, 0-2,000/6,000 ppm for EAGLE 2, GX-6000, or VOC Pro, (1 electrode)	64.00
33-0563	Electrode Stack for 10.0 eV lamp, 0-100 ppm (50 ppm benzene) for GX-6000 or VOC Pro (1 electrode)	140.00
51-1503	Replacement lamp only, 0-50/-2000/-6000/ HPPM long life type for any 10.6 eV or 10.0 eV PID.	220.00
51-1504	Replacement lamp, 0-1000 ppm for PID-004, 11.7 eV lamp in GX-6000 or VOC Pro	550.00



Replacement Parts and Accessories for VOC Pro

Part#	Description	Suggested Retail
47-5110-5-XX	Cable with 5-pin connector to remote mount sensor for explosion proof and non-explosion proof, price per foot (specify length in place of -XX)	7.90
43-4163	Fuse, axial lead, 8.5 mm dia x 8 mm tall, 4A, fast acting, 250V	3.00
61-2001	Remote sensor mounting kit, explosion proof with 5-pin connector for T3A/AirLink T3A/VOC Pro/AirLink VOC Pro (order cable separate)	450.00
81-1183	Cal cup with 3 ft 1/8" ID x 1/4" OD teflon tubing for T2A/T3A/VOC Pro/AirLink 6900 type detectors	175.00
81-1184	Rain guard for T2A/T3A/VOC Pro type explosion proof detector	20.00
82-0101RK	Magnetic wand, for M2A-XL/T2A/T3A/VOC Pro/Air Alert/AirLink Transmitters	20.00
82-0120-02	Magnets (2 each) adder hardware for T3A/VOC Pro type j-box	26.00
82-0300RK	PID lamp cleaning kit with removal tool for 10.0 & 10.6 eV lamps only	52.00
Z2000-CAP-ASSY	Sensor housing cap with flame arrestor and O-ring, for T3A/VOC Pro/6900/6940XP Airlink products and T2A/T3A	210.00

VOC Pro Calibration Kits

Instrument #	Cal-Kit Part #	Cal-Kit Description	Price
66-6192-01 66-6192-02 66-6192-05 66-6193-10 66-6194-02 66-6194-05 66-6194-10 66-6195-01 66-6195-02 66-6195-05 66-6195-10	81-T9210 81-T9210-LV	Cal kit, VOC Pro, 103L cyl Isobutylene 10 ppm in air, 103L cyl, Nitrogen 100%, regulator, case, XP cal cup, and tubing Cal kit, VOC Pro, 34L cyl Isobutylene 10 ppm in air, 34L cyl, Nitrogen 100%, regulator, case, XP cal cup, and tubing	645.00 515.00
66-6193-20 66-6193-50 66-6193-1K 66-6193-2K	81-T9320 81-T9320-LV	Cal kit, VOC Pro, 103L cyl Isobutylene 100 ppm in air, 103L cyl, Nitrogen 100%, regulator, case, XP cal cup, and tubing Cal kit, VOC Pro, 34L cyl Isobutylene 100 ppm in air, 34L cyl, Nitrogen 100%, regulator, case, XP cal cup, and tubing	645.00 515.00
66-6195-01 66-6195-02 66-6195-05	81-T9510 81-T9510-LV	Cal kit, VOC Pro, 58AL cyl Benzene 10 ppm in air, 103L cyl, Nitrogen 100%, regulator, case, XP cal cup, and tubing Cal kit, VOC Pro, 34AL cyl Benzene 10 ppm in air, 103L cyl, Nitrogen 100%, regulator, case, XP cal cup, and tubing	645.00 625.00

Fixed Systems Sensors & Transmitters

Air Alert Stand-Alone Non Explosion Proof Transmitter

- Stand alone transmitter
- 115-240 VAC power standard
- AC version available and comes with power cord & cable grip
- Buzzer with 3-color LED for alarms
- Wireless radio option, 900 MHz or 2.4 GHz
- Not equipped with relays



ORDERING INFORMATION:

- 66-5[AC power=A][Sensor Designator]-[Range suffix]-[3 color LEDs=L/Green only LED=G]
[900 MHz radio=W/2.4 MHz radio=Y]
- To order with wireless radio enter W or Y to the end of the part # and add \$260 to the price.

Part#	Description	Suggested Retail
66-5A06-10-L	Air Alert, Ammonia (NH3) 0-100 ppm, AC power, 3-color alarm LED's and buzzer	2,040.00
66-5A06-20-L	Air Alert, Ammonia (NH3) 0-200 ppm, AC power, 3-color alarm LED's and buzzer	2,040.00
66-5A06-30-L	Air Alert, Ammonia (NH3) 0-300 ppm, AC power, 3-color alarm LED's and buzzer	2,040.00
66-5A06-50-L	Air Alert, Ammonia (NH3) 0-500 ppm, AC power, 3-color alarm LED's and buzzer	2,040.00
66-5A06-1K-L	Air Alert, Ammonia (NH3) 0-1000 ppm, AC power, 3-color alarm LED's and buzzer	2,040.00
66-5A68-01-L	Air Alert, Arsine (AsH3) 0-1 ppm, AC power, 3-color alarm LED's and buzzer	2,530.00
66-5A54-05-L	Air Alert, Carbon Dioxide (CO2) 0-5000 ppm, IR, AC power, 3-color alarm LED's and buzzer	2,530.00
66-5A50-05-L	Air Alert, Carbon Dioxide (CO2) 0-5% vol, IR, AC power, 3-color alarm LED's and buzzer	2,530.00
66-5A01-05-L	Air Alert, Carbon Monoxide (CO) 0-500 ppm, AC power, 3-color alarm LED's and buzzer	1,870.00
66-5A01-1K-L	Air Alert, Carbon Monoxide (CO) 0-1000 ppm, AC power, 3-color alarm LED's and buzzer	1,870.00
66-5A12-10-L	Air Alert, Chlorine (Cl2) 0-10 ppm, AC power, 3-color alarm LED's and buzzer	2,040.00
66-5A13-01-L	Air Alert, Chlorine Dioxide (ClO2) 0-1 ppm, AC power, 3-color alarm LED's and buzzer	2,040.00
66-5A13-05-L	Air Alert, Chlorine Dioxide (ClO2) 0-5 ppm, AC power, 3-color alarm LED's and buzzer	2,040.00
66-5A16-10-L	Air Alert, Ethylene Oxide (ETO) 0-10 ppm, AC power, 3-color alarm LED's and buzzer	2,530.00
66-5A11-10-L	Air Alert, Formaldehyde (HCHO) 0-10 ppm, AC power, 3-color alarm LED's and buzzer.....	2,530.00
66-5A64-20-L	Air Alert, Freon (R404A) 0-2000 ppm, AC power, 3-color alarm LED's and buzzer	2,980.00
66-5A65-20-L	Air Alert, Freon (R410A) 0-2000 ppm, AC power, 3-color alarm LED's and buzzer	2,980.00
66-5A51-10-L	Air Alert, Hydrocarbons (CH4) 0-100% LEL, IR, AC power, 3-color alarm LED's and buzzer.....	2,530.00
66-5A52-99-L	Air Alert, Hydrocarbons (CH4) 0-100% vol, IR, AC power, 3-color alarm LED's and buzzer	2,530.00
66-5A53-10-L	Air Alert, Hydrocarbons (HC) 0-100% LEL, IR, AC power, 3-color alarm LED's and buzzer	2,530.00
66-5A39-40-L	Air Alert, Hydrogen (H2) 0-100% LEL (0-4% vol), AC power, 3-color alarm LED's and buzzer	2,530.00
66-5A04-02-L	Air Alert, Hydrogen Chloride (HCl) 0-20 ppm, AC power, 3-color alarm LED's and buzzer	2,520.00
66-5A04-03-L	Air Alert, Hydrogen Chloride (HCl) 0-30 ppm, AC power, 3-color alarm LED's and buzzer	2,530.00
66-5A04-10-L	Air Alert, Hydrogen Chloride (HCl) 0-100 ppm, AC power, 3-color alarm LED's and buzzer	2,530.00
66-5A05-50-L	Air Alert, Hydrogen Cyanide (HCN) 0-50 ppm, AC power, 3-color alarm LED's, and buzzer	2,040.00
66-5A14-10-L	Air Alert, Hydrogen Fluoride (HF) 0-10 ppm, AC power, 3-color alarm LED's and buzzer	2,530.00
66-5A03-01-L	Air Alert, Hydrogen Sulfide (H2S) 0-10 ppm, AC power, 3-color alarm LED's and buzzer	1,870.00
66-5A03-02-L	Air Alert, Hydrogen Sulfide (H2S) 0-25 ppm, AC power, 3-color alarm LED's and buzzer	1,870.00
66-5A03-05-L	Air Alert, Hydrogen Sulfide (H2S) 0-50 ppm, AC power, 3-color alarm LED's and buzzer	1,870.00
66-5A03-10-L	Air Alert, Hydrogen Sulfide (H2S) 0-100 ppm, AC power, 3-color alarm LED's and buzzer	1,870.00
66-5A03-50-L	Air Alert, Hydrogen Sulfide (H2S) 0-500 ppm, AC power, 3-color alarm LED's and buzzer	2,040.00
66-5A03-2K-L	Air Alert, Hydrogen Sulfide (H2S) 0-2000 ppm, AC power, 3-color alarm LED's and buzzer	2,040.00
66-5A08-20-L	Air Alert, Nitrogen Dioxide (NO2) 0-20 ppm, AC power, 3-color alarm LED's and buzzer	2,040.00
66-5A07-25-L	Air Alert, Nitric Oxide (NO) 0-250 ppm, AC power, 3-color alarm LED's and buzzer	2,040.00
66-5A02-25-L	Air Alert, Oxygen (O2) 0-25% vol, AC power, 3-color alarm LED's and buzzer	2,040.00
66-5A09-05-L	Air Alert, Ozone (O3) 0-5 ppm, AC power, 3-color alarm LED's and buzzer	2,530.00
66-5A09-99-L	Air Alert, Ozone (O3) 0-100 ppm, AC power, 3-color alarm LED's and buzzer	2,530.00
66-5A15-05-L	Air Alert, Phosphine (PH3) 0-5 ppm, AC power, 3-color alarm LED's and buzzer	2,670.00
66-5D66-2K-L	Air Alert, Sulfur Hexafluoride (SF6) 0-2000 ppm, DC power, 3-color alarm LED's and buzzer.....	2,980.00
66-5A10-20-L	Air Alert, Sulfur Dioxide (SO2) 0-20 ppm, AC power, 3-color alarm LED's and buzzer.....	2,040.00

Fixed Systems Sensors & Transmitters

Air Alert Stand-Alone Non Explosion Proof Transmitter

Part#	Description	Suggested Retail
66-5A92-01-L	Air Alert, VOC (10.6 eV PID) 0-10 ppm, AC power, 3-color alarm LED's and buzzer	3,100.00
66-5A92-02-L	Air Alert, VOC (10.6 eV PID) 0-20 ppm, AC power, 3-color alarm LED's and buzzer	3,100.00
66-5A92-05-L	Air Alert, VOC (10.6 eV PID) 0-50 ppm, AC power, 3-color alarm LED's and buzzer	3,100.00
66-5A93-10-L	Air Alert, VOC (10.6 eV PID) 0-100 ppm, AC power, 3-color alarm LED's and buzzer	2,920.00
66-5A93-20-L	Air Alert, VOC (10.6 eV PID) 0-200 ppm, AC power, 3-color alarm LED's and buzzer	2,920.00
66-5A93-50-L	Air Alert, VOC (10.6 eV PID) 0-500 ppm, AC power, 3-color alarm LED's and buzzer	2,920.00
66-5A93-1K-L	Air Alert, VOC (10.6 eV PID) 0-1000 ppm, AC power, 3-color alarm LED's and buzzer	2,920.00
66-5A93-2K-L	Air Alert, VOC (10.6 eV PID) 0-2000 ppm, AC power, 3-color alarm LED's and buzzer	2,920.00
66-5A95-01-L	Air Alert, VOC (10.0 eV PID) 0-10 ppm, AC power, 3-color alarm LED's and buzzer	3,100.00
66-5A95-02-L	Air Alert, VOC (10.0 eV PID) 0-20 ppm, AC power, 3-color alarm LED's and buzzer	3,100.00
66-5A95-05-L	Air Alert, VOC (10.0 eV PID) 0-50 ppm, AC power, 3-color alarm LED's and buzzer	3,100.00
66-5A95-10-L	Air Alert, VOC (10.0 eV PID) 0-100 ppm, AC power, 3-color alarm LED's and buzzer	3,100.00
66-5A94-10-L	Air Alert, VOC (11.7 eV PID) 0-100 ppm, AC power, 3-color alarm LED's and buzzer	3,900.00

Air Alert Calibration Kits

Instrument #	Cal-Kit Part #	Cal-Kit Description	Price
Ammonia	81-T0699N-LV	Cal kit, Air Alert/AirLink Alert, 34AL cyl NH3 100 ppm in N2, regulator, case, cal cup for non-XP sensors, and tubing	605.00
Chlorine	81-T1220N-LV	Cal kit, Air Alert/AirLink Alert, 34AL cyl Cl2 5 ppm in N2, regulator, case, cal cup for non-XP sensors, and tubing	505.00
	81-T1220N-LV	Cal kit, Air Alert/AirLink Alert, 34AL cyl Cl2 5 ppm in N2, regulator, case, cal cup for non-XP sensors, and tubing	505.00
HydrogenChloride	81-T0410N-LV	Cal kit, Air Alert/AirLink Alert, 34AL cyl HCl 5 ppm in N2, regulator, case, cal cup for non-XP sensors, and tubing	565.00
HydrogenFluoride	81-T1410N-LV	Cal kit, Air Alert/AirLink Alert for HF, 34AL cyl Cl2 2 ppm in N2, regulator, case, cal cup for non-XP sensors, and tubing	505.00
SulfurDioxide	81-T1020N	Cal kit, Air Alert/AirLink Alert, 58AL cyl SO2 5 ppm in N2, regulator, case, cal cup for non-XP sensors, and tubing	385.00

Fixed Systems Sensors & Transmitters

Air Alert Stand-Alone Non Explosion Proof Transmitter with Relays

- Stand alone transmitter
- 115-240 VAC power standard
- AC version available and comes with power cord & cable grip
- 2 Relays
- Alarm buzzer or LED's not available
- Wireless radio option, 900 MHz or 2.4 GHz



ORDERING INFORMATION:

- 66-5[AC power=A][Sensor Designator]-[Range suffix]-[Relays=R]
[900 MHz radio=W/2.4 MHz radio=Y]
- To order with wireless radio enter W or Y to the end of the part # and add \$260 to the price.

Part#	Description	Suggested Retail
66-5A06-10-R	Air Alert, Ammonia (NH3) 0-100 ppm, AC power, 2 relays	1,650.00
66-5A06-20-R	Air Alert, Ammonia (NH3) 0-200 ppm, AC power, 2 relays	1,650.00
66-5A06-30-R	Air Alert, Ammonia (NH3) 0-300 ppm, AC power, 2 relays	1,650.00
66-5A06-50-R	Air Alert, Ammonia (NH3) 0-500 ppm, AC power, 2 relays	1,650.00
66-5A06-1K-R	Air Alert, Ammonia (NH3) 0-1000 ppm, AC power, 2 relays	1,650.00
66-5A68-01-R	Air Alert, Arsine (AsH3) 0-1 ppm, AC power, 2 relays	2,145.00
66-5A54-05-R	Air Alert, Carbon Dioxide (CO2) 0-5,000 ppm IR, AC power, 2 relays	2,145.00
66-5A50-05-R	Air Alert, Carbon Dioxide (CO2) 0-5% vol, IR, AC power, 2 relays	2,145.00
66-5A01-03-R	Air Alert, Carbon Monoxide (CO) 0-300 ppm, AC power, 2 relays	1,480.00
66-5A01-1K-R	Air Alert, Carbon Monoxide (CO) 0-1000 ppm, AC power, 2 relays	1,480.00
66-5A12-10-R	Air Alert, Chlorine (Cl2) 0-10 ppm, AC power, 2 relays	1,650.00
66-5A13-01-R	Air Alert, Chlorine Dioxide (ClO2) 0-1 ppm, AC power, 2 relays	1,650.00
66-5A13-05-R	Air Alert, Chlorine Dioxide (ClO2) 0-5 ppm, AC power, 2 relays	1,650.00
66-5A16-10-R	Air Alert, Ethylene Oxide (ETO) 0-10 ppm, AC power, 2 relays	2,150.00
66-5A11-10-R	Air Alert, Formaldehyde (HCHO) 0-10 ppm, AC power, 2 relays	2,150.00
66-5A64-20-R	Air Alert, Freon (R404A) 0-2000 ppm, AC power, 2 relays	2,560.00
66-5A65-20-R	Air Alert, Freon (R410A) 0-2000 ppm, AC power, 2 relays	2,560.00
66-5A51-10-R	Air Alert, Hydrocarbons (CH4) 0-100% LEL, IR, AC power, 2 relays	2,150.00
66-5A52-99-R	Air Alert, Hydrocarbons (CH4) 0-100% VOL, IR, AC power, 2 relays	2,150.00
66-5A53-10-R	Air Alert, Hydrocarbons (HC) 0-100% LEL, IR, AC power, 2 relays	2,150.00
66-5A39-40-R	Air Alert, Hydrogen (H2) 0-100% LEL (0-4% vol), EC sensor, AC power, 2 relays	2,150.00
66-5A04-02-R	Air Alert, Hydrogen Chloride (HCl) 0-20 ppm, AC power, 2 relays	2,145.00
66-5A04-03-R	Air Alert, Hydrogen Chloride (HCl) 0-30 ppm, AC power, 2 relays	2,145.00
66-5A04-10-R	Air Alert, Hydrogen Chloride (HCl) 0-100 ppm, AC power, 2 relays	2,145.00
66-5A05-50-R	Air Alert, Hydrogen Cyanide (HCN) 0-50 ppm, AC power, 2 relays	1,650.00
66-5A14-10-R	Air Alert, Hydrogen Fluoride (HF) 0-10 ppm, AC power, 2 relays	2,145.00
66-5A03-01-R	Air Alert, Hydrogen Sulfide (H2S) 0-10 ppm, AC power, 2 relays	1,480.00
66-5A03-02-R	Air Alert, Hydrogen Sulfide (H2S) 0-25 ppm, AC power, 2 relays	1,480.00
66-5A03-05-R	Air Alert, Hydrogen Sulfide (H2S) 0-50 ppm, AC power, 2 relays	1,480.00
66-5A03-10-R	Air Alert, Hydrogen Sulfide (H2S) 0-100 ppm, AC power, 2 relays	1,480.00
66-5A03-50-R	Air Alert, Hydrogen Sulfide (H2S) 0-500 ppm, AC power, 2 relays	1,650.00
66-5A03-2K-R	Air Alert, Hydrogen Sulfide (H2S) 0-2000 ppm, AC power, 2 relays	1,650.00
66-5A07-25-R	Air Alert, Nitric Oxide (NO) 0-250 ppm, AC power, 2 relays	1,650.00
66-5A08-20-R	Air Alert, Nitrogen Dioxide (NO2) 0-20 ppm, AC power, 2 relays	1,650.00
66-5A02-25-R	Air Alert, Oxygen (O2) 0-25% vol, AC power, 2 relays	1,650.00
66-5A09-05-R	Air Alert, Ozone (O3) 0-5 ppm, AC power, 2 relays	2,145.00
66-5A09-99-R	Air Alert, Ozone (O3) 0-100 ppm, AC power, 2 relays	2,145.00
66-5A15-05-R	Air Alert, Phosphine (PH3) 0-5 ppm, AC power, 2 relays	2,285.00
66-5A10-20-R	Air Alert, Sulfur Dioxide (SO2) 0-20 ppm, AC power, 2 relays	1,650.00
66-5A66-2K-R	Air Alert, Sulfur Hexafluoride (SF6) 0-2000 ppm, AC power, 2 relays	2,560.00

Fixed Systems Sensors & Transmitters

Air Alert Stand-Alone Non Explosion Proof Transmitter with Relays

Part#	Description	Suggested Retail
66-5A92-01-R	Air Alert, VOC (10.6 eV PID) 0-10 ppm, AC power, 2 relays	2,725.00
66-5A92-02-R	Air Alert, VOC (10.6 eV PID) 0-20 ppm, AC power, 2 relays	2,725.00
66-5A92-05-R	Air Alert, VOC (10.6 eV PID) 0-50 ppm, AC power, 2 relays	2,725.00
66-5A93-10-R	Air Alert, VOC (10.6 eV PID) 0-100 ppm, AC power, 2 relays	2,535.00
66-5A93-20-R	Air Alert, VOC (10.6 eV PID) 0-200 ppm, AC power, 2 relays	2,535.00
66-5A93-50-R	Air Alert, VOC (10.6 eV PID) 0-500 ppm, AC power, 2 relays	2,535.00
66-5A93-1K-R	Air Alert, VOC (10.6 eV PID) 0-1000 ppm, AC power, 2 relays	2,535.00
66-5A93-2K-R	Air Alert, VOC (10.6 eV PID) 0-2000 ppm, AC power, 2 relays	2,535.00
66-5A95-01-R	Air Alert, VOC (10.0 eV PID) 0-10 ppm, AC power, 2 relays	2,535.00
66-5A95-02-R	Air Alert, VOC (10.0 eV PID) 0-20 ppm, AC power, 2 relays	2,535.00
66-5A95-05-R	Air Alert, VOC (10.0 eV PID) 0-50 ppm, AC power, 2 relays	2,535.00
66-5A95-10-R	Air Alert, VOC (10.0 eV PID) 0-100 ppm, AC power, 2 relays	2,535.00
66-5A94-10-R	Air Alert, VOC (11.7 eV PID) 0-100 ppm, AC power, 2 relays	3,350.00

Fixed Systems Sensors & Transmitters

Replacement Parts and Accessories for Air Alert

Part#	Description	Suggested Retail
47-5110-5-XX	Cable with 5-pin connector to remote mount sensor for explosion proof and non-explosion proof, price per foot (specify length in place of -XX)	7.90
61-2000	Remote sensor mounting kit for Air Alert, non-explosion proof (order cable separately)	190.00
81-1185	Cal cup with 3 ft 1/8" ID x 1/4" OD teflon tubing, for non explosion proof Air Alert and AirLink Alert type detectors	45.00
81-1186	Cal cup for Freon sensor with 3 ft tubing, non explosion proof Air Alert and AirLink Alert type detectors	190.00
ZA-SD-CAP-ASSY	Flow through adapter, for Air Alert/AirLink Alert	165.00

Air Alert Replacement Sensors

Part#	Description	Suggested Retail
66-0006-1	Sensor, Ammonia (NH3) covers full scale up to 100 ppm, EC type	400.00
66-0006-2	Sensor, Ammonia (NH3) high range, covers full scale from 200 to 1000 ppm, Semeatech, EC type	400.00
66-0068	Sensor, Arsine (AsH3) 0 - 1 ppm, EC type	900.00
66-0054	Sensor, Carbon Dioxide (CO2) 0 - 5000 ppm, IR type	900.00
66-0050	Sensor, Carbon Dioxide (CO2) 0 - 5 % volume, IR type	900.00
66-0001	Sensor, Carbon Monoxide (CO) covers full scale up to 0 - 1000 ppm, EC type	220.00
66-0012	Sensor, Chlorine (Cl2) covers full scale up to 20 ppm, EC type	400.00
66-0013	Sensor, Chlorine Dioxide (ClO2) covers full scale up to 5 ppm, EC type	400.00
66-0016	Sensor, Ethylene Oxide (ETO) 0 - 10 ppm, EC type	900.00
66-0011	Sensor, Formaldehyde (HCHO) 0 - 10 ppm, EC type	900.00
66-0064	Sensor, Freon 404A (R-404A) 0 - 2000 ppm, IR type for Air Alert	1,350.00
66-0065	Sensor, Freon 410A (R-410A) 0 - 2000 ppm, IR type for Air Alert	1,350.00
66-0040	Sensor, Hydrocarbons (CH4) 0 - 100 % LEL, catalytic type	220.00
66-0051	Sensor, Hydrocarbons (CH4) 0 - 100 % LEL, IR type	900.00
66-0052	Sensor, Hydrocarbons (CH4) 0 - 100 % volume, IR type	900.00
66-0053	Sensor, Hydrocarbons (HC) 0-100% LEL, IR type	900.00
66-0039	Sensor, Hydrogen (H2) 0 - 100% LEL (0-4% vol), EC type	900.00
66-0004-1	Sensor, Hydrogen Chloride (HCl) covers full scale up to 20 ppm, EC type	400.00
66-0004-2	Sensor, Hydrogen Chloride (HCl) covers full scale up to 200 ppm, EC type	400.00
66-0005	Sensor, Hydrogen Cyanide (HCN) 0 - 50 ppm, EC type	400.00
66-0014	Sensor, Hydrogen Fluoride (HF) 0 - 10 ppm, EC type	900.00
66-0003-1	Sensor, Hydrogen Sulfide (H2S) 0 - 100 ppm, EC type	220.00
66-0003-2	Sensor, Hydrogen Sulfide (H2S) covers full scale from 200 ppm to 2000 ppm, EC type	400.00
66-0007	Sensor, Nitric Oxide (NO) covers full scale up to 250 ppm, EC type	400.00
66-0008	Sensor, Nitrogen Dioxide (NO2) 0 - 20 ppm, EC type	400.00
66-0002	Sensor, Oxygen (O2) 0 - 25 % volume, capillary type	400.00
66-0009-1	Sensor, Ozone (O3) 0 - 5 ppm, EC type	900.00
66-0009-2	Sensor, Ozone (O3) high range sensor covers full scale from 10 ppm to 100 ppm, EC type	900.00
66-0015	Sensor, Phosphine (PH3) 0 - 5 ppm, EC type	1,025.00
66-0010	Sensor, Sulfur Dioxide (SO2) 0 - 20 ppm, EC type	400.00
66-0066	Sensor, Sulfur Hexafluoride (SF6) 0-2000 ppm, EC type	1,350.00
61-0302	Sensor, Volatile Organic Compounds (VOC) 0-50 ppm, 10.6 eV PID, low ppm sensor for VOC Pro, Air Alert, AirLink VOC Pro, AirLink Alert	1,200.00
61-0303	Sensor, Volatile Organic Compounds (VOC) 0-2000 ppm, 10.6 eV PID, high ppm sensor for VOC Pro, Air Alert, AirLink VOC Pro, AirLink Alert	1,000.00
61-0305	Sensor, Volatile Organic Compounds (VOC) 0-100 ppm/0-50 ppm for Benzene, 10.0 eV PID for VOC Pro, Air Alert, AirLink VOC Pro, AirLink Alert	1,200.00
61-0304	Sensor, Volatile Organic Compounds (VOC) 0-100 ppm, 11.7 eV PID for VOC Pro, Air Alert, AirLink VOC Pro, AirLink Alert	1,700.00

Fixed Systems Sensors & Transmitters

SD-1 GP Explosion Proof Transmitter LEL Catalytic, 4-20mA Transmitter

Part#	Description	Suggested Retail
SD-1GP-XXX	SD-1GP detector head, LEL 0 - 100% catalytic type, replace XXX with specified gas, 4-20 mA transmitter	850.00
SD-1GP-ACN	SD-1GP detector head, Acrylonitrile (ACN) 0 - 100% LEL, 4-20 mA transmitter	850.00
SD-1GP-CH4	SD-1GP detector head, Methane (CH4) 0 - 100% LEL, 4-20 mA transmitter	850.00
SD-1GP-H2	SD-1GP detector head, Hydrogen (H2) 0 - 100% LEL, 4-20 mA transmitter	850.00



GP

SD-1 RI Explosion Proof Transmitter LEL Infrared, 4-20mA Transmitter

Part#	Description	Suggested Retail
SD-1DRI-AS-IPA	SD-1DRI-AS detector head, Isopropyl Alcohol (IPA) 0 - 100% LEL, 4-20 mA transmitter, air aspirator type	4,150.00
SD-1DRI-IC4H10	SD-1DRI detector head, Isobutane (C4H10) 0 - 100% LEL, 4-20 mA transmitter with sample adapter (flow through chamber) ...	1,650.00
SD-1DRI-CH4	SD-1DRI detector head, methane (CH4) 0 - 100% LEL, 4-20 mA transmitter with sample adapter (flow through chamber) ...	1,650.00
SD-1RI-CO2-02	SD-1RI detector head, Carbon Dioxide (CO2) 0-10,000 ppm infrared type, 4-20 mA transmitter	1,400.00
SD-1RI-CO2-04	SD-1RI detector head, Carbon Dioxide (CO2) 0-20% vol infrared type, 4-20 mA transmitter	1,400.00
SD-1RI-XXX	SD-1RI detector head, LEL infrared type, replace XXX with specified gas, 4-20 mA transmitter	1,400.00



RI

SD-1 GH Explosion Proof Transmitter Semiconductor, 4-20mA Transmitter

Part#	Description	Suggested Retail
SD-1GH-XXX	SD-1GH detector head, semiconductor type, replace XXX with specified gas, 4-20 mA transmitter	995.00
SD-1GH-ACN	SD-1GH detector head, Acrylonitrile (ACN) 0-100 ppm, 4-20 mA transmitter	995.00
SD-1GH-EO-1K	SD-1GH detector head, Ethylene Oxide (C2H4O) 0-1000 ppm with SG-8521, 4-20 mA transmitter	995.00
SD-1DGH-H500	SD-1GH detector head, Hexane (C4H10) 0-500 ppm, 4-20 mA transmitter with sample adapter (flow through chamber) ...	1,550.00



GH

SD-1 EC Explosion Proof Transmitter Electrochemical, 4-20mA Transmitter

Part#	Description	Suggested Retail
SD-1EC-CO-75	SD-1EC detector head, Carbon Monoxide (CO) 0 - 75 ppm, 4-20 mA transmitter	1,295.00
SD-1EC-H2S-30	SD-1 EC detector head, Hydrogen Sulfide (H2S) 0 - 30 ppm, 4-20 mA	1,295.00



EC

SD-1 OX Explosion Proof Transmitter Oxygen, 4-20mA Transmitter

Part#	Description	Suggested Retail
SD-1OX	SD-1OX detector head, Oxygen (O2) 0 - 25% vol, 4-20 mA transmitter	1,195.00



OX

Fixed Systems Sensors & Transmitters

SD-1 GP Explosion Proof Transmitter LEL Catalytic - HART Communication (no relay)

<u>Part#</u>	<u>Description</u>	<u>Suggested Retail</u>
SD-1GP-CH4-H	SD-1GP detector head, Methane (CH4) 0 - 100% LEL with HART communication (no relay)	850.00
SD-1GP-H2-H	SD-1GP detector head, Hydrogen (H2) 0 - 100% LEL with HART communication (no relay)	850.00



SD-1 RI Explosion Proof Transmitter LEL Infrared - HART Communication (no relay)

<u>Part#</u>	<u>Description</u>	<u>Suggested Retail</u>
SD-1DRI-XXX-H	SD-1DRI detector head, LEL 0 - 100% infrared type with sample adapter hardware (flow through chamber) and HART communication (no relay), replace XXX with specified gas	1,650.00
SD-1DRIAS-XXX-H	SD-1DRI detector head, LEL 0 - 100% infrared type with air aspirator hardware and HART communication (no relay), replace XXX with specified gas	4,150.00



SD-1 GH Explosion Proof Transmitter Semiconductor - HART Communication (no relay)

<u>Part#</u>	<u>Description</u>	<u>Suggested Retail</u>
SD-1GH-XXX-H	SD-1GH detector head, semiconductor type with HART communication (no relay), replace XXX with specified gas	995.00
SD-1DGH-H500-H	SD-1GH-H500-H detector head, Hexane (C4H10) 0-500 ppm with HART communication (no relay), with sample adapter (flow through chamber)	1,600.00



SD-1 EC Explosion Proof Transmitter Electrochemical - HART Communication (no relay)

<u>Part#</u>	<u>Description</u>	<u>Suggested Retail</u>
SD-1EC-H2S-H	SD-1EC detector head, Hydrogen Sulfide (H2S) 0 - 30 ppm with HART communication (no relay)	1,295.00



SD-1 OX Explosion Proof Transmitter Oxygen - HART Communication (no relay)

<u>Part#</u>	<u>Description</u>	<u>Suggested Retail</u>
SD-1OX-H	SD-1OX detector head, Oxygen (O2) 0 - 25% vol with HART communication (no relay)	1,195.00



Fixed Systems Sensors & Transmitters

SD-1 RI Explosion Proof Transmitter LEL Infrared - HART & SIL2 (no relay)

<u>Part#</u>	<u>Description</u>	<u>Suggested Retail</u>
SD-1RI-XXX-HS	SD-1RI detector head, infrared type with HART communication & SIL (no relay), replace XXX with specified gas	1,400.00
SD-1DRI-XXX-HS	SD-1DRI detector head, LEL 0 - 100% infrared type with sample adapter hardware (flow through chamber) and HART communication & SIL (no relay), replace XXX with specified gas	1,650.00
SD-1DRIAS-XXXHS	SD-1DRI detector head, LEL 0 - 100%, infrared type with air aspirator and HART communication & SIL (no relay), replace XXX with specified gas	4,150.00



RI

SD-1 EC Explosion Proof Transmitter Electrochemical - HART & SIL2 (no relay)

<u>Part#</u>	<u>Description</u>	<u>Suggested Retail</u>
SD-1EC-CO-HS	SD-1EC detector head, Carbon Monoxide (CO) 0 - 75 ppm with HART communication (no relay)	1,295.00
SD-1EC-H2S-HS	SD-1EC detector head, Hydrogen Sulfide (H2S) 0 - 30 ppm, with HART communication (no relay)	1,295.00



EC

SD-1 OX Explosion Proof Transmitter Oxygen - HART & SIL2 (no relay)

<u>Part#</u>	<u>Description</u>	<u>Suggested Retail</u>
SD-1OX-HS	SD-1OX detector head, Oxygen (O2) 0 - 25% vol with HART communication and SIL (no relay)	1,195.00



OX

SD-1 Replacement Sensors

<u>Part#</u>	<u>Description</u>	<u>Suggested Retail</u>
ES-831-CO	Sensor, Carbon Monoxide (CO) 0-75 ppm for SD-703EC / SD-705EC	495.00
ES-837RP	Sensor, Hydrogen Sulfide (H2S) 0-30 ppm for SD-703EC	500.00
NC-6239	Sensor, LEL combustible (catalytic), NC-6239, plug-in	220.00
NC-6245	Sensor, Combustible 0-100% LEL for sample draw 35-3001, 35-3000, SD-1, and Model 1017	220.00
OS-B11E-A	Sensor, Oxygen (O2) 0-25% vol for SD-1OX	220.00
SG-8511	Sensor, SG-8511, MOS (specify gas and range)	300.00
SG-8521	Sensor, SG-8521, MOS sensor only, ppm (specify gas & range)	300.00
SG-8523	Sensor, SG-8523, MOS, TCE 300, GD-A8V	300.00
SG-8563	Sensor, Ethylene Oxide (ETO), 0 - 1000 ppm replacement sensor	300.00
SG-8563-ETO-100	Sensor, Ethylene Oxide (ETO), 0-100 ppm replacement sensor	300.00
SG-8565	Sensor, Ethanol (C2H5OH), 0 - 2000/5000 ppm replacement sensor	300.00

Note: Consult factory for other sensor types.

SD-1 Replacement Parts & Accessories

<u>Part#</u>	<u>Description</u>	<u>Suggested Retail</u>
21-0254	Sun-shade cover with bracket for pipe mounting for SD-1	260.00
30-0965	Aspirator adapter, sample draw for SD-1, Acetylene (C2H2) solvent gases / corrosive gases	850.00
33-3002	Splash guard, SPG-1 for SD-1GP/GH/RI	54.00
33-3003	Splash guard, SPG-1OX for SD-1OX	54.00
33-3004	Splash guard, SPG-1EC for SD-1EC	52.00
81-1148	Calibration cup for SD-1GP/SD-1GH (except SD-1GH for NH3)	120.00
81-1148-NH3	Calibration cup for SD-1GP (NH3) / SD-1RI	120.00
81-1148-OX	Calibration cup for SD-1 with O2, CO, or H2S	390.00
81-1148-RIGH	Calibration cup for SD-1GH (NH3)/SD-1RI	120.00

Fixed Systems Sensors & Transmitters

SD-1 Calibration Kits

Instrument #	Cal-Kit Part #	Cal-Kit Description	Price
SD-1GH-H2	81-SD-1GH-H22K	Cal Kit, fixed for SD-1GP, 2000 ppm H2/Air 34L, reg, cal cup, case & tubing	550.00
SD-1GP-CH4	81-SD-1GP-CH4LV	Cal Kit, fixed for SD-1GP, 50% LEL CH4/Air 34L, reg, cal cup, case & tubing	420.00
SD-1GP-H2	81-SD-1GP-H2LV	Cal Kit, fixed for SD-1GP, 50% LEL H2/Air 34L, reg, cal cup, case & tubing	420.00
SD-1RI-IC4H10	81-SD-1RI-IBLV	Cal Kit, fixed for SD-1GP, 50% LEL isobutane/Air 34L, reg, cal cup, case & tubing	420.00
	81-SD1GPH2CO-LV	Cal Kit, fixed for SD-1GP, 50% LEL H2 in Air 34L, for SD-1EC, 50 ppm CO in Air 34L, reg, 2 cal cups, case & tubing	835.00

Fixed Systems Sensors & Transmitters

GD-70D Sample Drawing Sensor / Transmitter For Toxic Gases

4-20 mA & Ethernet Output Standard

Part#	Description	Suggested Retail
GD-70DEA-LELCH4	Smart transmitter, GD-70D for Methane (CH4), 0-100% LEL, with ethernet and 4-20 mA outputs	1,495.00
GD-70DEA-LEL-H2	Smart transmitter, GD-70D for Hydrogen (H2), 0-100% LEL, with ethernet and 4-20 mA outputs	1,495.00
GD-70DEA-MX-XXX	Smart transmitter, GD-70D with MOS (Metal Oxide Sensor), with ethernet and 4-20 mA outputs (specify gas & range)	1,595.00
GD-70DEA-OXY-EC	Smart transmitter, GD-70D for Oxygen (O2), 0-25% Vol. with ethernet & 4-20 mA outputs, with EC sensor	1,695.00
GD-70DEA-XXX	Smart transmitter, GD-70D toxic gas monitor with ethernet and 4-20 mA outputs, (XXX denotes the gas, check the chart below)	1,595.00
GD-70DEA-NS	Smart transmitter, GD-70D toxic gas monitor without sensor, with ethernet & 4-20 mA outputs	1,100.00
PLU-70	Pyrolyzer unit only for GD-70D	955.00
TP-70DG2-C4F6	Smart transmitter, GD-70D for Hexafluorobutadiene (C4F6), 0-5.00 ppm	8,200.00
TP-70DG2-C5F8	Smart transmitter, GD-70D for Octafluorocyclopentene (C5F8), 0-5 ppm	8,200.00
TP-70DG2-COS	Smart transmitter, GD-70D for Carbonyl Sulfide (COS), 0-15.0 ppm	8,200.00



GD-70D Toxic Gases & Ranges		
Measurable Gases	Range	Part #
Ammonia	75 ppm	GD-70D-NH3
Arsine	0.2 / 1.5 ppm	GD-70D-ASH3
Boron Trichloride	15 ppm	GD-70D-HCL *
Boron Trifluoride	9 ppm	GD-70D-HF *
Bromine	1 ppm	GD-70D-BR2
Carbon Monoxide	75 ppm (ESU-23)	GD-70D-CO-02
Carbon Monoxide	75 ppm (ESU-231)	GD-70D-CO-12
Carbon Monoxide	150 ppm (ESU-23)	GD-70D-CO-01
Carbon Monoxide	150 ppm (ESU-231)	GD-70D-CO-11
Carbon Monoxide	300 ppm (ESU-23)	GD-70D-CO-03
Carbon Monoxide	300 ppm (ESU-231)	GD-70D-CO-13
Chlorine	3 ppm	GD-70D-CL2
Chlorine Trifluoride	0.6 ppm	GD-70D-CLF3-A
Diborane	0.3 ppm	GD-70D-B2H6
Dichlorosilane	15 ppm	GD-70D-HCL *
Diethylamine	15 ppm	GD-70D-DEA
Dimethylamine	15 ppm	GD-70D-DMA
Disilane	15 ppm	GD-70D-SI2H6
Fluorine	3 ppm	GD-70D-F2
Germane	0.8 ppm	GD-70D-GEH4
Hydrogen Bromide	6 / 9 ppm	GD-70D-HBR-06 / -09
Hydrogen Chloride	6 / 15 ppm	GD-70D-HCL-06E / 15E
Hydrogen Cyanide	15 ppm	GD-70D-HCN
Hydrogen Fluoride	9 ppm	GD-70D-HF-03 / -09
Hydrogen Peroxide	3 ppm	GD-70D-H2O2
Hydrogen Selenide	0.2 ppm	GD-70D-H2SE
Hydrogen Sulfide	1 / 30 ppm	GD-70D-H2S-01 / -30
Nitric Oxide	100 ppm	GD-70D-NO
Nitrogen Dioxide	9 / 15 ppm	GD-70D-NO2-09 / -15
Nitrogen Tetraoxide	15 PPM	GD-70D-N2O4
Ozone	0.6 ppm	GD-70D-O3
Phosphine	1 ppm (ESU-23AH)	GD-70D-PH3-AH
Phosphine	1 ppm (ESU-23DH)	GD-70D-PH3-DH
Silane	15 ppm (ESU-23AH)	GD-70D-SI4-AH
Silane	15 ppm (ESU-23DH)	GD-70D-SI4-DH
Silicon Tetrachloride	15 ppm	GD-70D-HCL *
Silicon Tetrafluoride	9 ppm	GD-70D-HF
Sulfur Dioxide	6 ppm	GD-70D-SO2
Sulfur Tetrafluoride	9 ppm	GD-70D-HF *
Tetraethyl Orthosilicate	15 ppm	GD-70DP-TEOS
Trichlorosilane	15 ppm	GD-70D-HCL *
Trimethylamine	15 ppm	GD-70D-TMA
Tungsten Hexafluoride	9 ppm	GD-70D-HF *

GD-70D MOS Gases & Ranges		
Measurable Gases	Range	Part #
1,1 Dichloroethylene (DCE)	600 ppm	GD-70D-MDCE
Dichloromethane (DME)	2,000 ppm	GD-70D-MDCM
Hydrogen	500 ppm	GD-70D-MH2-S500
Hydrogen	1,000 ppm	GD-70D-MH2-S1K
Hydrogen	2,000 ppm	GD-70D-MH2-S2K
Hydrogen	2% vol	GD-70D-MH2-20K
Isopropyl Alcohol	2,000 ppm	GD-70D-MIPA-2K
Methane	2,000 ppm	GD-70D-MCH4-2K
Methane	5,000 ppm	GD-70D-MCH4-5K
Methane	2% vol	GD-70D-MCH4-20K
Methanol	1,000 ppm	GD-70D-MCH3OH-1
Methanol	2,000 ppm	GD-70D-MCH3OH-2
Propane	2,000 ppm	GD-70D-MC3H8-2K
Propane	5,000 ppm	GD-70D-MC3H8-5K
R-32	2,000 ppm	GD-70D-MR32
R-41	2,000 ppm	GD-70D-MR41

GD-70D LEL (catalytic) & O2 Gases & Ranges		
Measurable Gases	Range	Part #
Hydrogen	100% LEL	GD-70D-LEL-H2
Hydrogen	2% vol	GD-70D-H2-20K
Isobutane	100% LEL	GD-70D-ISOB
Methane	100% LEL	GD-70D-LEL-CH4
Methane	2% vol	GD-70D-CH4-20K
Oxygen	25% vol	GD-70D-OXY-EC

GD-70D with Pyrolyzer



* Gas measured after hydrolysis

Fixed Systems Sensors & Transmitters

GD-70D Sample Drawing Sensor / Transmitter with NEMA 4X Enclosure



GD-70D with NEMA 4X Versions

Part#	Description	Suggested Retail
GD-70D4X-LCH4	Smart transmitter, GD-70D for Methane (CH ₄), 0-100% LEL, with 4-20 mA output in NEMA 4X housing	1,895.00
GD-70D4X-LH220K	Smart transmitter, GD-70D for Hydrogen (H ₂), 0-2.00% Vol., with 4-20 mA output in NEMA 4X housing	1,895.00
GD-70D4X-OXY-EC	Smart transmitter, GD-70D for Oxygen (O ₂), 0-25% Vol. with 4-20 mA output, with EC sensor in NEMA 4X housing	2,095.00
GD-70D4X-XXX	Smart transmitter, GD-70D toxic gas monitor with 4-20 mA output, in NEMA 4X housing (XXX denotes the gas)	2,095.00

GD-70D with NEMA 4X & Power Supply Versions

Part#	Description	Suggested Retail
GD-70D4A-LCH4	Smart transmitter, GD-70D for Methane (CH ₄), 0-100% LEL, with 115/220 VAC in NEMA 4X housing	1,995.00
GD-70D4A-LH2	Smart transmitter, GD-70D for Hydrogen (H ₂), 0-100% LEL, with 115/220 VAC in NEMA 4X housing	1,995.00
GD-70D4A-OXY-EC	Smart transmitter, GD-70D for Oxygen (O ₂), 0-25% Vol., 110/220 VAC, with EC sensor in NEMA 4X housing	2,195.00
GD-70D4A-XXX	Smart transmitter, GD-70D toxic gas monitor with 110/220 VAC, in NEMA 4X housing (XXX denotes the gas)	2,195.00

GD-70D with NEMA 4X & Strobe Versions

Part#	Description	Suggested Retail
GD-70D4S-LCH4	Smart transmitter, GD-70D for Methane (CH ₄), 0-100% LEL, 115/220 VAC in NEMA 4X housing with strobe	2,095.00
GD-70D4S-LH2	Smart transmitter, GD-70D for Hydrogen (H ₂), 0-100% LEL, 115/220 VAC in NEMA 4X housing with strobe	2,095.00
GD-70D4S-OXY-EC	Smart transmitter, GD-70D for Oxygen (O ₂), 0-25% Vol., 110/220 VAC, EC sensor, in NEMA 4X housing with strobe	2,295.00
GD-70D4S-XXX	Smart transmitter, GD-70D toxic gas monitor, 110/220 VAC, in NEMA 4X housing with strobe (XXX denotes the gas)	2,295.00

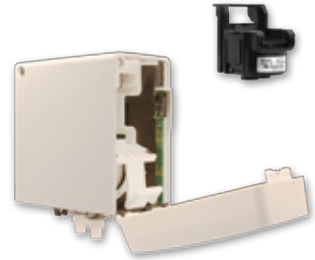
GD-70D with NEMA 4X, Horn, Strobe & Power Supply Versions

Part#	Description	Suggested Retail
GD-70D4H-LISOB	Smart transmitter, GD-70D for Isobutane (CH ₃), 0-100% LEL, 115/220 VAC in NEMA 4X housing, with horn and strobe	2,350.00
GD-70D4H-LEL-H2	Smart transmitter, GD-70D for Hydrogen (H ₂), 0-100% LEL, 115/220 VAC in NEMA 4X housing, with horn and strobe	2,350.00
GD-70D4H-OXY-EC	Smart transmitter, GD-70D for Oxygen (O ₂), 0-25% Vol., 110/220 VAC, EC sensor, in NEMA 4X housing, with horn and strobe ...	2,550.00
GD-70D4H-XXX	Smart transmitter, GD-70D toxic gas monitor, 110/220 VAC, in NEMA 4X housing, with horn and strobe (XXX denotes the gas)	2,550.00

Fixed Systems Sensors & Transmitters

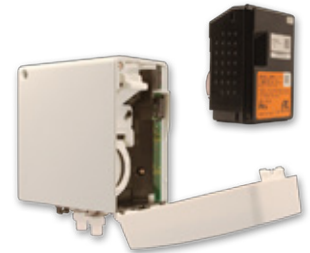
GD-70D Replacement Parts & Accessories

Part#	Description	Suggested Retail
06-1272RK	Tubing, teflon, 6x4mm, PTFE	6.50
06-1275	Tubing, Teflon, PTFE, 1/4 inch OD x 5/32 inch ID	6.50
17-2500RK-01	Nut/ferrule/4x6 tube for GD-70D fitting	5.00
30-1020RK	Pump, RP-70 for GD-70D	55.00
31-1011-01	Flow sensor for GD-70D	120.00
33-0165RK-01	Filter, Millipore, PTFE, disc type, hydrophobic with tubing, EAGLE, Fixed Systems	27.00



GD-70D Replacement Catalytic / Oxygen / TEOS Sensors

Part#	Description	Suggested Retail
ESU-X231-OXY	Smart transmitter, GD-70D for Oxygen (O2), 0-25% with EC sensor	595.00
NCU-6211	Sensor, combustibles, 0-100% LEL, sensor unit	395.00
NCU-6213-CH4	Sensor, Methane (CH4) 0-100% LEL, sensor unit	395.00
SSU-1925-A	Sensor, ionization, GD-70D (Need to specify gas type & range)	495.00
SSU-1927	Sensor, TEOS 0-15 ppm, ionization sensor unit.....	495.00



GD-70D Replacement EC Toxic Sensors

Part#	Description	Suggested Retail
ESU-23R-NH3	Sensor, Ammonia (NH3), 0-75 ppm, sensor/amp unit for GD-70D	495.00
ESU-C23F-S-ASH3	Sensor, Arsine (AsH3), 0-50 ppb, sensor/amp unit for GD-70D	900.00
ESU-C23F-ASH3	Sensor, Arsine (AsH3), 0-0.20 ppm, sensor/amp unit for GD-70D	495.00
ESU-K233-BR2	Sensor, Bromine (Br2), 0-1.0 ppm, sensor/amp unit for GD-70D	495.00
ESU-23RVM-BTBAS	Sensor, BTBAS (C8H22NSi),0-15.00 PPM,for GD-70D	495.00
ESU-23-CO-150	Sensor, Carbon Monoxide (CO), 0-150 ppm, sensor/amp unit for GD-70D	495.00
ESU-237IF-COS	Sensor, Carbonyl Sulfide (COS), 0-15.0 ppm for TP-70DGII	495.00
ESU-K235-CL2-3	Sensor, Chlorine (Cl2), 0-3.0 ppm, sensor/amp unit for GD-70D	495.00
ESU-K235L-CL2-3	Sensor, Chlorine (Cl2), 0-3.00 PPM, sensor/amp unit for GD-70D, for low-humidity applications	495.00
ESU-K233CS-CLF3	Sensor, Chlorine Trifluoride (ClF3), 0-0.60 ppm, sensor/amp unit for GD-70D	495.00
ESU-K253-COF2	Sensor, Cobalt Difluorine (COF2), 0-6.00 ppm for GD-70D	495.00
ESU-23AY-B2H6	Sensor, Diborane (B2H6), 0-0.30 ppm, sensor/amp unit for GD-70D	495.00
ESU-23RVM-DEA	Sensor, Diethylamine (C2H5)2NH, 0-15.00 ppm, sensor/amp unit for GD-70D	495.00
ESU-23RVM-DMA	Sensor, Dimethylamine (CH3)2NH, 0-15.00 ppm, sensor/amp unit for GD-70D	495.00
ESU-23DH-SI2H6	Sensor, Disilane (Si2H6), 0-15 ppm, sensor/amp unit for GD-70D (with H2 response)	495.00
ESU-K235-F2-3	Sensor, Fluorine (F2), 0-3.0 ppm, sensor/amp unit for GD-70D	495.00
ESU-K233M-HCOOH	Sensor, Formic Acid (HCOOH), 0-15.0 ppm for GD-70D	495.00
ESU-23DH-GEH4	Sensor, Germane (GeH4), 0-0.80 ppm, sensor/amp unit for GD-70D	495.00
ESU-K235L-C4F6	Sensor, Hexafluorobutadiene (C4F6), 0-5.0 ppm for TP-70DII	495.00
ESU-23E-N2H4	Sensor, Hydrazine (N2H4), 0-5.00 ppm, sensor/amp unit for GD-70D	495.00
ESU-23E-HBR-06	Sensor, Hydrogen Bromide (HBr), 0-6.00 ppm, sensor/amp unit for GD-70D	495.00
ESU-23E-HBR-09	Sensor, Hydrogen Bromide (HBr), 0-9.00 ppm, sensor/amp unit for GD-70D	495.00
ESU-23E-HCL-15	Sensor, Hydrogen Chloride (HCl), 0-15 ppm, sensor/amp unit for GD-70D (standard range)	495.00
ESU-23E-HCL-06	Sensor, Hydrogen Chloride (HCl), 0-6.00 ppm, sensor/amp unit for GD-70D	495.00
ESU-23DH-HCN	Sensor, Hydrogen Cyanide (HCN), 0-15 ppm, sensor/amp unit for GD-70D	495.00
ESU-K233-HF-09	Sensor, Hydrogen Fluoride (HF), 0-9.0 ppm, sensor/amp unit for GD-70D	495.00
ESU-23SD-H2SE	Sensor, Hydrogen Selenide (H2Se), 0-0.20 ppm, sensor/amp unit for GD-70D	495.00
ESU-237IF-H2S30	Sensor, Hydrogen Sulfide (H2S), 0-30 ppm, sensor/amp unit for GD-70D	495.00
ESU-23RVM-MMTA	Sensor, Methylamine (CH3NH2), 0-15 ppm, sensor/amp unit for GD-70D	495.00
ESU-K233-HNO3	Sensor, Nitric Acid (HNO3), 0-20.0 ppm, sensor/amp unit for GD-70D	495.00
ESU-23A-NO	Sensor, Nitric Oxide (NO), 0-100 ppm, sensor/amp unit for GD-70D	495.00
ESU-23AR-NO2-15	Sensor, Nitrogen Dioxide (NO2), 0-15 ppm, sensor/amp unit for GD-70D	495.00
ESU-23AR-NO2-09	Sensor, Nitrogen Dioxide (NO2), 0-9 ppm, sensor/amp unit for GD-70D	495.00
ESU-23AH-D-NF3	Sensor, Nitrogen Trifluoride (NF3), 0-30 ppm, sensor/amp unit for GD-70D	495.00
ESU-K235L-C5F8	Sensor, Octafluorocyclopentene (C5F8), 0-5 ppm sensor/amp unit for GD-70D	495.00
ESU-K239C-S-O3	Sensor, Ozone (O3), 0-0.60 ppm, sensor/amp unit for GD-70D	495.00
ESU-K239C-S-O31	Sensor, Ozone (O3), 0-1.00 ppm, sensor/amp unit for GD-70D	495.00

Fixed Systems Sensors & Transmitters

GD-70D Replacement EC Toxic Sensors (continued)

Part#	Description	Suggested Retail
ESU-23AH-PH3	Sensor, Phosphine (PH3), 0-1.0 ppm, sensor/amp unit for GD-70D (no H2 response)	495.00
ESU-23DH-PH3	Sensor, Phosphine (PH3), 0-1.0 ppm, sensor/amp unit for GD-70D (with H2 response)	495.00
ESU-23AH-SIH4	Sensor, Silane (SiH4), 0-15 ppm, sensor/amp unit for GD-70D (no H2 response)	495.00
ESU-23DH-SIH4	Sensor, Silane (SiH4), 0-15 ppm, sensor/amp unit for GD-70D (with H2 response)	495.00
ESU-238-SO2	Sensor, Sulfur Dioxide (SO2), 0-6.0 ppm, sensor/amp unit for GD-70D	495.00
ESU-23RVM-TMA	Sensor, Trimethylamine ((CH3)3N), 0-15 ppm, sensor/amp unit for GD-70D	495.00
ESU-23DH-TSA	Sensor, Trisilylamine (Si3H9N), 0-15.0 ppm for GD-70D	495.00

GD-70D Replacement MOS Sensors

Part#	Description	Suggested Retail
SGU-8511-C3H6-2	Sensor, Propylene (C3H6), 0 - 2000 ppm, MOS sensor/amp unit for GD-70D	495.00
SGU-8511-C3H6-5	Sensor, Propylene (C3H6), 0 - 5000 ppm, MOS sensor/amp unit for GD-70D	495.00
SGU-8511-C3H8-2	Sensor, Propane (C3H8), 0 - 2000 ppm, MOS sensor/amp unit for GD-70D	495.00
SGU-8511-C3H8-5	Sensor, Propane (C3H8), 0 - 5000 ppm, MOS sensor/amp unit for GD-70D	495.00
SGU-8511-CH4-20	Sensor, Methane (CH4), 0-2.0% vol, MOS sensor/amp unit for GD-70D	495.00
SGU-8511-CH4-5K	Sensor, Methane (CH4), 0 - 5000 ppm, MOS sensor/amp unit for GD-70D	495.00
SGU-8511-H2-20K	Sensor, Hydrogen (H2), 0-2.0% vol, MOS sensor/amp unit for GD-70D	495.00
SGU-8513-DCE-6	Sensor, Dichloroethene (C2H2Cl2), 0 - 600 ppm, MOS sensor/amp unit for GD-70D	600.00
SGU-8521-ACE-1K	Sensor, Acetone (C3H6O), 0-1000 ppm, MOS sensor/amp unit for GD-70D	495.00
SGU-8521-C2H2-2	Sensor, Acetylene (CH2H2), 0 - 2,000 ppm, MOS sensor/amp unit for GD-70D	495.00
SGU-8521-C2H4-2	Sensor, Ethylene (CH2H4), 0 - 2,000 ppm, MOS sensor/amp unit for GD-70D	495.00
SGU-8521-C4F6A	Sensor, Hexafluorobutadiene (C4F6), 0 - 200 ppm, MOS sensor/amp unit for GD-70D	495.00
SGU-8521-CH3CN	Sensor, Acetonitrile (CH3CN), 0 - 2,000 ppm, MOS sensor/amp unit for GD-70D	495.00
SGU-8521-H2-1K	Sensor, Hydrogen (H2), 0-1000 ppm, MOS sensor/amp unit for GD-70D	495.00
SGU-8521-H2-500	Sensor, Hydrogen (H2), 0 - 500 ppm, MOS sensor/amp unit for GD-70D	495.00
SGU-8521-IPA-2K	Sensor, Isopropylalcohol (CH3CHOHCH3), 0-2000 ppm, MOS sensor/amp unit for GD-70D	495.00
SGU-8521-MET-1K	Sensor, Methanol (CH3OH), 0-1000 ppm, MOS sensor/amp unit for GD-70D	495.00
SGU-8521-MET-2K	Sensor, Methanol (CH3OH), 0-2000 ppm, MOS sensor/amp unit for GD-70D	495.00
SGU-8521-R32-2K	Sensor, Difluoromethane (CH2F2), 0-2000 ppm, MOS sensor/amp unit for GD-70D	495.00
SGU-8521-R32-9K	Sensor, Difluoromethane (CH2F2), 0-9000 ppm, MOS sensor/amp unit for GD-70D	495.00
SGU-8521-R41-2K	Sensor, Fluoromethane (CH3OH), 0-2000 ppm, MOS sensor/amp unit for GD-70D	495.00
SGU-8523-DCM-2K	Sensor, Dichloromethane (DCM), 0-2000 ppm, MOS sensor/amp unit for GD-70D	495.00
SGU-8541-H2-1K	Sensor, Hydrogen (H2), 0-1000 ppm, MOS sensor/amp unit for GD-70D	495.00
SGU-8541-H2-2K	Sensor, Hydrogen (H2), 0-2000 ppm, MOS sensor/amp unit for GD-70D	495.00
SGU-8541-H2-4K	Sensor, Hydrogen (H2), 0-4000 ppm, MOS sensor/amp unit for GD-70D	600.00
SGU-8541-H2-500	Sensor, Hydrogen (H2) specific, 0 - 500 ppm, MOS sensor/amp unit for GD-70D	495.00
SGU-8562-COS-2K	Sensor, Carbonyl sulfide (COS), 0 - 2000 ppm, MOS sensor/amp unit for GD-70D	495.00
SGU-8581-CH4-2K	Sensor, Methane (CH4), 0-2000 ppm, MOS sensor/amp unit for GD-70D	495.00

Notes

- Consult factory for additional PPM ranges available.

Fixed Systems Sensors & Transmitters

GD-K88Ai Diffusion Sensor / Transmitter For Toxic Gases With Display

(Intrinsically safe when used with I.S. Barrier)



<u>Part#</u>	<u>Description</u>	<u>Suggested Retail</u>
GD-K88Ai-ASH3	Smart transmitter, GD-K88Ai, Arsine (AsH3), 0-0.2 ppm, IS type	1,250.00
GD-K88Ai-B2H6	Smart transmitter, GD-K88Ai, Diborane (B2H6), 0-0.3 ppm, IS type	1,250.00
GD-K88Ai-BTBAS	Smart transmitter, GD-K88Ai, BTBAS, 0-15 ppm, IS type	1,250.00
GD-K88Ai-CL2	Smart transmitter, GD-K88Ai, Chlorine (Cl2), 0-3.00 ppm, IS type	1,250.00
GD-K88Ai-CO	Smart transmitter, GD-K88Ai, Carbon Monoxide (CO), 0-150 ppm, IS type	1,250.00
GD-K88Ai-H2S-01	Smart transmitter, GD-K88Ai, Hydrogen Sulfide (H2S), 0-1 ppm, IS type	1,250.00
GD-K88Ai-H2S-30	Smart transmitter, GD-K88Ai, Hydrogen Sulfide (H2S), 0-30 ppm, IS type	1,250.00
GD-K88Ai-HCN	Smart transmitter, GD-K88Ai, Hydrogen Cyanide (HCN), 0-15.0 ppm, IS type	1,250.00
GD-K88Ai-NH3	Smart transmitter, GD-K88Ai, Ammonia (NH3), 0-75 ppm, IS type	1,250.00
GD-K88Ai-PH3	Smart transmitter, GD-K88Ai, Phosphine (PH3), 0-1 ppm, IS type	1,250.00
GD-K88Ai-Si2H6	Smart transmitter, GD-K88Ai, Disilane (Si2H6), 0-15 ppm, IS type	1,250.00
GD-K88Ai-SiH4-AH	Smart transmitter, GD-K88Ai, Silane (SiH4), 0-15 ppm, AH sensor, low H2 response, IS type	1,250.00
GD-K88Ai-SiH4-DH	Smart transmitter, GD-K88Ai, Silane (SiH4), 0-15 ppm, DH sensor, with H2 response, IS type	1,250.00

Replacement Sensors

<u>Part#</u>	<u>Description</u>	<u>Suggested Retail</u>
ESM-23-CO	Sensor, Carbon Monoxide (CO), 0-150 ppm, for GD-K88Ai, GD-K71D, GD-K77D, and SC-8000	480.00
ESM-238-SO2	Sensor, Sulfur Dioxide (SO2), 0-6 ppm, for GD-K71D, GD-K77D, and SC-8000	480.00
ESM-23AH-NO2	Sensor, Nitrogen Dioxide (NO2), 0-15 ppm, for GD-K88Ai, GD-K71D, GD-K77D, and SC-8000	480.00
ESM-23AH-PH3	Sensor, Phosphine (PH3), 0-1 ppm, for GD-K88Ai, GD-K71D, GD-K77D, and SC-8000	480.00
ESM-23AH-SiH4	Sensor, Silane (SiH4), 0-15 ppm, low H2 response, for GD-K88Ai, GD-K71D, GD-K77D, and SC-8000	480.00
ESM-23AHS-ASH3	Sensor, Arsine (AsH3), 0-0.2 ppm, for GD-K88Ai, GD-K71D, GD-K77D, and SC-8000	480.00
ESM-23AY-B2H6	Sensor, Diborane (B2H6), 0-0.3 ppm, for GD-K88Ai, GD-K71D, GD-K77D, and SC-8000	480.00
ESM-23DH-GEH4	Sensor, Germane (GeH4), 0-0.8 ppm, for GD-K88Ai, GD-K71D, GD-K77D, and SC-8000	480.00
ESM-23DH-HCN	Sensor, Hydrogen Cyanide (HCN), 0-15 ppm, for GD-K88Ai, GD-K71D, GD-K77D, and SC-8000	480.00
ESM-23DH-MS	Sensor, Methyl Silane (CH3SiH3), 0-20 ppm, for GD-K88Ai, GD-K71D, GD-K77D, and SC-8000	480.00
ESM-23DH-Si2H6	Sensor, Disilane (Si2H6), 0-15 ppm, for GD-K88Ai, GD-K71D, GD-K77D, and SC-8000	480.00
ESM-23DH-SiH4	Sensor, Silane (SiH4), 0-15 ppm, for GD-K88Ai, GD-K71D, GD-K77D, and SC-8000, with H2 response	480.00
ESM-23E-SO2	Sensor, Sulfur Dioxide (SO2), 0-30 ppm, for GD-K88Ai, GD-K71D, GD-K77D, and SC-8000	480.00
ESM-23R-NH3	Sensor, Ammonia (NH3), 0-75 ppm, for GD-K88Ai, GD-K71D, GD-K77D, and SC-8000	480.00
ESM-23RH-NH3	Sensor, Ammonia (NH3), 0-75 ppm, for GD-K88Ai, GD-K71D, GD-K77D, and SC-8000, high humidity use	480.00
ESM-K233-CL2	Sensor, Chlorine (Cl2), 0-3 ppm, for GD-K88Ai, GD-K71D, GD-K77D, and SC-8000	480.00
ESM-K233-HCL	Sensor, Hydrogen Chloride (HCl), 0-15 ppm, for GD-K88Ai, GD-K71D, GD-K77D, and SC-8000	480.00

Notes

- The previously listed gases can be detected with the GD-K88Ai, however a sample drawing system is recommended for: BCl3, HF, HBr, HCl, HCN, and O3.

GD-K88Ai Diffusion Sensor / Transmitter For Toxic Gases With Display

Accessories

<u>Part#</u>	<u>Description</u>	<u>Suggested Retail</u>
21-0401	Housing, polycarbonate with clear cover for up to 4 MTL5500 series barriers	400.00
21-0402	Housing, polyester with clear cover for up to 10 MTL5500 series barriers	1,440.00
43-7013	IS Barrier, isolator, 2- or 3-wire 4-20 mA transmitter or HART, MTL5541	1,500.00
81-1114RK	Cal cup, diffusion, super toxic, GD-K8A, (rim feed)	26.00

AirLink Wireless Controllers & Transmitters

AirLink 7010 Hybrid Controller, 32 & 64 Channels

- Accepts up to 32 or 64 wireless transmitters input
- Hybrid input accepts up to 4 wired 4-20 transmitters in
- 4 programmable alarm relays out
- AC versions come with power cord and cable grip.

900 MHz Radio (Standard for North American use)

Part#	Description	Suggested Retail
74-7910-A-32	Airlink 7010 controller, 32 channels with 100-240 VAC, 900 MHz radio	3,200.00
74-7910-A-64	Airlink 7010 controller, 64 channels with 100-240 VAC, 900 MHz radio	3,200.00

2.4 GHz Radio (International use)

Part#	Description	Suggested Retail
74-7210-A-32	Airlink 7010 controller, 32 channels with 100-240 VAC, 2.4 GHz radio...	3,200.00
74-7210-A-64	Airlink 7010 controller, 64 channels with 100-240 VAC, 2.4 GHz radio...	3,200.00



Shown with *optional* light & horn

Add-Ons for AirLink 7010

To add an alarm strobe or buzzer select from the part #'s below. Each item utilizes 1 relay.

Part#	Description	Suggested Retail
ZPY-7010-AMB	Strobe adder for AirLink 7010, amber	600.00
ZPY-7010-BLU	Strobe adder for AirLink 7010, blue	600.00
ZPY-7010-RED	Strobe adder for Airlink 7010, red	600.00
ZPY-7010-WHT	Strobe adder for Airlink 7010, clear	600.00
Z488-KIT	Audible alarm buzzer adder	120.00
ZA-ANTENNA-MT	Antenna mount for Airlink wireless radio	66.00

Replacement Parts for AirLink 7010

Part#	Description	Suggested Retail
47-5111-100	Antenna extension cable, 100 feet, N-male to N-female for AirLink models	650.00
47-5111-15	Antenna extension cable, 15 feet, N-male to N-female for AirLink models	165.00
47-5111-25	Antenna extension cable, 25 feet, N-male to N-female for AirLink models	215.00
47-5111-50	Antenna extension cable, 50 feet, N-male to N-female for AirLink models	330.00
47-5111-75	Antenna extension cable, 75 feet, N-male to N-female for AirLink models	495.00
ZA-ANTENNA-MT	Antenna mount for Airlink wireless radio	66.00
ZAN-900-RIGID-S	Antenna, rigid dipole, 900 MHz, N-male, straight	260.00

AirLink Wireless Controllers & Transmitters

AirLink 7032 Hybrid Controller, 32 & 64 Channels with Touch Screen Display

- Accepts up to 32 wireless transmitters in
- Hybrid input accepts up to 4 wired 4-20 transmitters in
- Touchscreen color display
- 4 programmable alarm relays out
- Modbus out
- AC versions come with power cord and cable grip.
- Data logging included



900 MHz Radio (Standard for North American use)

<u>Part#</u>	<u>Description</u>	<u>Suggested Retail</u>
74-7932-A-32	Airlink 7032 controller, 32 channels with 100-240 VAC, 4 relays, Modbus out, 900 MHz radio	4,790.00
74-7932-A-64	Airlink 7032 controller, 64 channels with 100-240 VAC, 4 relays, Modbus out, 900 MHz radio	5,280.00

2.4 GHz Radio (International use)

<u>Part#</u>	<u>Description</u>	<u>Suggested Retail</u>
74-7232-A-32	Airlink 7032 controller, 32 channels with 100-240 VAC power, 4 relays, Modbus out, 2.4 GHz radio	4,500.00
74-7232-A-64	Airlink 7032 controller, 64 channels with 100-240 VAC power, 4 relays, Modbus out, 2.4 GHz radio	5,280.00

Add-Ons for AirLink 7032

To add an alarm strobe or buzzer select from the part #'s below. Each item utilizes 1 relay.

<u>Part#</u>	<u>Description</u>	<u>Suggested Retail</u>
ZPY-AMB	Strobe adder, amber	600.00
ZPY-BLU	Strobe adder, blue	600.00
ZPY-RED	Strobe adder, red	600.00
ZPY-WHT	Strobe adder, clear	600.00
Z488-KIT	Audible alarm buzzer adder	120.00
ZA-ANTENNA-MT	Antenna mount for Airlink wireless radio	66.00

Replacement Parts for AirLink 7010

<u>Part#</u>	<u>Description</u>	<u>Suggested Retail</u>
47-5111-100	Antenna extension cable, 100 feet, N-male to N-female for AirLink models	650.00
47-5111-15	Antenna extension cable, 15 feet, N-male to N-female for AirLink models	165.00
47-5111-25	Antenna extension cable, 25 feet, N-male to N-female for AirLink models	215.00
47-5111-50	Antenna extension cable, 50 feet, N-male to N-female for AirLink models	330.00
47-5111-75	Antenna extension cable, 75 feet, N-male to N-female for AirLink models	495.00
ZA-ANTENNA-MT	Antenna mount for Airlink wireless radio	66.00
ZAN-900-RIGID-S	Antenna, rigid dipole, 900 MHz, N-male, straight	260.00

AirLink Wireless Controllers & Transmitters

AirLink 9850, 255 Channel Digital Interface

- 255 wireless channels in
- RS-232 or RS-485 Modbus out
- AC versions are supplied with loose power cord and 2 wiring hubs.



ORDERING INFORMATION:

- AirLink 9850 is supplied with 2 wiring hubs on the bottom of the housing. Hubs can be installed on top or sides IF specified at the time of ordering.
- To add 4-20 mA outputs, add the following amount to the list price based on the number of 4-20 mA outputs required:

0	no 4-20 mA	add \$0.00 to the price and -0 to the end of the part #
8	each 4-20 mA	add \$690 to the price and -8 to the end of the part #
16	each 4-20 mA	add \$1,380 to the price and -16 to the end of the part #
24	each 4-20 mA	add \$2,065 to the price and -24 to the end of the part #
32	each 4-20 mA	add \$2,750 to the price and -32 to the end of the part #

900 MHz Radio (Standard for North American use)

<u>Part#</u>	<u>Description</u>	<u>Suggested Retail</u>
74-9850-9-A	AirLink 9850 Interface, 255 wireless channels with 100-240 VAC power and 900 MHz radio, RS-232/RS-485 Modbus output	2,750.00

2.4 GHz Radio (International use)

<u>Part#</u>	<u>Description</u>	<u>Suggested Retail</u>
74-9850-2-A	AirLink 9850 Interface, 255 wireless channels with 100-240 VAC power and 234 GHz radio, RS-232/RS-485 Modbus output	2,750.00

Add-Ons for AirLink 9850

<u>Part#</u>	<u>Description</u>	<u>Suggested Retail</u>
18-0051RK-01	Cable grip with reducer for AC power cord	28.00
ZA-ANTENNA-MT	Antenna mount for Airlink wireless radio	66.00

AirLink Wireless Controllers & Transmitters

AirLink 9100 Portable Signal Strength Meter (Handheld Portable)

- Measure signal strength of wireless transmitters or repeaters
- Displays radio address, gas reading, RF signal strength, sensor type, battery voltage

<u>Part#</u>	<u>Description</u>	<u>Suggested Retail</u>
74-9100-9	AirLink 9100 Signal strength meter, 900 MHz radio, Li-Ion batteries ...	1,470.00
74-9100-2	AirLink 9100 Signal strength meter, 2.4 GHz radio, Li-Ion batteries	1,470.00



Replacement Parts for AirLink 9100

<u>Part#</u>	<u>Description</u>	<u>Suggested Retail</u>
Z401-12V1A	AC power supply, 12 VDC/1A output, 120 VAC input, 2.1 x 5.5 mm barrel plug, for AirLink 9100	200.00
ZA-ANTENNA-MT	Antenna mount for Airlink wireless radio	66.00

AirLink 9900 Signal Repeater, Explosion Proof

900 MHz Radio (Standard for North American use)

<u>Part#</u>	<u>Description</u>	<u>Suggested Retail</u>
66-9900-9	AirLink 9900 signal repeater, 900 MHz radio, 12-35 VDC power, with one flexible antenna, one right-angle antenna, 10' antenna extension cable, and one lightning ground cable	3,755.00
66-9900-2	AirLink 9900 signal repeater, 2.4 GHz radio, 12-35 VDC power, with one flexible antenna, one right-angle antenna, 10' extension cable, and one lightning ground cable	3,755.00
ZA-ANTENNA-MT	Antenna mount for Airlink wireless radio	66.00



AirLink 9900 Signal Repeater, Non Explosion Proof

<u>Part#</u>	<u>Description</u>	<u>Suggested Retail</u>
66-9900-9N-A	AirLink 9900 signal repeater, 900 MHz radio with one flexible and one right angle antenna, 100-240 VAC power with power cord and cable grip, non-explosion proof	2,090.00
66-9900-2N-A	AirLink 9900 signal repeater, 2.4 GHz radio with one flexible and one right angle antenna, 100-240 VAC power with power cord and cable grip, non-explosion proof	2,090.00
66-9900-9N-D	AirLink 9900 signal repeater, 900 MHz radio with one flexible and one right angle antenna, 12-35 VDC power, non-explosion proof	1,850.00
66-9900-2N-D	AirLink 9900 signal repeater, 2.4 GHz radio with one flexible and one right angle antenna, 12-35 VDC power, non-explosion proof	1,850.00



AirLink 5900 4-20 mA Analog to Wireless Converter

<u>Part#</u>	<u>Description</u>	<u>Suggested Retail</u>
66-5900-9	AirLink 5900 4-20mA to wireless converter, 900 MHz radio, 12-35 VDC wire powered	2,020.00
66-5900-2	AirLink 5900 4-20mA to wireless converter, 2.4 GHz radio, 12-35 VDC wire powered	2,020.00
ZA-ANTENNA-MT	Antenna mount for Airlink wireless radio	66.00



AirLink 5950 Switch-State Transmitter

<u>Part#</u>	<u>Description</u>	<u>Suggested Retail</u>
66-5950-9	AirLink dual switch-state, explosion proof, 900 MHz radio, battery powered.....	1,500.00
66-5950-2	AirLink dual switch-state, explosion proof, 2.4 GHz radio, battery powered.....	1,500.00
ZA-ANTENNA-MT	Antenna mount for Airlink wireless radio	66.00



AirLink Wireless Controllers & Transmitters

AirLink 7530 Relay Module, Non Explosion Proof

- Accepts up to 32 wireless transmitters input
- 3 programmable alarm relays out
- AC versions come with power cord and cable grip.

900 MHz Radio (Standard for North American use)

<u>Part#</u>	<u>Description</u>	<u>Suggested Retail</u>
66-7530-9N-A	AirLink 7530 relay module, 32 wireless channels with 100-240 VAC power, 900 MHz radio, non explosion proof	2,520.00

2.4 GHz Radio (International use)

<u>Part#</u>	<u>Description</u>	<u>Suggested Retail</u>
66-7530-2N-A	AirLink 7530 relay module, 32 wireless channels with 100-240 VAC power, 2.4 GHz radio, non explosion proof	2,520.00



Shown with *optional* light & horn

Add-Ons for AirLink 7530

To add an alarm strobe or buzzer select from the part #'s below. Each item utilizes 1 relay.

<u>Part#</u>	<u>Description</u>	<u>Suggested Retail</u>
ZPY-7530-AMB	Strobe adder for AirLink 7530, amber	480.00
ZPY-7530-BLU	Strobe adder for AirLink 7530, blue	480.00
ZPY-7530-RED	Strobe adder for Airlink 7530, red	480.00
ZPY-7530-WHT	Strobe adder for Airlink 7530, clear	480.00
Z488-KIT	Audible alarm buzzer adder	120.00
ZA-ANTENNA-MT	Antenna mount for Airlink wireless radio	66.00

AirLink 7530XP Relay Module, Explosion Proof

- Accepts up to 32 wireless transmitters input
- 3 programmable alarm relays out

900 MHz Radio (Standard for North American use)

<u>Part#</u>	<u>Description</u>	<u>Suggested Retail</u>
66-7530-9X-A	AirLink 7530 wireless relay, explosion proof, 900 MHz radio, 100-240 VAC power	4,100.00
ZA-ANTENNA-MT	Antenna mount for Airlink wireless radio	66.00

2.4 GHz Radio (International use)

<u>Part#</u>	<u>Description</u>	<u>Suggested Retail</u>
66-7530-2X-A	AirLink 7530 wireless relay, explosion proof, 2.4 GHz radio, 100-240 VAC power	4,100.00



Fixed Systems Sensors & Transmitters

AirLink 6900 Wireless Transmitter, Dual Battery Powered, Explosion Proof

- Explosion Proof, Class I, Division 1 for CO, H2S, O2, LEL, & CO2
- Class I, Division 2 for all other gases
- Transmitters ship with rain guard & magnetic wand as standard



Ordering Information

66-69[Sensor Designator]-[Range suffix]-[Radio Frequency=W (900)/Y(2.4)]

Part#	Description	Suggested Retail
66-6906-10-W	Airlink 6900, Ammonia (NH3) 0-100 ppm, dual battery, wireless transmitter, 900 MHz radio	4,040.00
66-6906-1K-W	Airlink 6900, Ammonia (NH3) 0-1000 ppm, dual battery, wireless transmitter, 900 MHz radio	4,040.00
66-6968-01-W	Airlink 6900, Arsine (AH3) 0-1 ppm, dual battery, wireless transmitter, 900 MHz radio	4,495.00
66-6967-05-W	Airlink 6900, Carbon Dioxide (CO2) 0-5% vol, LPIR, dual battery, wireless transmitter, 900 MHz radio ...	4,495.00
66-6901-1K-W	Airlink 6900, Carbon Monoxide (CO) 0-1000 ppm, dual battery, wireless transmitter, 900 MHz radio ...	3,860.00
66-6912-10-W	Airlink 6900, Chlorine (Cl2) 0-10 ppm, dual battery, wireless transmitter, 900 MHz radio	4,040.00
66-6913-01-W	Airlink 6900, Chlorine Dioxide (ClO2) 0-1 ppm, dual battery, wireless transmitter, 900 MHz radio	4,040.00
66-6960-10-W	Airlink 6900, Combustibles (CH4) 0-100% LEL, LPIR, dual battery, wireless transmitter, 900 MHz radio	4,495.00
66-6962-99-W	Airlink 6900, Combustibles (CH4) 0-100% vol, LPIR, dual battery, wireless transmitter, 900 MHz radio	4,495.00
66-6963-10-W	Airlink 6900, Combustibles (HC) 0-100% LEL, LPIR, dual battery, wireless transmitter, 900 MHz radio ...	4,495.00
66-6916-10-W	Airlink 6900, Ethylene Oxide (ETO) 0-10 ppm, dual battery, wireless transmitter, 900 MHz radio	4,495.00
66-6911-10-W	Airlink 6900, Formaldehyde (HCHO) 0-10 ppm, dual battery, wireless transmitter, 900 MHz radio	4,495.00
66-6939-40-W	Airlink 6900, Hydrogen (H2), 0-100% LEL (0-4% vol), EC, dual battery, wireless transmitter, 900 MHz radio.....	4,495.00
66-6904-20-W	Airlink 6900, Hydrogen Chloride (HCl) 0-20 ppm, dual battery, wireless transmitter, 900 MHz radio ...	4,495.00
66-6904-99-W	Airlink 6900, Hydrogen Chloride (HCl) 0-100 ppm, dual battery, wireless transmitter, 900 MHz radio ...	4,495.00
66-6905-50-W	Airlink 6900, Hydrogen Cyanide (HCN) 0-50 ppm, dual battery, wireless transmitter, 900 MHz radio ...	4,040.00
66-6914-10-W	Airlink 6900, Hydrogen Fluoride (HF) 0-10 ppm, dual battery, wireless transmitter, 900 MHz radio	4,495.00
66-6903-01-W	Airlink 6900, Hydrogen Sulfide (H2S) 0-10 ppm, dual battery, wireless transmitter, 900 MHz radio	3,860.00
66-6903-02-W	Airlink 6900, Hydrogen Sulfide (H2S) 0-25 ppm, dual battery, wireless transmitter, 900 MHz radio	3,860.00
66-6903-05-W	Airlink 6900, Hydrogen Sulfide (H2S) 0-50 ppm, dual battery, wireless transmitter, 900 MHz radio	3,860.00
66-6903-10-W	Airlink 6900, Hydrogen Sulfide (H2S) 0-100 ppm, dual battery, wireless transmitter, 900 MHz radio ...	3,860.00
66-6903-50-W	Airlink 6900, Hydrogen Sulfide (H2S) 0-500 ppm, dual battery, wireless transmitter, 900 MHz radio ...	4,040.00
66-6903-2K-W	Airlink 6900, Hydrogen Sulfide (H2S) 0-2000 ppm, dual battery, wireless transmitter, 900 MHz radio ...	4,040.00
66-6907-25-W	Airlink 6900, Nitric Oxide (NO) 0-250 ppm, dual battery, wireless transmitter, 900 MHz radio	4,040.00
66-6908-20-W	Airlink 6900, Nitrogen Dioxide (NO2) 0-20 ppm, dual battery, wireless transmitter, 900 MHz radio	4,040.00
66-6902-25-W	Airlink 6900, Oxygen (O2) 0-25% vol, dual battery, wireless transmitter, 900 MHz radio	4,040.00
66-6909-05-W	Airlink 6900, Ozone (O3) 0-5 ppm, dual battery, wireless transmitter, 900 MHz radio	4,040.00
66-6909-99-W	Airlink 6900, Ozone (O3) 0-100 ppm, dual battery, wireless transmitter, 900 MHz radio	4,040.00
66-6915-05-W	Airlink 6900, Phosphine (PH3) 0-5 ppm, dual battery, wireless transmitter, 900 MHz radio	4,670.00
66-6910-20-W	Airlink 6900, Sulfur Dioxide (SO2) 0-20 ppm, dual battery, wireless transmitter, 900 MHz radio	4,040.00
66-6992-01-W	Airlink 6900, VOC (10.6 eV PID) 0-10 ppm, dual battery, wireless transmitter, 900 MHz radio	5,090.00
66-6992-02-W	Airlink 6900, VOC (10.6 eV PID) 0-20 ppm, dual battery, wireless transmitter, 900 MHz radio	5,090.00
66-6992-50-W	Airlink 6900, VOC (10.6 eV PID) 0-50 ppm, dual battery, wireless transmitter, 900 MHz radio	5,090.00
66-6993-10-W	Airlink 6900, VOC (10.6 eV PID) 0-100 ppm, dual battery, wireless transmitter, 900 MHz radio	4,910.00
66-6993-20-W	Airlink 6900, VOC (10.6 eV PID) 0-200 ppm, dual battery, wireless transmitter, 900 MHz radio	4,910.00
66-6993-50-W	Airlink 6900, VOC (10.6 eV PID) 0-500 ppm, dual battery, wireless transmitter, 900 MHz radio	4,910.00
66-6993-1K-W	Airlink 6900, VOC (10.6 eV PID) 0-1000 ppm, dual battery, wireless transmitter, 900 MHz radio	4,910.00
66-6993-2K-W	Airlink 6900, VOC (10.6 eV PID) 0-2000 ppm, dual battery, wireless transmitter, 900 MHz radio	4,910.00
66-6995-01-W	Airlink 6900, VOC (10.0 eV PID) 0-10 ppm, dual battery, wireless transmitter, 900 MHz radio	5,090.00
66-6995-02-W	Airlink 6900, VOC (10.0 eV PID) 0-20 ppm, dual battery, wireless transmitter, 900 MHz radio	5,090.00
66-6995-05-W	Airlink 6900, VOC (10.0 eV PID) 0-50 ppm, dual battery, wireless transmitter, 900 MHz radio	5,090.00
66-6995-10-W	Airlink 6900, VOC (10.0 eV PID) 0-100 ppm, dual battery, wireless transmitter, 900 MHz radio	5,090.00
66-6994-10-W	Airlink 6900, VOC (11.7 eV PID) 0-100 ppm, dual battery, wireless transmitter, 900 MHz radio	5,700.00

AirLink Wireless Controllers & Transmitters

Replacement Parts and Accessories for AirLink 6900

Part#	Description	Suggested Retail
47-5110-7-XX	Cable with 7-pin connector to remote mount sensor (battery powered) for explosion proof and non-explosion proof, price per foot (specify length in place of -XX)	7.90
47-5111-100	Antenna extension cable, 100 feet, N-male to N-female for AirLink models	650.00
47-5111-15	Antenna extension cable, 15 feet, N-male to N-female for AirLink models	165.00
47-5111-25	Antenna extension cable, 25 feet, N-male to N-female for AirLink models	215.00
47-5111-50	Antenna extension cable, 50 feet, N-male to N-female for AirLink models	330.00
47-5111-75	Antenna extension cable, 75 feet, N-male to N-female for AirLink models	495.00
49-1416-01	Battery, Lithium-thionyl, non-rechargeable, 3.6 VDC 19 AH with connector for AirLink 6900 and AirLink Alert, (2 required)	38.00
61-2003	Remote sensor mounting kit, explosion proof with 7-pin connector for T2A/AirLink 6900/ AirLink 6940XP (order cable separate)	450.00
81-1183	Cal cup with 3 ft 1/8" ID x 1/4" OD teflon tubing for T2A/T3A/VOC Pro/AirLink 6900 type detectors	175.00
81-1184	Rain guard for T2A/T3A/VOC Pro type explosion proof detector.....	20.00
82-0101RK	Magnetic wand, for M2A-XL/T2A/T3A/VOC Pro/Air Alert/AirLink Transmitters	20.00
82-0120-02	Magnets (2 each) adder hardware for T3A/VOC Pro type j-box	26.00
Z2000-CAP-ASSY	Sensor housing cap with flame arrestor and O-ring, for T3A/VOC Pro/6900/6940XP Airlink products and T2A/T3A	210.00
Z2000-CAPFILTER	Teflon filter, single, for T2A, AirLink T3A, AirLink T3A, AirLink VOC Pro, AirLink 6900, and AirLink 6940XP	18.00
ZA-ANTENNA-MT	Antenna mount for Airlink wireless radio	66.00
ZAN-900-FLEX-R	Antenna, flexible dipole, 900 MHz, N-male, right-angle	190.00

Fixed Systems Sensors & Transmitters

AirLink T3A Wireless Transmitter, Wire Powered, Explosion Proof, No Relays

- Explosion Proof, Class I, Division 1 for CO, H2S, O2, LEL, & CO2
- Class I, Division 2 for all other gases
- 12-35 VDC wire powered
- Add -R and \$240 to add 2 relays



Part#	Description	Suggested Retail
66-6306-10-W	AirLink T3A sensor/transmitter with j-box, Ammonia (NH3), 0-100 ppm with 900 MHz radio	3,930.00
66-6306-20-W	AirLink T3A sensor/transmitter with j-box, Ammonia (NH3), 0-200 ppm with 900 MHz radio	3,930.00
66-6306-30-W	AirLink T3A sensor/transmitter with j-box, Ammonia (NH3), 0-300 ppm with 900 MHz radio	3,930.00
66-6306-50-W	AirLink T3A sensor/transmitter with j-box, Ammonia (NH3), 0-500 ppm with 900 MHz radio	3,930.00
66-6306-1K-W	AirLink T3A sensor/transmitter with j-box, Ammonia (NH3), 0-1000 ppm with 900 MHz radio	3,930.00
66-6368-01-W	AirLink T3A sensor/transmitter with j-box, Arsine (AsH3), 0-1 ppm with 900 MHz radio	4,400.00
66-6354-05-W	AirLink T3A sensor/transmitter with j-box, Carbon Dioxide (CO2), IR, 0-5000 ppm with 900 MHz radio	4,400.00
66-6350-05-W	AirLink T3A sensor/transmitter with j-box, Carbon Dioxide (CO2) IR, 0-5% vol with 900 MHz radio	4,400.00
66-6301-05-W	AirLink T3A sensor/transmitter with j-box, Carbon Monoxide (CO), 0-500 ppm with 900 MHz radio ...	3,760.00
66-6301-1K-W	AirLink T3A sensor/transmitter with j-box, Carbon Monoxide (CO), 0-1,000 ppm with 900 MHz radio ...	3,760.00
66-6312-10-W	AirLink T3A sensor/transmitter with j-box, Chlorine (Cl2), 0-10 ppm with 900 MHz radio	3,930.00
66-6313-01-W	AirLink T3A sensor/transmitter with j-box, Chlorine Dioxide (ClO2), 0-1 ppm with 900 MHz radio	3,930.00
66-6313-05-W	AirLink T3A sensor/transmitter with j-box, Chlorine Dioxide (ClO2), 0-5 ppm with 900 MHz radio	3,930.00
66-6316-10-W	AirLink T3A sensor/transmitter with j-box, Ethylene Oxide (ETO), 0-10 ppm with 900 MHz radio	4,400.00
66-6311-10-W	AirLink T3A sensor/transmitter with j-box, Formaldehyde (HCHO), 0-10 ppm with 900 MHz radio	4,400.00
66-6340-10-W	AirLink T3A sensor/transmitter with j-box, Hydrocarbon (CH4) 0-100%LEL, catalytic with 900 MHz radio	3,760.00
66-6351-10-W	AirLink T3A sensor/transmitter with j-box, Hydrocarbon (CH4) 0-100% LEL, IR with 900 MHz radio	4,400.00
66-6352-99-W	AirLink T3A sensor/transmitter with j-box, Hydrocarbon (CH4) 0-100% vol, IR with 900 MHz radio	4,400.00
66-6353-10-W	AirLink T3A sensor/transmitter with j-box, Hydrocarbon (HC) 0-100% LEL, IR with 900 MHz radio	4,400.00
66-6339-40-W	AirLink T3A sensor/transmitter with j-box, Hydrogen (H2) 0-100% LEL (0-4% vol), EC with 900 MHz radio	4,400.00
66-6304-20-W	AirLink T3A sensor/transmitter with j-box, Hydrogen Chloride (HCl), 0-20 ppm with 900 MHz radio ...	4,400.00
66-6304-30-W	AirLink T3A sensor/transmitter with j-box, Hydrogen Chloride (HCl), 0-30 ppm with 900 MHz radio ...	4,400.00
66-6304-99-W	AirLink T3A sensor/transmitter with j-box, Hydrogen Chloride (HCl), 0-100 ppm with 900 MHz radio ...	3,930.00
66-6305-15-W	AirLink T3A sensor/transmitter with j-box, Hydrogen Cyanide (HCN), 0-15 ppm with 900 MHz radio ...	3,930.00
66-6305-50-W	AirLink T3A sensor/transmitter with j-box, Hydrogen Cyanide (HCN), 0-50 ppm with 900 MHz radio ...	3,930.00
66-6314-10-W	AirLink T3A sensor/transmitter with j-box, Hydrogen Fluoride (HF), 0-10 ppm with 900 MHz radio	4,400.00
66-6303-01-W	AirLink T3A sensor/transmitter with j-box, Hydrogen Sulfide (H2S), 0-10 ppm with 900 MHz radio	3,760.00
66-6303-02-W	AirLink T3A sensor/transmitter with j-box, Hydrogen Sulfide (H2S), 0-25 ppm with 900 MHz radio	3,760.00
66-6303-05-W	AirLink T3A sensor/transmitter with j-box, Hydrogen Sulfide (H2S), 0-50 ppm with 900 MHz radio	3,760.00
66-6303-10-W	AirLink T3A sensor/transmitter with j-box, Hydrogen Sulfide (H2S), 0-100 ppm with 900 MHz radio ...	3,760.00
66-6303-50-W	AirLink T3A sensor/transmitter with j-box, Hydrogen Sulfide (H2S), 0-500 ppm with 900 MHz radio ...	3,930.00
66-6303-2K-W	AirLink T3A sensor/transmitter with j-box, Hydrogen Sulfide (H2S), 0-2000 ppm with 900 MHz radio ...	3,930.00
66-6307-25-W	AirLink T3A sensor/transmitter with j-box, Nitric Oxide (NO), 0-250 ppm with 900 MHz radio	3,930.00
66-6308-20-W	AirLink T3A sensor/transmitter with j-box, Nitrogen Dioxide (NO2), 0-20 ppm with 900 MHz radio	3,930.00
66-6302-25-W	AirLink T3A sensor/transmitter with j-box, Oxygen (O2) capillary, 0-25% with 900 MHz radio	3,760.00
66-6309-05-W	AirLink T3A sensor/transmitter with j-box, Ozone (O3), 0-5 ppm with 900 MHz radio	3,930.00
66-6309-99-W	AirLink T3A sensor/transmitter with j-box, Ozone (O3), 0-100 ppm with 900 MHz radio	3,930.00
66-6315-05-W	AirLink T3A sensor/transmitter with j-box, Phosphine (PH3), 0-5 ppm with 900 MHz radio	4,575.00
66-6310-20-W	AirLink T3A sensor/transmitter with j-box, Sulfur Dioxide (SO2), 0-20 ppm with 900 MHz radio	3,930.00

Replacement Parts and Accessories for AirLink T3A

Part#	Description	Suggested Retail
47-5110-5-XX	Cable with 5-pin connector to remote mount sensor for explosion proof and non-explosion proof, price per foot (specify length in place of -XX)	7.90
47-5111-100	Antenna extension cable, 100 feet, N-male to N-female for AirLink models	650.00
47-5111-15	Antenna extension cable, 15 feet, N-male to N-female for AirLink models	165.00
47-5111-25	Antenna extension cable, 25 feet, N-male to N-female for AirLink models	215.00
47-5111-50	Antenna extension cable, 50 feet, N-male to N-female for AirLink models	330.00
47-5111-75	Antenna extension cable, 75 feet, N-male to N-female for AirLink models	495.00
61-2001	Remote sensor mounting kit, explosion proof with 5-pin connector for T3A/AirLink T3A/VOC Pro/AirLink VOC Pro (order cable separate)	450.00

AirLink Wireless Controllers & Transmitters

Replacement Parts and Accessories for AirLink T3A (continued)

Part#	Description	Suggested Retail
81-1183	Cal cup with 3 ft 1/8" ID x 1/4" OD teflon tubing for T2A/T3A/VOC Pro/AirLink 6900 type detectors	175.00
81-1184	Rain guard for T2A/T3A/VOC Pro type explosion proof detector	20.00
82-0101RK	Magnetic wand, for M2A-XL/T2A/T3A/VOC Pro/Air Alert/AirLink Transmitters	20.00
82-0120-02	Magnets (2 each) adder hardware for T3A/VOC Pro type j-box	26.00
Z2000-CAP-ASSY	Sensor housing cap with flame arrestor and O-ring, for T3A/VOC Pro/6900/6940XP	
	Airlink products and T2A/T3A	210.00
ZA-ANTENNA-MT	Antenna mount for Airlink wireless radio	66.00

AirLink VOC Pro PID Wireless Transmitter, Wire Powered, Explosion Proof, No Relays

- Class I, Division 1 for all PID versions
- 12-35 VDC wire powered
- Add -R and \$240 to add 2 relays



Part#	Description	Suggested Retail
66-6192-01-W	AirLink VOC Pro (10.6 eV PID) 0-10.00 ppm, low range sensor/transmitter with j-box and 900 MHz radio	5,150.00
66-6192-02-W	AirLink VOC Pro (10.6 eV PID) 0-20.00 ppm, low range sensor/transmitter with j-box and 900 MHz radio	5,150.00
66-6192-05-W	AirLink VOC Pro (10.6 eV PID) 0-50.00 ppm, low range sensor/transmitter with j-box and 900 MHz radio	5,150.00
66-6193-10-W	AirLink VOC Pro (10.6 eV PID) 0-100 ppm, high range sensor/transmitter with j-box and 900 MHz radio	4,980.00
66-6193-20-W	AirLink VOC Pro (10.6 eV PID) 0-200 ppm, high range sensor/transmitter with j-box and 900 MHz radio	4,980.00
66-6193-50-W	AirLink VOC Pro (10.6 eV PID) 0-500 ppm, high range sensor/transmitter with j-box and 900 MHz radio	4,980.00
66-6193-1K-W	AirLink VOC Pro (10.6 eV PID) 0-1000 ppm, high range sensor/transmitter with j-box and 900 MHz radio	4,980.00
66-6193-2K-W	AirLink VOC Pro (10.6 eV PID) 0-2000 ppm, high range sensor/transmitter with j-box and 900 MHz radio	4,980.00
66-6195-01-W	AirLink VOC Pro (10.0 eV PID) 0-10.00 ppm sensor/transmitter with j-box with 900 MHz radio	5,150.00
66-6195-02-W	AirLink VOC Pro, (10.0 eV PID) 0-20.00 ppm, sensor/transmitter with j-box with 900 MHz radio	5,150.00
66-6195-05-W	AirLink VOC Pro, (10.0 eV PID) 0-50.00 ppm, sensor/transmitter with j-box with 900 MHz radio	5,150.00
66-6195-10-W	AirLink VOC Pro, (10.0 eV PID) 0-100.00 ppm, sensor/transmitter with j-box with 900 MHz radio	5,150.00
66-6194-10-W	AirLink VOC Pro (11.7 eV PID) 0-100 ppm sensor/transmitter with j-box with 900 MHz radio	5,790.00

Replacement Parts and Accessories for AirLink VOC Pro

Part#	Description	Suggested Retail
47-5110-5-XX	Cable with 5-pin connector to remote mount sensor for explosion proof and non-explosion proof, price per foot (specify length in place of -XX)	7.90
47-5111-100	Antenna extension cable, 100 feet, N-male to N-female for AirLink models	650.00
47-5111-15	Antenna extension cable, 15 feet, N-male to N-female for AirLink models	165.00
47-5111-25	Antenna extension cable, 25 feet, N-male to N-female for AirLink models	215.00
47-5111-50	Antenna extension cable, 50 feet, N-male to N-female for AirLink models	330.00
47-5111-75	Antenna extension cable, 75 feet, N-male to N-female for AirLink models	495.00
61-0302	Sensor, Volatile Organic Compounds (VOC) 0-50 ppm, 10.6 eV PID, low ppm sensor for VOC Pro, Air Alert, AirLink VOC Pro, AirLink Alert	1,200.00
61-0303	Sensor, Volatile Organic Compounds (VOC) 0-2000 ppm, 10.6 eV PID, high ppm sensor for VOC Pro, Air Alert, AirLink VOC Pro, AirLink Alert	1,000.00
61-0304	Sensor, Volatile Organic Compounds (VOC) 0-100 ppm, 11.7 eV PID for VOC Pro, Air Alert, AirLink VOC Pro, AirLink Alert	1,700.00
61-0305	Sensor, Volatile Organic Compounds (VOC) 0-100 ppm/0-50 ppm for Benzene, 10.0 eV PID for VOC Pro, Air Alert, AirLink VOC Pro, AirLink Alert	1,200.00
61-2001	Remote sensor mounting kit, explosion proof with 5-pin connector for T3A/AirLink T3A/VOC Pro/AirLink VOC Pro (order cable separate)	450.00

AirLink Wireless Controllers & Transmitters

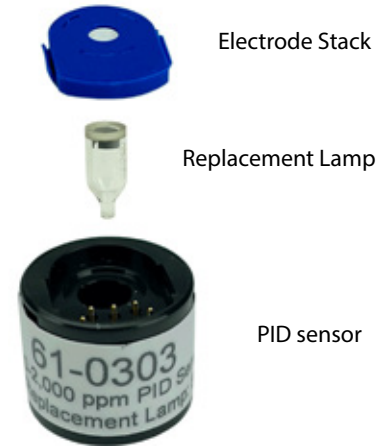
Replacement Parts and Accessories for AirLink VOC Pro (continued)

Part#	Description	Suggested Retail
81-1183	Cal cup with 3 ft 1/8" ID x 1/4" OD teflon tubing for T2A/T3A/VOC Pro/AirLink 6900 type detectors	175.00
81-1184	Rain guard for T2A/T3A/VOC Pro type explosion proof detector.....	20.00
82-0101RK	Magnetic wand, for M2A-XL/T2A/T3A/VOC Pro/Air Alert/AirLink Transmitters	20.00
82-0120-02	Magnets (2 each) adder hardware for T3A/VOC Pro type j-box	26.00
82-0300RK	PID lamp cleaning kit with removal tool for 10.0 & 10.6 eV lamps only	52.00
Z2000-CAP-ASSY	Sensor housing cap with flame arrestor and O-ring, for T3A/VOC Pro/6900/6940XP	
	Airlink products and T2A/T3A	210.00
ZA-ANTENNA-MT	Antenna mount for Airlink wireless radio	66.00

AirLink VOC Pro Series PID Replacement Lamps and Electrode Stacks

PID Sensor	eV	Replacement Lamp	Electrode Stack
61-0302	10.6	51-1503	33-0560-01
61-0303	10.6		33-0562
61-0305	10.0		33-0563
61-0304	11.7	51-1504	33-0560-01

Part#	Description	Suggested Retail
33-0560-01	Electrode Stack for 10.6 (50 ppm sensor) & 11.7 eV lamps used in EAGLE 2, GX-6000, or VOC Pro (1 electrode)	110.00
33-0562	Electrode Stack for 10.6 eV lamp, 0-2,000/6,000 ppm for EAGLE 2, GX-6000, or VOC Pro, (1 electrode)	64.00
33-0563	Electrode Stack for 10.0 eV lamp, 0-100 ppm (50 ppm benzene) for GX-6000 or VOC Pro (1 electrode)	140.00
51-1503	Replacement lamp only, 0-50/-2000/-6000/ HPPM long life type for any 10.6 eV or 10.0 eV PID.	220.00
51-1504	Replacement lamp, 0-1000 ppm for PID-004, 11.7 eV lamp in GX-6000 or VOC Pro	550.00



AirLink Wireless Controllers & Transmitters

AirLink 6940XP Quad Transmitter, Explosion Proof

- Explosion Proof, Class I, Division 1 for CO, H2S, O2, LEL, CO2, VOC, HCN, PH3, & SO2
- Class I, Division 2 for all other gases
- Dual battery powered

Ordering Information

- 1) Select the AirLink 6940 unit based on the number of sensors needed.
- 2) For AC power, add -A to the end of the part # and \$60 to the list price.
- 3) Select the sensor assemblies to match the number of sensors in step 1.



Part#	Description	Suggested Retail
74-429	AirLink 6940 quad transmitter for 2 sensors, explosion proof, battery powered, wireless 900 MHz radio, sensor assemblies selection needed	4,470.00
74-439	AirLink 6940 quad transmitter for 3 sensors, explosion proof, battery powered, wireless 900 MHz radio, sensor assemblies selection needed	4,470.00
74-449	AirLink 6940 quad transmitter for 4 sensors, explosion proof, battery powered, wireless 900 MHz radio, sensor assemblies selection needed	4,470.00

AirLink 6940 Sensors Assembly Options - Explosion Proof (Div. 1 or Div. 2, see below)

Part#	Description	Suggested Retail
66-1006-1-10	Sensor assembly for Ammonia (NH3), Low range, 0 - 100 ppm, EC type, XP Division 2, 7 pin	840.00
66-1006-2-99	Sensor assembly for Ammonia (NH3), High range 0 - 1000 ppm, EC type, XP Division 2, 7 pin	840.00
66-1068-01	Sensor assembly for Arsine (AsH3) 0 - 1 ppm, EC type, XP Division 2, 7 pin	1,310.00
66-1067-05	Sensor assembly for Carbon Dioxide (CO2) 0 - 5 % Volume, LPIR - Low Power Infrared, XP Division 1, 7 pin	1,310.00
66-1001-10	Sensor assembly for Carbon Monoxide (CO) 0 - 1000 ppm, EC type, XP Division 1, 7 pin	675.00
66-1012-10	Sensor assembly for Chlorine (Cl2) 0 - 10 ppm, EC type, XP Division 2, 7 pin	840.00
66-1013-05	Sensor assembly for Chlorine Dioxide (ClO2) covers full scale up to 0 - 5 ppm, EC type, XP Division 2, 7 pin	840.00
66-1060-10	Sensor assembly for Combustible (CH4) 0 - 100 % LEL, CH4, LPIR - Low Power Infrared, XP Division 1, 7 pin	1,310.00
66-1062-99	Sensor assembly for Combustible (CH4) 0 - 100 % Volume, LPIR - Low Power Infrared, XP Division 1, 7 pin	1,310.00
66-1063-10	Sensor assembly for Combustible (HC) 0 - 100 % Vol., LPIR - Low Power Infrared, XP Division 1, 7 pin ...	1,310.00
66-1016-10	Sensor assembly for Ethylene Oxide (ETO) 0 - 10 ppm, EC type, XP Division 2, 7 pin	1,310.00
66-1011-10	Sensor assembly for Formaldehyde (HCHO) 0 - 10 ppm, EC type, XP Division 2, 7 pin	1,310.00
66-1039-40	Sensor assembly for Hydrogen (H2) 0 - 100% LEL (0-4% vol), EC type, XP Division 1, 7 pin	1,310.00
66-1004-10	Sensor assembly for Hydrogen Chloride (HCl) 0 - 100 ppm, EC type, XP Division 2, 7 pin	1,310.00
66-1005-50	Sensor assembly for Hydrogen Cyanide (HCN) 0 - 50 ppm, EC type, XP Division 2, 7 pin	840.00
66-1014-10	Sensor assembly for Hydrogen Fluoride (HF) 0 - 10 ppm, EC type, XP Division 2, 7 pin	1,310.00
66-1016-10	Sensor assembly for Ethylene Oxide (ETO) 0 - 10 ppm, EC type, XP Division 2, 7 pin	1,310.00
66-1003-1-10	Sensor assembly for Hydrogen Sulfide (H2S) Low Range, 0 - 100 ppm, EC type, XP Division 1, 7 pin	675.00
66-1003-2-2K	Sensor assembly for Hydrogen Sulfide (H2S) High range, 0 - 2000 ppm, EC type, XP Division 1, 7 pin	840.00
66-1007-25	Sensor assembly for Nitric Oxide (NO) 0 - 250 ppm, EC type, XP Division 2, 7 pin	840.00
66-1008-20	Sensor assembly for Nitrogen Dioxide (NO2) 0 - 20 ppm, EC type, XP Division 2, 7 pin	840.00
66-1002-25	Sensor assembly for Oxygen (O2) 0 - 25 % Volume, EC type, XP Division 1, 7 pin	840.00
66-1009-1-05	Sensor assembly for Ozone (O3), 0 - 5 ppm, EC type, XP Division 2, 7 pin	840.00
66-1009-2-99	Sensor assembly for Ozone (O3), high range 0 - 100 ppm, EC type, XP Division 2, 7 pin	840.00
66-1015-05	Sensor assembly for Phosphine (PH3) 0 - 5 ppm, EC type, XP Division 2, 7 pin	1,485.00
66-1010-20	Sensor assembly for Sulfur Dioxide (SO2) 0 - 20 ppm, EC type, XP Division 2, 7 pin	840.00
66-1302	Sensor assembly for VOC (10.6 eV PID) 0 - 50 ppm, XP Division 1, 7 pin	1,860.00
66-1303	Sensor assembly for VOC (10.6 eV PID) 0 - 2000 ppm, XP Division 1, 7 pin	1,670.00
66-1305	Sensor assembly for VOC (10.0 eV PID) 0 - 100 ppm, XP Division 1, 7 pin	1,860.00
66-1304	Sensor assembly for VOC (11.7 eV PID) 0 - 100 ppm, XP Division 1, 7 pin	2,400.00

AirLink Wireless Controllers & Transmitters

Replacement Parts and Accessories for AirLink 6940XP

Part#	Description	Suggested Retail
23-0306	Cart stand for AirLink 6940	825.00
47-5110-7-XX	Cable with 7-pin connector to remote mount sensor (battery powered) for explosion proof and non-explosion proof, price per foot (specify length in place of -XX)	7.90
47-5111-100	Antenna extension cable, 100 feet, N-male to N-female for AirLink models	650.00
47-5111-15	Antenna extension cable, 15 feet, N-male to N-female for AirLink models	165.00
47-5111-25	Antenna extension cable, 25 feet, N-male to N-female for AirLink models	215.00
47-5111-50	Antenna extension cable, 50 feet, N-male to N-female for AirLink models	330.00
47-5111-75	Antenna extension cable, 75 feet, N-male to N-female for AirLink models	495.00
49-1416-02	Battery pack, Lithium-thionyl, 4 cells, non-rechargeable, 3.6 VDC 76 AH with connector for AirLink 6940	155.00
61-2003	Remote sensor mounting kit, explosion proof with 7-pin connector for T2A/AirLink 6900/ AirLink 6940XP (order cable separate)	450.00
81-1184	Rain guard for T2A/T3A/VOC Pro type explosion proof detector	20.00
82-0104	Magnetic wand for AirLink 6940	50.00
Z2000-CAP-ASSY	Sensor housing cap with flame arrestor and O-ring, for T3A/VOC Pro/6900/6940XP Airlink products and T2A/T3A	210.00
ZA-ANTENNA-MT	Antenna mount for Airlink wireless radio	66.00

Calibration Kits for AirLink 6940XP (Cylinders sold separately)

Part#	Description	Suggested Retail
81-429	AirLink 6940 cal kit equipment for 1-2 cylinders, includes carrying case, regulator for 34AL/58AL/103L cylinders, tubing, cal cup (cylinders sold separately)	360.00
81-439	AirLink 6940 cal kit equipment for 3 cylinders, includes carrying case, regulator for 34AL/58AL/103L cylinders, tubing, cal cup (cylinders sold separately)	425.00
81-449	AirLink 6940 cal kit equipment for 4 cylinders, includes carrying case, regulator for 34AL/58AL/103L cylinders, tubing, cal cup (cylinders sold separately)	550.00

Calibration Equipment for AirLink 6940XP

Part#	Description	Suggested Retail
81-0012RK-01	Cylinder, CH4 50% LEL in air, 34L steel	55.00
81-0012RK-03	Cylinder, CH4 50% LEL/air, 103L steel	150.00
81-0151RK-02	Cylinder, H2S 25 ppm in N2, 58AL	150.00
81-0151RK-04	Cylinder, H2S 25 ppm in N2, 34AL	130.00
81-0170RK-02	Cylinder, SO2 5 ppm in N2, 58AL	160.00
81-0170RK-04	Cylinder, SO2 5 ppm in N2, 34AL	140.00
81-0176RK-02	Cylinder, NH3 25 ppm in N2, 58AL	300.00
81-0176RK-04	Cylinder, NH3 25 ppm in N2, 34AL	280.00
81-0181RK-02	Cylinder, NO 25 ppm in N2, 58AL	300.00
81-0181RK-04	Cylinder, NO 25 ppm in N2, 34AL	260.00
81-0185RK-02	Cylinder, PH3 0.5 ppm in N2, 58AL	300.00
81-0185RK-04	Cylinder, PH3 0.5 ppm in N2, 34AL	260.00
81-0190RK-02	Cylinder, Cl2 5 ppm in N2, 58AL	340.00
81-0190RK-04	Cylinder, Cl2 5 ppm in N2, 34AL	220.00
81-0195RK-02	Cylinder, HCl 5 ppm in N2, 58AL	300.00
81-0195RK-04	Cylinder, HCl 5 ppm in N2, 34AL	280.00
81-0196RK-02	Cylinder, HCN 10 ppm in N2, 58AL	300.00
81-0196RK-04	Cylinder, HCN 10 ppm in N2, 34AL	280.00
81-1050RK	Regulator, with gauge & knob, 17/34L, 0.5 LPM, CGA 600 fitting	125.00
81-1051RK	Regulator, with gauge & knob, 34AL/58AL/103L steel, 0.5 LPM, C-10 fitting	125.00
81-1183	Cal cup with 3 ft 1/8" ID x 1/4" OD teflon tubing for T2A/T3A/VOC Pro/AirLink 6900 type detectors	160.00

Fixed Systems Sensors & Transmitters

AirLink 6940NXP Quad Transmitter, Non Explosion Proof

- Non Explosion proof transmitter
- 2 to 4 sensors in one NEMA 4X enclosure
- AC Powered with battery backup, includes power cord & cable grip



Ordering Information

- 1) Select the AirLink 6940 NXP unit based on the number of sensors needed.
- 2) Select the sensor assemblies to match the number of sensors in step 1.

Part#	Description	Suggested Retail
74-429NXP	AirLink 6940NXP quad transmitter for 2 sensors, non explosion proof, AC powered, wireless 900 MHz radio, sensor assemblies selection needed	2,890.00
74-439NXP	AirLink 6940NXP quad transmitter for 3 sensors, non explosion proof, AC powered, wireless 900 MHz radio, sensor assemblies selection needed	2,890.00
74-449NXP	AirLink 6940NXP quad transmitter for 4 sensors, non explosion proof, AC powered, wireless 900 MHz radio, sensor assemblies selection needed	2,890.00

AirLink 6940NXP Sensors Assembly Options - Non Explosion Proof

Part#	Description	Suggested Retail
66-2006-1-10	Sensor assembly for Ammonia (NH3), 0 - 100 ppm, EC type, non XP, 7-pin.....	760.00
66-2006-2-99	Sensor assembly for Ammonia (NH3), High range 0 - 1000 ppm, EC type, non XP, 7-pin	760.00
66-2068-01	Sensor assembly for Arsine (AsH3) 0 - 1 ppm, EC type, non XP, 7-pin	1,230.00
66-2067-05	Sensor assembly for Carbon Dioxide (CO2) 0 - 5 % Volume, LPIR - Low Power Infrared, non XP, 7-pin ...	1,220.00
66-2001-10	Sensor assembly for Carbon Monoxide (CO) 0 - 1000 ppm, EC type, non XP, 7-pin	580.00
66-2012-10	Sensor assembly for Chlorine (Cl2) 0 - 10 ppm, EC type, non XP, 7-pin	760.00
66-2013-01	Sensor assembly for Chlorine Dioxide (ClO2) 0 - 1 ppm, EC type, non XP, 7-pin	760.00
66-2060-10	Sensor assembly for Combustible (CH4) 0 - 100 % LEL, CH4, LPIR - Low Power Infrared, non XP, 7-pin...	1,220.00
66-2063-10	Sensor assembly for Combustible (HC) 0 - 100 % Vol., LPIR - Low Power Infrared, non XP, 7-pin	1,220.00
66-2062-99	Sensor assembly for Combustible (CH4) 0 - 100 % Volume, LPIR - Low Power Infrared, non XP, 7-pin ...	1,220.00
66-2016-10	Sensor assembly for Ethylene Oxide (ETO) 0 - 10 ppm, EC type, non XP, 7-pin	1,220.00
66-2011-10	Sensor assembly for Formaldehyde (HCHO) 0 - 10 ppm, EC type, non XP, 7-pin.....	1,220.00
66-2039-40	Sensor assembly for Hydrogen (H2) 0 - 100% LEL (0-4% vol), EC type, non XP, 7-pin	760.00
66-2004-10	Sensor assembly for Hydrogen Chloride (HCl) 0 - 100 ppm, EC type, non XP, 7-pin	1,220.00
66-2005-50	Sensor assembly for Hydrogen Cyanide (HCN) 0 - 50 ppm, EC type, non XP, 7-pin.....	760.00
66-2014-10	Sensor assembly for Hydrogen Fluoride (HF) 0 - 10 ppm, EC type, non XP, 7-pin	1,120.00
66-2003-1-10	Sensor assembly for Hydrogen Sulfide (H2S) 0 - 100 ppm, EC type, non XP, 7-pin	580.00
66-2003-2-2K	Sensor assembly for Hydrogen Sulfide (H2S) High range 0 - 2000 ppm, EC type, non XP, 7-pin	760.00
66-2007-25	Sensor assembly for Nitric Oxide (NO) 0 - 250 ppm, EC type, non XP, 7-pin	760.00
66-2008-20	Sensor assembly for Nitrogen Dioxide (NO2) 0 - 20 ppm, EC type, non XP, 7-pin	760.00
66-2002-25	Sensor assembly for Oxygen (O2) 0 - 25 % Volume, EC type, non XP, 7-pin.....	760.00
66-2009-1-05	Sensor assembly for Ozone (O3), 0 - 5 ppm, EC type, non XP, 7-pin.....	760.00
66-2009-2-99	Sensor assembly for Ozone (O3), high range 0 - 100 ppm, EC type, non XP, 7-pin	760.00
66-2015-05	Sensor assembly for Phosphine (PH3) 0 - 5 ppm, EC type, non XP, 7-pin.....	1,350.00
66-2010-20	Sensor assembly for Sulfur Dioxide (SO2) 0 - 20 ppm, EC type, non XP, 7-pin.....	760.00
66-2302	Sensor assembly for VOC (10.6 eV PID) 0 - 50 ppm, non XP, 7-pin	1,770.00
66-2303	Sensor assembly for VOC (10.6 eV PID) 0 - 2000 ppm, non XP, 7-pin	1,590.00
66-2305	Sensor assembly for VOC (10.0 eV PID) 0 - 100 ppm, non XP, 7-pin	1,770.00
66-2304	Sensor assembly for VOC (11.7 eV PID) 0 - 100 ppm, non XP, 7-pin.....	2,370.00

AirLink Wireless Controllers & Transmitters

Replacement Parts and Accessories for AirLink 6940 NXP

<u>Part#</u>	<u>Description</u>	<u>Suggested Retail</u>
47-5110-7-XX	Cable with 7-pin connector to remote mount sensor (battery powered) for explosion proof and non-explosion proof, price per foot (specify length in place of -XX)	7.90
47-5111-100	Antenna extension cable, 100 feet, N-male to N-female for AirLink models	650.00
47-5111-15	Antenna extension cable, 15 feet, N-male to N-female for AirLink models	165.00
47-5111-25	Antenna extension cable, 25 feet, N-male to N-female for AirLink models	215.00
47-5111-50	Antenna extension cable, 50 feet, N-male to N-female for AirLink models	330.00
47-5111-75	Antenna extension cable, 75 feet, N-male to N-female for AirLink models	495.00
61-2002	Remote sensor mounting kit, explosion proof for AirLink Alert/AirLink 6940NXP (order cable separate)	190.00
81-1185	Cal cup with 3 ft 1/8" ID x 1/4" OD teflon tubing, for non explosion proof Air Alert and AirLink Alert type detectors	45.00
82-0101RK	Magnetic wand, for M2A-XL/T2A/T3A/VOC Pro/Air Alert/AirLink Transmitters	20.00
ZA-ANTENNA-MT	Antenna mount for Airlink wireless radio	66.00

AirLink Wireless Controllers & Transmitters

AirLink Alert Wireless Transmitter, Battery Powered, Non Explosion Proof



Ordering Information

66-5[Battery=B] [2 digit gas designator]-[2 digit range suffix]- [radio frequency=W (900)/Y(2.4)]

Part#	Description	Suggested Retail
66-5B06-10-W	Airlink Alert, Ammonia (NH3) 0-100 ppm, dual battery powered, 900 MHz radio.....	1,960.00
66-5B06-99-W	Airlink Alert, Ammonia (NH3) 0-1000 ppm, dual battery powered, 900 MHz radio	1,960.00
66-5B68-01-W	Airlink Alert, Arsine (AsH3) 0-1 ppm, dual battery powered, 900 MHz radio	2,435.00
66-5B67-05-W	Airlink Alert, Carbon Dioxide (CO2) 0-5% vol, LPIR, dual battery powered, 900 MHz radio	2,435.00
66-5B01-99-W	Airlink Alert, Carbon Monoxide (CO) 0-1000 ppm, dual battery powered, 900 MHz radio.....	1,795.00
66-5B12-10-W	Airlink Alert, Chlorine (Cl2) 0-10 ppm, dual battery powered, 900 MHz radio	1,960.00
66-5B13-01-W	Airlink Alert, Chlorine Dioxide (ClO2) 0-1 ppm, dual battery powered, 900 MHz radio	1,960.00
66-5B16-10-W	Airlink Alert, Ethylene Oxide (ETO) 0-10 ppm, dual battery powered, 900 MHz radio	2,435.00
66-5B11-10-W	Airlink Alert, Formaldehyde (HCHO) 0-10 ppm, dual battery powered, 900 MHz radio	2,435.00
66-5B60-10-W	Airlink Alert, Hydrocarbons (CH4) 0-100% LEL, LPIR, dual battery powered, 900 MHz radio	2,435.00
66-5B62-99-W	Airlink Alert, Hydrocarbons (CH4) 0-100% vol, LPIR, dual battery powered, 900 MHz radio	2,435.00
66-5B63-10-W	Airlink Alert, Hydrocarbons (HC) 0-100% LEL, LPIR, dual battery powered, 900 MHz radio	2,435.00
66-5B39-40-W	Airlink Alert, Hydrogen (H2) 0 - 100% LEL (0-4% vol), EC type, dual battery powered, 900 MHz radio ...	2,435.00
66-5B04-02-W	Airlink Alert, Hydrogen Chloride (HCl) 0-20 ppm, dual battery powered, 900 MHz radio	1,960.00
66-5B04-10-W	Airlink Alert, Hydrogen Chloride (HCl) 0-100 ppm, dual battery powered, 900 MHz radio	1,960.00
66-5B05-50-W	Airlink Alert, Hydrogen Cyanide (HCN) 0-50 ppm, dual battery powered, 900 MHz radio	1,960.00
66-5B14-10-W	Airlink Alert, Hydrogen Fluoride (HF) 0-10 ppm, dual battery powered, 900 MHz radio	2,435.00
66-5B03-01-W	Airlink Alert, Hydrogen Sulfide (H2S) 0-10 ppm, dual battery powered, 900 MHz radio	1,795.00
66-5B03-02-W	Airlink Alert, Hydrogen Sulfide (H2S) 0-25 ppm, dual battery powered, 900 MHz radio	1,795.00
66-5B03-05-W	Airlink Alert, Hydrogen Sulfide (H2S) 0-50 ppm, dual battery powered, 900 MHz radio	1,795.00
66-5B03-10-W	Airlink Alert, Hydrogen Sulfide (H2S) 0-100 ppm, dual battery powered, 900 MHz radio	1,795.00
66-5B03-50-W	Airlink Alert, Hydrogen Sulfide (H2S) 0-500 ppm, dual battery powered, 900 MHz radio	1,960.00
66-5B03-2K-W	Airlink Alert, Hydrogen Sulfide (H2S) 0-2000 ppm, dual battery powered, 900 MHz radio	1,960.00
66-5B07-25-W	Airlink Alert, Nitric Oxide (NO) 0-20 ppm, dual battery powered, 900 MHz radio	1,960.00
66-5B08-20-W	Airlink Alert, Nitrogen Dioxide (NO2) 0-20 ppm, dual battery powered, 900 MHz radio	1,960.00
66-5B02-25-W	Airlink Alert, Oxygen (O2) 0-25% vol, dual battery powered, 900 MHz radio	1,725.00
66-5B09-05-W	Airlink Alert, Ozone (O3) 0-5 ppm, dual battery powered, 900 MHz radio	1,960.00
66-5B09-99-W	Airlink Alert, Ozone (O3) 0-100 ppm, dual battery powered, 900 MHz radio	1,960.00
66-5B15-05-W	Airlink Alert, Phosphine (PH3) 0-5 ppm, dual battery powered, 900 MHz radio	2,560.00
66-5B10-20-W	Airlink Alert, Sulfur Dioxide (SO2) 0-20 ppm, dual battery powered, 900 MHz radio	1,960.00
66-5B92-01-W	Airlink Alert, VOC (10.6 eV PID) 0-10 ppm, dual battery powered, 900 MHz radio	3,550.00
66-5B92-02-W	Airlink Alert, VOC (10.6 eV PID) 0-20 ppm, dual battery powered, 900 MHz radio	3,550.00
66-5B92-05-W	Airlink Alert, VOC (10.6 eV PID) 0-50 ppm, dual battery powered, 900 MHz radio	3,550.00
66-5B93-10-W	Airlink Alert, VOC (10.6 eV PID) 0-100 ppm, dual battery powered, 900 MHz radio	3,380.00
66-5B93-20-W	Airlink Alert, VOC (10.6 eV PID) 0-200 ppm, dual battery powered, 900 MHz radio	3,380.00
66-5B93-50-W	Airlink Alert, VOC (10.6 eV PID) 0-500 ppm, dual battery powered, 900 MHz radio	3,380.00
66-5B93-1K-W	Airlink Alert, VOC (10.6 eV PID) 0-1000 ppm, dual battery powered, 900 MHz radio	3,380.00
66-5B93-2K-W	Airlink Alert, VOC (10.6 eV PID) 0-2000 ppm, dual battery powered, 900 MHz radio	3,380.00
66-5B95-01-W	Airlink Alert, VOC (10.0 eV PID) 0-10 ppm, dual battery powered, 900 MHz radio	3,550.00
66-5B95-02-W	Airlink Alert, VOC (10.0 eV PID) 0-20 ppm, dual battery powered, 900 MHz radio	3,550.00
66-5B95-05-W	Airlink Alert, VOC (10.0 eV PID) 0-50 ppm, dual battery powered, 900 MHz radio	3,550.00
66-5B95-10-W	Airlink Alert, VOC (10.0 eV PID) 0-100 ppm, dual battery powered, 900 MHz radio	3,550.00
66-5B94-10-W	Airlink Alert, VOC (11.7 eV PID) 0-100 ppm, dual battery powered, 900 MHz radio	4,100.00

Fixed Systems Sensors & Transmitters

Replacement Parts and Accessories for AirLink Alert

Part#	Description	Suggested Retail
47-5110-5-XX	Cable with 5-pin connector to remote mount sensor for explosion proof and non-explosion proof, price per foot (specify length in place of -XX)	7.90
61-2002	Remote sensor mounting kit, explosion proof for AirLink Alert/AirLink 6940NXP (order cable separate)	190.00
81-1185	Cal cup with 3 ft 1/8" ID x 1/4" OD teflon tubing, for non explosion proof Air Alert and AirLink Alert type detectors	45.00
82-0101RK	Magnetic wand, for M2A-XL/T2A/T3A/VOC Pro/Air Alert/AirLink Transmitters	20.00
ZA-ANTENNA-MT	Antenna mount for Airlink wireless radio	66.00
ZA-SD-CAP-ASSY	Flow through adapter, for Air Alert/AirLink Alert	165.00

AirLink Replacement Sensors (Plug-in Sensors Only)

Part#	Description	Suggested Retail
66-0006-1	Sensor, Ammonia (NH3) covers full scale up to 100 ppm, EC type	400.00
66-0006-2	Sensor, Ammonia (NH3) high range, covers full scale from 200 to 1000 ppm, Semeatech, EC type	400.00
66-0068	Sensor, Arsine (AsH3) 0 - 1 ppm, EC type	900.00
66-0067	Sensor, Carbon Dioxide (CO2) 0 - 5%, LPIR type	800.00
66-0001	Sensor, Carbon Monoxide (CO) covers full scale up to 0 - 1000 ppm, EC type	220.00
66-0012	Sensor, Chlorine (Cl2) covers full scale up to 20 ppm, EC type	400.00
66-0013	Sensor, Chlorine Dioxide (ClO2) covers full scale up to 5 ppm, EC type	400.00
66-0016	Sensor, Ethylene Oxide (ETO) 0 - 10 ppm, EC type	900.00
66-0011	Sensor, Formaldehyde (HCHO) 0 - 10 ppm, EC type	900.00
66-0060	Sensor, Hydrocarbons (CH4) 0 - 100 % LEL, LPIR type	800.00
66-0062	Sensor, Hydrocarbons (CH4) 0 - 100 % vol, LPIR type	800.00
66-0063	Sensor, Hydrocarbons (HC) 0 - 100 % LEL, LPIR type	800.00
66-0039	Sensor, Hydrogen (H2) 0 - 100% LEL (0-4% vol), EC type	900.00
66-0004-1	Sensor, Hydrogen Chloride (HCl) covers full scale up to 20 ppm, EC type	400.00
66-0004-2	Sensor, Hydrogen Chloride (HCl) covers full scale up to 200 ppm, EC type	400.00
66-0005	Sensor, Hydrogen Cyanide (HCN) 0 - 50 ppm, EC type	400.00
66-0014	Sensor, Hydrogen Fluoride (HF) 0 - 10 ppm, EC type	900.00
66-0003-1	Sensor, Hydrogen Sulfide (H2S) 0 - 100 ppm, EC type	220.00
66-0003-2	Sensor, Hydrogen Sulfide (H2S) covers full scale from 200 ppm to 2000 ppm, EC type	400.00
66-0007	Sensor, Nitric Oxide (NO) covers full scale up to 250 ppm, EC type	400.00
66-0008	Sensor, Nitrogen Dioxide (NO2) 0 - 20 ppm, EC type	400.00
66-0002	Sensor, Oxygen (O2) 0 - 25 % volume, capillary type	400.00
66-0009-1	Sensor, Ozone (O3) 0 - 5 ppm, EC type	900.00
66-0009-2	Sensor, Ozone (O3) high range sensor covers full scale from 10 ppm to 100 ppm, EC type	900.00
66-0015	Sensor, Phosphine (PH3) 0 - 5 ppm, EC type	1,025.00
66-0010	Sensor, Sulfur Dioxide (SO2) 0 - 20 ppm, EC type	400.00
61-0302	Sensor, Volatile Organic Compounds (VOC) 0-50 ppm, 10.6 eV PID, low ppm sensor for VOC Pro, Air Alert, AirLink VOC Pro, AirLink Alert	1,200.00
61-0303	Sensor, Volatile Organic Compounds (VOC) 0-2000 ppm, 10.6 eV PID, high ppm sensor for VOC Pro, Air Alert, AirLink VOC Pro, AirLink Alert	1,000.00
61-0305	Sensor, Volatile Organic Compounds (VOC) 0-100 ppm/0-50 ppm for Benzene, 10.0 eV PID for VOC Pro, Air Alert, AirLink VOC Pro, AirLink Alert	1,200.00
61-0304	Sensor, Volatile Organic Compounds (VOC) 0-100 ppm, 11.7 eV PID for VOC Pro, Air Alert, AirLink VOC Pro, AirLink Alert	1,700.00

Fixed Systems Sensors & Transmitters

OX-600 Indoor Stand Alone Oxygen Monitor Alkaline

<u>Part#</u>	<u>Description</u>	<u>Suggested Retail</u>
72-1004	OX-600 oxygen monitor, 0-25%, battery operated (2 AA batteries)	785.00
72-1004-03	OX-600 oxygen monitor, 0-25%, battery operated (2 AA batteries) with 3 meter sensor cable installed	925.00
72-1004-05	OX-600 oxygen monitor, 0-25%, battery operated (2 AA batteries) with 5 meter sensor cable installed	945.00
72-1004-10	OX-600 oxygen monitor, 0-25%, battery operated (2 AA batteries) with 10 meter sensor cable installed	985.00
72-1004-20	OX-600 oxygen monitor, 0-25%, battery operated (2 AA batteries) with 20 meter sensor cable installed	1,085.00



OX-600 Indoor Stand Alone Oxygen Monitor 24 VDC

<u>Part#</u>	<u>Description</u>	<u>Suggested Retail</u>
72-1005	OX-600 oxygen monitor, 0-25%, 24 VDC operation	785.00
72-1005-03	OX-600 oxygen monitor, 0-25%, 24 VDC operation with 3 meter sensor cable	925.00
72-1005-05	OX-600 oxygen monitor, 0-25%, 24 VDC operation with 5 meter sensor cable	945.00
72-1005-10	OX-600 oxygen monitor, 0-25%, 24 VDC operation with 10 meter sensor cable	985.00
72-1005-20	OX-600 oxygen monitor, 0-25%, 24 VDC operation with 20 meter sensor cable	1,085.00

OX-600 Indoor Stand Alone Oxygen Monitor 115 VAC *

<u>Part#</u>	<u>Description</u>	<u>Suggested Retail</u>
72-1006	OX-600 oxygen monitor, 0-25%, 115 VAC operation with power cord	785.00
72-1006-03	OX-600 oxygen monitor, 0-25%, 115 VAC operation with 3 meter sensor cable and power cord	925.00
72-1006-05	OX-600 oxygen monitor, 0-25%, 115 VAC operation with 5 meter sensor cable and power cord	945.00
72-1006-10	OX-600 oxygen monitor, 0-25%, 115 VAC operation with 10 meter sensor cable and power cord	985.00
72-1006-20	OX-600 oxygen monitor, 0-25%, 115 VAC operation with 20 meter sensor cable and power cord	1,085.00

Replacement Parts & Accessories

<u>Part#</u>	<u>Description</u>	<u>Suggested Retail</u>
21-1927	Mounting plate for instrument removal, for OX-600/EC-600/RI-600	10.00
21-1972	Sensor holder for OX-600	5.00
47-1556-03	Extender cable with remote box, 3 meter, 600 Series	140.00
47-1556-05	Extender cable with remote box, 5 meter, 600 Series	160.00
47-1556-10	Extender cable with remote box, 10 meter, 600 Series	200.00
47-1556-20	Extender cable with remote box, 20 meter, 600 Series	300.00
57-2089	PCB assembly, sensor unit, OX-600	125.00
81-1153	Cal cup for OX-600 / EC-600	45.00
OS-BM1D	Sensor, Oxygen (O2), OS-BM1D for OX-600	150.00

Calibration Kits

<u>Instrument #</u>	<u>Cal-Kit Part #</u>	<u>Cal-Kit Description</u>	<u>Price</u>
72-1004	81-OX600-LV	Cal Kit, fixed for OX-600, N2 100% 34L, regulator, cal cup, case & tubing	345.00
72-1005	81-OX600A-LV	Cal Kit, fixed for OX-600, N2 100% 34L, Zero Air 34L, regulator, cal cup, case & tubing	400.00
72-1006			

* **Note:** For CSA version add -CSA to the end of the part # and add \$15 to the price. Power cord not included.

Fixed Systems Specialty Products

EC-600 Indoor Stand Alone Carbon Monoxide Monitor Alkaline



<u>Part#</u>	<u>Description</u>	<u>Suggested Retail</u>
73-1202	EC-600 carbon monoxide monitor, 0-150 ppm, battery operated (2 AA batteries)	945.00
73-1202-03	EC-600 carbon monoxide monitor, 0-150 ppm, battery operated (2 AA batteries) with 3 meter sensor cable installed	1,085.00
73-1202-05	EC-600 carbon monoxide monitor, 0-150 ppm, battery operated (2 AA batteries) with 5 meter sensor cable installed	1,105.00
73-1202-10	EC-600 carbon monoxide monitor, 0-150 ppm, battery operated (2 AA batteries) with 10 meter sensor cable installed	1,145.00
73-1202-20	EC-600 carbon monoxide monitor, 0-150 ppm, battery operated (2 AA batteries) with 20 meter sensor cable installed	1,245.00

EC-600 Indoor Stand Alone Carbon Monoxide Monitor 24 VDC

<u>Part#</u>	<u>Description</u>	<u>Suggested Retail</u>
73-1203	EC-600 carbon monoxide monitor, 0-150 ppm, 24 VDC operation	945.00
73-1203-03	EC-600 carbon monoxide monitor, 0-150 ppm, 24 VDC operation with 3 meter sensor cable	1,085.00
73-1203-05	EC-600 carbon monoxide monitor, 0-150 ppm, 24 VDC operation with 5 meter sensor cable	1,105.00
73-1203-10	EC-600 carbon monoxide monitor, 0-150 ppm, 24 VDC operation with 10 meter sensor cable	1,145.00
73-1203-20	EC-600 CO monitor, 0-150 ppm, 24 VDC operated with 20 meter extender cable	1,245.00

EC-600 Indoor Stand Alone Carbon Monoxide Monitor 115 VAC *

<u>Part#</u>	<u>Description</u>	<u>Suggested Retail</u>
73-1204	EC-600 carbon monoxide, 0-150 ppm, 115 VAC operation & power cord	945.00
73-1204-03	EC-600 carbon monoxide, 0-150 ppm, 115 VAC operation, 3 meter sensor cable & power cord	1,085.00
73-1204-05	EC-600 carbon monoxide, 0-150 ppm, 115 VAC operation, 5 meter sensor cable & power cord	1,105.00
73-1204-10	EC-600 carbon monoxide, 0-150 ppm, 115 VAC operation, 10 meter sensor cable & power cord	1,145.00
73-1204-20	EC-600 carbon monoxide, 0-150 ppm, 115 VAC operation, 20 meter sensor cable & power cord	1,245.00

Replacement Parts & Accessories

<u>Part#</u>	<u>Description</u>	<u>Suggested Retail</u>
21-1927	Mounting plate for instrument removal, for OX-600/EC-600/RI-600	10.00
33-7101RK	Charcoal Filter for CO sensor (GX-82A/-86A), fixed system CO sensors	6.00
47-1556-03	Extender cable with remote box, 3 meter, 600 Series	140.00
47-1556-05	Extender cable with remote box, 5 meter, 600 Series	160.00
47-1556-10	Extender cable with remote box, 10 meter, 600 Series	200.00
47-1556-20	Extender cable with remote box, 20 meter, 600 Series	300.00
81-1153	Cal cup for OX-600 / EC-600	45.00
ES-031M-CO	Sensor, Carbon Monoxide (CO), 0 - 1,000 ppm for RX-515	225.00

Calibration Kits

<u>Instrument #</u>	<u>Cal-Kit Part #</u>	<u>Cal-Kit Description</u>	<u>Price</u>
73-1202 73-1203 73-1204	81-EC600-LV	Cal Kit, fixed for EC-600, 34L cyl 50 ppm CO in N2, reg with gauge & knob, cal cup, case & tubing	345.00
	81-EC600A-LV	Cal Kit, fixed for EC-600, 34L cyl 50 ppm CO in N2, 34L Zero Air, reg with gauge & knob, cal cup, case & tubing	380.00

* **Note:** For CSA version add -CSA to the end of the part # and add \$15 to the price. Power cord not included.

Fixed Systems Specialty Products

RI-600 Indoor Stand Alone Carbon Dioxide Monitor - 24 VDC

<u>Part#</u>	<u>Description</u>	<u>Suggested Retail</u>
73-1205-02K	RI-600 carbon dioxide monitor, 0-2000 ppm, 24 VDC operation	980.00
73-1205-05K	RI-600 carbon dioxide monitor, 0-5000 ppm, 24 VDC operation	980.00
73-1205-10K	RI-600 carbon dioxide monitor, 0-10,000 ppm, 24 VDC operation	980.00
73-1205-20K	RI-600 carbon dioxide monitor, 0-2.00%, 24 VDC operation	980.00
73-1205-50K	RI-600 carbon dioxide monitor, 0-5.00%, 24 VDC operation	980.00



RI-600 Indoor Stand Alone Carbon Dioxide Monitor - 115 VAC

<u>Part#</u>	<u>Description</u>	<u>Suggested Retail</u>
73-1206-02K	RI-600 carbon dioxide monitor, 0-2000 ppm, 115 VAC operation and power cord.....	980.00
73-1206-05K	RI-600 carbon dioxide monitor, 0-5000 ppm, 115 VAC operation and power cord.....	980.00
73-1206-10K	RI-600 carbon dioxide monitor, 0-10,000 ppm, 115 VAC operation and power cord	980.00
73-1206-20K	RI-600 carbon dioxide monitor, 0-2.00%, 115 VAC operation and power cord	980.00
73-1206-50K	RI-600 carbon dioxide monitor, 0-5.00%, 115 VAC operation and power cord	980.00

* **Note:** 115 VAC version not available in Canada. For Canada, use 24 VDC version + 49-2005RK-01 adapter.

Calibration Kits

<u>Instrument #</u>	<u>Cal-Kit Part #</u>	<u>Cal-Kit Description</u>	<u>Price</u>
73-1205-02K 73-1206-02K	81-RI60002K-LV	Cal kit, RI-600, CO2 2,000 ppm in N2, 34L cyl, N2 100%, 34L cyl, cal cup, regulator, case & tubing	400.00
73-1205-05K 73-1205-10K 73-1205-20K 73-1206-05K 73-2106-10K 73-1206-20K	81-RI60005K-LV	Cal kit, RI-600, CO2 5,000 ppm in N2, 34L cyl, N2 100%, 34L cyl, cal cup, regulator, case & tubing	400.00
73-1205-50K 73-1206-50K	81-RI60050K-LV	Cal kit, RI-600, CO2 2.5% in N2, 34L cyl, N2 100%, 34L cyl, cal cup, regulator, case & tubing	400.00

Replacement Parts & Accessories

<u>Part#</u>	<u>Description</u>	<u>Suggested Retail</u>
21-1927	Mounting plate for instrument removal, for OX-600/EC-600/RI-600	10.00
47-1556-01	Extender cable with remote box, 1 meter, 600 series	135.00
47-1556-03	Extender cable with remote box, 3 meter, 600 Series	140.00
47-1556-05	Extender cable with remote box, 5 meter, 600 Series	160.00
47-1556-10	Extender cable with remote box, 10 meter, 600 Series.....	200.00
47-1556-20	Extender cable with remote box, 20 meter, 600 Series.....	300.00
49-2005RK-01	AC adapter, 100 - 240 VAC in 24 VDC / 500 mA out,with stripped wire terminations	30.00
DES-3311-5	Sensor, IR, Carbon Dioxide (CO2) 0 - 2,000/5,000/10,000 ppm ranges with scrubber for RI-600	650.00
DES-3311-6	Sensor, IR, Carbon Dioxide (CO2) 0 - 2% / 5% ranges with scrubber for RI-600	650.00

** **Note:** If extender cable is ordered along with an instrument, RKI will ship it installed on the instrument unless specified otherwise.

Fixed Systems Specialty Products

M - Series Low Cost Transmitter

ORDERING INFORMATION: The M-Series pricing includes the plastic enclosure and sensor.



<u>Part#</u>	<u>Description</u>	<u>Suggested Retail</u>
65-2424RK	Hydrogen Sulfide (H2S) sensor / transmitter in plastic enclosure (non explosion proof)	320.00
65-2434RK	Carbon Monoxide (CO) sensor / transmitter in plastic enclosure (non explosion proof)	320.00

Replacement Sensors Only

ES-1531-CO	Sensor, Carbon Monoxide (CO) 0 - 300 ppm, plug-in type, CT-7 style, cCSAus version	195.00
ES-1537-H2S	Sensor, Hydrogen Sulfide (H2S) 0 - 100 ppm, plug-in type, CT-7 style, cCSAus version	195.00

PS 2 Combustible Single Point Stand Alone Monitor

ORDERING INFORMATION: The PS 2 is provided as standard with the sensor on a 30' cable. Both 24VDC powered or 115 VAC powered versions are available, and the 115 VAC version is supplied with a 6' power cord. **(Specify gas & alarm points when ordering)**



Note: **NOT** for use in CLASS 1 Division I or Division 2 classified areas.

<u>Part#</u>	<u>Description</u>	<u>Suggested Retail</u>
73-1020RK-01	PS 2 for LEL detection, 24 VDC powered	450.00
73-1021RK-01	PS 2 for LEL detection, 115 VAC powered	450.00
73-1022RK-01	PS 2 for LEL detection, 48 VDC powered	525.00

Replacement Sensors Only

62-0010RK	Sensor assembly for PS 2, LEL, with 30' cable	150.00
62-0011RK	Sensor assembly for PS 2, PPM, with 30' cable	150.00

RI-257 FC, HCFC, HFC & IPA Infrared Monitor

ORDERING INFORMATION: The RI-257 is a fixed monitor / transmitter for detection of many different refrigerants and for IPA. Please specify exactly which refrigerant or compound you intend to use it for when placing an order. It is currently available for FC-14, FC-116, FC-218, FC-C318 (FC = Perfluoro compound gas), HFC-125, HCFC-1416, R-12, R-22, R-23, R-32, R-41, R-113, R-114, R-123, R-134a, R-152a, R404a, R-407c, R-410A, Vertrel XP, R - 225, and IPA.



<u>Part#</u>	<u>Description</u>	<u>Suggested Retail</u>
RI-257-XXX	Model RI-257 stand alone monitor (specify gas)	4,500.00

Fixed Systems Specialty Products

35-3001 Series Sample Draw Detector Assemblies (NEMA 4X Housing)



This series is available as direct connect, with transmitter, or as a multi gas unit with or without a transmitter. **NOT** for use in Division I or Division 2 classified areas.

35-3001 Single Gas Direct Connect Version (No 4-20 mA transmitter)

ORDERING INFORMATION: The 35-3001 series can be used with the Beacon 110, Beacon 200, Beacon 410A, Beacon 800, and Beacon 3200. Tubing is sold separately. Recommended tubing size is 1/4" OD.

Part#	Description	Suggested Retail
35-3001-01	35-3001 for combustibles 100% LEL	1,300.00
35-3001-01-01	35-3001 for IR Methane 100% LEL	1,600.00
35-3001-01-02	35-3001 for IR Hydrocarbon 100% LEL	1,600.00
35-3001-01-03	35-3001 for IR Methane 100% vol	1,600.00
35-3001-01H	35-3001 for Hydrogen specific 100% LEL	1,300.00
35-3001-02	35-3001 for Oxygen, 0-25% vol	1,300.00
35-3001-05-02	35-3001 for IR Carbon Dioxide 0-5,000 ppm	1,700.00
35-3001-05-03	35-3001 for IR Carbon Dioxide 0-5% vol	1,700.00
35-3001-05-05	35-3001 for IR Carbon Dioxide 0-50% vol	1,700.00
35-3001-05-10	35-3001 for IR Carbon Dioxide 0-100% vol	1,700.00
35-3001-NS-03	35-3001 with no sensor, pump only	1,100.00

35-3001 Single Gas Direct Connect Version (4-20 mA transmitter included)

ORDERING INFORMATION: The 35-3001 series can be used with the Beacon 110, Beacon 200, Beacon 410A, Beacon 800, AC-7400 and Beacon 3200. Tubing is sold separately. Recommended tubing size is 1/4" OD.

Part#	Description	Suggested Retail
35-3001-03	35-3001 for Hydrogen Sulfide 0-100 ppm	1,500.00
35-3001-04	35-3001 for Carbon Monoxide 0-300 ppm	1,500.00
35-3001A-01	35-3001 for combustibles 100% LEL sample draw detector with transmitter.....	1,550.00
35-3001A-01-01	35-3001 for IR Methane 100% LEL with transmitter	2,000.00
35-3001A-01-02	35-3001 for IR Hydrocarbon 100% LEL with transmitter	2,000.00
35-3001A-01-03	35-3001 for IR Methane 100% vol with transmitter	2,000.00
35-3001A-01H	35-3001 for Hydrogen specific 100% LEL with transmitter	1,700.00
35-3001A-02	35-3001 for Oxygen, 0-25% vol with transmitter	1,600.00
35-3001A-05-02	35-3001 for IR Carbon Dioxide 0-5,000 ppm with transmitter	2,000.00
35-3001A-05-03	35-3001 for IR Carbon Dioxide 0-5% vol with transmitter	2,000.00
35-3001A-05-05	35-3001 for IR Carbon Dioxide 0-50% vol with transmitter	2,000.00
35-3001A-05-10	35-3001 for IR Carbon Dioxide 0-100% vol with transmitter	2,000.00

Fixed Systems Specialty Products

35-3001 Multi-Gas Version (No 4-20 mA transmitter)

ORDERING INFORMATION: The 35-3001 series can be used with the Beacon 110, Beacon 200, Beacon 410A, and Beacon 3200. Tubing is sold separately. Recommended tubing size is 1/4" OD.

NOT for use in Division I or Division 2 classified areas.



Part#	Description	Suggested Retail
35-3001-06	35-3001 for combustibles 100% LEL / Oxygen 0-25% vol	1,650.00
35-3001-06-01	35-3001 for IR Methane 100% LEL / Oxygen 0-25% vol	2,000.00
35-3001-06-02	35-3001 for IR Hydrocarbon LEL / Oxygen 0-25% vol	2,000.00
35-3001-06-03	35-3001 for IR Methane % vol / Oxygen 0-25% vol	2,000.00
35-3001-07	35-3001 for combustibles 100% LEL / Hydrogen Sulfide 0-100 ppm	1,800.00
35-3001-07-01	35-3001 for IR Methane 100% LEL / Hydrogen Sulfide 0-100 ppm	2,300.00
35-3001-07-02	35-3001 for IR Hydrocarbon 100% LEL / Hydrogen Sulfide 0-100 ppm	2,300.00
35-3001-07-03	35-3001 for IR Methane % vol / Hydrogen Sulfide 0-100 ppm	2,300.00
35-3001-08	35-3001 for combustibles 100% LEL / Carbon Monoxide 0-300 ppm	1,800.00
35-3001-08-01	35-3001 for IR Methane 100% LEL / Carbon Monoxide 0-300 ppm	2,300.00
35-3001-08-02	35-3001 for IR Hydrocarbon 100% LEL / Carbon Monoxide 0-300 ppm	2,300.00
35-3001-08-03	35-3001 for IR Methane % vol / Carbon Monoxide 0-300 ppm	2,300.00
35-3001-09	35-3001 for Oxygen 0-25% vol / Hydrogen Sulfide 0-100 ppm	1,800.00
35-3001-10	35-3001 for Oxygen 0-25% vol / Carbon Monoxide 0-300 ppm	1,800.00
35-3001-11	35-3001 for combustibles 100% LEL / IR Carbon Dioxide 0-5%	1,900.00
35-3001-11-0102	35-3001 for IR Methane 100% LEL / IR Carbon Dioxide 0-5,000 ppm	2,500.00
35-3001-11-0103	35-3001 for IR Methane 100% LEL / IR Carbon Dioxide 0-5%	2,500.00
35-3001-11-0105	35-3001 for IR Methane 100% LEL / IR Carbon Dioxide 0-50%	2,500.00
35-3001-11-0110	35-3001 for IR Methane 100% LEL / IR Carbon Dioxide 0-100%	2,500.00
35-3001-11-0202	35-3001 for IR Hydrocarbon 100% LEL / IR Carbon Dioxide 0-5,000 ppm	2,500.00
35-3001-11-0203	35-3001 for IR Hydrocarbon 100% LEL / IR Carbon Dioxide 0-5%	2,500.00
35-3001-11-0205	35-3001 for IR Hydrocarbon 100% LEL / IR Carbon Dioxide 0-50%	2,500.00
35-3001-11-0210	35-3001 for IR Hydrocarbon 100% LEL / IR Carbon Dioxide 0-100%	2,500.00
35-3001-12	35-3001 for combustibles 100% LEL / IR Methane 100% LEL	2,000.00

35-3001 Multi-Gas Transmitter Version (4-20 mA transmitter included)

ORDERING INFORMATION: The 35-3001 series can be used with the Beacon 110, Beacon 200, Beacon 410A, Beacon 800, AC-7400 and Beacon 3200. Tubing is sold separately. Recommended tubing size is 1/4" OD.

NOT for use in Division I or Division 2 classified areas.

Part#	Description	Suggested Retail
35-3001A-07	35-3001 for combustibles 100% LEL / Hydrogen Sulfide 0-100 ppm with transmitter	2,100.00
35-3001A-07-01	35-3001 for IR Methane 100% LEL / Hydrogen Sulfide 0-100 ppm with transmitter	2,600.00
35-3001A-07-02	35-3001 for IR Hydrocarbon 100% LEL / Hydrogen Sulfide 0-100 ppm with transmitter	2,600.00
35-3001A-07-03	35-3001 for IR Methane % vol / Hydrogen Sulfide 0-100 ppm with transmitter	2,600.00
35-3001A-08	35-3001 for combustibles 100% LEL / Carbon Monoxide 0-300 ppm with transmitter	2,100.00
35-3001A-08-01	35-3001 for IR Methane 100% LEL / Carbon Monoxide 0-300 ppm with transmitter	2,600.00
35-3001A-08-02	35-3001 for IR Hydrocarbon 100% LEL / Carbon Monoxide 0-300 ppm with transmitter	2,600.00
35-3001A-08-03	35-3001 for IR Methane % vol / Carbon Monoxide 0-300 ppm with transmitter	2,600.00
35-3001A-09	35-3001 for Oxygen 0-25% vol / Hydrogen Sulfide 0-100 ppm with transmitter	2,100.00
35-3001A-10	35-3001 for Oxygen 0-25% vol / Carbon Monoxide 0-300 ppm with transmitter	2,100.00

Fixed Systems Specialty Products

35-3010RK Multi-Gas Version (No 4-20 mA transmitter)

ORDERING INFORMATION: The 35-3010RK series can be used with the Beacon 410A and Beacon 3200 series.

<u>Part#</u>	<u>Description</u>	<u>Suggested Retail</u>
35-3010RK-01	LEL (internal amp)/ O2 (internal amp)/ H2S/ CO (4-20mA) sample draw assembly in NEMA 4X enclosure	2,750.00
35-3010RK-02	LEL (internal amp)/ O2 (internal amp)/ H2S (4-20mA) sample draw assembly in NEMA 4X enclosure ...	2,550.00
35-3010RK-03	LEL (internal amp)/ O2 (internal amp)/CO (4-20mA) sample draw assembly in NEMA 4X enclosure.....	2,550.00

35-3010RKA Multi-Gas Transmitter Version (4-20 mA transmitter included)

ORDERING INFORMATION: The 35-3010RKA series can be used with the Beacon 410A, Beacon 800, Beacon 3200, and AC-7400 controllers.

<u>Part#</u>	<u>Description</u>	<u>Suggested Retail</u>
35-3010RKA-01	LEL/O2/ H2S/ CO sample draw assembly in NEMA 4X enclosure with transmitters	3,200.00
35-3010RKA-02	LEL/O2/ H2S sample draw assembly in NEMA 4X enclosure with transmitters	3,000.00
35-3010RKA-03	LEL/O2 /CO sample draw assembly in NEMA 4X enclosure with transmitters	2,950.00

35-3001 Series Replacement Sensors

<u>Part#</u>	<u>Description</u>	<u>Suggested Retail</u>
61-0155RK	Sensor, LEL H2 only, plug-in, (NC-6244) for EAGLE 2, 35-3001, 35-3000, GD-A8/D8	250.00
NC-6245	Sensor, Combustible 0-100% LEL for sample draw 35-3001, 35-3000, SD-1, and Model 1017	220.00
ES-1531-CO	Sensor, Carbon Monoxide (CO) 0 - 300 ppm, plug-in type, CT-7 style, cCSAus version	195.00
ES-1537-H2S	Sensor, Hydrogen Sulfide (H2S) 0 - 100 ppm, plug-in type, CT-7 style, cCSAus version	195.00
OS-B11	Sensor, Oxygen with cable and pigtail	195.00
61-5039RK-CH4	Sensor, Methane (CH4) 0-100% LEL, IR, plug-in style	400.00
61-5039RK-HC	Sensor, Hydrocarbon (HC) 0-100% LEL, IR, plug-in style	400.00
61-5041RK-CH4	Sensor, IR Methane (CH4) 0 - 100% vol, plug-in	400.00
61-5040RK-02	Sensor, IR Carbon Dioxide (CO2) 0-5,000 ppm, plug-in type, non-explosion proof	400.00
61-5040RK-03	Sensor, IR Carbon Dioxide (CO2) 0-5%, plug-in type, non-explosion proof.....	400.00
61-5040RK-05	Sensor, IR Carbon Dioxide (CO2) 0-50%, plug-in type, non-explosion proof	400.00
61-5040RK-10	Sensor, IR Carbon Dioxide (CO2) 0-100%, plug-in type, non-explosion proof.....	400.00



35-3001 / 35-3010 Series Replacement Parts

<u>Part#</u>	<u>Description</u>	<u>Suggested Retail</u>
33-6098	Charcoal Filter, DIA-BNCC,for 35-3001	34.00
30-1016RK	Replacement pump for 35-3001/GD-K7D2/GD-K77D/1017, 24 VDC,with connectors & cable, RP-D24A-1	150.00
30-0610RK	Replacement pump for 35-3010, 24VAC	220.00
30-1019RK	Pump rebuild kit, for 35-3001/35-3010	55.00
33-0165RK	Filter, Millipore, PTFE, Disc type, hydrophobic, EAGLE, Fixed Systems.....	30.00
33-0167RK	Filter, particulate, CF-8369	25.00

Fixed Systems Specialty Products

Explosion Proof Multi Point Detector Assembly, Class I, Div. 1 Approved

ORDERING INFORMATION: All pricing includes the sensor and explosion proof housing.

Note: Use IR LEL versions for wastewater or sewage applications.



Part#	Description	Suggested Retail
65-2482RK-04	Multi-sensor, direct connection for IR LEL (CH4) / CO with j-box, UL version	1,400.00
65-2482RK-05	Multi-sensor, direct connection for IR LEL (CH4) / O2 / with j-box	1,400.00
65-2482RK-03	Multi-sensor, direct connection for IR LEL (CH4) / H2S with j-box, UL version	1,400.00
65-2482RK-02	Multi-sensor, direct connection for IR LEL (CH4) / O2 / CO with j-box, UL version	1,800.00
65-2481RK-01	Multi-sensor, direct connection for IR LEL (CH4) / O2 / H2S / CO with j-box	2,300.00
65-2482RK-01	Multi-sensor, direct connection for IR LEL (CH4) / O2 / H2S with j-box, UL version.....	1,800.00
65-2482RK-06	Multi-sensor, direct connection for IR LEL (CH4) / H2S / CO with j-box	1,800.00
65-2484RK-34	Multi-sensor, direct connection for IR LEL (CH4) / H2S / CO / NH3 with j-box (not explosion proof)	2,450.00
65-2483RK-04	Multi-sensor, direct connection for IR LEL (HC) / CO with j-box, UL version	1,400.00
65-2483RK-05	Multi-sensor, direct connection for IR LEL (HC) / O2 with j-box, UL version	1,400.00
65-2483RK-03	Multi-sensor, direct connection for IR LEL (HC) / H2S with j-box, UL version	1,400.00
65-2483RK-02	Multi-sensor, direct connection for IR LEL (HC) / O2 / CO with j-box, UL version	1,800.00
65-2483RK-06	Multi-sensor, direct connection for IR LEL (HC) / H2S / CO with j-box, UL version	1,800.00
65-2481RK-02	Multi-sensor, direct connection for IR LEL (HC) / O2 / H2S / CO with j-box	2,300.00
65-2483RK-01	Multi-sensor, direct connection for IR LEL (HC) / O2 / H2S with j-box, UL version	1,800.00
65-2480RK-54	Multi-sensor, direct connection for LEL (catalytic) / CO with j-box, CSA version	1,025.00
65-2480RK-04	Multi-sensor, direct connection for LEL (catalytic) / CO with j-box, UL version	975.00
65-2480RK-03	Multi-sensor, direct connection for LEL (catalytic) / H2S with j-box, UL version	975.00
65-2480RK-53	Multi-sensor, direct connection for LEL (catalytic) / H2S with j-box, CSA version	1,025.00
65-2480RK-52	Multi-sensor, direct connection for LEL (catalytic) / O2 / CO with j-box, CSA version	1,400.00
65-2480RK-02	Multi-sensor, direct connection for LEL (catalytic) / O2 / CO with j-box, UL version	1,300.00
65-2481RK	Multi-sensor, direct connection for LEL (catalytic) / O2 / H2S / CO with j-box.....	1,900.00
65-2480RK-01	Multi-sensor, direct connection for LEL (catalytic) / O2 / H2S with j-box, UL version	1,300.00
65-2480RK-51	Multi-sensor, direct connection for LEL (catalytic) / O2 / H2S with j-box, CSA version	1,400.00
65-2480RK-05	Multi-sensor, direct connection for LEL (catalytic) / H2S / CO with j-box, CSA version	1,400.00
65-2484RK-06	Multi-sensor, direct connection for LEL (catalytic) / O2 / H2S / SO2 with j-box (not explosion proof) ...	2,000.00
65-2485RK-02	Multi-sensor, direct connection for H2S / O2 / CO with j-box, UL version	1,450.00

Wet Well Package

Part#	Description	Suggested Retail
72-2104A-WW1	Wet Well Package with Beacon 410A controller, tri-head IR LEL (HC) / O2 / H2S, and IR CH4 direct connect (for ceiling mounting)	5,250.00
72-2104A-WW2	Wet Well Package with Beacon 410A controller, tri-head IR LEL (CH4) / O2 / H2S	4,000.00
61-1003RKSS-CH4	Sensor, IR, Methane (CH4) 0 - 100% LEL, explosion proof with stainless steel j-box, UL version	950.00



Beacon 410A



Remote mount LEL IR for mounting sensor high with -WW1 wet well package.

Fixed Systems Specialty Products

Rig Monitor H2S and/or LEL Systems



M2A-XL RM



Beacon 110 RM



Beacon 200 RM

<u>Part#</u>	<u>Description</u>	<u>Suggested Retail</u>
72-2110RK	Beacon 110, single channel controller (no sensor)	1,275.00
72-2110RK-LR-01	Rig Monitor system, with Beacon 110 single channel controller, combustible sensor 0-100% LEL, with cal cup / splash guard and 25' cable, horn/strobe, and 50' power cable with battery clamps	2,050.00
72-2102RK-HLR	Rig Monitor system, with Beacon 200 two channel controller, Hydrogen Sulfide (H2S) 0-100 ppm sensor, combustible sensor 0-100% LEL, with cal cup / splash guard and 25' cable, horn/strobe, and 50' power cable with battery clamps	4,150.00
72-2102RK-HR	Rig Monitor system, with Beacon 200 two channel controller, Hydrogen Sulfide (H2S) 0-100 ppm sensor with cal cup / splash guard and 25' cable, horn/strobe, and 50' power cable with battery clamps	4,350.00
65-2645XL-HR	Rig Monitor system with M2A-XL transmitter, 0-100 ppm H2S, horn, strobe, remote mount sensor, and power cable with battery clamp	1,920.00

Replacement Sensor

<u>Part#</u>	<u>Description</u>	<u>Suggested Retail</u>
61-0140RK	Sensor, LEL combustible (catalytic), direct connection (no transmitter, no j-box), UL version	280.00
ES-1537-H2S	Sensor, Hydrogen Sulfide (H2S) 0 - 100 ppm, plug-in type, CT-7 style, cCSAus version	195.00

Calibration Kits

Instrument #	Cal-Kit Part #	Cal-Kit Description	Price
65-2625RK-HR 72-2102RK-HR 72-2110RK-HR	81-F101RK-LV	Cal kit, fixed, 34AL cyl 25 ppm Hydrogen Sulfide in N2, reg with gauge & knob, cal cup, screwdriver, case & tubing	440.00

Notes

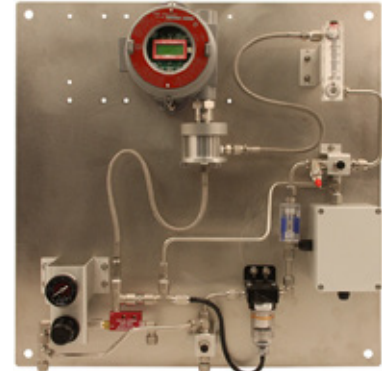
- Fixed system pricing is for equipment only and does not include factory start-up or training. Please contact RKI for quotation if factory start-up or training is needed.
- Please contact RKI if you would like assistance with pricing or configuring a system quotation.
- A calibration test kit is a strongly recommended accessory for all fixed systems.

Fixed Systems Specialty Products

Single / Dual Point Air Aspirator Panel

ORDERING INFORMATION: When ordering an Air Aspirated Panel System please specify the following:

- 1) Select the correct panel number below for 1 or 2 sensors, and for either M2A series, Direct Connect, S2 series, T2A, T3A, or VOC Pro
- 2) Select desired detector assembly M2A, Direct Connect, T2A, T3A, VOC Pro, or S2 heads as separate line items.



M2A Aspirator Panels

<u>Part#</u>	<u>Description</u>	<u>Suggested Retail</u>
30-0954RK-201	Aspirator panel for one LEL M2A transmitter, with flow switch	3,600.00
30-0954RK-202	Aspirator panel for two LEL M2A transmitters, with flow switch	3,900.00
30-0954RK-203	Aspirator panel for one oxygen or toxic M2A transmitter, with flow switch	3,600.00
30-0954RK-204	Aspirator panel for two oxygen or toxic M2A transmitters, with flow switch	3,900.00
30-0954RK-205	Aspirator panel for one IR M2A transmitter, with flow switch	3,600.00
30-0954RK-206	Aspirator panel for two IR M2A transmitters, with flow switch	3,900.00
30-0954RK-207	Aspirator panel for one LEL and one oxygen or toxic M2A transmitter, with flow switch	3,900.00
30-0954RK-208	Aspirator panel for one LEL and one IR M2A transmitters, with flow switch	3,900.00
30-0954RK-209	Aspirator panel for one oxygen or toxic and one IR M2A transmitters, with flow switch	3,900.00
30-0954-2XX	Aspirator panel for three M2A transmitters, specify gas combination, with flow switch	3,800.00

Direct Connect & S2 Aspirator Panels

<u>Part#</u>	<u>Description</u>	<u>Suggested Retail</u>
30-0954RK-261	Aspirator panel for one LEL Direct Connect or S2 transmitter, with flow switch	3,600.00
30-0954RK-263	Aspirator panel for one oxygen or toxic Direct Connect or S2 transmitter, with flow switch	3,600.00
30-0954RK-264	Aspirator panel for two oxygen or toxic Direct Connect or S2 transmitters, with flow switch	3,900.00
30-0954RK-265	Aspirator panel for one IR Direct Connect or S2 transmitters, with flow switch	3,600.00
30-0954RK-266	Aspirator panel for two IR Direct Connect or S2 transmitters, with flow switch	3,900.00
30-0954RK-267	Aspirator panel for one LEL and one oxygen or toxic Direct Connect or S2 transmitter, with flow switch	3,900.00
30-0954RK-268	Aspirator panel for one LEL and one IR Direct Connect or S2 transmitters, with flow switch	3,900.00
30-0954RK-269	Aspirator panel for one oxygen or toxic and one IR Direct Connect or S2 transmitters, with flow switch	3,600.00

T3A Aspirator Panels

<u>Part#</u>	<u>Description</u>	<u>Suggested Retail</u>
30-0954RK-281	Aspirator panel for one T2A, T3A, or VOC Pro with flow switch	3,600.00
30-0954RK-283	Aspirator panel for one LEL M2A and one T2A, T3A, or VOC Pro with flow switch	3,900.00
30-0954RK-285	Aspirator panel for one M2A with 3/4 NPT IR detector, and one T2A, T3A, or VOC Pro head	3,600.00
30-0954RK-282	Aspirator panel for two T2A, T3A, or VOC Pro heads with flow switch	3,900.00
30-0954RK-282ST	Aspirator panel for two T2A, T3A, or VOC Pro heads, super toxic type, with flow switch	3,900.00
30-0954RK-284	Aspirator panel for one oxygen or toxic M2A and one T2A, T3A, or VOC Pro heads with flow switch ...	3,900.00

Detector assemblies

Refer to detector assembly sections for complete listing

Direct Connect	Sensors with or without junction boxes, that connect directly to a controller (no transmitter)	page 150
S2 Series (SS type)	Sensor / transmitter with stainless steel explosion proof junction box (no display)	page 156
M2A Series	Stand alone sensor / transmitter with explosion proof junction box and digital display	page ???
T2A Series	2-Wire explosion proof transmitter, EC sensors, display	page 167
T3A Series	3-Wire explosion proof transmitter, CAT/IR/EC/PID sensors, display	page 170
VOC Pro	PID explosion proof transmitter, four PID sensor options, display	page 173

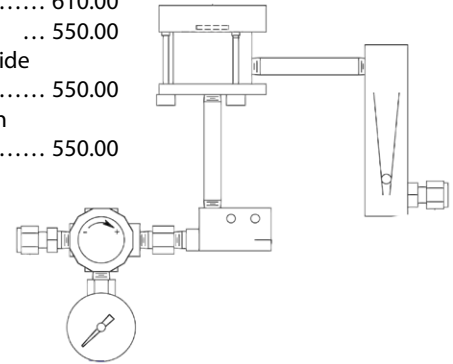
NOTE: Aspirator panels can be supplied inside a wall mounting NEMA 4X enclosure for an additional \$3,000.

Fixed Systems Specialty Products

Sample Adapters for Fixed Systems

Air Aspirator Sample Adapter

Part#	Description	Suggested Retail
30-0951-ST	Sample drawing adapter, aspirator for super toxic sensors (sensor sold separately)	950.00
30-0951RK	Sample drawing adapter with aspirator, LEL (sensor sold separately)	550.00
30-0951RK-H2S	Sample drawing adapter, air aspirated, for use with NPT style sensor for Hydrogen Sulfide (H2S) (sensor sold separately)	610.00
30-0951RK-IR	Sample drawing adapter, air aspirated for IR (sensor sold separately) ...	550.00
30-0951RK-O2/CO	Sample drawing adapter, air aspirated for Oxygen or Carbon Monoxide (sensor sold separately)	550.00
30-0960	Sample drawing adapter for T2A/T3A/VOC Pro/AirLink products with aspirator and brass fittings	550.00



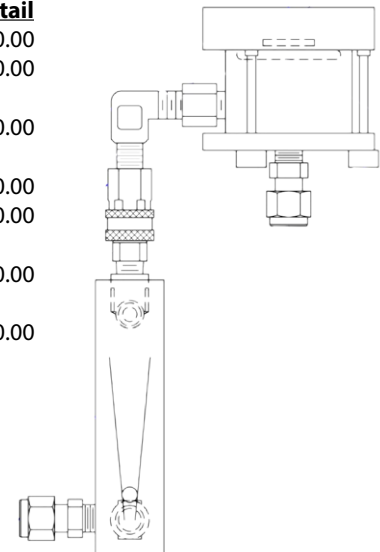
Flow Through Adapter Only

Part#	Description	Suggested Retail
30-0951-ST-01	Flow through adapter for super toxic sensors (Series 7), chamber and fittings only	520.00
30-0951RK-01	Flow through adapter, LEL, chamber and fittings only	180.00
30-0951RK-HS-01	Flow through adapter, H2S, chamber and fittings only	210.00
30-0951RK-IR-01	Flow through adapter, IR sensors, chamber and fittings only	180.00
30-0951RK-OC-01	Flow through adapter, O2/CO, chamber and fittings only	180.00
30-0960-01	Flow through adapter for T2A/T3A/VOC Pro/AirLink products with brass fittings only	180.00



Flow Through Adapter with Flow Meter

Part#	Description	Suggested Retail
30-0951RK-02	Flow through adapter, LEL, chamber with flow meter and fittings only ...	320.00
30-0951RK-HS-02	Flow through adapter, H2S, chamber, flow meter and fittings only	570.00
30-0951RK-IR-02	Flow through adapter, IR sensors, chamber with flow meter and fittings only	320.00
30-0951RK-IR-03	Flow through adapter, IR sensors, chamber with flow meter, and valve with fittings	360.00
30-0951RK-OC-02	Flow through adapter, O2/CO, chamber, flow meter and fittings only ...	320.00
30-0960-02	Flow through adapter for T2A/T3A/VOC Pro/AirLink products with flow meter and brass fittings	320.00
30-0960-03	Flow through adapter for T2A/T3A/VOC Pro/AirLink products with flow meter, valve, and brass fittings	360.00



Fixed Systems Specialty Products

Model 1017 Explosion Proof Sample Draw Direct Connect Sensor

<u>Part#</u>	<u>Description</u>	<u>Suggested Retail</u>
79-1017-02	Model 1017 explosion proof sample draw, without sensor/flow block	1,340.00
79-1017-03	Model 1017 explosion proof combustible sample draw, 0-100 % LEL with NC-6245 sensor	1,600.00
79-1017F-01	Model 1017 explosion proof oxygen sample draw	1,600.00
79-1017-07	Model 1017 explosion proof combustible sample draw, 0-100 %LEL with IR HC sensor	1,800.00



Fixed Systems Specialty Products Replacement Parts

Note: Confirm sensor number from printing on sensor being replaced.

<u>Part#</u>	<u>Description</u>	<u>Suggested Retail</u>
30-1016RK	Replacement pump for 35-3001/GD-K7D2/GD-K77D/1017, 24 VDC,with connectors & cable, RP-D24A-1	150.00
HW-6211	Sensor HW-6211, for SD-1GP, GD-A80, GD-A8/D8, Isobutane, H2	220.00
HW-6213	Sensor, HW-6213 for GD-A80, GD-A8, Methane	220.00
NC-6239	Sensor, LEL combustible (catalytic), NC-6239, plug-in	220.00
NC-6240A	Sensor, LEL or PPM combustible, for sample draw 35-3000	220.00
NC-6245	Sensor, Combustible 0-100% LEL for sample draw 35-3001, 35-3000, SD-1, and Model 1017	220.00
OS-B11	Sensor, Oxygen with cable and pigtail	195.00
OS-B11TF	Sensor, Oxygen (O2) 0 - 25%, OS-B11TF, with cable, pigtail, solvent resistant	210.00

Fixed Systems Specialty Products

Digester Gas Monitor

ORDERING INFORMATION: When ordering a Digester Gas Monitor please specify the following:

- 1) Select gas combination below specifying H2S ranges as 500 ppm, 1,000 ppm, 3,000 ppm, or 5,000 ppm.
- 2) For H2S ranges of 500 ppm, 3,000 or 5,000 ppm on 1, 2 or 3 gas versions, add -05K, -3K or -5K to the end of the part number.
- 3) For gas combinations not listed below, please consult the factory.
- 4) Prices below are only guidelines. Consult the factory for a quotation.



Note: Standard discounts do not apply to Digester products. All Digester quotations must come from the factory.

4 Gas Models

<u>Part#</u>	<u>Description</u>	<u>Suggested Retail</u>
72-2120-401	Digester gas monitor, 100% volume CH4 / 25% volume O2 / 50% volume CO2 / 1,000 ppm H2S 16,000.00
72-2120-401-05K	Digester gas monitor, 100% volume CH4 / 25% volume O2 / 50% volume CO2 / 500 ppm H2S 16,000.00
72-2120-401-3K	Digester gas monitor, 100% volume CH4 / 25% volume O2 / 50% volume CO2 / 3,000 ppm H2S 16,000.00
72-2120-401-5K	Digester gas monitor, 100% volume CH4 / 25% volume O2 / 50% volume CO2 / 5,000 ppm H2S 16,000.00

3 Gas Models

<u>Part#</u>	<u>Description</u>	<u>Suggested Retail</u>
72-2120-301	Digester gas monitor, 100% volume CH4 / 25% volume O2 / 1,000 ppm H2S 15,500.00
72-2120-302	Digester gas monitor, 100% volume CH4 / 25% volume O2 / 50% volume CO2 15,700.00
72-2120-303	Digester gas monitor, 100% volume CH4 / 50% volume CO2 / 1,000 ppm H2S 15,800.00
72-2120-304	Digester gas monitor, 25% volume O2 / 50% volume CO2 / 1,000 ppm H2S 15,500.00

2 Gas Models

<u>Part#</u>	<u>Description</u>	<u>Suggested Retail</u>
72-2120-201	Digester gas monitor, 100% volume CH4 / 25% volume O2 15,200.00
72-2120-202	Digester gas monitor, 100% volume CH4 / 1,000 ppm H2S 15,300.00
72-2120-203	Digester gas monitor, 100% volume CH4 / 50% volume CO2 15,500.00
72-2120-204	Digester gas monitor, 25% volume O2 / 1,000 ppm H2S 15,000.00
72-2120-205	Digester gas monitor, 25% volume O2 / 50% volume CO2 15,200.00

1 Gas Models

<u>Part#</u>	<u>Description</u>	<u>Suggested Retail</u>
72-2120-101	Digester gas monitor, 100% volume CH4 15,000.00
72-2120-102	Digester gas monitor, 25% volume O2 14,700.00
72-2120-103	Digester gas monitor, 1,000 ppm H2S 14,800.00
72-2120-104	Digester gas monitor, 50% volume CO2 15,000.00

Digester Calibration Kits

<u>Instrument #</u>	<u>Cal-Kit Part #</u>	<u>Cal-Kit Description</u>	<u>Price</u>
72-2120-103	81-2120-103-1K	Cal kit, Digester 101, 58AL cyl H2S 200 ppm in N2, demand flow regulator, case, and tubing	490.00
72-2120-401	81-2120-401-1K	Cal kit, Digester 401, 58L steel cyl CO2 40% vol / CH4 60% vol in N2, 58AL cyl H2S 200 ppm in N2, demand flow regulator, case, and tubing	585.00
	81-2120-401-5K	Cal kit, Digester 401, 58L steel cyl CO2 40% vol / CH4 60% vol in N2, 58AL cyl H2S 500 ppm in N2, demand flow regulator, case, and tubing	585.00

Fixed Systems Specialty Products

Digester Replacement Parts & Accessories

Part#	Description	Suggested Retail
31-0023RK	Flowmeter, 0.2 - 2.0 SCFH, stainless steel ftngs, with valve	120.00
31-0030RK	Flowmeter, 0.6 - 5 SCFH, stainless steel ftngs, 1/8 NPT, without valve	80.00
31-3002-01	Regulator, 1/4 NPT ports, 150 psi max input, 0-0.5 psi output with INCREASE label, Digester	960.00
32-0209RK	Solenoid Valve, 3-Way, multi-purpose, 1/8 NPT Female, 24 VDC, stainless steel	148.00
32-0210RK	Solenoid Valve, 2-Way, Normally Closed, 1/8 NPT Female, 24 VDC, stainless steel	220.00
32-0221-02	Solenoid Valve for Digester inlet, EPDM and polypropylene with label	600.00
32-0221-03	Solenoid Valve for Digester inlet, EPDM and polypropylene, retrofit kit to replace SS valve	620.00
33-0164RK	Filter, oil mist removal, Balston, 9900-05-BK, EAGLE / EAGLE 2 / marine	50.00
33-0167RK	Filter, particulate, CF-8369	25.00
33-0171RK	Filter replacement, AcroPak 300 with PTFE membrane, 0.2 um	200.00
33-0413RK	Filter, Water Trap, 5 micron element, Polycarbonate Bowl, Female 1/4"NPT	120.00
33-2100RK	Dryer, gas, w/12 inch long tube, polypropylene, Perma Pure MD-110-12P	560.00
51-0096RK-10	Adder, strobe / horn for Digester Gas Monitor	180.00
61-5040RK-05	Sensor, IR Carbon Dioxide (CO2) 0-50%, plug-in type, non-explosion proof	400.00
61-5041RK-CH4	Sensor, IR Methane (CH4) 0 - 100% vol, plug-in	400.00
65-2039RK	Sensor, Hydrogen Sulfide (H2S) 0-200 ppm / 1,000 ppm	520.00
75-0038	Standby battery, 12AH, with charger circuit added to Digester controller	495.00
OS-C11	Sensor, Oxygen with cable and pigtail, CO2 resistant	625.00

Paper Tape Monitors

ORDERING INFORMATION: When ordering a Paper Tape system please specify the following:

- 1) Paper tape machine (specify gas and range)
- 2) Replacement tape (specify gas and range)
- 3) Consult factory before selecting any paper tape monitor



Part#	Description	Suggested Retail
FP-300	Model FP-300 paper tape machine	5,300.00
FP-300A-BF3	Model FP-300 paper tape machine for Boron Trifluoride, 0 - 3 ppm	5,600.00
FP-300A-HBR	Model FP-300 paper tape machine for Hydrogen Bromine HBr, 0 - 2 ppm	5,600.00
FP-300AGZS	Model FP-300 paper tape machine for C4F6/C5F8, 0 - 5.00 ppm.....	8,600.00
FP-301-ASH3	Model FP-300 paper tape machine for Arsine AsH3, 0 - 15 ppb	5,600.00

Replacement Parts

65-FC-010	Tape FC-010 for Ammonia NH3, FP-300	170.00
65-FCL-001	Tape FCL-001 for Arsine AsH3, FP-300/-301	170.00
65-FCL-015	Tape FCL-015 for Chlorine Cl2, FP-300	170.00
30-1016RK	Replacement pump for 35-3001/GD-K7D2/GD-K77D/1017, 24 VDC, with connectors & cable, RP-D24A-1	150.00
33-0165RK	Filter, Millipore, PTFE, Disc type, hydrophobic, EAGLE, Fixed Systems.....	30.00
65-FC-303	Tape FC-303 for Chlorine Cl2, 0 - 0.5 ppm, FP-300	170.00
65-FCL-002	Tape FCL-002 for Silane SiH4, FP-300.....	170.00

Part#	Description	Suggested Retail
FP-330	Model FP-330 paper tape machine for formaldehyde	5,700.00

Replacement Parts

65-FCL-018	Tape FCL-018 for formaldehyde, for FP-330	130.00
------------	---	--------



Replacement Parts For Discontinued FP-260AGZS

Part#	Description	Suggested Retail
65-FV-017	Tape FV-017 for Hexafluorobutadiene C4F6 & C5F8.....	120.00
65-FVL-001	Tape FVL-001 for Cupra Select, Arsine AsH3, Phosphine PH3, Disilane SiH6, Hydrogen Sulfide H2S, Hydrogen Selenide H2Se	85.00
65-FVL-002	Tape FVL-002 for Silane SiH4, Diborane B2H6, Dimethylaluminum Hydride DMAH (C2H7AL), Cupra select	85.00
65-FVL-004	Tape FVL-004 for Hydrogen Chloride HCl	85.00
65-FVL-006	Tape FVL-006 for Hexafluoroacetylene Acetone Hhfac (CF3COCH2COCF3)	85.00
65-FVL-015	Tape FVL-015 for Ruthenium tetroxide RuO4, Chlorine Cl2	85.00
65-FVL-108	Tape FVL-108 for Phosgene COCl2	110.00

Fixed Systems Legacy Products

GD-K71D Replacement Sensors



Part#	Description	Suggested Retail
ESM-23-CO	Sensor, Carbon Monoxide (CO), 0-150 ppm, for GD-K88Ai, GD-K71D, GD-K77D, and SC-8000	480.00
ESM-238-SO2	Sensor, Sulfur Dioxide (SO2), 0-6 ppm, for GD-K71D, GD-K77D, and SC-8000	480.00
ESM-23AH-NO2	Sensor, Nitrogen Dioxide (NO2), 0-15 ppm, for GD-K88Ai, GD-K71D, GD-K77D, and SC-8000	480.00
ESM-23AH-PH3	Sensor, Phosphine (PH3), 0-1 ppm, for GD-K88Ai, GD-K71D, GD-K77D, and SC-8000	480.00
ESM-23AH-SiH4	Sensor, Silane (SiH4), 0-15 ppm, low H2 response, for GD-K88Ai, GD-K71D, GD-K77D, and SC-8000	480.00
ESM-23AHS-ASH3	Sensor, Arsine (AsH3), 0-0.2 ppm, for GD-K88Ai, GD-K71D, GD-K77D, and SC-8000	480.00
ESM-23AY-B2H6	Sensor, Diborane (B2H6), 0-0.3 ppm, for GD-K88Ai, GD-K71D, GD-K77D, and SC-8000	480.00
ESM-23DH-GEH4	Sensor, Germane (GeH4), 0-0.8 ppm, for GD-K88Ai, GD-K71D, GD-K77D, and SC-8000	480.00
ESM-23DH-HCN	Sensor, Hydrogen Cyanide (HCN), 0-15 ppm, for GD-K88Ai, GD-K71D, GD-K77D, and SC-8000	480.00
ESM-23DH-MS	Sensor, Methyl Silane (CH3SiH3), 0-20 ppm, for GD-K88Ai, GD-K71D, GD-K77D, and SC-8000	480.00
ESM-23DH-Si2H6	Sensor, Disilane (Si2H6), 0-15 ppm, for GD-K88Ai, GD-K71D, GD-K77D, and SC-8000	480.00
ESM-23DH-SiH4	Sensor, Silane (SiH4), 0-15 ppm, for GD-K88Ai, GD-K71D, GD-K77D, and SC-8000, with H2 response	480.00
ESM-23E-HBR	Sensor, Hydrogen Bromide (HBr), 0-9 ppm, for GD-K88Ai, GD-K71D or GD-K77D	480.00
ESM-23E-HCL	Sensor, Hydrogen Chloride (HCl), 0-15 ppm, (with H2 response) for GD-K88Ai, GD-K71D, GD-K77D, and SC-8000	480.00
ESM-23E-SO2	Sensor, Sulfur Dioxide (SO2), 0-30 ppm, for GD-K88Ai, GD-K71D, GD-K77D, and SC-8000.....	480.00
ESM-23R-NH3	Sensor, Ammonia (NH3), 0-75 ppm, for GD-K88Ai, GD-K71D, GD-K77D, and SC-8000	480.00
ESM-23RH-NH3	Sensor, Ammonia (NH3), 0-75 ppm, for GD-K88Ai, GD-K71D, GD-K77D, and SC-8000, high humidity use	480.00
ESM-K233-CL2	Sensor, Chlorine (Cl2), 0-3 ppm, for GD-K88Ai, GD-K71D, GD-K77D, and SC-8000	480.00
ESM-K233-F2	Sensor, Fluorine (F2), 0-3 ppm, for GD-K88Ai, GD-K71D, GD-K77D, and SC-8000	480.00
ESM-K233-HCL	Sensor, Hydrogen Chloride (HCl), 0-15 ppm, for GD-K88Ai, GD-K71D, GD-K77D, and SC-8000	480.00
ESM-K233-HF	Sensor, Hydrogen Fluoride (HF), 0-9 ppm, for GD-K88Ai, GD-K71D, GD-K77D, and SC-8000	480.00
ESM-K233CS-CLFC	Sensor, Chlorine Trifluoride (ClF3), 0-0.6 ppm, for GD-K88Ai, GD-K71D, GD-K77D, and SC-8000 (no acid gas sensitivity)	480.00
ESM-K239C-O3	Sensor, Ozone (O3), 0-1.0 ppm, for GD-K88Ai, GD-K71D, GD-K77D, and SC-8000	480.00

GD-K71D Replacement Parts

Part#	Description	Suggested Retail
30-1018RK	Pump replacement for GD-K71D, 24 VAC, RP-D24S	120.00
33-0165RK	Filter, Millipore, PTFE, Disc type, hydrophobic, EAGLE, Fixed Systems	30.00
49-1410RK	Lithium battery pack, 3.6V, replacement for GD-K7D2 & GD-K77D	20.00

Fixed Systems Legacy Products

GD-K8A Replacement Sensors



<u>Part#</u>	<u>Description</u>	<u>Suggested Retail</u>
ES-23-CO	Sensor, Carbon Monoxide (CO), large, 0 - 150 ppm range	465.00
ES-237-H2S	Sensor, Hydrogen Sulfide (H2S), 0 - 30 ppm range	465.00
ES-238-SO2	Sensor, Sulfur Dioxide (SO2), new style, 0 - 10 ppm (or 0 - 6 ppm) range	465.00
ES-23A-NO	Sensor, Nitric Oxide (NO) 0 - 100 ppm range	465.00
ES-23AH-B2H6	Sensor, Diborane (B2H6) 0 - 30 ppm range	465.00
ES-23AH-H2S	Sensor, Hydrogen Sulfide (H2S), 0 - 1.00 ppm range	465.00
ES-23AH-NO2	Sensor, Nitrogen Dioxide (NO2) 0 - 15 ppm range	465.00
ES-23AH-O3	Sensor, Ozone (O3) 0 - 5.00 ppm range (old style)	465.00
ES-23AH-PH3	Sensor, Phosphine (PH3) 0 - 1.00 ppm range (no H2 response)	465.00
ES-23AH-SiH4	Sensor, Silane (SiH4) 0 - 15 ppm range, old style (no H2 response)	465.00
ES-23AHS-ASH3	Sensor, Arsine (AsH3) 0 - 0.20 ppm range or 0 - 1.00 ppm range	465.00
ES-23AY-B2H6	Sensor, Diborane (B2H6) 0 - 0.30 ppm range	465.00
ES-23DH-H2O2	Sensor, Hydrogen Peroxide (H2O2), 0-3 PPM, GD-K8	465.00
ES-23DH-HCN	Sensor, Hydrogen Cyanide (HCN) 0 - 30 ppm range	465.00
ES-23DH-PH3	Sensor, Phosphine (PH3) 0 - 1.00 ppm, GD-K8 (with H2 response)	465.00
ES-23DH-SiH4	Sensor, Silane (SiH4) 0 - 15 ppm range, new style (with H2 response)	465.00
ES-23E-HBR	Sensor, Hydrogen Bromide (HBr) 0 - 9.00 ppm range	465.00
ES-23E-HCL	Sensor, Hydrogen Chloride (HCl), 0 - 15 ppm range, (no Cl2 response)	465.00
ES-23E-HI	Sensor, Hydrogen Iodide (HI), 0-5 ppm	465.00
ES-23E-SO2	Sensor, Sulfur Dioxide (SO2) 0 - 30 ppm range (or 0 - 15 ppm range)	465.00
ES-23R-NH3	Sensor, Ammonia (NH3), (new style) 0 - 75 ppm range for GD-K8, (0 - 200 ppm for Eagle)	465.00
ES-23RV-BTBAS	Sensor, BTBAS, 0 - 15 ppm	465.00
ES-K233-BR2	Sensor, Bromine (Br2) 0 - 1.00 ppm range	465.00
ES-K233-CL2	Sensor, Chlorine (Cl2) 0 - 3.00 ppm range (Family acid gas sensor)	465.00
ES-K233-F2	Sensor, Fluorine (F2) 0 - 3.00 ppm range	465.00
ES-K233-HF	Sensor, Hydrogen Fluoride (HF) 0 - 9.00 ppm range	465.00
ES-K239C-O3	Sensor, Ozone (O3) 0-1 ppm, new style, replaces ES-K239-O3	465.00
ESM-23SD-H2SE	Sensor, Hydrogen Selenide (H2Se), 0-0.20 ppm, for GD-K8A	480.00

GD-K8A Replacement Parts

Accessories

<u>Part#</u>	<u>Description</u>	<u>Suggested Retail</u>
21-0401	Housing, polycarbonate with clear cover for up to 4 MTL5500 series barriers	400.00
21-0402	Housing, polyester with clear cover for up to 10 MTL5500 series barriers	1,440.00
43-7013	IS Barrier, isolator, 2- or 3-wire 4-20 mA transmitter or HART, MTL5541	1,500.00

Notes

- The following gases can be detected with the GD-K8A, however a sample drawing system is recommended: BCl3, HBr, HCl, HCN, and O3.

Fixed Systems Legacy Products

S- Series Diffusion Sensor / Transmitter

ORDERING INFORMATION: All S-Series pricing includes the sensor and explosion proof housing.



Part#	Description	Suggested Retail
65-2400RK	S-Series LEL sensor (catalytic) / transmitter with explosion proof j-box, UL version	900.00
65-2400RK-05	S-Series LEL sensor (catalytic) / transmitter with explosion proof j-box, CSA version	950.00
65-2450RK	S-Series LEL Hydrogen (H2) specific sensor / transmitter with explosion proof j-box, UL version	1,050.00
65-2450RK-05	S-Series LEL Hydrogen (H2) specific sensor / transmitter with explosion proof j-box, CSA version	1,100.00
65-2390RK-CH4	S-Series Methane (CH4) 0-100% LEL, IR sensor / transmitter with j-box, UL version	1,150.00
65-2390RK-HC	S-Series Hydrocarbon (isobutane) 0-100% LEL, IR sensor / transmitter with j-box, UL version	1,150.00
65-2435RK	Sensor, Carbon Monoxide (CO), H2 compensated, S Series sensor / transmitter, with j-box).....	1,600.00
65-2516RK	S-Series Oxygen (O2) sensor (capillary type) / transmitter, explosion proof with conduit mounting j-box, CSA version.....	890.00
65-2422RK-05	S-Series Hydrogen Sulfide (H2S) sensor / transmitter with explosion proof j-box, CSA version	1,075.00
65-2432RK-05	S-Series Carbon Monoxide (CO) sensor / transmitter with j-box, CSA version	1,075.00

Replacement Sensors For S - Series

61-0140RK-05	Sensor, LEL combustible (catalytic), direct connection (no transmitter, no j-box), cCSAus version	320.00
61-0140RK	Sensor, LEL combustible (catalytic), direct connection (no transmitter, no j-box), UL version	280.00
NC-6205-01	Sensor, LEL Hydrogen (H2) specific, 1/2 NPT, with guard and silicone resistance, UL version, (no transmitter, no j-box)	400.00
NC-6205-05	Sensor, LEL Hydrogen (H2) specific, explosion proof direct connection, with silicone resistance, cCSAus version, (no transmitter, no j-box)	450.00
ES-1537-H2S	Sensor, Hydrogen Sulfide (H2S) 0 - 100 ppm, plug-in type, CT-7 style, cCSAus version	195.00
65-1025RK	Sensor, Oxygen (O2) 0 - 25%, capillary type, plug-in replacement for O2 assembly (65-2514RK & 65-2497RK)	140.00
65-2510RK	Sensor, Oxygen (O2) 0 -25%, non explosion proof direct connect, partial pressure type (no transmitter, no j-box)	270.00
65-2009RK	Sensor, Carbon Monoxide (CO) sensor, H2 compensated, EAGLE	580.00
ES-1531-CO	Sensor, Carbon Monoxide (CO) 0 - 300 ppm, plug-in type, CT-7 style, cCSAus version	195.00
61-0160RK	Sensor, Hydrogen (H2) 0-2,000 ppm, MOS, 1/2 NPT, UL version	400.00

Fixed Systems Legacy Products

M2 & M2A Replacement Sensors For Explosion Proof



Part#	Description	Suggested Retail
61-0140RK	Sensor, LEL combustible (catalytic), direct connection (no transmitter, no j-box), UL version	280.00
61-0140RK-05	Sensor, LEL combustible (catalytic), direct connection (no transmitter, no j-box), cCSAus version	320.00
61-0190RK-CH4	Sensor, Methane (CH4) 0 - 100% LEL, IR, explosion proof direct connection, 3/4" NPT nipple (no transmitter, no j-box), cULus version	740.00
61-5039RK-CH4	Sensor, Methane (CH4) 0-100% LEL, IR, plug-in style	400.00
61-0192RK-CH4	Sensor, Methane (CH4) 0 - 100% volume, IR, explosion proof direct connection, 3/4" NPT nipple (no transmitter, no j-box), cULus version	740.00
61-0190RK-HC	Sensor, Hydrocarbon (HC) 0 - 100% LEL, IR, isobutane standard calibration, explosion proof direct connection, 3/4" NPT nipple (no transmitter, no j-box), cULus version	740.00
61-5039RK-HC	Sensor, Hydrocarbon (HC) 0-100% LEL, IR, plug-in style	400.00
NC-6205-01	Sensor, LEL Hydrogen (H2) specific, 1/2 NPT, with guard and silicone resistance, UL version, (no transmitter, no j-box)	400.00
NC-6205-05	Sensor, LEL Hydrogen (H2) specific, explosion proof direct connection, with silicone resistance, cCSAus version, (no transmitter, no j-box)	450.00
61-0160RK	Sensor, Hydrogen (H2) 0-2,000 ppm, MOS, 1/2 NPT, UL version	400.00
TE-7550-H2-L-01	Sensor, Hydrogen (H2) 0-10% volume, thermal conductivity, 1/2 NPT with guard, UL version	750.00
TE-7550-H2-L-02	Sensor, Hydrogen (H2) 0-10% volume, thermal conductivity, 1/2 NPT without guard, UL version	750.00
65-1025RK	Sensor, Oxygen (O2) 0 - 25%, capillary type, plug-in replacement for O2 assembly (65-2514RK & 65-2497RK)	140.00
ES-1531-CO	Sensor, Carbon Monoxide (CO) 0 - 300 ppm, plug-in type, CT-7 style, cCSAus version	195.00
ES-1537-H2S	Sensor, Hydrogen Sulfide (H2S) 0 - 100 ppm, plug-in type, CT-7 style, cCSAus version	195.00
65-2049-01	Sensor, Hydrogen Cyanide (HCN), 0 - 15 ppm, CT-7 style, explosion proof and non explosion proof	450.00
61-0191RK-02	Sensor, Carbon Dioxide (CO2) 0 - 5,000 ppm, IR, explosion proof direct connection (no transmitter, no j-box), cULus version	740.00
61-0191RK-03	Sensor, Carbon Dioxide (CO2) 0 - 5%, IR, explosion proof direct connection (no transmitter, no j-box), cULus version	740.00
61-0191RK-05	Sensor, Carbon Dioxide (CO2) 0 - 50%, IR, explosion proof direct connection (no transmitter, no j-box), cULus version	740.00
61-0191RK-10	Sensor, Carbon Dioxide (CO2) 0 - 100%, IR, explosion proof direct connection (no transmitter, no j-box), cULus version	740.00

M2 & M2A Replacement Sensors For Non Explosion Proof

Part#	Description	Suggested Retail
65-1025RK	Sensor, Oxygen (O2) 0 - 25%, capillary type, plug-in replacement for O2 assembly (65-2514RK & 65-2497RK)	140.00
65-2510RK	Sensor, Oxygen (O2) 0 -25%, non explosion proof direct connect, partial pressure type (no transmitter, no j-box)	270.00
ES-1537-H2S	Sensor, Hydrogen Sulfide (H2S) 0 - 100 ppm, plug-in type, CT-7 style, cCSAus version	195.00
ES-1531-CO	Sensor, Carbon Monoxide (CO) 0 - 300 ppm, plug-in type, CT-7 style, cCSAus version	195.00
61-5040RK-02	Sensor, IR Carbon Dioxide (CO2) 0-5,000 ppm, plug-in type, non-explosion proof	400.00
61-5040RK-03	Sensor, IR Carbon Dioxide (CO2) 0-5%, plug-in type, non-explosion proof.....	400.00
61-5040RK-05	Sensor, IR Carbon Dioxide (CO2) 0-50%, plug-in type, non-explosion proof	400.00
61-5040RK-10	Sensor, IR Carbon Dioxide (CO2) 0-100%, plug-in type, non-explosion proof.....	400.00

M2 & M2A Replacement ESM-01 Toxic Sensors

Part#	Description	Suggested Retail
ESM-01R-D-NH3	Sensor, Ammonia (NH3), 0 - 75 ppm, ESM-01 plug-in type, for diffusion instruments	195.00
ESM-01DH-ASH3	Sensor, Arsine (AsH3), 0 - 1.50 ppm, ESM-01 plug-in type	195.00
ESM-01DH-D-HCN	Sensor, Hydrogen Cyanide (HCN), 0 - 15 ppm, ESM-01 plug-in type	195.00
ESM-01DH-PH3	Sensor, Phosphine (PH3), 0 - 1.0 ppm, ESM-01 plug-in type	195.00
ESM-K01-D-CL2	Sensor, Chlorine (Cl2), 0 - 3 ppm, ESM-01 plug-in diffusion type.....	195.00
ESM-01DH-D-SO2	Sensor, Sulfur Dioxide (SO2), 0 - 6 ppm, ESM-01 plug-in type	195.00

Fixed Systems Legacy Products

OX-500 & EC-500 Replacement Sensors

<u>Part#</u>	<u>Description</u>	<u>Suggested Retail</u>
ES-1531-CO	Sensor, Carbon Monoxide (CO) 0 - 300 ppm, plug-in type, CT-7 style, cCSAus version	195.00
OS-B11	Sensor, Oxygen with cable and pigtail	195.00

35-3000 Series Replacement Sensors

<u>Part#</u>	<u>Description</u>	<u>Suggested Retail</u>
61-0155RK	Sensor, LEL H2 only, plug-in, (NC-6244) for EAGLE 2, 35-3001, 35-3000, GD-A8/D8	250.00
61-0165RK	Sensor, Hydrogen (H2), 0-2000 ppm, SG-8541, plug-in	420.00
61-5039RK-CH4	Sensor, Methane (CH4) 0-100% LEL, IR, plug-in style	400.00
61-5039RK-HC	Sensor, Hydrocarbon (HC) 0-100% LEL, IR, plug-in style	400.00
61-5040RK-02	Sensor, IR Carbon Dioxide (CO2) 0-5,000 ppm, plug-in type, non-explosion proof	400.00
61-5040RK-03	Sensor, IR Carbon Dioxide (CO2) 0-5%, plug-in type, non-explosion proof	400.00
61-5040RK-05	Sensor, IR Carbon Dioxide (CO2) 0-50%, plug-in type, non-explosion proof	400.00
61-5040RK-10	Sensor, IR Carbon Dioxide (CO2) 0-100%, plug-in type, non-explosion proof.....	400.00
61-5041RK-CH4	Sensor, IR Methane (CH4) 0 - 100% vol, plug-in	400.00
65-0601RK	Sensor, Oxygen (O2) (OS-B3), for EAGLE, EAGLE 2, or RX-415	160.00
65-2007RK	Sensor, Carbon Monoxide (CO), ES-81 type with connector for 35-3000RK	200.00
65-2037RK	Sensor, Hydrogen Sulfide (H2S), ES-87 type with connector for 35-3000RK	200.00
ES-1531-CO	Sensor, Carbon Monoxide (CO) 0 - 300 ppm, plug-in type, CT-7 style, cCSAus version	195.00
ES-1537-H2S	Sensor, Hydrogen Sulfide (H2S) 0 - 100 ppm, plug-in type, CT-7 style, cCSAus version	195.00
NC-6245	Sensor, Combustible 0-100% LEL for sample draw 35-3001, 35-3000, SD-1, and Model 1017	220.00



Fixed Systems Sensors & Transmitters

Lights, Strobes, and Horns - Non Hazardous Locations

Lights, Strobes, or Horns Only

<u>Part#</u>	<u>Description</u>	<u>Suggested Retail</u>
51-0053RK	Rotating alarm light, green, 115 VAC, Federal Signal 225-120V-G	695.00
51-0054RK	Rotating alarm light, amber, 115 VAC, Federal Signal 225-120V-A	695.00
51-0055RK	Rotating alarm light, red, 115 VAC, Federal Signal 225-120V-R	695.00
51-0056RK	Rotating alarm light, blue, 115 VAC, Federal Signal 225-120-B	695.00
52-0003RK	Horn, 115 VAC, vibratory, NEMA 4X, Edward's 876-N5	400.00
52-0004RK	Horn, 24 VDC, vibrating, Federal 450-24 VDC	495.00
51-0098-01-AMB	Strobe, red housing, with amber lens cover, 96 to 132 VAC, NEMA 3R, SpectraAlert	265.00
51-0098-01-RED	Strobe, red housing, with red lens cover, 96 to 132 VAC, NEMA 3R, SpectraAlert	265.00
51-0098-AMB	Strobe, red housing, with amber lens cover, 8 to 33 VDC, NEMA 4X, SpectraAlert	180.00
51-0098-RED	Strobe, red housing, with red lens cover, 8 to 33 VDC, NEMA 4X, SpectraAlert	180.00
51-0100	Strobe, white housing, with clear lens, 8 to 33 VDC, high candela, NEMA 4X, SpectraAlert	170.00
51-0100-01	Strobe, white housing, with clear lens, 96-132 VAC, high candela, NEMA 3R, SpectraAlert	260.00
51-0100-AMB	Strobe, white housing, with amber lens cover, 8 to 33 VDC, NEMA 4X, SpectraAlert	200.00
51-0200	Strobe, red housing with red lens, 12-80 VDC, flush mount, IP-66 / IP-67	140.00
51-0170	Strobe, amber, low profile, 12-48 VDC in, Federal Signal Streamline LP3S-012/048A	365.00
51-0171	Strobe, blue, low profile, 12-48 VDC in, Federal Signal Streamline LP3S-012/048B	365.00
51-0174	Strobe, red, low profile, 12-48 VDC in, Federal Signal Streamline LP3S-012/048R	365.00
51-0001-RED	Strobe light, Red, 24VDC, Nema 4X, Ingram SBN1224ADR	200.00
51-0001-AMB	Strobe light, Amber, 24VDC, Nema 4X, Ingram SBN1224ADA	200.00
51-0001-BLU	Strobe light, Blue, 24VDC, Nema 4X, Ingram SBN1224ADB	200.00
51-0198D-RED	Strobe light, Red, 12-24 VDC, NEMA 4X, Federal Signal SLM350R, with deep base.....	340.00
51-0198D-GRN	Strobe light, Green, 12-24 VDC, NEMA 4X, Federal Signal SLM350R, with deep base.....	340.00
51-0202T-RED	Strobe with horn, Red, 12-24 VAC/VDC, 1/2 NPT tube mount, Werma EvoSignal, IP66	400.00



51-0053RK / 51-0054RK / 51-0055RK



51-0098RK-01-AMB 51-0098RK-01-RED



51-0100-AMB



52-0003RK / 52-0004RK

Lights/Strobes with Horns - 2 Wire (strobe and horn wired together)

<u>Part#</u>	<u>Description</u>	<u>Suggested Retail</u>
51-0090RK	Flashing alarm light with horn, red, 115 VAC, 40 watt lamp, Edwards 51R-N5-40W	700.00
51-0090RK-24	Flashing alarm light with horn, red, 24 VDC, 40 watt lamp, Edwards 51R-G1	800.00
51-0091RK	Flashing alarm light with horn, blue, 115 VAC, 40 watt lamp, Edwards 51B-N5-40W	700.00
51-0091RK-24	Flashing alarm light with horn, blue, 24 VDC, 24 watt lamp, Edwards 51B-G1	800.00
51-0092RK	Flashing alarm light with horn, amber, 115 VAC, 40 watt lamp, Edwards 51A-N5-40W	700.00
51-0092RK-24	Flashing alarm light with horn, amber, 24 VDC, 24 watt lamp, Edwards 51A-G1	800.00
51-0093RK-AMB	Strobe with horn, red housing, 120 VAC, NEMA 4X, SpectraAlert, with amber lens cover	340.00
51-0093RK-BLU	Strobe with horn, red housing, 120 VAC, NEMA 4X, SpectraAlert, with blue lens cover	340.00
51-0093RK-RED	Strobe with horn, red housing, 120 VAC, NEMA 4X, SpectraAlert, with red lens cover	340.00
51-0096RK-AMB	Strobe with horn, red housing, 8 to 33 VDC, NEMA 4X, SpectraAlert, with amber lens cover	250.00
51-0096RK-BLU	Strobe with horn, red housing, 8 to 33 VDC, NEMA 4X, SpectraAlert, with blue lens cover	250.00
51-0096RK-RED	Strobe with horn, red housing, 8 to 33 VDC, NEMA 4X, SpectraAlert, with red lens cover	250.00
51-0099RK	Strobe light with horn, white housing, no markings, 8 to 33 VDC, NEMA 4X, SpectraAlert, with clear lens cover	275.00



51-0090RK / 51-0091RK / 51-0092RK



51-0093RK-AMB / 51-0093RK-BLU / 51-0093RK-RED
51-0096RK-AMB / 51-0096RK-BLU / 51-0096RK-RED

Fixed Systems Accessories

Lights/Strobes with Horns - 4 Wire (strobe and horn wired separately)

Part#	Description	Suggested Retail
51-0102-AMB	Horn with strobe, standard brightness, white housing, NEMA 3R, 4-wire, 16 to 33 VDC, amber lens, SpectraAlert	240.00
51-0102-RED	Horn with strobe, standard brightness, white housing, NEMA 3R, 4-wire, 16 to 33 VDC, red lens, SpectraAlert	240.00
51-0105	Horn with strobe, red housing, 8 to 33 VDC, NEMA 4X, SpectraAlert, 4 wire.....	220.00
51-0105-RED	Horn with strobe, red housing, 8 to 33 VDC, NEMA 4X, SpectraAlert, 4 wire, with red lens cover	250.00
51-0131-BLU	Horn with strobe, outdoor, panel mounting, 120 VAC, 4 wire, blue lens, Edwards 868STRB-N5	850.00
51-0131-RED	Horn with strobe, outdoor, panel mounting, 120 VAC, 4 wire, red lens, Edwards 868STRR-N5	850.00
51-0131-AMB	Horn with strobe, outdoor, panel mounting, 120 VAC, 4 wire, amber lens, Edwards 868STRA-N5.....	850.00
51-0131-AMB-24	Horn with strobe, outdoor, panel mounting, 24 VDC, 24 watt lamp, 4 wire, amber lens, Edwards 868STRA-N5	620.00
51-0131-BLU-24	Horn with strobe, outdoor, panel mounting, 24 VDC, 24 watt lamp, 4 wire, blue lens, Edwards 868STRA-N5	620.00
51-0131-RED-24	Horn with strobe, outdoor, panel mounting, 24 VDC, 24 watt lamp, 4 wire, red lens, Edwards 868STRA-N5	620.00



51-0131-AMB / 51-0131-BLU



51-0102-AMB / 51-0102-RED

Lights/Strobes and Horns - Hazardous Locations (Class I, Div 2)

Part#	Description	Suggested Retail
52-0005RK	Horn, 115 VAC, Federal Signal 350-WBX, for hazardous locations, Class I Div 2	1,000.00
51-0030RK-01	Strobe light, red, 115 VAC, Edwards 105FINHR-N5, for hazardous locations, Class I Div 2, with pipe mounting base	700.00
51-0031RK-01	Strobe light, red, 12 - 48 VDC, Edwards 105HISTR-EK, for Class I Div 2, with pipe mounting base	1,120.00
51-0035RK-01	Strobe light, amber, 115 VAC, Edwards 105FINHA-N5, for Class I Div 2, with pipe mounting base.....	700.00



52-0005RK
Horn (Class I, Div 2)



51-0035RK-01
Strobe light, amber (Class I, Div 2)



51-0030RK-01
Strobe light, red (Class I, Div 2)

Lights/Strobes and Horns - Hazardous Locations (Class I, Div 1)

Part#	Description	Suggested Retail
52-0006RK	Vibrating horn, explosion proof for Class 1, Div. I, groups E,F,G, 120 VAC, Federal Signal 31X-120-3	1,980.00
51-0125	Strobe, explosion proof for Class I, Div I, Groups C & D, NEMA 4X, 120 VAC, red lens, pendant mounting, Federal 27XST-120R	3,900.00
51-0040-RED	Horn and Xenon strobe combo, red, explosion proof, Class I, Division 1, Zone 1, 24 VDC	6,000.00



51-0040-RED



51-0125



52-0006RK

Fixed Systems Accessories

Stacked Lights and Horn

<u>Part#</u>	<u>Description</u>	<u>Suggested Retail</u>
51-0166	Stack light / horn, 115 VAC, red/amber/green, steady, outdoor, Signaworks S370B-110-RAG-RI1	740.00
51-0210	Stack light, 24 VDC, red/green, steady, IP65, Patlite LR7-202WJNW-RG	230.00
51-0214	Stack light / horn, 24 VDC, red/amber/flashing, steady, IP65, Patlite LR6-202WJBW-RY	320.00
51-0215	Stack light / horn, 24 VDC, red/blue/flashing, steady, IP65, Patlite LR6-202WJBW-RB	320.00



51-0166



51-0210



51-0214



51-0215

E-mail / Text Generator

<u>Part#</u>	<u>Description</u>	<u>Suggested Retail</u>
82-5202	NEMA 4X housing for one or two Proteus (email generator, housing only, no modules included)	360.00
82-5202-01	E-mail / Text generator in NEMA 4X housing, with ability to accept 1 contact closure, 100 - 240 VAC input	560.00
82-5202-02	E-mail / Text generator in NEMA 4X housing, with ability to accept 2 contact closures, 100 - 240 VAC input.....	760.00
82-5202-11	E-mail / Text generator in NEMA 4X housing, with ability to accept 1 contact closure, 5 VDC input with AC adapter	640.00
82-5202-12	E-mail / Text generator in NEMA 4X housing, with ability to accept 2 contact closures, 5 VDC input with AC adapter	840.00

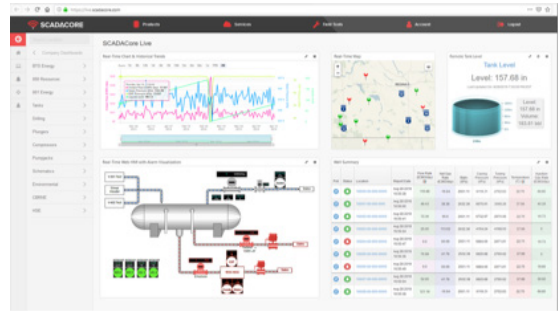


E-Stop

<u>Part#</u>	<u>Description</u>	<u>Suggested Retail</u>
82-5220	ESTOP emergency shut off with relay contacts for solenoid valve control, 24 VDC power input	900.00
82-5221	ESTOP emergency shut off with relay contacts for solenoid valve control, 115 VAC power input	960.00
82-5222	ESTOP emergency shut off with air pressure control for solenoid valve, 24 VDC input	1,500.00
82-5223	ESTOP emergency shut off with air pressure control for solenoid valve, 115 VAC input	1,560.00



Fixed Systems Telemetry



Hardware			Subscriptions		
Part #	Description	List	Part #	Description	List
85-VCA8	1-4 sensors, 4-20 mA output	1,830.00	85-S-GOLD	Telemetry subscription: 1-8 sensors with 4-20 mA output, or 1-12 sensors with Modbus output, per year	1,475.00
	5-8 sensors, 4-20 mA output				
85-VCA16	8-16 sensors, 4-20 mA output	2,000.00	85-S-GOLD-PLUS	Telemetry subscription: 1-32 sensors with 4-20 mA output, or 1-32 sensors with Modbus output, per year	2,770.00
85-VCA32	16-32 sensors, 4-20 mA output	7,200.00	85-S-PLATINUM	Telemetry subscription: 1-100 sensors with Modbus output, per year	4,615.00
85-VCM	1-12 sensors, Modbus output (2 registries per sensor)	1,500.00	85-S-GOLD	Telemetry subscription: 1-8 sensors with 4-20 mA output, or 1-12 sensors with Modbus output, per year	1,475.00
	12-32 sensors, Modbus output (2 registries per sensors)		85-S-GOLD-PLUS	Telemetry subscription: 1-32 sensors with 4-20 mA output, or 1-32 sensors with Modbus output, per year	2,770.00
	32-64 sensors, Modbus output (2 registries per sensors)		85-S-PLATINUM	Telemetry subscription: 1-100 sensors with Modbus output, per year	4,615.00
	64-100 sensors, Modbus output (2 registries per sensors)				

Fixed Systems Accessories

Fixed Systems Replacement Parts and Accessories

Part#	Description	Suggested Retail
02-1008-01	Finned tubing, 2', for cooling sample lines, with 1/4" tube fittings	270.00
06-1248RK	Tubing, polyurethane, 3/16" ID x 5/16" OD, per foot	2.00
06-1251RK	Tubing, polyurethane, 1/4" ID x 3/8" OD, per foot	2.00
17-2500RK-01	Nut/ferrule/4x6 tube for GD-70D fitting	5.00
18-0350RK	Duct mounting adapter with 1/2" NPT thread	16.00
18-0351RK	Duct mounting adapter with 3/4" NPT thread	28.00
18-0400RK-01	Junction box, with spacers (Aluminum)	110.00
18-0400RK-02	Junction box, with spacers (Aluminum) and terminal strip	100.00
21-0519RK	Rain proof housing for GD-K8A	480.00
29-5500	Tag set, 2.50 x 1.00 tag size with mounting holes, 316 SS, tag quantity and characters defined by P.O. ...	20.00
30-0951-ST-01	Flow through adapter for super toxic sensors (Series 7), chamber and fittings only	520.00
30-0951RK	Sample drawing adapter with aspirator, LEL (sensor sold separately)	550.00
30-0951RK-01	Flow through adapter, LEL, chamber and fittings only	180.00
30-0951RK-02	Flow through adapter, LEL, chamber with flow meter and fittings only	320.00
30-0951RK-03	Flow through adapter, LEL, chamber with flow meter, valve and tube fittings	360.00
30-0951RK-H2S	Sample drawing adapter, air aspirated, for use with NPT style sensor for Hydrogen Sulfide (H2S) (sensor sold separately)	610.00
30-0951RK-HS-01	Flow through adapter, H2S, chamber and fittings only	210.00
30-0951RK-HS-02	Flow through adapter, H2S, chamber, flow meter and fittings only	570.00
30-0951RK-IR	Sample drawing adapter, air aspirated for IR (sensor sold separately)	550.00
30-0951RK-IR-01	Flow through adapter, IR sensors, chamber and fittings only	180.00
30-0951RK-IR-02	Flow through adapter, IR sensors, chamber with flow meter and fittings only	320.00
30-0951RK-IR-03	Flow through adapter, IR sensors, chamber with flow meter, and valve with fittings	360.00
30-0951RK-O2/CO	Sample drawing adapter, air aspirated for Oxygen or Carbon Monoxide (sensor sold separately)	550.00
30-0951RK-OC-01	Flow through adapter, O2/CO, chamber and fittings only	180.00
30-0951RK-OC-02	Flow through adapter, O2/CO, chamber, flow meter and fittings only	320.00
30-0960	Sample drawing adapter for T2A/T3A/VOC Pro/AirLink products with aspirator and brass fittings	550.00
30-0960-01	Flow through adapter for T2A/T3A/VOC Pro/AirLink products with brass fittings only	180.00
30-0960-02	Flow through adapter for T2A/T3A/VOC Pro/AirLink products with flow meter and brass fittings	320.00
30-0960-03	Flow through adapter for T2A/T3A/VOC Pro/AirLink products with flow meter, valve, and brass fittings...	360.00
33-0165RK	Filter, Millipore, PTFE, Disc type, hydrophobic, EAGLE, Fixed Systems	30.00
33-0401RK	Water Trap assembly with J - tube	620.00
33-0413RK	Filter, Water Trap, 5 micron element, Polycarbonate Bowl, Female 1/4"NPT	120.00
33-2001RK-01	Humidifier, 6" tube assembly for cal kits with 3/16" tubing on ends	130.00
33-2002RK-01	Humidifier, 24" for cal kits, with 3/16" tubing on ends, for EAGLE	340.00
33-3000-01	Splash guard, gas in port (shower head) with 1/4" OD push-in tube fitting	55.00
33-6095RK	Charcoal filter for fixed systems, CF-188	64.00
33-7116RK-01	Silicone removal filter for 1/2" NPT LEL sensor	68.00
33-7121RK	Filter, H2S scrubber disk for ESM-01DH-SO2 sensor	5.00
47-1015RK-01	Power cord, SJT, 115 VAC, 8 feet, with bushings, added to fixed systems	46.00
48-0100RK	Ferrite Core, clamp on noise filter exhaust	3.50
49-0121-10	Power supply in 4X housing, 100-240 VAC in / 24 VDC 4.5 amp output	380.00
49-1551RK	Battery, lead acid, 12V, 1.2 amp hours	50.00
49-1551RK-01	Battery, lead acid, 12V, 1.2 amp hours, with self locking strip fastener	60.00
49-1552RK	Battery, lead acid, 12V, 12 amp hours	105.00
49-4000RK	AC Power supply assembly for M2A/M2A-XL, input 100 VAC to 240 VAC, output 24 VDC, 0.5 amp, mounted in 18-0400RK	220.00
49-4000RK-SS	AC Power supply assembly for M2A/M2A-XL stainless steel housing, input 100 VAC to 240 VAC, output 24 VDC, 0.5 amp, mounted in 18-0416RK-11	320.00
49-8103RK	Standby battery assembly, 24 VDC, 1.2 AMP hours, for Beacon 110 and Beacon 200	280.00
49-8104RK	Standby battery assembly, 24 VDC, 12 AMP hours, for Beacon 110, Beacon 200, Beacon 410A, Beacon 800, & Beacon 3200	480.00
57-1053RK	Transmitter, S2, LEL, 4-20 mA, standard version, 4 wire (low current) detector	300.00
57-1064RK-01	Transmitter, S2, Oxygen, 0-25%, 4-20 mA, with gasket	300.00
57-1064RK-03	Transmitter, S2, toxics, 4-20 mA, with gasket	300.00
81-1103RK	Cal cup for IR 3/4" NPT sensor	15.00
81-1103RK-01	Calibration cup / splash guard, for IR 3/4" NPT sensor, with diffuser holes	40.00

Fixed Systems Accessories

Fixed Systems Replacement Parts and Accessories

Part#	Description	Suggested Retail
81-1109RK	Cal cup for 82 single gas series, GX-82/86/91B (Not for GX-82A or GX-86A)	50.00
81-1112RK-01	Cal cup with diffuser holes, for 1/2 NPT sensor	50.00
81-1113RK	Cal cup, PS-2, with Screws	5.00
81-1114RK	Cal cup, diffusion, super toxic, GD-K8A, (rim feed)	26.00
81-1116RK	Cal cup/splash guard assembly, for CT7 sensor housing	60.00
81-1117RK	Cal cup, standard, fixed systems, for conduit mounting, LEL/O2/H2S/CO, (NPT type)	50.00
81-1120RK	Cal cup for GD-A8 and GD-A8V,w/fitting	110.00
81-1138RK	Cal cup for ESM-01 diffusion sensors, fixed systems (not for Cl2 or NH3)	76.00
81-1138RK-CL2	Cal cup for ESM-01 diffusion chlorine sensors, fixed systems	76.00
81-1138RK-NH3	Cal cup for ESM-01 diffusion ammonia sensors, fixed systems	76.00
81-1183	Cal cup with 3 ft 1/8" ID x 1/4" OD teflon tubing for T2A/T3A/VOC Pro/AirLink 6900 type detectors	175.00
81-1184	Rain guard for T2A/T3A/VOC Pro type explosion proof detector	20.00
81-1185	Cal cup with 3 ft 1/8" ID x 1/4" OD teflon tubing, for non explosion proof Air Alert and AirLink Alert type detectors	45.00
81-1190RK	Splash guard for ESM-01 detectors	20.00
82-0101RK	Magnetic wand, for M2A-XL/T2A/T3A/VOC Pro/Air Alert/AirLink Transmitters	20.00
82-5100RK	Datalogger, 4-channel, 4-20 mA with software & USB cable	1,800.00
82-5102RK	Datalogger, 1 channel, 4-20 mA input, USB interface, with software & leads, Lascar EL-USB-4	250.00
82-5201-01	Email / text generator in 4X housing, contact closure type, 115 VAC with 12 VDC 1.5 amp power supply	650.00
82-5202-01	E-mail / Text generator in NEMA 4X housing, with ability to accept 1 contact closure, 100 - 240 VAC input	560.00
82-5202-02	E-mail / Text generator in NEMA 4X housing, with ability to accept 2 contact closures, 100 - 240 VAC input	760.00
82-5202-11	E-mail / Text generator in NEMA 4X housing, with ability to accept 1 contact closure, 5 VDC input with AC adapter	640.00
82-5202-12	E-mail / Text generator in NEMA 4X housing, with ability to accept 2 contact closures, 5 VDC input with AC adapter	840.00
82-5220	ESTOP emergency shut off with relay contacts for solenoid valve control, 24 VDC power input	900.00
82-5221	ESTOP emergency shut off with relay contacts for solenoid valve control, 115 VAC power input	960.00
82-5222	ESTOP emergency shut off with air pressure control for solenoid valve, 24 VDC input	1,500.00
82-5223	ESTOP emergency shut off with air pressure control for solenoid valve, 115 VAC input	1,560.00

Diffusion Fixed Systems Calibration Kits

Kits for M2A, S2, and Direct Connect

(Non Toxic and Non XP IR)

Cal Cup
Part # 81-1117RK



Gas	Cal-Kit Part #	Cal-Kit Description	Price
CarbonDioxide ppm	81-F407RK02-LV	Cal kit, fixed for Direct Connect, non XP, 34L 2000 ppm Carbon Dioxide in N2, 34L cyl 100% N2, reg with gauge & knob, screwdriver, cal cup, case & tubing	420.00
CarbonDioxide vol	81-F407RK03-LV	Cal kit, fixed for Direct Connect, non XP, 34L 2.5% Carbon Dioxide in N2, 34L cyl 100% N2, reg with gauge & knob, screwdriver, case & tubing	420.00
CarbonMonoxide ppm	81-F201RK	Cal kit, fixed, 103L steel cyl 100 ppm Carbon Monoxide in N2, reg with gauge & knob, cal cup, case & tubing	405.00
	81-F201RK-LV	Cal kit, fixed, 34L cyl 100 ppm Carbon Monoxide in N2, reg with gauge & knob, cal cup, screwdriver, case & tubing	365.00
	81-F204RK-LV	Cal kit, fixed, 34L cyl 200 ppm Carbon Monoxide in Air, reg with gauge & knob, cal cup, screwdriver, case & tubing	365.00
Hexane LEL	81-F001RK-LV	Cal kit, fixed, 34L cyl 15% LEL Hexane in Air, reg with gauge & knob, cal cup, screwdriver, case & tubing	365.00
	81-F001RK	Cal kit, fixed, 103L steel cyl 10% LEL Hexane in Air, reg with gauge & knob, cal cup, screwdriver, case & tubing	405.00
	81-F034RK-LV	Cal kit, fixed, 34L cyl 15% LEL Hexane in Air, 34L cyl 100% zero air, reg with gauge & knob, case & tubing	420.00
	81-F038RK-LV	Cal kit, fixed, 17L cyl 40% LEL Hexane in Air, 34L cyl 100% zero air, reg with gauge & knob, case & tubing	410.00
Hexane ppm	81-F011RK-LV	Cal kit, fixed, 34AL cyl 400 ppm Hexane in Air, humidifier tube, reg with gauge & knob, cal cup, screwdriver, case & tubing	800.00
HydrogenSulfide ppm	81-F101RK-LV	Cal kit, fixed, 34AL cyl 25 ppm Hydrogen Sulfide in N2, reg with gauge & knob, cal cup, screwdriver, case & tubing	440.00
Hydrogen LEL	81-F004RK	Cal kit, fixed, 103L steel cyl 50% LEL Hydrogen in Air, reg with gauge & knob, cal cup, screwdriver, case & tubing	405.00
	81-F004RK-LV	Cal kit, fixed, 34L cyl 50% LEL Hydrogen in Air, reg with gauge & knob, cal cup, screwdriver, case & tubing	365.00
Hydrogen ppm	81-F007RK	Cal kit, fixed, 103L steel cyl 1,000 ppm Hydrogen in Air, humidifier tube, reg with gauge & knob, cal cup, screwdriver, case & tubing	740.00
	81-F007RK-LV	Cal kit, fixed, 34L cyl 1,000 ppm Hydrogen in Air, humidifier tube, reg with gauge & knob, cal cup, screwdriver, case & tubing	700.00
	81-F025RK-LV	Cal kit, fixed, 34L cyl 2,000 ppm Hydrogen in Air, humidifier tube assembly, reg with gauge & knob, cal cup, screwdriver, case & tubing	705.00
	81-F025RK	Cal kit, fixed, 103L steel cyl 2,000 ppm Hydrogen in Air, humidifier tube assembly, reg with gauge & knob, cal cup, screwdriver, case & tubing	740.00
	81-F024RK	Cal kit, fixed, 103L steel cyl 5,000 ppm Hydrogen in Air, reg with gauge & knob, cal cup, screwdriver, case & tubing	800.00
Isobutane LEL	81-F016RK-LV	Cal kit, fixed, 34L cyl 50% LEL Isobutane in Air, reg with gauge & knob, cal cup, screwdriver, case & tubing	365.00
	81-F016RK	Cal kit, fixed, 103L steel cyl 50% LEL Isobutane in Air, reg with gauge & knob, cal cup, screwdriver, case & tubing	405.00
Isopropylalcohol LEL	81-F018RK-LV	Cal kit, fixed, 17L cyl (8 liters gas at 120 psi) 10% LEL Isopropyl Alcohol in Air, reg with gauge & knob, cal cup, screwdriver, case and tubing	365.00
	81-F018RKS-LV	Cal kit, fixed, 17L cyl (8 liters gas at 120 psi) 10% LEL Isopropyl Alcohol in Air, dispensing valve, gas bag, screwdriver, case and tubing	300.00
Methane LEL	81-F002RK-LV	Cal kit, fixed, 34L cyl 50% LEL Methane in Air, reg with gauge & knob, cal cup, screwdriver, case & tubing	365.00
	81-F002RK	Cal kit, fixed, 103L steel cyl 50% LEL Methane in Air, reg with gauge & knob, cal cup, screwdriver, case & tubing	405.00

Diffusion Fixed Systems Calibration Kits

Kits for M2A, S2, and Direct Connect, continued

(Non Toxic and Non XP IR)

Cal Cup
Part # 81-1117RK



Gas	Cal-Kit Part #	Cal-Kit Description	Price
NoCylinders	81-F001RKNG-LV	Cal kit, fixed for 34L size cylinder (gas sold seperately), reg with gauge & knob, cal cup, screwdriver, case & tubing	310.00
Oxygen	81-F301RK	Cal kit, fixed, 103L steel cyl Zero Air, 103L steel cyl 100% N2, reg with gauge & knob, cal cup, case & tubing	540.00
	81-F301RK-LV	Cal kit, fixed, 34L cyl Zero Air, 34L 100% N2, reg with gauge & knob, cal cup, case & tubing	405.00
	81-F302RK-LV	Cal kit, fixed, 34L cyl 100% N2, reg with gauge & knob, cal cup, case & tubing	350.00
	81-F303RK-LV	Cal kit, fixed, 34L cyl 2.0% Oxygen in N2, 34L cyl 100% N2, reg with gauge & knob, cal cup, case & tubing	395.00
Propane LEL	81-F006RK-LV	Cal kit, fixed, 34L cyl 50% LEL Propane in Air, reg with gauge & knob, cal cup, screwdriver, case & tubing	365.00
	81-F006RK	Cal kit, fixed, 103L steel cyl 50% LEL Propane in Air, reg with gauge & knob, cal cup, screwdriver, case & tubing	405.00

Kits for M2A, S2, and Direct Connect (Toxic ESM-01 sensors)

Cal Cup
Part # 81-1138RK



Gas	Cal-Kit Part #	Cal-Kit Description	Price
Ammonia	81-F503RK	Cal kit, fixed, 58AL cyl 25 ppm Ammonia in N2, reg with gauge & knob, cal cup for ESM-01-NH3 sensor, screwdriver, case & tubing	605.00
	81-F503RK-LV	Cal kit, fixed, 34AL cyl 25 ppm Ammonia in N2, reg with gauge & knob, cal cup for ESM-01-NH3 sensor, screwdriver, case & tubing	645.00
Arsine	81-F811RK	Cal kit, fixed, 58AL cyl 0.5 ppm Phosphine in N2, reg with gauge & knob, cal cup for ESM-01 toxic sensors (not for Cl2 or NH3), screwdriver, case & tubing	605.00
	81-F811RK-LV	Cal kit, fixed, 34AL cyl 0.5 ppm Phosphine in N2, reg with gauge & knob, cal cup for ESM-01 toxic sensors (not for Cl2 or NH3), screwdriver, case & tubing	625.00
Chlorine	81-F603RK	Cal kit, fixed, 58AL cyl 2 ppm Chlorine in N2, reg with gauge & knob, cal cup for ESM-01-Cl2 sensor, screwdriver, case & tubing	645.00
	81-F603RK-LV	Cal kit, fixed, 34AL cyl 2 ppm Chlorine in N2, reg with gauge & knob, cal cup for ESM-01-Cl2 sensor, screwdriver, case & tubing	585.00
HydrogenCyanide	81-F813RK	Cal kit, fixed, 58AL cyl 10 ppm Hydrogen Cyanide in N2, reg with gauge & knob, cal cup for ESM-01 toxic sensors (not for Cl2 or NH3), screwdriver, case & tubing	760.00
	81-F813RK-LV	Cal kit, fixed, 34AL cyl 10 ppm Hydrogen Cyanide in N2, reg with gauge & knob, cal cup for ESM-01 toxic sensors (not for Cl2 or NH3), screwdriver, case & tubing	645.00
Phosphine	81-F811RK	Cal kit, fixed, 58AL cyl 0.5 ppm Phosphine in N2, reg with gauge & knob, cal cup for ESM-01 toxic sensors (not for Cl2 or NH3), screwdriver, case & tubing	605.00
	81-F811RK-LV	Cal kit, fixed, 34AL cyl 0.5 ppm Phosphine in N2, reg with gauge & knob, cal cup for ESM-01 toxic sensors (not for Cl2 or NH3), screwdriver, case & tubing	625.00
SulfurDioxide	81-F702RK	Cal kit, fixed, 58AL cyl 5 ppm Sulfur Dioxide in N2, reg with gauge & knob, cal cup for ESM-01 toxic sensors (not for Cl2 or NH3), screwdriver, case & tubing	465.00
	81-F702RK-LV	Cal kit, fixed, 34AL cyl 5 ppm Sulfur Dioxide in N2, reg with gauge & knob, cal cup for ESM-01 toxic sensors (not for Cl2 or NH3), screwdriver, case & tubing	505.00

Diffusion Fixed Systems Calibration Kits

Kits for M2A, S2, and Direct Connect (CT-7 sensors)

Cal Cup
Part # 81-1117RK



Gas	Cal-Kit Part #	Cal-Kit Description	Price
Ammonia	81-F504RK	Cal kit, fixed, 58AL cyl Ammonia 50 ppm in N2, reg with gauge & knob, cal cup for CT7 sensor, screwdriver, case & tubing	580.00
	81-F504RK25-LV	Cal kit, fixed, 34AL cyl Ammonia 25 ppm in N2, reg with gauge & knob, cal cup for CT7 sensor, screwdriver, case & tubing	615.00
	81-F504RK25	Cal kit, fixed, 58AL cyl Ammonia 25 ppm in N2, reg with gauge & knob, cal cup for CT7 sensor, screwdriver, case & tubing	580.00
Chlorine	81-F605	Cal kit, fixed, 58AL cyl 2 ppm Chlorine in N2, reg with gauge & knob, cal cup, screwdriver, case & tubing	620.00
	81-F605-LV	Cal kit, fixed, 34AL cyl 2 ppm Chlorine in N2, reg with gauge & knob, cal cup, screwdriver, case & tubing	555.00
HydrogenCyanide	81-F822RK	Cal kit, fixed, 58AL cyl 10 ppm Hydrogen Cyanide in N2, reg with gauge & knob, cal cup for CT 7 sensor, screwdriver, case & tubing	580.00

Kits for M2A, S2, and Direct Connect (IR XP sensors)

Cal Cup
Part # 81-1103RK



Gas	Cal-Kit Part #	Cal-Kit Description	Price
CarbonDioxide ppm	81-F404RK-LV	Cal kit, fixed, 34L cyl 2,000 ppm Carbon Dioxide in N2, 34L cyl 100% N2, reg with gauge & knob, cal cup for IR 3/4" NPT sensor, case & tubing	385.00
	81-F404RK	Cal kit, fixed, 103L steel cyl 2,000 ppm Carbon Dioxide in N2, 34L cyl 100% N2, reg with gauge & knob, cal cup for IR 3/4" NPT sensor, case & tubing	520.00
CarbonDioxide vol	81-F408RK-LV	Cal kit, fixed, 34L cyl 15% Carbon Dioxide in N2, 34L cyl 100% N2, reg with gauge & knob, cal cup for IR 3/4" NPT sensor, case & tubing	385.00
	81-F403RK-LV	Cal kit, fixed, 34L cyl 2.5% Carbon Dioxide in N2, 34L cyl 100% N2, reg with gauge & knob, cal cup for IR 3/4" NPT sensor, screwdriver, case & tubing	385.00
	81-F944RK-LV	Cal kit, fixed, 34L cyl 2.5% Carbon Dioxide in N2, 34L cyl Compressed Air, 34L cyl 100% N2, reg with gauge & knob, cal cup for IR 3/4" NPT sensor, cal cup standard, case & tubing	420.00
Hexane LEL	81-F023RK-LV	Cal kit, fixed, 34L cyl 15% LEL Hexane in Air, reg with gauge & knob, cal cup for IR 3/4" NPT sensor, screwdriver, case & tubing	265.00
Isobutane LEL	81-F031RKIB-LV	Cal kit, fixed, 34L cyl 20% LEL Isobutane in Air, reg with gauge & knob, cal cup for IR 3/4" NPT sensor, screwdriver, case & tubing	315.00
	81-F022RK-LV	Cal kit, fixed, 34L cyl 50% LEL Isobutane in Air, reg with gauge & knob, cal cup for IR 3/4" NPT sensor, screwdriver, case & tubing	330.00
Isopropylalcohol LEL	81-F028RKIR-IPA	Cal kit, fixed, 17L cyl (8 liters of gas at 120 psig) 10% LEL Isopropyl Alcohol in Air, reg with gauge & knob, cal cup, screwdriver, case & tubing	330.00
Methane LEL	81-F020RK	Cal kit, fixed, 103L steel cyl 50% LEL Methane in Air, reg with gauge & knob, cal cup for IR 3/4" NPT sensor, screwdriver, case & tubing	370.00
	81-F020RK-LV	Cal kit, fixed, 34L cyl 50% LEL Methane in Air, reg with gauge & knob, cal cup for IR 3/4" NPT sensor, screwdriver, case & tubing	330.00
Pentane ppm	81-F027RKIR	Cal kit, fixed IR diffusion, 103L steel cyl 1,000 ppm Pentane in Air, reg with gauge & knob, cal cup for IR 3/4" NPT sensor, screwdriver, case & tubing	370.00

Diffusion Fixed Systems Calibration Kits

Kits for GD-A80 / GD-A80V

Cal Cup
Part # 81-1120RK



Gas	Cal-Kit Part #	Cal-Kit Description	Price
Hexane LEL	81-F009RK-LV	Cal kit, fixed, 34L cyl 15% LEL Hexane in Air, reg with gauge & knob, cal cup for GD-A8 / GD-A8V, screwdriver, case & tubing	425.00
Hexane ppm	81-F010RK	Cal kit, fixed, 103L steel cyl 400 ppm Hexane in Air, reg with gauge & knob, cal cup for GD-A8 / GD-A8V, screwdriver, case & tubing	800.00
	81-F010RK-LV	Cal kit, fixed, 34AL cyl 400 ppm Hexane in Air, humidifier tube, reg with gauge & knob, cal cup for GD-A8 / GD-A8V, screwdriver, case & tubing	855.00
Hydrogen ppm	81-F039RK-LV	Cal kit, fixed, 34L cyl 1000 ppm Hydrogen in Air, reg with gauge & knob, cal cup for GD-A8 / GD-A8V, screwdriver, case & tubing	760.00
Isobutane LEL	81-F014RK-LV	Cal kit, fixed, 34L cyl 50% LEL Isobutane in Air, reg with gauge & knob, cal cup for GD-A8 / GD-A8V, screwdriver, case & tubing	425.00
	81-F029RKIB-LV	Cal kit, fixed, 34L cyl 20% LEL Isobutane in Air, reg with gauge & knob, cal cup for GD-A8 / GD-A8V, screwdriver, case & tubing	410.00
Isobutane ppm	81-F032RK-LV	Cal kit, fixed, 34L cyl 500 ppm Isobutane in Air, humidifier tube assembly, reg with gauge & knob, cal cup for GD-A8 / GD-A8V, screwdriver, case & tubing	750.00
Methanol LEL	81-F008RK-LV	Cal kit, fixed, 34L cyl 50% LEL Methane in Air, reg with gauge & knob, cal cup for GD-A8 / GD-A8V, screwdriver, case & tubing	425.00

Cal Cup
Part # 81-1114RK



Kits For GD-K88Ai

Gas	Cal-Kit Part #	Cal-Kit Description	Price
Ammonia	81-F501RK	Cal kit, fixed, 58AL cyl 25 ppm Ammonia in N2, reg with gauge & knob, cal cup for super toxic GD-K8A (rim feed), screwdriver, case & tubing	555.00
	81-F501RK-LV	Cal kit, fixed, 34AL cyl 25 ppm Ammonia in N2, reg with gauge & knob, cal cup for super toxic GD-K8A (rim feed), screwdriver, case & tubing	595.00
CarbonMonoxide	81-F203RK-LV	Cal kit, fixed, 34L cyl 50 ppm Carbon Monoxide in N2, reg with gauge & knob, cal cup, screwdriver, case & tubing	340.00
Chlorine	81-F601RK	Cal kit, fixed, 58AL cyl 2 ppm Chlorine in N2, reg with gauge & knob, cal cup for super toxic GD-K8A (rim feed), screwdriver, case & tubing	595.00
	81-F601RK-LV	Cal kit, fixed, 34AL cyl 2 ppm Chlorine in N2, reg with gauge & knob, cal cup for super toxic GD-K8A (rim feed), screwdriver, case & tubing	535.00
HydrogenCyanide	81-F806RK	Cal kit, fixed, 58AL cyl 10 ppm Hydrogen Cyanide in N2, reg with gauge & knob, cal cup for super toxic GD-K8A (rim feed), screwdriver, case & tubing	555.00
NitricOxide	81-F810RK-LV	Cal kit, fixed, 34AL cyl 25 ppm Nitric Oxide in N2, reg with gauge & knob, cal cup for super toxic GD-K8A (rim feed), screwdriver, case & tubing	575.00
NitrogenDioxide	81-F804RK	Cal kit, fixed, 58AL cyl 10 ppm Nitrogen Dioxide in Air, reg with gauge & knob, cal cup for super toxic GD-K8A (rim feed), screwdriver, case & tubing	555.00
	81-F804RK-LV	Cal kit, fixed, 34AL cyl 10 ppm Nitrogen Dioxide in Air, reg with gauge & knob, cal cup for super toxic GD-K8A (rim feed), screwdriver, case & tubing	575.00
Ozone	81-F604RK-LV	Cal kit, fixed, 34AL cyl 2 ppm Chlorine in N2, 34L 100% N2, reg with gauge & knob, cal cup for super toxic GD-K8A (rim feed), screwdriver, gas bag, case & tubing (includes special dilution instructions for O3 calibration)	655.00
Phosphine	81-F805RK-LV	Cal kit, fixed, 34AL cyl 0.5 ppm Phosphine in N2, reg with gauge & knob, cal cup, screwdriver, case & tubing	575.00
Silane	81-F809RK	Cal kit, fixed, 58AL cyl 5 ppm Silane in N2, reg with gauge & knob, cal cup for super toxic GD-K8A (rim feed), screwdriver, case & tubing	510.00
SulfurDioxide	81-F701RK	Cal kit, fixed, 58AL cyl 5 ppm Sulfur Dioxide in N2, reg with gauge & knob, cal cup for super toxic GD-K8A (rim feed), screwdriver, case & tubing	415.00

Diffusion Fixed Systems Calibration Kits

Kits for PS 2

Cal Cup
Part # 81-1113RK



Gas	Cal-Kit Part #	Cal-Kit Description	Price
Hydrogen LEL	81-PS2H2-LV	Cal kit, 34L cyl 10% LEL (4,000 ppm) Hydrogen in Air, 34L cyl 30% LEL Hydrogen in Air, reg with gauge & knob, cal cup for PS 2, screwdriver, case & tubing	375.00
	81-PS2H2	Cal kit, 103L steel cyl 10% LEL (4,000 ppm) Hydrogen in Air, 103L steel cyl 30% LEL Hydrogen in Air, reg with gauge & knob, cal cup for PS 2, screwdriver, case & tubing	510.00
	81-PS225H2-LV	Cal kit, 34L cyl 10% LEL (4,000 ppm) Hydrogen in Air, 34L cyl 25% LEL Hydrogen in Air, reg with gauge & knob, cal cup for PS 2, screwdriver, case & tubing	375.00
Methane LEL	81-PS2CH4	Cal kit, 34L cyl 10% LEL Methane in Air, 34L cyl 25% LEL Methane in Air, reg with gauge & knob, cal cup for PS 2, screwdriver, case & tubing	375.00
Propane LEL	81-PS2PR	Cal kit, 103L steel cyl 10% LEL Propane in air, 103L steel cyl 30% LEL Propane in air, reg with gauge & knob, cal cup for PS-2, screwdriver, case & tubing	510.00

Kits for M Series

Cal Cup
Part # 81-1109RK



Gas	Cal-Kit Part #	Cal-Kit Description	Price
CarbonMonoxide	81-F202RK-LV	Cal kit, fixed, 34L cyl 100 ppm Carbon Monoxide in N2, reg with gauge & knob, GX-82/86 cal cup, screwdriver, case & tubing	365.00
HydrogenSulfide	81-F102RK-LV	Cal kit, fixed, 34L cyl 25 ppm Hydrogen Sulfide in N2, reg with gauge & knob, GX-82/86 cal cup, screwdriver, case & tubing	440.00

Diffusion Fixed Systems Calibration Kits

Kit for EC-600 , OX-600, & RI-600

Instrument #	Cal-Kit Part #	Cal-Kit Description	Price
72-1004	81-OX600-LV	Cal Kit, fixed for OX-600, N2 100% 34L, regulator, cal cup, case & tubing	345.00
72-1005 72-1006	81-OX600A-LV	Cal Kit, fixed for OX-600, N2 100% 34L, Zero Air 34L, regulator, cal cup, case & tubing	400.00
73-1202	81-EC600-LV	Cal Kit, fixed for EC-600, 34L cyl 50 ppm CO in N2, reg with gauge & knob, cal cup, case & tubing	345.00
73-1203 73-1204	81-EC600A-LV	Cal Kit, fixed for EC-600, 34L cyl 50 ppm CO in N2, 34L Zero Air, reg with gauge & knob, cal cup, case & tubing	380.00
73-1205-05K 73-1205-10K 73-1206-05K 73-2106-10K	81-RI60005K-LV	Cal kit, RI-600, CO2 5,000 ppm in N2, 34L cyl, N2 100%, 34L cyl, cal cup, regulator, case & tubing	400.00
73-1205-20K 73-1205-50K 73-1206-20K 73-1206-50K	81-RI60050K-LV	Cal kit, RI-600, CO2 2.5% in N2, 34L cyl, N2 100%, 34L cyl, cal cup, regulator, case & tubing	400.00

Kit for OX-500

Instrument #	Cal-Kit Part #	Cal-Kit Description	Price
72-1002RK	81-OX500-LV	Cal Kit, fixed for OX-500, 100% N2, reg with gauge & knob, cal cup, case & tubing	300.00

Kits for T2A / T3A / AirLink 6900 / AirLink T3A

Gas	Cal-Kit Part #	Cal-Kit Description	Price
Chlorine	81-T1203-LV	Cal kit, T2A/T3A, 34AL cyl Cl2 2 ppm in N2, regulator, case, XP cal cup, and tubing	605.00
	81-T1220-LV	Cal kit, T2A/T3A, 34AL cyl Cl2 5 ppm in N2, regulator, case, XP cal cup, and tubing	625.00
HydrogenChloride	81-T0430-LV	Cal kit, T2A/T3A, 34AL cyl HCl 5 ppm in N2, regulator, case, XP cal cup, and tubing	685.00
HydrogenFluoride	81-T1410-LV	Cal kit, T2A/T3A for HF, 34AL cyl Cl2 2 ppm in N2, regulator, case, XP cal cup, and tubing	625.00
HydrogenSulfide	81-T0310-LV	Cal kit, T2A/T3A, 34AL cyl H2S 25 ppm in N2, regulator, case, XP cal cup, and tubing	535.00
Isobutane LEL	81-T6310-LV	Cal kit, T2A/T3A, 34L cyl isobutane in air, regulator, case, XP cal cup, and tubing	460.00
Methane LEL	81-T4010	Cal kit, T3A, 103L cyl Methane 50% LEL in air, regulator, case, XP cal cup, and tubing	495.00
	81-T4010-LV	Cal kit, T3A, 34L cyl Methane 50% LEL in air, regulator, case, XP cal cup, and tubing	460.00
NitricOxide	81-T0725-LV	Cal kit, T2A/T3A, 34AL cyl NO 25 ppm in N2, regulator, case, XP cal cup, and tubing	665.00
Phosphine	81-T1505-LV	Cal kit, T2A/T3A, 34AL cyl PH3 0.5 ppm in N2, regulator, case, XP cal cup, and tubing	665.00
Propane LEL	81-T5310	Cal kit, T3A, 103L cyl Propane 50% LEL in air, regulator, case, XP cal cup, and tubing	495.00
	81-T5310-LV	Cal kit, T3A, 34L cyl Propane 50% LEL in air, regulator, case, XP cal cup, and tubing	440.00

Diffusion Fixed Systems Calibration Kits

Kits for VOC Pro

Instrument #	Cal-Kit Part #	Cal-Kit Description	Price
66-6192-01 66-6192-02 66-6192-05 66-6193-10 66-6194-02 66-6194-05 66-6194-10 66-6195-01 66-6195-02 66-6195-05 66-6195-10	81-T9210	Cal kit, VOC Pro, 103L cyl Isobutylene 10 ppm in air, 103L cyl, Nitrogen 100%, regulator, case, XP cal cup, and tubing	645.00
	81-T9210-LV	Cal kit, VOC Pro, 34L cyl Isobutylene 10 ppm in air, 34L cyl, Nitrogen 100%, regulator, case, XP cal cup, and tubing	515.00
66-6193-20 66-6193-50 66-6193-1K 66-6193-2K	81-T9320	Cal kit, VOC Pro, 103L cyl Isobutylene 100 ppm in air, 103L cyl, Nitrogen 100%, regulator, case, XP cal cup, and tubing	645.00
	81-T9320-LV	Cal kit, VOC Pro, 34L cyl Isobutylene 100 ppm in air, 34L cyl, Nitrogen 100%, regulator, case, XP cal cup, and tubing	515.00
66-6195-01 66-6195-02 66-6195-05	81-T9510	Cal kit, VOC Pro, 58AL cyl Benzene 10 ppm in air, 103L cyl, Nitrogen 100%, regulator, case, XP cal cup, and tubing	645.00
	81-T9510-LV	Cal kit, VOC Pro, 34AL cyl Benzene 10 ppm in air, 103L cyl, Nitrogen 100%, regulator, case, XP cal cup, and tubing	625.00

Kits for Air Alert / AirLink Alert

Gas	Cal-Kit Part #	Cal-Kit Description	Price
Ammonia	81-T0699N-LV	Cal kit, Air Alert/AirLink Alert, 34AL cyl NH3 100 ppm in N2, regulator, case, cal cup for non-XP sensors, and tubing	605.00
Chlorine	81-T1220N-LV	Cal kit, Air Alert/AirLink Alert, 34AL cyl Cl2 5 ppm in N2, regulator, case, cal cup for non-XP sensors, and tubing	505.00
	81-T1220N-LV	Cal kit, Air Alert/AirLink Alert, 34AL cyl Cl2 5 ppm in N2, regulator, case, cal cup for non-XP sensors, and tubing	505.00
HydrogenChloride	81-T0410N-LV	Cal kit, Air Alert/AirLink Alert, 34AL cyl HCl 5 ppm in N2, regulator, case, cal cup for non-XP sensors, and tubing	565.00
HydrogenFluoride	81-T1410N-LV	Cal kit, Air Alert/AirLink Alert for HF, 34AL cyl Cl2 2 ppm in N2, regulator, case, cal cup for non-XP sensors, and tubing	505.00
SulfurDioxide	81-T1020N	Cal kit, Air Alert/AirLink Alert, 58AL cyl SO2 5 ppm in N2, regulator, case, cal cup for non-XP sensors, and tubing	385.00

Kits For RI-215A

Gas	Cal-Kit Part #	Cal-Kit Description	Price
CarbonDioxide ppm	81-F405RK-LV	Cal kit, fixed, RI-215A, 34L cyl 2,000 ppm Carbon Dioxide in N2, 34L cyl 100% N2, reg with gauge & knob, screwdriver, case & tubing	375.00
	81-F402RK-LV	Cal kit, fixed, RI-215A, 34L cyl 5,000 ppm Carbon Dioxide in N2, reg with gauge & knob, case & tubing	360.00
CarbonDioxide vol	81-F401RK-LV	Cal kit, fixed, RI-215A, 34L cyl 2.5% Carbon Dioxide in N2, reg with gauge & knob, case & tubing	360.00

Sample Draw Fixed Systems Calibration Kits

Cal Cup
Part # 81-1148RK



Kits for SD-1

Instrument #	Cal-Kit Part #	Cal-Kit Description	Price
SD-1GH-H2	81-SD-1GH-H22K	Cal Kit, fixed for SD-1GP, 2000 ppm H2/Air 34L, reg, cal cup, case & tubing	760.00
SD-1GP-CH4	81-SD-1GP-CH4LV	Cal Kit, fixed for SD-1GP, 50% LEL CH4/Air 34L, reg, cal cup, case & tubing	420.00
SD-1GP-H2	81-SD-1GP-H2LV	Cal Kit, fixed for SD-1GP, 50% LEL H2/Air 34L, reg, cal cup, case & tubing	420.00
SD-1RI-IC4H10	81-SD-1RI-IBLV	Cal Kit, fixed for SD-1GP, 50% LEL isobutane/Air 34L, reg, cal cup, case & tubing	420.00
	81-SD1GPH2CO-LV	Cal Kit, fixed for SD-1GP, 50% LEL H2 in Air 34L, for SD-1EC, 50 ppm CO in Air 34L, reg, 2 cal cups, case & tubing	835.00

Sample Draw Fixed Systems Calibration Kits

Kits For Sample Draw Heads

Instrument #	Cal-Kit Part #	Cal-Kit Description	Price
Ammonia	81-F501RKS	Cal kit, fixed, GD-K7D2/GD-K77D/GD-K71D/GD-K70D, 58AL cyl 25 ppm Ammonia in N2, demand flow reg, screwdriver, case & tubing	685.00
CarbonDioxide ppm	81-F404RKS-DLV	Cal kit, fixed, 34L cyl 2,000 ppm Carbon Dioxide in N2, 34L cyl 100% N2, demand flow reg, screwdriver, case & tubing	525.00
	81-F402RKS-LV	Cal kit, fixed, RI-215D, 34L cyl 5,000 ppm Carbon Dioxide in N2, disp valve, gas bag, screwdriver, case & tubing	305.00
Chlorine	81-F601RKDS-LV5	Cal kit, fixed, 34AL cyl 5 ppm Chlorine in N2, demand flow reg, screwdriver, case & tubing	660.00
	81-F601RKS	Cal kit, fixed, GD-K7D2/GD-K77D/GD-K71D/GD-K70D, 58AL cyl 2 ppm Chlorine in N2, demand flow reg, screwdriver, case & tubing	710.00
	81-F807RKS	Cal kit, fixed, GD-K7D2/GD-K77D/GD-K71D/GD-K70D, 58AL cyl 5 ppm Hydrogen Chloride in N2, high flow reg with gauge & knob, gas bag, screwdriver, case & tubing	560.00
Hexane LEL	81-F001RKS-LV	Cal kit, fixed, 34L cyl 15% LEL Hexane in Air, disp valve, gas bag, screwdriver, case & tubing	250.00
HydrogenCyanide	81-F806RKS	Cal kit, fixed, GD-K7D2/GD-K77D/GD-K71D/GD-K70D, 58AL cyl 10 ppm Hydrogen Cyanide in N2, demand flow reg, screwdriver, case & tubing	685.00
HydrogenSulfide	81-F101RKS-01	Cal kit, fixed, 58AL cyl 5 ppm Hydrogen Sulfide in N2, 103L steel cyl Zero Air, reg with gauge & knob, gas bag, case & tubing	520.00
	81-F101RKS	Cal kit, fixed, 58AL cyl 25 ppm Hydrogen Sulfide in N2, demand flow reg, screwdriver, case & tubing	470.00
Hydrogen LEL	81-F004RKS-LV	Cal kit, fixed, 34L cyl 50% LEL Hydrogen in Air, disp valve, gas bag, screwdriver, case & tubing	250.00
	81-F005RKS-LV	Cal kit, fixed, 34L cyl 50% LEL Hydrogen in Air, 34L cyl Zero Air, dispensing valve, gas bag, screwdriver, case & tubing	305.00
Hydrogen ppm	81-F017RKS-LV	Cal kit, fixed, 34L cyl 1,000 ppm Hydrogen in Air, 34L cyl Zero Air, humidifier tube assembly, dispensing valve, gas bag, screwdriver, case & tubing	595.00
Isopropylalcohol LEL	81-F018RKS-LV	Cal kit, fixed, 17L cyl (8 liters gas at 120 psi) 10% LEL Isopropyl Alcohol in Air, dispensing valve, gas bag, screwdriver, case and tubing	300.00
Methane LEL	81-F002RKS-LV	Cal kit, fixed, 34L cyl 50% LEL Methane in Air, dispensing valve, gas bag, screwdriver, case & tubing	250.00
NitrogenDioxide	81-F804RKS-LV	Cal kit, fixed, 34AL cyl 2 ppm Nitrogen Dioxide in Air, high flow reg with gauge & knob, gas bag, screwdriver, case & tubing	575.00
Phosphine	81-F808RKS-LV	Cal kit, fixed, GD-K7D2/GD-K77D/GD-K71D/GD-K70D, 34AL cyl 0.5 Phosphine in N2, 34L cyl 100% N2, two regs with gauge & knob, gas bag, screwdriver, case & tubing	760.00
SulfurDioxide	81-F701RK-DLV	Cal kit, fixed, GD-K7D2/GD-K77D/GD-K71D/GD-K70D, 34AL cyl 5 ppm Sulfur Dioxide in N2, demand flow reg, screwdriver, case & tubing	515.00
	81-F701RKS	Cal kit, fixed, GD-K7D2/GD-K77D/GD-K71D/GD-K70D, 58AL cyl 5 ppm Sulfur Dioxide in N2, demand flow reg, screwdriver, case & tubing	480.00

Sample Draw Fixed Systems Calibration Kits

Part # Prefixes

Prefix	Description	Page #
06-	Tubing	242
07-	O-ring, Gasket, Grommet, Foam Insert	242
08-	Adhesive, Epoxy, Cement	243
10-	Screws, Bolts, Threaded Studs	244
11-	Nuts, Washers, Retaining Rings	244
13-	Strap, Handle, Belt Clip, Straps, Thumb Screws, Captive Fasteners	244
14-	Bracket, Spacers, Standoffs, Insulators	245
15-	Spring Clips, Hose Clamps, Battery Contacts	245
17-	Tube Fittings, Hose Fittings	245
18-	J-Box, Cable Bushing, Conduit Fittings	246
20-	Carrying Cases, Soft Cases	247
21-	Cases, Housings, Mounting Plastic	247
22-	Rack Panels, Blank Panels	249
29-	Labels, Membrane Switches, Nameplates	249
30-	Pump, Pumps Spare Parts, Aspirator Bulbs, Fans	250
31-	Flowmeter, Pressure Sensor, Pressure Regulators	252
32-	Valves, Solenoid Valves	252
33-	Filters, Filter Membranes, Water Traps	252
35-	Flow Assembly, Flow Block, Manifolds, Dummy Plugs	255
41-	Pots	257
43-	Switches, Fuses	257
45-	Battery Holders, Connectors, Sockets	258
46-	Knobs, Covers	258
47-	Extender Cables, Shrink Tubing, Wire, Cable	258
48-	Transformers, Inductors	259
49-	Batteries, Chargers	259
50-	Meters, Meter Dials	261
51-	Displays, Lights, LED	262
52-	Buzzers, Horns	263

Prefix	Description	Page #
54-	IC's, Diodes, Transistors, Amplifiers, Eproms	264
57-	PCB Assemblies, Voltage Regulators	264
60-	Filaments, Flame Arrestors	266
61-	Combustible Sensors, IR Detectors, Combustible Detector Heads	266
62-	LEL & MOS Sensors, Detector Tubes	268
65-	Detector Heads, Toxic Sensors, Oxygen Sensors, Paper Tapes	269
66-	AirLink Transmitters	275
71-	Manuals, Videos, CD's	285
72-	Instruments-Portables & Fixed Controllers	285
73-	Instruments, Fixed Heads	313
74-	AirLink Controllers	315
75-	Adders to Instruments	316
80-	Probe, Hoses	316
81-	Gases, Cal Kit, Regulator, Pumps, Cal Cups	318
82-	Data logging Packages, Software	347
83-	Instrument Software	347
90-	Field Service	348
91-	Labor	348
DEM-	IR Sensors	349
EC-	RM-580 Modules	349
EL-	Element Sensor	349
ES-	Sensor, electrochemical	349
ESM-	Sensor with memory	350
FP-	Paper Tape	352
GD-	Fixed Heads, Riken	353
GE-	Sensors	360
HW	Sensors, LEL	361
NC	Sensors, LEL	361

Numerical Index

Part#	Description	Suggested Retail
02-1008-01	Finned tubing, 2', for cooling sample lines, with 1/4" tube fittings	270.00
04-0450RK	Rod,porous polyethylene,1/8 Dia,70micron,1 foot long	100.00
06-1020-01	Tube,8 mm x 11 mm, vinyl chloride,clear,for SDM-2012 connection to GX-2012 exhaust line	7.40
06-1198RK	Tubing,polyurethane 4 X 2.5MM,per foot,yellow,for RX-517	1.80
06-1199RK	Tubing,polyurethane 4 X 2.5MM,per foot,clear	0.50
06-1200RK	Tubing,polyurethane,4 x 6 mm,clear,polyether based,per foot	0.80
06-1210RK-01A	Tubing,5 x 7 mm,green polyurethane,8 inch length w/fitting,for DM-2003	30.00
06-1213RK	Tubing,5 x 8 mm,fluorine (viton)	12.80
06-1225RK	Tubing, polyurethane, 3/16" x 3/8", black, per foot	3.00
06-1225RKC	Tubing,polyurethane,3/16" x 3/8",clear	3.00
06-1242RK	Tubing,polypropylene,1/4 inch OD X 1/8 inch ID,per foot	2.00
06-1242RK-01	Tube,polypropylene,1/4 inch OD X 1/8 inch ID x 7.5 inch long	3.00
06-1248RK	Tubing, polyurethane, 3/16" ID x 5/16" OD, per foot	2.00
06-1248RK-03	Calibration kit tubing, polyurethane, 3/16" ID x 5/16" OD, 3 feet	4.50
06-1248RK-10	Tubing,polyurethane,3/16 x 5/16,10 ft length	12.00
06-1252RK	Tubing 1/8" ID x 1/4" OD, per foot	2.00
06-1254RK	Tubing,5/16" ID x 7/16" OD,polyurethane,polyether based,clear	3.00
06-1254RK-10	Tubing, 5/16" ID x 7/16" OD, clear polyurethane, 10 ft length	18.00
06-1268RK	Tubing,teflon(FEP),4mm OD X 2mm ID	5.00
06-1272RK	Tubing, teflon, 6x4mm, PTFE	6.50
06-1273RK	Tubing, teflon, semi-rigid, for EAGLE inlet super toxic gas versions, (standard type, order by the foot, 3 ft max)	10.00
06-1275	Tubing, Teflon, PTFE, 1/4 inch OD x 5/32 inch ID	6.50
06-1283RK	Tubing, teflon/polyurethane, 1/4" OD x 1/8" ID, 3', for toxic gas cal kits	30.00
07-0008RK	Battery hold down pad, Eagle	0.65
07-0009RK	ISB PC Board hold down pad, Eagle	1.20
07-0020RK	Foam pad,1.40 x 2.00 x .125,DC/AC conv,Model 1017	1.50
07-0029RK	Sensor gasket for GasWatch 2	2.00
07-0033RK	Gasket,CT-7 Sensor Housing	1.50
07-0034RK	Gasket,Seal,CT-7 Sensor Flow block	0.60
07-0039RK	Gasket,CT-7 Sensor Housing,Non-XP	1.40
07-0053RK	Gasket,sealing CT7/Oxygen sensor.	2.00
07-0056	Sensor gasket, for GasWatch 3	2.00
07-0101RK	Gasket,.425 ID x .520 OD x.015	2.00
07-0102RK	Gasket,125 IDx.297 ODx.02,Buna	0.40
07-0103RK	Gasket,.31x.50x.015,neoprene	0.75
07-0104RK	Gasket,Eagle Case,die cut	7.20
07-0106RK	Gasket, EAGLE LEL, special gases (donut for heavy hydrocarbons)	0.50
07-0107RK	Gasket,.75 x .58 x .093,neoprene	1.75
07-0122RK	Gasket,oxygen detector, explosion proof	3.00
07-0125RK	Gasket, ESM-01 Sensor Housing	3.10
07-0129RK	Gasket,Oxygen detector,non-explosion proof	1.60
07-0131RK	Gasket, battery pack seal for EAGLE 2	4.60
07-0133RK	Gasket, buzzer for EAGLE 2	6.00
07-0135RK	Gasket,.150 IDx.296 ODx.022,Buna	0.26
07-0147	Gasket,Cl2/CIO2 type CT-7 detector,Poron,1.00 OD x 0.50 ID x 0.125 thick	14.00
07-0201RK	Rubber cushion, for battery clips, EAGLE	2.40
07-0203RK	Boot, filter, for ES-1531-CO filter	12.00
07-0213RK	Rubber Pad,1/16"Thk,Battery Clip,Eagle 2	1.20
07-0214RK	Rubber Pad,3/16"Thk,Battery Clip,Eagle 2	1.50
07-0220	Rubber cap, .22" ID x .3" OD x .5"	1.00
07-0221	Gasket,instrument sensor port sealing,SDM-03	7.00
07-0222	Gasket, female, for GX-6000 inlet interface on SDM-6000	18.00
07-0223	Gasket, male, for GX-6000 inlet interface on SDM-6000	13.00
07-0327	Protective rubber boot for SP-220	38.00
07-2002	Filter packing for SP-220, black	5.40
07-2005RK	Gasket, filter/screen retaining, RP-3R / RP-2009 / RP-6 / GX-2003 / GX-2012 / Gas Tracer / GX-Force	15.00
07-2016RK	Gasket,case,SC-01	8.00
07-2017RK	Housing gasket for sensor chamber, RP-2009	5.00
07-2029	Gasket, upper case for GX-8000/RX-8000/RX-8700	5.50
07-2030	Gasket, bottom case, GX-8000/RX-8000/RX-8700	5.50

Numerical Index

Part#	Description	Suggested Retail
07-2031	Cover for charging jack,GX-8000/RX-8000	9.20
07-2032	Sensor gasket,GX-8000	5.50
07-2033	Gasket for sensor, fluorine contained rubber for GP-1000 & NC-1000.....	5.40
07-2035	Gasket, Eagle water trap (80-0211RK), soft polyethylene, 36 x 40 x t1	18.00
07-6000RK	O-ring for inlet fitting of RP-3R/RP-2009/RP-6/GX-2003/GX-2012/Gas Tracer	1.00
07-6008RK	O-ring gasket for sensor case, GX-2009, 1 each	7.00
07-6017RK	Gasket for GX-2009 case, one each	2.50
07-6018RK	Gasket for buzzer hole, GX-2009	6.00
07-6019-01	Sensor chamber gasket with adhesive film,for SDM-2009	9.40
07-6019RK	Sensor chamber gasket for sensor retainer, GX-2009, 1 each	7.00
07-6020RK	O-ring for EAGLE probe	0.90
07-6021RK	Gasket, sensor retainer, 1 each	2.00
07-6024RK	Battery pack gasket, GX-2012 / Gas Tracer	15.00
07-6025RK	Main case gasket, GX-2012 / Gas Tracer	6.00
07-6026RK	Sensor gasket, GX-2012 / Gas Tracer	6.00
07-6027RK	O-ring,battery compartment sealing, RP-2009	1.40
07-6029	O-ring,for pump holder,GX-8000/RX-8000	5.50
07-6030RK	O-ring,for Killark HKB junction box	9.00
07-6031	Gasket for battery compartment cover on 03 series	2.00
07-6032	Gasket between front and rear case of 03 series	2.40
07-6033	Sensor gasket for 03 or 04 series	2.00
07-6034	Rubber sheet around buzzer on main board of 03 series.....	1.40
07-6035	O-ring, rubber exhaust sealing for GX-6000	1.20
07-6036	Gasket for top cover, black rubber for GX-6000	9.60
07-6037	Sealing joint for pump exhaust port,black EPDM,GX-6000	8.00
07-6038	Gasket for cover, black rubber for GX-6000	12.00
07-6039	Rubber joint for pressure sensor, black for GX-6000.....	16.00
07-6040	Gasket for sensor chamber (sensor cover), black rubber for GX-6000	12.00
07-6041	Sensor gasket, fluorine rubber, for GX-6000	34.00
07-6042	Gasket for BUD-6000, EPDM black, for GX-6000	10.00
07-6043	Gasket for pump, black rubber for GX-6000	16.00
07-6044	O-ring,for Crouse Hinds EI21 jbox	26.00
07-6045	O-ring JASO 2026 EPDM, for SP-220	5.20
07-6046	O-ring,size 2-150,N-0674-70,for 18-0400RK j-box.....	8.00
07-6047	O-ring,for 17-1035 nipple,SDM-2012	6.40
07-6048	O-ring,for RX-517 H2S sensor.....	1.80
07-6051	O-ring, 2.62 mm diameter, battery compartment sealing for RP-3R/RP-3R PRO/RX-8500/RX-8700	2.60
07-6052	Gasket,for battery compartment,GasWatch 3	1.80
07-6057	Sensor gasket, GX-3R	3.60
07-6058	Sensor retainer gasket, O-ring, GX-3R	3.60
07-6063	Gasket between front and back case, GX-Force	5.00
07-6064	Filter gasket, GX-Force	2.00
07-6065	Charger port rubber cover, GX-Force	3.00
07-7008RK	O-ring,.176 ID x .070,buna-N	0.25
07-7010RK	O-ring,.239 ID X .070,BN	0.30
07-7011RK	O-Ring, .301 ID x .070 BN	0.50
07-7014RK	O-ring,.489 ID X .070,BN	0.50
07-7014RK-10	O-ring,.489 ID X .070, viton (for AL regulators)	1.00
07-7016RK-01	O-ring,.614 ID X .070, QUAD BN	1.40
07-7020RK	O-ring, .864 ID X .070,BN	0.50
07-7028RK	O-ring,1.364 ID X .070,BN,for O2 sensor blocks.....	0.50
07-7070RK-50	O-ring,7.00ID X.076,BN,50 durometer,Eagle 2 Main Case Gasket	8.40
07-7123RK	O-ring,1.174 ID X .103,N0674-70 nitrile (EAGLE oxy seal)	0.50
07-7206RK-50	O-ring,0.484 ID x .139,Buna,50 durometer	1.40
07-7210RK	O-ring, .609ID x .139W, Viton, 50 Durometer.....	3.00
07-7218RK	O-ring,0.734 ID x .139, buna	1.00
07-7225RK	O-ring,1.234 ID x .139, buna	0.50
07-7300RK	O-ring,0.315 ID x .039, BN	0.50
07-7301RK	O-ring, .078 X .030, Pogo-Pin, Eagle 2	1.40
07-7304RK	O-ring, .850ID x .21W, Viton, 50 Durometer	9.20
08-0077RK	E-6000 sealant (for replacing membrane switch)	8.00

Numerical Index

Part#	Description	Suggested Retail
09-0300RK	Desiccant, Silica Gel, 5 Grams	0.60
10-0109RK	Screw,MS,4-40X 1/4 PH,philips,SS	0.25
10-0119RK	Screw,MS,4-40X3/8 FH,philips	0.25
10-0196RK	Screw, 6-32 x 3/16,pan,slotted,SS	0.25
10-0200RK	Screw,6-32X5/16,PAN,philips,SS	0.25
10-0209RK	Screw,6-32 X 3/8,PAN,philips,SS.....	0.25
10-0271RK	Screw,MS,6-32X1.38,PAN,philips	1.00
10-0344	Screw, 8-32 x 5/8,flat head,phillips, SS	0.50
10-0377RK	Screw,MS,8-32 x 7/8,pan head phillips,SS	0.25
10-0454RK	Screw,10-32 X 5/8 PHMS,philips,SS	0.25
10-0473RK	Screw, 10-32 x 7/8"long,Pan Head, phillips,SS	0.50
10-1083	Screw, M2 x 3.5, SS, pan head, philips	1.00
10-1085	Screw,M2 x 6 mm,SS,philips,self tapping,	1.00
10-1086	Screw with flat & lock washers for GX-3R/GX-3R Pro belt clip, M2 x 4, SS, pan head, philips.....	1.00
10-1086-50	Screw with flat & lock washers,M2 x 4,SS,pan head,philips,pack of 50	25.00
10-1088	Screw, M2 x 6, for sensor retainer and battery retainer, for GasWatch 3	1.00
10-1092RK	Truss screw M2 x 5	0.25
10-1093RK	Screw M2 x 6	0.75
10-1095RK	Screw,M2 x 5,Tras head,philips,SS.....	0.50
10-1098RK	Screw with split lock and flat washers for alligator or belt clip, GX-2009 and GX-6000, 1 each	0.50
10-1100RK-02	Replacement screw sets, 2 screw types, 2 sets of 8, GX-2001	6.50
10-1104RK	Screw for case or sensor retainer, M2 x 10 mm, GX-2001 or GX-2009, 1 each	0.25
10-1108RK	Screw M2 x 16.....	1.00
10-1119	Screw, M3 x 12 mm, stainless steel, charger screw to SDM-3R.....	1.50
10-1132	Screw M3 x 8, SUS304	2.00
10-1133	Screw, M3 x 8mm, pan head, philips, captive, SUS304	2.00
11-0239	Washer,flat,#8,.50 OD x .172 ID x .08 THK, SS.....	1.00
11-0240RK	Washer,flat,#8,.375 OD x .172 ID x .031	0.25
11-0241RK	Washer,split lock,#8	0.25
11-0251RK	Washer,split lock, #10	0.25
11-0255RK	Washer,Flat,#10,.63 OD, SS	0.25
11-0311RK	Washer, Nylon, .50 OD x .167 ID x .093 Thk	0.75
11-4021RK	Nut,hex flange,M8 x 8 mm,13 mm hex,stainless steel	0.50
11-5090RK	Washer, flat,2.2 mm x 4.3 mm x 0.3 mm, for sensor adapter retaining, RP-2009	3.00
13-0002RK	Handle,Molded,w/ Inserts,Eagle 2	24.00
13-0100RK	Shoulder Strap with RKI logo, EAGLE / EAGLE 2	32.00
13-0105RK	Watchband replacement, for GasWatch 2/GasWatch 3	7.00
13-0112RK	Wrist strap	4.00
13-0117RK	Belt clip, GX-2009, includes 3 installation screws	16.00
13-0118RK	Belt clip, GX-2012 / Gas Tracer	24.00
13-0119	Alligator clip with mounting screws, GX-2009	30.00
13-0119-01	Optional ring attachment for 13-0119 with installation screws	9.00
13-0119-MSHA	Clip,alligator,with mounting screws and PA approval label,new type,GX-2009 MSHA type	33.00
13-0121	Alligator Clip for 03 series (requires 13-0204RK for installation)	25.00
13-0122	Belt Clip for 03 or 04 series.....	18.00
13-0123	Belt clip with installation screws for GX-6000	35.00
13-0124	Alligator clip with installation screws for GX-3R/GX-3R Pro	26.00
13-0125	Belt clip with installation screws for GX-3R/GX-3R Pro	28.00
13-0128	Alligator clip assembly, 04 Series	36.00
13-0130	Belt clip, GX-Force	16.00
13-0201RK	Ring,split,.875" dia,stainless steel,EAGLE	0.75
13-0204RK	Spring bar with outer tube for 03/04 Series and wrist band of GasWatch 2/GasWatch 3	1.40
13-0212RK	Bracket,Clip,Snap-on,Gaswatch 2	18.00
13-0215RK	Alligator clip for SC-01 & OX-07	12.40
13-0216RK	Alligator clip mounting bracket for SC-01.....	3.50
13-0217RK	Belt clip for SC-01, includes 2 screws.....	9.00
13-0222	Bracket,Clip,Snap-on,Gaswatch 3	26.00
13-0550	Lanyard for GX-6000 benzene tube holder (80-0174)	15.00
13-0700	Knurled tip breaker for GX-6000 benzene tube holder (80-0174)	43.00
13-0701	Cap for silver tip breaker for GX-6000 benzene tube holder (80-0174)	24.00
13-1001	Latch assembly,SDM-6000	90.00

Numerical Index

Part#	Description	Suggested Retail
13-1061RK	Panel Screw,Captive,6-32 x 1/2,PH Phillips,SS	2.50
13-1070RK	Panel screw,captive,10-32 x 1.75,SS	18.00
13-1080RK	Thumbscrew,captive,1/4-20x1.56	6.00
13-1081RK	Thumbscrew, captive, 10-32 x 2.0, EAGLE 2	10.60
13-1116	Screw for battery compartment cover of 03 series	4.00
13-1117	Panel screw, M3 x 8 mm, 304 SS, cross recessed pan head,for GX-8000/RX-8500/RX-8700 battery cover	1.80
13-1521	Door latch,quick release,for Hoffman enclosures	46.00
13-6022-01	Din rail & end clamps kit to wall mount for one GX-6000 charger	10.00
13-6025-01	Din rail & end clamps kit to wall mount for up to four GX-6000 charger	14.00
14-0003RK	Insulator,ISB/Battery,Eagle	7.00
14-0003RK-01	Insulator,IS barrier/battery, w/foam pad	12.00
14-0004RK	Insulator,analog PC Board,Eagle	5.00
14-0010RK	Insulator,Main PC Board,Eagle 2	5.60
14-0050RK	Bracket,Handle,Forward,Eagle 2	14.00
14-0051RK	Bracket,Handle,Lower,Eagle 2	7.80
14-0101RK	Bracket,Case assembly,Eagle	14.00
14-0102RK	Strap,O2 CELL, Eagle	10.00
14-0103RK	Strap, LEL Sensor,Eagle	2.00
14-0104RK	Bracket, TOXICS CELL,Eagle.	12.50
14-0138RK	Adapter Plate, Beacon 800 Power Supply	13.00
14-0139RK	Plate, Mounting, S2 Conversion Kit	16.00
14-0141RK	Strap for ESM-01 / IR sensors	8.40
14-0400	Bracket,wall mounting,for BC-2009	8.80
14-0401	Wall mounting bracket for SDM-6000, 1 set (3 pieces)	42.00
14-0401-01	Bracket,wall mounting,without screw,for SDM-6000/SDM-3R.....	14.00
14-0401-02	Bracket,wall mounting,for SDM-6000/SDM-3R,set of 2 pcs with screws	28.00
14-0402	Connection brackets, set of 2, with screws, for connecting the SV-3 solenoid to SDM-6000	54.00
14-0403	Connection brackets, set of 3, with screws, for connecting the SDM-6000 units together	76.00
14-0404	Bracket,wall mounting,for GD-10X/GD-1DOX replacing GD-F44	88.00
14-0405	Mounting bracket with threaded rod,for 570-SR	12.00
14-0406	Bracket,for pipe mounting U-bolt,GD-K88Al	70.00
14-0560RK	Standoff,hex,4-40 X 7/8,M/F,AL	3.40
14-0570RK-01	Standoff,hex,6-32X9/16,M/F,SS	1.50
14-0573RK-01	Standoff,hex,6-32X1,M/F,SS	4.00
14-0578RK	Standoff,hex,6-32x1 5/8,m/f,AL	1.40
14-1108RK	Standoff,round,for M2 display PCB	2.00
14-1109RK-02	Standoff assy w/jack & two washers, terminal PCB retaining,for Crouse Hinds jbox, M2A	8.80
1418-0505-00	Exhaust fitting,for Riken marine fixed system,SMC# KQ2VD08-01AS	30.00
15-0050RK	Battery contact,PC Board mounting,solder	0.35
15-0100RK	Spring,,337 OD x.820 OD x .65 long	8.00
15-0500	Battery contact short for 03 series.....	5.20
15-0501	Battery contact piece (-) for 03 series	2.60
15-0502	Battery contact piece (+) for 03 series	2.60
15-0503	Spring for positive battery contact on FP-31	4.00
15-0504	Battery spring A for FP-31	2.40
15-0505	Battery spring B for FP-31	3.60
15-0522RK	Battery contact spring, battery cap, RP-2009	7.60
15-0523RK	Battery charger spring contacts for GX-2009 charger, BC-2009	2.20
15-0524	Compression spring,for stopper plate,GX-2012/Gas Tracer	1.00
16-0200RK	Flame arrestor ftg,1/2 NPT male x 1/4 NPT fem,XFA2	190.00
17-0480RK	Exhaust fitting, EAGLE 2	14.00
17-0500RK	Fitting,quick Connector/barb,3/16ID tubing	4.00
17-0505RK	Fitting,w/1/8 NPT male/1641 male	10.00
17-0515RK	Fitting,probe adptr,M8 x 1641 male	16.00
17-0517RK	Ftg,1/8 barb x 10-32 w/.032 dia. restriction	4.00
17-0519RK	Fitting,restrictor,for Eagle ST bypass	11.00
17-0520-01	Dilution fitting assembly for GD-70D4A,4H,4S,4X,approximately 1:1,extra sample	64.00
17-0520RK	Dilution fitting,internal,approx 1:1,extra sample	46.00
17-0522RK	Exhaust fitting, 1/8" hose barb	10.00
17-0524RK	Fitting,restrictor,w/.055 dia hole	6.00
17-0529RK	Fitting, 1/8" Barb to 1641 Qick Connect	20.00

Numerical Index

Part#	Description	Suggested Retail
17-0533-01	Dilution fitting with tubing,4:1,for GX-2012 high range H2S unit	60.00
17-0599RK	Rubber elbow,fluorine,2.5 mm ID x 4.5 mm ID,grey	4.00
17-0600RK	Rubber elbow,fluorine, grey	7.80
17-0601RK	Rubber elbow for internal filter, EAGLE & others	2.00
17-0602RK	Tee,PP,1/8 ID	1.00
17-0603RK	TEE, PP, 3/32 ID	0.80
17-0604RK	TEE, PP , 5/32 ID	0.80
17-0606RK	ELBOW,PP,BAR,5/32" ID	0.80
17-0610RK	HOSE BARB, PP, 10-32 X 3/32 ID	0.80
17-0611RK	TEE, PP , 1/4 inch ID, for use with 5/16 ID tubing	0.80
17-0630RK	Elbow,adj,10-32X.093 barb,brass	12.80
17-0633RK	Fitting,STRT,10-32X.093 barb,nickel plated brass	6.20
17-0635RK	Fitting,strt,10-32x.190 barb,Ni pl+B238	6.60
17-0640RK	HOSE BARB,1/8FP X 3/32 ID HOSE	0.60
17-0645RK	Barb,1/8NPT male/3/16 ID hose,stainless steel	44.00
17-1000RK	Inlet fitting (also needs o-ring 07-6000RK) for RP-3R/RP-6	8.80
17-1001RK	Tapered rubber inlet nozzle, 4", RP-3R/RP-2009/RP-6/GX-2003/GX-2012/Gas Tracer	8.00
17-1015RK	Fitting,4x6 tube/GX-7 fem	16.60
17-1016RK	Hose fitting,4x6mm/GX-7 male	15.00
17-1021RK	Fitting,1/4 inch x 1/8 inch tube/GP-204 type male thread,w/O-ring (1410306230)	9.20
17-1022RK	Fitting,1/4 inch x 1/8 inch tube/GX-7 type female coupling	16.60
17-1025RK	Hose coupler, female, EAGLE, EAGLE 2	20.00
17-1026RK	Hose coupler, male, EAGLE, EAGLE 2	10.00
17-1031	Tapered nozzle, rubber, red, for GX-6000 inlet	9.00
17-1032	Hose ftg,quik disconnect,female,w/3/16 barb	35.60
17-1033	Hose ftg,quik disconnect,male,w/3/16 barb	15.00
17-1034	Nipple,without O-ring,for connecting to instrument inlet fitting,SDM-2012	13.40
17-1034-01	Nipple,with O-ring,for connecting to instrument inlet fitting,SDM-2012	18.80
17-1035	Nipple,without O-ring,for connecting to instrument exhaust fitting,SDM-2012	15.80
17-1035-01	Nipple,with O-ring,for connecting to instrument exhaust fitting,SDM-2012	27.00
17-1037	Metal exhaust fitting at the back of SDM-6000.....	14.00
17-2500RK	Fitting,1/8 PT male x 4x6 tube,RKK type	8.00
17-2500RK-01	Nut/ferrule/4x6 tube for GD-70D fitting	5.00
17-2501RK	Fitting,1/4 PT male x 4x6 tube,RKK type	4.00
17-2503RK-01	Nut/ferrule/tube support,1/4 x 5/32 inch tube,for RKK fitting	7.50
17-2503RK-02	Ferrule only,1/4 x 5/32 inch tube,for RKK fitting 17-2503RK.....	1.50
17-2504	Fitting,elbow,1/8 PT(Rc,BSPT) male x 4x6 tube,PP,RKK type.....	12.00
17-2550RK	Fitting,1/4 tube x 1/8 NPT male,brass	14.00
17-2593RK	Insert,flex tube,1/4x.17,Brass	2.20
17-3510RK	Elbow,1/4 OD tube x 1/8 NPT male,SS	58.00
17-4410RK	Fitting,reducer,3/16 to 1/8 Tubing	0.50
17-4430RK	Fitting,reducing tee,3/16 inch x 3/16 inch x 1/8 inch,polypropylene	2.00
17-4430RK-01	Bypass tee probe w/GX-7 quick disconnect,for GX-2003 / GX-2012/Gas Tracer purge sampling	22.00
17-4435-01	Bypass tee probe with 1641 male quick disconnect for Eagle purge sampling	16.00
17-4710	Sample port plug, barbed for SDM-6000 inlet ports	5.60
17-4807RK	Inlet fitting, plastic for Br2/F2/HCl/HF/CLO2/O3 EAGLES	4.00
17-4809RK	Ftg.,1/4 tube x 1/8 NPT male	3.60
17-5010RK	Hose Coupler, Male, Inlet, Calibration Station, Eagle 2	38.00
18-0001RK	Reducer,3/4 NPT male x 1/2 NPT female,xplprf.....	6.00
18-0003RK	Conduit plug, 3/4",for Class I, Groups A,B,C,&D	8.60
18-0006	Reducer,3/4 NPT male x 1/2 NPT female,30 mm hex,explosion proof,ATEX type	38.00
18-0011	Reducer,3/4 NPT male x 1/2 NPT female,28 mm hex,explosion proof,ATEX type	31.00
18-0050RK	Cable bushing,for .13-.25 cable	14.00
18-0051RK	Cable bushing,for .25 - .38 cable	20.00
18-0051RK-01	Cable grip with reducer for AC power cord	28.00
18-0058RK	Cable bushing,for .31 - .56 diameter cable,steel,for 3/4" conduit hub	17.00
18-0061RK	Cable bushing,for .125 - .375 diameter cable,steel,for 3/4" conduit hub	32.00
18-0107RK	Conduit hub,3/4",w/gnd Screw	25.00
18-0123RK	Conduit nut,locking,3/4	1.00
18-0200RK	Cable gland,for 7 - 12 mm OD cable,Ni plated brass,3/4 NPT	80.00
18-0350RK	Duct mounting adapter with 1/2" NPT thread	16.00

Numerical Index

Part#	Description	Suggested Retail
18-0351RK	Duct mounting adapter with 3/4" NPT thread	28.00
18-0400-20	Cover,for XIHSCFC3 grey (18-0400RK)	32.80
18-0400-21	Cover with O-ring,for XIHSCFC3 grey (18-0400RK)	42.00
18-0400RK	J-box,GRP B, ADA#XIHSCFC3,grey	100.00
18-0400RK-01	Junction box, with spacers (Aluminum)	110.00
18-0400RK-02	Junction box, with spacers (Aluminum) and terminal strip	100.00
18-0405RK-01	J-box w/o lid, machined for xmtrs	250.00
18-0406RK	J-box lid,standard blank,for Killark HKB.....	220.00
18-0416RK-11	Junction box w/cover,2 port,stainless steel	220.00
18-0417RK-11	Junction box with cover,4 port,stainless steel	240.00
18-0431-01-01	Junction Box,3 port,Alum,Cooper C Hinds,EIH 21 Series,tapped for M2/M2A, with foam pad	400.00
20-0110-02	Case for GX-6000 plus hose & probe, charger, AC adapter, and manual	120.00
20-0110-03	Case with foam for GX-3R, AC adapter, cal cup, bump cylinder, and manual	95.00
20-0110RK-01	Case for 1-3 cylinders,17/34L/34AL, with foam.....	120.00
20-0111RK-01	Case for 3 cylinders with foam, 58AL/103L	180.00
20-0112-04	Case for GX-6000 plus hose & probe, charger, AC adapter, one cylinder cal kit, and manual.....	165.00
20-0112RK-01	Padded carrying case for GX-3R, GX-3R Pro, or GX-2009 aspirator kit	120.00
20-0112RK-02	Padded carrying case for GX-3R, GX-3R Pro, or GX-2009, aspirator, and cal kit.	190.00
20-0112RK-03	Case with foam, for GX-2003 with accessories & cal kit with one cylinder	200.00
20-0114-03	Case for GX-6000 plus hose & probe, charger, AC adapter, two cylinder cal kit, and manual.....	260.00
20-0114RK-01	Case with foam, for GX-2003 with accessories & cal kit with 2 cylinders	220.00
20-0114RK-02	Case with foam for cal kit with 4 cylinders	250.00
20-0115RK-01	Padded carrying case for one GX-3R, GX-3R Pro, GX-2009 or 03 series instrument and charger only	80.00
20-0116	Case with foam, generic for small portable instruments including 03/04 Series/GX-3R/GX-3R Pro/GX-2009	18.00
20-0121RK	Case for 2 Cylinders, 58AL/103L.....	64.00
20-0281RK	Carrying case, leather for GX-8000/RX-8000	220.00
20-0322RK	Rubber boot for SC-01 & OX-07	20.00
20-0324RK	Protective cover for GX-2009, vinyl	36.00
20-0325	Rubber boot for 03 or 04 series	14.00
20-0326	Rubber protective boot for GX-6000, black	36.00
20-0327	Carrying case with shoulder strap for NC-1000	98.00
20-0328	Protective rubber boot for SP-220.....	62.00
20-0330	Pouch set for 3 scrubbers,FI-8000	90.00
20-0332	Rubber boot for GX-3R	18.00
20-0335	Rubber boot for GX-3R Pro.....	18.00
20-0640RK	Carrying case, padded for EAGLE/EAGLE 2 & RX-415/RI-415, with space for instruments and accessories	500.00
20-0642RK	Carrying case, padded for EAGLE / EAGLE 2 instrument with space for calibration kit and accessories ...	580.00
20-0643-01	Black case w/pluck foam, UK821, plucked for AirLink 9100, AirLink 6900, and Air Alert demo	485.00
21-0254	Sun-shade cover with bracket for pipe mounting for SD-1	260.00
21-0255	Weather proof cover,box type,GD-A80	220.00
21-0256-SS	Weatherproof Cover,round type,304 stainless steel,GD-A8/A8V	395.00
21-0401	Housing, polycarbonate with clear cover for up to 4 MTL5500 series barriers	400.00
21-0402	Housing, polyester with clear cover for up to 10 MTL5500 series barriers	1,440.00
21-0498RK-07	Housing,24-0498RK,machined for 35-3001.	420.00
21-0500RK-01	Case,Machined for Beacon 410A,Beacon 800	560.00
21-0506RK-01	Housing,machined for Beacon 200	480.00
21-0506RK-02	Housing,machined for Beacon 200 rig monitor w/strobe/horn.	520.00
21-0539	Housing,weatherproof,304 stainless steel,for GD-K88Ai	680.00
21-0601RK	EAGLE Top case, RF sprayed	80.00
21-0601RK-02	Top case,EAGLE,for loud buzzer, case only	80.00
21-0610RK	Top case assembly, standard EAGLE, complete	675.00
21-0610RK-01	Top Case,Eagle,no PC Board or Connectors,CSA label	150.00
21-0610RK-05	Top Case,Eagle,no PC board/connector,CSA/UL label	150.00
21-0611RK	Bottom case assembly,EAGLE, standard 4 gas (no sensors)	1,140.00
21-0611RK-16	Bottom case, EAGLE without flow system/fittings/bracket, standard (no sensors).....	220.00
21-0611RK-16IR	Bottom case, EAGLE,without flow system/fittings/bracket,IR (no sensors)	240.00
21-0611RK-NSB	Bottom case assy,Eagle,no sensors/analog PCB	780.00
21-0640RK	Assy,Top Case,Eagle 2.....	480.00
21-0640RK-01	Assy,Top Case,Replacement,w/Handle/Labels/Strap Rings,Eagle 2.....	260.00
21-0641RK-04	Assy,Bottom Case,Replacement,w/o Flow System and Inlet Fitting,Eagle 2	310.00
21-0642RK	Battery enclosure for EAGLE 2, (batteries not included)	160.00

Numerical Index

Part#	Description	Suggested Retail
21-1062RK	Battery cover for the GX-2003	18.00
21-1075	Top Cass assembly,for OX/EC/GM-600 remote case	26.50
21-1076	Upper case,with window and button label,OX-600	50.00
21-1077	Lower case,OX-600	11.00
21-1078	Sensor cover,OX-600	44.40
21-1079	Power supply case,EC-600,OX-600,RI-600	3.60
21-1140	LCD Module for GP-1000 & NC-1000	50.00
21-1799	Front cover with display window label for SC-8000	53.00
21-1800	Main case assembly,GX-8000	240.00
21-1804	Front cover w/display window label,GX-8000	68.00
21-1807RK	Charcoal filter knob,GX-8000	3.80
21-1808RK	Charcoal filter case (lid) for GX-8000/RX-8000	3.80
21-1809	Filter case with nipple for tobacco filter on GX/RX-8000/RX-8700	3.80
21-1810	Front cover w/display window label,RX-8000	66.00
21-1811	Tube for oxygen sensor,RX-8000	8.95
21-1812	Sensor cover,GX-8000	12.50
21-1823RK	Sensor filter retainer, GX-2001	24.00
21-1824RK	Sensor retainer (outer section), GX-2001	38.00
21-1828RK	Bottom case,plastic,RP-6	4.50
21-1829RK	Battery cap for RP-6 pump	6.00
21-1832RK	Filter holder, clear plastic, RP-6	7.00
21-1833RK	Filter holder, clear plastic, RP-3R/RP-2009/GX-2003/GX-2012/Gas Tracer/GX-6000	12.80
21-1834RK	Sensor cap for GasWatch 2.....	2.80
21-1840RK	Bottom case assy,orange,GW-2H	24.00
21-1855RK	Battery contact assembly for battery cover, -01 series	9.00
21-1857RK	Filter holder (for CO and LEL sensors), GX-2003	11.60
21-1858RK	Sensor cap, with flow chamber, GX-2003	96.00
21-1859RK	Top cover assembly, GX-2003	48.00
21-1861RK	Rear case assembly with battery springs, cover knob, and gasket, GX-2003	100.00
21-1875RK	Battery cover for SC-01 & OX-07	26.00
21-1876RK	Sensor retainer with rubber guard and o-rings for SC-01 & OX-07	70.00
21-1877RK	Upper case assembly w/switch overlay,SC-01	55.00
21-1878RK	Bottom case assembly w/label for battery orientation,SC-01	40.00
21-1880RK	Front case, GX-2009	57.00
21-1881RK-ATEX	SEE APPLICATIONS,Case,rear,with ATEX label,GX-2009	94.00
21-1881RK-CSA	Case,rear,with CSA label,GX-2009	94.00
21-1882RK	Sensor retainer, GX-2009 (inner piece)	28.00
21-1883RK	Sensor case with PCB assembly, GX-2009	70.00
21-1884RK	Sensor cover, GX-2009 (outside piece)	10.00
21-1885RK	Sensor cap assembly, GX-2009 (8 parts)	68.00
21-1887RK	Top case,BC-2009	6.00
21-1888	Lock lever,plastic,for locking battery pack to case,GX-2012/Gas Tracer	1.00
21-1889RK	Main case assembly, GX-2012	154.00
21-1890RK	Top cover assembly, GX-2012/Gas Tracer	76.00
21-1891RK	Main case assembly, Gas Tracer	154.00
21-1892RK	Sensor cap assembly, GX-2012/Gas Tracer	76.00
21-1893	Buzzer cover,ESC9448N black,GX-2012/Gas Tracer	4.00
21-1894	Stopper plate,for lock lever,304 SS,GX-2012/Gas Tracer	2.00
21-1895RK	Battery cap for RP-2009 pump	10.60
21-1896RK	Main case assembly, RP-2009.....	51.00
21-1897RK	Top case assembly, RP-2009	18.00
21-1898RK	Sensor adapter assembly for sensor chamber, RP-2009	10.60
21-1908	Battery compartment cover for 03 series	5.40
21-1909	Battery contact holder for 03 series	3.00
21-1910	Rear case for GP-03 and OX-03	16.00
21-1911	Rear case for CO-03 and HS-03	16.00
21-1913	Front case assembly for 03 series	20.60
21-1915RK	Window plate,RX-415.....	15.60
21-1919	Window,for RX-517 case.....	15.60
21-1926	LCD protection film for instrument display for GX-6000, GP-1000, & NC-1000	5.40
21-1926-01	LCD protection film for instrument display, pack of 5 for GX-6000, GP-1000, & NC-1000	30.00

Numerical Index

Part#	Description	Suggested Retail
21-1927	Mounting plate for instrument removal, for OX-600/EC-600/RI-600	10.00
21-1928	Case assy,front,GX-6000	160.00
21-1929	Protection case, L1225L, black, for GX-6000	2.00
21-1931	Sensor flow chamber (sensor cover) assembly for GX-6000.....	65.00
21-1933	Body case assembly for GX-6000	1,300.00
21-1935	Panel cover for side fittings of SDM-6000	7.45
21-1936	Filter case, IP252BR1, for NC-1000	18.00
21-1937	Top cover assembly for NC-1000	178.00
21-1940	Battery lid for FP-31, GP-1000, & NC-1000.....	5.40
21-1941	Batter lid locking plate for FP-31, GP-1000,& NC-1000	2.00
21-1942	Top case assembly for FP-31	68.00
21-1944	Chamber assembly,SDM-6000	266.00
21-1945	Case,body,SDM-6000	178.00
21-1946	Case,back,SDM-6000	45.00
21-1947	Front cover with labels,GD-70D.....	27.00
21-1948	Button,instrument cover release,SDM-03	2.80
21-1949	Side cover,gray,GD-70D	9.00
21-1950	LCD protection film for GX-3R/GX-3R Pro	6.00
21-1950-05	LCD protection film for GX-3R/GX-3R Pro, pack of 5	30.00
21-1955	Sensor retainer, for GasWatch 3	2.80
21-1956	Battery retainer, for GasWatch 3	2.80
21-1957	Battery cap assembly , for RP-3R / RP-3R Pro.....	20.60
21-1958	Spacer,clear,for RP-3R filter chamber.....	1.80
21-1959	Side fittings cover,SDM-3R	5.40
21-1960	Bottom cover (sensor cap),GX-3R Pro	9.80
21-1961	Sensor retainer,GX-3R Pro	4.40
21-1962	Bottom cover (sensor cap), GX-3R	10.00
21-1963	Sensor retainer, GX-3R	3.60
21-1965	Triple chamber,for RP-3R	21.00
21-1966	Instrument retaining arm,red,SDM-3R	5.40
21-1967	Rear case assembly with Li-Ion battery for GX-3R.....	210.00
21-1968	Front case with overlay for GX-3R	48.00
21-1969	4-chamber assembly, includes chamber gasket/filter holder, filters & filter gasket/screws	42.00
21-1970	3-chamber assembly, includes chamber gasket/filter holder, filters & filter gasket/screws	39.00
21-1971	Sensor case assembly with sensor PCB,GX-3R	115.00
21-1972	Sensor holder for OX-600	5.00
21-1977	Front case with overlay for GX-3R Pro	54.00
21-1981	Front case assembly, includes charging port cover, label, GX-Force	55.00
21-1982	Back case assembly, includes captive screws (does not include filter/inlet port), GX-Force	27.00
21-1983	Sensor retainer, GX-Force	8.00
21-1984	White chassis for battery and pump, GX-Force	4.00
21-3015RK	Mounting Panel,power supply,Beacon 200	16.40
22-0250RK	Blank panel plate, RM-580	15.00
22-0252RK	Blank plate panel for RM-5000	18.00
23-0306	Cart stand for AirLink 6940	825.00
24-5000RK	Flexible printed circuit (FPC), GX-2009	18.00
25-0032RK	Cap,CT-7 sensor,non expl prf	17.00
29-0024RK	Label,service/cal date,generic	1.40
29-0035RK	Label,overlay,display,Eagle	8.95
29-0041RK-01	Label,Buzzer/LED,CSA/NRTL,Eagle	10.00
29-0041RK-02	Label,Buzzer/LED,UL/CSA,Eagle.....	10.00
29-0048RK	Label,serial no.,Eagle	1.50
29-0049RK	Label,Battery arrangement,Eagle	0.80
29-0050RK	Label,CH4 elim. Switch,Eagle.....	8.40
29-0052RK	Label,battery charger,Eagle	1.20
29-0084RK	Label,overlay,Beacon 800	32.00
29-0089RK	Label,flow block,H2S/CO,Eagle	1.00
29-0145RK	Label,door overlay,Beacon 200	18.00
29-0176RK-02	Label,serial number,Beacon 200 rig monitor.	1.75
29-0232RK	Label,display,M2 Transmitter	2.00
29-0338RK	Label, switches, EAGLE 2	10.00

Numerical Index

Part#	Description	Suggested Retail
29-0339RK	Label, display overlay, EAGLE 2	12.00
29-0449RK	Label, door overlay, 35-3001 SD Housing	24.00
29-0469RK	Label, Beacon 110 , Quick Reference for Menus	2.00
29-0470RK	Label, Beacon 200 , Quick Reference for Menus	1.20
29-0486RK	Label, OLED display, M2A Transmitter.....	3.00
29-0597	Label, OX-600 name, front case, OX-600	2.00
29-0645-01	Label set, case sensor and model(GX-2009), CH4/O2/H2S/CO, Type A, GX-2009	1.50
29-0645RK	Label, case sensor, LEL/O2/H2S/CO, Type A, GX-2009	1.60
29-0648RK	Label, control panel, RP-2009	7.50
29-0652	Label, front for GP-03	6.00
29-0653	Label, front for OX-03	6.00
29-0654	Label, front for CO-03	6.00
29-0655	Label, front for HS-03	6.00
29-0661	Label, Gas Alarm	3.20
29-0692	Label, case sensor, LEL/Oxy/NO2/CO, GX-2009	8.00
29-0699	Sensor case label for GX-3R Pro, Toxic 2 / LEL / O2 / Toxic	1.00
29-0700	Sensor case label for GX-3R Pro, CO/H2S / LEL / O2 / Toxic	1.00
29-0714	Label, case sensor, CO/H2S LEL O2, GX-3R Pro	1.00
29-0715	Label, 3 gas, case sensor, CO, LEL, O2, GX-3R	1.00
29-0818	Label, 4 gas, case sensor, CO/H2S, LEL, O2, GX-3R	1.00
29-5000RK	Label, Membrane Switch, EAGLE	16.00
29-5500	Tag set, 2.50 x 1.00 tag size with mounting holes, 316 SS, tag quantity and characters defined by P.O.	20.00
29-6100	Water immersion sensing seal, adhesive backed for 03 series, GX-6000, SP-220, and GX-Force	10.00
30-0001RK	Pump with no cable for FP-85, FP-30, and FP-40	200.00
30-0002RK	Pump, w/cable and connector, CP201A-1A, SM-2009/SDM-2009	260.00
30-0015RK	Pump replacement for RP-6 or GX-2003	135.00
30-0017RK	Pump assembly for RI-415	380.00
30-0019RK	Pump assembly for RX-415	240.00
30-0020RK	Pump with cable and connector, RX-515/RX-516/RX-517, CP-201A	360.00
30-0022RK	Pump replacement for GX-2012/Gas Tracer/RP-3R/RP-2009/GX-6000/FP-31/NC-1000, with cable and connector	140.00
30-0023RK	Pump with cable and connector, RP-11, for GX-8000/RX-8000/SC-8000	350.00
30-0024	Pump, RP-60, for GD-D58	240.00
30-0034	Pump, GS-6EA	1,020.00
30-0039	Pump, MV-20B-D AC100V EMP, for SM-6D, 100 VAC	440.00
30-0040	Pump, 20DNS-DD5, 100 VAC	720.00
30-0311RK	Pump diaphragm only, for RP-6 or GX-2003	26.00
30-0402	Aspirator bulb w/tubes, with rubber high performance check valve on exhaust side	10.00
30-0522RK	Inlet fitting, standard, metal, quick disconnect, female, EAGLE/1641/GX-4000A	38.00
30-0522RK-01	Retrofit kit, Eagle super toxic to std inlet ftg	50.00
30-0600RK-01	Pump, internal, with connector, EAGLE/EAGLE 2/RP-GX-94	200.00
30-0608RK	Pump rebuild kit, for 30-0600RK-01 (pump version 7.51.82) (current standard)	50.00
30-0610RK	Replacement pump for 35-3010, 24VAC	220.00
30-0611RK	Rebuild kit, head/diaphragm/gasket, for 30-0610RK	38.00
30-0901RK	Aspirator, Air-Vac AVR062 M, 1/8 NPT	98.00
30-0903RK	Aspirator, Air-Vac AVR112H, 1/8 NPT	76.00
30-0951-CSA	Sample drawing adapter, aspirator, CSA LEL (w/o sensor)	540.00
30-0951-CSA-01	Flow through adapter, CSA LEL, chamber & brass ftgs only	180.00
30-0951-CSA-01S	Flow through adapter, CSA LEL, chamber & stainless steel ftgs only	210.00
30-0951-CSA-02	Flow through adapter, CSA LEL, chamber w/flowmeter & tube fittings	320.00
30-0951-CSA-03	Flow through adapter, LEL, chamber w/flowmeter w/valve & tube fittings	360.00
30-0951-IR-03	Flow through adapter, IR, chamber, without tube fittings	160.00
30-0951-OC-03	Flow through adapter, Oxy or CO, chamber w/flowmeter w/valve & tube fittings	360.00
30-0951-ST	Sample drawing adapter, aspirator for super toxic sensors (sensor sold separately)	950.00
30-0951-ST-01	Flow through adapter for super toxic sensors (Series 7), chamber and fittings only	520.00
30-0951RK	Sample drawing adapter with aspirator, LEL (sensor sold separately)	550.00
30-0951RK-01	Flow through adapter, LEL, chamber and fittings only	180.00
30-0951RK-01SS	Flow through adapter, LEL, chamber & stainless steel ftgs only	210.00
30-0951RK-02	Flow through adapter, LEL, chamber with flow meter and fittings only	320.00
30-0951RK-03	Flow through adapter, LEL, chamber with flow meter, valve and tube fittings	360.00
30-0951RK-03SS	Flow through adapter, LEL, chamber w/flowmeter w/valve & SS tube fittings	610.00

Numerical Index

Part#	Description	Suggested Retail
30-0951RK-H2S	Sample drawing adapter, air aspirated, for use with NPT style sensor for Hydrogen Sulfide (H2S) (sensor sold separately)	610.00
30-0951RK-HS-01	Flow through adapter, H2S, chamber and fittings only	210.00
30-0951RK-HS-02	Flow through adapter, H2S, chamber, flow meter and fittings only	570.00
30-0951RK-HS-03	Flow through adapter,H2S,chamber w/flowmeter w/valve & tube fittings.....	610.00
30-0951RK-IR	Sample drawing adapter, air aspirated for IR (sensor sold separately)	550.00
30-0951RK-IR-01	Flow through adapter, IR sensors, chamber and fittings only	180.00
30-0951RK-IR-02	Flow through adapter, IR sensors, chamber with flow meter and fittings only	320.00
30-0951RK-IR-03	Flow through adapter, IR sensors, chamber with flow meter, and valve with fittings.....	360.00
30-0951RK-IR01S	Flow through adapter,IR,chamber and SS fittings only	220.00
30-0951RK-O2/CO	Sample drawing adapter, air aspirated for Oxygen or Carbon Monoxide (sensor sold separately)	550.00
30-0951RK-OC-01	Flow through adapter, O2/CO, chamber and fittings only	180.00
30-0951RK-OC-02	Flow through adapter, O2/CO, chamber, flow meter and fittings only	320.00
30-0952RK	Sample cup with regulator & flowmeter, toxic sensor (H2S/CO)	340.00
30-0954-201-CSA	Aspirator Adapter,Plate Mounted,w/flow switch for one CSA LEL sens in 18-0431RK/18-0432RK J-Box	3,600.00
30-0954-209-01	Aspirator adapter plate,30-0954RK-209 with dryer	4,900.00
30-0954-210	Aspirator Adptr,Plate Mounted,w/flow switch for oxy/tox & 2 IR sens in 18-0431RK/18-0432RK	4,000.00
30-0954-263-01	Aspirator Adapter,Plate Mtd,w/flow switch for Beacon 110 & CO det,w/data logger & horn/strobe	5,700.00
30-0954-265-01	Aspirator Adapter,Plate Mounted,w/flow switch/Beacon 110/IR CH4 LEL in 18-0416RK j-box	5,500.00
30-0954-2XX	Aspirator panel for three M2A transmitters, specify gas combination, with flow switch	3,800.00
30-0954-605-02	Aspirator adapter in NEMA 4X stainless steel housing with 65-2649RK-CH4	9,800.00
30-0954RK-104	Aspirator Adapter,Plate Mtd,w/out flow switch for two oxy/tox sens in 18-0431RK/18-0432RK J-Box ...	3,600.00
30-0954RK-201	Aspirator panel for one LEL M2A transmitter, with flow switch	3,600.00
30-0954RK-202	Aspirator panel for two LEL M2A transmitters, with flow switch	3,900.00
30-0954RK-203	Aspirator panel for one oxygen or toxic M2A transmitter, with flow switch	3,600.00
30-0954RK-204	Aspirator panel for two oxygen or toxic M2A transmitters, with flow switch	3,900.00
30-0954RK-205	Aspirator panel for one IR M2A transmitter, with flow switch	3,600.00
30-0954RK-206	Aspirator panel for two IR M2A transmitters, with flow switch	3,900.00
30-0954RK-207	Aspirator panel for one LEL and one oxygen or toxic M2A transmitter, with flow switch	3,900.00
30-0954RK-208	Aspirator panel for one LEL and one IR M2A transmitters, with flow switch	3,900.00
30-0954RK-209	Aspirator panel for one oxygen or toxic and one IR M2A transmitters, with flow switch	3,900.00
30-0954RK-209D	Aspirator panel for one H2S and one IR M2A transmitters, with dilution fitting for H2S and flow switch	4,300.00
30-0954RK-221	Aspirator panel for one LEL Direct Connect or S2 transmitter, with flow switch.....	3,300.00
30-0954RK-222	Aspirator panel for two LEL Direct Connect or S2 transmitters, with flow switch	3,600.00
30-0954RK-223	Aspirator panel for one oxygen or toxic Direct Connect or S2 transmitter, with flow switch	3,300.00
30-0954RK-229	Aspirator panel for one oxygen or toxic and one IR Direct Connect or S2 transmitters, with flow switch	3,600.00
30-0954RK-261	Aspirator panel for one LEL Direct Connect or S2 transmitter, with flow switch.....	3,600.00
30-0954RK-263	Aspirator panel for one oxygen or toxic Direct Connect or S2 transmitter, with flow switch	3,600.00
30-0954RK-264	Aspirator panel for two oxygen or toxic Direct Connect or S2 transmitters, with flow switch	3,900.00
30-0954RK-265	Aspirator panel for one IR Direct Connect or S2 transmitters, with flow switch	3,600.00
30-0954RK-266	Aspirator panel for two IR Direct Connect or S2 transmitters, with flow switch	3,900.00
30-0954RK-267	Aspirator panel for one LEL and one oxygen or toxic Direct Connect or S2 transmitter, with flow switch	3,900.00
30-0954RK-268	Aspirator panel for one LEL and one IR Direct Connect or S2 transmitters, with flow switch.....	3,900.00
30-0954RK-269	Aspirator panel for one oxygen or toxic and one IR Direct Connect or S2 transmitters, with flow switch	3,600.00
30-0954RK-281	Aspirator panel for one T2A, T3A, or VOC Pro with flow switch	3,600.00
30-0954RK-281ST	Aspirator Adapter,Plate Mounted,w/flow switch for one T2A/T3A/VOC Pro,super toxic type	3,600.00
30-0954RK-282	Aspirator panel for two T2A, T3A, or VOC Pro heads with flow switch.....	3,900.00
30-0954RK-282ST	Aspirator panel for two T2A, T3A, or VOC Pro heads, super toxic type, with flow switch	3,900.00
30-0954RK-283	Aspirator panel for one LEL M2A and one T2A, T3A, or VOC Pro with flow switch	3,900.00
30-0954RK-284	Aspirator panel for one oxygen or toxic M2A and one T2A, T3A, or VOC Pro heads with flow switch ...	3,900.00
30-0954RK-285	Aspirator panel for one M2A with 3/4 NPT IR detector, and one T2A, T3A, or VOC Pro head	3,600.00
30-0954RK-405	Aspirator Adapter,in NEMA 4X enclosure w/ flow switch,one IR,in 18-0431RK/18-0432RK J-box	7,000.00
30-0954RK-463	Aspirator Adapter,in NEMA 4X enclosure w/ flow switch,one OXY/Toxic,in 18-0416RK J-box	7,000.00
30-0960	Sample drawing adapter for T2A/T3A/VOC Pro/AirLink products with aspirator and brass fittings	550.00
30-0960-01	Flow through adapter for T2A/T3A/VOC Pro/AirLink products with brass fittings only	180.00
30-0960-02	Flow through adapter for T2A/T3A/VOC Pro/AirLink products with flow meter and brass fittings	320.00
30-0960-02-1	Flow through adapter,chamber w/1 LPM flowmeter & tube fittings,T2A/T3A/VOC Pro/AirLink transmitters	360.00
30-0960-03	Flow through adapter for T2A/T3A/VOC Pro/AirLink products with flow meter, valve, and brass fittings...	360.00
30-0965	Aspirator adapter, sample draw for SD-1, Acetylene (C2H2) solvent gases / corrosive gases	850.00
30-1002	Pump head,for MV-11R	180.00
30-1004RK	Pump,MV-11R,115VAC, GD-D8/D8V	180.00

Numerical Index

Part#	Description	Suggested Retail
30-1005RK	Diaphragm assembly,for MV-11R	40.00
30-1006RK	Pump,MV-11R,100VAC,GD-D8/D8V	440.00
30-1011RK	Valve/diaphragm assy,complete, for MV-10R, GD-K8DG/GD-K11D	38.00
30-1016RK	Replacement pump for 35-3001/GD-K7D2/GD-K77D/1017, 24 VDC,with connectors & cable, RP-D24A-1	150.00
30-1017RK	Pump,MV-11R-2,24 VAC,GD-D8DC	480.00
30-1018RK	Pump replacement for GD-K71D, 24 VAC, RP-D24S	120.00
30-1019RK	Pump rebuild kit, for 35-3001/35-3010	55.00
30-1020RK	Pump, RP-70 for GD-70D	55.00
30-1022RK	Diaphragm/flapper valve/pump head w/chopping plate,for RP-D24A-1 pump (30-1015RK)	55.00
30-1040RK	Pump,for FP-250A/FP-260, MV-600G-A	260.00
30-1053RK	Vibration motor, GX-2003/GX-2012/Gas Tracer.....	32.00
30-1054RK	Vibration motor for the GX-2009 and GX-6000	32.00
30-1055	Vibration motor for 03 series	20.00
30-1056	Vibration motor,04 Series,GX-3R,GX-3R Pro	36.00
31-0003RK	Flowmeter .2 - 2 SCFH, Dwyer	60.00
31-0019RK-01	Flowmeter, .05-.5 SCFH, with valve, SS fittings,with label,for Digester H2S dilution sample	114.00
31-0020RK	Flowmeter,0-1 lpm,teflon,P-715,w/4x6 mm tube ftgs	320.00
31-0020RK-01	Flowmeter,0-1 lpm,teflon,P-715,with 6 mm OD tube push fittings	300.00
31-0022RK	Flowmeter,0.2 - 1.0 SCFH,w/valve,SS ftgs	120.00
31-0023RK	Flowmeter, 0.2 - 2.0 SCFH, stainless steel ftgs, with valve	120.00
31-0023RK-01	Flowmeter,0.2 - 2.0 SCFH,w/valve,w/male 1641 quick disconnect,for Eagle flow measurements	140.00
31-0023RK-02	Flowmeter, 0.2 - 2.0 SCFH, with valve and hose barb fitting for GX-2012 / GX-6000 flow measurement ...	180.00
31-0023RK-03	Flowmeter,0.2 - 2.0 SCFH,w/valve,w/ label, for Digester H2S dilution air	130.00
31-0025RK	Flowmeter,1-10 SCFH,1/8 FNPT stainless ftgs,w/o valve	80.00
31-0030RK	Flowmeter, 0.6 - 5 SCFH, stainless steel ftgs,1/8 NPT,without valve	80.00
31-0030RK-01	Flowmeter,.6 - 5 SCFH,SS ftgs,1/8 NPT,without valve,with label,for Digester sensors flow.....	110.00
31-0032	Flowmeter,0-.43 SCFH air,65mm scale,w/valve,SS ftgs,glass float	780.00
31-0032-01	Flowmeter,0-.43 SCFH air,65mm scale,w/valve,SS ftgs,glassfloat,w/H2S dilution sample label,Digester ...	760.00
31-1001RK-01	Flow meter column (glass and ball) only,for 31-1001RK/GD-K7D2/GD-K71D/GD-K77D	80.00
31-1002RK	Flowmeter assembly for FP-301	280.00
31-1011-01	Flow sensor for GD-70D	120.00
31-1013	Flow sensor,FL-5,for GD-D58	280.00
31-2045	Pressure transducer,9.81 kPa,Copal P-2000-101G-15-BM.....	36.00
31-2050ARK	Terminal,QC FOR 31-2050RK	1.00
31-2050RK	Sensor, pressure differential for EAGLE, 0 - 10 mm H2O	42.00
31-2055RK	Sensor,pressure,0-100mm H2O	60.00
31-2056RK	Sensor,pressure,0-100mm H2O,(Normally closed.)	60.00
31-2062RK	Flow switch,1.589 SCFH,NO,acrylic,1/8 NPT fem	160.00
31-3000RK	Regulator,pressure,w/gauge,300 psi in/5-50 psi out	110.00
31-3002-01	Regulator, 1/4 NPT ports,150 psi max input, 0-0.5 psi output with INCREASE label, Digester	960.00
31-3100	Pressure gauge,replacement for demand flow regulator,0-1000 PSI scale	30.00
32-0021RK	Valve,spool,3-way,1/8 NPT fem,moment push button,brass,nickle plated	72.00
32-0021RK-01	Push button,captivated, valve stem 3/16 DIA,black,brass housing,nickel plated	8.00
32-0031RK	Valve,mechanical air,3-way,2-Position,1/4 NPT 3-port,lever actuated,aluminum body	98.00
32-0031RK-01	Valve with hose barbs and sample tube for two cylinders to connect to a single calibration station gas port	140.00
32-0209RK	Solenoid Valve, 3-Way, multi-purpose,1/8 NPT Female, 24 VDC, stainless steel	148.00
32-0209RK-01	Solenoid Valve,3-Way,Multi-Purpose,1/8NPT Female,24VDC, SS, with label, for Digester	148.00
32-0210RK	Solenoid Valve, 2-Way, Normally Closed, 1/8 NPT Female, 24 VDC, stainless steel	220.00
32-0217	Solenoid Valve,3-Way,304 stainless steel,Multi-Purpose,12VDC,0.5 Watt	160.00
32-0219	Solenoid valve with cable and connector,11-15-3-SV-12F88,SDM-6000	263.00
32-0220	Solenoid valve assembly, with PCB/cable/gasket, for SDM-3R	150.00
32-0220-DUMMY	Dummy solenoid valve with gasket,for SDM-3R	10.00
32-0221-02	Solenoid Valve for Digester inlet, EPDM and polypropylene with label	600.00
32-0221-03	Solenoid Valve for Digester inlet, EPDM and polypropylene,retrofit kit to replace SS valve	620.00
32-0300	Flapper valve,for GS-6EA pump	22.00
32-0501RK	Check Valve, 1/8 Barb x 1/8 Barb, PP body, EPDM O-ring, .07 PSI cracking pressure	24.00
32-0502RK	Check Valve,3/16 Barb x 3/16 Barb,PP Body,EPDM O-Ring,.11 PSI Cracking Pressure,SS Spring	16.00
32-0504RK	Check Valve,5/16 Barb x 5/16 Barb,PP Body,EPDM O-Ring,.11PSI/Cracking PressureSS/spring	17.00
33-0151RK	Hydrophobic filter, .2 um, 1/8 NPTM, ACRO-50	50.00
33-0153	Filter disks, teflon for SP-220, pack of 5	10.00

Numerical Index

Part#	Description	Suggested Retail
33-0156RK-01	Replacement hydrophobic filter element for probe, (pack of 5), EAGLE / EAGLE 2 probe	14.00
33-0156RK-100	Replacement hydrophobic filter element for probe (pack of 100), EAGLE / EAGLE 2 probe	200.00
33-0157RK	Waterproof cover for sensors, with adhesive back, for diffusion EAGLE	4.50
33-0159-100	Filter disks,teflon,RP-6/RP-2009GX-2003/GX-2012/Gas Tracer,100 pack (10 ten packs)	180.00
33-0159RK	Teflon filter disk, 10 pieces, RP-3R/RP-2009/RP-6/GX-2003/GX-2012/Gas Tracer/GX-6000/ NC-1000/GX-Force	24.00
33-0160RK	Dust filter, internal, plastic, GX-4000 / RX-415	2.40
33-0163RK	Filter,Balston DFU9933-05-DQ (light blue)	58.00
33-0164RK	Filter, oil mist removal, Balston, 9900-05-BK, EAGLE / EAGLE 2 / marine	50.00
33-0165RK	Filter, Millipore, PTFE, Disc type, hydrophobic, EAGLE, Fixed Systems	30.00
33-0165RK-01	Filter, Millipore, PTFE, disc type, hydrophobic with tubing, EAGLE, Fixed Systems	27.00
33-0166RK	Sensor cover, disc, 10 pack, GasWatch 2 / -01 series	18.00
33-0167RK	Filter, particulate, CF-8369	25.00
33-0169RK	Hydrophobic membrane,adhesive backed,for control panel face,RP-2009	5.40
33-0171RK	Filter replacement, AcroPak 300 with PTFE membrane, 0.2 um	200.00
33-0171RK-01	Filter, installed internally, AcroPak 300 with PTFE membrane,0.2 um	180.00
33-0171RK-02	Filter,AcroPak 300,added to Eagle,field installed	210.00
33-0172-100	Sensor Cover, water proof, sheet for 4 sensors, GX-2009, pack of 100 sheets	300.00
33-0172RK	Sensor Cover, water proof, sheet for 4 sensors, GX-2009, 1 each	6.00
33-0173RK	Filter, internal, hydrophobic, EAGLE 2	10.00
33-0174RK	Hydrophobic membrane,adhesive backed,for top of main case,RP-2009	5.40
33-0175	Hydrophobic filter, PF020 for 04 Series / 03 series / RP-2009/GasWatch 3	1.80
33-0176	Teflon sensor membrane disk for HCN and SO2 sensor filters for GX-6000 sensor face, adhesive backed ...	2.50
33-0177	Filter for OX-600 Remote Case	2.00
33-0178	Dust filter for SP-220, set of 5 pieces	18.00
33-0179	Hydrophobic filter for main case of GP-1000 & NC-1000	3.60
33-0180	Hydrophobic filter disk, for CF-8385, GX-8000/RX-8000, pack of 10	12.00
33-0183	Hydrophobic dust filter with integral gasket for sensors, GX-3R	15.00
33-0183-10	Hydrophobic dust filter with integral gasket for sensors, GX-3R, pack of 10	140.00
33-0184	Hydrophobic dust filter with integral gasket for sensors, GX-3R Pro	16.00
33-0184-10	Hydrophobic dust filter with integral gasket for sensors, GX-3R Pro, pack of 10.....	150.00
33-0185	Hydrophobic filter disk,PF060 16.6 mm,SC-8000	3.60
33-0401RK	Water Trap assembly with J - tube	620.00
33-0402RK	Water trap w/20 uM filter/threaded bowl,1/4 NPT, with 1/4-20 mounting holes on top of head	180.00
33-0402RK-01	Water trap w/threaded bowl,1/4 tube ftgs	200.00
33-0402RK-02	Water trap w/threaded bowl,1/4 tube SS ftgs	240.00
33-0403RK	Filter element,20 uM, for 33-0402RK	26.00
33-0413-12	Filter,Water Trap,5 micron element,polycarb bowl,fem 1/4"NPT,mod for internal Digester repl	130.00
33-0413RK	Filter,Water Trap, 5 micron element, Polycarbonate Bowl, Female 1/4"NPT	120.00
33-0413RK-02	Filter element, 5 micron,for parker filter 33-0413RK/33-0414RK	40.00
33-0413RK-10	Filter,Water Trap,5 micron element,polycarb bowl,female 1/4"NPT,mod for aspirator plate	120.00
33-0420RK-01	Filter element,replacement,for 33-0420RK	38.00
33-0421RK	Air filter assembly (ventilation),for Model RKK-2003K	76.00
33-0550RK	Buzzer Cover w/adh back,,5 dia,EAGLE	1.30
33-0553	Buzzer protection cover for GX-3R.....	6.00
33-0554	Buzzer protection cover for GX-3R Pro	6.80
33-0560-01	Electrode Stack for 10.6 (50 ppm sensor) & 11.7 eV lamps used in EAGLE 2, GX-6000, or VOC Pro (1 electrode)	110.00
33-0562	Electrode Stack for 10.6 eV lamp, 0-2,000/6,000 ppm for EAGLE 2, GX-6000, or VOC Pro, (1 electrode) ...	64.00
33-0563	Electrode Stack for 10.0 eV lamp, 0-100 ppm (50 ppm benzene) for GX-6000 or VOC Pro (1 electrode) ...	140.00
33-0601RK	Glass Bowl Only,1641 Moisture trap	10.00
33-1031RK	Cotton balls, filters for probe, bag of 25 (For 80-0150RK old style probe)	4.00
33-1036RK	Filter body, plastic, for 80-0150RK probe	6.00
33-1041RK	Rubber cup probe tip, for soil surveys	25.00
33-1050RK-01	Probe body,exhaust half,w/1/8 NPT female port	12.00
33-1050RK-02	Probe body,inlet half,w/1/8 NPT female port	12.00
33-1112RK	Wire mesh disk filter, RP-3R/RP-2009/RP-6/GX-2003/GX-2012/Gas Tracer/GX-6000/GX-Force, 10 pack ...	15.00
33-1113RK	Metal mesh filter for buzzer hole, GX-2009, 1 each	6.00
33-1200RK	Particle filter replacement, 5 microns, for new style EAGLE 2 probes (not for use with PID sensors).....	3.00
33-2001RK-01	Humidifier, 6" tube assembly for cal kits with 3/16" tubing on ends	130.00
33-2002RK-01	Humidifier, 24" for cal kits, with 3/16" tubing on ends, for EAGLE	340.00

Numerical Index

Part#	Description	Suggested Retail
33-2002RK-02	Humidifier, 24" tube assembly for cal kits with 3/16" ID tubing on ends	340.00
33-2100RK	Dryer, gas,w/12 inch long tube, polypropylene, Perma Pure MD-110-12P	560.00
33-2125	Dehumidifier filter,FI-8000	95.00
33-2125-01	Dehumidifier filter with tubing for 11.7 eV PID sensor, GX-6000	100.00
33-3000-01	Splash guard, gas in port (shower head) with 1/4" OD push-in tube fitting	55.00
33-3000RK	Splash guard,gas in port (shower head),w/8mm OD tube ftg	45.00
33-3001	Float type sampling head with hydrophobic filter (GSN-8)	75.00
33-3002	Splash guard, SPG-1 for SD-1GP/GH/RI	54.00
33-3003	Splash guard, SPG-1OX for SD-1OX	54.00
33-3004	Splash guard, SPG-1EC for SD-1EC	52.00
33-3013	Filter element, particle, polypropylene/polyethylene for GX-6000, GX-2012, Gas Tracer, GX-2001, GX-2003, RP-3R probe, (not for Cl2)	2.00
33-3013-10	Filter element, particle, polypropylene/polyethylene for GX-6000, GX-2012, Gas Tracer, GX-2001, GX-2003, RP-3R probe, (not for Cl2) pack of 10	20.00
33-3014RK	Dust/Tobacco filter, GX-8000/RX-8000/FP-31, pack of 10.....	5.00
33-3015RK	Filter, pleated paper type for 80-0182RK and 80-0211RK water trap	11.00
33-3016RK	Hydrophobic filter, replacement, GX-4000A	8.00
33-3050RK	MC filter w/Cartridge w/flow monitor	160.00
33-3050RK-SS	MC filter w/flow monitor,stainless steel	220.00
33-3051RK	Dust filter insert, pleated paper, MC filter with flow monitor	30.00
33-3051RK-SS	Dust fltr insert,SS,for MC fltr w/flow monitor	100.00
33-3052RK	Glass bowl only,for MC filter w/o flow monitor.....	40.00
33-3053RK	Glass bowl only,for MC filter with flow monitor	40.00
33-3054RK	Dust filter insert, pleated paper,MC filter without flow monitor	44.00
33-3054RK-SS	Dust fltr insert,SS,for MC fltr w/out flow monitor	54.00
33-3055RK	Filter,Heavy duty hydrophobic	42.00
33-3056RK	Filter with flow monitor, RI-415/NP-237H, quick connect/strt on ends	180.00
33-3057RK	Filter with flow monitor for RX-415, quick connect fittings on both ends	180.00
33-3058RK	Filter,waterproof,for filter tube,RX-515/516/517	8.00
33-3059RK	Filter tube with flow monitor, for RX-515/RX-516/RX-517	180.00
33-3060RK	Filter tube with cotton filter for GX-8000/RX-8000 (for GF-256 probe)	18.00
33-3061	Filter tube, with cotton, CF-8385, for GX/RX-8000	70.00
33-3062	Filter cartridge for mist separator	72.00
33-6010RK-01	CO2 Scrubber with fitting and tubing for standard EAGLE / EAGLE 2	90.00
33-6010RK-02	Scrubber,CO2, w/tubing,for super toxic inlet fitting EAGLE	86.00
33-6010RK-04	Scrubber,CO2,with 3/16 inch ID x 5/16 inch OD tubing stub	86.00
33-6011RK	H2S Scrubber, for SO2 EAGLE.....	66.00
33-6012RK	Scrubber,H2S,for fixed systems	70.00
33-6013RK	Scrubber,NO,w/Purafil & charcoal,w/hose barbs for 3/32 tubing	80.00
33-6014RK	Scrubber,NO,w/Purafil,w/hose barbs for 3/32 ID tubing	80.00
33-6014RK-01	Scrubber,NO,w/Purafil,w/hose barbs for 5/32 ID tubing	80.00
33-6015RK	CO2 scrubber, CF-283 for GX-3R Pro/GX-6000/RX-515/RI-85	56.00
33-6016RK	Filter, H2S scrubber, for NH3/SO2 Eagle versions	120.00
33-6017	H2S removal cartridge filter CF-8390	46.00
33-6018	CO2 scrubber,FI-8000	88.00
33-6020RK	Filter, G-92, Zeolite, for ASH3 sensors, fixed systems / EAGLE	38.00
33-6088	Charcoal filter,CF-8350	110.00
33-6090RK	Charcoal filter replacement, GX-4000A / EAGLE 2	8.50
33-6090RK-02	End Cap,Charcoal Filter,Eagle 2 (for GX-4000 filter)	12.00
33-6091RK	Charcoal filter replacement, EAGLE	12.00
33-6091RK-02	END Cap,Charcoal filter,Eagle	12.50
33-6092	Charcoal filter with tubing stubs and plugs, CF-8501, for GX-6000/EAGLE 2, CO2 & PID combinations ...	42.00
33-6095RK	Charcoal filter for fixed systems, CF-188	64.00
33-6095RK-02	CF-188 charcoal filter,w/1641 fittings	100.00
33-6097RK	Charcoal filter,CF-8376	46.00
33-6098	Charcoal Filter, DIA-BNCC,for 35-3001	34.00
33-6098-01	Charcoal Filter,DIA-BNCC,with tubing stub,for GX-6000	40.00
33-6099	Charcoal filter cartridge for SP-220, CF-8392	27.00
33-7001RK	Charcoal,bag,replacement.....	10.00
33-7009	Silicone scrubber disk, 5 pack for GX-2009	13.00
33-7016RK	Filter,silicone removal,w/33-7007RK filter material	26.00

Numerical Index

Part#	Description	Suggested Retail
33-7100	Charcoal filter disk for CO sensor, CF-6280 for Gaswatch 3 and 04 Series (pack of 5)	14.00
33-7101RK	Charcoal Filter for CO sensor (GX-82A/-86A), fixed system CO sensors	6.00
33-7102-100	Filter for CO Sensor,100 pack (20 five packs),charcoal disk CF-1821-2,GX-2009	150.00
33-7102RK	Filter, charcoal, for CO sensor, pack of 5, GX-2009/GX-2012/Gas Tracer/GX-6000	10.00
33-7106RK	Charcoal filter disk for CO sensor, strip of 5, for CO-03, GasWatch 2, GasWatch 3	12.00
33-7107RK	Filter set, 5 pack (1 charcoal & 4 H2S filters per pack), GX-2001	36.00
33-7114RK	Filter disk, H2S scrubber, strip of 5, for LEL sensor port, GP-01/GX-2001/GX-2009/GX-2012/ Gas Tracer/GX-6000/GP-03	10.00
33-7114RK-100	Filter disk, H2S scrubber, 100 pack, for LEL sensor port	190.00
33-7116RK-01	Silicone removal filter for 1/2" NPT LEL sensor	68.00
33-7117RK-01	Filter set for 1 instrument, 1 charcoal disk, 1 H2S scrubber, and 1 waterproof sensor cover for GX-2009	14.00
33-7117RK-05	Filter set for 5 instruments, 5 charcoal disk, 5 H2S scrubbers, & 5 waterproof sensor covers for GX-2009	60.00
33-7120RK	Filter, H2S scrubber disk, for ESM-01DH-HCN sensors	5.00
33-7121RK	Filter, H2S scrubber disk for ESM-01DH-SO2 sensor	5.00
33-7122RK	Filter, charcoal disk, CF031, for GX-8000, pack of 10	44.00
33-7125	Filter set, 5 charcoal and H2S filters, 10 hydrophobic and metal screen filters for GX-6000	48.00
33-7126	H2S scrubber disk for ESS-03DH-HCN (Also needs #33-0176 to install)	2.00
33-7127	Silicone removal cartridge filter CF-8391	46.00
33-7128	Benzene pre-filter tube, GX-6000, box of 10 tubes	130.00
33-7128-05	Benzene pre-filter tubes, GX-6000, 5 boxes with 10 tubes per box	630.00
33-7129	Scrubber,for alcohol/IPA,CF-8364	44.00
33-7130	Scrubber disk filter for CO/H2S sensor (pack of 5) for GX-3R / GX-3R Pro / GX-Force	26.00
33-7131	Scrubber disk filter for combustible sensor, CF-6309 (5pcs/pack)	26.00
33-7132	Scrubber disk filter, charcoal, for CO & H2 comp CO sensor, CF-A1CP (pack of 5), (not used on CO/H2S combo sensor) for GX-3R / GX-3R Pro / GX-Force	26.00
33-7132-01	Interference gas scrubber disk,CF-A1CP,charcoal,for CO & H2 comp CO sensor,GX-3R/GX-3R Pro	5.20
33-7133	Humidity filter disk for H2S or PH3 sensor, CF-A13i (pack of 5) for GX-3R/GX-3R Pro/04 Series/GX-Force	35.00
33-7133-01	Humidity filter disk for H2S or PH3 sensor, CF-A13i for GX-3R/GX-3R Pro/04 Series	7.60
33-7134	H2S scrubber disk for SO2 and NO2 sensors, GX-3R Pro, pack of 5	35.00
33-7134-01	H2S scrubber disk for SO2 and NO2 sensors, GX-3R Pro, one each	7.00
33-7135	H2S scrubber disk,for ESS-03DH-SO2 sensor,sold singly	2.00
33-7135-05	H2S scrubber disk,for ESS-03DH-SO2 sensor,pack of 5	15.00
33-7136	Humidity filter disk for H2S or PH3 sensor (pack of 5) for GasWatch 3 / 04 Series	8.80
33-7136-01	Humidity filter disk for H2S or PH3 sensor for GasWatch 3 / 04 Series	2.00
33-7137	H2S filter disk for HCN sensor, CF-A13D-2, GX-3R Pro, 1 each	18.00
33-7138	H2S filter set (pack of 5) for HCN sensor, 04 Series	74.00
33-7138-01	H2S filter disk for HCN sensor, 04 Series	16.00
33-7139	H2S filter set (pack of 5) for SO2 or NO2 sensors, 04 Series	8.80
33-7139-01	H2S filter disk for SO2 or NO2 sensors, 04 Series	2.00
33-7140	Humidity filter disk for NH3 sensor, CF-B134, GX-3R Pro (pack of 5)	30.00
33-7140-01	Humidity filter disk for NH3 sensor, CF-B134, GX-3R Pro, 1 each	5.40
33-7141	Humidity filter disk, CF-B134-1,for NH3 sensor, 04 Series,pack of 5	13.00
33-7141-01	Humidity filter disk, CF-B134-1,for NH3 sensor, 04 Series	2.60
33-7142-01	Filter set for 1 GX-3R: 1 scrubber disk filter for CO/H2S sensor / 1 scrubber disc filter for LEL sensor / 1 hydrophobic filter with gasket	30.00
33-7142-05	Filter set for 5 GX-3R: 5 scrubber disk filter for CO/H2S sensor / 5 scrubber disc filter for LEL sensor / 5 hydrophobic filter with gasket	127.00
33-7143-01	Charcoal filter,for 1/2 NPT sensor	110.00
35-0103RK-02	Flow through adapter with hose barb fittings,rim feed,for ES-23 type sensor	30.00
35-0104RK	Flow block,ES-23 Sensor,center feed,CL2	30.00
35-0104RK-01	Flow adaptor,ES-23 Sensor,center feed,CL2	38.00
35-0104RK-02	Flow through adapter with hose barb fittings,center feed,for ES-23 type sensor	30.00
35-0108RK	Chamber,Flow,LEL/O2/HS/CO,EAGLE	74.00
35-0108RK-02	Flow block, w/ftgs & plugs,LEL/O2/HS/CO,Eagle	110.00
35-0110RK	Dummy Sensor, H2S/CO, EAGLE	10.00
35-0111RK	Dummy Sensor, O2, EAGLE	14.00
35-0112RK	Dummy Sensor, LEL, EAGLE	14.00
35-0118RK	Plug,CT-7 sensor,sample system	18.00
35-0120RK	Sensor adapter,LEL aspirator adapter	60.00
35-0121RK	Sensor chamber,LEL aspirator adapter	44.00
35-0137RK	Sensor Adapter, 3/4 NPT sensor,aspirator adapter	64.00

Numerical Index

Part#	Description	Suggested Retail
35-0142RK	Plug, ESM-01 / IR / PID sensors, EAGLE 2	12.00
35-0152RK-10	Sample cup with luer fitting and gasket,snap-in,for Allegro CO monitor	60.00
35-0200RK-00	Flow system assembly, 4 gas, new, EAGLE	420.00
35-0201RK	Assembly,Flow System,4 Gas,LEL/OXY/H2S/CO,Eagle 2	460.00
35-0201RK-02	Assembly,Flow System,5 Gas,LEL/OXY/H2S/CO/IR CH4,Eagle 2	520.00
35-1525	Flow through adapter for GD-A80 aspirator,for standard gases	200.00
35-1526	Flow through adapter for GD-A80 aspirator,for solvent gases	220.00
35-1527	Flow through adapter for GD-A80 aspirator,for acetylene	200.00
35-3001-01	35-3001 for combustibles 100% LEL	1,300.00
35-3001-01-01	35-3001 for IR Methane 100% LEL	1,600.00
35-3001-01-02	35-3001 for IR Hydrocarbon 100% LEL	1,600.00
35-3001-01-02-1	Assembly,35-3001 Sample Draw,IR (%LEL) HC,with flow fail contacts	1,650.00
35-3001-01-03	35-3001 for IR Methane 100% vol	1,600.00
35-3001-01H	35-3001 for Hydrogen specific 100% LEL	1,300.00
35-3001-01H-DIL	Assy,35-3001,Sample Draw with internal dilution for LEL (H2 specific)	1,400.00
35-3001-02	35-3001 for Oxygen, 0-25% vol	1,300.00
35-3001-03	35-3001 for Hydrogen Sulfide 0-100 ppm	1,500.00
35-3001-04	35-3001 for Carbon Monoxide 0-300 ppm	1,500.00
35-3001-04-01	Assembly,35-3001 Sample Draw,CO,with flow fail contacts (open on low flow)	1,550.00
35-3001-05-02	35-3001 for IR Carbon Dioxide 0-5,000 ppm	1,700.00
35-3001-05-03	35-3001 for IR Carbon Dioxide 0-5% vol	1,700.00
35-3001-05-05	35-3001 for IR Carbon Dioxide 0-50% vol	1,700.00
35-3001-05-10	35-3001 for IR Carbon Dioxide 0-100% vol	1,700.00
35-3001-06	35-3001 for combustibles 100% LEL / Oxygen 0-25% vol	1,650.00
35-3001-06-01	35-3001 for IR Methane 100% LEL / Oxygen 0-25% vol	2,000.00
35-3001-06-02	35-3001 for IR Hydrocarbon LEL / Oxygen 0-25% vol	2,000.00
35-3001-06-03	35-3001 for IR Methane % vol / Oxygen 0-25% vol	2,000.00
35-3001-06H-DIL	35-3001 for LEL (H2 specific) / Oxygen, with internal dilution for LEL	1,900.00
35-3001-07	35-3001 for combustibles 100% LEL / Hydrogen Sulfide 0-100 ppm	1,800.00
35-3001-07-01	35-3001 for IR Methane 100% LEL / Hydrogen Sulfide 0-100 ppm	2,300.00
35-3001-07-02	35-3001 for IR Hydrocarbon 100% LEL / Hydrogen Sulfide 0-100 ppm	2,300.00
35-3001-07-03	35-3001 for IR Methane % vol / Hydrogen Sulfide 0-100 ppm	2,300.00
35-3001-08	35-3001 for combustibles 100% LEL / Carbon Monoxide 0-300 ppm	1,800.00
35-3001-08-01	35-3001 for IR Methane 100% LEL / Carbon Monoxide 0-300 ppm	2,300.00
35-3001-08-02	35-3001 for IR Hydrocarbon 100% LEL / Carbon Monoxide 0-300 ppm	2,300.00
35-3001-08-03	35-3001 for IR Methane % vol / Carbon Monoxide 0-300 ppm	2,300.00
35-3001-09	35-3001 for Oxygen 0-25% vol / Hydrogen Sulfide 0-100 ppm	1,800.00
35-3001-10	35-3001 for Oxygen 0-25% vol / Carbon Monoxide 0-300 ppm	1,800.00
35-3001-11	35-3001 for combustibles 100% LEL / IR Carbon Dioxide 0-5%	1,900.00
35-3001-11-0102	35-3001 for IR Methane 100% LEL / IR Carbon Dioxide 0-5,000 ppm	2,500.00
35-3001-11-0103	35-3001 for IR Methane 100% LEL / IR Carbon Dioxide 0-5%	2,500.00
35-3001-11-0105	35-3001 for IR Methane 100% LEL / IR Carbon Dioxide 0-50%	2,500.00
35-3001-11-0110	35-3001 for IR Methane 100% LEL / IR Carbon Dioxide 0-100%	2,500.00
35-3001-11-02	Assembly,35-3001 Sample Draw,LEL/IR CO2(5000 ppm)	2,000.00
35-3001-11-0202	35-3001 for IR Hydrocarbon 100% LEL / IR Carbon Dioxide 0-5,000 ppm	2,500.00
35-3001-11-0203	35-3001 for IR Hydrocarbon 100% LEL / IR Carbon Dioxide 0-5%	2,500.00
35-3001-11-0205	35-3001 for IR Hydrocarbon 100% LEL / IR Carbon Dioxide 0-50%	2,500.00
35-3001-11-0210	35-3001 for IR Hydrocarbon 100% LEL / IR Carbon Dioxide 0-100%	2,500.00
35-3001-11-03	Assembly,35-3001 Sample Draw,LEL/IR CO2(5%)	2,000.00
35-3001-12	35-3001 for combustibles 100% LEL / IR Methane 100% LEL	2,000.00
35-3001-12H	Assembly,35-3001 Sample Draw,LEL(Cat H2 specific),IR(LEL,CH4)	2,080.00
35-3001-13-02	Assembly,35-3001 Sample Draw,IR (0-5000 ppm) CO2/Oxygen	2,000.00
35-3001-13-03	Assembly,35-3001 Sample Draw,IR (0-5%) CO2/Oxygen	2,000.00
35-3001-NS-03	35-3001 with no sensor, pump only	1,100.00
35-3001A-01	35-3001 for combustibles 100% LEL sample draw detector with transmitter	1,550.00
35-3001A-01-01	35-3001 for IR Methane 100% LEL with transmitter	2,000.00
35-3001A-01-02	35-3001 for IR Hydrocarbon 100% LEL with transmitter	2,000.00
35-3001A-01-021	Assembly,35-3001 Sample Draw,IR (%LEL) HC,Remote amp.,with flow fail contacts	2,150.00
35-3001A-01-03	35-3001 for IR Methane 100% vol with transmitter	2,000.00
35-3001A-01H	35-3001 for Hydrogen specific 100% LEL with transmitter	1,700.00
35-3001A-01HDIL	Assembly,35-3001 Sample Draw,LEL with internal dilution,hydrogen specific,remote amp	1,800.00

Numerical Index

Part#	Description	Suggested Retail
35-3001A-02	35-3001 for Oxygen, 0-25% vol with transmitter	1,600.00
35-3001A-04-03	Assembly,35-3001 Sample Draw,CO,remote amp,CT7 Detector Base,w/low flow contacts	1,995.00
35-3001A-05-02	35-3001 for IR Carbon Dioxide 0-5,000 ppm with transmitter	2,000.00
35-3001A-05-03	35-3001 for IR Carbon Dioxide 0-5% vol with transmitter	2,000.00
35-3001A-05-05	35-3001 for IR Carbon Dioxide 0-50% vol with transmitter	2,000.00
35-3001A-05-10	35-3001 for IR Carbon Dioxide 0-100% vol with transmitter	2,000.00
35-3001A-07	35-3001 for combustibles 100% LEL / Hydrogen Sulfide 0-100 ppm with transmitter	2,100.00
35-3001A-07-01	35-3001 for IR Methane 100% LEL / Hydrogen Sulfide 0-100 ppm with transmitter	2,600.00
35-3001A-07-02	35-3001 for IR Hydrocarbon 100% LEL / Hydrogen Sulfide 0-100 ppm with transmitter	2,600.00
35-3001A-07-03	35-3001 for IR Methane % vol / Hydrogen Sulfide 0-100 ppm with transmitter	2,600.00
35-3001A-08	35-3001 for combustibles 100% LEL / Carbon Monoxide 0-300 ppm with transmitter	2,100.00
35-3001A-08-01	35-3001 for IR Methane 100% LEL / Carbon Monoxide 0-300 ppm with transmitter	2,600.00
35-3001A-08-02	35-3001 for IR Hydrocarbon 100% LEL / Carbon Monoxide 0-300 ppm with transmitter	2,600.00
35-3001A-08-03	35-3001 for IR Methane % vol / Carbon Monoxide 0-300 ppm with transmitter	2,600.00
35-3001A-09	35-3001 for Oxygen 0-25% vol / Hydrogen Sulfide 0-100 ppm with transmitter	2,100.00
35-3001A-10	35-3001 for Oxygen 0-25% vol / Carbon Monoxide 0-300 ppm with transmitter	2,100.00
35-3001A-11	35-3001 for 0-10% H2, with TE-7560 TC sensor, remote amp	1,700.00
35-3001A-12-02	Assembly,35-3001 Sample Draw,CO2 IR(5000 ppm)/H2S,(CO2 remote amp)	2,600.00
35-3001A-13-03	Assembly,35-3001 Sample Draw,IR (0-5% CO2)/CO,CO2 Remote amp	2,600.00
35-3001A-14	Assembly,35-3001 Sample Draw,IR CH4/IR CH4, both with remote amp	3,600.00
35-3010A-09	Assy,4pt S.D detector,CH4(%volume IR)/O2 (CH4,O2 amps)	3,200.00
35-3010A-10	Assy,4pt S.D detector,CH4(LEL IR)/O2/H2S/CO (CH4,O2 amps)	3,550.00
35-3010A-11	Assy,4pt S.D detector,CH4/H2S/CO2 IR(5%) (CO2 amp)	3,250.00
35-3010A-12	Assy,4pt S.D detector,O2/H2S/CO, (O2 amp).....	2,850.00
35-3010A-13	Assy,4pt S.D detector,0-10% H2 TC/O2/(H2/O2 amps)	3,100.00
35-3010RK-01	LEL (internal amp)/ O2 (internal amp)/ H2S/ CO (4-20mA) sample draw assembly in NEMA 4X enclosure	2,750.00
35-3010RK-02	LEL (internal amp)/ O2 (internal amp)/ H2S (4-20mA) sample draw assembly in NEMA 4X enclosure ...	2,550.00
35-3010RK-03	LEL (internal amp)/ O2 (internal amp)/ CO (4-20mA) sample draw assembly in NEMA 4X enclosure.....	2,550.00
35-3010RK-04	Assy,4pt S.D detector,LEL/CO(LEL direct)	2,450.00
35-3010RK-05	Assy,4pt S.D detector,O2/CO (O2 direct)	2,450.00
35-3010RK-06-02	Assy,4pt S.D detector,O2/CO/CO2(0-5,000 ppm) (O2/CO2 direct)	2,950.00
35-3010RK-07	Assy,4pt S.D detector,CH4(LEL IR)/O2/H2S (CH4,O2 direct)	2,950.00
35-3010RKA-01	LEL/O2/ H2S/ CO sample draw assembly in NEMA 4X enclosure with transmitters	3,200.00
35-3010RKA-02	LEL/O2/ H2S sample draw assembly in NEMA 4X enclosure with transmitters	3,000.00
35-3010RKA-03	LEL/O2 /CO sample draw assembly in NEMA 4X enclosure with transmitters	2,950.00
35-3010RKA-04	Assy,4pt S.D detector,LEL/O2/(LEL/O2 amps)	2,800.00
35-3010RKA-04H	Assy,4pt S.D detector,LEL(H2 spec)/O2/(LEL/O2 amps)	2,800.00
35-3010RKA-06	Assy,4pt S.D detector,LEL/H2S(LEL amp)	2,700.00
35-3010RKA-07	Assy,4pt S.D detector,CH4(LEL IR)/O2/H2S (CH4,O2 amps)	3,350.00
35-3010RKA-08	Assy,4pt S.D detector,CH4(LEL IR)/O2 (CH4,O2 amps)	3,200.00
35-3011RK-01	Assy,4pt S.D detector,CO/NO2	3,650.00
35-3011RK-03	Assy,4pt S.D detector,LEL/O2/CO/NO/CO2 (LEL/O2 direct)	4,950.00
35-3011RKA-02	Assy,4pt S.D detector,LEL/Oxy/CO/HCN	4,550.00
41-1537RK	Pot,50K,25 turn,3/8 square,PCB mtg,side adjust,3292X	26.00
4288050010	Splash guard SPG-1 for SD-1GP	120.00
43-0417RK-01	Switch,Keycap,4mm Sq,Omron B3F Switch	0.70
43-0440RK	Switch,push but,NO,SPST,wtrprf	33.00
43-0960RK	Switch boot,toggle,10-48 bushing	12.00
43-0990RK	Switch,toggle,SPDT,C&K.....	12.00
43-4142RK-10	Fuse,SMT,Fast,1.5A,125V	1.50
43-4143RK	Fuse,5 x 20 mm,250V,1 amp,slow blow	2.00
43-4146	Fuse,1.6 A,250 VAC,5 x 20 mm,fast blow	5.00
43-4155RK	Fuse,2A,5 x 20 mm,fast acting	1.50
43-4163	Fuse, axial lead, 8.5 mm dia x 8 mm tall, 4A, fast acting, 250V	3.00
43-4165RK	Fuse,1/4X 1 1/4,FAST,3A,250V	1.80
43-4167RK	Fuse,5 x 20 mm,FAST,5A,250V	1.00
43-4170RK	Fuse,1/4 x 1 1/4,fast,6A,250V	1.20
43-7010-02	Mounting Kit,for MTL 700 serries barrier,up to 5 barriers, MK05	375.00
43-7012RK	Barrier,IS,zener,2-wire,DIN rail mounting,for contact closure,MTL7787+	340.00
43-7013	IS Barrier, isolator, 2- or 3-wire 4-20 mA transmitter or HART, MTL5541	1,500.00
45-2009RK	Socket,5pin,for RKK LEL Sensor	6.00

Numerical Index

Part#	Description	Suggested Retail
45-2311RK	Jack,panel mounting,for2.5x5.5mm plug	6.00
45-2311RK-01	Jack,chgr,w/cable & Connector,Eagle	12.00
45-2430RK	Plug adapter for charger, US to Euro, non-grounded	3.60
45-4059RK	Terminal block,2 position,feed thru	2.00
45-4062RK	Terminal block,4 POS,FEED THRU	3.00
45-6150RK	Connector lock,for Omron XG4	0.60
45-8001RK	Battery holder,GP-204/GX-3	7.00
46-3063RK	Clip,Stainless,for .75 dia,screw mounting	2.80
46-3070RK	Connector for combining 2 charger bases (required to join chargers), BC-2009	14.00
46-5100RK	Lever,wiring tool accessory for GD-70D terminal strip	0.75
46-9025RK	Knob with set screws (2), On/Off, Silver, GP-204	9.00
46-9026RK	Knob,zero/volt adjust,silver,GP-204/NP-204	3.50
46-9026RK-01	Clutch only,for zero adjust knob,GP-204	4.50
47-1009-01	Adder,15 ft AC power cord,for fixed systems	46.00
47-1015RK	Cord,line,SJT,18/3,8FT.....	15.40
47-1015RK-01	Power cord, SJT, 115 VAC, 8 feet, with bushings, added to fixed systems	46.00
47-1016RK	12 VDC vehicle charging adapter, Eagle 2 (charger unit not included)	30.00
47-1017	Printer power cord for SDM-6000 printer	10.00
47-1019	Replacement charging cord, 2 ft each, for GX-3R / GX-3R Pro	14.00
47-1020-01	Adder,30 foot AC power cord,for fixed systems	100.00
47-1203RK	Cable,2 conductor,twisted pair,16 AWG,shielded	1.00
47-1205RK	Cable,4 conductor,18 AWG,shielded w/20 AWG drain	5.00
47-1209RK	Cable,4 conductor,22 AWG,for PS-2 sensor	2.00
47-1213RK	Cable,2 conductor w/shield/drain,16 AWG,direct burial type	1.40
47-1214RK	Cable,4 conductor w/shield/drain,18 AWG,direct burial type	1.50
47-1500RK	Connector with cable, RM-5000	46.00
47-1501RK	Connector with cable 500 mm, RM-5000	62.00
47-1502RK	Connector with cable 1 meter, RM-5000	72.00
47-1503RK	Junction cable for Single case, RM-5000	10.00
47-1504RK	Reset cable for RM-590-R, RM-5000	62.00
47-1556-01	Extender cable with remote box, 1 meter, 600 series	135.00
47-1556-03	Extender cable with remote box, 3 meter, 600 Series	140.00
47-1556-05	Extender cable with remote box, 5 meter, 600 Series	160.00
47-1556-10	Extender cable with remote box, 10 meter, 600 Series.....	200.00
47-1556-20	Extender cable with remote box, 20 meter, 600 Series.....	300.00
47-1557RK-05	Extender cable, 5 meters for OX-07	295.00
47-1557RK-10	Extender cable, 10 meters for OX-07	360.00
47-1557RK-20	Extender cable, 20 meters for OX-07	520.00
47-1557RK-30	Extender cable, 30 meters for OX-07	660.00
47-1561RK	Extender cable, 3 meters, for SC-01	420.00
47-4001	Cable with connectors, main PCB to sensor PCB, for GX-6000	16.00
47-5010RK	Cable with connector for LEL and TC sensors for EAGLE/EAGLE 2	21.40
47-5016RK	Cable w/Connector,Eagle display	9.50
47-5030RK	Cable w/conn,34 position,front panel,Beacon 800	11.00
47-5048RK	Display ribbon cable, M2A/M2A-XL transmitter	10.00
47-5051RK	Cable w/connectors,type 272-FRW-12P-PHR,for ESM-01 sensor	32.00
47-5057RK	Cable, LCD to Main PCB, Eagle 2	15.00
47-5059RK	Cable, Power, Eagle 2	28.00
47-5063RK	Cable,Coiled,w/connectors,Charger Cable for SDM-E2 Cal Station	70.00
47-5065RK	Cable,display,for FP-300 series	35.00
47-5066RK	Cable,communication,GD-70D	190.00
47-5068RK	Cable, DC power, 50 ft. with 2 conductor 16 AWG Battery Clamps,for Rig Monitor	65.00
47-5068RK-25	Cable, DC power, 25 ft. with 2 conductor 16 AWG Battery Clamps,for Rig Monitor	50.00
47-5073RK	USB cable, Type A to Type B, 6 feet	4.50
47-5084RK-01	Downloading cable, USB / IrDA adapter, Windows XP, Windows 7, Windows 8, Windows 10, and Windows 11 compatible	230.00
47-5085RK	USB A to USB mini B cable, 6 feet	8.00
47-5088	Ethernet network cable, Cat 6, 5 ft, black	9.00
47-5102	5-unit charging connector bar with 5 charging cables (47-1019) for GX-3R & GX-3R Pro, no AC adapter ...	180.00
47-5102-01	5-unit charging connector bar (used in 47-5102), no charging cables	55.00
47-5110-5-03	Cable with 5 pin connector,for remote sensor kits, Air Alert/(AL) VOC Pro/(AL) T3A, 3 feet	21.60

Numerical Index

Part#	Description	Suggested Retail
47-5110-5-10	Cable with 5 pin connector,for remote sensor kits, Air Alert/(AL) VOC Pro/(AL) T3A,10 feet	72.00
47-5110-5-12	Cable with 5 pin connector,for remote sensor kits, Air Alert/(AL) VOC Pro/(AL) T3A,12 feet	86.40
47-5110-5-125	Cable with 5 pin connector,for remote sensor kits, Air Alert/(AL) VOC Pro/(AL) T3A,125 feet	900.00
47-5110-5-16.5	Cable/5 pin conn for remote sensor kits,Air Alert/AL VOC Pro/ALT3A,16.5ft(must order w/61-2XXX)	118.80
47-5110-5-30	Cable with 5 pin connector,for remote sensor kits, Air Alert/(AL) VOC Pro/(AL) T3A,30 feet	216.00
47-5110-5-33	Cable/5 pin conn.,for remote sensor kits, Air Alert/(AL)VOC Pro/(AL)T3A,33 ft (must order w/61-2XXX) ...	237.60
47-5110-5-4	Cable with connector,for XP and non-XP remote sensor mounting kits,4 feet	28.80
47-5110-5-40	Cable/5 pin conn for remote sensor kits, Air Alert/AL VOC Pro/AL T3A,40ft(must order w/61-2XXX)	288.00
47-5110-5-50	Cable/5 pin conn for remote sensor kits, Air Alert/AL VOC Pro/AL T3A,50ft(must order w/61-2XXX)	360.00
47-5110-5-66	Cable/5 pin conn for remote sensor kits, Air Alert/AL VOC Pro/AL T3A,66ft(must order w/61-2XXX)	475.20
47-5110-5-82	Cable/5 pin conn for remote sensor kits, Air Alert/AL VOC Pro/AL T3A,82ft(must order w/61-2XXX)	590.40
47-5110-5-XX	Cable with 5-pin connector to remote mount sensor for explosion proof and non-explosion proof, price per foot (specify length in place of -XX)	7.90
47-5110-7-04	Cable with 7 pin connector,for remote sensor kits, AL Alert/T2A/AL 6900/AL 6940 XP and NXP, 4 feet ...	28.80
47-5110-7-10	Cable with 7 pin connector,for remote sensor kits, AL Alert/T2A/AL 6900/AL 6940 XP and NXP,10 feet ...	72.00
47-5110-7-12	Cable with 7 pin connector,for remote sensor kits, AL Alert/T2A/AL 6900/AL 6940 XP and NXP,12 feet ...	86.40
47-5110-7-125	Cable with 7 pin connector,for remote sensor kits, AL Alert/T2A/AL 6900/AL 6940 XP and NXP,125 feet...	900.00
47-5110-7-25	Cable,antenna extension,25 feet,N-male to N-female,for AirLink models	195.00
47-5110-7-30	Cable with 7 pin connector,for remote sensor kits, AL Alert/T2A/AL 6900/AL 6940 XP and NXP,30 feet ...	216.00
47-5110-7-50	Cable,antenna extension,50 feet,N-male to N-female,for AirLink models	330.00
47-5110-7-XX	Cable with 7-pin connector to remote mount sensor (battery powered) for explosion proof and non-explosion proof, price per foot (specify length in place of -XX)	7.90
47-5111-100	Antenna extension cable, 100 feet, N-male to N-female for AirLink models	650.00
47-5111-15	Antenna extension cable,15 feet, N-male to N-female for AirLink models	165.00
47-5111-25	Antenna extension cable, 25 feet, N-male to N-female for AirLink models	215.00
47-5111-50	Antenna extension cable, 50 feet, N-male to N-female for AirLink models	330.00
47-5111-75	Antenna extension cable, 75 feet, N-male to N-female for AirLink models	495.00
47-5115-5-03	Cable/5 pin conn.,replacement cable for remote sensor kits,Air Alert/(AL)VOC Pro/(AL)T3A,3 feet	31.60
47-5115-5-04	Cable/5 pin conn.,replacement cable for remote sensor kits, Air Alert/(AL)VOC Pro/(AL)T3A,4 feet	38.80
47-5115-5-10	Cable/5 pin conn.,replacement cable for remote sensor kits, Air Alert/(AL)VOC Pro/(AL)T3A,10 feet	82.00
47-5115-5-20	Cable/5 pin conn.,replacement cable for remote sensor kits, Air Alert/(AL)VOC Pro/(AL)T3A,20 feet	154.00
47-5115-5-50	Cable/5 pin conn.,replacement cable for remote sensor kits, Air Alert/(AL)VOC Pro/(AL)T3A,50 feet	370.00
47-5115-5-66	Cable/5 pin conn.,replacement cable for remote sensor kits, Air Alert/(AL)VOC Pro/(AL)T3A,66 feet	485.20
47-5115-5-82	Cable/5 pin conn.,replacement cable for remote sensor kits,Air Alert/(AL)VOC Pro/(AL)T3A,82 feet	600.40
47-5115-5-C	5 pin connector for replacement cable for remote sensor kit,Air Alert/(AL)VOC Pro/(AL)T3A	10.00
47-5115-7-04	Cable/7 pin conn., replacement cable for remote sensor kits,AL Alert/T2A/AL6900/AL6940 XP+NXP,4ft...	38.80
47-5115-7-10	Cable/7 pin conn., replacement cable for remote sensor kits,AL Alert/T2A/AL6900/AL6940 XP+NXP,10ft	82.00
47-5115-7-20	Cable/7 pin conn., replacement cable for remote sensor kits,AL Alert/T2A/AL6900/AL6940 XP+NXP,20ft	154.00
47-5115-7-C	7 pin connector for replacement cable for remote sensor kit,Air Alert/(AL)VOC Pro/(AL)T3A	10.00
47-5116	Data downloading cable, USB A to USB C for GX-Force	5.00
48-0100RK	Ferrite Core, clamp on noise filter exhaust	3.50
48-0101	Ferrite core,broadband split/snap-on,35.1 mm long,5.60 mm dia cable,for 30 Mhz ~ 1 GHz	2.40
48-0800RK	Line filter,2.1mH,1.5A	5.50
48-0810RK	Line filter,Ferrite core,Zcat series	6.00
48-2000RK	Noise filter, LF210SEW-UL	220.00
48-3002	Pump coil for RP-70 GD-70D pump	20.00
49-0111RK	Power supply,switching,24V,1.1A,25W	50.00
49-0113RK	Power supply,88-264 VAC input,24v,6.25A output	157.00
49-0114RK	Power supply,switching,28 V, 5.5A.....	240.00
49-0115RK	115 / 220 VAC Adapter for charger, GX-6000/GX-2009/GX-2012/Gas Tracer/EAGLE 2/GX-8000/SC-8000 ...	20.00
49-0121-01	Retrofit Kit,49-0104RK to 49-0121RK power supply,Beacon 200	100.00
49-0121-10	Power supply in 4X housing, 100-240 VAC in / 24 VDC 4.5 amp output	380.00
49-0121RK	Power supply,switching,90-264 VAC in,24 VDC 4.5 amps out,Astrodyne RS100-24	65.00
49-0125	Power supply,ST72,100-240 VAC universal input,600W,24 VDC out,for RC Systems controllers.....	1,360.00
49-0127	AC adapter, multi-cal station, switching,100-240 VAC with 5.5 x 2.1 mm jack, powers 2 to 10 SDM-6000 units	320.00
49-0128	Multi-station AC adapter with cord, powers 2 to 10 SDM-6000 units	160.00
49-0128-01	Multi-station AC adapter without cord, powers 2 to 10 SDM-6000 units	150.00
49-0129	Printer AC adapter only, for SDM-6000 printer	140.00
49-0132	Power supply,switching,100-240 VAC input,27 VDC 11.9 A output	130.00
49-0132-01	Power supply retrofit kit for Beacon 800,for 49-0132 supply	160.00

Numerical Index

Part#	Description	Suggested Retail
49-0133	AC adapter, 100 - 240 VAC, 5.99 VDC 2A, for GX-3R/GX-3R Pro/SDM-3R	90.00
49-0134	Multi-unit AC adapter, 100 - 240 VAC (5.99 VDC out) for charging 5 instruments, GX-3R / GX-3R Pro	270.00
49-0135	AC adapter for SDM-6000, switching, 90-264 VAC in 24V 0.63 A out with 5.5 x 2.1 mm jack, RKI single type	44.00
49-0137	Power supply,switching,12V,2.1A,25W	30.00
49-0139	AC adapter, 100 - 240 VAC in, 5.0 VDC 3A out, USB-C connection, charger for GX-Force	50.00
49-0203RK	Inverter, 12 VDC to 115 VAC, for battery charger	34.00
49-1050RK	Battery, memory backup, silver oxide, SR 616, 1.55 volts, GX-2009 and GX-6000, snaps in	10.00
49-1109RK	Battery, alkaline, 9V, (for XP-204 and XP-204A only)	4.60
49-1110RK	Battery, alkaline, AAA	1.40
49-1120RK	Size AA alkaline battery	1.40
49-1130RK	Battery, C size, alkaline battery	2.60
49-1140RK	Size D alkaline battery	2.70
49-1240RK	Battery, Ni-Cad, D size	22.00
49-1312	Battery, Ni-MH, AAA, Eneloop by Panasonic	12.60
49-1320RK	Battery, Ni-MH, AA	4.00
49-1330RK	Battery, Ni-MH, C size (4 required)	15.00
49-1402RK	Data logging back up battery, 3.0 V lithium, CR2032 coin type	2.00
49-1403RK	Battery, lithium, 3V, mem ret, GX-86A / EAGLE	4.50
49-1404RK	Lithium battery, 3.0 volt, coin type, CR 2450	2.60
49-1405RK	Lithium battery, 1.55 volt, SR41W, GX-2003/EAGLE 2 (PCB memory backup battery)	4.00
49-1405RK-01	Battery contact, positive, for GX-2003/EAGLE 2, lithium battery, SUS304+NI3	1.50
49-1406RK	Battery, lithium, CR 1220, for main PCB for GX-2012, Gas Tracer, GP-1000, & NC-1000, snap in type	4.40
49-1407	Battery,lithium,3V,PCB mounting,CR1220-P1	5.60
49-1408	Battery,lithium,3.0V,coin type,Duracell DL2450	8.00
49-1410RK	Lithium battery pack, 3.6V, replacement for GD-K7D2 & GD-K77D	20.00
49-1416-01	Battery, Lithium-thionyl, non-rechargeable, 3.6 VDC 19 AH with connector for AirLink 6900 and AirLink Alert, (2 required)	38.00
49-1416-02	Battery pack, Lithium-thionyl, 4 cells, non-rechargeable, 3.6 VDC 76 AH with connector for AirLink 6940	155.00
49-1551RK	Battery, lead acid, 12V, 1.2 amp hours	50.00
49-1551RK-01	Battery, lead acid, 12V, 1.2 amp hours, with self locking strip fastener	60.00
49-1552RK	Battery, lead acid, 12V, 12 amp hours	105.00
49-1605RK	NI-MH battery pack for GX-2001 (Battery charger sold separately)	32.00
49-1609RK	Ni-MH battery set with hardware for GX-2009, set of 2 batteries	80.00
49-1613RK	Battery pack, lithium ion, GX-8000	780.00
49-1614RK	Battery pack, alkaline, GX-8000	440.00
49-1615RK	Battery pack, lithium ion, GX-2012 / Gas Tracer, BUL-2012	175.00
49-1615RK-CSA	Battery pack,lithium ion,BUL-2012,for GX-2012/Gas Tracer,CSA version	175.00
49-1616RK	Alkaline Battery pack without batteries with gasket, GX-2012 / Gas Tracer	120.00
49-1616RK-01	Alkaline Battery pack cover with gasket, GX-2012 / Gas Tracer	30.00
49-1616RK-01CSA	Battery pack cover w/gasket,alkaline,for GX-2012/Gas Tracer,CSA version	30.00
49-1616RK-02	Alkaline Battery pack without cover with gasket, GX-2012 / Gas Tracer	120.00
49-1616RK-CSA	Battery pack without batteries,alkaline,BUD-2012,for GX-2012/Gas Tracer,CSA version	130.00
49-1617	Battery pack, lithium ion, BUL-8000 (R) for RX-8000	780.00
49-1618	Battery pack, alkaline, BUD-8000 (R) for RX-8000	440.00
49-1619	Battery pack, Li-Ion, BUL-6000 for GX-6000	250.00
49-1620	Battery pack, alkaline, BUD-6000 for GX-6000	160.00
49-1620-03	Continuous operation adapter for GX-6000, 8 VDC to 28 VDC input	230.00
49-1620-03-01	Adder,continuous operation adapter for GX-6000, 8 VDC to 28 VDC input	250.00
49-1620-03-02	Adder,continuous operation adapter for alkaline GX-6000,8 VDC-28 VDC input,installed in instrument ...	100.00
49-1621	Printer battery pack for SDM-6000 printer	190.00
49-1622	Lithium ion battery pack, BUL-8000(Z1) for RX-8500 / RX-8700	650.00
49-1623	Alkaline battery pack, BUD-8000(Z1) for RX-8500 / RX-8700	360.00
49-1625	Li-Ion battery pack, BUL-3R, for GX-3R Pro	250.00
49-1626	Battery pack, alkaline, BUD-3R, for GX-3R Pro	125.00
49-1627	Battery pack, alkaline, BUD-8000(S) for SC-8000	350.00
49-1628	Battery pack, Li-Ion, BUD-8000(S1) for SC-8000	650.00
49-1630	Battery pack,Li-Ion,BUL-8000 FI, for FI-8000	790.00
49-1633	Battery pack, Li-Ion, GX-Force	78.00
49-2008	AC adapter,120 VAC in, 9 VDC/300 mA out,center positive,6 ft cable with 2.5 x 5.5 mm jack.....	18.00
49-2011RK	Ni-Cad battery charger, 115 VAC (included with Ni-Cad version instruments only), P-200 series	50.00

Numerical Index

Part#	Description	Suggested Retail
49-2020RK	12 VDC Adapter for charger with vehicle plug (charger base not included), GX-2009/GX-2012/ Gas Tracer/GX-6000	24.00
49-2021	DC adapter with vehicle plug & 4 ft cable, 12-24 VDC for GX-3R and GX-3R Pro	50.00
49-2022	DC adapter, with vehicle plug and 4ft cable, 12-24 VDC in, 5.0 VCD out, charger for GX-Force	50.00
49-2023	USB DC adapter with 2.5 ft cable, 5 VDC in / 6.0 VDC 1 amp out, for GX-3R and GX-3R Pro	50.00
49-2058RK-03	AC adapter, 3 port, for SDM-2012 and SDM-E2	80.00
49-2058RK-04	AC adapter 4 port charger for SDM-2009, SDM-2012, and SDM-03	88.00
49-2149RK	Charger, 220 VAC, EAGLE	115.00
49-2150RK	Ni-Cad battery Charger, -Delta V type, 115VAC, with alkaline recognition, EAGLE	115.00
49-2151RK	Battery charger, 12 VDC, with cigarette lighter plug, EAGLE	115.00
49-2152RK	Continuous operation adaptor/charger, 115VAC, with 20' cable, EAGLE	115.00
49-2170RK	Charging station base only, BC-2009	75.00
49-2170RK-01	Charging station with 115 / 220 VAC power supply for single instrument, GX-2009	90.00
49-2170RK-02	Charging station with 115 / 220 VAC power supply for two instruments, GX-2009	170.00
49-2170RK-03	Charging station with 115 / 220 VAC power supply for three instruments, GX-2009	250.00
49-2170RK-04	Charging station with 115 / 220 VAC power supply for four instruments, GX-2009	330.00
49-2170RK-05	Charging station with 115 / 220 VAC power supply for five instruments, GX-2009	410.00
49-2170RK-ADD	Upgrade kit to add one GX-2009 charger to a bank	75.00
49-2171RK	Charging station with 12 VDC adapter and vehicle adaptor plug for GX-2009 (single unit)	95.00
49-2174RK	Battery charging module, 100 - 240 VAC & 12 VDC input, EAGLE 2, (power adapter not included)	120.00
49-2175RK	Battery Charger, 100-240 VAC, EAGLE 2 (batteries not included)	140.00
49-2175RK-01	Battery Charger, 100-240 VAC, with 4 C size Ni-MH batteries, added to EAGLE 2, factory installed	200.00
49-2175RK-02	Battery Charger, 100-240 VAC, with 4 C size Ni-MH batteries, added to EAGLE 2, field installed	210.00
49-2176RK	Battery charger, 12 VDC, with cigarette lighter plug, EAGLE 2 (batteries not included)	140.00
49-2176RK-01	Battery charger, 12 VDC, with cigarette lighter plug and 4 C size Ni-MH batteries, EAGLE 2, factory installed	190.00
49-2176RK-02	Battery charger, 12 VDC, with cigarette lighter plug and 4 C size Ni-MH batteries, EAGLE 2, field installed	210.00
49-2177RK	Battery charger, 100-240 VAC adapter and 12 VDC with vehicle plug adapter, EAGLE 2	160.00
49-2177RK-01	Battery charger, 100-240 VAC adapter, 12 VDC with vehicle plug adapter, and 4 C size Ni-MH batteries, EAGLE 2, factory installed	210.00
49-2177RK-02	Battery charger, 100-240 VAC adapter, 12 VDC with vehicle plug adapter, and 4 C size Ni-MH batteries, EAGLE 2, field installed	220.00
49-2180RK	Charging station only, for Li-Ion battery pack, no AC adapter for GX-2012/Gas Tracer	70.00
49-2180RK-01	Charging station with AC adapter, for Li-Ion battery pack, 110/115/220 VAC, for GX-2012/Gas Tracer	85.00
49-2180RK-DC	Charging station only, with velcro strap, for DC Li-Ion battery pack, no DC adapter, for GX-2012/Gas Tracer	75.00
49-2181RK	Charging station with 12 VDC vehicle plug adapter for Li-Ion battery pack, for GX-2012/Gas Tracer	90.00
49-2182	Battery charger module only, BC-6000, for GX-6000 Li-Ion battery pack	150.00
49-2182-01	Battery charger with 100 - 240 VAC adapter, BC-6000 for GX-6000 Li-Ion battery pack	160.00
49-2183	Battery charger, 12 VDC with vehicle plug and instrument strap, BC-6000 for GX-6000 Li-Ion battery pack	190.00
49-3102RK	Ni-Cad battery charger (Bench charger for up to 4 batteries), 12 VDC	125.00
49-3105RK	Charger, Ni-MH, charges four AA or AAA size with A/C adapter and DC vehicle plug	45.00
49-3106RK	Charger, Ni-MH, charges twelve AA or AAA size with A/C adapter and DC vehicle plug	75.00
49-3108	Charger, Ni-MH, charges four AAA/AA/C/D size with A/C adapter and DC vehicle plug	80.00
49-4000RK	AC Power supply assembly for M2A/M2A-XL, input 100 VAC to 240 VAC, output 24 VDC, 0.5 amp, mounted in 18-0400RK	220.00
49-4000RK-SS	AC Power supply assembly for M2A/M2A-XL stainless steel housing, input 100 VAC to 240 VAC, output 24 VDC, 0.5 amp, mounted in 18-0416RK-11	320.00
49-8103RK	Standby battery assembly, 24 VDC, 1.2 AMP hours, for Beacon 110 and Beacon 200	280.00
49-8103RK-01	Battery, standby assembly, 24VDC, 1.2 amp hour, Beacon 110/200, with 6 ft cable	320.00
49-8104RK	Standby battery assembly, 24 VDC, 12 AMP hours, for Beacon 110, Beacon 200, Beacon 410A, Beacon 800, & Beacon 3200	480.00
5000-02R	2-Channel panel mounting housing, RM-5000 Series	920.00
5000-02W	2-Channel wall mounting housing, RM-5000 Series	920.00
5000-04R	4-Channel panel mounting housing, RM-5000 Series	1,150.00
5000-04W	4-Channel wall mounting housing, RM-5000 Series	1,150.00
5000-06R	6-Channel panel mounting housing, RM-5000 Series	1,380.00
5000-06W	6-Channel wall mounting housing, RM-5000 Series	1,380.00
5000-08R	8-Channel panel mounting housing, RM-5000 Series	1,610.00
5000-08W	8-Channel wall mounting housing, RM-5000 Series	1,610.00
5000-10R	10-Channel panel mounting housing, RM-5000 Series	1,840.00
5000-10W	10-Channel wall mounting housing, RM-5000 Series	1,840.00

Numerical Index

Part#	Description	Suggested Retail
5000-12R	12-Channel panel mounting housing, RM-5000 Series	2,070.00
5000-12W	12-Channel wall mounting housing, RM-5000 Series	2,070.00
5000-CC	Module adapter, RM-5000 module to RM-570/580 case	95.00
5000-SR	1-Channel Case, panel mounting, RM-5000 Series	220.00
5000-TM	Single Channel Case, module plug-in plate mounting, RM-5000 Series	200.00
51-0001-AMB	Strobe light, Amber, 24VDC, Nema 4X, Ingram SBN1224ADA	200.00
51-0001-BLU	Strobe light, Blue, 24VDC, Nema 4X, Ingram SBN1224ADB	200.00
51-0001-RED	Strobe light, Red, 24VDC, Nema 4X, Ingram SBN1224ADR	200.00
51-0030RK-01	Strobe light, red, 115 VAC, Edwards 105FINHR-N5, for hazardous locations, Class I Div 2, with pipe mounting base	700.00
51-0031-02	Strobe,red,12 - 48 VDC,Edwards 105HISTR-EK,for Class I Div 2,w/outlet box attachment	1,100.00
51-0031RK-01	Strobe light, red, 12 - 48 VDC, Edwards 105HISTR-EK, for Class I Div 2, with pipe mounting base	1,120.00
51-0034	Strobe,blue,115 VAC,Edwards 105FINHB-N5,for Class I Div 2,without mounting base	460.00
51-0034-01	Strobe,blue,115 VAC,Edwards 105FINHB-N5,for Class I Div 2,with pipe mounting base	540.00
51-0035RK-01	Strobe light, amber, 115 VAC,Edwards 105FINHA-N5, for Class I Div 2, with pipe mounting base	700.00
51-0040-RED	Horn and Xenon strobe combo, red, explosion proof, Class I, Division 1, Zone 1, 24 VDC	6,000.00
51-0053RK	Rotating alarm light, green, 115 VAC, Federal Signal 225-120V-G	695.00
51-0054RK	Rotating alarm light, amber, 115 VAC, Federal Signal 225-120V-A	695.00
51-0055RK	Rotating alarm light, red, 115 VAC, Federal Signal 225-120V-R	695.00
51-0056RK	Rotating alarm light, blue, 115 VAC, Federal Signal 225-120-B	695.00
51-0057-02	Strobe lens,amber,for 51-0057RK	95.00
51-0065RK-01	Lens assembly,red,for 51-0065RK/51-0066RK	30.00
51-0075	LED multi-status indicator, red/green/amber, 24 VDC, NEMA 4X, Edwards 105XBRIEGA24D	1,220.00
51-0090RK-24	Flashing alarm light with horn, red, 24 VDC, 40 watt lamp, Edwards 51R-G1	800.00
51-0091RK	Flashing alarm light with horn, blue, 115 VAC, 40 watt lamp, Edwards 51B-N5-40W	700.00
51-0092RK	Flashing alarm light with horn, amber, 115 VAC, 40 watt lamp, Edwards 51A-N5-40W	700.00
51-0092RK-24	Flashing alarm light with horn, amber, 24 VDC, 24 watt lamp, Edwards 51A-G1	800.00
51-0093RK-RED	Strobe with horn, red housing, 120 VAC, NEMA 4X, SpectrAlert, with red lens cover	340.00
51-0094RK-01	Lens cover,field installable,blue,for System Sensor SpectrAlert family	40.00
51-0094RK-03	Lens cover,field installable,green,for System Sensor SpectrAlert family	40.00
51-0096RK	Strobe light with horn, red housing, 8 - 33 VDC, NEMA 4X	220.00
51-0096RK-AMB	Strobe with horn, red housing, 8 to 33 VDC, NEMA 4X, SpectrAlert, with amber lens cover	250.00
51-0096RK-BLU	Strobe with horn, red housing, 8 to 33 VDC, NEMA 4X, SpectrAlert, with blue lens cover	250.00
51-0096RK-RED	Strobe with horn, red housing, 8 to 33 VDC, NEMA 4X, SpectrAlert, with red lens cover	250.00
51-0097-01-AMB	Strobe/horn,white upper housing,amber lens,no markings,high bright,NEMA 4X,8-33VDC, SpectrAlert,2wire	280.00
51-0097-01-BLU	Strobe/horn,white upper housing,blue lens,no markings,high bright,NEMA 4X,8-33VDC,SpectrAlert,2wire	280.00
51-0097-01-RED	Strobe/horn,white upper housing,red lens,no markings,high bright,NEMA 4X,8-33VDC,SpectrAlert,2wire	280.00
51-0097-01R-100	Strobe/horn,white upper housing,51-0097-01-RED w/100 ft cable	380.00
51-0097RK	Strobe light with horn, white housing, 96 - 132 VAC, NEMA 4X	320.00
51-0097RK-01	Strobe with horn, white upper housing, high brightness, 8 to 33 VDC, SpectrAlert, clear lens	240.00
51-0097RK-AMB	Strobe with horn, white housing, 96-132VAC, NEMA 3R, SpectrAlert, with amber lens cover	365.00
51-0097RK-BLU	Strobe with horn, white housing, 96-132VAC, NEMA 3R, SpectrAlert, with blue lens cover	365.00
51-0097RK-RED	Strobe with horn, white housing, 96-132 VAC, NEMA 3R, SpectrAlert, with red lens cover	365.00
51-0098-01	Strobe, red housing, with clear lens, 96 to 132 VAC, NEMA 3R	240.00
51-0098-01-AMB	Strobe, red housing, with amber lens cover, 96 to 132 VAC, NEMA 3R, SpectraAlert	265.00
51-0098-01-RED	Strobe, red housing, with red lens cover, 96 to 132 VAC, NEMA 3R, SpectraAlert	265.00
51-0098-AMB	Strobe, red housing, with amber lens cover, 8 to 33 VDC, NEMA 4X, SpectraAlert	180.00
51-0098-RED	Strobe, red housing, with red lens cover, 8 to 33 VDC, NEMA 4X, SpectraAlert	180.00
51-0098RK	Strobe,red housing,no markings,8 to 33 VDC,NEMA 4X	160.00
51-0099RK	Strobe light with horn, white housing, no markings, 8 to 33 VDC, NEMA 4X, SpectrAlert, with clear lens cover	275.00
51-0100	Strobe, white housing, with clear lens, 8 to 33 VDC, high candela, NEMA 4X, SpectrAlert	170.00
51-0100-01	Strobe, white housing, with clear lens, 96-132 VAC, high candela, NEMA 3R, SpectrAlert	260.00
51-0100-01-AMB	Strobe,white housing,no markings,w/amber lens cover,96-132 VAC,high candela,NEMA 3R,SpectrAlert	300.00
51-0100-01-BLU	Strobe,white housing,no markings,w/blue lens cover,96-132 VAC,high candela,NEMA 3R,SpectrAlert	300.00
51-0100-AMB	Strobe, white housing, with amber lens cover, 8 to 33 VDC, NEMA 4X, SpectraAlert	200.00
51-0100-BLU	Strobe, white housing,no markings,w/blue lens cover,8 to 33 VDC,NEMA 4X	200.00
51-0100-RED	Strobe, white housing,no markings,w/red lens cover,8 to 33 VDC,NEMA 4X	200.00
51-0100-RED-01	Strobe,white housing,no markings,51-0100-RED with 100 ft cable.....	300.00
51-0100-RED-02	Strobe,white housing,no markings,51-0100-RED with 50 ft cable	270.00

Numerical Index

Part#	Description	Suggested Retail
51-0102	Horn/strobe,std brightness,white housing,no markings,NEMA 4X,4-wire,16 to 33 VDC	240.00
51-0102-AMB	Horn with strobe, standard brightness, white housing, NEMA 3R, 4-wire, 16 to 33 VDC, amber lens, SpectraAlert	240.00
51-0102-RED	Horn with strobe, standard brightness, white housing, NEMA 3R, 4-wire, 16 to 33 VDC, red lens, SpectraAlert	240.00
51-0104-RED	Horn with strobe, standard brightness, white housing, NEMA 3R, 4-wire, 96-132 VAC, red lens, SpectraAlert	265.00
51-0105	Horn with strobe, red housing, 8 to 33 VDC, NEMA 4X, SpectrAlert, 4 wire.....	220.00
51-0105-AMB	Strobe/horn,red housing,,8 to 33 VDC,NEMA 4X,SpectrAlert,4 wire,amber lens cover.	250.00
51-0105-RED	Horn with strobe, red housing, 8 to 33 VDC, NEMA 4X, SpectrAlert, 4 wire, with red lens cover	250.00
51-0122RK	Strobe,XP for Class I Div I Grps C & D,NEMA 4X,120 VAC,clear lens,Federal 27XST-120C	3,900.00
51-0125	Strobe, explosion proof for Class I, Div I, Groups C & D,NEMA 4X, 120 VAC, red lens, pendant mounting, Federal 27XST-120R	3,900.00
51-0125-AMB	Strobe,XP Class I Div I Grps C & D,NEMA 4X,120 VAC,amber lens,pendant mounting,Federal 27XST-120A	3,900.00
51-0131-AMB	Horn with strobe, outdoor, panel mounting, 120 VAC, 4 wire, amber lens, Edwards 868STRA-N5.....	850.00
51-0131-AMB-24	Horn with strobe, outdoor, panel mounting, 24 VDC, 24 watt lamp, 4 wire, amber lens, Edwards 868STRA-N5	620.00
51-0131-BLU	Horn with strobe, outdoor, panel mounting, 120 VAC, 4 wire, blue lens, Edwards 868STRB-N5	850.00
51-0131-RED	Horn with strobe, outdoor, panel mounting, 120 VAC, 4 wire, red lens, Edwards 868STRR-N5	850.00
51-0141RK	Strobe/horn,indoor,flush mtg.,120 VAC,blue lens,Edwards 869STRB-N5.....	850.00
51-0166	Stack light / horn, 115 VAC, red/amber/green, steady, outdoor, Signaworks S370B-110-RAG-RI1	740.00
51-0174	Strobe, red, low profile,12-48 VDC in, Federal Signal Streamline LP3S-012/048R	365.00
51-0198D-GRN	Strobe light, Green, 12-24 VDC, NEMA 4X, Federal Signal SLM350R, with deep base.....	340.00
51-0198D-RED	Strobe light, Red, 12-24 VDC, NEMA 4X, Federal Signal SLM350R, with deep base.....	340.00
51-0202T-RED	Strobe with horn, Red, 12-24 VAC/VDC, 1/2 NPT tube mount, Werma EvoSignal, IP66	400.00
51-0210	Stack light, 24 VDC, red/green, steady, IP65, Patlite LR7-202WJNW-RG	230.00
51-0214	Stack light / horn, 24 VDC, red/amber/flashing, steady, IP65, Patlite LR6-202WJBW-RY	320.00
51-0215	Stack light / horn, 24 VDC, red/blue/flashing, steady, IP65, Patlite LR6-202WJBW-RB	320.00
51-0215-10	Adder,Stack light,24VDC, red/blue/flashing buzzer,steady, IP65, Patlite LR6-202WJBW-RB,as installed ...	320.00
51-1100RK	Display module,LCD,4x20,Optrex	55.00
51-1100RK-01	Display,LCD,4x20,W/cable,EAGLE	70.00
51-1100RK-02	Display module,LCD,4x20,Optrex,w/header,for fixed system replacement.....	70.00
51-1114RK	Display,Beacon 100	26.25
51-1115RK	LCD display,GasWatch 2	24.00
51-1119RK	LCD module assembly with flat cable for GX-2009	30.00
51-1120RK	LCD module,RX-415/RI-415	190.00
51-1125RK	LCD display, GX-2012 / Gas Tracer	60.00
51-1128-01	Display Module,OLED,4x20,OKAYA RW2004A-G5N-O,with header for fixed system replacement	64.00
51-1130	LCD Module for 03 series	18.00
51-1134	LCD module for FP-31	54.00
51-1137	LCD module,RX-8000	115.00
51-1138	LCD module for GX-8000 / SC-8000	115.00
51-1139	LCD module, BT-D-128160B-FBWB-G-G, for GX-6000	60.00
51-1140	LCD module M9587,OX-600/EC-600	76.00
51-1148	LCD module,SDM-6000,LMTM035QVGNB-4R.....	180.00
51-1151	LCD Module,04 Series.....	22.00
51-1152	LCD module, GX-Force	36.00
51-1503	Replacement lamp only, 0-50/-2000/-6000/ HPPM long life type for any 10.6 eV or 10.0 eV PID.	220.00
51-1504	Replacement lamp, 0-1000 ppm for PID-004, 11.7 eV lamp in GX-6000 or VOC Pro	550.00
52-0003RK	Horn, 115 VAC, vibratory, NEMA 4X, Edward's 876-N5	400.00
52-0003RK-240	Horn,vibrating,240 VAC .06 A,NEMA 4X,Edwards 876-R5	285.00
52-0004RK	Horn, 24 VDC, vibrating, Federal 450-24 VDC	495.00
52-0005RK	Horn, 115 VAC, Federal Signal 350-WBX, for hazardous locations, Class I Div 2	1,000.00
52-0006RK	Vibrating horn, explosion proof for Class 1, Div. I, groups E,F,G, 120 VAC, Federal Signal 31X-120-3	1,980.00
52-0007	Horn,vibrating,24 VDC .16 A,NEMA 4X,Edwards 877-G1	340.00
52-0008	Horn,electronic,12/24 VDC,NEMA 4x,for Class I/II Div 2,Class III,Federal Signal 450EWB-024	980.00
52-1006RK	Buzzer, piezo, FDK EB4015A-30C150-9V, 3-12 V	16.80
52-1009RK	Buzzer/vibrator w/wires,GX-2001, new style.....	15.00
52-1016RK	Buzzer,piezo,panel mounting,1.25 dia,AI3736PC28R,for Beacon 110/200/410/800	26.00
52-1017RK-01	Internal buzzer, extra loud (90 db at 2 feet), added to EAGLE top case	85.00
52-1017RK-03	Buzzer,Loud,added to existing Eagle.....	80.00

Numerical Index

Part#	Description	Suggested Retail
52-1017RK-04	Buzzer,Loud,added to non UL/CSA type std Eagle top.....	60.00
52-1019RK	Buzzer,Panel/Flange Mount,Eagle 2	8.00
52-1019RK-01	Buzzer,replacement w/cable and connector,Panel/Flange Mount,Eagle 2	13.00
52-1021	Buzzer,piezo,panel mounting,1-16 VDC,Intervox BRP45355-12-C	11.60
54-2903RK	Converter, DC-DC,isolated,24V to 5V,1 watt,single output,DCP012405BP	40.00
54-7114RK-101	Eprom,Eagle,standard 4-gas,for Microchip EEPROM	20.00
57-0010RK	PCB assembly, main CPU, EAGLE	368.00
57-0011RK	PCB assembly, analog, EAGLE	420.00
57-0012RK	Data logging board for field installation (also need 82-5007RK), EAGLE (check availability)	140.00
57-0012RK-01	Data logging board, factory installed (also need 82-5007RK), EAGLE (check availability)	140.00
57-0019RK	PCB assembly, battery, jumper side, EAGLE	36.00
57-0020RK	PCB assembly, I. S. barrier / battery power, standard EAGLE (No IR sensors)	68.00
57-0020RK-01	PC Board assembly,ISB/bat,Eagle w/IR	80.00
57-0020RK-03	PC Board assembly,ISB/bat,Eagle w/2 IR's	98.00
57-0028RK	PC Board assembly,display, Beacon 800	270.00
57-0029-01	PC Board assembly,main, 8 channel,setup for replacement	1,200.00
57-0035RK-01	PCB assembly, CO, 0 - 300 ppm, 4-20 mA transmitter, M Series	120.00
57-0036RK	PCB assy,Beacon 800 power relay board	200.00
57-0037RK	PCB assy,Beacon 800, 4-20 mA/1-5VDC Output Board.....	300.00
57-0050RK	Main PCB assy,Beacon 200	960.00
57-0070RK-01	Display PCB assembly,CSA dimensions,Beacon 200,programmed	380.00
57-0075RK	Display assembly, LCD for M2 smart transmitter/Beacon 110	90.00
57-0078RK	PCB assembly,main,4-wire low current LEL,w/o charging,Beacon 110	420.00
57-0078RK-01	PCB assembly,main,4-wire low current LEL,with charging,Beacon 110	440.00
57-0078RK-11	PCB assembly,main,4-wire low current LEL,w/charging,programmed w/wires and power supply, Beacon 110	470.00
57-0078RK-12	PCB assembly,main,4-wire low current LEL,w/o charging,programmed w/wires,no power supply, Beacon 110	430.00
57-0078RK-13	PCB assembly,main,4-wire low current LEL,w/charging,programmed w/wires,no power supply, Beacon 110	450.00
57-0086RK-01	PCB assembly,12 to 24V DC-DC converter,Beacon 110 rig monitor.	98.00
57-0089RK	Display PCB assembly, Beacon 410, with LCD display	190.00
57-0089RK-01	PCB Assy,Display,Beacon 410/410A,Low Temperature,4x20 OLED	200.00
57-0100RK	PCB Assy,Pogo Pin/IS Barrier,Eagle 2	80.00
57-0102RK-01	PC board assembly, main replacement, EAGLE 2	600.00
57-0103RK-01	PC board assembly, LCD replacement, EAGLE 2	250.00
57-0109RK	PC board assembly, sub PCB, ESM-01, EAGLE 2	140.00
57-0110RK	PC board assembly, sub PCB, IR, EAGLE 2	140.00
57-0111RK	PC board assembly, sub PCB, TC, EAGLE 2	140.00
57-0112RK-01	PC board assembly, sub PCB, PID, reprogrammed and defaulted, EAGLE 2	140.00
57-0140RK	PCB Assembly,CO/H2S 4-20 mA,35-3001.	70.00
57-0141RK	PCB Assembly,Main,35-3001	150.00
57-0142RK	PCB Assembly,flowmeter ,35-3001	40.00
57-0149RK-02	PCB Assy,H2S Preamp w/ RKK Jumper,Sample Draw Mtg	45.00
57-0150RK	Display assembly, OLED for M2A	90.00
57-0150XL-01	Display assembly, OLED for M2A-XL	90.00
57-0157	PCB Assy,main,Beacon 410A,w/ External EEPROM,without battery charging.....	1,600.00
57-0157-01	PCB Assy,main,Beacon 410A,w/ External EEPROM,with battery charging	1,660.00
57-0157-03	PCB Assy,Main,Digester,without battery charging	1,660.00
57-0157-06	PCB Assy,Main,for Beacon B410 replacement,w/ External EEPROM,without battery charging	1,660.00
57-0157-07	PCB Assy,Main Digester, Replacement Kit,w/ External EEPROM,without battery charging	1,660.00
57-0168-01	Sensor module PC board assembly for Beacon 3200, accepts 4 channels per sensor module (Not needed for Modbus detector inputs)	480.00
57-0169-01	Relay module PC board assembly for Beacon 3200, provides 8 programmable relays per relay module ...	280.00
57-1050RK	Xmtr,4-20 ma,LEL,S type, as sold	250.00
57-1053RK	Transmitter, S2, LEL, 4-20 mA, standard version, 4 wire (low current) detector	300.00
57-1053RK-01	Xmtr,S2,LEL,potted,4-20 mA,Std version,4-wire (low current) detector,w/out orienting gasket	300.00
57-1060RK	Xmtr,4-20 ma,H2S/CO,S type	240.00
57-1061RK	Transmitter, 4-20 mA, Oxygen, S-type with temperature compensation for CT sensor, (old style)	240.00
57-1062RK	Transmitter, 4-20 mA, Oxygen, S-type with temperature compensation, (standard O2 amplifier)	240.00
57-1064RK-01	Transmitter, S2, Oxygen, 0-25%, 4-20 mA, with gasket.....	300.00

Numerical Index

Part#	Description	Suggested Retail
57-1064RK-02	Xmtr,S2,potted,4-20 mA,0-100% Oxy, with gasket	300.00
57-1064RK-03	Transmitter, S2, toxics, 4-20 mA, with gasket	300.00
57-1064RK-50	Xmtr,S2,potted,4-20 mA,installed in 18-0400RK junction box	400.00
57-1070-01	Transmitter,S2,potted,MOS,linearizing,ppm H2 and hexane,4-20 mA,with orienting gasket	400.00
57-1252RK	Potted assy,4-20mA xmtr,CO w/H2 compensation	300.00
57-1280RK-14	Terminal/relay board,potted,0-100 ppm CO,M2A Transmitter	440.00
57-1280RK-15	Terminal/relay board,potted,0-200 ppm CO,M2A Transmitter	440.00
57-1280RK-20	Terminal/relay board,potted,0-500 ppm NH3,M2A Transmitter	440.00
57-1280RK-21	Terminal/relay board,potted,0-50.0 ppm H2S,M2A Transmitter	440.00
57-1280RK-22	Terminal/relay board,potted,0-100 ppm NH3,M2A Transmitter	440.00
57-1280RK-23	Terminal/relay board,potted,0-3.00 ppm ClO2,M2A Transmitter	440.00
57-1280RK-25	Terminal/relay board,potted,0-200 ppm NH3,M2A Transmitter	440.00
57-1280RK-26	Terminal/relay board,potted,0-15 ppm NO2,M2A Transmitter	380.00
57-1281RK-04	Terminal/relay board,potted,0 - 5 % volume CH4,M2A Transmitter.....	440.00
57-1281RK-13	M2A transmitter,combustible/CO2, w/o detector	950.00
57-1281RK-16	M2A transmitter,combustible/CO2, w/o detector,w/magnet,specify gas and range	960.00
57-1281RK-17	M2A transmitter,combustible/CO2,w/o detector & j-box,specify gas and range	560.00
57-1281RK-18	Terminal/relay board,potted,0 - 9000 ppm CH4,M2A Transmitter	460.00
57-1281RK-19	Terminal/relay board,potted,0 - 20% CO2,M2A Transmitter.....	440.00
57-1282	Main PC board assembly, GP-03	160.00
57-1283	Main PC board assembly, OX-03	150.00
57-1284	Main PC board assembly, CO-03	150.00
57-1285	Main PC board assembly, HS-03	150.00
57-1286	Main PCB assembly for GX-6000	750.00
57-1287-01	Terminal/relay board, potted, O2, M2A-XL Transmitter, standard for OLED display	440.00
57-1287-02	Terminal/relay board, potted, CO, M2A-XL Transmitter, standard for OLED display	440.00
57-1287-03	Terminal/relay board, potted, H2S, M2A-XL Transmitter, standard for OLED display	440.00
57-1287-04	Terminal/relay board, potted, ASH3, M2A-XL Transmitter, standard for OLED display	440.00
57-1287-06	Terminal/relay board, potted, NH3, M2A-XL Transmitter, standard for OLED display	440.00
57-1287-08	Terminal/relay board, potted, PH3, M2A-XL Transmitter, standard for OLED display	440.00
57-1287-09	Terminal/relay board, potted, SO2, M2A-XL Transmitter, standard for OLED display	440.00
57-1287-11	Terminal/relay board, potted, HCN, M2A-XL Transmitter, standard for OLED display	440.00
57-1288-01	Terminal/relay board, potted, LEL, M2A-XL Transmitter, specify calibration gas, standard for OLED display	440.00
57-1288-02	Terminal/relay board, potted, LEL,H2 specific, M2A-XL Transmitter, standard for OLED display	440.00
57-1288-05	Terminal/relay board, potted, LEL,IR HC sensor, M2A-XL Transmitter, standard for OLED display	440.00
57-1288-06	Terminal/relay board, potted, IR CO2 sensor, 0 - 5,000 ppm, M2A-XL Transmitter, standard for OLED display	440.00
57-1288-07	Terminal/relay board, potted, IR CO2 sensor, 0 - 5%, M2A-XL Transmitter, standard for OLED display	440.00
57-1288-08	Terminal/relay board, potted, IR CO2 sensor, 0 - 50%, M2A-XL Transmitter, standard for OLED display	440.00
57-1288-09	Terminal/relay board, potted, IR CO2 sensor, 0 - 100%, M2A-XL Transmitter, standard for OLED display	440.00
57-1288-11	Terminal/relay board, potted, IR CH4 sensor, 0 - 100% volume, M2A-XL Transmitter, standard for OLED display	440.00
57-2001RK	PCB assembly,RP-2009	180.00
57-2005RK	PC board assembly, type 4 with cable for PID, EAGLE 2	36.00
57-2005RK-01	Adaptor assembly, type 4 to ESM-01 with cable, EAGLE 2	66.00
57-2027	PCB assembly,main,SDM-2009,setup for use	380.00
57-2028	PCB assembly,main,SDM-2012,setup for use	380.00
57-2041RK	Sensor PC board assembly, GX-2012	88.00
57-2042RK	Sensor PC board assembly, Gas Tracer	88.00
57-2043RK	CPU PC board assembly, GX-2012	640.00
57-2044RK	CPU PC board assembly, Gas Tracer	640.00
57-2050RK	CPU PCB assembly for GX-2001	240.00
57-2052RK	PCB main assembly, GX-2009.....	250.00
57-2053	PCB assembly,sensor,MSHA NO2 version,GX-2009	65.00
57-2053-01	PCB assembly,sensor,MSHA NO2 version,GX-2009,for replacement ONLY	65.00
57-2056RK	PCB assy,main,GW-2C.....	235.00
57-2062RK	Analog PC board assembly for GP-01	105.00
57-2065RK-OX	PCB assy,CPU,programmed for OX-01	80.00
57-2067RK	PC board assembly for sensor, buzzer and sensor socket for HS-01 and CO-01	68.00
57-2068RK	PCB assembly, CPU board for SC-01	140.00
57-2069RK	PCB assembly analog board for SC-01	175.00

Numerical Index

Part#	Description	Suggested Retail
57-2070RK	Display w/PCB assembly,SC-01	140.00
57-2071RK	PCB assembly,main,RX-415	650.00
57-2080RK	PCB assembly, RS-485 communication Board, RM-5000	90.00
57-2082	PCB assebmly,main,GX-8000	1,150.00
57-2083	PCB assebmly,amp,for types A-F,GX-8000	300.00
57-2086	PCB assembly,main,RX-8000 (specify which type of gas)	1,150.00
57-2087	PCB assembly,amp,RX-8000	875.00
57-2088	PCB assebmly,oxygen sensor,RX-8000.....	115.00
57-2089	PCB assembly, sensor unit, OX-600	125.00
57-2090	Main PCB,4-20 mA,GD-70D	728.00
57-2091	Main PCB assembly for FP-31.....	360.00
57-2092	Main PCB,OX-600	530.00
57-2093	Main PCB assembly,SDM-6000	975.00
57-2094	Charging PCB assembly,SDM-6000	125.00
57-2095	IO PCB assembly,SDM-6000	150.00
57-2096	LCD PCB assembly,SDM-6000	145.00
57-2097	Connecting PCB assembly,SDM-6000	54.00
57-2098	Li-Ion battery with battery board, for GX-3R.....	160.00
57-2099	PCB assembly,Li-ion battery with battery board,GX-3R Pro	160.00
57-2100	PCB assembly,sensor board,EC-600	125.00
57-2101	PCB assembly,terminal board (relay module),RI-600	160.00
57-2102	PCB assembly,amp board,RX-8700	875.00
57-2103	PCB assembly,DC power supply,OX-600/EC-600/RI-600	70.00
57-2104	PCB assembly,GX-3R Pro main board	500.00
57-2105	PCB assembly,main,GX-3R	500.00
57-2106	PCB assembly,main PCB with buzzer and display,GX-3R Pro	740.00
57-2116	PCB assembly, main PCB, pump housing, RP-3R	202.00
57-2117	PCB assembly, main PCB, SDM-3R	860.00
57-5092	Tab cover assembly for FP-31.....	56.00
57-7115	Sensor keeper,with CR2032 battery,for ESS type sensors.....	12.00
57-8021RK	PC Board assembly, NP-204	85.00
57-8050RK	Converter, 24 VDC to 24 VAC, for GD-D8 24 VDC type	100.00
60-1006RK	Flame Arrestor,CT-7 Sensor	100.00
60-1006RK-01	Flame Arrestor w/guard,CT-7 Sensor.....	120.00
60-1007RK	Flame arrestor w/plate,GP-204	44.00
60-5010RK	LEL filaments only, for HW-6244A, (for 61-0220RK), GX-82/-86, GX-82A/-86A, GP-82.....	40.00
61-0101RK	Sensor, LEL, 1/2" NPT, CH4, GTI, 61-0101 substitute, (NC-6242)	290.00
61-0101RK-02	Sensor,LEL,1/2 inch NPT,CH4,NC-6242,w/o rain shield.....	280.00
61-0126CRK	Sensor,LEL,1/2" NPT,CH4,GTI 61-0126C sub,NC-6242,CSA classified	330.00
61-0140RK	Sensor, LEL combustible (catalytic), direct connection (no transmitter, no j-box), UL version	280.00
61-0140RK-01	Sensor, LEL, 1/2" NPT, CH4 (NC-6241), without rain shield	270.00
61-0140RK-03	Sensor,LEL,1/2 NPT,NC-6241,w/3' cable.....	300.00
61-0140RK-05	Sensor, LEL combustible (catalytic), direct connection (no transmitter, no j-box), cCSAus version	320.00
61-0140RKA	Sensor, PPM and low LEL combustible (catalytic), direct connection (no transmitter, no j-box)	330.00
61-0140RKA-05	Sensor, PPM and low LEL combustible (catalytic), direct connection (no transmitter, no j-box), cCSAus version	380.00
61-0155RK	Sensor, LEL H2 only, plug-in, (NC-6244) for EAGLE 2, 35-3001, 35-3000, GD-A8/D8	250.00
61-0160RK	Sensor, Hydrogen (H2) 0-2,000 ppm, MOS, 1/2 NPT, UL version	400.00
61-0160RK-02	Sensor, H2, 0-2000 ppm, 1/2" NPT, SG-8546, without shield	400.00
61-0165RK	Sensor, Hydrogen (H2), 0-2000 ppm, SG-8541, plug-in	420.00
61-0165RK-4000	Sensor,H2,0-4000 ppm,plug-in,SG-8541	420.00
61-0180RK	Sensor,TC,TE-7560 in 1/2" NPT, RKI potted style	420.00
61-0190RK-CH4	Sensor, Methane (CH4) 0 - 100% LEL, IR, explosion proof direct connection, 3/4" NPT nipple (no transmitter, no j-box), cULus version	740.00
61-0190RK-HC	Sensor, Hydrocarbon (HC) 0 - 100% LEL, IR, isobutane standard calibration, explosion proof direct connection, 3/4" NPT nipple (no transmitter, no j-box), cULus version	740.00
61-0191-03DIS	Sensor,IR,3/4 inch NPT,0 - 5% CO2,with splashguard	780.00
61-0191RK-01	Sensor,IR,3/4 inch NPT,0 - 9,000 ppm CO2	740.00
61-0191RK-02	Sensor, Carbon Dioxide (CO2) 0 - 5,000 ppm, IR, explosion proof direct connection (no transmitter, no j-box), cULus version	740.00

Numerical Index

Part#	Description	Suggested Retail
61-0191RK-03	Sensor, Carbon Dioxide (CO2) 0 - 5%, IR, explosion proof direct connection (no transmitter, no j-box), cULus version	740.00
61-0191RK-04	Sensor,IR,3/4 inch NPT,0 - 20% CO2	740.00
61-0191RK-05	Sensor, Carbon Dioxide (CO2) 0 - 50%, IR, explosion proof direct connection (no transmitter, no j-box), cULus version	740.00
61-0191RK-10	Sensor, Carbon Dioxide (CO2) 0 - 100%, IR, explosion proof direct connection (no transmitter, no j-box), cULus version	740.00
61-0192RK-CH4	Sensor, Methane (CH4) 0 - 100% volume, IR, explosion proof direct connection, 3/4" NPT nipple (no transmitter, no j-box), cULus version	740.00
61-0192RK-HC	Sensor,IR,3/4 inch NPT,0 - 100 %Volume,HC	740.00
61-0198RK-01	Assembly,detector,IR,0 - 9,000 ppm CO2,Non XP w/replaceable sensor	700.00
61-0198RK-02	Sensor, IR Carbon Dioxide (CO2) 0-5,000 ppm, non explosion proof direct connect, replaceable sensor ...	700.00
61-0198RK-03	Sensor, IR Carbon Dioxide (CO2) 0-5%, non explosion proof direct connect, replaceable sensor	700.00
61-0198RK-04	Sensor, IR Carbon Dioxide (CO2) 0-20%, non explosion proof direct connect, replaceable sensor	700.00
61-0198RK-05	Sensor, IR Carbon Dioxide (CO2) 0-50%, non explosion proof direct connect, replaceable sensor	700.00
61-0198RK-10	Sensor, IR Carbon Dioxide (CO2) 0-100%, non explosion proof direct connect, replaceable sensor.....	700.00
61-0199RK-CH4	Assembly,detector,IR,0 - 100 %volume CH4,non XP w/replaceable sensor.....	700.00
61-0206-CH4	Detector assembly with replaceable sensor, IR, Methane (CH4) 0 - 100% LEL, explosion proof direct connection with 3/4" NPT conduit mounting (no transmitter, no j-box),	780.00
61-0206-HC	Detector assembly with replaceable sensor, IR, Hydrocarbon (HC) 0 - 100% LEL, explosion proof direct connection with 3/4" NPT conduit mounting (no transmitter, no j-box),	780.00
61-0207-02	Detector assembly with replaceable sensor, IR, Carbon Dioxide (CO2) 0 - 5,000 ppm, explosion proof direct connection, 3/4" NPT conduit mounting (no transmitter, no j-box), cULus version	780.00
61-0207-03	Detector assembly with replaceable sensor, IR, Carbon Dioxide (CO2) 0 - 5%, explosion proof direct connection, 3/4" NPT conduit mounting (no transmitter, no j-box), cULus version	780.00
61-0207-04	Detector assy,IR CO2, 0-20%,XP with replaceable sensor,3/4 inch NPT conduit mounting	780.00
61-0207-05	Detector assembly with replaceable sensor, IR, Carbon Dioxide (CO2) 0 - 50%, explosion proof direct connection, 3/4" NPT conduit mounting (no transmitter, no j-box), cULus version	780.00
61-0207-10	Detector assembly with replaceable sensor, IR, Carbon Dioxide (CO2) 0 - 100%, explosion proof direct connection, 3/4" NPT conduit mounting (no transmitter, no j-box), cULus version	780.00
61-0217RK	Sensor, LEL (HW - 6259A), GX-94 / Safetmate	160.00
61-0220RK	Sensor, LEL (complete), HW-6244A, GX-82 type	80.00
61-0230	LEL, MPStm type sensor, 3/4 inch NPT	700.00
61-0302	Sensor, Volatile Organic Compounds (VOC) 0-50 ppm, 10.6 eV PID, low ppm sensor for VOC Pro, Air Alert, AirLink VOC Pro, AirLink Alert	1,200.00
61-0303	Sensor, Volatile Organic Compounds (VOC) 0-2000 ppm, 10.6 eV PID, high ppm sensor for VOC Pro, Air Alert, AirLink VOC Pro, AirLink Alert	1,000.00
61-0304	Sensor, Volatile Organic Compounds (VOC) 0-100 ppm, 11.7 eV PID for VOC Pro, Air Alert, AirLink VOC Pro, AirLink Alert	1,700.00
61-0305	Sensor, Volatile Organic Compounds (VOC) 0-100 ppm/0-50 ppm for Benzene, 10.0 eV PID for VOC Pro, Air Alert, AirLink VOC Pro, AirLink Alert	1,200.00
61-1000RK	Sensor, LEL combustible (catalytic) with explosion proof j-box (no transmitter), (specify calibration), UL version	390.00
61-1000RK-04	Sensor, LEL combustible (catalytic) with explosion proof j-box (no transmitter), (specify calibration) and calibration adapter/splash guard	465.00
61-1000RK-05	Sensor, LEL combustible (catalytic) with explosion proof j-box (no transmitter), (specify calibration), CSA version.....	440.00
61-1000RKSS	LEL Sensor with XP stainless steel J-Box	490.00
61-1000RKSS-05	LEL Sensor with XP stainless steel J-Box,CSA type	540.00
61-1001RK	Sensor, LEL Hydrogen (H2) specific with explosion proof j-box (no transmitter), UL version.....	540.00
61-1001RK-03	Sensor, LEL Hydrogen (H2) specific with explosion proof j-box (no transmitter) and calibration adapter (only for use without rain guard)	595.00
61-1001RK-04	Sensor, LEL Hydrogen (H2) specific with explosion proof j-box (no transmitter) and calibration adapter/splash guard.....	615.00
61-1001RK-05	Sensor, LEL Hydrogen (H2) specific with explosion proof j-box (no transmitter), CSA version	570.00
61-1001RKSS	Hydrogen specific LEL sensor w/XP stainless steel j-box	630.00
61-1003RK-CH4	Sensor, IR, Methane (CH4) 0 - 100% LEL, explosion proof with j-box, UL version	850.00
61-1003RK-CH4-4	Sensor, IR, Methane (CH4) 0 - 100% LEL, explosion proof with j-box and calibration adapter/splash guard	890.00
61-1003RK-HC	Sensor, IR, Hydrocarbons (HC) 0 - 100% LEL, isobutane standard calibration, explosion proof with j-box, UL version	850.00

Numerical Index

Part#	Description	Suggested Retail
61-1003RK-HC-04	Sensor, IR, Hydrocarbon (HC) 0 - 100% LEL, explosion proof with j-box and calibration adapter/ splash guard	890.00
61-1003RKSS-CH4	Sensor, IR, Methane (CH4) 0 - 100% LEL, explosion proof with stainless steel j-box, UL version	950.00
61-1003RKSS-HC	IR LEL detector with XP Stainless Steel J-Box,HC	950.00
61-1004RK-01	IR detector with XP J-Box,CO2,0 - 9,000 ppm	850.00
61-1004RK-02	Sensor, IR, Carbon Dioxide (CO2) 0 - 5,000 ppm, explosion proof with j-box, UL version	850.00
61-1004RK-03	Sensor, IR, Carbon Dioxide (CO2) 0 - 5%, explosion proof with j-box, UL version	850.00
61-1004RK-03DIS	Sensor, IR, Carbon Dioxide (CO2) 0 - 5%, explosion proof with j-box with splashguard	890.00
61-1004RK-05	Sensor, IR, Carbon Dioxide (CO2) 0 - 50%, explosion proof with j-box, UL version	850.00
61-1004RK-10	Sensor, IR, Carbon Dioxide (CO2) 0 - 100%, explosion proof with j-box, UL version	850.00
61-1004RKSS-02	IR detector with XP Stainless Steel J-Box,CO2,0 - 5,000 ppm	950.00
61-1004RKSS-03	IR detector with XP Stainless Steel J-Box,CO2,0 - 5%	950.00
61-1004RKSS-05	IR detector with XP Stainless Steel J-Box,CO2,0 - 50%	950.00
61-1004RKSS-10	IR detector with XP Stainless Steel J-Box,CO2,0 - 100%	950.00
61-1006RK-CH4	Sensor, IR, Methane (CH4) 0 - 100% VOL, with j-box, UL version	850.00
61-1006RK-CH4-1	Sensor, IR, Methane (CH4) 0 - 100% vol, explosion proof with j-box, remote detector and splash guard/ cal cup, UL version	890.00
61-1006RKSS-CH4	IR 0 - 100% %volume CH4 detector with XP Stainless Steel J-Box	950.00
61-1007RK-01	IR detector with J-Box,CO2,0 - 9,000 ppm,non XP w/replaceable sensor	800.00
61-1007RK-02	Sensor, IR, Carbon Dioxide (CO2) 0 - 5,000 ppm, non explosion proof with j-box	800.00
61-1007RK-03	Sensor, IR, Carbon Dioxide (CO2) 0 - 5%, non explosion proof with j-box	800.00
61-1007RK-05	Sensor, IR, Carbon Dioxide (CO2) 0 - 50%, non explosion proof with j-box	800.00
61-1007RK-10	Sensor, IR, Carbon Dioxide (CO2) 0 - 100%, non explosion proof with j-box	800.00
61-1007RKSS-02	IR detector with stainless steel J-Box,CO2,0 - 5,000 ppm,non XP w/repaceable sensor	900.00
61-1007RKSS-03	IR detector with stainless steel J-Box,CO2,0 - 5%,non XP w/repaceable sensor	900.00
61-1007RKSS-05	IR detector with stainless steel J-Box,CO2,0 - 50%,non XP w/repaceable sensor	900.00
61-1007RKSS-10	IR detector with stainless steel J-Box,CO2,0 - 100% volume,non XP w/repaceable sensor	900.00
61-1020	LEL, Direct Connect, MPStm type detector with XP J-Box	820.00
61-1050RK	Hydrogen (H2) specific sensor / j-box, 0-2000 ppm	520.00
61-2000	Remote sensor mounting kit for Air Alert, non-explosion proof (order cable separately)	190.00
61-2001	Remote sensor mounting kit, explosion proof with 5-pin connector for T3A/AirLink T3A/VOC Pro/ AirLink VOC Pro (order cable separate)	450.00
61-2002	Remote sensor mounting kit, explosion proof for AirLink Alert/AirLink 6940NXP (order cable separate)	190.00
61-2003	Remote sensor mounting kit, explosion proof with 7-pin connector for T2A/AirLink 6900/ AirLink 6940XP (order cable separate)	450.00
61-5006RK	Sensor, IR, Methane (CH4) & Carbon Dioxide (CO2), RI/RX-415, model DE-3113-4	1,260.00
61-5007RK	Sensor, IR, Hydrocarbons (HC) & Carbon Dioxide (CO2), RI/RX-415, RX-8000, model DE-3123-1	1,260.00
61-5008RK	Detector assembly,IR,CH4/CO2,RX-515, model DE-3123-2,as sold	1,400.00
61-5010RK	IR sensor / pcb assembly, Carbon Dioxide (CO2), 0 - 5% volume range, EAGLE, DE-3113-1	750.00
61-5011RK	IR sensor / pcb assembly, Carbon Dioxide (CO2), 0 - 5,000 ppm & 10,000 ppm range, EAGLE, DE-3113-2	750.00
61-5012RK	IR sensor / pcb assembly, Carbon Dioxide (CO2), 0 - 20% & 60% volume range, EAGLE, DE-3113-6	750.00
61-5015RK	IR detector,0 - 1% CO2,DE-3113-5,RI-85	525.00
61-5016RK	IR detector,0 - 5% CO2,DE-3113-9,RI-85	525.00
61-5020RK	IR sensor / pcb assembly, Methane (CH4), 0 - 100% LEL & 0 - 100% volume autoranging, EAGLE, DE-3113-3	750.00
61-5021RK	IR sensor / pcb assembly, HC, 100 % LEL / 30% volume, autoranging, EAGLE, DE-3113-11	750.00
61-5025RK	IR sensor / pcb assembly, Methane (CH4), 0 - 100% LEL range, EAGLE	750.00
61-5039RK-CH4	Sensor, Methane (CH4) 0-100% LEL, IR, plug-in style	400.00
61-5039RK-HC	Sensor, Hydrocarbon (HC) 0-100% LEL, IR, plug-in style	400.00
61-5040RK-01	IR detector, plug-in,0 - 9,000 ppm CO2, replacement sensor only	400.00
61-5040RK-02	Sensor, IR Carbon Dioxide (CO2) 0-5,000 ppm, plug-in type, non-explosion proof	400.00
61-5040RK-03	Sensor, IR Carbon Dioxide (CO2) 0-5%, plug-in type, non-explosion proof.....	400.00
61-5040RK-04	IR detector, plug-in,CO2,20% vol,replacement sensor only	400.00
61-5040RK-05	Sensor, IR Carbon Dioxide (CO2) 0-50%, plug-in type, non-explosion proof	400.00
61-5040RK-06	IR detector, plug-in,CO2,10% vol, replacement sensor only	400.00
61-5040RK-10	Sensor, IR Carbon Dioxide (CO2) 0-100%, plug-in type, non-explosion proof.....	400.00
61-5041RK-CH4	Sensor, IR Methane (CH4) 0 - 100% vol, plug-in	400.00
62-0010RK	Sensor assembly for PS 2, LEL, with 30' cable	150.00
62-0011RK	Sensor assembly for PS 2, PPM, with 30' cable	150.00
62-0107RK	Sensor/flame arrestor assembly, for NP-204, RKK Style, MS-6311	140.00
62-0111-01	Sensor/flame arrestor/hardware, GP-204, RKK Style, converted from 62-0107RK	140.00

Numerical Index

Part#	Description	Suggested Retail
62-0121RK	Sensor,LEL,GX-7,Complete, (GE-5740-C2/B)	80.00
62-0125RK	Sensor, LEL / ppm Hydrocarbon (NC-6260), EAGLE standard catalytic sensor	200.00
62-0126RK	Sensor, LEL for GX-4000A (NS-2900-M)	80.00
62-0127RK	Sensor, LEL complete for SP-237H, GE-8241-C4C	275.00
62-0128RK	Sensor, PPM complete for SP-237H, SH-8141-C4C	275.00
62-0135RK	Sensor, LEL for NP-237H (GE-4641-S6-M), methane, propane, HC	275.00
62-0160A	Sensor replacement for SP-205A, SH-8619	195.00
62-0160ASC	Sensor replacement for SP-205ASC, SH-8621	195.00
65-0601RK	Sensor, Oxygen (O2) (OS-B3), for EAGLE, EAGLE 2, or RX-415	160.00
65-0612RK	Sensor, Oxygen, 2 wire with connector, GT (OS-BM1 with connector)	160.00
65-0613RK	Sensor, Oxygen (O2), Diffusion EAGLE	160.00
65-1025RK	Sensor, Oxygen (O2) 0 - 25%, capillary type, plug-in replacement for O2 assembly (65-2514RK & 65-2497RK)	140.00
65-1058RK	Sensor, Oxygen (O2), OS-BM1 for RX-8000, GX-8000, RX-515, -516, -517, GX-94	150.00
65-2003RK	Sensor, Carbon Monoxide (CO), ES-81, GX-82 type	175.00
65-2005RK	Sensor, Carbon Monoxide (CO), 0 - 500 ppm range, EAGLE/EAGLE 2	195.00
65-2007RK	Sensor, Carbon Monoxide (CO), ES-81 type with connector for 35-3000RK	200.00
65-2008RK	Sensor, Carbon Monoxide (CO) (ES-031), GX-94 / GX-8000	175.00
65-2009RK	Sensor, Carbon Monoxide (CO) sensor, H2 compensated, EAGLE	580.00
65-2024-01	Sensor, Sulfur Dioxide (SO2), 0 - 10 ppm, CT-7 style with added membrane	340.00
65-2032	Sensor,H2S,7 Series,0-5000,10000ppm Max Overload	200.00
65-2033RK	Sensor, Hydrogen Sulfide (H2S), ES-87A, GX-82 type	175.00
65-2035RK	Sensor, Hydrogen Sulfide (H2S), 0 - 100 ppm range, EAGLE (standard H2S sensor)	195.00
65-2037RK	Sensor, Hydrogen Sulfide (H2S), ES-87 type with connector for 35-3000RK	200.00
65-2039RK	Sensor, Hydrogen Sulfide (H2S) 0-200 ppm / 1,000 ppm	520.00
65-2049-01	Sensor, Hydrogen Cyanide (HCN), 0 - 15 ppm, CT-7 style, explosion proof and non explosion proof	450.00
65-2051-01	Sensor, Chlorine (Cl2), 0 - 5 ppm / 0 - 10 ppm, CT-7 style with added membrane	450.00
65-2052-01	Sensor, Chlorine Dioxide (ClO2), 0 - 1 ppm / 0 - 3 ppm / 0 - 5 ppm, CT-7 style with added membrane	450.00
65-2053-01	Sensor, Ammonia (NH3) 0-500 ppm, Sensoric CT-7 style with added membrane	450.00
65-2054-01	Sensor, Ammonia (NH3) 0-75 ppm, -100 ppm, -200ppm, Sensoric CT-7 style with added membrane	450.00
65-2058-01	Sensor, Nitrogen Dioxide (NO2), 0 - 15 ppm, CT-7 style with added membrane	450.00
65-2300RK-ASH3	Sensor, Arsine (AsH3) sensor, 0 - 1.5 ppm, direct connection with conduit mounting, non explosion proof (no transmitter, no j-box)	580.00
65-2300RK-HCN	Sensor, Hydrogen Cyanide (HCN) sensor, 0 - 15 ppm, direct connection with conduit mounting non explosion proof (no transmitter, no j-box)	580.00
65-2300RK-NH3	Sensor, Ammonia (NH3) sensor, 0 - 75 ppm, direct connection with conduit mounting, non explosion proof (no transmitter, no j-box)	580.00
65-2300RK-PH3	Sensor, Phosphine (PH3) sensor, 0 - 1 ppm, direct connection with conduit mounting, non explosion proof (no transmitter, no j-box)	580.00
65-2300RK-SO2	Sensor, Sulfur Dioxide (SO2) sensor, 0 - 6 ppm, direct connection with conduit mounting, non explosion proof (no transmitter, no j-box)	580.00
65-2301RK-ASH3	Sensor, Arsine (AsH3) sensor, 0 - 1.5 ppm, direct connection, non explosion proof with j-box (no transmitter)	700.00
65-2301RK-HCN	Sensor, Hydrogen Cyanide (HCN) sensor, 0 - 15 ppm, direct connection, non explosion proof with j-box (no transmitter)	700.00
65-2301RK-NH3	Sensor, Ammonia (NH3) sensor, 0 - 75 ppm, direct connection, non explosion proof with j-box (no transmitter)	700.00
65-2301RK-PH3	Sensor, Phosphine (PH3) sensor, 0 - 1 ppm, direct connection, non explosion proof with j-box (no transmitter)	700.00
65-2301RK-SO2	Sensor, Sulfur Dioxide (SO2) sensor, 0 - 6 ppm, direct connection, non explosion proof with j-box (no transmitter)	700.00
65-2301RKSS-ASH	Detector/XP stainless steel j-box assembly,ESM-01,ASH3 0-1.5 ppm	800.00
65-2301RKSS-HCN	Detector/XP stainless steel j-box assembly,ESM-01,HCN 0-15 ppm	800.00
65-2301RKSS-NH3	Detector/XP stainless steel j-box assembly,ESM-01,NH3 0-75 ppm	800.00
65-2301RKSS-PH3	Detector/XP stainless steel j-box assembly,ESM-01,PH3 0-1 ppm	800.00
65-2301RKSS-SO2	Detector/stainless steel j-box assembly,ESM-01,SO2 0-6 ppm	800.00
65-2302-CL2-10	Sensor, Chlorine (Cl2), 0 - 10 ppm, CT-7 style, non explosion proof	730.00
65-2302-CL2-3	Sensor, Chlorine (Cl2), 0 - 3 ppm, CT-7 style, non explosion proof	730.00
65-2302-CL2-5	Sensor, Chlorine (Cl2), 0 - 5 ppm, CT-7 style, non explosion proof	730.00
65-2302-CLO2-1	Sensor, Chlorine Dioxide (ClO2), 0 - 1 ppm, CT-7 style, non explosion proof	730.00
65-2302-CLO2-3	Sensor, Chlorine Dioxide (ClO2), 0 - 3 ppm, CT-7 style, non explosion proof	730.00

Numerical Index

Part#	Description	Suggested Retail
65-2302-CLO2-5	Sensor, Chlorine Dioxide (ClO2), 0 - 5 ppm, CT-7 style, non explosion proof	730.00
65-2302-HCN-15	Sensor, Hydrogen Cyanide (HCN), 0 - 15 ppm, CT-7 style, non explosion proof	730.00
65-2302-NH3-1	Sensor, Ammonia (NH3), 0 - 100 ppm, CT-7 style, non explosion proof	730.00
65-2302-NH3-2	Sensor, Ammonia (NH3), 0 - 200 ppm, CT-7 style, non explosion proof	730.00
65-2302-NH3-5	Sensor, Ammonia (NH3), 0 - 500 ppm, CT-7 style, non explosion proof	730.00
65-2302-NH3-75	Sensor, Ammonia (NH3), 0 - 75 ppm, CT-7 style, non explosion proof	730.00
65-2302-NH3-75L	Detector assembly,CT-7 non-XP type,0 - 75 ppm NH3,long-life/humidity-resistant	850.00
65-2302-NO2	Sensor, Nitrogen Dioxide (NO2) sensor, 0 - 15 ppm, direct connection with conduit mounting, non explosion proof (no transmitter, no j-box)	730.00
65-2302-SO2-10	Sensor, Sulfur Dioxide (SO2), 0 - 10 ppm, CT-7 style, non explosion proof	730.00
65-2303-CL2-10	Sensor, Chlorine (Cl2), 0 - 10 ppm, CT-7 style with j-box, non explosion proof	850.00
65-2303-CL2-3	Sensor, Chlorine (Cl2), 0 - 3 ppm, CT-7 style with j-box, non explosion proof	850.00
65-2303-CL2-5	Sensor, Chlorine (Cl2), 0 - 5 ppm, CT-7 style with j-box, non explosion proof	850.00
65-2303-CLO2-1	Sensor, Chlorine Dioxide (ClO2), 0 - 1 ppm, CT-7 style with j-box, non explosion proof	850.00
65-2303-CLO2-3	Sensor, Chlorine Dioxide (ClO2), 0 - 3 ppm, CT-7 style with j-box, non explosion proof	850.00
65-2303-CLO2-5	Sensor, Chlorine Dioxide (ClO2), 0 - 5 ppm, CT-7 style with j-box, non explosion proof	850.00
65-2303-HCN-15	Sensor, Hydrogen Cyanide (HCN), 0 - 15 ppm, CT-7 style with j-box, non explosion proof	850.00
65-2303-NH3-1	Sensor, Ammonia (NH3), 0 - 100 ppm, CT-7 style with j-box, non explosion proof	850.00
65-2303-NH3-2	Sensor, Ammonia (NH3), 0 - 200 ppm, CT-7 style with j-box, non explosion proof	850.00
65-2303-NH3-5	Sensor, Ammonia (NH3), 0 - 500 ppm, CT-7 style with j-box, non explosion proof	850.00
65-2303-NH3-75	Sensor, Ammonia (NH3), 0 - 75 ppm, CT-7 style with j-box, non explosion proof	850.00
65-2303-NH3-75L	Detector/j-box assembly,non XP,CT-7 type,NH3 0-75 ppm,long-life/humidity-resistant	970.00
65-2303-NO2	Sensor, Nitrogen Dioxide (NO2), 0 - 15 ppm, CT-7 style with j-box, non explosion proof	850.00
65-2303-SO2-10	Sensor, Sulfur Dioxide (SO2) 0 - 10 ppm, CT-7 style with j-box, non explosion proof	850.00
65-2306-CL2-3	Assembly,housing w/preamp,potted w/wires,CT-7 conduit mounting,Cl2, 0-3 ppm	180.00
65-2306-CL2-5	Assembly,housing w/preamp,potted w/wires,CT-7 conduit mounting,Cl2, 0-5 ppm	180.00
65-2306-CLO2-1	Assembly,housing w/preamp,potted w/wires,CT-7 conduit mounting,ClO2, 0-1 ppm	180.00
65-2306-CLO2-5	Assembly,housing w/preamp,potted w/wires,CT-7 conduit mounting,ClO2, 0-5 ppm	180.00
65-2306-NH3-1	Assembly,housing w/preamp,potted w/wires,CT-7 conduit mounting,NH3, 0-100 ppm	180.00
65-2306-NH3-2	Assembly,housing w/preamp,potted w/wires,CT-7 conduit mounting,NH3, 0-200 ppm	180.00
65-2306-NH3-5	Assembly,housing w/preamp,potted w/wires,CT-7 conduit mounting,NH3, 0-500 ppm	180.00
65-2306-NH3-75	Assembly,housing w/preamp,potted w/wires,CT-7 conduit mounting,NH3, 0-75	180.00
65-2306-NO2	Assembly,housing w/preamp,potted w/wires,CT-7 conduit mounting,NH3, 0-100 ppm	180.00
65-2320RK	S2 Series Oxygen (O2) 0-25% sensor / transmitter (partial pressure), non explosion proof with j-box	560.00
65-2320RK-100	S2 Series Oxygen (O2) 0-100% sensor / transmitter (partial pressure), non explosion proof with j-box	560.00
65-2320RK-C	S2 detector/amp/j-box,oxygen,partial pressure sensor,0 - 25% volume,CO2 resistant OS-C11 sensor	1,060.00
65-2321RK	S2 Series Oxygen (O2) 0-25% sensor / transmitter, (capillary type) non explosion proof with j-box	560.00
65-2321SS	S2 detector/amp/stainless steel j-box,non XP,oxygen,capillary sensor,0 - 25% volume	650.00
65-2322-04SS	S2 detector/amp/j-box,CSA XP,oxy,capillary sensor,0 - 25% vol,w/remote detector/splash guard/SS jbox	1,050.00
65-2322RK	S2 Series Capillary type, Oxygen (O2) 0-25 sensor/transmitter, explosion proof with j-box, CSA version	690.00
65-2322RKSS	S2 detector/amp/XP Stainless Steel j-box,CSA XP,oxygen,capillary sensor,0 - 25% volume	790.00
65-2330RK	S2 Series Hydrogen Sulfide (H2S) 0-100 ppm sensor / transmitter, non explosion proof with j-box	690.00
65-2330RKSS	S2 detector/amp/stainless steel j-box,non XPH2S,0 - 100 ppm	790.00
65-2331-04	S2 detector/amp/j-box,CSA XPH2S,0 - 100 ppm,w/remote detector/splashguard	920.00
65-2331RK	S2 Series Hydrogen Sulfide (H2S) 0-100 ppm sensor / transmitter, explosion proof with j-box, CSA version	790.00
65-2331RKSS	S2 detector/amp/XP Stainless Steel j-box,CSA XPH2S,0 - 100 ppm	890.00
65-2332	S2 detector/amp/j-box,CSA XPH2S,0 - 100 ppm,for repeated H2S exposure applications	1,180.00
65-2333	S2 Series Hydrogen Cyanide (HCN) sensor / transmitter, explosion proof with j-box, CSA version	995.00
65-2335RK	S2 Series Carbon Monoxide (CO) 0-300 ppm sensor / transmitter, non explosion proof with j-box	690.00
65-2335RKSS	S2 detector/amp/stainless steel j-box,non XP,CO,0 - 300 ppm	790.00
65-2336RK	S2 Series Carbon Monoxide (CO) 0-300 ppm sensor / transmitter, explosion proof with j-box, CSA version	790.00
65-2336RKSS	S2 detector/amp/XP Stainless Steel j-box,CSA XP,CO,0 - 300 ppm	890.00
65-2340RK-ASH3	S2 Series Arsine (AsH3) 0-1.5 ppm sensor / transmitter, non explosion proof with j-box	840.00
65-2340RK-HCN	S2 Series Hydrogen Cyanide (HCN) 0-15 ppm sensor / transmitter, non explosion proof with j-box	840.00
65-2340RK-NH3	S2 Series Ammonia (NH3) 0-75 ppm sensor / transmitter, non explosion proof with j-box	840.00
65-2340RK-PH3	S2 Series Phosphine (PH3) 0-1 ppm sensor / transmitter, non explosion proof with j-box	840.00
65-2340RK-SO2	S2 Series Sulfur Dioxide (SO2) 0-6 ppm sensor / transmitter, non explosion proof with j-box	840.00
65-2340RKSS-ASH	S2 detector/amp/XP Stainless Steel j-box,non XPE,SM-01 type,AsH3,0 - 1.5 ppm	940.00
65-2340RKSS-HCN	S2 detector/amp/XP Stainless Steel j-box,non XPE,SM-01 type,HCN,0 - 15 ppm	940.00
65-2340RKSS-NH3	S2 detector/amp/XP Stainless Steel j-box,non XPE,SM-01 type,NH3,0 - 75 ppm	940.00
65-2340RKSS-PH3	S2 detector/amp/XP Stainless Steel j-box,non XPE,SM-01 type,PH3,0 - 1 ppm	940.00

Numerical Index

Part#	Description	Suggested Retail
65-2340RKSS-SO2	S2 detector/amp/XP Stainless Steel j-box,non XP,ESM-01 type,SO2,0 - 6 ppm	940.00
65-2341-CL2-10	S2 Series Chlorine (Cl2) 0 - 10 ppm, CT-7 style sensor / transmitter, non explosion proof with j-box ...	1,150.00
65-2341-CL2-10A	S2 detector/amp/j-box,non XP,CT-7 type,CL2,0 - 10 ppm,for low background gas applications	1,450.00
65-2341-CL2-200	S2 detector/amp/j-box,non XP,CT-7 type,CL2,0 - 200 ppm,for low background gas applications	1,450.00
65-2341-CL2-3	S2 Series Chlorine (Cl2) 0 - 3 ppm, CT-7 style sensor / transmitter, non explosion proof with j-box	1,150.00
65-2341-CL2-5	S2 Series Chlorine (Cl2) 0 - 5 ppm, CT-7 style sensor / transmitter, non explosion proof with j-box	1,150.00
65-2341-CLO2-1	S2 Series Chlorine Dioxide (ClO2) 0 - 1 ppm, CT-7 style sensor / transmitter, non explosion proof with j-box	1,150.00
65-2341-CLO2-3	S2 Series Chlorine Dioxide (ClO2) 0 - 3 ppm, CT-7 style sensor / transmitter, non explosion proof with j-box	1,150.00
65-2341-CLO2-5	S2 Series Chlorine Dioxide (ClO2) 0 - 5 ppm, CT-7 style sensor / transmitter, non explosion proof with j-box	1,150.00
65-2341-HCN-15	S2 Series Hydrogen Cyanide (HCN) 0 - 15 ppm, CT-7 style sensor / transmitter, non explosion proof with j-box	1,150.00
65-2341-NH3-1	S2 Series Ammonia (NH3) 0 - 100 ppm, CT-7 style sensor / transmitter, non explosion proof with j-box	1,150.00
65-2341-NH3-2	S2 Series Ammonia (NH3) 0 - 200 ppm, CT-7 style sensor / transmitter, non explosion proof with j-box	1,150.00
65-2341-NH3-5	S2 Series Ammonia (NH3) 0 - 500 ppm, CT-7 style sensor / transmitter, non explosion proof with j-box	1,150.00
65-2341-NH3-75	S2 Series Ammonia (NH3) 0 - 75 ppm, CT-7 style sensor / transmitter, non explosion proof with j-box	1,150.00
65-2341-NH3-75L	S2 detector/amp/j-box,non XP,CT-7 type,NH3,0 - 75 ppm,long-life/humidity-resistant.....	1,270.00
65-2341-NO2	S2 Series Nitrogen Dioxide (NO2) 0 - 15 ppm, CT-7 style sensor / transmitter, non explosion proof with j-box	1,150.00
65-2341-SO2-10	S2 Series Sulfur Dioxide (SO2) 0 - 10 ppm, CT-7 style sensor / transmitter, non explosion proof with j-box	1,150.00
65-2380	LEL, S2, MPStm type sensor/transmitter/XP J-Box	1,050.00
65-2380SS	S2 detector/transmitter/stainless steel j-box,MPS type LEL,explosion proof	1,150.00
65-2390RK-CH4	S-Series Methane (CH4) 0-100% LEL, IR sensor / transmitter with j-box, UL version	1,150.00
65-2390RK-HC	S-Series Hydrocarbon (isobutane) 0-100% LEL, IR sensor / transmitter with j-box, UL version	1,150.00
65-2391RK-02	S-Series Carbon Dioxide (CO2) 0-5,000 ppm, IR sensor / transmitter with j-box, UL version	1,150.00
65-2391RK-03	S-Series Carbon Dioxide (CO2) 0-5%, IR sensor / transmitter with j-box, UL version	1,150.00
65-2391RK-05	S-Series Carbon Dioxide (CO2) 0-50%, IR sensor / transmitter with j-box, UL version	1,150.00
65-2391RK-10	Detector/transmitter/j-box,IR CO2,0 - 100%, S series	1,150.00
65-2394RK-CH4	S2 Series IR, Methane (CH4) 0-100% LEL sensor / transmitter with explosion proof j-box	1,040.00
65-2394RK-CH4-4	S2 Series IR Methane (CH4) 0-100% LEL, sensor / transmitter, with j-box, remote detector and calibration adapter/splash guard	1,190.00
65-2394RK-HC	S2 Series IR, Hydrocarbon (HC) 0-100% LEL sensor / transmitter with explosion proof j-box	1,040.00
65-2394RKSS-CH4	S2 detector/transmitter/XP Stainless Steel j-box,IR LEL,CH4,explosion proof.....	1,140.00
65-2394RKSS-HC	S2 detector/transmitter/XP Stainless Steel j-box,IR LEL,HC,explosion proof	1,140.00
65-2395RK-CH4	S2 Series IR, Methane (CH4) 0-100% volume sensor / transmitter with explosion proof j-box	1,140.00
65-2395RK-CH4-1	S2 Series IR Methane (CH4) 0-100% volume, sensor / transmitter, with j-box, remote detector and splash guard/cal cup	1,185.00
65-2395RK-CH4-4	S2 detector/xmitter/j-box,IR 0 - 100% volume,XP,w/remote detector/cal adptr/splash guard	1,190.00
65-2395RKSS-CH4	S2 detector/transmitter/XP Stainless Steel j-box,IR 0 - 100% volume,CH4	1,140.00
65-2396RK-02	S2 Series IR Carbon Dioxide (CO2) 0-5,000 ppm sensor / transmitter, explosion proof with j-box, UL version	1,040.00
65-2396RK-03	S2 Series IR Carbon Dioxide (CO2) 0-5% sensor / transmitter, explosion proof with j-box, UL version ...	1,040.00
65-2396RK-05	S2 Series IR Carbon Dioxide (CO2) 0-50% sensor / transmitter, explosion proof with j-box, UL version	1,040.00
65-2396RK-10	S2 Series IR Carbon Dioxide (CO2) 0-100% sensor / transmitter, explosion proof with j-box, UL version	1,040.00
65-2396RKSS-02	S2 detector/transmitter/XP Stainless Steel j-box,IR,0 - 5,000 ppm CO2	1,140.00
65-2396RKSS-03	S2 detector/transmitter/XP Stainless Steel j-box,IR,0 - 5% CO2	1,140.00
65-2396RKSS-05	S2 detector/transmitter/XP Stainless Steel j-box,IR,0 - 50% CO2	1,140.00
65-2396RKSS-10	S2 detector/transmitter/XP Stainless Steel j-box,IR,0 - 100% CO2	1,140.00
65-2397-03-04	S2 detector/transmitter/j-box,IR,0 - 5% CO2,non XP w/replaceable sensor,remote mount	1,035.00
65-2397RK-01	S2 detector/transmitter/j-box,IR,0 - 10,000 ppm CO2,non XP w/replaceable sensor	940.00
65-2397RK-02	S2 Series IR Carbon Dioxide (CO2) 0-5,000 ppm, non explosion proof with j-box	940.00
65-2397RK-03	S2 Series IR Carbon Dioxide (CO2) 0-5%, non explosion proof with j-box	940.00
65-2397RK-05	S2 Series IR Carbon Dioxide (CO2) 0-50%, non explosion proof with j-box.....	940.00
65-2397RK-10	S2 Series IR Carbon Dioxide (CO2) 0-100%, non explosion proof with j-box	940.00
65-2397RKSS-02	S2 detector/transmitter/XP Stainless Steel j-box,IR,0-5000 ppm CO2,non-explosion proof	1,040.00
65-2397SS-03	S2 detector/transmitter/XP Stainless Steel j-box,IR,0-5% volume CO2,non-explosion proof.....	1,040.00
65-2397SS-10	S2 detector/transmitter/XP Stainless Steel j-box,IR,0-100% volume CO2,non-explosion proof	1,040.00
65-2400RK	S-Series LEL sensor (catalytic) / transmitter with explosion proof j-box, UL version	900.00

Numerical Index

Part#	Description	Suggested Retail
65-2400RK-05	S-Series LEL sensor (catalytic) / transmitter with explosion proof j-box, CSA version	950.00
65-2405-NS	S2 LEL Transmitter/detector/j-box,4 - 20 mA,without detector,Specify Gas	420.00
65-2405RK	S2 Series LEL 0-100% sensor (catalytic) / transmitter with explosion proof j-box, UL version, (specify calibration)	620.00
65-2405RK-04	S2 Series LEL 0-100% sensor (catalytic) / transmitter with j-box, (specify calibration), remote detector and calibration adapter/splash guard	770.00
65-2405RK-05	S2 Series LEL 0-100% sensor (catalytic) / transmitter with explosion proof j-box, CSA version, (specify calibration)	670.00
65-2405RK-05-04	S2 LEL Transmitter/detector/j-box,4-20 mA,w/remote det/cal adpt/splash guard,CSA type, Specify Cal	820.00
65-2405RK-NJB	S2 LEL Transmitter/detector, no junction box,4 - 20 mA	530.00
65-2405RKSS	S2 LEL Transmitter/detector/XP Stainless Steel j-box,4 - 20 mA, Specify Calibration	720.00
65-2405RKSS-05	S2 LEL Xmitter/detector/XP SS j-box,4 - 20 mA, CSA Version, Specify Calibration	770.00
65-2408	Sensor housing/preamp, potted,with wires CO CT 7 CSA RF resistant	180.00
65-2415	Sensor housing/preamp,potted,w/wires,HCn CT-7 CSA,RF resistant	180.00
65-2418	Sensor housing/preamp,potted,w/wires,H2S CT-7 CSA,RF resistant	180.00
65-2422RK-05	S-Series Hydrogen Sulfide (H2S) sensor / transmitter with explosion proof j-box, CSA version	1,075.00
65-2424RK	Hydrogen Sulfide (H2S) sensor / transmitter in plastic enclosure (non explosion proof)	320.00
65-2425	Sensor, Hydrogen Cyanide (HCN), direct connection (no transmitter, no j-box)	800.00
65-2427RK-05	Sensor, Hydrogen Sulfide (H2S) with j-box, CSA version	540.00
65-2427RKSS-05	Sensor/XP stainless steel j-box,H2S,CT7,CSA version	640.00
65-2428	Sensor, Hydrogen Sulfide (H2S), direct connection (no transmitter, no j-box)	440.00
65-2428-01	Sensor assy,0-100 ppm H2S,w/Preamp,RF resistant,for frequent H2S exposure applications	780.00
65-2428-NS	Sensor assy, H2S, w/Preamp, CT-7,CSA classified,RF resistant,no Sensor	300.00
65-2429	Sensor, Hydrogen Cyanide (HCN) with j-box, Available Q4 2022	900.00
65-2432RK-05	S-Series Carbon Monoxide (CO) sensor / transmitter with j-box, CSA version	1,075.00
65-2434RK	Carbon Monoxide (CO) sensor / transmitter in plastic enclosure (non explosion proof)	320.00
65-2435RK	Sensor, Carbon Monoxide (CO), H2 compensated, S Series sensor / transmitter, with j-box	1,600.00
65-2437RK-05	Sensor, Carbon Monoxide (CO) with j-box, CSA version	540.00
65-2437RKSS-05	Sensor/XP Stainless Steel j-box,CO,CT7,CSA version	640.00
65-2438	Sensor, Carbon Monoxide (CO), direct connection (no transmitter, no j-box), CSA version	440.00
65-2445-100	S2 Series Hydrogen (H2) specific 0 - 100 ppm linearized, dual-pot MOS sensor/transmitter with explosion proof j-box, UL	820.00
65-2445-100-05	S2 Series Hydrogen (H2) specific 0 - 100 ppm linearized, dual-pot MOS sensor/transmitter with explosion proof j-box, CSA	870.00
65-2445-1000	S2 Series Hydrogen (H2) specific 0 - 1000 ppm linearized, dual-pot MOS sensor/transmitter with explosion proof j-box, UL	820.00
65-2445-1000-05	S2 Series Hydrogen (H2) specific 0 - 1000 ppm linearized, dual-pot MOS sensor/transmitter with explosion proof j-box, CSA	870.00
65-2445-2000	S2 Series Hydrogen (H2) specific 0 - 2000 ppm linearized, dual-pot MOS sensor/transmitter with explosion proof j-box, UL	820.00
65-2445-2000-05	S2 Series Hydrogen (H2) specific 0 - 2000 ppm linearized, dual-pot MOS sensor/transmitter with explosion proof j-box, CSA	870.00
65-2445-500	S2 Series Hydrogen (H2) specific 0 - 500 ppm linearized, dual-pot MOS sensor/transmitter with explosion proof j-box, UL	820.00
65-2445-500-05	S2 Series Hydrogen (H2) specific 0 - 500 ppm linearized, dual-pot MOS sensor/transmitter with explosion proof j-box, CSA	870.00
65-2446-500	S2 Series MOS, Hexane (C6H14) 0-500 ppm linearized sensor/transmitter, dual pot, with explosion proof j-box, UL	820.00
65-2446-500-05	S2 Series MOS, Hexane (C6H14) 0-500 ppm linearized sensor/transmitter, dual pot with explosion proof j-box, CSA	870.00
65-2450RK	S-Series LEL Hydrogen (H2) specific sensor / transmitter with explosion proof j-box, UL version	1,050.00
65-2450RK-05	S-Series LEL Hydrogen (H2) specific sensor / transmitter with explosion proof j-box, CSA version	1,100.00
65-2451RK	S2 Series Hydrogen (H2) specific 0 - 100% LEL sensor/transmitter with explosion proof j-box, UL	770.00
65-2451RK-04	S2 Series Hydrogen (H2) specific 0-100% LEL (catalytic) sensor/transmitter with j-box, remote detector and calibration adapter/splash guard	920.00
65-2451RK-05	S2 Series Hydrogen (H2) specific 0 - 100% LEL sensor/transmitter with explosion proof j-box, CSA	820.00
65-2451RKSS	S2 LEL xmtr/detector/XP Stainless Steel j-box,4-20 mA,H2 specific	920.00
65-2451RKSS-05	S2 LEL xmtr/detector/XP Stainless Steel j-box,4-20 mA,H2 specific, CSA Version	970.00
65-2462RK	S2 Series TC, Hydrogen (H2) 0-10% vol sensor / transmitter, explosion proof with j-box	1,100.00
65-2462RK-04	S2 Transmitter/det/j-box,4-20 mA,0-10% Vol H2,TC sensor,w/remote det & cal adptr/splashguard	1,250.00
65-2463RK	S2 Series Methane (CH4) 0-100% vol sensor (TC) / transmitter, explosion proof with j-box	1,100.00

Numerical Index

Part#	Description	Suggested Retail
65-2463RK-12	S2 Transmitter/detector/j-box,4 - 20 mA, 0-100% volume CH4,detector w/out guard	1,110.00
65-2470RK	Sensor assy,CO,H2 compensated,(preamp & sensor)	800.00
65-2471RK	Sensor housing/preamp,potted,w/wires,CO,H2 comp.	180.00
65-2480-06	J-box w/detectors,LEL/Oxygen,explosion proof	875.00
65-2480RK-01	Multi-sensor, direct connection for LEL (catalytic) / O2 / H2S with j-box, UL version	1,300.00
65-2480RK-02	Multi-sensor, direct connection for LEL (catalytic) / O2 / CO with j-box, UL version	1,300.00
65-2480RK-03	Multi-sensor, direct connection for LEL (catalytic) / H2S with j-box, UL version	975.00
65-2480RK-04	Multi-sensor, direct connection for LEL (catalytic) / CO with j-box, UL version	975.00
65-2480RK-05	Multi-sensor, direct connection for LEL (catalytic) / H2S / CO with j-box, CSA version	1,400.00
65-2480RK-51	Multi-sensor, direct connection for LEL (catalytic) / O2 / H2S with j-box, CSA version	1,400.00
65-2480RK-52	Multi-sensor, direct connection for LEL (catalytic) / O2 / CO with j-box, CSA version	1,400.00
65-2480RK-53	Multi-sensor, direct connection for LEL (catalytic) / H2S with j-box, CSA version	1,025.00
65-2480RK-54	Multi-sensor, direct connection for LEL (catalytic) / CO with j-box, CSA version	1,025.00
65-2481-50	J-box w/detectors,LEL/Oxygen/H2S/CO,CSA heads only,explosion proof	1,950.00
65-2481RK	Multi-sensor, direct connection for LEL (catalytic) / O2 / H2S / CO with j-box.....	1,900.00
65-2481RK-01	Multi-sensor, direct connection for IR LEL (CH4) / O2 / H2S / CO with j-box	2,300.00
65-2481RK-02	Multi-sensor, direct connection for IR LEL (HC) / O2 / H2S / CO with j-box	2,300.00
65-2482RK-01	Multi-sensor, direct connection for IR LEL (CH4) / O2 / H2S with j-box, UL version.....	1,800.00
65-2482RK-02	Multi-sensor, direct connection for IR LEL (CH4) / O2 / CO with j-box, UL version	1,800.00
65-2482RK-03	Multi-sensor, direct connection for IR LEL (CH4) / H2S with j-box, UL version	1,400.00
65-2482RK-04	Multi-sensor, direct connection for IR LEL (CH4) / CO with j-box, UL version	1,400.00
65-2482RK-05	Multi-sensor, direct connection for IR LEL (CH4) / O2 / with j-box	1,400.00
65-2482RK-06	Multi-sensor, direct connection for IR LEL (CH4) / H2S / CO with j-box	1,800.00
65-2483RK-01	Multi-sensor, direct connection for IR LEL (HC) / O2 / H2S with j-box, UL version	1,800.00
65-2483RK-02	Multi-sensor, direct connection for IR LEL (HC) / O2 / CO with j-box, UL version	1,800.00
65-2483RK-03	Multi-sensor, direct connection for IR LEL (HC) / H2S with j-box, UL version	1,400.00
65-2483RK-04	Multi-sensor, direct connection for IR LEL (HC) / CO with j-box, UL version	1,400.00
65-2483RK-05	Multi-sensor, direct connection for IR LEL (HC) / O2 with j-box, UL version	1,400.00
65-2483RK-06	Multi-sensor, direct connection for IR LEL (HC) / H2S / CO with j-box, UL version	1,800.00
65-2484RK-06	Multi-sensor, direct connection for LEL (catalytic) / O2 / H2S / SO2 with j-box (not explosion proof) ...	2,000.00
65-2484RK-34	Multi-sensor, direct connection for IR LEL (CH4) / H2S / CO / NH3 with j-box (not explosion proof)	2,450.00
65-2485RK-02	Multi-sensor, direct connection for H2S / O2 / CO with j-box, UL version	1,450.00
65-2490RK	Sensor housing/preamp,potted,w/wires, RF Hardened, H2S CT-7 Non-XP	140.00
65-2491RK	Sensor housing/preamp,potted,w/wires,RF Hardened, CO CT-7 Non-XP	140.00
65-2492RK	Sensor housing/preamp,potted,w/wires,Oxy Non-XP	80.00
65-2494RK	Sensor, Oxygen (O2) 0 - 25%, non explosion proof direct connect, capillary type, no j-box	340.00
65-2494RK-NS	Detector assembly,Oxy Non-XP replaceable sensor type,w/out sensor	200.00
65-2495RK	Sensor, Hydrogen Sulfide (H2S) 0 - 100 ppm, non explosion proof direct connect, no j-box.....	340.00
65-2495RK-NS	Detector assembly,0 - 100 ppm H2S, Non-XP,without sensor	200.00
65-2496RK	Sensor, Carbon Monoxide (CO) 0 - 300 ppm, non explosion proof direct connect, no j-box	340.00
65-2496RK-NS	Detector assembly,0 - 300 ppm CO, Non-XP replaceable sensor type, w/o sensor.....	200.00
65-2497-100	Detector/J-box assembly,non-XP oxygen w/replaceable sensor,with 100 ft cable.....	620.00
65-2497-SS	Detector/stainless steel j-box assembly,non-XP oxygen w/replaceable sensor	520.00
65-2497RK	Sensor, Oxygen (O2) 0 - 25%, direct connect, capillary type, non explosion proof, with j-box	440.00
65-2498RK	Sensor, Hydrogen Sulfide (H2S) 0 - 100 ppm, direct connect, non explosion proof, with j-box	460.00
65-2499RK	Sensor, Carbon Monoxide (CO) 0 - 300 ppm, direct connect, non explosion proof, with j-box	460.00
65-2502-C	Det assembly,Oxy,cond mounting,jbox,IS, partial Pressure type,CO2 resistant	800.00
65-2502RK	Sensor, Oxygen (O2) with j-box and I.S. barrier, partial pressure type, (no explosion proof approval)	370.00
65-2504RK	S-Series Oxygen (O2) sensor (partial pressure type) / transmitter / j-box (non explosion proof)	800.00
65-2504RKH	Detector/transmitter assembly, Oxy, cond mounting, IS, high humidity (partial pressure)	840.00
65-2506RK	Sensor, Oxygen (O2), conduit mounting, capillary, Cititech (old style)	720.00
65-2510-C	Detector assy,oxygen,conduit mtg,IS,w/OS-C11 CO2 resistant sensor	750.00
65-2510-TFX	Detector assy,oxygen,conduit mtg,IS,w/OS-B11TFX solvent resistant sensor.....	480.00
65-2510RK	Sensor, Oxygen (O2) 0 -25%, non explosion proof direct connect, partial pressure type (no transmitter, no j-box)	270.00
65-2510RKH	Detector assembly, Oxygen (O2), conduit mounting, IS, with OS-B11H, (high humidity use)	290.00
65-2514RK	Sensor, Oxygen (O2), capillary type, explosion proof, (no transmitter, no j-box), CSA version	380.00
65-2514RK-NS	Detector assy,oxygen,XP,capillary type,conduit mtg,w/out sensor	260.00
65-2515-DIS	Detector/j-box,explosion proof capillary type oxygen,cond mounting,with splashguard	575.00
65-2515RK	Sensor, Oxygen (O2), capillary type, explosion proof with conduit mounting and j-box (no transmitter), CSA version	500.00

Numerical Index

Part#	Description	Suggested Retail
65-2516RK	S-Series Oxygen (O2) sensor (capillary type) / transmitter, explosion proof with conduit mounting j-box, CSA version.....	890.00
65-2517RK	Detector hsg/temp comp PCB,potted,w/wires,XP capillary type oxy detector	170.00
65-2640XL	M2A-XL, LEL 0-100% sensor (catalytic) / transmitter with j-box, (specify calibration), UL version	1,320.00
65-2640XL-04	M2A-XL, LEL 0-100% sensor (catalytic) / transmitter with j-box, (specify calibration), remote detector and calibration adapter/splash guard, UL version	1,455.00
65-2640XL-05	M2A-XL, LEL 0-100% sensor (catalytic) / transmitter with j-box, (specify calibration), cCSAus version ...	1,370.00
65-2640XL-05-04	M2A-XL, LEL 0-100% sensor (catalytic) / transmitter with j-box, (specify calibration), remote detector and calibration adapter/splash guard, cCSAus version	1,530.00
65-2641XL	M2A-XL, Hydrogen (H2) specific LEL 0-100% sensor (catalytic) / transmitter with j-box, UL version	1,470.00
65-2641XL-04	M2A-XL, Hydrogen (H2) specific LEL 0-100% sensor (catalytic) / transmitter with j-box, remote detector and calibration adapter/splash guard, UL version	1,610.00
65-2641XL-05	M2A-XL, Hydrogen (H2) specific LEL 0-100% sensor (catalytic) / transmitter with j-box, CSA version ...	1,470.00
65-2642XL	M2A-XL, Hydrogen Cyanide (HCN) 0-15 ppm, sensor / transmitter with j-box, cCSAus version.....	1,670.00
65-2643XL-05	M2A-XL, Oxygen (O2) 0-25%, sensor / transmitter with j-box, cCSAus version	1,370.00
65-2643XL-05-04	M2A-XL, Oxygen (O2) 0-25%, sensor / transmitter with j-box, remote detector and calibration adapter/splash guard, cCSAus version	1,510.00
65-2644XL	M2A-XL, Oxygen (O2) 0-25%, sensor / transmitter with j-box, partial pressure sensor	1,270.00
65-2645XL-05	M2A-XL, Hydrogen Sulfide (H2S) 0-100 ppm, sensor / transmitter with j-box, cCSAus version	1,470.00
65-2645XL-05-04	M2A-XL, Hydrogen Sulfide (H2S) 0-100 ppm, sensor / transmitter with j-box, remote detector and calibration adapter/splash guard, cCSAus version	1,620.00
65-2645XL-HR	Rig Monitor system with M2A-XL transmitter, 0-100 ppm H2S, horn, strobe, remote mount sensor, and power cable with battery clamp	1,920.00
65-2646XL-05	M2A-XL, Carbon Monoxide (CO) 0-300 ppm, sensor / transmitter with j-box, cCSAus version	1,470.00
65-2646XL-05-04	M2A-XL sensor/xmitter w/j-box,0-300 ppm CO,CSA version,w/remote det & cal adptr/splash guard ...	1,620.00
65-2647XL	M2A-XL, Methane (CH4) 0-9,000 ppm, sensor / transmitter with j-box	1,400.00
65-2647XL-05	M2A-XL, Methane (CH4) 0-9,000 ppm, sensor / transmitter with j-box, cCSAus version	1,450.00
65-2648XL-ASH3	M2A-XL, Arsine (AsH3) 0-1.5 ppm, transmitter, ESM-01 style sensor with j-box	1,520.00
65-2648XL-HCN	M2A-XL, Hydrogen Cyanide (HCN) 0-15 ppm, transmitter, ESM-01 style sensor with j-box	1,520.00
65-2648XL-NH3	M2A-XL, Ammonia (NH3) 0-75 ppm, transmitter, ESM-01 style sensor with j-box	1,520.00
65-2648XL-PH3	M2A-XL, Phosphine (PH3) 0-1 ppm, transmitter, ESM-01 style sensor with j-box	1,520.00
65-2648XL-SO2	M2A-XL, Sulfur Dioxide (SO2) 0-6 ppm, transmitter, ESM-01 style sensor with j-box	1,520.00
65-2649XL-CH4	M2A-XL, IR Methane (CH4) LEL 0-100% sensor / transmitter, with j-box, cULus version.....	1,670.00
65-2649XL-CH4-4	M2A-XL, IR Methane (CH4) LEL 0-100% sensor / transmitter with j-box, remote detector and calibration adapter/splash guard, cULus version	1,820.00
65-2649XL-HC	M2A-XL, IR Hydrocarbons (isobutane) LEL 0-100% sensor / transmitter with j-box, cULus version	1,670.00
65-2649XL-HC-04	M2A-XL, IR Hydrocarbons (isobutane) LEL 0-100% sensor / transmitter with j-box, remote detector and calibration adapter/splash guard, cULus version	1,820.00
65-2650XL	LEL, M2A-XL, MPStm type sensor/transmitter with J-Box	1,670.00
65-2658XL-CH4	M2A-XL, IR Methane (CH4) vol 0-100% sensor / transmitter, with j-box, cULus version	1,670.00
65-2658XL-CH4-4	M2A-XL, IR Methane (CH4) vol 0-100% sensor / transmitter, with j-box, remote detector and calibration adapter/splash guard, cULus version	1,820.00
65-2660XL-02	M2A-XL, IR Carbon Dioxide (CO2) 0-5,000 ppm, sensor / transmitter with j-box, cULus version	1,670.00
65-2660XL-03	M2A-XL, IR Carbon Dioxide (CO2) 0-5%, sensor / transmitter with j-box, cULus version	1,670.00
65-2660XL-03-04	M2A-XL sensor/transmitter w/j-box,CO2,0 - 5%,w/remote detector and cal adapter/splash guard	1,820.00
65-2660XL-05	M2A-XL, IR Carbon Dioxide (CO2) 0-50%, sensor / transmitter with j-box, cULus version	1,670.00
65-2660XL-10	M2A-XL, IR Carbon Dioxide (CO2) 0-100%, sensor / transmitter with j-box, cULus version	1,670.00
65-2661XL-02	M2A-XL, IR Carbon Dioxide (CO2) 0-5,000 ppm, sensor / transmitter, non explosion proof with j-box ...	1,570.00
65-2661XL-03	M2A-XL, IR Carbon Dioxide (CO2) 0-5%, sensor / transmitter, non explosion proof with j-box	1,570.00
65-2661XL-05	M2A-XL, IR Carbon Dioxide (CO2) 0-50%, sensor / transmitter, non explosion proof with j-box	1,570.00
65-2661XL-10	M2A-XL, IR Carbon Dioxide (CO2) 0-100%, sensor / transmitter, non explosion proof with j-box	1,570.00
65-2662XL	M2A-XL, Hydrogen Sulfide (H2S) 0-100 ppm, CT-7 style sensor / transmitter with j-box, non explosion proof	1,420.00
65-2662XL-04	M2A-XL sensor/transmitter w/j-box,0 - 100 ppm H2S,non explosion proof,w/remote detector	1,570.00
65-2663XL	M2A-XL, Carbon Monoxide (CO) 0-300 ppm, CT-7 style sensor / transmitter with j-box, non explosion proof	1,420.00
65-2666XL	M2A-XL, Oxygen (O2) 0 - 25% sensor (capillary type) / transmitter with j-box (non explosion proof) ...	1,310.00
65-2667XL-CH4	M2A-XL, Methane (CH4) 0-100% LEL, transmitter with plug-in style sensor and j-box, UL 2075 approval	1,870.00
65-2667XL-HC	M2A-XL, Hydrocarbons (HC) LEL 0-100% transmitter with plug-in style sensor and j-box.....	1,870.00
65-2670XL-CL2-3	M2A-XL, Chlorine (Cl2) 0 - 3 ppm, CT-7 style sensor / transmitter, non explosion proof with j-box	1,670.00
65-2670XL-CL2-5	M2A-XL, Chlorine (Cl2) 0 - 5 ppm, CT-7 style sensor / transmitter, non explosion proof with j-box	1,670.00

Numerical Index

Part#	Description	Suggested Retail
65-2670XL-CL210	M2A-XL, Chlorine (Cl2) 0 - 10 ppm, CT-7 style sensor / transmitter, non explosion proof with j-box.....	1,670.00
65-2670XL-CLO21	M2A-XL, Chlorine Dioxide (ClO2) 0 - 1 ppm, CT-7 style sensor / transmitter, non explosion proof with j-box	1,670.00
65-2670XL-CLO23	M2A-XL, Chlorine Dioxide (ClO2) 0 - 3 ppm, CT-7 style sensor / transmitter, non explosion proof with j-box	1,670.00
65-2670XL-HCN15	M2A-XL, Hydrogen Cyanide (HCN) 0 - 15 ppm, CT-7 style sensor / transmitter, non explosion proof with j-box	1,670.00
65-2670XL-NH3-1	M2A-XL, Ammonia (NH3) 0 - 100 ppm, CT-7 style sensor / transmitter, non explosion proof with j-box	1,670.00
65-2670XL-NH3-2	M2A-XL, Ammonia (NH3) 0 - 200 ppm, CT-7 style sensor / transmitter, non explosion proof with j-box	1,670.00
65-2670XL-NH3-5	M2A-XL, Ammonia (NH3) 0 - 500 ppm, CT-7 style sensor / transmitter, non explosion proof with j-box	1,670.00
65-2670XL-NH375	M2A-XL, Ammonia (NH3) 0 - 75 ppm, CT-7 style sensor / transmitter, non explosion proof with j-box...	1,670.00
65-2670XL-NO2	M2A-XL, Nitrogen Dioxide (NO2) 0 - 15 ppm, CT-7 style sensor / transmitter, non explosion proof with j-box	1,670.00
65-2670XL-SO210	M2A-XL, Sulfur Dioxide (SO2) 0 - 10 ppm, CT-7 style sensor / transmitter, non explosion proof with j-box	1,670.00
65-2670XLHCN157	M2A-XL sensor/xmitter w/j-box,CT-7,non-XP,HCN,0-15.0 ppm,w/remote det	1,780.00
65-2698	T2A sensor/transmitter with j-box, 0-5% Carbon Dioxide (CO2) IR sensor	1,520.00
65-7001RK	Dummy sensor for GX-2009, GX-2012, or GX-6000 empty sensor slots (LEL, O2, H2S, & CO)	5.00
65-7003	Dummy sensor for GX-6000 empty smart sensors slots	5.00
65-7004	Dummy sensor for GX-3R/GX-3R Pro/GX-Force	5.00
65-FC-004	Tape FC-004 for Hydrogen Bromide HBr, 0 - 0.5 ppm, FP-301	170.00
65-FC-006	Tape, HF, 0-6.0 ppm, Model FP-300	170.00
65-FC-010	Tape FC-010 for Ammonia NH3, FP-300	170.00
65-FC-023	Tape, HF/BF3, 0-3 ppm, Model FP-300A	170.00
65-FC-023A	Tape,C4F6/C5F8,0-5.00 ppm, Model FP-300AGZS	170.00
65-FC-303	Tape FC-303 for Chlorine Cl2, 0 - 0.5 ppm, FP-300	170.00
65-FCL-001	Tape FCL-001 for Arsine AsH3, FP-300/-301	170.00
65-FCL-002E	Tape, FP-300,0 - 10 ppm H2S	170.00
65-FCL-015	Tape FCL-015 for Chlorine Cl2, FP-300	170.00
65-FCL-018	Tape FCL-018 for formaldehyde, for FP-330	130.00
65-SENSORSET	Sensor set for GX-2009, four sensors including LEL, O2, H2S, and CO	520.00
65-TAB-008	Detection tablets for FP-31/-30/-40, box of 20, (1 test each) Formaldehyde (use for -008,-009,-010)	85.00
66-0001	Sensor, Carbon Monoxide (CO) covers full scale up to 0 - 1000 ppm, EC type	220.00
66-0002	Sensor, Oxygen (O2) 0 - 25 % volume, capillary type	400.00
66-0003-1	Sensor, Hydrogen Sulfide (H2S) 0 - 100 ppm, EC type	220.00
66-0003-2	Sensor, Hydrogen Sulfide (H2S) covers full scale from 200 ppm to 2000 ppm, EC type	400.00
66-0004-1	Sensor, Hydrogen Chloride (HCl) covers full scale up to 20 ppm, EC type	400.00
66-0004-2	Sensor, Hydrogen Chloride (HCl) covers full scale up to 200 ppm, EC type.....	400.00
66-0005	Sensor, Hydrogen Cyanide (HCN) 0 - 50 ppm, EC type	400.00
66-0006-1	Sensor, Ammonia (NH3) covers full scale up to 100 ppm, EC type	400.00
66-0006-2	Sensor, Ammonia (NH3) high range, covers full scale from 200 to 1000 ppm, Semeatech, EC type	400.00
66-0006L-1	Sensor, Ammonia (NH3) long life, low humidity for up to 100 ppm full scale, Semeatech, EC type	400.00
66-0006N-1	Sensor, Ammonia (NH3) for up to 100 ppm full scale, Nemoto, EC type	400.00
66-0006N-2	Sensor, Ammonia (NH3) covers full scale between 200 and 1000 ppm, Nemoto, EC type.....	400.00
66-0007	Sensor, Nitric Oxide (NO) covers full scale up to 250 ppm, EC type	400.00
66-0008	Sensor, Nitrogen Dioxide (NO2) 0 - 20 ppm, EC type	400.00
66-0009-1	Sensor, Ozone (O3) 0 - 5 ppm, EC type	900.00
66-0009-2	Sensor, Ozone (O3) high range sensor covers full scale from 10 ppm to 100 ppm, EC type	900.00
66-0010	Sensor, Sulfur Dioxide (SO2) 0 - 20 ppm, EC type	400.00
66-0011	Sensor, Formaldehyde (HCHO) 0 - 10 ppm, EC type	900.00
66-0012	Sensor, Chlorine (Cl2) covers full scale up to 20 ppm, EC type.....	400.00
66-0013	Sensor, Chlorine Dioxide (ClO2) covers full scale up to 5 ppm, EC type	400.00
66-0014	Sensor, Hydrogen Fluoride (HF) 0 - 10 ppm, EC type	900.00
66-0015	Sensor, Phosphine (PH3) 0 - 5 ppm, EC type	1,025.00
66-0016	Sensor, Ethylene Oxide (ETO) 0 - 10 ppm, EC type	900.00
66-0039	Sensor, Hydrogen (H2) 0 - 100% LEL (0-4% vol), EC type	900.00
66-0040	Sensor, Hydrocarbons (CH4) 0 - 100 % LEL, catalytic type	220.00
66-0050	Sensor, Carbon Dioxide (CO2) 0 - 5 % volume, IR type	900.00
66-0051	Sensor, Hydrocarbons (CH4) 0 - 100 % LEL, IR type	900.00
66-0052	Sensor, Hydrocarbons (CH4) 0 - 100 % volume, IR type	900.00
66-0053	Sensor, Hydrocarbons (HC) 0-100% LEL, IR type	900.00
66-0054	Sensor, Carbon Dioxide (CO2) 0 - 5000 ppm, IR type	900.00

Numerical Index

Part#	Description	Suggested Retail
66-0054-05	Sensor assembly, explosion proof for Carbon Dioxide (CO2) 0 - 5000 ppm, IR - Infrared, 5-pin	1,080.00
66-0060	Sensor, Hydrocarbons (CH4) 0 - 100 % LEL, LPIR type	800.00
66-0062	Sensor, Hydrocarbons (CH4) 0 - 100 % vol, LPIR type	800.00
66-0063	Sensor, Hydrocarbons (HC) 0 - 100 % LEL, LPIR type	800.00
66-0064	Sensor, Freon 404A (R-404A) 0 - 2000 ppm, IR type for Air Alert	1,350.00
66-0065	Sensor, Freon 410A (R-410A) 0 - 2000 ppm, IR type for Air Alert	1,350.00
66-0066	Sensor, Sulfur Hexafluoride (SF6) 0-2000 ppm, EC type	1,350.00
66-0067	Sensor, Carbon Dioxide (CO2) 0 - 5%, LPIR type	800.00
66-0068	Sensor, Arsine (AsH3) 0 - 1 ppm, EC type	900.00
66-1001-05	Sensor assembly for Carbon Monoxide (CO) 0 - 500 ppm, EC type, XP Division 1, 7 pin	600.00
66-1001-10	Sensor assembly for Carbon Monoxide (CO) 0 - 1000 ppm, EC type, XP Division 1, 7 pin	675.00
66-1002-25	Sensor assembly for Oxygen (O2) 0 - 25 % Volume, EC type, XP Division 1, 7 pin	840.00
66-1003-1-01	Sensor assembly for Hydrogen Sulfide (H2S) Low Range, 0 - 10 ppm, EC type, XP Division 1, 7 pin	600.00
66-1003-1-02	Sensor assembly for Hydrogen Sulfide (H2S) Low Range, 0 - 25 ppm, EC type, XP Division 1, 7 pin	600.00
66-1003-1-05	Sensor assembly for Hydrogen Sulfide (H2S) Low Range, 0 - 50 ppm, EC type, XP Division 1, 7 pin	600.00
66-1003-1-10	Sensor assembly for Hydrogen Sulfide (H2S) Low Range, 0 - 100 ppm, EC type, XP Division 1, 7 pin	675.00
66-1003-2-2K	Sensor assembly for Hydrogen Sulfide (H2S) High range, 0 - 2000 ppm, EC type, XP Division 1, 7 pin	840.00
66-1003-2-50	Sensor assembly for Hydrogen Sulfide (H2S) High range, 0 - 500 ppm, EC type, XP Division 1, 7 pin	760.00
66-1004-10	Sensor assembly for Hydrogen Chloride (HCl) 0 - 100 ppm, EC type, XP Division 2, 7 pin	1,310.00
66-1004-20	Sensor assembly for Hydrogen Chloride (HCl) 0 - 20 ppm, EC type, XP Division 2, 7 pin	760.00
66-1004-30	Sensor assembly for Hydrogen Chloride (HCl) 0 - 30 ppm, EC type, XP Division 2, 7 pin	760.00
66-1004-99	Sensor assembly for Hydrogen Chloride (HCl) 0 - 100 ppm, EC type, XP Division 2, 7 pin	760.00
66-1005-15	Sensor assembly for Hydrogen Cyanide (HCN) 0 - 15 ppm, EC type, XP Division 2, 7 pin	760.00
66-1005-30	Sensor assembly for Hydrogen Cyanide (HCN) 0 - 30 ppm, EC type, XP Division 2, 7 pin	760.00
66-1005-50	Sensor assembly for Hydrogen Cyanide (HCN) 0 - 50 ppm, EC type, XP Division 2, 7 pin	840.00
66-1006-1-07	Sensor assembly for Ammonia (NH3), Low range, 0 - 75 ppm, EC type, XP Division 2, 7 pin	760.00
66-1006-1-10	Sensor assembly for Ammonia (NH3), Low range, 0 - 100 ppm, EC type, XP Division 2, 7 pin	840.00
66-1006-1-10L	Sensor assembly for Ammonia (NH3), low humidity, low range, 0 - 100 ppm, EC type, XP Division 2, 7 pin	760.00
66-1006-2-50	Sensor assembly for Ammonia (NH3), High range 0 - 500 ppm, EC type, XP Division 2, 7 pin	760.00
66-1006-2-99	Sensor assembly for Ammonia (NH3), High range 0 - 1000 ppm, EC type, XP Division 2, 7 pin	840.00
66-1007-25	Sensor assembly for Nitric Oxide (NO) 0 - 250 ppm, EC type, XP Division 2, 7 pin	840.00
66-1008-20	Sensor assembly for Nitrogen Dioxide (NO2) 0 - 20 ppm, EC type, XP Division 2, 7 pin	840.00
66-1009-1-05	Sensor assembly for Ozone (O3), 0 - 5 ppm, EC type, XP Division 2, 7 pin	840.00
66-1009-2-99	Sensor assembly for Ozone (O3), high range 0 - 100 ppm, EC type, XP Division 2, 7 pin	840.00
66-1010-20	Sensor assembly for Sulfur Dioxide (SO2) 0 - 20 ppm, EC type, XP Division 2, 7 pin	840.00
66-1011-10	Sensor assembly for Formaldehyde (HCHO) 0 - 10 ppm, EC type, XP Division 2, 7 pin	1,310.00
66-1012-10	Sensor assembly for Chlorine (Cl2) 0 - 10 ppm, EC type, XP Division 2, 7 pin	840.00
66-1013-01	Sensor assembly for Chlorine Dioxide (ClO2) 0 - 1 ppm, EC type, XP Division 2, 7 pin	760.00
66-1013-05	Sensor assembly for Chlorine Dioxide (ClO2) covers full scale up to 0 - 5 ppm, EC type, XP Division 2, 7 pin	840.00
66-1014-10	Sensor assembly for Hydrogen Fluoride (HF) 0 - 10 ppm, EC type, XP Division 2, 7 pin	1,310.00
66-1015-05	Sensor assembly for Phosphine (PH3) 0 - 5 ppm, EC type, XP Division 2, 7 pin	1,485.00
66-1016-10	Sensor assembly for Ethylene Oxide (ETO) 0 - 10 ppm, EC type, XP Division 2, 7 pin	1,310.00
66-1039-40	Sensor assembly for Hydrogen (H2) 0 - 100% LEL (0-4% vol), EC type, XP Division 1, 7 pin	1,310.00
66-1050-05	Sensor assembly for Carbon Dioxide (CO2) 0 - 5 % Volume, IR - Infrared, XP Division 1, 7 pin	1,200.00
66-1051-10	Sensor assembly for Combustible (CH4) 0 - 100 % LEL, IR - Infrared, XP Division 1, 7 pin	1,200.00
66-1052-99	Sensor assembly for Combustible (CH4) 0 - 100 % Volume, IR - Infrared, XP Division 1, 7 pin	1,200.00
66-1053-10	Sensor assembly for Combustible (HC) 0-100% LEL, IR - Infrared, XP Division 1, 7 pin	1,200.00
66-1060-10	Sensor assembly for Combustible (CH4) 0 - 100 % LEL, CH4, LPIR - Low Power Infrared, XP Division 1, 7 pin	1,310.00
66-1062-99	Sensor assembly for Combustible (CH4) 0 - 100 % Volume, LPIR - Low Power Infrared, XP Division 1, 7 pin	1,310.00
66-1063-10	Sensor assembly for Combustible (HC) 0 - 100 % Vol., LPIR - Low Power Infrared, XP Division 1, 7 pin	1,310.00
66-1067-05	Sensor assembly for Carbon Dioxide (CO2) 0 - 5 % Volume, LPIR - Low Power Infrared, XP Division 1, 7 pin	1,310.00
66-1068-01	Sensor assembly for Arsine (AsH3) 0 - 1 ppm, EC type, XP Division 2, 7 pin	1,310.00
66-1080-10	Sensor assembly, explosion proof for Methane (CH4) 0 - 100 % LEL, CH4, LPIR - Low Power Infrared	1,200.00
66-1302	Sensor assembly for VOC (10.6 eV PID) 0 - 50 ppm, XP Division 1, 7 pin	1,860.00
66-1303	Sensor assembly for VOC (10.6 eV PID) 0 - 2000 ppm, XP Division 1, 7 pin	1,670.00
66-1304	Sensor assembly for VOC (11.7 eV PID) 0 - 100 ppm, XP Division 1, 7 pin	2,400.00
66-1305	Sensor assembly for VOC (10.0 eV PID) 0 - 100 ppm, XP Division 1, 7 pin	1,860.00

Numerical Index

Part#	Description	Suggested Retail
66-2001-10	Sensor assembly for Carbon Monoxide (CO) 0 - 1000 ppm, EC type, non XP, 7-pin	580.00
66-2002-25	Sensor assembly for Oxygen (O2) 0 - 25 % Volume, EC type, non XP, 7-pin.....	760.00
66-2003-1-10	Sensor assembly for Hydrogen Sulfide (H2S) 0 - 100 ppm, EC type, non XP, 7-pin	580.00
66-2003-2-2K	Sensor assembly for Hydrogen Sulfide (H2S) High range 0 - 2000 ppm, EC type, non XP, 7-pin	760.00
66-2004-10	Sensor assembly for Hydrogen Chloride (HCl) 0 - 100 ppm, EC type, non XP, 7-pin	1,220.00
66-2005-50	Sensor assembly for Hydrogen Cyanide (HCN) 0 - 50 ppm, EC type, non XP, 7-pin.....	760.00
66-2006-1-10	Sensor assembly for Ammonia (NH3), 0 - 100 ppm, EC type, non XP, 7-pin.....	760.00
66-2006-2-40	Sensor assembly for Ammonia (NH3), High range 0 - 400 ppm, EC type, non XP, 7-pin	680.00
66-2006-2-99	Sensor assembly for Ammonia (NH3), High range 0 - 1000 ppm, EC type, non XP, 7-pin	760.00
66-2007-25	Sensor assembly for Nitric Oxide (NO) 0 - 250 ppm, EC type, non XP, 7-pin	760.00
66-2008-20	Sensor assembly for Nitrogen Dioxide (NO2) 0 - 20 ppm, EC type, non XP, 7-pin	760.00
66-2009-1-05	Sensor assembly for Ozone (O3), 0 - 5 ppm, EC type, non XP, 7-pin.....	760.00
66-2009-2-99	Sensor assembly for Ozone (O3), high range 0 - 100 ppm, EC type, non XP, 7-pin	760.00
66-2010-20	Sensor assembly for Sulfur Dioxide (SO2) 0 - 20 ppm, EC type, non XP, 7-pin.....	760.00
66-2011-10	Sensor assembly for Formaldehyde (HCHO) 0 - 10 ppm, EC type, non XP, 7-pin.....	1,220.00
66-2012-03	Sensor assembly for Chlorine (Cl2) 0 - 3 ppm, EC type, non XP, 7-pin	680.00
66-2012-10	Sensor assembly for Chlorine (Cl2) 0 - 10 ppm, EC type, non XP, 7-pin	760.00
66-2012-20	Sensor assembly for Chlorine (Cl2) 0 - 20 ppm, EC type, non XP, 7-pin	680.00
66-2013-01	Sensor assembly for Chlorine Dioxide (ClO2) 0 - 1 ppm, EC type, non XP, 7-pin	760.00
66-2014-10	Sensor assembly for Hydrogen Fluoride (HF) 0 - 10 ppm, EC type, non XP, 7-pin	1,120.00
66-2015-05	Sensor assembly for Phosphine (PH3) 0 - 5 ppm, EC type, non XP, 7-pin.....	1,350.00
66-2016-10	Sensor assembly for Ethylene Oxide (ETO) 0 - 10 ppm, EC type, non XP, 7-pin	1,220.00
66-2039-40	Sensor assembly for Hydrogen (H2) 0 - 100% LEL (0-4% vol), EC type, non XP, 7-pin	760.00
66-2050-05	Sensor assembly for Carbon Dioxide (CO2) 0 - 5 % Volume, IR - Infrared, non XP, 7-pin	1,120.00
66-2051-10	Sensor assembly for Combustible (CH4) 0 - 100 % LEL, IR - Infrared, non XP, 7-pin	1,120.00
66-2052-99	Sensor assembly for Combustible (CH4) 0 - 100 % Volume, IR - Infrared, non XP, 7-pin	1,120.00
66-2053-10	Sensor assembly for Combustible (HC) 0-100% LEL, IR - Infrared, non XP, 7-pin.....	1,120.00
66-2054-05	Sensor assembly for Carbon Dioxide (CO2) 0 - 5000 ppm, IR, non XP, 7-pin	1,120.00
66-2060-10	Sensor assembly for Combustible (CH4) 0 - 100 % LEL, CH4, LPIR - Low Power Infrared, non XP, 7-pin...	1,220.00
66-2061-15	Sensor assembly for Carbon Dioxide (CO2) 0 - 1.5 % Volume, LPIR - Low Power Infrared, NXP	1,120.00
66-2062-99	Sensor assembly for Combustible (CH4) 0 - 100 % Volume, LPIR - Low Power Infrared, non XP, 7-pin ...	1,220.00
66-2063-10	Sensor assembly for Combustible (HC) 0 - 100 % Vol., LPIR - Low Power Infrared, non XP, 7-pin	1,220.00
66-2067-05	Sensor assembly for Carbon Dioxide (CO2) 0 - 5 % Volume, LPIR - Low Power Infrared, non XP, 7-pin ...	1,220.00
66-2068-01	Sensor assembly for Arsine (AsH3) 0 - 1 ppm, EC type, non XP, 7-pin	1,230.00
66-2302	Sensor assembly for VOC (10.6 eV PID) 0 - 50 ppm, non XP, 7-pin	1,770.00
66-2303	Sensor assembly for VOC (10.6 eV PID) 0 - 2000 ppm, non XP, 7-pin	1,590.00
66-2304	Sensor assembly for VOC (11.7 eV PID) 0 - 100 ppm, non XP, 7-pin.....	2,370.00
66-2304-30-W-R	AirLink T3A sensor/transmitter with j-box, Hydrogen Chloride (HCl), 0-20 ppm, 900 MHz, w/ 2 relays...	3,770.00
66-2305	Sensor assembly for VOC (10.0 eV PID) 0 - 100 ppm, non XP, 7-pin	1,770.00
66-3001-05	Sensor assembly, explosion proof for Carbon Monoxide (CO) 0 - 500 PPM, EC type, 5-pin	555.00
66-3001-10	Sensor assembly, explosion proof for Carbon Monoxide (CO) 0 - 1000 ppm, EC type, 5-pin	555.00
66-3002-25	Sensor assembly, explosion proof for Oxygen (O2) 0 - 25 % Volume, EC type, 5-pin	700.00
66-3003-1-01	Sensor assembly, explosion proof for Hydrogen Sulfide (H2S) Low Range 0 - 10 ppm, EC type, 5-pin	555.00
66-3003-1-02	Sensor assembly, explosion proof for Hydrogen Sulfide (H2S) Low Range 0 - 25 ppm, EC type, 5-pin	555.00
66-3003-1-05	Sensor assembly, explosion proof for Hydrogen Sulfide (H2S) Low Range 0 - 50 ppm, EC type, 5-pin	555.00
66-3003-1-10	Sensor assembly, explosion proof for Hydrogen Sulfide (H2S) Low Range 0 - 100 ppm, EC type, 5-pin ...	555.00
66-3003-2-2K	Sensor assembly, explosion proof for Hydrogen Sulfide (H2S) High range 0 - 2000 ppm, EC type, 5-pin	700.00
66-3003-2-50	Sensor assembly, explosion proof for Hydrogen Sulfide (H2S) High range 0 - 500 ppm, EC type, 5-pin ...	700.00
66-3004-20	Sensor assembly, explosion proof for Hydrogen Chloride (HCl) 0 - 20 ppm, EC type, 5-pin	700.00
66-3004-30	Sensor assembly, explosion proof for Hydrogen Chloride (HCl) 0 - 30 ppm, EC type, 5-pin	700.00
66-3004-99	Sensor assembly, explosion proof for Hydrogen Chloride (HCl) 0 - 100 ppm, EC type, 5-pin.....	700.00
66-3005-15	Sensor assembly, explosion proof for Hydrogen Cyanide (HCN) 0 - 15 ppm, EC type, 5-pin	700.00
66-3005-50	Sensor assembly, explosion proof for Hydrogen Cyanide (HCN) 0 - 50 ppm, EC type, 5-pin	700.00
66-3006-1-10	Sensor assembly, explosion proof for Ammonia (NH3), Low Range 0 - 100 ppm, EC type, 5-pin	700.00
66-3006-2-20	Sensor assembly, explosion proof for Ammonia (NH3), High range 0 - 200 ppm, EC type, 5-pin	700.00
66-3006-2-30	Sensor assembly, explosion proof for Ammonia (NH3), High range 0 - 300 ppm, EC type, 5-pin	700.00
66-3006-2-50	Sensor assembly, explosion proof for Ammonia (NH3), High range 0 - 500 ppm, EC type, 5-pin	700.00
66-3006-2-99	Sensor assembly, explosion proof for Ammonia (NH3), High range 0 - 1000 ppm, EC type, 5-pin	700.00
66-3007-25	Sensor assembly, explosion proof for Nitric Oxide (NO) 0 - 250 ppm, EC type, 5-pin	700.00
66-3008-20	Sensor assembly, explosion proof for Nitrogen Dioxide (NO2) 0 - 20 ppm, EC type, 5-pin	700.00
66-3009-1-05	Sensor assembly, explosion proof for Ozone (O3), 5 ppm 0 - 5 ppm, EC type, 5-pin	700.00

Numerical Index

Part#	Description	Suggested Retail
66-3009-2-99	Sensor assembly, explosion proof for Ozone (O3), high range 0 - 100 ppm, EC type, 5-pin	700.00
66-3010-20	Sensor assembly, explosion proof for Sulphur Dioxide (SO2) 0 - 20 ppm, EC type, 5-pin	700.00
66-3011-10	Sensor assembly, explosion proof for Formaldehyde (HCHO) 0 - 10 ppm, EC type, 5-pin	1,080.00
66-3012-10	Sensor assembly, explosion proof for Chlorine (Cl2) 0 - 10 ppm, EC type, 5-pin	700.00
66-3013-01	Sensor assembly, explosion proof for Chlorine Dioxide (ClO2) 0 - 1 ppm, EC type, 5-pin	700.00
66-3014-10	Sensor assembly, explosion proof for Hydrogen Fluoride (HF) 0 - 10 ppm, EC type, 5-pin	1,080.00
66-3015-05	Sensor assembly, explosion proof for Phosphine (PH3) 0 - 5 ppm, EC type, 5-pin	1,190.00
66-3016-10	Sensor assembly, explosion proof for Ethylene Oxide (ETO) 0 - 10 ppm, EC type, 5-pin	1,080.00
66-3039-40	Sensor assembly, explosion proof for Hydrogen (H2) 0 - 100% LEL (0-4% vol), EC type, 5-pin	1,080.00
66-3040-10	Sensor assembly, explosion proof for Combustible (CH4) 0 - 100 % LEL, CB2 - Catalytic Bead, 5-pin	555.00
66-3050-05	Sensor assembly, explosion proof for Carbon Dioxide (CO2) 0 - 5 % Volume, IR - Infrared, 5-pin	1,080.00
66-3051-10	Sensor assembly, explosion proof for Combustible (CH4) 0 - 100 % LEL, IR - Infrared, 5-pin	1,080.00
66-3052-99	Sensor assembly, explosion proof for Combustible (CH4) 0 - 100 % Volume, IR - Infrared, 5-pin	1,080.00
66-3053-10	Sensor assembly, explosion proof for Combustible (HC) 0-100% LEL HC, IR - Infrared, 5-pin	1,080.00
66-3054-05	Sensor assembly, explosion proof for Carbon Dioxide (CO2) 0 - 5000 ppm, IR, 5-pin	1,080.00
66-3068-01	Sensor assembly, explosion proof for Arsine (AsH3) 0 - 1 ppm, EC type, 5-pin	1,190.00
66-5900-2	AirLink 5900 4-20mA to wireless converter, 2.4 GHz radio, 12-35 VDC wire powered	2,020.00
66-5900-9	AirLink 5900 4-20mA to wireless converter, 900 MHz radio, 12-35 VDC wire powered	2,020.00
66-5950-2	AirLink dual switch-state, explosion proof, 2.4 GHz radio, battery powered	1,500.00
66-5950-9	AirLink dual switch-state, explosion proof, 900 MHz radio, battery powered	1,500.00
66-5A01-03-L	Air Alert, Carbon Monoxide (CO) 0-300 ppm, AC power, 3-color alarm LED's and buzzer, non explosion proof	1,530.00
66-5A01-03-R	Air Alert, Carbon Monoxide (CO) 0-300 ppm, AC power, 2 relays	1,480.00
66-5A01-05-L	Air Alert, Carbon Monoxide (CO) 0-500 ppm, AC power, 3-color alarm LED's and buzzer	1,870.00
66-5A01-05-R	Air Alert,0-500 ppm CO,AC powered,with relays	1,315.00
66-5A01-1K-L	Air Alert, Carbon Monoxide (CO) 0-1000 ppm, AC power, 3-color alarm LED's and buzzer	1,870.00
66-5A01-1K-R	Air Alert, Carbon Monoxide (CO) 0-1000 ppm, AC power, 2 relays	1,480.00
66-5A02-25-L	Air Alert, Oxygen (O2) 0-25% vol, AC power, 3-color alarm LED's and buzzer	2,040.00
66-5A02-25-L-W	Air Alert,oxygen (O2),AC powered,with 3-color alarm LEDs/buzzer,900 MHz radio	2,100.00
66-5A02-25-R	Air Alert, Oxygen (O2) 0-25% vol, AC power, 2 relays	1,650.00
66-5A03-01-L	Air Alert, Hydrogen Sulfide (H2S) 0-10 ppm, AC power, 3-color alarm LED's and buzzer	1,870.00
66-5A03-01-R	Air Alert, Hydrogen Sulfide (H2S) 0-10 ppm, AC power, 2 relays	1,480.00
66-5A03-02-L	Air Alert, Hydrogen Sulfide (H2S) 0-25 ppm, AC power, 3-color alarm LED's and buzzer	1,870.00
66-5A03-02-R	Air Alert, Hydrogen Sulfide (H2S) 0-25 ppm, AC power, 2 relays	1,480.00
66-5A03-05-L	Air Alert, Hydrogen Sulfide (H2S) 0-50 ppm, AC power, 3-color alarm LED's and buzzer	1,870.00
66-5A03-05-R	Air Alert, Hydrogen Sulfide (H2S) 0-50 ppm, AC power, 2 relays	1,480.00
66-5A03-10-L	Air Alert, Hydrogen Sulfide (H2S) 0-100 ppm, AC power, 3-color alarm LED's and buzzer	1,870.00
66-5A03-10-R	Air Alert, Hydrogen Sulfide (H2S) 0-100 ppm, AC power, 2 relays	1,480.00
66-5A03-2K-L	Air Alert, Hydrogen Sulfide (H2S) 0-2000 ppm, AC power, 3-color alarm LED's and buzzer	2,040.00
66-5A03-2K-R	Air Alert, Hydrogen Sulfide (H2S) 0-2000 ppm, AC power, 2 relays	1,650.00
66-5A03-50-L	Air Alert, Hydrogen Sulfide (H2S) 0-500 ppm, AC power, 3-color alarm LED's and buzzer	2,040.00
66-5A03-50-R	Air Alert, Hydrogen Sulfide (H2S) 0-500 ppm, AC power, 2 relays	1,650.00
66-5A04-02-L	Air Alert, Hydrogen Chloride (HCl) 0-20 ppm, AC power, 3-color alarm LED's and buzzer	2,520.00
66-5A04-02-R	Air Alert, Hydrogen Chloride (HCl) 0-20 ppm, AC power, 2 relays	2,145.00
66-5A04-03-L	Air Alert, Hydrogen Chloride (HCl) 0-30 ppm, AC power, 3-color alarm LED's and buzzer	2,530.00
66-5A04-03-R	Air Alert, Hydrogen Chloride (HCl) 0-30 ppm, AC power, 2 relays	2,145.00
66-5A04-10-L	Air Alert, Hydrogen Chloride (HCl) 0-100 ppm, AC power, 3-color alarm LED's and buzzer	2,530.00
66-5A04-10-R	Air Alert, Hydrogen Chloride (HCl) 0-100 ppm, AC power, 2 relays	2,145.00
66-5A05-15-L	Air Alert, Hydrogen Cyanide (HCN) 0-15 ppm, AC power, 3-color alarm LED's, and buzzer	1,850.00
66-5A05-15-R	Air Alert, Hydrogen Cyanide (HCN) 0-15 ppm, AC power, 2 relays	1,480.00
66-5A05-30-R	Air Alert, Hydrogen Cyanide (HCN) 0-30 ppm, AC power, 2 relays	1,480.00
66-5A05-50-L	Air Alert, Hydrogen Cyanide (HCN) 0-50 ppm, AC power, 3-color alarm LED's, and buzzer	2,040.00
66-5A05-50-R	Air Alert, Hydrogen Cyanide (HCN) 0-50 ppm, AC power, 2 relays	1,650.00
66-5A06-10-L	Air Alert, Ammonia (NH3) 0-100 ppm, AC power, 3-color alarm LED's and buzzer	2,040.00
66-5A06-10-R	Air Alert, Ammonia (NH3) 0-100 ppm, AC power, 2 relays	1,650.00
66-5A06-1K-L	Air Alert, Ammonia (NH3) 0-1000 ppm, AC power, 3-color alarm LED's and buzzer	2,040.00
66-5A06-1K-R	Air Alert, Ammonia (NH3) 0-1000 ppm, AC power, 2 relays	1,650.00
66-5A06-20-L	Air Alert, Ammonia (NH3) 0-200 ppm, AC power, 3-color alarm LED's and buzzer	2,040.00
66-5A06-20-R	Air Alert, Ammonia (NH3) 0-200 ppm, AC power, 2 relays	1,650.00
66-5A06-30-L	Air Alert, Ammonia (NH3) 0-300 ppm, AC power, 3-color alarm LED's and buzzer	2,040.00
66-5A06-30-R	Air Alert, Ammonia (NH3) 0-300 ppm, AC power, 2 relays	1,650.00

Numerical Index

Part#	Description	Suggested Retail
66-5A06-50-L	Air Alert, Ammonia (NH3) 0-500 ppm, AC power, 3-color alarm LED's and buzzer	2,040.00
66-5A06-50-R	Air Alert, Ammonia (NH3) 0-500 ppm, AC power, 2 relays	1,650.00
66-5A07-25-L	Air Alert, Nitric Oxide (NO) 0-250 ppm, AC power, 3-color alarm LED's and buzzer	2,040.00
66-5A07-25-R	Air Alert, Nitric Oxide (NO) 0-250 ppm, AC power, 2 relays	1,650.00
66-5A08-20-L	Air Alert, Nitrogen Dioxide (NO2) 0-20 ppm, AC power, 3-color alarm LED's and buzzer	2,040.00
66-5A08-20-R	Air Alert, Nitrogen Dioxide (NO2) 0-20 ppm, AC power, 2 relays	1,650.00
66-5A09-05-L	Air Alert, Ozone (O3) 0-5 ppm, AC power, 3-color alarm LED's and buzzer	2,530.00
66-5A09-05-R	Air Alert, Ozone (O3) 0-5 ppm, AC power, 2 relays	2,145.00
66-5A09-99-L	Air Alert, Ozone (O3) 0-100 ppm, AC power, 3-color alarm LED's and buzzer	2,530.00
66-5A09-99-R	Air Alert, Ozone (O3) 0-100 ppm, AC power, 2 relays	2,145.00
66-5A10-20-L	Air Alert, Sulfur Dioxide (SO2) 0-20 ppm, AC power, 3-color alarm LED's and buzzer	2,040.00
66-5A10-20-R	Air Alert, Sulfur Dioxide (SO2) 0-20 ppm, AC power, 2 relays	1,650.00
66-5A11-10-L	Air Alert, Formaldehyde (HCHO) 0-10 ppm, AC power, 3-color alarm LED's and buzzer	2,530.00
66-5A11-10-R	Air Alert, Formaldehyde (HCHO) 0-10 ppm, AC power, 2 relays	2,150.00
66-5A12-10-L	Air Alert, Chlorine (Cl2) 0-10 ppm, AC power, 3-color alarm LED's and buzzer	2,040.00
66-5A12-10-R	Air Alert, Chlorine (Cl2) 0-10 ppm, AC power, 2 relays	1,650.00
66-5A13-01-L	Air Alert, Chlorine Dioxide (ClO2) 0-1 ppm, AC power, 3-color alarm LED's and buzzer	2,040.00
66-5A13-01-R	Air Alert, Chlorine Dioxide (ClO2) 0-1 ppm, AC power, 2 relays	1,650.00
66-5A13-05-L	Air Alert, Chlorine Dioxide (ClO2) 0-5 ppm, AC power, 3-color alarm LED's and buzzer	2,040.00
66-5A13-05-R	Air Alert, Chlorine Dioxide (ClO2) 0-5 ppm, AC power, 2 relays	1,650.00
66-5A14-10-L	Air Alert, Hydrogen Fluoride (HF) 0-10 ppm, AC power, 3-color alarm LED's and buzzer	2,530.00
66-5A14-10-R	Air Alert, Hydrogen Fluoride (HF) 0-10 ppm, AC power, 2 relays	2,145.00
66-5A15-05-L	Air Alert, Phosphine (PH3) 0-5 ppm, AC power, 3-color alarm LED's and buzzer	2,670.00
66-5A15-05-R	Air Alert, Phosphine (PH3) 0-5 ppm, AC power, 2 relays	2,285.00
66-5A16-10-L	Air Alert, Ethylene Oxide (ETO) 0-10 ppm, AC power, 3-color alarm LED's and buzzer	2,530.00
66-5A16-10-R	Air Alert, Ethylene Oxide (ETO) 0-10 ppm, AC power, 2 relays	2,150.00
66-5A39-40-L	Air Alert, Hydrogen (H2) 0-100% LEL (0-4% vol), AC power, 3-color alarm LED's and buzzer	2,530.00
66-5A39-40-R	Air Alert, Hydrogen (H2) 0-100% LEL (0-4% vol), EC sensor, AC power, 2 relays	2,150.00
66-5A50-05-L	Air Alert, Carbon Dioxide (CO2) 0-5% vol, IR, AC power, 3-color alarm LED's and buzzer	2,530.00
66-5A50-05-R	Air Alert, Carbon Dioxide (CO2) 0-5% vol, IR, AC power, 2 relays	2,145.00
66-5A51-10-L	Air Alert, Hydrocarbons (CH4) 0-100% LEL, IR, AC power, 3-color alarm LED's and buzzer	2,530.00
66-5A51-10-R	Air Alert, Hydrocarbons (CH4) 0-100% LEL, IR, AC power, 2 relays	2,150.00
66-5A52-99-L	Air Alert, Hydrocarbons (CH4) 0-100% vol, IR, AC power, 3-color alarm LED's and buzzer	2,530.00
66-5A52-99-R	Air Alert, Hydrocarbons (CH4) 0-100% VOL, IR, AC power, 2 relays	2,150.00
66-5A53-10-L	Air Alert, Hydrocarbons (HC) 0-100% LEL, IR, AC power, 3-color alarm LED's and buzzer	2,530.00
66-5A53-10-R	Air Alert, Hydrocarbons (HC) 0-100% LEL, IR, AC power, 2 relays	2,150.00
66-5A54-05-L	Air Alert, Carbon Dioxide (CO2) 0-5000 ppm, IR, AC power, 3-color alarm LED's and buzzer	2,530.00
66-5A54-05-R	Air Alert, Carbon Dioxide (CO2) 0-5,000 ppm IR, AC power, 2 relays	2,145.00
66-5A61-05-L	Air Alert, Carbon Dioxide (CO2) 0-5000 ppm, LPIR, AC power, 3-color alarm LED's and buzzer	2,290.00
66-5A61-05-R	Air Alert, Carbon Dioxide (CO2) 0-5,000 ppm LPIR, AC power, 2 relays	1,920.00
66-5A64-20-L	Air Alert, Freon (R404A) 0-2000 ppm, AC power, 3-color alarm LED's and buzzer	2,980.00
66-5A64-20-R	Air Alert, Freon (R404A) 0-2000 ppm, AC power, 2 relays	2,560.00
66-5A65-20-L	Air Alert, Freon (R410A) 0-2000 ppm, AC power, 3-color alarm LED's and buzzer	2,980.00
66-5A65-20-R	Air Alert, Freon (R410A) 0-2000 ppm, AC power, 2 relays	2,560.00
66-5A66-2K-L	Air Alert, Sulfur Hexafluoride (SF6) 0-2000 ppm, AC power, 3-color alarm LED's and buzzer	2,290.00
66-5A66-2K-R	Air Alert, Sulfur Hexafluoride (SF6) 0-2000 ppm, AC power, 2 relays	2,560.00
66-5A68-01-L	Air Alert, Arsine (AsH3) 0-1 ppm, AC power, 3-color alarm LED's and buzzer	2,530.00
66-5A68-01-R	Air Alert, Arsine (AsH3) 0-1 ppm, AC power, 2 relays	2,145.00
66-5A69-20-R	Air Alert, 0-2000 ppm R134A, AC powered, with relays	2,620.00
66-5A92-01-L	Air Alert, VOC (10.6 eV PID) 0-10 ppm, AC power, 3-color alarm LED's and buzzer	3,100.00
66-5A92-01-R	Air Alert, VOC (10.6 eV PID) 0-10 ppm, AC power, 2 relays	2,725.00
66-5A92-02-L	Air Alert, VOC (10.6 eV PID) 0-20 ppm, AC power, 3-color alarm LED's and buzzer	3,100.00
66-5A92-02-R	Air Alert, VOC (10.6 eV PID) 0-20 ppm, AC power, 2 relays	2,725.00
66-5A92-05-L	Air Alert, VOC (10.6 eV PID) 0-50 ppm, AC power, 3-color alarm LED's and buzzer	3,100.00
66-5A92-05-R	Air Alert, VOC (10.6 eV PID) 0-50 ppm, AC power, 2 relays	2,725.00
66-5A93-10-L	Air Alert, VOC (10.6 eV PID) 0-100 ppm, AC power, 3-color alarm LED's and buzzer	2,920.00
66-5A93-10-R	Air Alert, VOC (10.6 eV PID) 0-100 ppm, AC power, 2 relays	2,535.00
66-5A93-1K-L	Air Alert, VOC (10.6 eV PID) 0-1000 ppm, AC power, 3-color alarm LED's and buzzer	2,920.00
66-5A93-1K-R	Air Alert, VOC (10.6 eV PID) 0-1000 ppm, AC power, 2 relays	2,535.00
66-5A93-20-L	Air Alert, VOC (10.6 eV PID) 0-200 ppm, AC power, 3-color alarm LED's and buzzer	2,920.00
66-5A93-20-R	Air Alert, VOC (10.6 eV PID) 0-200 ppm, AC power, 2 relays	2,535.00

Numerical Index

Part#	Description	Suggested Retail
66-5A93-2K-L	Air Alert, VOC (10.6 eV PID) 0-2000 ppm, AC power, 3-color alarm LED's and buzzer	2,920.00
66-5A93-2K-R	Air Alert, VOC (10.6 eV PID) 0-2000 ppm, AC power, 2 relays	2,535.00
66-5A93-50-L	Air Alert, VOC (10.6 eV PID) 0-500 ppm, AC power, 3-color alarm LED's and buzzer	2,920.00
66-5A93-50-R	Air Alert, VOC (10.6 eV PID) 0-500 ppm, AC power, 2 relays	2,535.00
66-5A94-10-L	Air Alert, VOC (11.7 eV PID) 0-100 ppm, AC power, 3-color alarm LED's and buzzer	3,900.00
66-5A94-10-R	Air Alert, VOC (11.7 eV PID) 0-100 ppm, AC power, 2 relays	3,350.00
66-5A94-99-R	Air Alert, VOC (11.7 eV PID) 0-1000 ppm, AC power, 2 relays	2,580.00
66-5A95-01-L	Air Alert, VOC (10.0 eV PID) 0-10 ppm, AC power, 3-color alarm LED's and buzzer	3,100.00
66-5A95-01-R	Air Alert, VOC (10.0 eV PID) 0-10 ppm, AC power, 2 relays	2,535.00
66-5A95-02-L	Air Alert, VOC (10.0 eV PID) 0-20 ppm, AC power, 3-color alarm LED's and buzzer	3,100.00
66-5A95-02-R	Air Alert, VOC (10.0 eV PID) 0-20 ppm, AC power, 2 relays	2,535.00
66-5A95-05-L	Air Alert, VOC (10.0 eV PID) 0-50 ppm, AC power, 3-color alarm LED's and buzzer	3,100.00
66-5A95-05-R	Air Alert, VOC (10.0 eV PID) 0-50 ppm, AC power, 2 relays	2,535.00
66-5A95-10-L	Air Alert, VOC (10.0 eV PID) 0-100 ppm, AC power, 3-color alarm LED's and buzzer	3,100.00
66-5A95-10-R	Air Alert, VOC (10.0 eV PID) 0-100 ppm, AC power, 2 relays	2,535.00
66-5B01-99-W	Airlink Alert, Carbon Monoxide (CO) 0-1000 ppm, dual battery powered, 900 MHz radio	1,795.00
66-5B02-25-W	Airlink Alert, Oxygen (O2) 0-25% vol, dual battery powered, 900 MHz radio	1,725.00
66-5B03-01-W	Airlink Alert, Hydrogen Sulfide (H2S) 0-10 ppm, dual battery powered, 900 MHz radio	1,795.00
66-5B03-02-W	Airlink Alert, Hydrogen Sulfide (H2S) 0-25 ppm, dual battery powered, 900 MHz radio	1,795.00
66-5B03-05-W	Airlink Alert, Hydrogen Sulfide (H2S) 0-50 ppm, dual battery powered, 900 MHz radio	1,795.00
66-5B03-10-W	Airlink Alert, Hydrogen Sulfide (H2S) 0-100 ppm, dual battery powered, 900 MHz radio	1,795.00
66-5B03-2K-W	Airlink Alert, Hydrogen Sulfide (H2S) 0-2000 ppm, dual battery powered, 900 MHz radio	1,960.00
66-5B03-50-W	Airlink Alert, Hydrogen Sulfide (H2S) 0-500 ppm, dual battery powered, 900 MHz radio	1,960.00
66-5B04-02-W	Airlink Alert, Hydrogen Chloride (HCl) 0-20 ppm, dual battery powered, 900 MHz radio	1,960.00
66-5B04-10-W	Airlink Alert, Hydrogen Chloride (HCl) 0-100 ppm, dual battery powered, 900 MHz radio	1,960.00
66-5B05-50-W	Airlink Alert, Hydrogen Cyanide (HCN) 0-50 ppm, dual battery powered, 900 MHz radio	1,960.00
66-5B06-10-W	Airlink Alert, Ammonia (NH3) 0-100 ppm, dual battery powered, 900 MHz radio	1,960.00
66-5B06-99-W	Airlink Alert, Ammonia (NH3) 0-1000 ppm, dual battery powered, 900 MHz radio	1,960.00
66-5B07-25-W	Airlink Alert, Nitric Oxide (NO) 0-20 ppm, dual battery powered, 900 MHz radio	1,960.00
66-5B08-20-W	Airlink Alert, Nitrogen Dioxide (NO2) 0-20 ppm, dual battery powered, 900 MHz radio	1,960.00
66-5B09-05-W	Airlink Alert, Ozone (O3) 0-5 ppm, dual battery powered, 900 MHz radio	1,960.00
66-5B09-99-W	Airlink Alert, Ozone (O3) 0-100 ppm, dual battery powered, 900 MHz radio	1,960.00
66-5B10-20-W	Airlink Alert, Sulfur Dioxide (SO2) 0-20 ppm, dual battery powered, 900 MHz radio	1,960.00
66-5B11-10-W	Airlink Alert, Formaldehyde (HCHO) 0-10 ppm, dual battery powered, 900 MHz radio	2,435.00
66-5B12-10-W	Airlink Alert, Chlorine (Cl2) 0-10 ppm, dual battery powered, 900 MHz radio	1,960.00
66-5B13-01-W	Airlink Alert, Chlorine Dioxide (ClO2) 0-1 ppm, dual battery powered, 900 MHz radio	1,960.00
66-5B14-10-W	Airlink Alert, Hydrogen Fluoride (HF) 0-10 ppm, dual battery powered, 900 MHz radio	2,435.00
66-5B15-05-W	Airlink Alert, Phosphine (PH3) 0-5 ppm, dual battery powered, 900 MHz radio	2,560.00
66-5B16-10-W	Airlink Alert, Ethylene Oxide (ETO) 0-10 ppm, dual battery powered, 900 MHz radio	2,435.00
66-5B39-40-W	Airlink Alert, Hydrogen (H2) 0 - 100% LEL (0-4% vol), EC type, dual battery powered, 900 MHz radio	2,435.00
66-5B60-10-W	Airlink Alert, Hydrocarbons (CH4) 0-100% LEL, LPIR, dual battery powered, 900 MHz radio	2,435.00
66-5B62-99-W	Airlink Alert, Hydrocarbons (CH4) 0-100% vol, LPIR, dual battery powered, 900 MHz radio	2,435.00
66-5B63-10-W	Airlink Alert, Hydrocarbons (HC) 0-100% LEL, LPIR, dual battery powered, 900 MHz radio	2,435.00
66-5B64-20-W	Airlink Alert, Freon (R404A) 0-2000 ppm, LPIR, dual battery powered, 900 MHz radio	3,300.00
66-5B65-20-W	Airlink Alert, Freon (R410A) 0-2000 ppm, LPIR, dual battery powered, 900 MHz radio	3,300.00
66-5B67-05-W	Airlink Alert, Carbon Dioxide (CO2) 0-5% vol, LPIR, dual battery powered, 900 MHz radio	2,435.00
66-5B68-01-W	Airlink Alert, Arsine (AsH3) 0-1 ppm, dual battery powered, 900 MHz radio	2,435.00
66-5B92-01-W	Airlink Alert, VOC (10.6 eV PID) 0-10 ppm, dual battery powered, 900 MHz radio	3,550.00
66-5B92-02-W	Airlink Alert, VOC (10.6 eV PID) 0-20 ppm, dual battery powered, 900 MHz radio	3,550.00
66-5B92-05-W	Airlink Alert, VOC (10.6 eV PID) 0-50 ppm, dual battery powered, 900 MHz radio	3,550.00
66-5B93-10-W	Airlink Alert, VOC (10.6 eV PID) 0-100 ppm, dual battery powered, 900 MHz radio	3,380.00
66-5B93-1K-W	Airlink Alert, VOC (10.6 eV PID) 0-1000 ppm, dual battery powered, 900 MHz radio	3,380.00
66-5B93-20-W	Airlink Alert, VOC (10.6 eV PID) 0-200 ppm, dual battery powered, 900 MHz radio	3,380.00
66-5B93-2K-W	Airlink Alert, VOC (10.6 eV PID) 0-2000 ppm, dual battery powered, 900 MHz radio	3,380.00
66-5B93-50-W	Airlink Alert, VOC (10.6 eV PID) 0-500 ppm, dual battery powered, 900 MHz radio	3,380.00
66-5B94-10-W	Airlink Alert, VOC (11.7 eV PID) 0-100 ppm, dual battery powered, 900 MHz radio	4,100.00
66-5B95-01-W	Airlink Alert, VOC (10.0 eV PID) 0-10 ppm, dual battery powered, 900 MHz radio	3,550.00
66-5B95-02-W	Airlink Alert, VOC (10.0 eV PID) 0-20 ppm, dual battery powered, 900 MHz radio	3,550.00
66-5B95-05-W	Airlink Alert, VOC (10.0 eV PID) 0-50 ppm, dual battery powered, 900 MHz radio	3,550.00
66-5B95-10-W	Airlink Alert, VOC (10.0 eV PID) 0-100 ppm, dual battery powered, 900 MHz radio	3,550.00
66-6192-01	VOC Pro (10.6 eV PID) 0-10.00 ppm, low range sensor/transmitter with j-box	2,900.00

Numerical Index

Part#	Description	Suggested Retail
66-6192-01-R	VOC Pro sensor/transmitter w/j-box,0-10.00 ppm,10.6 eV lamp,low range sensor, w/2 relays	3,160.00
66-6192-01-W	AirLink VOC Pro (10.6 eV PID) 0-10.00 ppm, low range sensor/transmitter with j-box and 900 MHz radio	5,150.00
66-6192-02	VOC Pro (10.6 eV PID) 0-20.00 ppm, low range sensor/transmitter with j-box	2,900.00
66-6192-02-R	VOC Pro sensor/transmitter w/j-box,0-20.00 ppm,10.6 eV lamp,low range sensor, w/2 relays	3,160.00
66-6192-02-W	AirLink VOC Pro (10.6 eV PID) 0-20.00 ppm, low range sensor/transmitter with j-box and 900 MHz radio	5,150.00
66-6192-05	VOC Pro (10.6 eV PID) 0-50.00 ppm, low range sensor/transmitter with j-box	2,900.00
66-6192-05-R	VOC Pro sensor/transmitter w/j-box,0-50.00 ppm,10.6 eV lamp,low range sensor, w/2 relays	3,160.00
66-6192-05-W	AirLink VOC Pro (10.6 eV PID) 0-50.00 ppm, low range sensor/transmitter with j-box and 900 MHz radio	5,150.00
66-6193-10	VOC Pro (10.6 eV PID) 0-100 ppm, high range sensor/transmitter with j-box	2,700.00
66-6193-10-R	VOC Pro sensor/transmitter w/j-box,0-1000 ppm,10.6 eV lamp,high range sensor, w/2 relays	2,960.00
66-6193-10-W	AirLink VOC Pro (10.6 eV PID) 0-100 ppm, high range sensor/transmitter with j-box and 900 MHz radio	4,980.00
66-6193-1K	VOC Pro (10.6 eV PID) 0-1000 ppm, high range sensor/transmitter with j-box	2,500.00
66-6193-1K-R	VOC Pro sensor/transmitter w/j-box,0-1000 ppm,10.6 eV lamp,high range sensor, w/2 relays	2,760.00
66-6193-1K-W	AirLink VOC Pro (10.6 eV PID) 0-1000 ppm, high range sensor/transmitter with j-box and 900 MHz radio	4,980.00
66-6193-20	VOC Pro sensor/transmitter w/j-box,0-200ppm,10.6 eV lamp,high range sensor	2,500.00
66-6193-20-R	VOC Pro sensor/transmitter w/j-box,0-200 ppm,10.6 eV lamp,high range sensor, w/2 relays	2,760.00
66-6193-20-W	AirLink VOC Pro (10.6 eV PID) 0-200 ppm, high range sensor/transmitter with j-box and 900 MHz radio	4,980.00
66-6193-2K	VOC Pro (10.6 eV PID) 0-2000 ppm, high range sensor/transmitter with j-box	2,700.00
66-6193-2K-R	VOC Pro sensor/transmitter w/j-box,0-2000 ppm,10.6 eV lamp,high range sensor, w/2 relays	2,960.00
66-6193-2K-W	AirLink VOC Pro (10.6 eV PID) 0-2000 ppm, high range sensor/transmitter with j-box and 900 MHz radio	4,980.00
66-6193-50	VOC Pro (10.6 eV PID) 0-500 ppm, high range sensor/transmitter with j-box	2,700.00
66-6193-50-R	VOC Pro sensor/transmitter w/j-box,0-500 ppm,10.6 eV lamp,high range sensor, w/2 relays	2,960.00
66-6193-50-W	AirLink VOC Pro (10.6 eV PID) 0-500 ppm, high range sensor/transmitter with j-box and 900 MHz radio	4,980.00
66-6194-05	VOC Pro (11.7 ev PID) 0-50 ppm sensor/transmitter with j-box	3,200.00
66-6194-05-R	VOC Pro sensor/transmitter w/j-box,0-50 ppm,11.7 eV lamp, with 2 relays	3,460.00
66-6194-10	VOC Pro (11.7 ev PID) 0-100 ppm sensor/transmitter with j-box	3,400.00
66-6194-10-R	VOC Pro sensor/transmitter w/j-box,0-100 ppm,11.7 eV lamp, with 2 relays	3,660.00
66-6194-10-W	AirLink VOC Pro (11.7 ev PID) 0-100 ppm sensor/transmitter with j-box with 900 MHz radio	5,790.00
66-6195-01	VOC Pro (10.0 eV PID) 0-10.00 ppm sensor/transmitter with j-box	2,900.00
66-6195-01-W	AirLink VOC Pro (10.0 eV PID) 0-10.00 ppm sensor/transmitter with j-box with 900 MHz radio	5,150.00
66-6195-02	VOC Pro, (10.0 eV PID) 0-20.00 ppm, sensor/transmitter with j-box	2,900.00
66-6195-02-R	VOC Pro sensor/transmitter w/j-box,0-20 ppm,10.0 eV lamp, with 2 relays	3,160.00
66-6195-02-W	AirLink VOC Pro, (10.0 eV PID) 0-20.00 ppm, sensor/transmitter with j-box with 900 MHz radio	5,150.00
66-6195-05	VOC Pro, (10.0 eV PID) 0-50.00 ppm, sensor/transmitter with j-box	2,900.00
66-6195-05-R	VOC Pro sensor/transmitter w/j-box,0-50 ppm,10.0 eV lamp, with 2 relays	3,160.00
66-6195-05-W	AirLink VOC Pro, (10.0 eV PID) 0-50.00 ppm, sensor/transmitter with j-box with 900 MHz radio	5,150.00
66-6195-10	VOC Pro, (10.0 eV PID) 0-100.00 ppm, sensor/transmitter with j-box	2,900.00
66-6195-10-R	VOC Pro sensor/transmitter w/j-box,0-100 ppm,10.0 eV lamp, with 2 relays	3,160.00
66-6195-10-W	AirLink VOC Pro, (10.0 eV PID) 0-100.00 ppm, sensor/transmitter with j-box with 900 MHz radio	5,150.00
66-6201-02	T2A sensor/transmitter w/j-box,Carbon Monoxide (CO),0-200 ppm	1,660.00
66-6201-03	T2A sensor/transmitter with j-box, Carbon Monoxide (CO), 0-300 ppm	1,660.00
66-6201-05	T2A sensor/transmitter with j-box, Carbon Monoxide (CO), 0-500 ppm	1,660.00
66-6201-1K	T2A sensor/transmitter with j-box, Carbon Monoxide (CO), 0-1000 ppm	1,660.00
66-6202-25	T2A sensor/transmitter with j-box, Oxygen (O2) capillary, 0-25%	1,840.00
66-6203-01	T2A sensor/transmitter with j-box, Hydrogen Sulfide (H2S), 0-10 ppm	1,660.00
66-6203-02	T2A sensor/transmitter with j-box, Hydrogen Sulfide (H2S), 0-25 ppm	1,660.00
66-6203-05	T2A sensor/transmitter with j-box, Hydrogen Sulfide (H2S), 0-50 ppm	1,660.00
66-6203-10	T2A sensor/transmitter with j-box, Hydrogen Sulfide (H2S), 0-100 ppm	1,660.00
66-6203-2K	T2A sensor/transmitter with j-box, Hydrogen Sulfide (H2S), 0-2000 ppm	1,840.00
66-6203-50	T2A sensor/transmitter with j-box, Hydrogen Sulfide (H2S), 0-500 ppm	1,840.00
66-6204-10	T2A sensor/transmitter w/j-box, Hydrogen Chloride (HCl),0-10 ppm	1,840.00
66-6204-20	T2A sensor/transmitter with j-box, Hydrogen Chloride (HCl), 0-20 ppm	2,330.00
66-6204-30	T2A sensor/transmitter with j-box, Hydrogen Chloride (HCl), 0-30 ppm	2,330.00
66-6204-99	T2A sensor/transmitter with j-box, Hydrogen Chloride (HCl), 0-100 ppm	2,330.00
66-6205-15	T2A sensor/transmitter with j-box, Hydrogen Cyanide (HCN), 0-15 ppm	1,840.00
66-6205-30	T2A sensor/transmitter with j-box, Hydrogen Cyanide (HCN), 0-30 ppm	1,840.00
66-6205-50	T2A sensor/transmitter with j-box, Hydrogen Cyanide (HCN), 0-50 ppm	1,840.00
66-6206-07	T2A sensor/transmitter with j-box, Ammonia (NH3), 0-75 ppm	1,840.00
66-6206-10	T2A sensor/transmitter with j-box, Ammonia (NH3), 0-100 ppm	1,840.00
66-6206-10L	T2A sensor/transmitter with j-box, Ammonia (NH3), 0-100 ppm, long life, low humidity	2,020.00
66-6206-1K	T2A sensor/transmitter with j-box, Ammonia (NH3), 0-1000 ppm	1,840.00

Numerical Index

Part#	Description	Suggested Retail
66-6206-20	T2A sensor/transmitter with j-box, Ammonia (NH3), 0-200 ppm	1,840.00
66-6206-30	T2A sensor/transmitter with j-box, Ammonia (NH3), 0-300 ppm	1,840.00
66-6206-40	T2A sensor/transmitter with j-box, Ammonia (NH3), 0-400 ppm	1,840.00
66-6206-50	T2A sensor/transmitter with j-box, Ammonia (NH3), 0-500 ppm	1,840.00
66-6206-75	T2A sensor/transmitter with j-box, Ammonia (NH3), 0-75 ppm	1,840.00
66-6207-25	T2A sensor/transmitter with j-box, Nitric Oxide (NO), 0-250 ppm	1,840.00
66-6208-02	T2A sensor/transmitter w/j-box, Nitrogen Dioxide (NO2),0-20 ppm	1,840.00
66-6208-20	T2A sensor/transmitter with j-box, Nitrogen Dioxide (NO2), 0-20 ppm	1,840.00
66-6209-01	T2A sensor/transmitter w/j-box, Ozone (O3), 0-100 ppm.....	1,840.00
66-6209-05	T2A sensor/transmitter with j-box, Ozone (O3), 0-5 ppm.....	1,840.00
66-6209-99	T2A sensor/transmitter with j-box, Ozone (O3), 0-100 ppm.....	1,840.00
66-6210-01	T2A sensor/transmitter w/j-box, Sulfur Dioxide (SO2), 0-20 ppm	1,650.00
66-6210-20	T2A sensor/transmitter with j-box, Sulfur Dioxide (SO2), 0-20 ppm	1,840.00
66-6211-10	T2A sensor/transmitter with j-box, Formaldehyde (HCHO), 0-10 ppm	2,330.00
66-6212-03	T2A sensor/transmitter with j-box, Chlorine (Cl2), 0-3 ppm.....	1,840.00
66-6212-05	T2A sensor/transmitter w/j-box, Chlorine (Cl2),0-5 ppm	1,840.00
66-6212-10	T2A sensor/transmitter with j-box, Chlorine (Cl2), 0-10 ppm	1,840.00
66-6212-20	T2A sensor/transmitter with j-box, Chlorine (Cl2), 0-20 ppm	1,840.00
66-6213-01	T2A sensor/transmitter with j-box, Chlorine Dioxide (ClO2), 0-1 ppm	1,840.00
66-6213-05	T2A sensor/transmitter with j-box, Chlorine Dioxide (ClO2), 0-5 ppm	1,840.00
66-6214-01	T2A sensor/transmitter w/j-box, Hydrogen Fluoride (HF),0-10 ppm	2,330.00
66-6214-10	T2A sensor/transmitter with j-box, Hydrogen Fluoride (HF), 0-10 ppm	2,330.00
66-6215-05	T2A sensor/transmitter with j-box, Phosphine (PH3), 0-5 ppm	2,330.00
66-6216-10	T2A sensor/transmitter with j-box, Ethylene Oxide (ETO), 0-10 ppm	2,330.00
66-6239-40	T2A sensor/transmitter with j-box, Hydrogen (H2), 0-100% LEL (0-4% vol), EC sensor type	2,330.00
66-6268-01	T2A sensor/transmitter with j-box, Arsine (AsH3), 0-1.0 ppm	2,330.00
66-6301-05	T3A sensor/transmitter with j-box, Carbon Monoxide (CO), 0-500 ppm	1,500.00
66-6301-05-R	T3A sensor/transmitter with j-box, CO, 0-500 ppm,with 2 relays	1,760.00
66-6301-05-W	AirLink T3A sensor/transmitter with j-box, Carbon Monoxide (CO), 0-500 ppm with 900 MHz radio ...	3,760.00
66-6301-1K	T3A sensor/transmitter with j-box, Carbon Monoxide (CO), 0-1,000 ppm	1,500.00
66-6301-1K-R	T3A sensor/transmitter with j-box, Carbon Monoxide (CO), 0-1,000 ppm with 2 alarm relays	1,760.00
66-6301-1K-W	AirLink T3A sensor/transmitter with j-box, Carbon Monoxide (CO), 0-1,000 ppm with 900 MHz radio ...	3,760.00
66-6302-25	T3A sensor/transmitter with j-box, Oxygen (O2) capillary, 0-25%	1,670.00
66-6302-25-R	T3A sensor/transmitter with j-box, Oxygen (O2) capillary, 0-25% with 2 alarm relays	1,930.00
66-6302-25-W	AirLink T3A sensor/transmitter with j-box, Oxygen (O2) capillary, 0-25% with 900 MHz radio	3,760.00
66-6302-25-W-R	AirLink T3A sensor/transmitter with j-box, Oxygen (O2), 0-25%, 900 MHz, w/ 2 relays	4,020.00
66-6303-01	T3A sensor/transmitter with j-box, Hydrogen Sulfide (H2S), 0-10 ppm	1,500.00
66-6303-01-W	AirLink T3A sensor/transmitter with j-box, Hydrogen Sulfide (H2S), 0-10 ppm with 900 MHz radio	3,760.00
66-6303-02	T3A sensor/transmitter with j-box, Hydrogen Sulfide (H2S), 0-25 ppm	1,500.00
66-6303-02-W	AirLink T3A sensor/transmitter with j-box, Hydrogen Sulfide (H2S), 0-25 ppm with 900 MHz radio	3,760.00
66-6303-05	T3A sensor/transmitter with j-box, Hydrogen Sulfide (H2S), 0-50 ppm	1,500.00
66-6303-05-W	AirLink T3A sensor/transmitter with j-box, Hydrogen Sulfide (H2S), 0-50 ppm with 900 MHz radio	3,760.00
66-6303-10	T3A sensor/transmitter with j-box, Hydrogen Sulfide (H2S), 0-100 ppm.....	1,500.00
66-6303-10-R	T3A sensor/transmitter with j-box, Hydrogen Sulfide (H2S), 0-100 ppm with 2 alarm relays.....	1,760.00
66-6303-10-W	AirLink T3A sensor/transmitter with j-box, Hydrogen Sulfide (H2S), 0-100 ppm with 900 MHz radio ...	3,760.00
66-6303-20-W	T3A sensor/transmitter w/j-box,0-2000 ppm H2S sensor with 900 MHz radio	3,550.00
66-6303-2K	T3A sensor/transmitter with j-box, Hydrogen Sulfide (H2S), 0-2000 ppm	1,670.00
66-6303-2K-W	AirLink T3A sensor/transmitter with j-box, Hydrogen Sulfide (H2S), 0-2000 ppm with 900 MHz radio ...	3,930.00
66-6303-50	T3A sensor/transmitter with j-box, Hydrogen Sulfide (H2S), 0-500 ppm.....	1,670.00
66-6303-50-W	AirLink T3A sensor/transmitter with j-box, Hydrogen Sulfide (H2S), 0-500 ppm with 900 MHz radio ...	3,930.00
66-6304-20	T3A sensor/transmitter with j-box, Hydrogen Chloride (HCl), 0-20 ppm.....	2,150.00
66-6304-20-R	T3A sensor/transmitter with j-box, Hydrogen Chloride (HCl), 0-20 ppm with 2 alarm relays.....	2,310.00
66-6304-20-W	AirLink T3A sensor/transmitter with j-box, Hydrogen Chloride (HCl), 0-20 ppm with 900 MHz radio ...	4,400.00
66-6304-30	T3A sensor/transmitter with j-box, Hydrogen Chloride (HCl), 0-30 ppm.....	2,150.00
66-6304-30-R	T3A sensor/transmitter with j-box, HCl, 0-30 ppm, with 2 relays	2,410.00
66-6304-30-W	AirLink T3A sensor/transmitter with j-box, Hydrogen Chloride (HCl), 0-30 ppm with 900 MHz radio ...	4,400.00
66-6304-30-W-R	AirLink T3A sensor/transmitter with j-box, HCl, 0-30 ppm, 900 MHz, w/ w relays	4,660.00
66-6304-99	T3A sensor/transmitter with j-box, Hydrogen Chloride (HCl), 0-100 ppm	1,670.00
66-6304-99-W	AirLink T3A sensor/transmitter with j-box, Hydrogen Chloride (HCl), 0-100 ppm with 900 MHz radio ...	3,930.00
66-6305-50	T3A sensor/transmitter with j-box, Hydrogen Cyanide (HCN), 0-50 ppm	1,670.00
66-6305-50-R	T3A sensor/transmitter with j-box, HCN, 0-50 ppm, with 2 relays	1,930.00

Numerical Index

Part#	Description	Suggested Retail
66-6305-50-W	AirLink T3A sensor/transmitter with j-box, Hydrogen Cyanide (HCN), 0-50 ppm with 900 MHz radio ...	3,930.00
66-6306-10	T3A sensor/transmitter with j-box, Ammonia (NH3), 0-100 ppm	1,670.00
66-6306-10-R	T3A sensor/transmitter with j-box, Ammonia (NH3), 0-100 ppm with 2 alarm relays.....	1,930.00
66-6306-10-W	AirLink T3A sensor/transmitter with j-box, Ammonia (NH3), 0-100 ppm with 900 MHz radio	3,930.00
66-6306-10L-R	T3A sensor/transmitter with j-box, Ammonia (NH3), 0-100 ppm, long life/humidity resistant sen, w/2relays.....	1,930.00
66-6306-1K	T3A sensor/transmitter with j-box, Ammonia (NH3), 0-1000 ppm	1,670.00
66-6306-1K-W	AirLink T3A sensor/transmitter with j-box, Ammonia (NH3), 0-1000 ppm with 900 MHz radio	3,930.00
66-6306-20	T3A sensor/transmitter with j-box, Ammonia (NH3), 0-200 ppm	1,670.00
66-6306-20-R	T3A sensor/transmitter with j-box, Ammonia (NH3), 0-200 ppm with 2 alarm relays.....	1,930.00
66-6306-20-W	AirLink T3A sensor/transmitter with j-box, Ammonia (NH3), 0-200 ppm with 900 MHz radio	3,930.00
66-6306-30	T3A sensor/transmitter with j-box, Ammonia (NH3), 0-300 ppm	1,670.00
66-6306-30-W	AirLink T3A sensor/transmitter with j-box, Ammonia (NH3), 0-300 ppm with 900 MHz radio	3,930.00
66-6306-50	T3A sensor/transmitter with j-box, Ammonia (NH3), 0-500 ppm	1,670.00
66-6306-50-R	T3A sensor/transmitter with j-box, Ammonia (NH3), 0-500 ppm, with 2 relays	1,930.00
66-6306-50-W	AirLink T3A sensor/transmitter with j-box, Ammonia (NH3), 0-500 ppm with 900 MHz radio	3,930.00
66-6307-25	T3A sensor/transmitter with j-box, Nitric Oxide (NO), 0-250 ppm	1,670.00
66-6307-25-R	T3A sensor/transmitter with j-box, Nitric Oxide (NO), 0-250 ppm with 2 alarm relays	1,930.00
66-6307-25-W	AirLink T3A sensor/transmitter with j-box, Nitric Oxide (NO), 0-250 ppm with 900 MHz radio	3,930.00
66-6308-20	T3A sensor/transmitter with j-box, Nitrogen Dioxide (NO2), 0-20 ppm	1,670.00
66-6308-20-R	T3A sensor/transmitter with j-box, Nitrogen Dioxide (NO2), 0-20 ppm with 2 alarm relays	1,930.00
66-6308-20-W	AirLink T3A sensor/transmitter with j-box, Nitrogen Dioxide (NO2), 0-20 ppm with 900 MHz radio	3,930.00
66-6309-05	T3A sensor/transmitter with j-box, Ozone (O3), 0-5 ppm.....	2,150.00
66-6309-05-W	AirLink T3A sensor/transmitter with j-box, Ozone (O3), 0-5 ppm with 900 MHz radio	3,930.00
66-6309-99	T3A sensor/transmitter with j-box, Ozone (O3), 0-100 ppm.....	2,150.00
66-6309-99-W	AirLink T3A sensor/transmitter with j-box, Ozone (O3), 0-100 ppm with 900 MHz radio	3,930.00
66-6310-20	T3A sensor/transmitter with j-box, Sulfur Dioxide (SO2), 0-20 ppm	1,670.00
66-6310-20-R	T3A sensor/transmitter with j-box, Sulfur Dioxide (SO2), 0-20 ppm with 2 alarm relays	1,930.00
66-6310-20-W	AirLink T3A sensor/transmitter with j-box, Sulfur Dioxide (SO2), 0-20 ppm with 900 MHz radio	3,930.00
66-6311-10	T3A sensor/transmitter with j-box, Formaldehyde (HCHO), 0-10 ppm	2,150.00
66-6311-10-W	AirLink T3A sensor/transmitter with j-box, Formaldehyde (HCHO), 0-10 ppm with 900 MHz radio	4,400.00
66-6312-10	T3A sensor/transmitter with j-box, Chlorine (Cl2), 0-10 ppm	1,670.00
66-6312-10-R	T3A sensor/transmitter with j-box, Chlorine (Cl2), 0-10 ppm with 2 alarm relays	1,930.00
66-6312-10-W	AirLink T3A sensor/transmitter with j-box, Chlorine (Cl2), 0-10 ppm with 900 MHz radio	3,930.00
66-6313-01	T3A sensor/transmitter with j-box, Chlorine Dioxide (ClO2), 0-1 ppm	1,670.00
66-6313-01-R	T3A sensor/transmitter with j-box, Chlorine Dioxide (ClO2), 0-1 ppm with 2 alarm relays.....	1,930.00
66-6313-01-W	AirLink T3A sensor/transmitter with j-box, Chlorine Dioxide (ClO2), 0-1 ppm with 900 MHz radio	3,930.00
66-6313-05	T3A sensor/transmitter with j-box, Chlorine Dioxide (ClO2), 0-5 ppm	1,670.00
66-6313-05-R	T3A sensor/transmitter with j-box, Chlorine Dioxide (ClO2), 0-5 ppm with 2 alarm relays.....	1,930.00
66-6313-05-W	AirLink T3A sensor/transmitter with j-box, Chlorine Dioxide (ClO2), 0-5 ppm with 900 MHz radio	3,930.00
66-6314-10	T3A sensor/transmitter with j-box, Hydrogen Fluoride (HF), 0-10 ppm	2,150.00
66-6314-10-R	T3A sensor/transmitter with j-box, Hydrogen Fluoride (HF), 0-10 ppm with 2 alarm relays	2,410.00
66-6314-10-W	AirLink T3A sensor/transmitter with j-box, Hydrogen Fluoride (HF), 0-10 ppm with 900 MHz radio	4,400.00
66-6315-05	T3A sensor/transmitter with j-box, Phosphine (PH3), 0-5 ppm	2,310.00
66-6315-05-R	T3A sensor/transmitter with j-box, Phosphine (PH3), 0-5 ppm with 2 alarm relays	2,570.00
66-6315-05-W	AirLink T3A sensor/transmitter with j-box, Phosphine (PH3), 0-5 ppm with 900 MHz radio	4,575.00
66-6316-10	T3A sensor/transmitter with j-box, Ethylene Oxide (ETO), 0-10 ppm	2,150.00
66-6316-10-W	AirLink T3A sensor/transmitter with j-box, Ethylene Oxide (ETO), 0-10 ppm with 900 MHz radio	4,400.00
66-6339-40	T3A sensor/transmitter with j-box, Hydrogen (H2), 0-100% LEL (0-4% vol), EC	2,150.00
66-6339-40-W	AirLink T3A sensor/transmitter with j-box, Hydrogen (H2) 0-100% LEL (0-4% vol), EC with 900 MHz radio.....	4,400.00
66-6340-10	T3A sensor/transmitter with j-box, Hydrocarbon (CH4) 0-100% LEL catalytic	1,500.00
66-6340-10-R	T3A sensor/transmitter with j-box, Hydrocarbon(CH4) 0-100% LEL, catalytic with 2 alarm relays.....	1,760.00
66-6340-10-W	AirLink T3A sensor/transmitter with j-box, Hydrocarbon (CH4) 0-100%LEL, catalytic with 900 MHz radio	3,760.00
66-6350-05	T3A sensor/transmitter with j-box, Carbon Dioxide (CO2) IR, 0-5% vol	2,150.00
66-6350-05-R	T3A sensor/transmitter with j-box, Carbon Dioxide (CO2) IR, 0-5% vol with 2 alarm relays	2,410.00
66-6350-05-W	AirLink T3A sensor/transmitter with j-box, Carbon Dioxide (CO2) IR, 0-5% vol with 900 MHz radio	4,400.00
66-6351-01	T3A sensor/transmitter with j-box, LEL IR CH4, 0-100% LEL.....	1,945.00
66-6351-01-R	T3A sensor/transmitter with j-box, LEL IR CH4, 0-100% LEL, with 2 relays	2,445.00
66-6351-10-R	T3A sensor/transmitter with j-box, Hydrocarbon (CH4) 0-100% LEL, IR with 2 alarm relays	2,445.00
66-6351-10-W	AirLink T3A sensor/transmitter with j-box, Hydrocarbon (CH4) 0-100% LEL, IR with 900 MHz radio	4,400.00
66-6352-99	T3A sensor/transmitter with j-box, Hydrocarbon (CH4) 0-100% vol, IR	2,150.00

Numerical Index

Part#	Description	Suggested Retail
66-6352-99-W	AirLink T3A sensor/transmitter with j-box, Hydrocarbon (CH4) 0-100% vol, IR with 900 MHz radio	4,400.00
66-6353-10	T3A sensor/transmitter with j-box, Hydrocarbon (HC) 0-100% LEL, IR	2,150.00
66-6353-10-R	T3A sensor/transmitter with j-box, Hydrocarbon (HC) 0-100% LEL, IR with 2 alarm relays	2,445.00
66-6353-10-W	AirLink T3A sensor/transmitter with j-box, Hydrocarbon (HC) 0-100% LEL, IR with 900 MHz radio	4,400.00
66-6353-10-W-R	AirLink T3A sensor/transmitter with j-box, IR Hydrocarbon (HC), 0-100% LEL, 900 MHz, w/ 2 relays	4,660.00
66-6354-05	T3A sensor/transmitter with j-box, Carbon Dioxide (CO2) IR, 0-5000 ppm	2,150.00
66-6354-05-W	AirLink T3A sensor/transmitter with j-box, Carbon Dioxide (CO2), IR, 0-5000 ppm with 900 MHz radio	4,400.00
66-6368-01	T3A sensor/transmitter with j-box, Arsine (AsH3), 0-1 ppm	2,150.00
66-6368-01-W	AirLink T3A sensor/transmitter with j-box, Arsine (AsH3), 0-1 ppm with 900 MHz radio	4,400.00
66-6901-1K-W	Airlink 6900, Carbon Monoxide (CO) 0-1000 ppm, dual battery, wireless transmitter, 900 MHz radio	3,860.00
66-6902-25-W	Airlink 6900, Oxygen (O2) 0-25% vol, dual battery, wireless transmitter, 900 MHz radio	4,040.00
66-6903-01-W	Airlink 6900, Hydrogen Sulfide (H2S) 0-10 ppm, dual battery, wireless transmitter, 900 MHz radio	3,860.00
66-6903-02-W	Airlink 6900, Hydrogen Sulfide (H2S) 0-25 ppm, dual battery, wireless transmitter, 900 MHz radio	3,860.00
66-6903-05-W	Airlink 6900, Hydrogen Sulfide (H2S) 0-50 ppm, dual battery, wireless transmitter, 900 MHz radio	3,860.00
66-6903-10-W	Airlink 6900, Hydrogen Sulfide (H2S) 0-100 ppm, dual battery, wireless transmitter, 900 MHz radio	3,860.00
66-6903-2K-W	Airlink 6900, Hydrogen Sulfide (H2S) 0-2000 ppm, dual battery, wireless transmitter, 900 MHz radio	4,040.00
66-6903-50-W	Airlink 6900, Hydrogen Sulfide (H2S) 0-500 ppm, dual battery, wireless transmitter, 900 MHz radio	4,040.00
66-6904-20-W	Airlink 6900, Hydrogen Chloride (HCl) 0-20 ppm, dual battery, wireless transmitter, 900 MHz radio	4,495.00
66-6904-99-W	Airlink 6900, Hydrogen Chloride (HCl) 0-100 ppm, dual battery, wireless transmitter, 900 MHz radio	4,495.00
66-6905-50-W	Airlink 6900, Hydrogen Cyanide (HCN) 0-50 ppm, dual battery, wireless transmitter, 900 MHz radio	4,040.00
66-6906-10-W	Airlink 6900, Ammonia (NH3) 0-100 ppm, dual battery, wireless transmitter, 900 MHz radio	4,040.00
66-6906-1K-W	Airlink 6900, Ammonia (NH3) 0-1000 ppm, dual battery, wireless transmitter, 900 MHz radio	4,040.00
66-6906-20-W	Airlink 6900, Ammonia (NH3) 0-200 ppm, dual battery, wireless transmitter, 900 MHz radio	3,700.00
66-6906-75-W	Airlink 6900, Ammonia (NH3) 0-75 ppm, dual battery, wireless transmitter, 900 MHz radio	3,700.00
66-6907-25-W	Airlink 6900, Nitric Oxide (NO) 0-250 ppm, dual battery, wireless transmitter, 900 MHz radio	4,040.00
66-6908-20-W	Airlink 6900, Nitrogen Dioxide (NO2) 0-20 ppm, dual battery, wireless transmitter, 900 MHz radio	4,040.00
66-6909-05-W	Airlink 6900, Ozone (O3) 0-5 ppm, dual battery, wireless transmitter, 900 MHz radio	4,040.00
66-6909-99-W	Airlink 6900, Ozone (O3) 0-100 ppm, dual battery, wireless transmitter, 900 MHz radio	4,040.00
66-6910-20-W	Airlink 6900, Sulfur Dioxide (SO2) 0-20 ppm, dual battery, wireless transmitter, 900 MHz radio	4,040.00
66-6911-10-W	Airlink 6900, Formaldehyde (HCHO) 0-10 ppm, dual battery, wireless transmitter, 900 MHz radio	4,495.00
66-6912-10-W	Airlink 6900, Chlorine (Cl2) 0-10 ppm, dual battery, wireless transmitter, 900 MHz radio	4,040.00
66-6913-01-W	Airlink 6900, Chlorine Dioxide (ClO2) 0-1 ppm, dual battery, wireless transmitter, 900 MHz radio	4,040.00
66-6914-10-W	Airlink 6900, Hydrogen Fluoride (HF) 0-10 ppm, dual battery, wireless transmitter, 900 MHz radio	4,495.00
66-6915-05-W	Airlink 6900, Phosphine (PH3) 0-5 ppm, dual battery, wireless transmitter, 900 MHz radio	4,670.00
66-6916-10-W	Airlink 6900, Ethylene Oxide (ETO) 0-10 ppm, dual battery, wireless transmitter, 900 MHz radio	4,495.00
66-6939-40-W	Airlink 6900, Hydrogen (H2), 0-100% LEL (0-4% vol), EC, dual battery, wireless transmitter, 900 MHz radio	4,495.00
66-6960-10-W	Airlink 6900, Combustibles (CH4) 0-100% LEL, LPIR, dual battery, wireless transmitter, 900 MHz radio	4,495.00
66-6962-99-W	Airlink 6900, Combustibles (CH4) 0-100% vol, LPIR, dual battery, wireless transmitter, 900 MHz radio	4,495.00
66-6963-10-W	Airlink 6900, Combustibles (HC) 0-100% LEL, LPIR, dual battery, wireless transmitter, 900 MHz radio	4,495.00
66-6967-05-W	Airlink 6900, Carbon Dioxide (CO2) 0-5% vol, LPIR, dual battery, wireless transmitter, 900 MHz radio	4,495.00
66-6968-01-W	Airlink 6900, Arsine (AH3) 0-1 ppm, dual battery, wireless transmitter, 900 MHz radio	4,495.00
66-6992-01-W	Airlink 6900, VOC (10.6 eV PID) 0-10 ppm, dual battery, wireless transmitter, 900 MHz radio	5,090.00
66-6992-02-W	Airlink 6900, VOC (10.6 eV PID) 0-20 ppm, dual battery, wireless transmitter, 900 MHz radio	5,090.00
66-6992-50-W	Airlink 6900, VOC (10.6 eV PID) 0-50 ppm, dual battery, wireless transmitter, 900 MHz radio	5,090.00
66-6993-10-W	Airlink 6900, VOC (10.6 eV PID) 0-100 ppm, dual battery, wireless transmitter, 900 MHz radio	4,910.00
66-6993-1K-W	Airlink 6900, VOC (10.6 eV PID) 0-1000 ppm, dual battery, wireless transmitter, 900 MHz radio	4,910.00
66-6993-20-W	Airlink 6900, VOC (10.6 eV PID) 0-200 ppm, dual battery, wireless transmitter, 900 MHz radio	4,910.00
66-6993-2K-W	Airlink 6900, VOC (10.6 eV PID) 0-2000 ppm, dual battery, wireless transmitter, 900 MHz radio	4,910.00
66-6993-50-W	Airlink 6900, VOC (10.6 eV PID) 0-500 ppm, dual battery, wireless transmitter, 900 MHz radio	4,910.00
66-6994-10-W	Airlink 6900, VOC (11.7 eV PID) 0-100 ppm, dual battery, wireless transmitter, 900 MHz radio	5,700.00
66-6995-01-W	Airlink 6900, VOC (10.0 eV PID) 0-10 ppm, dual battery, wireless transmitter, 900 MHz radio	5,090.00
66-6995-02-W	Airlink 6900, VOC (10.0 eV PID) 0-20 ppm, dual battery, wireless transmitter, 900 MHz radio	5,090.00
66-6995-05-W	Airlink 6900, VOC (10.0 eV PID) 0-50 ppm, dual battery, wireless transmitter, 900 MHz radio	5,090.00
66-6995-10-W	Airlink 6900, VOC (10.0 eV PID) 0-100 ppm, dual battery, wireless transmitter, 900 MHz radio	5,090.00
66-7530-2N-A	AirLink 7530 relay module, 32 wireless channels with 100-240 VAC power, 2.4 GHz radio, non explosion proof	2,520.00
66-7530-2X-A	AirLink 7530 wireless relayer, explosion proof, 2.4 GHz radio, 100-240 VAC power	4,100.00
66-7530-9N-A	AirLink 7530 relay module, 32 wireless channels with 100-240 VAC power, 900 MHz radio, non explosion proof	2,520.00
66-7530-9X-A	AirLink 7530 wireless relayer, explosion proof, 900 MHz radio, 100-240 VAC power	4,100.00

Numerical Index

Part#	Description	Suggested Retail
66-9900-2	AirLink 9900 signal repeater, 2.4 GHz radio, 12-35 VDC power, with one flexible antenna, one right-angle antenna, 10' extension cable, and one lightening ground cable	3,755.00
66-9900-2N-A	AirLink 9900 signal repeater, 2.4 GHz radio with one flexible and one right angle antenna, 100-240 VAC power with power cord and cable grip, non-explosion proof	2,090.00
66-9900-2N-D	AirLink 9900 signal repeater, 2.4 GHz radio with one flexible and one right angle antenna, 12-35 VDC power, non-explosion proof	1,850.00
66-9900-9	AirLink 9900 signal repeater, 900 MHz radio, 12-35 VDC power, with one flexible antenna, one right-angle antenna, 10' antenna extension cable, and one lightening ground cable	3,755.00
66-9900-9N-A	AirLink 9900 signal repeater, 900 MHz radio with one flexible and one right angle antenna, 100-240 VAC power with power cord and cable grip, non-explosion proof	2,090.00
66-9900-9N-D	AirLink 9900 signal repeater, 900 MHz radio with one flexible and one right angle antenna, 12-35 VDC power, non-explosion proof	1,850.00
71-0089RK	Operator's Manual, Model GX-2003	6.00
71-0129RK	Quick reference card,2-sided,standard Eagle	2.00
71-0129RK-SPN	Quick reference card,2-sided,standard Eagle,Spanish	2.00
71-0140RK	Quick reference card,GasWatch 2	2.00
71-0140RK-SPN	Quick reference card,GasWatch 2,Spanish	2.00
71-0141RK	Quick reference card,01 Series	2.00
71-0141RK-SPN	Quick reference card,01 Series,Spanish	2.00
71-0152RK	Quick Reference Guide,SC-01 Toxic Gas Monitor	2.00
71-0152RK-SPN	Quick Reference Guide,SC-01 Toxic Gas Monitor,Spanish	2.00
71-0160RK	Quick Reference Guide,GX-2009	2.00
71-0186RK	Quick Reference Guide, Eagle 2	2.00
72-0012	GasWatch 3, O2, Galvanic sensor, with alligator clip.....	195.00
72-0012-01	GasWatch 3, O2, Galvanic sensor, with wrist band	195.00
72-0018	OX-04, Oxygen (O2) 0-40%, alkaline batteries and alligator clip	195.00
72-0037	GP-03, 0-100 % LEL with alligator clip and alkaline batteries	320.00
72-0037-05	GP-03, 0-100 % LEL with alligator clip, alkaline batteries, and calibration cup	345.00
72-0037-50	Kit including a GP-03 with alkaline batteries, screwdriver, and small padded case	405.00
72-0037-56	Kit including a GP-03 with alkaline batteries, screwdriver, case, and calibration kit (34L cyl 50% LEL CH4/Air, regulator, cal cup & tubing).....	660.00
72-0038	GP-03, 0-100 % LEL with alligator clip and Ni-MH batteries only with no charger	345.00
72-0038-01	GP-03, 0-100 % LEL with alligator clip and Ni-MH batteries with 100-240 VAC / 12 VDC bench charger for 4 batteries	375.00
72-0038-05	GP-03, 0-100 % LEL with alligator clip and Ni-MH batteries with 100-240 VAC / 12 VDC bench charger for 4 batteries	405.00
72-0038-50	Kit including a GP-03 with Ni-MH batteries and 100-240 VAC / 12 VDC bench charger for 4 batteries, screwdriver, and small padded case	475.00
72-0038-56	Kit including a GP-03 with Ni-MH batteries and 100-240 VAC / 12 VDC bench charger for 4 batteries, screwdriver, case, and calibration kit (34L cyl 50% LEL CH4/Air, regulator, cal cup & tubing) ...	730.00
72-0064-05	SP-220 gas leak checker, type SC for super toxics.....	680.00
72-0064-06	SP-220 gas leak checker, type FUM for fumigation gases.....	840.00
72-0064-07	SP-220 gas leak checker, type M for methane	840.00
72-0064-08	SP-220 gas leak checker, type L for LPG	840.00
72-0064-09	SP-220 gas leak checker, type F for chlorofluorocarbons CFC's	840.00
72-0064-10	SP-220 gas leak checker, type H2 for hydrogen	895.00
72-0076-CH4	GP-1000 sample draw combustible detector for methane, 0 - 10% LEL / 100% LEL	995.00
72-0076-CH4-01	GP-1000 sample draw combustible detector for methane, 0 - 10% LEL / 100% LEL, with carrying case and screen protector	1,100.00
72-0076-CH4-51	GP-1000 sample draw combustible detector for methane, 0 - 10% LEL / 100% LEL, with carrying case, 34L 50% LEL CH4 in Air, demand flow regulator, tubing and screen protector	1,605.00
72-0076-HC	GP-1000 sample draw combustible detector for isobutane, 0 - 10% LEL / 100% LEL	995.00
72-0077-HC	NC-1000 sample draw combustible detector for isobutane, 0 - 1000 ppm / 10,000 ppm	1,895.00
72-0290-01-A	GX-2012, 1 sensor, LEL with alkaline battery pack	845.00
72-0290-01-A-50	CSK,GX-2012,1-sensor,LEL, with alkaline battery pack	1,045.00
72-0290-01-B	GX-2012,1-sensor,LEL, with alkaline & Li-ion battery packs/charger/AC adapter	1,105.00
72-0290-01-C	GX-2012,1-sensor,LEL, with Li-ion battery pack/charger/AC adapter	1,045.00
72-0290-01-D	GX-2012,1-sensor,LEL, with lithium battery pack/charger/12VDC adapter w/vehicle Plug	1,045.00
72-0290-01-E	GX-2012,1-sensor,LEL,with alkaline & Li-ion battery packs/charger/DC adapter w/vehicle plug	1,105.00
72-0290-01-F	GX-2012,1-sensor,LEL, with Li-ion battery pack/charger/AC and DC adapters	1,065.00
72-0290-01-G	GX-2012,1-sensor,LEL, with alkaline & Li-ion battery packs/charger/AC & DC adapters.....	1,125.00

Numerical Index

Part#	Description	Suggested Retail
72-0290-01-H	GX-2012,1-sensor,LEL, with Li-ion battery pack, no charger	995.00
72-0290-02-A	GX-2012, 1 sensor, O2 with alkaline battery pack	845.00
72-0290-02-A-51	CSK,GX-2012,1-sensor,oxygen, with alkaline battery pack/34 liter cal kit	1,385.00
72-0290-02-B	GX-2012,1-sensor, O2, with alkaline & Li-ion battery packs/charger/AC adapter	1,105.00
72-0290-02-C	GX-2012,1-sensor, O2, with Li-ion battery pack/charger/AC adapter	1,045.00
72-0290-02-D	GX-2012,1-sensor, O2, with Li-ion battery pack/charger/12VDC adapter w/vehicle plug	1,045.00
72-0290-02-E	GX-2012,1-sensor,O2,w/alkaline & Li-ion battery packs/charger/DC adapter w/vehicle plug	1,105.00
72-0290-02-F	GX-2012,1-sensor,O2,with Li-ion battery pack/charger/AC and DC adapters	1,065.00
72-0290-02-G	GX-2012,1-sensor,O2,with alkaline & Li-ion battery packs/charger/AC & DC adapters	1,125.00
72-0290-02-H	GX-2012,1-sensor, O2, with Li-ion battery pack, no charger	995.00
72-0290-03-A-01	GX-2012,1-sensor,0-500 ppm H2S w/dilution mode/4:1 dilution fitting,with alkaline batt pk	995.00
72-0290-03-B	GX-2012,1-sensor,H2S,with alkaline & Li-ion battery packs/charger/AC adapter	1,105.00
72-0290-03-C	GX-2012,1-sensor,H2S,with Li-ion battery pack/charger/AC adapter	1,045.00
72-0290-03-C-01	GX-2012,1-sensor,0-500 ppm H2S w/dilution mode,with Li-ion battery pack/charger/AC adapter	1,195.00
72-0290-03-D	GX-2012,1-sensor,H2S,with Li-ion battery pack/charger/12VDC adapter w/vehicle plug	1,045.00
72-0290-03-E	GX-2012,1-sensor,H2S,w/alkaline & Li-ion battery packs/charger/DC adapter w/vehicle plug	1,105.00
72-0290-03-F	GX-2012,1-sensor,H2S,with Li-ion battery pack/charger/AC and DC adapters	1,065.00
72-0290-03-G	GX-2012,1-sensor,H2S,with alkaline & Li-ion battery packs/charger/AC & DC adapters.....	1,125.00
72-0290-03-H	GX-2012,1-sensor,H2S,with Li-ion battery pack, no charger	995.00
72-0290-04-A	GX-2012, 1 sensor, CO with alkaline battery pack.....	845.00
72-0290-04-B	GX-2012,1-sensor,CO,with alkaline & Li-ion battery packs/charger/AC adapter	1,105.00
72-0290-04-C	GX-2012,1-sensor,CO,with Li-ion battery pack/charger/AC adapter	1,045.00
72-0290-04-D	GX-2012,1-sensor,CO,with Li-ion battery pack/charger/12VDC adapter w/vehicle plug	1,045.00
72-0290-04-E	GX-2012,1-sensor,CO,w/alkaline & Li-ion battery packs/charger/DC adapter w/vehicle plug	1,105.00
72-0290-04-F	GX-2012,1-sensor,CO,w/Li-ion battery pack/charger/AC and DC adapters.....	1,065.00
72-0290-04-G	GX-2012,1-sensor,CO,with alkaline & Li-ion battery packs/charger/AC & DC adapters	1,125.00
72-0290-04-H	GX-2012,1-sensor,CO,with Li-ion battery pack, no charger	995.00
72-0290-08-A	GX-2012, 2 sensor, LEL / O2 with alkaline battery pack	895.00
72-0290-08-B	GX-2012,2-sensor,LEL/O2,with alkaline & Li-ion battery packs/charger/AC adapter	1,155.00
72-0290-08-C	GX-2012, 2-sensor, LEL/O2, with Li-ion battery pack/charger/AC adapter	1,095.00
72-0290-08-C-SI	GX-2012,2-sensor, LEL/O2,with Li-ion battery pack/charger/AC adapter,w/silicone resistant LEL sensor	1,095.00
72-0290-08-D	GX-2012, 2-sensor, LEL/O2, with Li-ion battery pack/charger/12VDC adapter/vehicle plug	1,095.00
72-0290-08-E	GX-2012, 2-sensor,LEL/O2,w/ alkaline & Li-ion battery packs/charger/DC adptr w/vehicle plug	1,155.00
72-0290-08-F	GX-2012, 2-sensor, LEL/O2, with Li-ion battery pack/charger/AC and DC adapters	1,115.00
72-0290-08-G	GX-2012, 2-sensor, LEL/O2, with alkaline & Li-ion battery packs/charger/AC & DC adapters.....	1,175.00
72-0290-08-H	GX-2012, 2-sensor, LEL/O2, with Li-ion battery pack, no charger	1,045.00
72-0290-09-A	GX-2012, 2 sensor, LEL / H2S with alkaline battery pack	895.00
72-0290-09-B	GX-2012, 2-sensor, LEL/H2S, with alkaline & Li-ion battery packs/charger/AC adapter	1,155.00
72-0290-09-C	GX-2012, 2-sensor, LEL/H2S, with Li-ion battery pack/charger/AC adapter	1,095.00
72-0290-09-D	GX-2012, 2-sensor,LEL/H2S, with Li-ion battery pack/charger/12VDC adapter/vehicle plug	1,095.00
72-0290-09-E	GX-2012, 2-sensor,LEL/H2S,w/alkaline & Li-ion battery packs/chgr/DC adapter w/vehicle plug	1,155.00
72-0290-09-F	GX-2012, 2-sensor, LEL/H2S, with Li-ion battery pack/charger/AC and DC adapters	1,115.00
72-0290-09-G	GX-2012, 2-sensor, LEL/H2S, with alkaline & Li-ion battery packs/charger/AC & DC adapters	1,175.00
72-0290-09-H	GX-2012, 2-sensor, LEL/H2S, with Li-ion battery pack, no charger	1,045.00
72-0290-10-A	GX-2012, 2 sensor, LEL / CO with alkaline battery pack	895.00
72-0290-10-B	GX-2012, 2-sensor, LEL/CO, with alkaline & Li-ion battery packs/charger/AC adapter	1,155.00
72-0290-10-C	GX-2012, 2-sensor, LEL/CO, with Li-ion battery pack/charger/AC adapter	1,095.00
72-0290-10-D	GX-2012, 2-sensor, LEL/CO, with Li-ion battery pack/charger/12VDC adapter/vehicle plug	1,095.00
72-0290-10-E	GX-2012, 2-sensor,LEL/CO,w/alkaline & Li-ion battery packs/charger/DC adapter w/vehicl plug	1,155.00
72-0290-10-F	GX-2012, 2-sensor, LEL/CO, with Li-ion battery pack/charger/AC and DC adapters	1,115.00
72-0290-10-G	GX-2012, 2-sensor, LEL/CO, with alkaline & Li-ion battery packs/charger/AC & DC adapters.....	1,175.00
72-0290-10-H	GX-2012, 2-sensor, LEL/CO, with Li-ion battery pack, no charger	1,045.00
72-0290-12-A	GX-2012, 2 sensor, O2 / CO with alkaline battery pack.....	895.00
72-0290-12-B	GX-2012, 2-sensor, O2/CO, with alkaline & Li-ion battery packs/charger/AC adapter	1,155.00
72-0290-12-C	GX-2012, 2-sensor, O2/CO, with Li-ion battery pack/charger/AC adapter	1,095.00
72-0290-12-D	GX-2012, 2-sensor, O2/CO, with Li-ion battery pack/charger/12VDC adapter/vehicle plug	1,095.00
72-0290-12-E	GX-2012, 2-sensor, O2/CO, with alkaline & Li-ion battery packs/chgr/DC adapter w/veh plug	1,155.00
72-0290-12-F	GX-2012, 2-sensor, O2/CO, with Li-ion battery pack/charger/AC and DC adapters	1,115.00
72-0290-12-G	GX-2012, 2-sensor, O2/CO, with alkaline & Li-ion battery packs/charger/AC & DC adapters	1,175.00
72-0290-12-H	GX-2012, 2-sensor, O2/CO, with Li-ion battery pack, no charger	1,045.00
72-0290-14-A	GX-2012, 2-sensor, O2/H2S, with alkaline battery pack	895.00

Numerical Index

Part#	Description	Suggested Retail
72-0290-14-A-01	GX-2012, 2-sensor, O2/H2S, with H2S dilution mode,with alkaline battery pack	1,045.00
72-0290-14-B	GX-2012, 2-sensor, O2/H2S, with alkaline & Li-ion battery packs/charger/AC adapter	1,155.00
72-0290-14-C	GX-2012, 2-sensor, O2/H2S, with Li-ion battery pack/charger/AC adapter	1,095.00
72-0290-14-D	GX-2012, 2-sensor, O2/H2S, with Li-ion battery pack/charger/12VDC adapter/vehicle plug.....	1,095.00
72-0290-14-E	GX-2012, 2-sensor, O2/H2S, with alkaline & Li-ion battery packs/chgr/DC adapter w/veh plug	1,155.00
72-0290-14-F	GX-2012, 2-sensor, O2/H2S, with Li-ion battery pack/charger/AC and DC adapters	1,115.00
72-0290-14-G	GX-2012, 2-sensor, O2/H2S, with alkaline & Li-ion battery packs/charger/AC & DC adapters	1,175.00
72-0290-14-H	GX-2012, 2-sensor, O2/H2S, with Li-ion battery pack, no charger	1,045.00
72-0290-16-A	GX-2012, 3 sensor, LEL / O2 / H2S with alkaline battery pack	945.00
72-0290-16-B	GX-2012, 3-sensor, LEL/O2/H2S, with alkaline & Li-ion battery packs/charger/AC adapter	1,205.00
72-0290-16-C	GX-2012, 3-sensor, LEL/O2/H2S, with Li-ion battery pack/charger/AC adapter	1,145.00
72-0290-16-D	GX-2012, 3-sensor, LEL/O2/H2S, with Li-ion battery pack/charger/12VDC adapter/vehicle plug	1,145.00
72-0290-16-E	GX-2012, 3-sensor,LEL/O2/H2S,w/alkaline & Li-ion battery packs/chagr/DC adptry w/veh plug	1,205.00
72-0290-16-F	GX-2012, 3-sensor, LEL/O2/H2S, with Li-ion battery pack/charger/AC and DC adapters	1,165.00
72-0290-16-G	GX-2012, 3-sensor, LEL/O2/H2S, with alkaline & Li-ion battery packs/charger/AC & DC adaptrs	1,225.00
72-0290-16-H	GX-2012, 3-sensor, LEL/O2/H2S, with Li-ion battery pack, no charger	1,095.00
72-0290-17-A	GX-2012, 3 sensor, LEL / O2 / CO with alkaline battery pack	945.00
72-0290-17-B	GX-2012, 3-sensor, LEL/O2/CO, with alkaline & Li-ion battery packs/charger/AC adapter	1,205.00
72-0290-17-C	GX-2012, 3 sensor, LEL / O2 / CO with Li-Ion battery pack and 115 VAC charger	1,145.00
72-0290-17-C-51	GX-2012,3-sensor,LEL/Oxy/CO,with Li-ion batt pack/charger/AC adapter,34 liter cal kit	1,645.00
72-0290-17-D	GX-2012, 3-sensor, LEL/O2/CO, with Li-ion battery pack/charger/12VDC adapter/vehicle plug	1,145.00
72-0290-17-E	GX-2012, 3-sensor, LEL/O2/CO, with alkaline & Li-ion battery packs/chgr/DC adptry w/veh plug	1,205.00
72-0290-17-F	GX-2012, 3-sensor, LEL/O2/CO, with Li-ion battery pack/charger/AC and DC adapters	1,165.00
72-0290-17-G	GX-2012, 3-sensor, LEL/O2/CO, with alkaline & Li-ion battery packs/charger/AC & DC adapters	1,225.00
72-0290-17-H	GX-2012, 3-sensor, LEL/O2/CO, with Li-ion battery pack,no charger	1,095.00
72-0290-18-A	GX-2012, 3 sensor, LEL / % volume CH4 / O2 with alkaline battery pack.....	995.00
72-0290-18-B	GX-2012, 3-sensor,LEL/% volume CH4/O2,w/alkaline & Li-ion battery packs/charger/AC adapter	1,255.00
72-0290-18-C	GX-2012, 3-sensor,LEL/% volume CH4/O2, with Li-ion battery pack/charger/AC adapter	1,195.00
72-0290-18-D	GX-2012, 3-sensor,LEL/% volume CH4/O2,w/Li-ion battery pack/charger/12VDC adptry/vehicle plug ...	1,195.00
72-0290-18-E	GX-2012, 3-sensor,LEL/% vol CH4/O2,w/alkaline & Li-ion battery packs/chgr/DC adapt/veh plug	1,255.00
72-0290-18-F	GX-2012, 3-sensor, LEL/% volume CH4/O2, with Li-ion battery pack/charger/AC and DC adapters	1,215.00
72-0290-18-G	GX-2012, 3-sensor,LEL/% volume CH4/O2,w/alkaline & Li-ion batt packs/chgr/AC & DC adapters	1,275.00
72-0290-18-H	GX-2012, 3-sensor, LEL/% volume CH4/O2, with Li-ion battery pack, no charger	1,145.00
72-0290-22-A	GX-2012, 4 sensor, LEL / O2 / H2S / CO with alkaline battery pack	995.00
72-0290-22-A-20	GX-2012,4-sensor,LEL/Oxy/CO/H2S,w/alkaline battery pack,w/20 foot hose	1,000.00
72-0290-22-A-50	GX-2012 bundle, 4 sensors, LEL / O2 / H2S / CO unit with alkaline battery pack, and padded case	1,195.00
72-0290-22-A-51	GX-2012 bundle, 4 sensors, LEL / O2 / H2S / CO unit with alkaline battery pack, 34AL cyl H2S/CO/O2/CH4, demand flow regulator, tubing and padded case	1,600.00
72-0290-22-B	GX-2012, 4 sensors, LEL / O2 / H2S / CO unit with Li-Ion battery pack and alkaline battery pack	1,255.00
72-0290-22-B-20	GX-2012,4-sensor,LEL/Oxy/CO/H2S,w/alk & Li-ion batt packs/charger/AC adapter/20 ft hose	1,265.00
72-0290-22-B-50	CSK,GX-2012,4-sensor,LEL/Oxy/CO/H2S,w/Alkaline & Li-ion battery packs/charger/AC adapter	1,455.00
72-0290-22-B-51	GX-2012 bundle, 4 sensors, LEL / O2 / H2S / CO unit with Li-Ion battery pack and alkaline battery pack, 34AL cyl H2S/CO/O2/CH4, demand flow regulator, tubing and padded case	1,925.00
72-0290-22-C	GX-2012, 4 sensors, LEL / O2 / H2S / CO unit with Li-Ion battery pack and 115 VAC charger	1,195.00
72-0290-22-C-50	GX-2012 bundle, 4 sensors, LEL / O2 / H2S / CO unit with Li-Ion battery pack and 115 VAC charger, and padded case	1,395.00
72-0290-22-C-51	GX-2012 bundle, 4 sensors, LEL / O2 / H2S / CO unit with Li-Ion battery pack and 115 VAC charger, 34AL cyl H2S/CO/O2/CH4, demand flow regulator, tubing and padded case	1,800.00
72-0290-22-C-65	CSK,GX-2012,4-sensor,LEL/Oxy/CO/H2S,w/extra Li-ion batt pack/charger/AC adapter/20 ft hose	1,615.00
72-0290-22-CPPL	GX-2012,4-sensor,LEL/Oxy/CO/H2S,w/extra Li-ion batt pack/charger/AC adapter/20 ft hose,PPL setup	1,400.00
72-0290-22-D	GX-2012, 4 sensors, LEL / O2 / H2S / CO unit with Li-ion battery pack with 12 VDC charger	1,195.00
72-0290-22-E	GX-2012,4-sensor,LEL/Oxy/CO/H2S,w/alkaline & Li-ion battery packs/chgr/DC adptry w/veh plug	1,255.00
72-0290-22-F	GX-2012 with Li-ion battery pack, 115 VAC charger, 12 VDC cord with vehicle plug	1,215.00
72-0290-22-F-50	CSK,GX-2012,4-sensor,LEL/Oxy/CO/H2S,with Li-ion battery pack/charger/AC and DC adapters	1,425.00
72-0290-22-F-51	CSK,GX-2012,4-sensor,LEL/Oxy/CO/H2S,w/Li-ion pack/charger/AC and DC adapters/34 liter cal kit ...	1,820.00
72-0290-22-F-64	GX-2012 with Li-ion battery pack, 115 VAC charger, 12 VDC cord with vehicle plug, screwdriver, and padded carrying case	1,425.00
72-0290-22-G	GX-2012,4-sensor,LEL/Oxy/CO/H2S,w/alkaline & Li-ion battery packs/charger/AC & DC adapters	1,275.00
72-0290-22-G-51	GX-2012,4-sensor,LEL/Oxy/CO/H2S,w/alk & Li-ion batt packs/chgr/AC & DC adapters/34 liter cal kit ...	1,880.00
72-0290-22-H	GX-2012,4-sensor,LEL/Oxy/CO/H2S,with Li-ion battery pack, no charger	1,145.00
72-0290-23-A	GX-2012, 4 sensor, LEL / % volume CH4 / O2 / CO with alkaline battery pack.....	1,045.00

Numerical Index

Part#	Description	Suggested Retail
72-0290-23-A-52	CSK, GX-2012, 4-sensor,LEL/%volume/Oxy/CO,w/alkaline battery pack/34 liter cal kit	2,050.00
72-0290-23-B	GX-2012, 4-sensor,LEL/% volume CH4/O2/CO,w/alkaline & Li-ion battery packs/chgr/AC adapter	1,305.00
72-0290-23-C	GX-2012, 4-sensor, LEL/% volume CH4/O2/CO, with Li-ion battery pack/charger/AC adapter	1,245.00
72-0290-23-D	GX-2012, 4-sensor,LEL/% volume CH4/O2/CO,w/Li-ion battery pack/charger/12VDC/vehicle plug	1,245.00
72-0290-23-E	GX-2012, 4-sensor,LEL/% volume CH4/O2/CO,w/alkaline & Li-ion battery packs/chgr/DC/veh plug ...	1,305.00
72-0290-23-F	GX-2012, 4-sensor, LEL/% volume CH4/O2/CO, with Li-ion battery pack/charger/AC & DC adapter	1,265.00
72-0290-23-G	GX-2012, 4-sensor,LEL/% volume CH4/O2/CO,w/alkaline & Li-ion batt packs/chgr/AC/DC adapters ...	1,325.00
72-0290-23-H	GX-2012, 4-sensor, LEL/% volume CH4/O2/CO, with Li-ion battery pack, no charger	1,195.00
72-0290-24-A	GX-2012, 4 sensor, LEL / % volume CH4 / O2 / H2S with alkaline battery pack	1,045.00
72-0290-24-B	GX-2012, 4-sensor,LEL/% volume CH4/O2/H2S,w/alkaline & Li-ion battery packs/chgr/AC adapter.....	1,305.00
72-0290-24-C	GX-2012, 4-sensor, LEL/% volume CH4/O2/H2S, with Li-ion battery pack/charger/AC adapter	1,245.00
72-0290-24-C-01	SEE APPS,GX-2012,4-sensor,LEL/%vol CH4/O2/H2S,w/H2S dilution mode/Li-ion batt pack/chgr/AC adtr	1,395.00
72-0290-24-D	GX-2012, 4-sensor,LEL/% volume CH4/O2/H2S,w/Li-ion battery pack/charger/12VDC/vehicle plug ...	1,245.00
72-0290-24-E	GX-2012, 4-sensor,LEL/% volume CH4/O2/H2S,w/alkaline & Li-ion battery packs/chgr/DC adapter ...	1,305.00
72-0290-24-F	GX-2012, 4-sensor, LEL/% volume CH4/O2/H2S, with Li-ion battery pack/charger/AC & DC adptrs	1,265.00
72-0290-24-G	GX-2012, 4-sensor,LEL/% volume CH4/O2/H2S,w/alkaline & Li-ion batt packs/chgr/AC & DC adapt ...	1,325.00
72-0290-24-H	GX-2012, 4-sensor, LEL/% volume CH4/O2/H2S, with Li-ion battery pack, no charger	1,195.00
72-0290-27-A	GX-2012, 5 sensor, LEL / % volume CH4 / O2 / H2S / CO with alkaline battery pack	1,095.00
72-0290-27-A-50	CSK,GX-2012,5-sensor,LEL/%volume/Oxy/CO/H2S,w/alkaline battery pack	1,295.00
72-0290-27-A-51	GX-2012 bundle, 5 sensors, % volume CH4 / LEL / O2 / H2S / CO unit with alkaline battery pack, 34AL cyl H2S/CO/O2/CH4, 58L cyl 100% vol CH4, demand flow regulator, tubing and padded case ...	1,870.00
72-0290-27-B	GX-2012, 5 sensor, LEL / % volume CH4 / O2 / H2S / CO with alkaline battery pack, Li-Ion battery pack and 115 VAC charger	1,355.00
72-0290-27-B-51	CSK,GX-2012,5-sensor,LEL/%volume/Oxy/CO/H2S,w/alkaline & Li-ion battery packs/charger/AC adapt	2,130.00
72-0290-27-B-LB	GX-2012,5-sensor,LEL/%volume/Oxy/CO/H2S,w/alk & Li-ion batt packs/chgr/AC adapt,LB version.....	1,440.00
72-0290-27-C	GX-2012, 5 sensors, % volume CH4 / LEL / O2 / H2S / CO unit with Li-Ion battery pack and 115 VAC charger	1,295.00
72-0290-27-C-01	See APPS,GX-2012,5-sensor,LEL/%vol/Oxy/CO/H2S,w/H2S dilution mode,w/Li-ion batt pack/chgr/ AC adptr	1,445.00
72-0290-27-C-50	CSK,GX-2012,5-sensor,LEL/%vol/Oxy/CO/H2S,with Li-ion battery pack/charger/AC adapter	1,495.00
72-0290-27-C-51	GX-2012 bundle, 5 sensors, % volume CH4 / LEL / O2 / H2S / CO unit with Li-Ion battery pack and 115 VAC charger, 34AL cyl H2S/CO/O2/CH4, 58L cyl 100% vol CH4, demand flow regulator, tubing and padded case	2,070.00
72-0290-27-C-KM	GX-2012,5-sensor,LEL/%volume/Oxy/CO/H2S,with Li-ion battery pack/charger/AC adapter	1,295.00
72-0290-27-D	GX-2012,5-sensor,LEL/%volume/Oxy/CO/H2S,with Li-ion battery pack/charger/12VDC/vehc plug.....	1,295.00
72-0290-27-E	GX-2012,5-sensor,LEL/%vol/Oxy/CO/H2S,w/alkaline & Li-ion battery packs/chgr/DC adpt/veh plg.....	1,355.00
72-0290-27-F	GX-2012, 5 sensor, LEL / % volume CH4 / O2 / H2S / CO with Li-ion battery pack and 115 VAC/ 12 VDC charger	1,315.00
72-0290-27-G	GX-2012,5-sensor,LEL/%volume/Oxy/CO/H2S,w/alkaline & Li-ion battery packs/chgr/AC/DC adapts ...	1,375.00
72-0290-27-H	GX-2012,5-sensor,LEL/%volume/Oxy/CO/H2S,with Li-ion battery pack, no charger	1,245.00
72-0290-27C51KM	CSK,GX-2012,5-sensor,LEL/%vol/Oxy/CO/H2S,w/Li-ion pack/charger/34 L cal kit,Kinder Morgan settings	2,045.00
72-0291-51-A	Gas Tracer, 1 sensor, PPM CH4 with alkaline battery pack	1,045.00
72-0291-51-B	Gas Tracer,1-sensor,0-5,000PPM CH4 with alkaline & Li-ion battery packs/charger/AC adapter	1,305.00
72-0291-51-C	Gas Tracer,1-sensor, 0-5,000PPM CH4 with Li-ion battery pack/charger/AC adapter	1,245.00
72-0291-51-D	Gas Tracer,1-sensor,0-5,000PPM CH4 with Li-ion batt pack/chgr/12VDC adapter/vehicle plug.....	1,245.00
72-0291-51-E	Gas Tracer,1-sensor,0-5,000PPM CH4 w/alkaline & Li-ion batt packs/chgr/DC adptr w/veh plug	1,305.00
72-0291-51-F	Gas Tracer,1-sensor,0-5,000 PPM CH4 with Li-ion battery pack/charger/AC and DC adapters	1,265.00
72-0291-51-G	Gas Tracer,1-sensor,0-5,000 PPM CH4 with alkaline & Li-ion batt packs/chgr/AC & DC adpts	1,325.00
72-0291-51-H	Gas Tracer,1-sensor, 0-5,000 PPM CH4 with Li-ion battery pack, no charger	1,195.00
72-0291-54-A	Gas Tracer, 2 sensor, PPM CH4 / LEL with alkaline battery pack	1,095.00
72-0291-54-B	Gas Tracer,2-sensor, PPM CH4/LEL with alkaline & Li-ion battery packs/charger/AC adapter	1,355.00
72-0291-54-C	Gas Tracer,2-sensor, PPM CH4/LEL with Li-ion battery pack/charger/AC adapter	1,295.00
72-0291-54-D	Gas Tracer,2-sensor,PPM CH4/LEL w/Li-ion battery pack/charger/12VDC adapter w/vehicle plug	1,295.00
72-0291-54-E	Gas Tracer,2-sensor,PPM CH4/LEL w/alkaline & Li-ion battery packs/chgr/DC adaptr w/veh plug	1,355.00
72-0291-54-F	Gas Tracer,2-sensor, PPM CH4/LEL with Li-ion battery pack/charger/AC and DC adapters	1,315.00
72-0291-54-G	Gas Tracer,2-sensor,PPM CH4/LEL w/alkaline & Li-ion battery packs/charger/AC & DC adapters	1,375.00
72-0291-54-H	Gas Tracer,2-sensor, PPM CH4/LEL with Li-ion battery pack, no charger	1,245.00
72-0291-55-A	Gas Tracer, 2 sensor, PPM CH4 / O2 with alkaline battery pack	1,095.00
72-0291-55-B	Gas Tracer,2-sensor, PPM CH4/O2 with alkaline & Li-ion battery packs/charger/AC adapter	1,355.00
72-0291-55-C	Gas Tracer,2-sensor, PPM CH4/O2 with Li-ion battery pack/charger/AC adapter	1,295.00
72-0291-55-D	Gas Tracer,2-sensor, PPM CH4/O2 with Li-ion battery pack/charger/12VDC adapter/vehicle plug	1,295.00

Numerical Index

Part#	Description	Suggested Retail
72-0291-55-E	Gas Tracer,2-sensor,PPM CH4/O2 w/alkaline & Li-ion battery packs/chgr/DC adapter w/veh plug	1,355.00
72-0291-55-F	Gas Tracer,2-sensor, PPM CH4/O2 with Li-ion battery pack/charger/AC and DC adapters	1,315.00
72-0291-55-G	Gas Tracer,2-sensor, PPM CH4/O2 with alkaline & Li-ion battery packs/charger/AC/DC adapters	1,375.00
72-0291-55-H	Gas Tracer,2-sensor, PPM CH4/O2 with Li-ion battery pack, no charger	1,245.00
72-0291-56-A	Gas Tracer, 2 sensor, PPM CH4 / CO with alkaline battery pack	1,095.00
72-0291-56-B	Gas Tracer,2-sensor, PPM CH4/CO with alkaline & Li-ion battery packs/charger/AC adapter	1,355.00
72-0291-56-C	Gas Tracer,2-sensor, PPM CH4/CO with Li-ion battery pack/charger/AC adapter	1,295.00
72-0291-56-D	Gas Tracer,2-sensor, PPM CH4/CO with Li-ion battery pack/charger/12VDC adptr/vehicle plug	1,295.00
72-0291-56-E	Gas Tracer,2-sensor,PPM CH4/CO w/alkaline & Li-ion battery packs/chgr/DC adapter w/veh plug	1,355.00
72-0291-56-F	Gas Tracer,2-sensor, PPM CH4/CO with Li-ion battery pack/charger/AC and DC adapters	1,315.00
72-0291-56-G	Gas Tracer,2-sensor, PPM CH4/CO with alkaline & Li-ion battery packs/charger/AC/DC adapters	1,375.00
72-0291-56-H	Gas Tracer,2-sensor, PPM CH4/CO with Li-ion battery pack, no charger	1,245.00
72-0291-56H-A	Gas Tracer, 2 sensor, PPM CH4 / CO (with H2S response, no charcoal filter) with alkaline battery pack	1,095.00
72-0291-56H-B	Gas Tracer,2-sensor,PPM CH4/CO(H2S) w/alka & Li-ion batt packs/chgr/AC adptr w/o char fltr	1,355.00
72-0291-56H-C	Gas Tracer,2-sensor,PPM CH4/CO(H2S) w/ Li-ion battery pack/chgr/AC adapter w/o char filter	1,295.00
72-0291-56H-D	Gas Tracer,2-sensor,PPM CH4/CO(H2S) w/Li-ion batt pk/chgr/12VDC adptr/veh plug w/o char fltr	1,295.00
72-0291-56H-E	Gas Tracer,2-sens,PPM CH4/CO(H2) w/alka & Li-ion batt packs/chgr/DC adp w/veh plg w/o char	1,355.00
72-0291-56H-F	Gas Tracer,2-sensor,PPM CH4/CO(H2S) w/Li-ion batt pack/chgr/AC and DC adapters w/o char flt	1,315.00
72-0291-56H-G	Gas Tracer,2-sens,PPM CH4/CO(H2S) w/alka & Li-ion bat packs/chgr/AC/DC adapters w/o char fl	1,375.00
72-0291-56H-H	Gas Tracer,2-sensor,PPM CH4/CO(H2S) w/ Li-ion battery pack, no charger w/o char filter	1,245.00
72-0291-59-A	Gas Tracer, 3 sensor, PPM CH4 / LEL / O2 with alkaline battery pack	1,145.00
72-0291-59-B	Gas Tracer,3-sensor, PPM CH4/LEL/O2 with alkaline & Li-ion battery packs/charger/AC adapter	1,405.00
72-0291-59-C	Gas Tracer,3-sensor, PPM CH4/LEL/O2 with Li-ion battery pack/charger/AC adapter	1,345.00
72-0291-59-D	Gas Tracer,3-sensor, PPM CH4/LEL/O2 with Li-ion battery pack/charger/12VDC adptr/veh plug	1,345.00
72-0291-59-E	Gas Tracer,3-sensor,PPM CH4/LEL/O2 w/alkaline & Li-ion battery packs/chg/DC adpt w/veh plug	1,405.00
72-0291-59-F	Gas Tracer,3-sensor, PPM CH4/LEL/O2 with Li-ion battery pack/charger/AC and DC adapters	1,365.00
72-0291-59-G	Gas Tracer,3-sensor,PPM CH4/LEL/O2 w/alkaline & Li-ion battery packs/chgr/AC & DC adapters	1,425.00
72-0291-59-H	Gas Tracer,3-sensor, PPM CH4/LEL/O2 with Li-ion battery pack, no charger	1,295.00
72-0291-60-A	Gas Tracer, 3 sensor, PPM CH4 / LEL / CO with alkaline battery pack	1,145.00
72-0291-60-B	Gas Tracer,3-sensor, PPM CH4/LEL/CO with alkaline & Li-ion battery packs/charger/AC adapter	1,405.00
72-0291-60-C	Gas Tracer,3-sensor, PPM CH4/LEL/CO with Li-ion battery pack/charger/AC adapter	1,345.00
72-0291-60-D	Gas Tracer,3-sensor, PPM CH4/LEL/CO with Li-ion battery pack/charger/12VDC adpt/vehic plug	1,345.00
72-0291-60-E	Gas Tracer,3-sensor,PPM CH4/LEL/CO w/alkaline & Li-ion battery packs/chg/DC adpt w/veh plug	1,405.00
72-0291-60-F	Gas Tracer,3-sensor, PPM CH4/LEL/CO with Li-ion battery pack/charger/AC and DC adapters	1,365.00
72-0291-60-G	Gas Tracer,3-sensor, PPM CH4/LEL/CO with alkaline & Li-ion batt packs/chgr/AC & DC adapters	1,425.00
72-0291-60-H	Gas Tracer,3-sensor, PPM CH4/LEL/CO with Li-ion battery pack, no charger	1,295.00
72-0291-60H-A	Gas Tracer, 3 sensor, PPM CH4 / LEL / CO (with H2S response, no charcoal filter), with alkaline battery pack	1,145.00
72-0291-60H-B	Gas Tracer,3-sensor, PPM CH4/LEL/CO(H2S) w/alka & Li-ion bat packs/chgr/AC adpt w/o char fl	1,405.00
72-0291-60H-C	Gas Tracer,3-sensor,PPM CH4/LEL/CO(H2S) w/Li-ion batt pack/chgr/AC adapter w/o char filter	1,345.00
72-0291-60H-D	Gas Tracer,3-sens,PPM CH4/LEL/CO(H2S) w/Li-ion bat pk/chgr/12VDC adpt/veh plug w/o char flt	1,345.00
72-0291-60H-E	GasTracer,3-sens,PPM CH4/LEL/CO(H2S) w/alka & Li-ion bat pks/chg/DC adpt w/veh plg w/o char	1,405.00
72-0291-60H-F	Gas Tracer,3-sensor,PPM CH4/LEL/CO(H2S) w/Li-ion batt pk/chgr/AC & DC adapters w/o char fil	1,365.00
72-0291-60H-G	Gas Tracer,3-sens,PPM CH4/LEL/CO(H2S) w/alka & Li-ion bat pks/chgr/AC & DC adptrs w/o char	1,425.00
72-0291-60H-H	Gas Tracer,3-sensor,PPM CH4/LEL/CO(H2S) w/Li-ion batt pack, no charger w/o char filter	1,295.00
72-0291-64-A	Gas Tracer, 4 sensor, PPM CH4 / LEL / O2 / CO with alkaline battery pack	1,195.00
72-0291-64-B	Gas Tracer,4-sensor, PPM CH4/LEL/O2/CO with alkaline & Li-ion battery packs/chgr/AC adaptr	1,455.00
72-0291-64-C	Gas Tracer,4-sensor, PPM CH4/LEL/O2/CO with Li-ion battery pack/charger/AC adapter	1,395.00
72-0291-64-D	Gas Tracer,4-sensor, PPM CH4/LEL/O2/CO with Li-ion batt pack/charger/12VDC adapter/veh plug	1,395.00
72-0291-64-E	Gas Tracer,4-sensor, PPM CH4/LEL/O2/CO with alkaline & Li-ion battery packs/chg/DC adp w/ve	1,455.00
72-0291-64-F	Gas Tracer,4-sensor, PPM CH4/LEL/O2/CO with Li-ion battery pack/charger/AC and DC adapters	1,415.00
72-0291-64-G	Gas Tracer,4-sensor, PPM CH4/LEL/O2/CO with alkaline & Li-ion batt packs/chgr/AC & DC adpts	1,475.00
72-0291-64-H	Gas Tracer,4-sensor, PPM CH4/LEL/O2/CO with Li-ion battery pack, no charger	1,345.00
72-0291-64H-A	Gas Tracer, 4 sensor, PPM CH4 / LEL / O2 / CO (with H2S response, no charcoal filter), with alkaline battery pack	1,195.00
72-0291-64H-B	Gas Tracer,4-sens,PPM CH4/LEL/O2/CO(H2S) w/alka & Li-ion bat packs/chgr/AC adaptr w/o char	1,455.00
72-0291-64H-C	GasTracer,4-sensor,PPM CH4/LEL/O2/CO(H2S) w/Li-ion batt pack/chgr/AC adpt w/o char filter	1,395.00
72-0291-64H-D	GasTracer,4-sens,PPM CH4/LEL/O2/CO(H2S) w/Li-ion bat pk/chg/12VDC adt/veh plug w/o char fil	1,395.00
72-0291-64H-E	GasTracer,4-sens,PPM CH4/LEL/O2/CO(H2S) w/alka& Li-ion bat pks/chg/DC adp w/veh w/o char fl	1,455.00
72-0291-64H-F	GasTracer,4-sens,PPM CH4/LEL/O2/CO(H2S) w/Li-ion bat pk/chgr/AC & DC adptrs w/o char fltr	1,415.00
72-0291-64H-G	GasTracer,4-sens,PPM CH4/LEL/O2/CO(H2S) w/alka & Li-ion bat pks/chg/AC & DC adpts w/o char	1,475.00

Numerical Index

Part#	Description	Suggested Retail
72-0291-64H-H	GasTracer,4-sensor,PPM CH4/LEL/O2/CO(H2S) w/Li-ion batt pack, no charger w/o char filter	1,345.00
72-0291-65-A	Gas Tracer, 4 sensor, PPM CH4 / LEL / % volume CH4 / O2 with alkaline battery pack	1,245.00
72-0291-65-B	Gas Tracer,4-sensor, PPM CH4/LEL/% volume CH4/O2 with alkaline & Li-ion batt packs/chgr/AC.....	1,505.00
72-0291-65-C	Gas Tracer,4-sensor, PPM CH4/LEL/% volume CH4/O2 with Li-ion batt pack/charger/AC adapter	1,445.00
72-0291-65-D	Gas Tracer,4-sensor, PPM CH4/LEL/% volume CH4/O2 with Li-ion batt pack/chgr/12VDC adt/veh p ...	1,445.00
72-0291-65-E	Gas Tracer,4-sensor, PPM CH4/LEL/% volume CH4/O2 with alkaline & Li-ion batt packs/chgr/DC	1,505.00
72-0291-65-F	Gas Tracer,4-sensor, PPM CH4/LEL/% volume CH4/O2 with Li-ion batt pack/charger/AC/DC adptrs ...	1,465.00
72-0291-65-G	Gas Tracer,4-sensor, PPM CH4/LEL/% volume CH4/O2 w/ alkaline & Li-ion batt packs/chg/AC/DC	1,525.00
72-0291-65-H	Gas Tracer,4-sensor, PPM CH4/LEL/% volume CH4/O2 with Li-ion batt pack, no charger	1,395.00
72-0291-69-A	Gas Tracer, 5 sensor, PPM CH4 / LEL / % volume CH4 / O2 / CO with alkaline battery pack	1,295.00
72-0291-69-B	Gas Tracer,5-sensor, PPM CH4/LEL/% vol CH4/O2/CO with alkaline & Li-ion bat packs/chgr/AC	1,555.00
72-0291-69-C	Gas Tracer,5-sensor, PPM CH4/LEL/% vol CH4/O2/CO with Li-ion batt pack/charger/AC adapter	1,495.00
72-0291-69-D	Gas Tracer,5-sensor, PPM CH4/LEL/% vol CH4/O2/CO with Li-ion batt pack/chgr/12VDC ad/veh pl	1,495.00
72-0291-69-E	Gas Tracer,5-sensor, PPM CH4/LEL/% vol CH4/O2/CO with alkaline & Li-ion bat packs/chgr/DC	1,555.00
72-0291-69-F	Gas Tracer,5-sensor, PPM CH4/LEL/% vol CH4/O2/CO with Li-ion batt pack/charger/AC/DC adptrs	1,515.00
72-0291-69-G	Gas Tracer,5-sensor, PPM CH4/LEL/% vol CH4/O2/CO with alkaline & Li-ion bat packs/chgr/AC & DC	1,575.00
72-0291-69-H	Gas Tracer,5-sensor, PPM CH4/LEL/% vol CH4/O2/CO with Li-ion batt pack, no charger	1,445.00
72-0291-69H-A	Gas Tracer, 5 sensor, PPM CH4 / LEL / % volume CH4 / O2 / CO (with H2S response, no charcoal filter), with alkaline battery pack	1,295.00
72-0291-69H-B	Gas Tracer,5-sens,PPM CH4/LEL/% vol CH4/O2/CO(H2S) w/alka & Li-ion bat packs/chg/AC w/o chr ...	1,555.00
72-0291-69H-C	GasTracer,5-sensor,PPM CH4/LEL/% vol CH4/O2/CO(H2S) w/Li-ion bat pk/chg/AC adpt w/o chr flt	1,495.00
72-0291-69H-D	GasTracer,5-sens,PPM CH4/LEL/% vol CH4/O2/CO(H2S) w/Li-ion bat pk/chg/12VDC/veh pl w/o char ...	1,495.00
72-0291-69H-E	GasTracer,5-sens,PPM CH4/LEL/%vol CH4/O2/CO(H2S) w/alka & Li-ion bat pks/chg/DC w/o char fl ...	1,555.00
72-0291-69H-F	Gas Tracer,5-sens,PPM CH4/LEL/%vol CH4/O2/CO(H2S) w/Li-ion bat pk/chg/AC/DC adptrs w/o char ...	1,515.00
72-0291-69H-G	GasTracer,5-sens,PPM CH4/LEL/%vol CH4/O2/CO(H2S) w/alka & Li-ion bat pks/chg/AC&DC w/o char	1,575.00
72-0291-69H-H	GasTracer,5-sensor,PPM CH4/LEL/% vol CH4/O2/CO(H2S) w/Li-ion bat pk, no chargr w/o chr flt	1,445.00
72-0292-01-A	GX-2012,1-sensor,LEL, with alkaline battery pack,CSA type	845.00
72-0292-01-B	GX-2012,1-sensor,LEL, with alkaline & Li-ion battery packs/charger/AC adapter,CSA type	1,105.00
72-0292-01-C	GX-2012,1-sensor,LEL, with Li-ion battery pack/charger/AC adapter,CSA type	1,045.00
72-0292-01-D	GX-2012,1-sensor,LEL, with lithium batt pack/charger/12VDC adapter w/vehicle Plug,CSA type	1,045.00
72-0292-01-E	GX-2012,1-sensor,LEL,w/alkaline & Li-ion bat packs/chgr/DC adapter w/vehicle plug,CSA type	1,105.00
72-0292-01-F	GX-2012,1-sensor,LEL, with Li-ion battery pack/charger/AC and DC adapters,CSA type	1,065.00
72-0292-01-G	GX-2012,1-sensor,LEL, with alkaline & Li-ion batt packs/charger/AC & DC adapters,CSA type	1,125.00
72-0292-01-H	GX-2012,1-sensor,LEL, with Li-ion battery pack, no charger,CSA type	995.00
72-0292-02-A	GX-2012,1-sensor, O2, with alkaline battery pack,CSA type.....	845.00
72-0292-02-B	GX-2012,1-sensor, O2, with alkaline & Li-ion battery packs/charger/AC adapter,CSA type	1,105.00
72-0292-02-C	GX-2012,1-sensor, O2, with Li-ion battery pack/charger/AC adapter,CSA type	1,045.00
72-0292-02-D	GX-2012,1-sensor, O2, with Li-ion battery pack/charger/12VDC adapter w/vehicle plug,CSA type	1,045.00
72-0292-02-E	GX-2012,1-sensor,O2,w/alkaline & Li-ion battery packs/charger/DC adapter w/vehicle plug,CSA type	1,105.00
72-0292-02-F	GX-2012,1-sensor,O2,with Li-ion battery pack/charger/AC and DC adapters,CSA type	1,065.00
72-0292-02-G	GX-2012,1-sensor,O2,with alkaline & Li-ion battery packs/charger/AC & DC adapters,CSA type	1,125.00
72-0292-02-H	GX-2012,1-sensor, O2, with Li-ion battery pack, no charger,CSA type.....	995.00
72-0292-03-A	GX-2012,1-sensor,H2S,with alkaline battery pack,CSA type	845.00
72-0292-03-B	GX-2012,1-sensor,H2S,with alkaline & Li-ion battery packs/charger/AC adapter,CSA type	1,105.00
72-0292-03-C	GX-2012,1-sensor,H2S,with Li-ion battery pack/charger/AC adapter,CSA type	1,045.00
72-0292-03-D	GX-2012,1-sensor,H2S,with Li-ion battery pack/charger/12VDC adapter w/vehicle plug,CSA type	1,045.00
72-0292-03-E	GX-2012,1-sensor,H2S,w/alkaline & Li-ion battery packs/charger/DC adapter w/vehicle plug,CSA type	1,105.00
72-0292-03-F	GX-2012,1-sensor,H2S,with Li-ion battery pack/charger/AC and DC adapters,CSA type	1,065.00
72-0292-03-G	GX-2012,1-sensor,H2S,with alkaline & Li-ion battery packs/charger/AC & DC adapters,CSA type.....	1,125.00
72-0292-03-H	GX-2012,1-sensor,H2S,with Li-ion battery pack, no charger,CSA type	995.00
72-0292-04-A	GX-2012,1-sensor,CO,with alkaline battery pack,CSA type	845.00
72-0292-04-B	GX-2012,1-sensor,CO,with alkaline & Li-ion battery packs/charger/AC adapter,CSA type	1,105.00
72-0292-04-C	GX-2012,1-sensor,CO,with Li-ion battery pack/charger/AC adapter,CSA type	1,045.00
72-0292-04-D	GX-2012,1-sensor,CO,with Li-ion battery pack/charger/12VDC adapter w/vehicle plug,CSA type	1,045.00
72-0292-04-E	GX-2012,1-sensor,CO,w/alkaline & Li-ion battery packs/charger/DC adapter w/vehicle plug,CSA type	1,105.00
72-0292-04-F	GX-2012,1-sensor,CO,w/Li-ion battery pack/charger/AC and DC adapters,CSA type	1,065.00
72-0292-04-G	GX-2012,1-sensor,CO,with alkaline & Li-ion battery packs/charger/AC & DC adapters,CSA type	1,125.00
72-0292-04-H	GX-2012,1-sensor,CO,with Li-ion battery pack, no charger,CSA type	995.00
72-0292-08-A	GX-2012,2-sensor,LEL/O2,with alkaline battery pack,CSA type	845.00
72-0292-08-B	GX-2012,2-sensor,LEL/O2,with alkaline & Li-ion battery packs/charger/AC adapter,CSA type	1,155.00
72-0292-08-C	GX-2012, 2-sensor, LEL/O2, with Li-ion battery pack/charger/AC adapter,CSA type	1,095.00

Numerical Index

Part#	Description	Suggested Retail
72-0292-08-D	GX-2012, 2-sensor, LEL/O2, with Li-ion battery pack/charger/12VDC adapter/vehicle plug,CSA type ...	1,095.00
72-0292-08-E	GX-2012, 2-sensor,LEL/O2,w/ alkaline & Li-ion battery packs/charger/DC adptr w/vehicle plug,CSA type	1,155.00
72-0292-08-F	GX-2012, 2-sensor, LEL/O2, with Li-ion battery pack/charger/AC and DC adapters,CSA type	1,115.00
72-0292-08-G	GX-2012, 2-sensor, LEL/O2, with alkaline & Li-ion battery packs/charger/AC & DC adapters,CSA type ...	1,175.00
72-0292-08-H	GX-2012, 2-sensor, LEL/O2, with Li-ion battery pack, no charger,CSA type.....	1,045.00
72-0292-09-A	GX-2012, 2-sensor, LEL/H2S, with alkaline battery pack,CSA type	845.00
72-0292-09-B	GX-2012, 2-sensor, LEL/H2S, with alkaline & Li-ion battery packs/charger/AC adapter,CSA type	1,155.00
72-0292-09-C	GX-2012, 2-sensor, LEL/H2S, with Li-ion battery pack/charger/AC adapter,CSA type	1,095.00
72-0292-09-D	GX-2012, 2-sensor, LEL/H2S, with Li-ion battery pack/charger/12VDC adapter/vehicle plug,CSA type	1,095.00
72-0292-09-E	GX-2012, 2-sensor,LEL/H2S,w/alkaline & Li-ion battery packs/chgr/DC adapter w/vehicle plug,CSA type	1,155.00
72-0292-09-F	GX-2012, 2-sensor, LEL/H2S, with Li-ion battery pack/charger/AC and DC adapters,CSA type	1,115.00
72-0292-09-G	GX-2012, 2-sensor, LEL/H2S, with alkaline & Li-ion battery packs/charger/AC & DC adapters,CSA type	1,175.00
72-0292-09-H	GX-2012, 2-sensor, LEL/H2S, with Li-ion battery pack, no charger,CSA type	1,045.00
72-0292-10-A	GX-2012, 2-sensor, LEL/CO, with alkaline battery pack,CSA type.....	845.00
72-0292-10-B	GX-2012, 2-sensor, LEL/CO, with alkaline & Li-ion battery packs/charger/AC adapter,CSA type	1,155.00
72-0292-10-C	GX-2012, 2-sensor, LEL/CO, with Li-ion battery pack/charger/AC adapter,CSA type	1,095.00
72-0292-10-D	GX-2012, 2-sensor, LEL/CO, with Li-ion battery pack/charger/12VDC adapter/vehicle plug,CSA type ...	1,095.00
72-0292-10-E	GX-2012, 2-sensor,LEL/CO,w/alkaline & Li-ion battery packs/charger/DC adapter w/vehicl plug,CSA type	1,155.00
72-0292-10-F	GX-2012, 2-sensor, LEL/CO, with Li-ion battery pack/charger/AC and DC adapters,CSA type	1,115.00
72-0292-10-G	GX-2012, 2-sensor, LEL/CO, with alkaline & Li-ion battery packs/charger/AC & DC adapters,CSA type ...	1,175.00
72-0292-10-H	GX-2012, 2-sensor, LEL/CO, with Li-ion battery pack, no charger,CSA type.....	1,045.00
72-0292-12-B	GX-2012, 2-sensor, O2/CO, with alkaline & Li-ion battery packs/charger/AC adapter,CSA type.....	1,155.00
72-0292-12-C	GX-2012, 2-sensor, O2/CO, with Li-ion battery pack/charger/AC adapter,CSA type	1,095.00
72-0292-12-D	GX-2012, 2-sensor, O2/CO, with Li-ion battery pack/charger/12VDC adapter/vehicle plug,CSA type ...	1,095.00
72-0292-12-E	GX-2012, 2-sensor, O2/CO, with alkaline & Li-ion battery packs/chgr/DC adapter w/veh plug,CSA type	1,155.00
72-0292-12-F	GX-2012, 2-sensor, O2/CO, with Li-ion battery pack/charger/AC and DC adapters,CSA type	1,115.00
72-0292-12-G	GX-2012, 2-sensor, O2/CO, w/alkaline & Li-ion batt packs/charger/AC & DC adapters,CSA type	1,175.00
72-0292-12-H	GX-2012, 2-sensor, O2/CO, with Li-ion battery pack, no charger,CSA type	1,095.00
72-0292-14-A	GX-2012, 2-sensor, O2/H2S, with alkaline battery pack,CSA type	895.00
72-0292-14-B	GX-2012, 2-sensor, O2/H2S, with alkaline & Li-ion battery packs/charger/AC adapter,CSA type	1,155.00
72-0292-14-C	GX-2012, 2-sensor, O2/H2S, with Li-ion battery pack/charger/AC adapter,CSA type	1,095.00
72-0292-14-D	GX-2012, 2-sensor, O2/H2S, with Li-ion battery pack/charger/12VDC adapter/vehicle plug,CSA type ...	1,095.00
72-0292-14-E	GX-2012, 2-sens, O2/H2S, w/alkaline & Li-ion batt packs/chgr/DC adapter w/veh plug,CSA type	1,155.00
72-0292-14-F	GX-2012, 2-sensor, O2/H2S, with Li-ion battery pack/charger/AC and DC adapters,CSA type	1,115.00
72-0292-14-G	GX-2012, 2-sensor, O2/H2S, w/alkaline & Li-ion batt packs/charger/AC & DC adapters,CSA type	1,175.00
72-0292-14-H	GX-2012, 2-sensor, O2/H2S, with Li-ion battery pack, no charger,CSA type	1,095.00
72-0292-16-A	GX-2012, 3-sensor, LEL/O2/H2S, with alkaline battery pack,CSA type.....	945.00
72-0292-16-B	GX-2012, 3-sensor, LEL/O2/H2S, w/alkaline & Li-ion batt packs/charger/AC adapter,CSA type	1,205.00
72-0292-16-C	GX-2012, 3-sensor, LEL/O2/H2S, with Li-ion battery pack/charger/AC adapter,CSA type	1,145.00
72-0292-16-D	GX-2012, 3-sensor, LEL/O2/H2S, with Li-ion battery pack/charger/12VDC adapter/vehicle plug,CSA type	1,145.00
72-0292-16-E	GX-2012, 3-sensor,LEL/O2/H2S,w/alka & Li-ion batt packs/chargr/DC adpter w/veh plug,CSA type ...	1,205.00
72-0292-16-F	GX-2012, 3-sensor, LEL/O2/H2S, with Li-ion battery pack/charger/AC and DC adapters,CSA type	1,165.00
72-0292-16-G	GX-2012, 3-sensor, LEL/O2/H2S, w/alkaline & Li-ion batt packs/chgr/AC & DC adaptrs,CSA type	1,225.00
72-0292-16-H	GX-2012, 3-sensor, LEL/O2/H2S, with Li-ion battery pack, no charger,CSA type.....	1,095.00
72-0292-17-A	GX-2012, 3-sensor, LEL/O2/CO, with alkaline battery pack,CSA type	945.00
72-0292-17-B	GX-2012, 3-sensor, LEL/O2/CO, with alkaline & Li-ion batt packs/charger/AC adapter,CSA type	1,205.00
72-0292-17-C	GX-2012, 3-sensor, LEL/O2/CO, with Li-ion battery pack/charger/AC adapter,CSA type	1,145.00
72-0292-17-D	GX-2012, 3-sensor, LEL/O2/CO, with Li-ion battery pack/charger/12VDC adapter/vehicle plug,CSA type	1,145.00
72-0292-17-E	GX-2012, 3-sens, LEL/O2/CO, w/alkaline & Li-ion batt packs/chgr/DC adptrw/veh plug,CSA type	1,205.00
72-0292-17-F	GX-2012, 3-sensor, LEL/O2/CO, with Li-ion battery pack/charger/AC and DC adapters,CSA type	1,165.00
72-0292-17-G	GX-2012, 3-sensor, LEL/O2/CO, w/alkaline & Li-ion batt packs/chgr/AC & DC adptrs,CSA type	1,225.00
72-0292-17-H	GX-2012, 3-sensor, LEL/O2/CO, with Li-ion battery pack,no charger,CSA type	1,095.00
72-0292-18-A	GX-2012, 3-sensor, LEL/% volume CH4/O2, with alkaline battery pack,CSA type	995.00
72-0292-18-B	GX-2012, 3-sensor,LEL/% volume CH4/O2,w/alkaline & Li-ion battery packs/charger/AC adapter, CSA type	1,255.00
72-0292-18-C	GX-2012, 3-sensor, LEL/% volume CH4/O2, with Li-ion battery pack/charger/AC adapter,CSA type ...	1,195.00
72-0292-18-D	GX-2012, 3-sensor,LEL/% volume CH4/O2,w/Li-ion battery pack/charger/12VDC adpt/vehicle plug, CSA type	1,195.00
72-0292-18-E	GX-2012, 3-sensor,LEL/% vol CH4/O2,w/alka & Li-ion batt packs/chgr/DC adapt/veh plug,CSA type ...	1,255.00
72-0292-18-F	GX-2012, 3-sensor, LEL/% volume CH4/O2, with Li-ion battery pack/charger/AC and DC adapters, CSA type	1,215.00

Numerical Index

Part#	Description	Suggested Retail
72-0292-18-G	GX-2012, 3-sensor,LEL/% vol CH4/O2,w/alka & Li-ion batt packs/chgr/AC & DC adapters,CSA type	1,275.00
72-0292-18-H	GX-2012, 3-sensor, LEL/% volume CH4/O2, with Li-ion battery pack, no charger,CSA type	1,145.00
72-0292-22-A	GX-2012,4-sensor,LEL/Oxy/CO/H2S,w/alkaline battery pack,CSA type	995.00
72-0292-22-A-50	GX-2012 CSA bundle, 4 sensors, LEL / O2 / H2S / CO unit with alkaline battery pack, and padded case	1,165.00
72-0292-22-A-51	GX-2012 CSA bundle, 4 sensors, LEL / O2 / H2S / CO unitwith alkaline battery pack, 34AL cyl H2S/CO/O2/CH4, demand flow regulator, tubing and padded case	1,570.00
72-0292-22-B	GX-2012,4-sensor,LEL/Oxy/CO/H2S,w/alkaline & Li-ion batt packs/charger/AC adapter,CSA type	1,255.00
72-0292-22-B-51	CSK,GX-2012,4-sensor,LEL/Oxy/CO/H2S,w/alk & Li-ion batt packs/chgr/AC adptr/34 L cal kit,CSA type	1,890.00
72-0292-22-C	GX-2012,4-sensor,LEL/Oxy/CO/H2S,with Li-ion battery pack/charger/AC adapter,CSA type	1,195.00
72-0292-22-C-50	CSK,GX-2012,4-sensor,LEL/Oxy/CO/H2S,with Li-ion battery pack/charger/AC adapter,CSA type	1,365.00
72-0292-22-C-51	GX-2012,4-sensor,LEL/Oxy/CO/H2S,with Li-ion batt pack/charger/AC adapter,34 liter cal kit,CSA type	1,770.00
72-0292-22-D	GX-2012,4-sensor,LEL/Oxy/CO/H2S,with Li-ion battery pack/charger/12VDC adapter/vehicle plug, CSA type	1,195.00
72-0292-22-E	GX-2012,4-sensor,LEL/Oxy/CO/H2S,w/alka & Li-ion batt packs/chgr/DC adptr w/veh plug,CSA type ...	1,255.00
72-0292-22-F	GX-2012,4-sensor,LEL/Oxy/CO/H2S,with Li-ion battery pack/charger/AC and DC adapters,CSA type ...	1,215.00
72-0292-22-F-50	CSK,GX-2012,4-sensor,LEL/Oxy/CO/H2S,with Li-ion battery pack/charger/AC and DC adapters,CSA type	1,385.00
72-0292-22-G	GX-2012,4-sensor,LEL/Oxy/CO/H2S,w/alka & Li-ion batt packs/charger/AC & DC adapters,CSA type ...	1,275.00
72-0292-22-H	GX-2012,4-sensor,LEL/Oxy/CO/H2S,with Li-ion battery pack, no charger,CSA type	1,145.00
72-0292-23-A	GX-2012, 4-sensor, LEL/% volume CH4/O2/CO, with alkaline battery pack,CSA type	1,045.00
72-0292-23-B	GX-2012, 4-sensor,LEL/% volume CH4/O2/CO,w/alkaline & Li-ion battery packs/chgr/AC adapter, CSA type	1,305.00
72-0292-23-C	GX-2012, 4-sensor, LEL/% volume CH4/O2/CO, with Li-ion battery pack/charger/AC adapter,CSA type	1,245.00
72-0292-23-D	GX-2012, 4-sensor,LEL/% volume CH4/O2/CO,w/Li-ion battery pack/charger/12VDC/vehicle plug, CSA type	1,245.00
72-0292-23-E	GX-2012, 4-sensor,LEL/% volume CH4/O2/CO,w/alkaline & Li-ion battery packs/chgr/DC/veh plug, CSA type	1,305.00
72-0292-23-F	GX-2012, 4-sensor, LEL/% volume CH4/O2/CO, with Li-ion battery pack/charger/AC & DC adapter, CSA type	1,265.00
72-0292-23-G	GX-2012, 4-sensor,LEL/% volume CH4/O2/CO,w/alkaline & Li-ion batt packs/chgr/AC/DC adapters, CSA type	1,325.00
72-0292-23-H	GX-2012, 4-sensor, LEL/% volume CH4/O2/CO, with Li-ion battery pack, no charger,CSA type	1,195.00
72-0292-24-A	GX-2012, 4-sensor, LEL/% volume CH4/O2/H2S, with alkaline battery pack,CSA type	1,045.00
72-0292-24-B	GX-2012, 4-sensor,LEL/% volume CH4/O2/H2S,w/alkaline & Li-ion battery packs/chgr/AC adapter, CSA type	1,305.00
72-0292-24-C	GX-2012, 4-sensor, LEL/% volume CH4/O2/H2S, with Li-ion battery pack/charger/AC adapter,CSA type	1,245.00
72-0292-24-D	GX-2012, 4-sensor,LEL/% volume CH4/O2/H2S,w/Li-ion battery pack/charger/12VDC/vehicle plug,CSA type	1,245.00
72-0292-24-E	GX-2012, 4-sensor,LEL/% volume CH4/O2/H2S,w/alkaline & Li-ion battery packs/chgr/DC adapter, CSA type	1,305.00
72-0292-24-F	GX-2012, 4-sensor, LEL/% volume CH4/O2/H2S, with Li-ion battery pack/charger/AC & DC adptrs, CSA type	1,265.00
72-0292-24-G	GX-2012, 4-sensor,LEL/% volume CH4/O2/H2S,w/alkaline & Li-ion batt packs/chgr/AC & DC adapt, CSA type	1,325.00
72-0292-24-H	GX-2012, 4-sensor, LEL/% volume CH4/O2/H2S, with Li-ion battery pack, no charger,CSA type	1,195.00
72-0292-27-A	GX-2012,5-sensor,LEL/%volume/Oxy/CO/H2S,w/alkaline battery pack,CSA type	1,095.00
72-0292-27-A-51	CSK, GX-2012, 5-sensor,LEL/%volume/Oxy/CO/H2S,w/alkaline battery pack/34 liter cal kit,CSA type ...	1,880.00
72-0292-27-B	GX-2012,5-sensor,LEL/%volume/Oxy/CO/H2S,w/alkaline & Li-ion battery packs/charger/AC adapt, CSA type	1,355.00
72-0292-27-C	GX-2012,5-sensor,LEL/%volume/Oxy/CO/H2S,with Li-ion battery pack/charger/AC adapter,CSA type	1,295.00
72-0292-27-C-50	CSK,GX-2012,5-sensor,LEL/%volume/Oxy/CO/H2S,with Li-ion battery pack/charger/AC adapter, CSA type	1,465.00
72-0292-27-C-51	CSK,GX-2012,5-sensor,LEL/%volume/Oxy/CO/H2S/Vol,w/Li-ion batt pack/charger/34 liter cal kit, CSA type	2,080.00
72-0292-27-D	GX-2012,5-sensor,LEL/%volume/Oxy/CO/H2S,with Li-ion battery pack/charger/12VDC/vehc plug, CSA type	1,295.00
72-0292-27-E	GX-2012,5-sensor,LEL/%vol/Oxy/CO/H2S,w/alkaline & Li-ion battery packs/chgr/DC adpt/veh plg, CSA type	1,355.00
72-0292-27-F	GX-2012,5-sensor,LEL/%volume/Oxy/CO/H2S,with Li-ion battery pack/charger/AC & DC adapters, CSA type	1,315.00
72-0292-27-G	GX-2012,5-sensor,LEL/%volume/Oxy/CO/H2S,w/alkaline & Li-ion battery packs/chgr/AC/DC adapts, CSA type	1,375.00

Numerical Index

Part#	Description	Suggested Retail
72-0292-27-H	GX-2012,5-sensor,LEL/%volume/Oxy/CO/H2S,with Li-ion battery pack, no charger,CSA type	1,245.00
72-0293-51-A	Gas Tracer,1-sensor,0-5,000 PPM CH4 with alkaline battery pack,CSA type	1,045.00
72-0293-51-B	Gas Tracer,1-sensor,0-5000 ppm CH4 w/alkaline & Li-ion batt packs/chgr/AC adapter,CSA type	1,305.00
72-0293-51-C	Gas Tracer,1-sensor,0-5,000 ppm CH4 with Li-ion battery pack/chgr/AC adapter,CSA type.....	1,245.00
72-0293-51-D	Gas Tracer,1-sensor,0-5K ppm CH4,Li-ion batt pack/chgr/12VDC adptr w/vehicle plug,CSA type.....	1,245.00
72-0293-51-E	Gas Tracer,1-sensor,0-5kPPM CH4 w/alka & Li-ion batt packs/chgr/DC adptr w/veh plug,CSA type	1,305.00
72-0293-51-F	Gas Tracer,1-sensor,0-5,000 PPM CH4 with Li-ion battery pack/chgr/AC&DC adapters,CSA type	1,265.00
72-0293-51-G	Gas Tracer,1-sensor,0-5,000PPM CH4 w/alka & Li-ion batt packs/chgr/AC & DC adpts,CSA type	1,325.00
72-0293-51-H	Gas Tracer,1-sensor, 0-5,000 PPM CH4 with Li-ion battery pack, no charger,CSA type	1,195.00
72-0293-54-A	Gas Tracer,2-sensor, PPM CH4/LEL with alkaline battery pack,CSA type	1,095.00
72-0293-54-B	Gas Tracer,2-sensor, PPM CH4/LEL with alkaline & Li-ion battery packs/chgr/AC adptr,CSA type	1,355.00
72-0293-54-C	Gas Tracer,2-sensor, PPM CH4/LEL with Li-ion battery pack/chgr/AC adapter,CSA type	1,295.00
72-0293-54-D	Gas Tracer,2-sensor,PPM CH4/LEL w/Li-ion battery pack/chgr/12VDC adapter w/veh plug,CSA type ...	1,295.00
72-0293-54-E	Gas Tracer,2-sensor,PPM CH4/LEL w/alkaline & Li-ion batt packs/chgr/DC adptr w/veh plug,CSA type	1,355.00
72-0293-54-F	Gas Tracer,2-sensor, PPM CH4/LEL with Li-ion batt pack/chgr/AC and DC adapters,CSA type	1,315.00
72-0293-54-G	Gas Tracer,2-sensor,PPM CH4/LEL w/alkaline & Li-ion batt packs/chgr/AC & DC adapters,CSA type	1,375.00
72-0293-54-H	Gas Tracer,2-sensor, PPM CH4/LEL with Li-ion battery pack, no charger,CSA type	1,245.00
72-0293-55-A	Gas Tracer,2-sensor, PPM CH4/O2 with alkaline battery pack,CSA type	1,095.00
72-0293-55-B	Gas Tracer,2-sensor, PPM CH4/O2 with alkaline & Li-ion batt packs/chgr/AC adapter,CSA type	1,355.00
72-0293-55-C	Gas Tracer,2-sensor, PPM CH4/O2 with Li-ion battery pack/chgr/AC adapter,CSA type	1,295.00
72-0293-55-D	Gas Tracer,2-sensor, PPM CH4/O2 with Li-ion battery pack/chgr/12VDC adptr/veh plug,CSA type	1,295.00
72-0293-55-E	Gas Tracer,2-sensor,PPM CH4/O2 w/alkaline & Li-ion batt packs/chgr/DC adptr w/veh plug,CSA type	1,355.00
72-0293-55-F	Gas Tracer,2-sensor, PPM CH4/O2 with Li-ion battery pack/chgr/AC and DC adapters,CSA type	1,315.00
72-0293-55-G	Gas Tracer,2-sensor, PPM CH4/O2 w/alkaline & Li-ion batt packs/chgr/AC/DC adapters,CSA type	1,375.00
72-0293-55-H	Gas Tracer,2-sensor, PPM CH4/O2 with Li-ion battery pack, no charger,CSA type	1,245.00
72-0293-56-A	Gas Tracer,2-sensor, PPM CH4/CO with alkaline battery pack,CSA type	1,095.00
72-0293-56-B	Gas Tracer,2-sensor, PPM CH4/CO with alkaline & Li-ion batt packs/chgr/AC adapter,CSA type	1,355.00
72-0293-56-C	Gas Tracer,2-sensor, PPM CH4/CO with Li-ion battery pack/chgr/AC adapter,CSA type	1,295.00
72-0293-56-D	Gas Tracer,2-sensor, PPM CH4/CO with Li-ion battery pack/chgr/12VDC adptr/veh plug,CSA type	1,295.00
72-0293-56-E	Gas Tracer,2-sensor,PPM CH4/CO w/alkaline & Li-ion batt packs/chgr/DC adptr w/veh plug,CSA type	1,355.00
72-0293-56-F	Gas Tracer,2-sensor, PPM CH4/CO with Li-ion battery pack/chgr/AC and DC adapters,CSA type.....	1,315.00
72-0293-56-G	Gas Tracer,2-sensor, PPM CH4/CO with alkaline & Li-ion batt packs/chgr/AC/DC adptrs,CSA type	1,375.00
72-0293-56-H	Gas Tracer,2-sensor, PPM CH4/CO with Li-ion battery pack, no charger,CSA type	1,245.00
72-0293-56H-A	Gas Tracer,2-sensor, PPM CH4/CO(H2S) with alkaline battery pack w/o charcoal filter,CSA type	1,095.00
72-0293-56H-B	Gas Tracer,2-sensor,PPM CH4/CO(H2S) w/alka & Li-ion batt packs/chgr/AC adptr w/o char fltr,CSA type	1,355.00
72-0293-56H-C	Gas Tracer,2-sensor,PPM CH4/CO(H2S) w/ Li-ion batt pack/chgr/AC adptr w/o char filter,CSA type	1,295.00
72-0293-56H-D	Gas Tracer,2-sensor,PPM CH4/CO(H2S) w/Li-ion batt pk/chgr/12VDC adptr/veh plug w/o char ftr, CSA type	1,295.00
72-0293-56H-E	Gas Tracer,2-sens,PPM CH4/CO(H2) w/alka & Li-ion batt packs/chgr/DC adp w/veh plg w/o char, CSA type	1,355.00
72-0293-56H-F	Gas Tracer,2-sens,PPM CH4/CO(H2S) w/Li-ion batt pack/chgr/AC a DC adptrs w/o char flt,CSA type ...	1,315.00
72-0293-56H-G	Gas Tracer,2-sens,PPM CH4/CO(H2S) w/alka & Li-ion bat packs/chgr/AC/DC adtrs w/o char fl,CSA type	1,375.00
72-0293-56H-H	Gas Tracer,2-sensor,PPM CH4/CO(H2S) w/ Li-ion batt pack, no charger w/o char filter,CSA type	1,245.00
72-0293-59-A	Gas Tracer,3-sensor, PPM CH4/LEL/O2 with alkaline battery pack,CSA type	1,145.00
72-0293-59-B	Gas Tracer,3-sensor, PPM CH4/LEL/O2 with alkaline & Li-ion bat packs/chgr/AC adptr,CSA type	1,405.00
72-0293-59-C	Gas Tracer,3-sensor, PPM CH4/LEL/O2 with Li-ion battery pack/chgr/AC adapter,CSA type.....	1,345.00
72-0293-59-D	Gas Tracer,3-sensor, PPM CH4/LEL/O2 with Li-ion batt pack/chgr/12VDC adptr/veh plug,CSA type ...	1,345.00
72-0293-59-E	Gas Tracer,3-sens,PPM CH4/LEL/O2 w/alkaline & Li-ion batt packs/chg/DC adpt w/veh plug,CSA type	1,405.00
72-0293-59-F	Gas Tracer,3-sensor, PPM CH4/LEL/O2 with Li-ion batt pack/chgr/AC and DC adapters,CSA type ...	1,365.00
72-0293-59-G	Gas Tracer,3-sens,PPM CH4/LEL/O2 w/alkaline & Li-ion batt packs/chgr/AC & DC adpts,CSA type	1,425.00
72-0293-59-H	Gas Tracer,3-sensor, PPM CH4/LEL/O2 with Li-ion battery pack, no charger,CSA type	1,295.00
72-0293-60-A	Gas Tracer,3-sensor, PPM CH4/LEL/CO with alkaline battery pack,CSA type	1,145.00
72-0293-60-B	Gas Tracer,3-sensor, PPM CH4/LEL/CO with alkaline & Li-ion batt packs/chgr/AC adptr,CSA type.....	1,405.00
72-0293-60-C	Gas Tracer,3-sensor, PPM CH4/LEL/CO with Li-ion battery pack/chgr/AC adapter,CSA type.....	1,345.00
72-0293-60-D	Gas Tracer,3-sensor, PPM CH4/LEL/CO with Li-ion batt pack/chgr/12VDC adpt/veh plug,CSA type	1,345.00
72-0293-60-E	Gas Tracer,3-sens,PPM CH4/LEL/CO w/alkaline & Li-ion bat packs/chg/DC adpt w/veh plug,CSA type	1,405.00
72-0293-60-F	Gas Tracer,3-sensor, PPM CH4/LEL/CO with Li-ion batt pack/chgr/AC and DC adapters,CSA type ...	1,365.00
72-0293-60-G	Gas Tracer,3-sens, PPM CH4/LEL/CO with alkaline & Li-ion batt packs/chgr/AC & DC adptrs,CSA type ...	1,425.00
72-0293-60-H	Gas Tracer,3-sensor, PPM CH4/LEL/CO with Li-ion battery pack, no charger,CSA type	1,295.00
72-0293-60H-A	Gas Tracer,3-sensor, PPM CH4/LEL/CO(H2S) w/alkaline batt pack w/o charcoal filter,CSA type.....	1,145.00
72-0293-60H-C	Gas Tracer,3-sens,PPM CH4/LEL/CO(H2S) w/Li-ion batt pack/chgr/AC adpt w/o char filter,CSA type ...	1,345.00

Numerical Index

Part#	Description	Suggested Retail
72-0293-60H-D	Gas Tracer,3-sens,PPM CH4/LEL/CO(H2S) w/Li-ion bat pk/chgr/12VDC adpt/veh plug w/o char flt, CSA type	1,345.00
72-0293-60H-F	Gas Tracer,3-sens,PPM CH4/LEL/CO(H2S) w/Li-ion batt pk/chgr/AC & DC adptrs w/o char fil,CSA type	1,365.00
72-0293-60H-H	Gas Tracer,3-sensor,PPM CH4/LEL/CO(H2S) w/Li-ion batt pack, no chgr w/o char filter,CSA type	1,295.00
72-0293-64-A	Gas Tracer,4-sensor, PPM CH4/LEL/O2/CO with alkaline battery pack,CSA type	1,195.00
72-0293-64-B	Gas Tracer,4-sens, PPM CH4/LEL/O2/CO with alkaline & Li-ion batt packs/chgr/AC adptr,CSA type	1,455.00
72-0293-64-C	Gas Tracer,4-sensor, PPM CH4/LEL/O2/CO with Li-ion battery pack/charger/AC adapter,CSA type	1,395.00
72-0293-64-D	Gas Tracer,4-sens, PPM CH4/LEL/O2/CO with Li-ion batt pack/chgr/12VDC adpt/veh plug,CSA type ...	1,395.00
72-0293-64-E	Gas Tracer,4-sens, PPM CH4/LEL/O2/CO with alkaline & Li-ion batt packs/chg/DC adp w/ve,CSA type	1,455.00
72-0293-64-F	Gas Tracer,4-sensor, PPM CH4/LEL/O2/CO with Li-ion batt pack/chgr/AC & DC adapters,CSA type	1,415.00
72-0293-64-G	Gas Tracer,4-sens, PPM CH4/LEL/O2/CO with alka & Li-ion batt packs/chgr/AC & DC adpts,CSA type ...	1,475.00
72-0293-64-H	Gas Tracer,4-sensor, PPM CH4/LEL/O2/CO with Li-ion battery pack, no charger,CSA type	1,345.00
72-0293-64H-A	Gas Tracer,4-sensor, PPM CH4/LEL/O2/CO(H2S) w/alkaline batt pack w/o char filter,CSA type	1,195.00
72-0293-64H-B	Gas Tracer,4-sens,PPM CH4/LEL/O2/CO(H2S) w/alka & Li-ion bat packs/chgr/AC adaptr w/o char, CSA type	1,455.00
72-0293-65-A	Gas Tracer,4-sensor, PPM CH4/LEL/% volume CH4/O2 with alkaline battery pack,CSA type	1,245.00
72-0293-65-B	Gas Tracer,4-sens, PPM CH4/LEL/% volume CH4/O2 with alka & Li-ion batt packs/chgr/AC,CSA type ...	1,505.00
72-0293-65-C	Gas Tracer,4-sensor, PPM CH4/LEL/% volume CH4/O2 with Li-ion batt pack/chgr/AC adptr,CSA type ...	1,445.00
72-0293-65-D	Gas Tracer,4-sens, PPM CH4/LEL/% vol CH4/O2 w/Li-ion batt pack/chgr/12VDC adt/veh p,CSA typ	1,445.00
72-0293-65-E	Gas Tracer,4-sens, PPM CH4/LEL/% volume CH4/O2 with alka & Li-ion batt packs/chgr/DC,CSA type ...	1,505.00
72-0293-65-F	Gas Tracer,4-sens, PPM CH4/LEL/% vol CH4/O2 with Li-ion batt pack/chgr/AC/DC adptrs,CSA type ...	1,465.00
72-0293-65-G	Gas Tracer,4-sensor, PPM CH4/LEL/% vol CH4/O2 w/ alka & Li-ion batt packs/chg/AC/DC,CSA type ...	1,525.00
72-0293-65-H	Gas Tracer,4-sensor, PPM CH4/LEL/% volume CH4/O2 with Li-ion batt pack, no charger,CSA type	1,395.00
72-0293-69-A	Gas Tracer,5-sensor, PPM CH4/LEL/% volume CH4/O2/CO with alkaline battery pack,CSA type	1,245.00
72-0293-69-B	Gas Tracer,5-sensor, PPM CH4/LEL/% vol CH4/O2/CO w/alka & Li-ion bat packs/chgr/AC,CSA type	1,555.00
72-0293-69-C	Gas Tracer,5-sensor, PPM CH4/LEL/% vol CH4/O2/CO w/Li-ion batt pack/chgr/AC adptr,CSA type	1,495.00
72-0293-69-D	Gas Tracer,5-sens, PPM CH4/LEL/% vol CH4/O2/CO with Li-ion batt pack/chgr/12VDC ad/veh pl, CSA type	1,495.00
72-0293-69-E	Gas Tracer,5-sens, PPM CH4/LEL/% vol CH4/O2/CO with alka & Li-ion bat packs/chgr/DC,CSA type ...	1,555.00
72-0293-69-F	Gas Tracer,5-sens, PPM CH4/LEL/% vol CH4/O2/CO with Li-ion batt pack/chgr/AC/DC adptrs,CSA type	1,515.00
72-0293-69-G	Gas Tracer,5-sens, PPM CH4/LEL/% vol CH4/O2/CO w/alka & Li-ion bat packs/chgr/AC & DC,CSA type	1,575.00
72-0293-69-H	Gas Tracer,5-sensor, PPM CH4/LEL/% vol CH4/O2/CO with Li-ion batt pack, no charger,CSA type	1,445.00
72-0293-69H-A	Gas Tracer,5-sens, PPM CH4/LEL/% vol CH4/O2/CO(H2S) w/alka batt pack w/o char filter,CSA type	1,295.00
72-0293-69H-B	Gas Tracer,5-sens,PPM CH4/LEL/% vol CH4/O2/CO(H2S) w/alka & Li-ion bat packs/chg/AC w/o chr, CSA type	1,555.00
72-0293-69H-F	Gas Tracer,5-sens,PPM CH4/LEL/%vol CH4/O2/CO(H2S) w/Li-ion bat pk/chg/AC/DC adptrs w/o char, CSA type	1,515.00
72-0311-MSHAC56	GX-2009 3-gas confined space kit,LEL/Oxy/CO,w/AC charger and cal kit,MSHA version	1,110.00
72-0314-MSHA	GX-2009 MSHA, 4 gas, CH4 / O2 / H2S / CO with alligator clip, no charger	650.00
72-0314-MSHA-A	GX-2009 MSHA, 4 gas, CH4 / O2 / H2S / CO with alligator clip, 12 VDC charger and vehicle plug	760.00
72-0314-MSHA-C	GX-2009 MSHA, 4 gas, CH4 / O2 / H2S / CO with alligator clip and 115 / 220 VAC charger	745.00
72-0316-MSHA	GX-2009 MSHA, 4 gas, CH4 / O2 / NO2 / CO with alligator clip, no charger	745.00
72-0316-MSHA-A	GX-2009 MSHA, 4 gas, CH4 / O2 / NO2 / CO with alligator clip, 12 VDC charger and vehicle plug	810.00
72-0316-MSHA-C	GX-2009 MSHA, 4 gas, CH4 / O2 / NO2 / CO with alligator clip and 115 / 220 VAC charger	795.00
72-0318-MSHA-C	GX-2009 MSHA, 3 gas, CH4 / O2 / CO (can add NO2 channel) with alligator clip and 115 / 220 VAC charger	770.00
72-0320RK	GX-8000, 1 sensor, LEL (specify calibration) with alkaline battery pack	1,275.00
72-0320RKC	GX-8000, 1 sensor, LEL (specify calibration) with Li-Ion battery pack and 115/220 VAC charger	1,645.00
72-0321RK	GX-8000, 1 sensors, O2 with alkaline battery pack	1,275.00
72-0321RKC	GX-8000, 1 sensor, Oxygen (O2) with lithium ion battery pack and 115/220 VAC charger	1,645.00
72-0322RKC	GX-8000, 2 sensors, LEL (specify calibration) / Oxygen (O2) with lithium ion battery pack and 115/220 VAC charger	2,395.00
72-0323RKC	GX-8000, 3 sensors, LEL (specify calibration) / Oxygen (O2) / Hydrogen Sulfide (H2S) with lithium ion battery pack and 115/220 VAC charger	3,275.00
72-0324RKC	GX-8000, 3 sensors, LEL (specify calibration) / Oxygen (O2) / Carbon Monoxide (CO) with lithium ion battery pack and 115/220 VAC charger	3,275.00
72-0325RKC	GX-8000, 3 sensors, LEL (specify calibration) / % volume Methane (CH4) / Oxygen (O2) with lithium ion battery pack and 115/220 VAC charger	3,275.00
72-0326RKC	GX-8000, 4 sensors, LEL (specify calibration) / Oxygen (O2) / Hydrogen Sulfide (H2S) / Carbon Monoxide (CO) with lithium ion battery pack and 115/220 VAC charger	3,750.00

Numerical Index

Part#	Description	Suggested Retail
72-0326RKC-01	GX-8000, 4 sensors, LEL (specify calibration) / Oxygen (O2) / Hydrogen Sulfide (H2S) / Carbon Monoxide (CO) with lithium ion battery pack and 115/220 VAC charger, special version for coal / bulk carriers with dilution fitting for inert applications	3,790.00
72-0327RKC	GX-8000, 5 sensors, % Vol (CH4) / LEL / O2 / H2S / CO with Li-Ion battery pack and 115/220 VAC charger	3,995.00
72-0327RKC-MED	GX-8000 5-gas,%Volume(CH4)/LEL/Oxy/H2S/CO,w/lithium ion pack and 115/220 VAC charger, MED version	3,995.00
72-1004	OX-600 oxygen monitor, 0-25%, battery operated (2 AA batteries)	785.00
72-1004-03	OX-600 oxygen monitor, 0-25%, battery operated (2 AA batteries) with 3 meter sensor cable installed ...	925.00
72-1004-03-CSA	OX-600 oxygen monitor, 0-25%, battery operated (2 AA batteries) with 3 meter sensor cable installed, CSA version.....	940.00
72-1004-05	OX-600 oxygen monitor, 0-25%, battery operated (2 AA batteries) with 5 meter sensor cable installed ...	945.00
72-1004-05-CSA	OX-600 oxygen monitor, 0-25%, battery operated (2 AA batteries) with 5 meter sensor cable installed, CSA version.....	960.00
72-1004-10	OX-600 oxygen monitor, 0-25%, battery operated (2 AA batteries) with 10 meter sensor cable installed	985.00
72-1004-10-CSA	OX-600 oxygen monitor, 0-25%, battery operated (2 AA batteries) with 10 meter sensor cable installed, CSA version.....	1,000.00
72-1004-20	OX-600 oxygen monitor, 0-25%, battery operated (2 AA batteries) with 20 meter sensor cable installed	1,085.00
72-1004-20-CSA	OX-600 oxygen monitor, 0-25%, battery operated (2 AA batteries) with 20 meter sensor cable installed, CSA version.....	1,000.00
72-1004-CC	OX-600 oxygen monitor,0-25%,battery operated (2 AA batteries),with calibration cup	830.00
72-1004-CSA	OX-600 oxygen monitor, 0-25%, battery operated (2 AA batteries), CSA version	800.00
72-1005	OX-600 oxygen monitor, 0-25%, 24 VDC operation	785.00
72-1005-03	OX-600 oxygen monitor, 0-25%, 24 VDC operation with 3 meter sensor cable	925.00
72-1005-03-CSA	OX-600 oxygen monitor, 0-25%, 24 VDC operation with 3 meter sensor cable, CSA version	940.00
72-1005-05	OX-600 oxygen monitor, 0-25%, 24 VDC operation with 5 meter sensor cable	945.00
72-1005-05-CSA	OX-600 oxygen monitor, 0-25%, 24 VDC operation with 5 meter sensor cable, CSA version	960.00
72-1005-10	OX-600 oxygen monitor, 0-25%, 24 VDC operation with 10 meter sensor cable	985.00
72-1005-10-CSA	OX-600 oxygen monitor, 0-25%, 24 VDC operation with 10 meter sensor cable, CSA version	1,000.00
72-1005-20	OX-600 oxygen monitor, 0-25%, 24 VDC operation with 20 meter sensor cable	1,085.00
72-1005-20-CSA	OX-600 oxygen monitor, 0-25%, 24 VDC operation with 20 meter sensor cable, CSA version	1,100.00
72-1005-CSA	OX-600 oxygen monitor, 0-25%, 24 VDC operation, CSA version	800.00
72-1006	OX-600 oxygen monitor, 0-25%, 115 VAC operation with power cord	785.00
72-1006-03	OX-600 oxygen monitor, 0-25%, 115 VAC operation with 3 meter sensor cable and power cord	925.00
72-1006-03-CSA	OX-600 oxygen monitor, 0-25%, 115 VAC operation with 3 meter sensor cable, CSA version	940.00
72-1006-05	OX-600 oxygen monitor, 0-25%, 115 VAC operation with 5 meter sensor cable and power cord	945.00
72-1006-05-CSA	OX-600 oxygen monitor, 0-25%, 115 VAC operation with 5 meter sensor cable, CSA version	960.00
72-1006-10	OX-600 oxygen monitor, 0-25%, 115 VAC operation with 10 meter sensor cable and power cord	985.00
72-1006-10-CSA	OX-600 oxygen monitor, 0-25%, 115 VAC operation with 10 meter sensor cable, CSA version	1,000.00
72-1006-20	OX-600 oxygen monitor, 0-25%, 115 VAC operation with 20 meter sensor cable and power cord	1,085.00
72-1006-20-CSA	OX-600 oxygen monitor, 0-25%, 115 VAC operation with 20 meter sensor cable, CSA version	1,100.00
72-1006-CSA	OX-600 oxygen monitor, 0-25%, 115 VAC operation, CSA version	800.00
72-2102-04	Beacon 200,w/24 VDC strobe/horn for com alm 1 operation,LEL & H2S detectors on 25 ft cables	4,000.00
72-2102-05	Beacon 200,w/24VDC strobe/horn & com alm 1 operation,1H2S det(spec cable on order),AC cord.....	3,550.00
72-2102-06	Beacon 200,w/24 VDC strobe/horn for com alm 1 operation,LEL detectors on 100 ft cables	4,000.00
72-2102-07	Beacon 200,w/24 VDC strobe/horn com alm 1 operation,2 H2S det(spec cable on order),AC cord	4,200.00
72-2102-08	Beacon 200, two channel controller, 115/220 VAC, with small red strobe light (uses common alarm 1 relay contact for strobe) (no sensors)	2,650.00
72-2102-08-H201	Beacon 200,w/24 VDC red strobe for common alarm 1 operation,H2 specific channel 1	2,750.00
72-2102-08-H202	Beacon 200,w/24 VDC red strobe for common alarm 1 operation,for 2 H2 specific channels	2,750.00
72-2102-09	Beacon 200,w/24 VDC blue strobe for common alarm 1 operation.....	2,750.00
72-2102-10	Beacon 200,w/24 VDC amber strobe for common alarm 1 operation	2,750.00
72-2102-11	Beacon 200 with 24V Tomar red strobe,common Alarm 1 operation	2,800.00
72-2102-12-08	Beacon 200,12 VDC,w/DC red strobe for common alarm 1 operation.....	2,800.00
72-2102-13	Beacon 200,w/24 VDC strobe/horn,stroke for com alm 1 operation,horn for com alm 2 operation	2,900.00
72-2102-H2-01	Beacon 200, two channel controller, 115/220 VAC, for one H2 specific channel and one standard channel	2,600.00
72-2102-H2-02	Beacon 200, two channel controller, 115/220 VAC, for two H2 specific channels	2,600.00
72-2102-HR-02	Beacon 200 controller,12 VDC,with horn/strobe,H2S detectors with 75 ft and 150 ft cables.....	4,550.00
72-2102-OC23R	Beacon 200 controller,12 VDC,with horn and strobe,Oxygen & CO2(0-5%) sensors	4,200.00
72-2102RK	Beacon 200, two channel controller, 115/220 VAC (no sensors)	2,500.00

Numerical Index

Part#	Description	Suggested Retail
72-2102RK-12	Beacon 200 controller,12 VDC	2,500.00
72-2102RK-HLR	Rig Monitor system, with Beacon 200 two channel controller, Hydrogen Sulfide (H2S) 0-100 ppm sensor, combustible sensor 0-100% LEL, with cal cup / splash guard and 25' cable, horn /strobe, and 50' power cable with battery clamps	4,150.00
72-2102RK-HR	Rig Monitor system, with Beacon 200 two channel controller, Hydrogen Sulfide (H2S) 0-100 ppm sensor with cal cup / splash guard and 25' cable, horn/strobe, and 50' power cable with battery clamps	4,350.00
72-2102RK-LR-01	Beacon 200 controller, 12 VDC,with remote horn/strobe,LEL sensors	3,950.00
72-2104A	Beacon 410A, four channel controller (no sensor)	2,825.00
72-2104A-01	Beacon 410A, four channel controller with battery charger (no sensors or back-up battery)	2,875.00
72-2104A-06	Beacon 410A controller w/ battery charging and strobe/horn	3,150.00
72-2104A-08	Beacon 410A,std basic unit w/amber (alm 1) & red (alm 2) Federal Streamline LP3 strobes	3,500.00
72-2104A-08-01	Beacon 410A w/battery charging,amber(alm1) & red(alm2) Federal Streamline LP3 strobes	3,550.00
72-2104A-09	Beacon 410A with Ingram red strobe w/o battery charging.	3,025.00
72-2104A-10	Beacon 410A with Ingram red strobe with battery charging.	3,100.00
72-2104A-11-02	Beacon 410A w/battery charging,w/amber(alm1) & red(alm2) strobes(Ingram)	3,275.00
72-2104A-12	Beacon 410A controller,standard basic unit for 12 VDC operation	2,725.00
72-2104A-13A	Beacon 410A controller w/large amber strobe,without battery charging	3,225.00
72-2104A-13A-01	Beacon 410A controller w/large amber strobe,with battery charging	3,275.00
72-2104A-13B	Beacon 410A controller w/large blue strobe,without battery charging	3,175.00
72-2104A-13R	Beacon 410A, four channel controller with large red strobe light (no sensor)	3,175.00
72-2104A-14B	Beacon 410A contoller with large blue strobe and battery charging	3,275.00
72-2104A-14R	Beacon 410A, four channel controller with terminals for battery charger, large red strobe light (no sensors or back-up battery).....	3,275.00
72-2104A-HLR-02	Beacon 410A,basic unit,horn/strobe,2 LEL/2 H2S detectors w/out cables (spec. on order),w/AC cord ...	5,350.00
72-2104A-HLR-03	Beacon 410A,basic unit,horn/strobe on top,2 LEL/2 H2S det w/out cables (spec. on order),w/AC cord	5,350.00
72-2104A-HR-03	Beacon 410A controller,basic unit w/12 VDC operation & horn/strobe,4 H2S sensors on 150 ft cables	6,375.00
72-2108RK	Beacon 800, eight channel controller (no sensors)	2,700.00
72-2110-03AMB	Beacon 110 controller w/amber strobe & batt charging	1,280.00
72-2110-03BLU	Beacon 110 controller w/blue strobe & batt charging	1,280.00
72-2110-05-01	Beacon 110,std basic unit w/horn/strobe(blue lens)/H2S detector/cal adptr/splash guard,special alarms	2,115.00
72-2110-05-02	Beacon 110,std unit w/51-0131-BLU horn/strobe/H2S detector/cal adptr/splash guard,special alarms	2,275.00
72-2110-06	Beacon 110 standard basic unit w/horn/strobe and LEL detector on 100 ft cable	2,165.00
72-2110-HR-100	Beacon 110 controller,standard basic unit,12V DC,W/horn/strobe,H2S sensor on 100 ft cable.....	2,275.00
72-2110RK	Beacon 110, single channel controller (no sensor)	1,275.00
72-2110RK-01	Beacon 110, single channel controller with battery charger (no sensor or back-up battery).....	1,325.00
72-2110RK-02	Beacon 110, single channel controller with small red strobe light (no sensor)	1,425.00
72-2110RK-02AMB	Beacon 110 controller w/amber strobe,w/o batt charging	1,400.00
72-2110RK-02BLU	Beacon 110 controller w/blue strobe,w/o batt charging	1,400.00
72-2110RK-03	Beacon 110, single channel controller with battery charger and small red strobe light (no sensor or back-up battery).....	1,500.00
72-2110RK-05	Beacon 110, single channel controller with horn and small red strobe light (no sensor)	1,500.00
72-2110RK-07	Beacon 110, single channel controller with battery charger, horn, and small red strobe light (no sensor)	1,550.00
72-2110RK-HR	Rig Monitor system, with Beacon 110 single channel controller, Hydrogen Sulfide (H2S) 0-100 ppm sensor with cal cup / splash guard and 25' cable, horn/strobe, and 50' power cable with battery clamps	2,215.00
72-2110RK-HR-04	Beacon 110 controller,standard unit,12V DC w/ 25' cable,W/horn/strobe(blue lens),H2S sensor in hub	2,050.00
72-2110RK-LR-01	Rig Monitor system, with Beacon 110 single channel controller, combustible sensor 0-100% LEL, with cal cup / splash guard and 25' cable, horn/strobe, and 50' power cable with battery clamps	2,050.00
72-2120-101	Digester gas monitor, 100% volume CH4	15,000.00
72-2120-102	Digester gas monitor, 25% volume O2	14,700.00
72-2120-103	Digester gas monitor, 1,000 ppm H2S	14,800.00
72-2120-103-3K	Digester, gas monitor, 3000 ppm H2S	14,800.00
72-2120-103-5K	Digester,Gas Analyzer,5000ppm H2S	14,800.00
72-2120-104	Digester gas monitor, 50% volume CO2	15,000.00
72-2120-201	Digester gas monitor, 100% volume CH4 / 25% volume O2	15,200.00
72-2120-202	Digester gas monitor, 100% volume CH4 / 1,000 ppm H2S	15,300.00
72-2120-202-3K	Digester,Gas Analyzer,100%vol CH4/3000ppm H2S.....	15,300.00
72-2120-203	Digester gas monitor, 100% volume CH4 / 50% volume CO2	15,500.00
72-2120-204	Digester gas monitor, 25% volume O2 / 1,000 ppm H2S	15,000.00
72-2120-205	Digester gas monitor, 25% volume O2 / 50% volume CO2	15,200.00
72-2120-301	Digester gas monitor, 100% volume CH4 / 25% volume O2 / 1,000 ppm H2S	15,500.00
72-2120-302	Digester gas monitor, 100% volume CH4 / 25% volume O2 / 50% volume CO2	15,700.00

Numerical Index

Part#	Description	Suggested Retail
72-2120-303	Digester gas monitor, 100% volume CH4 / 50% volume CO2 / 1,000 ppm H2S	15,800.00
72-2120-303-3K	Digester,Gas Analyzer,100%vol CH4/50%vol CO2/3000ppm H2S	15,800.00
72-2120-304	Digester gas monitor, 25% volume O2 / 50% volume CO2 / 1,000 ppm H2S	15,500.00
72-2120-401	Digester gas monitor, 100% volume CH4 / 25% volume O2 / 50% volume CO2 / 1,000 ppm H2S	16,000.00
72-2120-401-05K	Digester gas monitor, 100% volume CH4 / 25% volume O2 / 50% volume CO2 / 500 ppm H2S	16,000.00
72-2120-401-3K	Digester gas monitor, 100% volume CH4 / 25% volume O2 / 50% volume CO2 / 3,000 ppm H2S	16,000.00
72-2120-401-5K	Digester gas monitor, 100% volume CH4 / 25% volume O2 / 50% volume CO2 / 5,000 ppm H2S	16,000.00
72-2120-402	Digester,Gas Analyzer,100%vol CH4/25%vol O2/100%vol CO2/1000ppm H2S	16,000.00
72-2120-402-3K	Digester,Gas Analyzer,100%vol CH4/25%vol O2/100%vol CO2/3000ppm H2S	16,000.00
72-2132	Beacon 3200 controller base unit, sensor & relay module cards sold separately	5,200.00
72-2132-01	Beacon 3200 Controller with SpectAlert strobe and horn	5,500.00
72-2132-02R	Beacon 3200 Controller with Federal Signal Streamline red strobe.....	5,600.00
72-2132-03R	Beacon 3200 Controller with Ingram red strobe	5,450.00
72-5200RK-02	Eagle,Cl2/AsH3,w/internal G-92 filter	3,300.00
72-5601RK	EAGLE for LEL & PPM / O2 / CO / H2S / Cl2 / NH3	4,200.00
72-5602RK	EAGLE for LEL & PPM / O2 / CO / H2S / HCl / NH3	4,200.00
72-5607RK	EAGLE for LEL & PPM / O2 / CO / H2S / HF / NH3 (no probe)	4,200.00
72-5612RK-02	EAGLE for LEL & PPM / O2 / CO / H2S / Cl2 / CO2 (10,000 ppm)	4,250.00
72-5612RK-03	EAGLE for LEL / O2 / H2S / CO / Cl2 / CO2 (0 - 5%)	4,250.00
72-5613RK-0S	EAGLE for LEL & PPM / O2 / CO / H2S / ClO2 / SO2 (with external H2S scrubber)	4,300.00
72-5614RK	EAGLE for LEL & PPM / O2 / CO / H2S / HCl / NO	4,300.00
72-5618RK	EAGLE for LEL & PPM / O2 / CO / HS / HF / Cl2 (no probe)	4,200.00
72-5619RK	EAGLE for LEL & PPM / O2 / CO / H2S / HBr / NH3	4,200.00
72-5620RK-03	EAGLE for LEL / O2 / H2S / CO / HCl / CO2 (0 - 5%)	4,250.00
72-5621RK	EAGLE for LEL & PPM / O2 / CO / H2S / Cl2 (ES-K239B sensor) / SO2 (with external H2S scrubber)	4,300.00
72-5624RK	EAGLE for LEL & PPM / O2 / CO / H2S / O3 / NH3 (no probe)	4,200.00
72-5625RK	Eagle,LEL/Oxy/H2S/CO/SO2/O3,w/ext H2S scrubber,no probe	4,300.00
72-6AAB-A	GX-6000,LEL/Oxy/H2S/CO/VOC(0-50K ppb 10.6eV)/VOC(0-6K ppm 10.6eV),w/alkaline battery pack ...	4,795.00
72-6AAB-B	GX-6000,LEL/Oxy/H2S/CO/VOC(0-50Kppb 10.6)/VOC(0-6Kppm 10.6),w/alk pack/Li-Ion pack/ 100-240 VAC chgr	5,205.00
72-6AAB-C	GX-6000,LEL/O2/H2S/CO/VOC(0-50K ppb 10.6eV)/VOC(0-6K ppm 10.6eV),w/Li-ion batt pack/ 100-240 VAC chgr	5,045.00
72-6AAC-C	GX-6000,LEL/Oxy/H2S/CO/VOC(0-50K ppb 10.6eV)/IR CH4 autoranging,w/Li-ion batt pack/ 100-240 VAC chgr	4,095.00
72-6AAE-A	GX-6000,LEL/Oxy/H2S/CO/VOC(0-50K ppb 10.6eV)/IR CO2(10Kppm),w/alkaline battery pack	3,895.00
72-6AAE-G	GX-6000,LEL/Oxy/H2S/CO/VOC(50K ppb 10.6eV)/IR CO2(10Kppm),alk pk/Li-Ion pack/ 100-240 VAC/12VDC chgr	4,325.00
72-6AAF-C	GX-6000,LEL/Oxy/H2S/CO/VOC(0-50K ppb 10.6 eV)/IR CO2(0-10%),w/Li-ion pack/100-240 VAC charger	4,145.00
72-6AAF-E	GX-6000,LEL/Oxy/H2S/CO/VOC(0-50K ppb 10.6eV)/IR CO2 (0-10%),w/alk batt pk/ Li-Ion batt pk/12 VDC chgr.....	4,305.00
72-6AAK-C	GX-6000,LEL/Oxy/H2S/CO/VOC(0-50K ppb 10.6eV)/NO2,w/Li-ion battery pack/100-240 VAC charger	3,955.00
72-6AAK-CMM	GX-6000,LEL/Oxy/H2S/CO/VOC(0-50K ppb 10.6eV)/NO2,w/Li-ion batt pk/100-240 VAC chgr, GS-MM config	3,955.00
72-6AAL-A	GX-6000,LEL/Oxy/H2S/CO/VOC(0-50K ppb 10.6 eV)/HCN(0-15.0 ppm),w/alkaline battery pack	3,705.00
72-6AAL-C	GX-6000,LEL/Oxy/H2S/CO/VOC(0-50K ppb 10.6eV)/HCN,w/Li-ion battery pack/100-240 VAC charger	3,955.00
72-6AAM-C	GX-6000,LEL/Oxy/H2S/CO/VOC(0-50K ppb 10.6eV)/NH3,w/Li-ion battery pack/100-240 VAC charger	3,955.00
72-6AAP-C	GX-6000,LEL/Oxy/H2S/CO/VOC(0-50K ppb 10.6 eV)/Cl2,w/Li-ion battery pack/100-240 VAC charger ...	4,020.00
72-6AAX-A	GX-6000,LEL/Oxy/H2S/CO/VOC(0-50K ppb 10.6eV),w/alkaline battery pack	3,445.00
72-6AAX-B	GX-6000,LEL/Oxy/H2S/CO/VOC(0-50K ppb 10.6 eV),w/alk pack/Li-Ion pack/100-240 VAC chgr	3,855.00
72-6AAX-C	GX-6000 for LEL / O2 / H2S / CO / VOC's (0 - 50,000 ppb PID) with Li-Ion battery pack and 115 VAC charger	3,695.00
72-6AAX-C-51	GX-6000,LEL/Oxy/H2S/CO/VOC(0-50Kppb10.6eV),w/Li-ion batt/100-240VAC chgr/ Cal kit gear w/cyl/pad case	4,545.00
72-6AAX-E	GX-6000,LEL/Oxy/H2S/CO/VOC(0-50K ppb 10.6eV),w/alk batt pack/Li-Ion batt pack/12 VDC chgr	3,855.00
72-6AAZ-A	GX-6000,LEL/Oxy/H2S/CO/VOC(50k ppb 10.6 eV)/VOC(10.0 ev),w/alkaline battery pack/ 100-240 VAC charger	5,745.00
72-6ABC-A	GX-6000,LEL/Oxy/H2S/CO/VOC(0-6K ppm 10.6 eV)/IR CH4 autoranging,w/alkaline battery pack	3,445.00
72-6ABC-B	GX-6000,LEL/O2/HS/CO/VOC(0-6K ppm 10.6 eV)/IR CH4 autorange,alk pack/Li-Ion pack/ 100-240 VAC chgr	3,855.00
72-6ABC-C	GX-6000,LEL/Oxy/H2S/CO/VOC(0-6K ppm 10.6 eV)/IR CH4 autoranging,w/Li-ion pack/ 100-240 VAC charger	3,695.00

Numerical Index

Part#	Description	Suggested Retail
72-6ABD-B	GX-6000,LEL/O2/HS/CO/VOC(0-6K ppm 10.6 eV)/IR HC autorange,alk pack/Li-Ion pack/ 100-240 VAC chgr	3,855.00
72-6ABD-C	GX-6000,LEL/Oxy/H2S/CO/VOC(0-6K ppm 10.6 eV)/IR HC autoranging,w/Li-ion pack/ 100-240 VAC charger	3,695.00
72-6ABD-G	GX-6000,LEL/O2/HS/CO/VOC(6K ppm 10.6 eV)/IR HC autorange,alk pk/Li-Ion pack/ 100-240 VAC & 12VDC chgr	3,875.00
72-6ABE-A	GX-6000,LEL/Oxy/H2S/CO/VOC(0-6K ppm 10.6 eV)/IR CO2(10Kppm),w/alkaline battery pack.....	3,495.00
72-6ABE-B	GX-6000,LEL/O2/HS/CO/VOC(0-6K ppm 10.6 eV)/IR CO2(0-10K ppm),alk pack/Li-Ion pack/ 100-240 VAC chgr	3,905.00
72-6ABE-C	GX-6000,LEL/Oxy/H2S/CO/VOC(0-6K ppm 10.6 eV)/IR CO2(10Kppm),w/Li-ion pack/ 100-240 VAC charger	3,745.00
72-6ABE-G	GX-6000,LEL/O2/HS/CO/VOC(6K ppm 10.6 eV)/IR CO2(10K ppm),alk pk/Li-Ion pk/ 100-240 VAC & 12 VDC chgr	3,925.00
72-6ABF-A	GX-6000,LEL/Oxy/H2S/CO/VOC(0-6K ppm 10.6 eV)/IR CO2(10%),w/alkaline battery pack	3,495.00
72-6ABF-B	GX-6000,LEL/O2/HS/CO/VOC(0-6K ppm 10.6 eV)/IR CO2(0-10%),alk pack/Li-Ion pack/100-240 VAC chgr	3,905.00
72-6ABF-C	GX-6000,LEL/Oxy/H2S/CO/VOC(0-6K ppm 10.6 eV)/IR CO2(0-10%),w/Li-ion pack/100-240 VAC charger	3,745.00
72-6ABF-E	GX-6000,LEL/Oxy/H2S/CO/VOC(0-6K ppm 10.6 eV)/IR CO2 (0-10%),w/alk batt pk/ Li-Ion batt pk/12 VDC chgr.....	3,925.00
72-6ABI-A	GX-6000,LEL/Oxy/H2S/CO/VOC(0-6K ppm 10.6 eV)/SO2(0-99.90 ppm),w/alkaline battery pack	3,305.00
72-6ABI-B	GX-6000,LEL/O2/HS/CO/VOC(0-6K ppm 10.6 eV)/SO2(0-99.90 ppm),alk pack/Li-Ion pack/ 100-240 VAC chgr	3,715.00
72-6ABI-C	GX-6000 for LEL / O2 / H2S / CO / VOC's (0 - 6,000 ppm PID) / SO2 with Li-Ion battery pack and 115 VAC charger	3,555.00
72-6ABI-C-50	GX-6000,LEL/Oxy/H2S/CO/VOC(0-6K ppm 10.6 eV)/SO2,w/Li-ion batt/AC charger/Small padded case	3,675.00
72-6ABI-H	GX-6000,LEL/Oxy/H2S/CO/VOC(0-6K ppm 10.6 eV)/SO2(0-99.90 ppm),w/ Li-ion battery pack/no charger	3,430.00
72-6ABK-B	GX-6000,LEL/O2/HS/CO/VOC(0-6K ppm 10.6 eV)/NO2(0-20.00 ppm),alk pack/Li-Ion pack/ 100-240 VAC chgr	3,715.00
72-6ABK-C	GX-6000 for LEL / O2 / H2S / CO / VOC's (0 - 6,000 ppm PID) / NO2 with Li-Ion battery pack and 115 VAC charger	3,555.00
72-6ABK-C-50	GX-6000,LEL/Oxy/H2S/CO/VOC(0-6K ppm 10.6eV)/NO2,w/Li-ion battery pack/100-240 VAC charger/small case	3,665.00
72-6ABL-A	GX-6000,LEL/Oxy/H2S/CO/VOC(0-6K ppm 10.6 eV)/HCN,w/alkaline battery pack.....	3,305.00
72-6ABL-B	GX-6000,LEL/Oxy/H2S/CO/VOC(0-6K ppm 10.6 eV)/HCN,w/alk and Li-ion bat pack/ 100-240 VAC charger	3,715.00
72-6ABL-C	GX-6000 for LEL / O2 / H2S / CO / VOC's (0 - 6,000 ppm PID) / HCN with Li-Ion battery pack and 115 VAC charger	3,555.00
72-6ABM-A	GX-6000,LEL/Oxy/H2S/CO/VOC(0-6K ppm 10.6 eV)/NH3(0-400 ppm),w/alkaline battery pack	3,305.00
72-6ABM-B	GX-6000,LEL/O2/HS/CO/VOC(0-6K ppm 10.6 eV)/NH3,with alkaline pack/Li-Ion pack/100-240 VAC chgr	3,715.00
72-6ABM-C	GX-6000,LEL/Oxy/H2S/CO/VOC(6K ppm 10.6 eV)/NH3(400 ppm),w/Li-ion battery pack/ 100-240 VAC charger	3,555.00
72-6ABP-A	GX-6000,LEL/Oxy/H2S/CO/VOC(0-6K ppm 10.6 eV)/Cl2(0-10 ppm),w/alkaline battery pack	3,370.00
72-6ABP-B	GX-6000,LEL/Oxy/H2S/CO/VOC(0-6K ppm 10.6 eV)/Cl2,w/alk and Li-ion bat pack/100-240 VAC charger	3,780.00
72-6ABP-C	GX-6000,LEL/Oxy/H2S/CO/VOC(0-6K ppm 10.6 eV)/Cl2,w/Li-ion battery pack/100-240 VAC charger ...	3,620.00
72-6ABX-A	GX-6000 for LEL / O2 / H2S / CO / VOC's (0 - 6,000 ppm PID) with alkaline battery pack	3,045.00
72-6ABX-B	GX-6000,LEL/Oxy/H2S/CO/VOC(0-6K ppm 10.6 eV),w/alk batt pack/Li-Ion batt pack/ 100-240 VAC charger	3,455.00
72-6ABX-B-50	GX-6000,LEL/Oxy/H2S/CO/VOC(6K ppm 10.6 eV),w/alk batt/Li-Ion batt/AC charger/small padded case	3,575.00
72-6ABX-B-AA	GX-6000,LEL/Oxy/H2S/CO/VOC(0-6Kppm 10.6 eV),w/alk batt pack/Li-Ion batt/100-240 VAC chgr, AA settings	3,455.00
72-6ABX-C	GX-6000 for LEL / O2 / H2S / CO / VOC's (0 - 6,000 ppm PID) with Li-Ion battery pack and 115 VAC charger	3,295.00
72-6ABX-C-05	GX-6000,LEL/Oxy/H2S/CO/VOC(0-6K ppm 10.6 eV),w/Li-ion batt pack/100-240 VAC charger/5 ft hose	3,295.00
72-6ABX-C-50	GX-6000 for LEL / O2 / H2S / CO / VOC's (0 - 6,000 ppm PID) with Li-Ion battery pack, 115 VAC charger, and padded carrying case	3,415.00
72-6ABX-C-51	GX-6000 for LEL / O2 / H2S / CO / VOC's (0 - 6,000 ppm PID) with Li-Ion battery pack, 115 VAC charger, 34AL cylinder isobutylene/CH4/O2/CO/H2S, demand flow regulator, tubing, and padded carrying case	3,970.00
72-6ABX-C-52	GX-6000,LEL/Oxy/H2S/CO/VOC(0-6K ppm 10.6 eV),w/Li-ion batt/AC chgr/cal kit gear/padded case, no cyl	3,740.00
72-6ABX-C-53	GX-6000 for LEL / O2 / H2S / CO / VOC's (0 - 6,000 ppm PID) with Li-Ion battery pack, 115 VAC charger, tubing, and padded carrying case for instrument and cylinders.....	3,460.00

Numerical Index

Part#	Description	Suggested Retail
72-6ABX-D	GX-6000,LEL/Oxy/H2S/CO/VOC(0-6K ppm 10.6eV),w/Li-ion battery pack/12 VDC charger	3,295.00
72-6ABX-E	GX-6000,LEL/Oxy/H2S/CO/VOC(0-6K ppm 10.6eV),w/alk batt pack/Li-Ion batt pack/12 VDC chgr	3,455.00
72-6ABX-F	GX-6000,LEL/Oxy/H2S/CO/VOC(6K ppm 10.6 eV),Li-ion batt pack/100-240 VAC & 12 VDC charger	3,315.00
72-6ABX-G	GX-6000,LEL/Oxy/H2S/CO/VOC(6K ppm 10.6 eV),w/alk & Li-ion batt packs/100-240 VAC & 12 VDC charger	3,475.00
72-6ABX-H	GX-6000,LEL/Oxy/H2S/CO/VOC(0-6K ppm 10.6 eV),w/Li-ion battery pack/no charger	3,170.00
72-6ACD-B	GX-6000,LEL/O2/H2S/CO/IR CH4 autoranging/IR HC autoranging,w/alk/Li-ion batt packs/ 100-240 VAC chgr	2,905.00
72-6ACD-G	GX-6000,LEL/O2/H2S/CO/IR CH4 auto/IR HC auto,w/alk & Li-ion batt packs/100-240 VAC & 12 VDC charger	2,925.00
72-6ACE-A	GX-6000,LEL/Oxy/H2S/CO/IR CH4/CO2(0-10000 ppm),w/alkaline battery pack.....	2,545.00
72-6ACE-C	GX-6000,LEL/Oxy/H2S/CO/IR CH4 autoranging/CO2(0-10000 ppm),w/Li-ion battery pack/ 100-240 VAC charger	2,795.00
72-6ACF-B	GX-6000,LEL/O2/H2S/CO/IR CH4 autoranging/CO2(0-10%vol),w/alk/Li-ion batt packs/ 100-240 VAC chgr	2,995.00
72-6ACI-B	GX-6000,LEL/Oxy/H2S/CO/IR CH4 autoranging/SO2,w/alkaline & Li-ion battery packs/ 100-240 VAC charger	2,765.00
72-6ACX-A	GX-6000,LEL/Oxy/H2S/CO/IR CH4 autoranging,w/alkaline battery pack	2,095.00
72-6ACX-B	GX-6000,LEL/O2/H2S/CO/IR CH4 autoranging,w/alk/Li-ion batt packs/100-240 VAC chgr	2,505.00
72-6ACX-C	GX-6000,LEL/Oxy/H2S/CO/IR CH4 autorange,w/Li-ion battery pack/100-240 VAC charger	2,345.00
72-6ACX-F	GX-6000,LEL/Oxy/H2S/CO/IR CH4 autorange,Li-Ion batt pack,100-240 VAC/12 VDC chgr.....	2,365.00
72-6ACX-G	GX-6000,LEL/Oxy/H2S/CO/IR CH4 autoranging,w/alk & Li-ion batt packs/100-240 VAC & 12 VDC charger	2,525.00
72-6ADE-A	GX-6000,LEL/Oxy/H2S/CO/IR HC/CO2(0-10000 ppm),w/alkaline battery pack	2,545.00
72-6ADE-B	GX-6000,LEL/Oxy/H2S/CO/IR HC autoranging/CO2,w/alkaline & Li-ion battery packs/ 100-240 VAC charger	2,955.00
72-6ADF-C	GX-6000,LEL/Oxy/H2S/CO/IR HC autorange/CO2(10.00 %vo),w/Li-ion batt pack/100-240 VAC chgr ...	2,795.00
72-6ADX-C	GX-6000,LEL/Oxy/H2S/CO/IR HC autorange,w/Li-ion batt pack/100-240 VAC chgr	2,345.00
72-6AEF-C	GX-6000,LEL/Oxy/H2S/CO/CO2(10,000 ppm)/CO2(10%),w/Li-ion battery pack/100-240 VAC chgr	2,845.00
72-6AEI-C	GX-6000,LEL/Oxy/H2S/CO/CO2(10,000 ppm)/SO2(99.90 ppm),w/Li-ion battery pack/100-240 VAC chgr	2,655.00
72-6AEK-A	GX-6000,LEL/Oxy/H2S/CO/CO2(0-10000 ppm)/NO2(0-20.0 ppm),w/alkaline battery pack	2,405.00
72-6AEK-C	GX-6000,LEL/Oxy/H2S/CO/CO2(10,000 ppm)/NO2(20.00 ppm),w/Li-ion battery pack/100-240 VAC chgr	2,655.00
72-6AEL-F	GX-6000,LEL/Oxy/H2S/CO/CO2(10,000 ppm)/HCN(15.0 ppm),Li-Ion batt pack,100-240 VAC/12 VDC chgr	2,675.00
72-6AEM-A	GX-6000,LEL/Oxy/H2S/CO/CO2(0-10000 ppm)/NH3(0-400 ppm),w/alkaline battery pack	2,405.00
72-6AEX-A	GX-6000,LEL/Oxy/H2S/CO/CO2(0-10000 ppm),w/alkaline battery pack.....	2,145.00
72-6AEX-C	GX-6000,LEL/Oxy/H2S/CO/CO2(10,000 ppm),w/Li-ion battery pack/100-240 VAC chgr	2,395.00
72-6AFK-C	GX-6000,LEL/Oxy/H2S/CO/CO2(10.00 %vo)/NO2(20.00 ppm),w/Li-ion battery pack/100-240 VAC chgr	2,655.00
72-6AFL-C	GX-6000,LEL/Oxy/H2S/CO/CO2(10.00 %vo)/HCN(15.0 ppm),w/Li-ion battery pack/100-240 VAC chgr	2,655.00
72-6AFM-C	GX-6000,LEL/Oxy/H2S/CO/CO2(0-10%)/NH3(0-400ppm),w/Li-ion battery pack/100-240 VAC charger	2,655.00
72-6AFX-A	GX-6000,LEL/Oxy/H2S/CO/CO2(0-10%),w/alkaline battery pack.....	2,145.00
72-6AFX-C	GX-6000,LEL/Oxy/H2S/CO/CO2(0-10%),w/Li-ion battery pack/100-240 VAC charger	2,395.00
72-6AFX-D	GX-6000,LEL/Oxy/H2S/CO/CO2(0-10%),w/Li-Ion batt pack/12 VDC chgr	2,395.00
72-6AIK-B	GX-6000,LEL/Oxy/H2S/CO/SO2/NO2,w/alk batt pack/Li-Ion batt pack/100-240 VAC charger	2,625.00
72-6AIK-C	GX-6000,LEL/Oxy/H2S/CO/SO2(0-99.90 ppm)/NO2(0-20.00 ppm),w/Li-ion battery pack/ 100-240 VAC chgr	2,465.00
72-6AIM-A	GX-6000,LEL/Oxy/H2S/CO/SO2(0-99.90ppm)/NH3(0-400 ppm),w/alkaline battery pack	2,215.00
72-6AIM-C	GX-6000,LEL/Oxy/H2S/CO/SO2(0-99.90 ppm)/NH3(0-400 ppm),w/Li-ion battery pack/ 100-240 VAC chgr	2,465.00
72-6AIX-A	GX-6000,LEL/Oxy/H2S/CO/SO2 (0-99.90 ppm),w/alkaline battery pack	1,955.00
72-6AIX-B	GX-6000,LEL/Oxy/H2S/CO/SO2(0-99.90 ppm),w/alk batt pack/Li-Ion batt pack/100-240 VAC charger...	2,365.00
72-6AIX-C	GX-6000,LEL/Oxy/H2S/CO/SO2(0-99.90 ppm),w/Li-ion battery pack/100-240 VAC charger	2,205.00
72-6AIX-C-51	GX-6000,LEL/Oxy/H2S/CO/SO2,w/Li-ion batt/AC chgr/Cal kit gear w/cyl/padded case	2,850.00
72-6AIX-D	GX-6000,LEL/Oxy/H2S/CO/SO2(0-99.90 ppm),w/Li-Ion batt pack/12 VDC chgr	2,205.00
72-6AKX-A	GX-6000,LEL/Oxy/H2S/CO/NO2,w/alkaline battery pack	1,955.00
72-6AKX-C	GX-6000,LEL/Oxy/H2S/CO/NO2 0-20.00 ppm),w/Li-ion battery pack/100-240 VAC charger	2,205.00
72-6ALM-A	GX-6000,LEL/Oxy/H2S/CO/HCN/NH3,w/alkaline battery pack	2,215.00
72-6ALM-C	GX-6000,LEL/Oxy/H2S/CO/HCN(15.0 ppm)/NH3(400 ppm),w/Li-ion battery pack/100-240 VAC charger	2,465.00
72-6ALX-A	GX-6000,LEL/Oxy/H2S/CO/HCN,w/alkaline battery pack.....	1,955.00
72-6ALX-B	GX-6000 for LEL / O2 / H2S / CO HCN with alkaline battery pack, Li-ion battery pack and 115 VAC charger	2,365.00
72-6ALX-C	GX-6000,LEL/Oxy/H2S/CO/HCN(0-15.0 ppm),w/Li-ion battery pack/100-240 VAC charger	2,205.00

Numerical Index

Part#	Description	Suggested Retail
72-6ALX-D	GX-6000,LEL/Oxy/H2S/CO/HCN(0-15.0 ppm),w/Li-Ion batt pack/12 VDC chgr	2,205.00
72-6ALX-E	GX-6000,LEL/Oxy/H2S/CO/HCN(0-15.0 ppm),w/alk batt pack/Li-Ion batt pack/12 VDC chgr	2,365.00
72-6ALX-F	GX-6000,LEL/Oxy/H2S/CO/HCN(15.0 ppm),Li-Ion batt pack,100-240 VAC/12 VDC chgr	2,225.00
72-6ALX-G	GX-6000,LEL/Oxy/H2S/CO/HCN(0-15.0 ppm),w/alk & Li-Ion batt packs/100-240 VAC & 12 VDC charger	2,385.00
72-6AMC-A	GX-6000,LEL/Oxy/H2S/CO/NH3(400 ppm)/IR CH4 autoranging,w/alkaline battery pack	2,355.00
72-6AME-A	GX-6000,LEL/Oxy/H2S/CO/NH3(0-400 ppm)/CO2(0-10000 ppm),w/alkaline battery pack	2,405.00
72-6AME-C	GX-6000,LEL/Oxy/H2S/CO/NH3(400 ppm)/CO2(10,000 ppm),w/Li-ion battery pack/100-240 VAC chgr	2,655.00
72-6AMF-C	GX-6000,LEL/Oxy/H2S/CO/NH3 (0-400 ppm)/CO2(0-10%),w/Li-ion battery pack/100-240 VAC charger	2,655.00
72-6AMI-A	GX-6000,LEL/Oxy/H2S/CO/NH3 (0-400 ppm)/SO2(0-99.90ppm),w/alkaline battery pack	2,215.00
72-6AMK-C	GX-6000,LEL/Oxy/H2S/CO/NH3(400 ppm)/NO2(20 ppm),w/Li-ion battery pack/100-240 VAC chgr	2,465.00
72-6AML-A	GX-6000,LEL/Oxy/H2S/CO/NH3/HCN,w/alkaline battery pack	2,215.00
72-6AML-C	GX-6000,LEL/Oxy/H2S/CO/NH3(400 ppm)/HCN(15.0 ppm),w/Li-ion battery pack/100-240 VAC charger	2,465.00
72-6AML-G	GX-6000,LEL/Oxy/H2S/CO/NH3/HCN,w/alk & Li-ion batt packs/100-240 VAC & 12 VDC charger	2,645.00
72-6AMX-A	GX-6000,LEL/Oxy/H2S/CO/NH3,w/alkaline battery pack	1,955.00
72-6AMX-B	GX-6000,LEL/Oxy/H2S/CO/NH3(0-400 ppm),w/alk batt pack/Li-Ion batt pack/100-240 VAC chgr	2,365.00
72-6AMX-C	GX-6000,LEL/Oxy/H2S/CO/NH3(0-400 ppm),w/Li-ion battery pack/100-240 VAC charger	2,205.00
72-6AMX-G	GX-6000,LEL/Oxy/H2S/CO/NH3(0-400 ppm),w/alk & Li-ion batt packs/100-240 VAC & 12 VDC charger	2,385.00
72-6APE-C	GX-6000,LEL/Oxy/H2S/CO/Cl2(10.0 ppm)CO2(10,000 ppm),w/Li-ion battery pack/100-240 VAC chgr	2,655.00
72-6API-A	GX-6000,LEL/Oxy/H2S/CO/Cl2 (0-10.0 ppm)/SO2(0-100 ppm),w/alkaline battery pack	2,215.00
72-6API-C	GX-6000,LEL/Oxy/H2S/CO/Cl2(0-10.0 ppm)/SO2(0-99.90 ppm),w/Li-ion battery pack/100-240 VAC chgr	2,465.00
72-6API-F	GX-6000,LEL/Oxy/H2S/CO/CL2(10.0 ppm)/SO2(99.90 ppm),Li-Ion batt pack,100-240 VAC/12 VDC chgr	2,485.00
72-6APL-A	GX-6000,LEL/Oxy/H2S/CO/Cl2 (0-10.0 ppm)/HCN(0-15.0 ppm),w/alkaline battery pack	2,215.00
72-6APL-C	GX-6000,LEL/Oxy/H2S/CO/Cl2(0-10.0 ppm)/HCN(0-15 ppm),w/Li-ion battery pack/100-240 VAC chgr	2,465.00
72-6APM-A	GX-6000,LEL/Oxy/H2S/CO/Cl2 (0-10.0 ppm)/NH3(0-400 ppm),w/alkaline battery pack	2,215.00
72-6APM-B	GX-6000,LEL/Oxy/H2S/CO/Cl2/NH3,with alkaline batt pack/Li-Ion batt pack/100-240 VAC chgr	2,625.00
72-6APM-C	GX-6000,LEL/Oxy/H2S/CO/Cl2(0-10.0 ppm)/NH3(0-400 ppm),w/Li-ion battery pack/100-240 VAC chgr	2,465.00
72-6APX-A	GX-6000,LEL/Oxy/H2S/CO/Cl2 (0-10.0 ppm),w/alkaline battery pack	1,995.00
72-6APX-B	GX-6000,LEL/Oxy/H2S/CO/Cl2(0-10.0 ppm),w/alk batt pack/Li-Ion batt pack/100-240 VAC chgr	2,365.00
72-6APX-C	GX-6000,LEL/Oxy/H2S/CO/Cl2(0-10.0 ppm),w/Li-ion battery pack/100-240 VAC charger	2,205.00
72-6APX-F	GX-6000,LEL/Oxy/H2S/CO/CL2(10.0 ppm),Li-Ion batt pack,100-240 VAC/12 VDC chgr	2,225.00
72-6AVX-C	GX-6000,LEL/Oxy/H2S/CO/VOC(100 ppm 10.0 eV),w/Li-ion battery pack/100-240 VAC charger	4,095.00
72-6AXX-A	GX-6000,LEL/Oxy/H2S/CO,w/alkaline battery pack	1,695.00
72-6AXX-A-51	GX-6000,LEL/Oxy/H2S/CO,w/alkaline battery pack,/34L 4-gas/DFR/tubing/case	2,300.00
72-6AXX-B	GX-6000,LEL/Oxy/H2S/CO,w/alkaline battery pack/Li-Ion battery pack/100-240 VAC charger	2,105.00
72-6AXX-C	GX-6000 for LEL / O2 / H2S / CO with Li-Ion battery pack and 115 VAC charger	1,945.00
72-6AXX-C-05	GX-6000,LEL/Oxy/H2S/CO,w/Li-ion battery pack/100-240 VAC charger,w/5 ft hose	1,945.00
72-6AXX-C-05-01	GX-6000,LEL/Oxy/H2S/CO,w/Li-ion battery pack/100-240 VAC charger,w/80-0150RK probe & 5 ft hose	1,945.00
72-6AXX-C-50	GX-6000 for LEL / O2 / H2S / CO with Li-Ion battery pack, 115 VAC charger, and padded carrying case	2,065.00
72-6AXX-C-51	GX-6000 for LEL / O2 / H2S / CO with Li-Ion battery pack, 115 VAC charger, 34AL cylinder CH4/O2/CO/H2S, demand flow regulator, tubing, and padded carrying case	2,550.00
72-6AXX-E	GX-6000,LEL/Oxy/H2S/CO,w/alk batt pack/Li-Ion batt pack/12 VDC chgr	2,105.00
72-6AXX-G	GX-6000,LEL/Oxy/H2S/CO,w/alk & Li-ion batt packs/100-240 VAC & 12 VDC charger	2,125.00
72-6AYB-C	GX-6000,LEL/Oxy/H2S/CO/VOC(11.7 ev)/VOC(6K ppm 10.6 eV),w/Li-ion bat pack/100-240 VAC charger	5,495.00
72-6AYX-B	GX-6000,LEL/Oxy/H2S/CO/VOC(11.7 ev),w/alk/Li-ion bat pack/100-240 VAC charger	4,305.00
72-6AYX-C	GX-6000,LEL/Oxy/CO/H2S/VOC(11.7 ev),w/Li-ion bat pack/100-240 VAC charger	4,145.00
72-6AYX-C-51	GX-6000,LEL/Oxy/H2S/CO/VOC(11.7eV),w/Li-ion batt/100-240VAC chgr/Cal kit gear w/cyl/pad case	4,775.00
72-6AYX-G	GX-6000,LEL/Oxy/H2S/COVOC(11.7 ev),w/alk & Li-ion batt packs/100-240 VAC & 12 VDC charger	4,325.00
72-6AZB-A	GX-6000,LEL/Oxy/H2S/CO/VOC(10.0 ev)/VOC(6K ppm 10.6 eV),w/alkaline battery pack/ 100-240 VAC charger	5,345.00
72-6AZB-B	GX-6000,LEL/Oxy/H2S/CO/VOC(10.0 ev)/VOC(6K ppm 10.6 eV),w/alk/Li-ion bat pack/ 100-240 VAC charger	5,755.00
72-6AZB-C	GX-6000,LEL/Oxy/H2S/CO/VOC(10.0 ev)/VOC(6K ppm 10.6 eV),w/Li-ion bat pack/100-240 VAC charger	5,595.00
72-6AZB-E	GX-6000,LEL/Oxy/H2S/CO/VOC(10.0 ev)/VOC(6K ppm 10.6 eV),w/alk/Li-ion bat pack/12 VDC charger	5,775.00
72-6AZB-G	GX-6000,LEL/Oxy/H2S/CO/VOC(10.0eV)/VOC(6K ppm10.6eV),w/alk & Li-ion batt/100-240 VAC/ 12 VDC chargers	5,775.00
72-6AZC-A	GX-6000,LEL/Oxy/H2S/CO/VOC((0-100ppm/0-50ppm 10.0 eV)/IR CH4 autorange, w/alkaline battery pack	4,395.00
72-6AZC-C	GX-6000,LEL/Oxy/H2S/CO/VOC(10.0 ev)/IR CH4 autorange,w/Li-ion bat pack/100-240 VAC charger	4,645.00
72-6AZC-G	GX-6000,LEL/Oxy/H2S/CO/VOC(10.0 eV)/IR CH4 autorange,w/alk & Li-ion batt/100-240 VAC/ 12 VDC chargers	4,825.00

Numerical Index

Part#	Description	Suggested Retail
72-6AZD-B	GX-6000,LEL/Oxy/H2S/CO/VOC(0-100ppm/0-50ppm 10.0 eV)/IR HC autoranging,w/alk/ Li-ion bat pack/100-240	4,805.00
72-6AZF-A	GX-6000,LEL/Oxy/H2S/CO/VOC((0-100ppm/0-50ppm 10.0 eV)/CO2(0-10%),w/alkaline battery pack ...	4,445.00
72-6AZI-A	GX-6000,LEL/Oxy/H2S/CO/VOC((0-100ppm/0-50ppm 10.0 eV)/SO2(0-99.90 ppm), w/alkaline battery pack	4,255.00
72-6AZI-B	GX-6000,LEL/Oxy/H2S/CO/VOC((0-100ppm/0-50ppm 10.0 eV)/SO2(0-99.90 ppm), w/alk/Li-ion bat pack/100-240	4,665.00
72-6AZI-C	GX-6000,LEL/Oxy/H2S/CO/VOC(10.0 eV)/SO2(0-99.90 ppm),w/Li-ion bat pack/100-240 VAC charger ...	4,505.00
72-6AZL-C	GX-6000,LEL/Oxy/H2S/CO/VOC(10.0 eV)/HCN(0-15.0 ppm),w/Li-ion bat pack/100-240 VAC charger ...	4,505.00
72-6AZM-B	GX-6000,LEL/Oxy/H2S/CO/VOC((0-100ppm/0-50ppm 10.0 eV)/(0-400 ppm),w/alk/ Li-ion bat pack/100-240 VAC	4,665.00
72-6AZP-C	GX-6000,LEL/Oxy/H2S/CO/VOC(10.0 eV)/Cl2(0-10.0 ppm),w/Li-ion bat pack/100-240 VAC charger	4,570.00
72-6AZX-A	GX-6000 for LEL / O2 / H2S / CO / VOC's (0 - 100 ppm /-50 ppm Benzene PID) with tube holder, box of 10 tubes, and alkaline battery pack	3,995.00
72-6AZX-B	GX-6000,LEL/Oxy/H2S/CO/VOC((0-100ppm/0-50ppm 10.0 eV),w/alk/Li-ion bat pack/100-240	4,405.00
72-6AZX-C	GX-6000 for LEL / O2 / H2S / CO / VOC's (0 - 100 ppm /-50 ppm Benzene PID) with tube holder, box of 10 tubes, Li-Ion battery pack and 115 VAC charger	4,245.00
72-6AZX-F	GX-6000,LEL/Oxy/H2S/CO/VOC(10.0 eV)/IR CH4 autorange,w/Li-ion batt pack/100-240 VAC/ 12 VDC chargers	4,265.00
72-6AZY-C	GX-6000,LEL/Oxy/H2S/CO/VOC(10.0 eV)/VOC(11.7 eV),w/Li-ion bat pack/100-240 VAC charger	6,595.00
72-6BBE-A	GX-6000,LEL/O2/CO/VOC(0-6K ppm 10.6 eV)/IR CO2(10,000 ppm),w/alkaline battery pack.....	3,445.00
72-6BBE-C	GX-6000,LEL/O2/CO/VOC(0-6K ppm 10.6 eV)/IR CO2(10,000 ppm),w/Li-Ion pack/100-240 VAC chgr ...	3,695.00
72-6BBF-B	GX-6000,LEL/O2/CO/VOC(0-6K ppm 10.6 eV)/IR CO2(0-10%),alk pack/Li-Ion pack/100-240 VAC chgr ...	3,855.00
72-6BBL-C	GX-6000,LEL/Oxy/CO/VOC(0-6K ppm 10.6 eV)/HCN(0-15.0 ppm),w/Li-ion battery pack/ 100-240 VAC chgr	3,505.00
72-6BBM-C	GX-6000,LEL/Oxy/CO/VOC(6K ppm 10.6 eV)/NH3(400 pp),w/Li-ion battery pack/100-240 VAC charger	3,505.00
72-6BBX-A	GX-6000,LEL/Oxy/CO/VOC(0-6K ppm 10.6 eV),w/alkaline battery pack	2,995.00
72-6BBX-B	GX-6000,LEL/Oxy/CO/VOC(0-6K ppm 10.6 eV),w/alk batt pack/Li-Ion batt pack/100-240 VAC charger	3,405.00
72-6BBX-C	GX-6000,LEL/Oxy/CO/VOC(0-6K ppm 10.6 eV),w/Li-ion battery pack/100-240 VAC charger	3,245.00
72-6BBX-CR	GX-6000,LEL/Oxy/CO/VOC(0-6K ppm 10.6 eV),w/Li-ion battery pack/100-240 VAC charger/red boot ...	3,245.00
72-6BCM-A	GX-6000,LEL/Oxy/CO/IR CH4 autorange/NH3(0-400 ppm),w/alkaline battery pack	2,305.00
72-6BCM-C	GX-6000,LEL/Oxy/CO/IR CH4 autorange/NH3(400 ppm),w/Li-ion battery pack/100-240 VAC chgr	2,555.00
72-6BEK-C	GX-6000,LEL/Oxy/CO/CO2(10,000 ppm)/NO2(20.00 ppm),w/Li-ion battery pack/100-240 VAC chgr ...	2,605.00
72-6BEM-C	GX-6000,LEL/Oxy/CO/CO2(10,000 ppm)/NH3(400 ppm),w/Li-ion battery pack/100-240 VAC chgr	2,605.00
72-6BEX-A	GX-6000,LEL/Oxy/CO/CO2(0-10,000 ppm), w/alkaline battery pack	2,095.00
72-6BFK-C	GX-6000,LEL/Oxy/CO/CO2(0-10%)/NO2(0-20 ppm),w/Li-ion batt pack/100-240 VAC charger	2,605.00
72-6BFX-A	GX-6000,LEL/Oxy/CO/CO2(0-10%),w/alkaline battery pack.....	2,095.00
72-6BFX-C	GX-6000,LEL/Oxy/CO/CO2(0-10%),w/Li-ion batt pack/100-240 VAC charger	2,345.00
72-6BIK-C	GX-6000,LEL/Oxy/CO/SO2(0-99.90 ppm)/NO2(0-20.00 ppm),w/Li-ion battery pack/100-240 VAC chgr	2,415.00
72-6BKX-B	GX-6000,LEL/Oxy/CO/NO2(0-10.0 ppm),w/alk batt pack/Li-Ion batt pack/100-240 VAC chgr	2,315.00
72-6BLX-C	GX-6000,LEL/Oxy/CO/HCN(0-15.0 ppm),w/Li-ion batt pack/100-240 VAC charger	2,155.00
72-6BMC-A	GX-6000,LEL/Oxy/CO/NH3 (0-400 ppm)/IR CH4 autorange,w/alkaline battery pack	2,305.00
72-6BMC-C	GX-6000,LEL/Oxy/CO/NH3(0-400 ppm)/IR CH4 autorange,w/Li-ion battery pack/100-240 VAC chgr ...	2,555.00
72-6BME-B	GX-6000,LEL/Oxy/CO/NH3(0-400 ppm)/CO2(10,000 ppm),w/alk batt pack/Li-Ion batt pack/ 100-240 VAC chgr	2,765.00
72-6BME-C	GX-6000,LEL/Oxy/CO/NH3(400 ppm)/CO2(10,000 ppm),w/Li-ion battery pack/100-240 VAC chgr	2,605.00
72-6BMF-C	GX-6000,LEL/Oxy/CO/NH3 (0-400 ppm)/CO2(0-10%),w/Li-ion battery pack/100-240 VAC charger	2,605.00
72-6BMK-C	GX-6000,LEL/Oxy/CO/NH3(400 ppm)/NO2(20 ppm),w/Li-ion battery pack/100-240 VAC chgr	2,415.00
72-6BMX-A	GX-6000,LEL/Oxy/CO/NH3(0-400 ppm),w/alkaline battery pack.....	1,905.00
72-6BMX-C	GX-6000,LEL/Oxy/CO/NH3(0-400 ppm),w/Li-ion batt pack/100-240 VAC charger	2,155.00
72-6BPI-C	GX-6000,LEL/Oxy/CO/CL2(0-10.0 ppm)SO2(0-99.90 ppm),w/Li-ion batt pack/100-240 VAC charger ...	2,415.00
72-6BPX-A	GX-6000,LEL/Oxy/CO/Cl2(0-10.0 ppm), w/alkaline battery pack.....	1,905.00
72-6BPX-C	GX-6000,LEL/Oxy/CO/CL2(0-10.0 ppm),w/Li-ion batt pack/100-240 VAC charger	2,155.00
72-6BXX-A	GX-6000,LEL/Oxy/CO,w/alkaline battery pack	1,645.00
72-6BXX-C	GX-6000,LEL/Oxy/CO,w/Li-ion batt pack/100-240 VAC charger	1,895.00
72-6BXX-C-05	GX-6000,LEL/Oxy/CO,w/Li-ion batt pack/100-240 VAC charger,with 5 ft hose	2,015.00
72-6BYB-A	GX-6000,LEL/Oxy/CO/VOC(11.7 eV)/VOC(6K ppm 10.6 eV),w/alkaline battery pack/100-240 VAC charger	5,195.00
72-6BYM-C	GX-6000,LEL/Oxy/CO/VOC(11.7 eV)/NH3(0-400 ppm),w/Li-ion bat pack/100-240 VAC charger	4,355.00
72-6BYX-C	GX-6000,LEL/Oxy/CO/VOC(11.7 eV),w/Li-ion bat pack/100-240 VAC charger	4,095.00
72-6BZX-C	GX-6000,LEL/Oxy/CO/VOC(10.0 eV),w/Li-ion bat pack/100-240 VAC charger	4,195.00
72-6CBE-C	GX-6000,LEL/Oxy/H2S/VOC(0-6K ppm 10.6 eV)/IR CO2(10k ppm),w/Li-ion pack/100-240 VAC charger	3,695.00

Numerical Index

Part#	Description	Suggested Retail
72-6CBE-C-50	GX-6000,LEL/Oxy/H2S/VOC(0-6K ppm 10.6 eV)/CO2(10k ppm),w/Li-ion batt/AC charger/ Small padded case	3,785.00
72-6CBF-C	GX-6000,LEL/Oxy/H2S/VOC(0-6K ppm 10.6 eV)/IR CO2(0-10%),w/Li-ion pack/100-240 VAC charger ...	3,695.00
72-6CBI-B	GX-6000,LEL/O2/H2S/VOC(0-6K ppm 10.6 eV)/SO2(0-99.90 ppm),alk pack/Li-Ion pack/ 100-240 VAC chgr	3,480.00
72-6CBP-C	GX-6000,LEL/Oxy/H2S/VOC(0-6K ppm 10.6 eV)/CL2,w/Li-ion battery pack/100-240 VAC charger	3,570.00
72-6CBX-B	GX-6000,LEL/Oxy/H2S/VOC(0-6000 ppm 10.6 eV),w/alk batt pack/Li-Ion batt pack/ 100-240 VAC charger	3,405.00
72-6CBX-C	GX-6000,LEL/Oxy/H2S/VOC(0-6K ppm 10.6 eV),w/Li-ion battery pack/100-240 VAC charger	3,245.00
72-6CCX-C	GX-6000,LEL/Oxy/H2S/IR CH4 autorange,w/Li-ion battery pack/100-240 VAC charger	2,295.00
72-6CDX-C	GX-6000,LEL/Oxy/H2S/IR HC autorange,w/Li-ion battery pack/100-240 VAC charger	2,295.00
72-6CEX-C	GX-6000,LEL/Oxy/H2S/CO2(10,000 ppm),w/Li-ion battery pack/100-240 VAC chgr	2,345.00
72-6CFX-B	GX-6000,LEL/Oxy/H2S/CO2(0-10%),w/alkaline battery pack/Li-Ion battery pack/100-240 VAC charger	2,505.00
72-6CIM-C	GX-6000,LEL/Oxy/H2S/SO2(0-99.90 ppm)/NH3(0-400 ppm),w/Li-ion batt pack/100-240 VAC charger	2,415.00
72-6CME-B	GX-6000,LEL/Oxy/H2S/NH3(400 ppm)/CO2(10,000 ppm),w/alk pack/Li-ion battery pack/ 100-240 VAC chgr	2,765.00
72-6CMI-C	GX-6000,LEL/Oxy/H2S/NH3(0-400 ppm)/SO2(0-99.90 ppm),w/Li-ion batt pack/100-240 VAC charger	2,415.00
72-6CXX-B	GX-6000,LEL/Oxy/H2S,w/alkaline battery pack/Li-Ion battery pack/100-240 VAC charger	2,055.00
72-6CXX-C	GX-6000,LEL/Oxy/H2S,w/Li-Ion battery pack/100-240 VAC charger	1,895.00
72-6DBM-C	GX-6000,Oxy/H2S/VOC(0-6K ppm 10.6 eV)/NH3(0-400 ppm),w/Li-ion battery pack/100-240 VAC chgr	3,455.00
72-6DBX-A	GX-6000,Oxy/H2S/VOC(0-6K ppm 10.6 eV),w/alkaline battery pack	2,945.00
72-6DCX-A-10	GX-6000,Oxy/H2S/IR CH4 autoranging,w/alkaline battery pack,with 10 ft hose	1,995.00
72-6DCX-C	GX-6000,Oxy/H2S/IR CH4 autoranging,w/Li-ion battery pack/100-240 VAC charger	2,245.00
72-6DDX-A	GX-6000,Oxy/H2S/IR HC autoranging,w/alkaline battery pack	1,995.00
72-6DDX-C	GX-6000,Oxy/H2S/IR HC autoranging,w/Li-ion battery pack/100-240 VAC charger	2,245.00
72-6DEX-C	GX-6000,Oxy/H2S/CO2(10,000 ppm),w/Li-ion battery pack/100-240 VAC chgr	2,295.00
72-6EAE-C	GX-6000,Oxy/CO/VOC(0-50K ppb 10.6 eV)/IR CO2(10Kppm),w/Li-ion pack/100-240 VAC charger	4,045.00
72-6EBD-A	GX-6000,Oxy/CO/VOC(0-6K ppm 10.6 eV)/IR HC autoranging,w/alkaline battery pack	3,345.00
72-6EBE-C	GX-6000,Oxy/CO/VOC(0-6K ppm 10.6 eV),IR CO2(10Kppm)/w/Li-ion battery pk/100-240 VAC charger	3,645.00
72-6EBF-A	GX-6000,Oxy/CO/VOC(0-6K ppm 10.6 eV)/IR CO2(10%),w/alkaline battery pack	3,395.00
72-6EBI-C	GX-6000,Oxy/CO/VOC(0-6K ppm 10.6 eV)/SO2,w/Li-ion battery pack/100-240 VAC charger	3,455.00
72-6EBX-A	GX-6000,Oxy/CO/VOC(0-6K ppm 10.6 eV),w/alkaline battery pack.....	2,945.00
72-6EBX-B	GX-6000,Oxy/CO/VOC(0-6K ppm 10.6 eV),w/alk batt pack/Li-Ion batt pack/100-240 VAC charger	3,355.00
72-6EBX-C	GX-6000,Oxy/CO/VOC(0-6K ppm 10.6 eV),w/Li-ion battery pack/100-240 VAC charger	3,195.00
72-6ECX-B	GX-6000,OxyCO/IR CH4 autoranging,w/alk batt pack/Li-Ion batt pack/100-240 VAC charger	2,405.00
72-6ECX-C	GX-6000,Oxy/CO/IR CH4 autorange,w/Li-ion battery pack/100-240 VAC charger	2,245.00
72-6ECX-H	GX-6000,Oxy/CO/IR CH4 autorange,w/Li-ion battery pack	2,120.00
72-6EEM-A	GX-6000,Oxy/CO/CO2(0-10000 ppm)/NH3(0-400 ppm),w/alkaline battery pack	2,305.00
72-6EFX-C	GX-6000,O2/CO/CO2(0-10%),w/Li-ion battery pack/100-240 VAC charger	2,295.00
72-6EIX-B	GX-6000,Oxy/CO/SO2(0-100 ppm),w/alkaline battery pack/Li-Ion battery pack/100-240 VAC charger	2,265.00
72-6EME-A	GX-6000,Oxy/CO/NH3 (0-400 ppm)/CO2(0-10000 ppm),w/alkaline battery pack	2,305.00
72-6EME-C	GX-6000,Oxy/CO/NH3(0-400 ppm)/CO2(10,000 ppm),w/Li-ion battery pack/100-240 VAC chgr	2,555.00
72-6EPF-B	GX-6000,Oxy/CO/Cl2/CO2(0-10%),w/alkaline battery pack/Li-Ion battery pack/100-240 VAC charger...	2,715.00
72-6EXX-B	GX-6000,Oxy/CO,w/alkaline battery pack/Li-Ion battery pack/100-240 VAC charger.....	2,005.00
72-6EXX-C	GX-6000,O2/CO,w/Li-ion battery pack/100-240 VAC charger	1,845.00
72-6FBX-C	GX-6000,LEL/CO/VOC(0-6K ppm 10.6 eV),w/Li-ion battery pack/100-240 VAC charger.....	3,195.00
72-6FCE-C	GX-6000,LEL/CO/IR CH4 autoranging/CO2(0-10000 ppm),w/Li-ion battery pack/100-240 VAC charger	2,695.00
72-6FEK-C	GX-6000,LEL/CO/CO2(10,000 ppm)/NO2(20.00 ppm),w/Li-ion battery pack/100-240 VAC chgr	2,555.00
72-6FFM-A	GX-6000,LEL/CO/CO2(0-10%)/NH3(0-400 ppm),w/alkaline battery pack	2,305.00
72-6FFX-C	GX-6000,LEL/CO/CO2(10%vol),w/Li-ion battery pack/100-240 VAC charger	2,295.00
72-6FIK-A	GX-6000,LEL/CO/SO2(0-100 ppm)/NO2(0-20.0ppm),w/alkaline battery pack	2,115.00
72-6FMF-A	GX-6000,LEL/CO/NH3 (0-400 ppm)/CO2(0-10%),w/alkaline battery pack	2,305.00
72-6FXX-C	GX-6000,LEL/CO,w/Li-ion battery pack/100-240 VAC charger	1,845.00
72-6GXX-B	GX-6000,LEL/H2S,w/alkaline battery pack/Li-Ion battery pack/100-240 VAC charger	2,005.00
72-6HAX-C	GX-6000,LEL/Oxy/VOC(0-50K ppb 10.6 eV),w/Li-ion battery pack/100-240 VAC charger	3,595.00
72-6HBC-B	GX-6000,LEL/Oxy/VOC(0-6K ppm 10.6 eV)/IR CH4,w/alk batt pack/Li-Ion batt pack/ 100-240 VAC charger	3,755.00
72-6HBC-C	GX-6000,LEL/O2/VOC(0-6K ppm 10.6 eV)/IR CH4 autoranging,w/Li-ion battery pack/ 100-240 VAC charger	3,595.00
72-6HBE-G	GX-6000,LEL/O2/VOC(6K ppm 10.6 eV)/IR CO2(10K ppm),alk pk/Li-Ion pk/100-240 VAC & 12 VDC chgr	3,825.00
72-6HBF-C	GX-6000,LEL/Oxy/VOC(0-6K ppm 10.6 eV)/IR CO2(0-10%),w/Li-ion pack/100-240 VAC charger	3,645.00

Numerical Index

Part#	Description	Suggested Retail
72-6HBI-A	GX-6000,LEL/Oxy/VOC(0-6K ppm 10.6 eV)/SO2(0-99.90 ppm),w/alkaline battery pack	3,205.00
72-6HBM-B	GX-6000,LEL/O2/VOC(0-6K ppm 10.6 eV)/NH3,with alkaline pack/Li-Ion pack/100-240 VAC chgr	3,615.00
72-6HBM-C	GX-6000,LEL/O2/VOC(0-6K ppm 10.6 eV)/NH3,w/Li-ion battery pack/100-240 VAC charger	3,455.00
72-6HBX-A	GX-6000,LEL/Oxy/VOC(0-6K ppm 10.6 eV),w/alkaline battery pack	2,945.00
72-6HBX-B	GX-6000,LEL/Oxy/VOC(0-6K ppm 10.6 eV),w/alk batt pack/Li-Ion batt pack/100-240 VAC charger	3,355.00
72-6HBX-C	GX-6000,LEL/O2/VOC(0-6K ppm 10.6eV),w/Li-ion battery pack/100-240 VAC charger	3,195.00
72-6HBX-E	GX-6000,LEL/Oxy/VOC(0-6K ppm 10.6eV),w/alk batt pack/Li-Ion batt pack/12 VDC chgr	3,355.00
72-6HBX-G	GX-6000,LEL/Oxy/VOC(6K ppm 10.6 eV),w/alk & Li-ion batt packs/100-240 VAC & 12 VDC charger	3,375.00
72-6HCX-C	GX-6000,LEL/Oxy/IR CH4 autoranging,w/Li-ion battery pack/100-240 VAC charger	2,245.00
72-6HDX-C	GX-6000,LEL/Oxy/IR HC autoranging,w/Li-ion battery pack/100-240 VAC charger	2,245.00
72-6HEI-C	GX-6000,LEL/O2/CO2(10,000 ppm)/SO2,w/Li-ion battery pack/100-240 VAC charger	2,555.00
72-6HEX-C	GX-6000,LEL/Oxy/CO2(10,000 ppm),w/Li-ion battery pack/100-240 VAC chgr	2,295.00
72-6HFI-C	GX-6000,LEL/O2/CO2(10%)/SO2,w/Li-ion battery pack/100-240 VAC charger	2,555.00
72-6HFX-A	GX-6000,LEL/Oxy/CO2(0-10%),w/alkaline battery pack	2,045.00
72-6HFX-C	GX-6000,LEL/O2/CO2(0-10%),w/Li-ion battery pack/100-240 VAC charger	2,295.00
72-6HIK-C	GX-6000,LEL/Oxy/SO2(0-99.90 ppm)/NO2(0-20.00 ppm),w/Li-ion battery pack/100-240 VAC chgr	2,365.00
72-6HMC-C	GX-6000,LEL/Oxy/NH3(400 ppm)/IR CH4 autoranging,w/Li-ion battery pack/100-240 VAC chgr	2,505.00
72-6HME-C	GX-6000,LEL/Oxy/NH3 (400 PPM)/CO2(10,000 ppm),w/Li-ion battery pack/100-240 VAC chgr	2,555.00
72-6HMI-C	GX-6000,LEL/Oxy/NH3(400 ppm)/SO2(100 ppm),w/Li-ion battery pack/100-240 VAC charger.....	2,365.00
72-6HMX-C	GX-6000,LEL/Oxy/NH3(0-400 ppm),w/Li-ion battery pack/100-240 VAC charger	2,105.00
72-6HPE-C	GX-6000,LEL/Oxy/Cl2(10 ppm)/CO2(10,000 ppm),w/Li-ion battery pack/100-240 VAC chgr.....	2,555.00
72-6HPI-C	GX-6000,LEL/Oxy/CL2(0-10.0 ppm)/SO2(100 ppm),w/Li-ion battery pack/100-240 VAC charger	2,365.00
72-6HXX-A	GX-6000,LEL/Oxy,w/alkaline battery pack	1,595.00
72-6HXX-C	GX-6000,LEL/O2,w/Li-ion battery pack/100-240 VAC charger	1,845.00
72-6IBK-C	GX-6000,CO/VOC(0-6K ppm 10.6 eV)/NO2(0-20.0 ppm),w/Li-ion battery pack/100-240 VAC charger ...	3,405.00
72-6IFK-C	GX-6000,CO/CO2(0-10%)/NO2(0-20 ppm),w/Li-ion batt pack/100-240 VAC charger	2,505.00
72-6IIK-C	GX-6000,CO/SO2(0-99.90 ppm)/NO2(0-20.0 ppm),w/Li-ion battery pack/100-240 VAC chgr	2,315.00
72-6IIX-B	GX-6000,CO/SO2(0-100 ppm),w/alkaline battery pack/Li-Ion battery pack/100-240 VAC charger	2,215.00
72-6IKX-A	GX-6000,CO/NO2,w/alkaline battery pack	1,805.00
72-6IKX-C	GX-6000,CO/NO2(0-20 ppm),w/Li-ion battery pack/100-240 VAC charger	2,055.00
72-6IMX-C	GX-6000,CO/NH3(0-400 ppm),w/Li-ion battery pack/100-240 VAC charger	2,055.00
72-6IXX-C	GX-6000,CO,w/Li-ion battery pack/100-240 VAC charger	1,795.00
72-6JAM-C	GX-6000,H2S/VOC(0-50K ppb 10.6eV)/NH3(0-400 ppm),w/Li-ion battery pack/100-240 VAC charger ...	3,805.00
72-6JAX-B	GX-6000,H2S/VOC(0-50K ppb 10.6 eV),w/alk pack/Li-Ion pack/100-240 VAC chgr.....	3,705.00
72-6JBE-C	GX-6000,H2S/VOC(0-6K ppm 10.6 eV),IR CO2(10Kppm)/w/Li-ion battery pk/100-240 VAC charger	3,605.00
72-6JBX-B	GX-6000,H2S/VOC(0-6K ppm 10.6eV),alk pack/Li-Ion pack/100-240 VAC chgr	3,305.00
72-6JBX-C	GX-6000,H2S/VOC(0-6K ppm 10.6eV),w/Li-ion battery pack/100-240 VAC charger	3,145.00
72-6JCF-A	GX-6000,H2S/IR CH4/CO2(0-10% vol),w/alkaline battery pack	2,395.00
72-6JFX-A	GX-6000,H2S/CO2(0-10%),w/alkaline battery pack	1,995.00
72-6JFX-G	GX-6000,H2S/CO2(0-10%),w/alk & Li-ion batt packs/100-240 VAC & 12 VDC charger	2,390.00
72-6JLX-C	GX-6000,H2S/HCN(0-15 ppm),w/Li-ion battery pack/100-240 VAC charger	2,055.00
72-6JPX-A	GX-6000,H2S/CL2(0-10.0 ppm),w/alkaline battery pack	1,805.00
72-6JPX-C	GX-6000,H2S/CL2(0-10.0 ppm),w/Li-ion batt pack/100-240 VAC charger	2,055.00
72-6JXX-C	GX-6000,H2S,w/Li-ion battery pack/100-240 VAC charger	1,795.00
72-6JYE-G	GX-6000,H2S/VOC(11.7 ev)/CO2(0-10000 ppm),w/alk & Li-ion batt packs/100-240 VAC & 12 VDC charger	4,590.00
72-6JZM-A	GX-6000,H2S/VOC(0-100ppm/0-50ppm 10.0eV)/NH3 (0-400 ppm),w/alkaline battery pack	4,105.00
72-6JZX-C	GX-6000,H2S/VOC(10.0 ev),w/Li-ion bat pack/100-240 VAC charger	4,095.00
72-6KAC-C	GX-6000,Oxy/VOC(0-50K ppb 10.6eV)/IR CH4 autoranging,w/Li-ion batt pack/100-240 VAC chgr	3,945.00
72-6KBC-B	GX-6000,Oxy/VOC(0-6K ppm 10.6 eV)/IR CH4,w/alk batt pack/Li-Ion batt pack/100-240 VAC charger ...	3,705.00
72-6KBC-C	GX-6000,O2/VOC(0-6K ppm 10.6 eV)/IR CH4 autoranging,w/Li-ion battery pack/100-240 VAC charger	3,545.00
72-6KBF-C	GX-6000,Oxy/VOC(0-6K ppm 10.6eV)/IR CO2(10%),w/Li-ion battery pack/100-240 VAC charger	3,595.00
72-6KBP-C	GX-6000,Oxy/VOC(0-6K ppm 10.6 eV)/CL2,w/Li-ion battery pack/100-240 VAC charger	3,470.00
72-6KBX-C	GX-6000,Oxy/VOC(0-6K ppm 10.6eV),w/Li-ion battery pack/100-240 VAC charger	3,145.00
72-6KCD-C	GX-6000,Oxy/IR CH4 autoranging/IR HC autoranging,w/Li-ion battery pack/100-240 VAC charger	2,595.00
72-6KCF-C	GX-6000,O2/IR CH4 autoranging/CO2(0-10%),w/Li-ion battery pack/100-240 VAC charger	2,645.00
72-6KCX-A	GX-6000,Oxy/IR CH4 autoranging,w/alkaline battery pack	1,945.00
72-6KCX-A-10	GX-6000,Oxy/IR CH4 autoranging,w/alkaline battery pack,10 ft hose	1,975.00
72-6KCX-C	GX-6000,Oxy/IR CH4 autoranging,w/Li-ion battery pack/100-240 VAC charger	2,195.00
72-6KDX-C	GX-6000,Oxy/IR HC autoranging,w/Li-ion battery pack/100-240 VAC charger	2,195.00
72-6KEX-A	GX-6000,Oxy/IR CO2(10,000 ppm),w/alakline battery pack.....	1,995.00

Numerical Index

Part#	Description	Suggested Retail
72-6KEX-C	GX-6000,Oxy/IR CO2(10,000 ppm),w/Li-ion battery pack/100-240 VAC charger	2,245.00
72-6KFI-C	GX-6000,Oxy/CO2(0-10%)/SO2(0-99.90 ppm),w/Li-ion battery pack/100-240 VAC charger	2,505.00
72-6KFX-A	GX-6000,O2/CO2(0-10%),w/alkaline battery pack	1,995.00
72-6KFX-A-51	GX-6000,O2/CO2(0-10%),w/alkaline battery pack/34L 2.5% vol CO2/DFR/tubing/case	2,495.00
72-6KFX-B	GX-6000,Oxy/CO2(0-10%),w/alkaline battery pack/Li-ion battery pack/100-240 VAC charger	2,405.00
72-6KFX-C	GX-6000,Oxy/IR CO2(10%),w/Li-ion battery pack/100-240 VAC charger	2,245.00
72-6KIX-C	GX-6000,Oxy/SO2(0-99.90 ppm),w/Li-ion battery pack/100-240 VAC charger	2,055.00
72-6KMX-C	GX-6000,Oxy/NH3(0-400 ppm),w/Li-ion battery pack/100-240 VAC charger	2,055.00
72-6KPI-A	GX-6000,Oxy/Cl2(0-10 ppm)/SO2(0-99.90 ppm),w/alkaline battery pack	2,065.00
72-6KPI-C	GX-6000,Oxy/CL2(0-10.0 ppm)SO2(0-99.90 ppm),w/Li-ion batt pack/100-240 VAC charger	2,315.00
72-6KPX-C	GX-6000,Oxy/CL2(0-10.0 ppm),w/Li-ion batt pack/100-240 VAC charger	2,055.00
72-6KXX-A	GX-6000,Oxy,w/alkaline battery pack	1,545.00
72-6KXX-B	GX-6000,Oxy,w/alkaline battery pack/Li-Ion battery pack/100-240 VAC charger	1,920.00
72-6LAK-C	GX-6000,LEL/VOC(0-50K ppb 10.6eV)/NO2,w/Li-ion battery pack/100-240 VAC charger	3,805.00
72-6LAX-B	GX-6000,LEL/VOC(0-50K ppb 10.6 eV),w/alk pack/Li-Ion pack/100-240 VAC chgr	3,705.00
72-6LAX-C	GX-6000,LEL/VOC(0-50K ppb 10.6eV),w/Li-ion battery pack/100-240 VAC charger	3,545.00
72-6LBI-C	GX-6000,LEL/VOC(0-6K ppm 10.6 eV)/SO2,w/Li-ion battery pack/100-240 VAC charger	3,405.00
72-6LBX-A	GX-6000,LEL/VOC(0-6K ppm 10.6eV),w/alkaline battery pack.....	2,895.00
72-6LBX-B	GX-6000,LEL/VOC(0-6K ppm 10.6eV),alk pack/Li-Ion pack/100-240 VAC chgr	3,305.00
72-6LBX-C	GX-6000,LEL/VOC(0-6K ppm 10.6eV),w/Li-ion battery pack/100-240 VAC charger	3,145.00
72-6LCX-C	GX-6000,LEL/IR CH4 autorange,w/Li-ion battery pack/100-240 VAC charger	2,195.00
72-6LEX-B	GX-6000,LEL/IR CO2(0-10K ppm),alk pack/Li-Ion pack/100-240 VAC chgr	2,405.00
72-6LEX-B-50	GX-6000,LEL/IR CO2(0-10K ppm),alk pack/Li-Ion pack/100-240 VAC chgr/small padded case	2,495.00
72-6LFK-C	GX-6000,LEL/CO2(0-10%)/NO2(0-20 ppm),w/Li-ion batt pack/100-240 VAC charger	2,505.00
72-6LFX-A	GX-6000,LEL/CO2(0-10%),w/alkaline battery pack	1,995.00
72-6LME-C	GX-6000,LEL/NH3(400 ppm)/CO2(10,000 ppm),w/Li-ion battery pack/100-240 VAC chgr	2,505.00
72-6LMK-C	GX-6000,LEL/NH3(0-400 ppm)/NO2(0-20.00 ppm)/,w/Li-ion battery pack/100-240 VAC chgr	2,315.00
72-6LXX-C	GX-6000,LEL,w/Li-ion battery pack/100-240 VAC charger	1,795.00
72-6LYB-C	GX-6000,LEL/VOC(11.7 ev)/VOC(6K ppm 10.6 eV),w/Li-ion bat pack/100-240 VAC charger	5,345.00
72-6LZX-B	GX-6000,LEL/VOC(0-100ppm/0-50ppm 10.0eV),alk pack/Li-Ion pack/100-240 VAC chgr	4,255.00
72-6MAX-C	GX-6000,Oxy/H2S/CO/VOC(0-50K ppb 10.6 eV),w/Li-ion battery pack/100-240 VAC charger	3,645.00
72-6MBC-C	GX-6000,Oxy/H2S/CO/VOC(0-6K ppm 10.6 eV)/IR CH4 autoranging,w/Li-ion pack/100-240 VAC charger	3,645.00
72-6MBD-A	GX-6000,Oxy/H2S/CO/VOC(0-6K ppm 10.6eV)/IR HC autoranging,w/alkaline battery pack	3,395.00
72-6MBD-C	GX-6000,Oxy/H2S/CO/VOC(0-6K ppm 10.6 eV)/IR HC autoranging,w/Li-ion pack/100-240 VAC charger	3,645.00
72-6MBE-C	GX-6000,Oxy/H2S/CO/VOC(0-6K ppm 10.6 eV)/IR CO2(10Kppm),w/Li-ion pack/100-240 VAC charger	3,695.00
72-6MBX-C	GX-6000,Oxy/H2S/CO/VOC(0-6K ppm 10.6eV),w/Li-ion battery pack/100-240 VAC charger	3,245.00
72-6MCE-C	GX-6000,Oxy/H2S/CO/IR CH4 autoranging/CO2(0-10000 ppm),w/Li-ion battery pack/ 100-240 VAC charger	2,745.00
72-6MCF-C	GX-6000,Oxy/H2S/CO/IR CH4 autoranging/CO2(0-10%),w/Li-ion battery pack/100-240 VAC charger ...	2,745.00
72-6MCI-C	GX-6000,Oxy/H2S/CO/IR CH4 autoranging/SO2,w/Li-ion battery pack/100-240 VAC charger	2,555.00
72-6MCL-A	GX-6000,Oxy/H2S/CO/IR CH4 autorange/HCN,w/alkaline battery pack	2,305.00
72-6MCX-A-10	GX-6000,Oxy/H2S/CO/IR CH4 autorange,w/alkaline battery pack,10 ft hose	2,075.00
72-6MCX-B	GX-6000,Oxy/H2S/CO/IR CH4 autoranging,w/alk batt pack/Li-Ion batt pack/100-240 VAC charger	2,455.00
72-6MCX-C	GX-6000,Oxy/H2S/CO/IR CH4 autoranging,w/Li-ion battery pack/100-240 VAC charger	2,295.00
72-6MCX-C-51	GX-6000,Oxy/H2S/CO/IR CH4 autoranging,w/Li-ion batt/100-240VAC chgr/Cal kit gear w/cyl/pad case	2,900.00
72-6MDK-C	GX-6000,Oxy/H2S/CO/IR HC autoranging/NO2,w/Li-ion battery pack/100-240 VAC charger	2,555.00
72-6MDX-A	GX-6000,Oxy/H2S/CO/IR HC autoranging,w/alkaline battery pack	2,045.00
72-6MDX-C	GX-6000,Oxy/H2S/CO/IR HC autoranging,w/Li-ion battery pack/100-240 VAC charger.....	2,295.00
72-6MEX-A	GX-6000,Oxy/H2S/CO/CO2(10,000 ppm),w/alkaline battery pack	2,095.00
72-6MLX-A	GX-6000,Oxy/H2S/CO/HCN,w/alkaline battery pack	1,905.00
72-6MPM-C	GX-6000,Oxy/H2S/CO/Cl2(0-10.0 ppm)/NH3(0-400 ppm),w/Li-ion battery pack/100-240 VAC chgr.....	2,415.00
72-6MZC-B	GX-6000,Oxy/H2S/CO/VOC(100ppm/50ppm 10.0eV)/IR CH4 autoranging,alk pack/Li-Ion pack/ 100-240 VAC chgr	4,755.00
72-6MZC-C	GX-6000,Oxy/H2S/CO/VOC(10.0 ev)/IR CH4 autoranging,w/Li-ion bat pack/100-240 VAC charger	4,595.00
72-6MZD-C-LEL	GX-6000,Oxy/H2S/CO/VOC(10.0 ev)/IR HC %LEL,w/Li-ion bat pack/100-240 VAC charger	4,595.00
72-6NEM-C	GX-6000,LEL/H2S/CO/CO2(10,000 ppm)/NH3,w/Li-ion battery pack/100-240 VAC charger	2,605.00
72-6NFI-C	GX-6000,LEL/H2S/CO/CO2(10%)/SO2,w/Li-ion battery pack/100-240 VAC charger	2,605.00
72-6NME-C	GX-6000,LEL/H2S/NH3/CO/CO2(10,000 ppm),w/Li-ion battery pack/100-240 VAC charger	2,605.00
72-6NZC-C	GX-6000,LEL/H2S/CO/VOC(10.0 ev)/IR CH4 autorange,w/Li-ion bat pack/100-240 VAC charger	4,595.00
72-6OCE-C	GX-6000,H2S/CO/IR CH4 autoranging/CO2(0-10000 ppm),w/Li-ion battery pack/100-240 VAC charger	2,695.00
72-6OXX-F	GX-6000,H2S/CO,Li-ion batt pack/100-240 VAC & 12 VDC charger	1,865.00

Numerical Index

Part#	Description	Suggested Retail
72-6OZC-C	GX-6000,H2S/CO/VOC(10.0 ev)/IR CH4 autorange,w/Li-ion bat pack/100-240 VAC charger	4,545.00
72-6XAB-A	GX-6000 for VOC's (0 - 50,000 ppb PID) / VOC's (0 - 6,000 ppm PID) with alkaline battery pack.....	4,295.00
72-6XAB-C	GX-6000 for VOC's (0 - 50,000 ppb PID) / VOC's (0 - 6,000 ppm PID) with Li-Ion battery pack and 115 VAC charger	4,545.00
72-6XAM-C	GX-6000,VOC(0-50K ppb 10.6eV)/NH3(0-400 ppm),w/Li-ion battery pack/100-240 VAC charger	3,755.00
72-6XAX-A	GX-6000 for VOC's (0 - 50,000 ppb PID) with alkaline battery pack	3,245.00
72-6XAX-B	GX-6000,VOC(0-50K ppb 10.6eV),alk pack/Li-Ion pack/100-240 VAC chgr	3,655.00
72-6XAX-C	GX-6000 for VOC's (0 - 50,000 ppb PID) with Li-Ion battery pack and 115 VAC charger	3,495.00
72-6XAY-C	GX-6000, VOC(0-50 ppm 10.6 PID)/VOC (0-100 ppm 11.7 PID) with Li-ion battery pack and 115VAC charger	5,695.00
72-6XAY-C-51	GX-6000 for VOC's (0 - 50 ppm 10.6 PID) / VOC's (0 - 50 ppm 11.7 PID) with Li-Ion battery pack, 115 VAC charger, 34L cylinder isobutylene 100 ppm/N2, 34L cylinder isobutylene 10 ppm/N2, demand flow regulator, tubing, and padded carrying case	6,345.00
72-6XAZ-C	GX-6000,VOC(0-50K ppb 10.6eV)/VOC (100ppm/50ppm 10.0eV), Li-Ion pack/100-240 VAC chgr	5,795.00
72-6XBC-C	GX-6000,VOC(0-6K ppm 10.6eV)/IR CH4 autorange,w/Li-ion battery pack/100-240 VAC charger.....	3,495.00
72-6XBD-B	GX-6000,VOC(0-6K ppm 10.6eV)/IR HC autorange,alk pack/Li-Ion pack/100-240 VAC chgr	3,655.00
72-6XBI-C	GX-6000,VOC(0-6K ppm 10.6eV)/SO2(0-100ppm),w/Li-ion battery pack/100-240 VAC charger	3,355.00
72-6XBM-B	GX-6000,VOC(0-6K ppm 10.6eV)/NH3(0-400 ppm),alk pack/Li-Ion pack/100-240 VAC chgr	3,515.00
72-6XBP-B	GX-6000,VOC(0-6K ppm 10.6eV)/Cl2(0-10.0 ppm),alk pack/Li-Ion pack/100-240 VAC chgr	3,580.00
72-6XBX-A	GX-6000,VOC's (0-6,000 ppm) with alkaline battery pack	2,845.00
72-6XBX-B	GX-6000,VOC(0-6K ppm 10.6eV),alk pack/Li-Ion pack/100-240 VAC chgr	3,255.00
72-6XBX-C	GX-6000 for VOC's (0 - 6,000 ppm PID, 10.6 eV lamp) with Li-Ion battery pack and 115 VAC charger ...	3,095.00
72-6XBX-C-50	GX-6000 for VOC's (0 - 6,000 ppm PID, 10.6 eV lamp) with Li-Ion battery pack, 115 VAC charger, and padded carrying case	3,215.00
72-6XBX-C-51	GX-6000 for VOC's (0 - 6,000 ppm PID, 10.6 eV) with Li-Ion battery pack, 115 VAC charger, 34AL cylinder 100 ppm isobutylene/air, demand flow regulator, tubing, and padded carrying case ...	3,690.00
72-6XBX-D	GX-6000,VOC(0-6K ppm 10.6eV),w/Li-ion battery pack/12 VDC charger	3,095.00
72-6XBX-E	GX-6000,VOC(0-6K ppm 10.6eV),w/alk batt pack/Li-Ion batt pack/12 VDC chgr	3,255.00
72-6XCF-A	GX-6000,IR CH4/CO2(0-10% vol),w/alkaline battery pack	2,345.00
72-6XCX-A	GX-6000,IR CH4 autorange,w/alkaline battery pack.....	1,895.00
72-6XCX-B	GX-6000,IR CH4 autoranging,w/alk batt pack/Li-Ion batt pack/100-240 VAC charger	3,305.00
72-6XCX-C	GX-6000,IR CH4 autorange,w/Li-ion battery pack/100-240 VAC charger	2,145.00
72-6XDX-B	GX-6000,IR HC autoranging,w/alk batt pack/Li-Ion batt pack/100-240 VAC charger	2,305.00
72-6XDX-C	GX-6000,IR HC autoranging,w/Li-ion battery pack/100-240 VAC charger	2,145.00
72-6XEK-C	GX-6000,CO2 (0-10,000 ppm)/NO2(0-20.00 ppm),w/Li-ion battery pack/100-240 VAC charger	2,595.00
72-6XEM-A	GX-6000,CO2(0-10,000 ppm)/NH3(0-400 ppm),w/alkaline battery pack	2,205.00
72-6XEX-A	GX-6000,CO2(0-10,000 ppm), w/alkaline battery pack.....	1,945.00
72-6XEX-B	GX-6000,IR CO2(0-10K ppm),alk pack/Li-Ion pack/100-240 VAC chgr	2,355.00
72-6XEX-C	GX-6000,CO2 (0-10,000 ppm),w/Li-ion battery pack/100-240 VAC charger	2,195.00
72-6XFX-A	GX-6000,CO2(0-10%), w/alkaline battery pack	1,945.00
72-6XFX-C	GX-6000,CO2 (0-10%),w/Li-ion battery pack/100-240 VAC charger.....	2,195.00
72-6XIX-A	GX-6000,SO2,0-99.90 ppm,w/alkaline battery pack	1,755.00
72-6XIX-C	GX-6000,SO2 0-100 ppm,w/Li-ion battery pack/100-240 VAC charger	2,005.00
72-6XKM-A	GX-6000,NO2(0-20.00 ppm)/NH3(0-400 ppm),w/alkaline battery pack	2,015.00
72-6XKX-C	GX-6000,NO2 0-20.00 ppm,w/Li-ion battery pack/100-240 VAC charger	2,005.00
72-6XLX-A	GX-6000,HcN,0-15.0 ppm,w/alkaline battery pack	1,755.00
72-6XLX-C	GX-6000,HcN 0-15.0 ppm,w/Li-ion battery pack/100-240 VAC charger	2,005.00
72-6XMB-C	GX-6000,NH3 (0-400 ppm)/VOC(0-6K ppm 10.6eV),w/Li-ion battery pack/100-240 VAC charger	3,355.00
72-6XME-A	GX-6000,NH3 (0-400 ppm)/CO2(0-10,000 ppm),w/alkaline battery pack	2,205.00
72-6XMF-C	GX-6000,NH3 0-400 ppm/CO2(0-10%),w/Li-ion battery pack/100-240 VAC charger	2,455.00
72-6XMK-A	GX-6000,NH3 (0-400 ppm)/NO2(0-20.00 ppm),w/alkaline battery pack	2,015.00
72-6XMX-A	GX-6000,NH3 (0-400 ppm),w/alkaline battery pack	1,755.00
72-6XMX-C	GX-6000,NH3 0-400 ppm,w/Li-ion battery pack/100-240 VAC charger	2,005.00
72-6XMX-D	GX-6000,NH3(0-400 ppm),w/Li-Ion batt pack/12 VDC chgr	2,005.00
72-6XPF-C	GX-6000,Cl2(0-10ppm)/CO2(0-10%),w/Li-ion battery pack/100-240 VAC charger	2,455.00
72-6XPI-C	GX-6000, Cl2 (0-10.0 ppm)/SO2 (0-99.90 ppm) Li-Ion pack/100-240 VAC chgr	2,265.00
72-6XPK-C-50	GX-6000, Cl2 (0-10.0 ppm)/NO2 (0-20.0 ppm) Li-Ion pack/100-240 VAC chgr/carrying case	2,355.00
72-6XPM-A	GX-6000,Cl2 (0-10.0 ppm)/NH(0-400 ppm),w/alkaline battery pack	2,015.00
72-6XPM-C	GX-6000, Cl2 (0-10.0 ppm)/NH3 (0-400 ppm) Li-Ion pack/100-240 VAC chgr	2,265.00
72-6XPX-A	GX-6000,Cl2(0-10 ppm),w/alkaline battery pack	1,795.00
72-6XPX-C	GX-6000,Cl2 (0-10.0 ppm),w/Li-ion battery pack/100-240 VAC charger	2,005.00

Numerical Index

Part#	Description	Suggested Retail
72-6XRK-C	GX-6000,MMH 0-10.00 ppm/NO2,w/Li-ion battery pack/100-240 VAC charger	2,485.00
72-6XYB-A	GX-6000,VOC(11.7 ev)/VOC(10.6 6k ppm),w/alkaline battery pack	5,045.00
72-6XYX-A	GX-6000,VOC(11.7 ev),w/alkaline battery pack	3,695.00
72-6XYX-C	GX-6000,VOC(11.7 ev),w/Li-ion bat pack/100-240 VAC charger	3,945.00
72-6XYX-C-51	GX-6000,VOC(11.7eV),w/Li-ion batt/100-240VAC chgr/Cal kit gear w/cyl/pad case	4,540.00
72-6XYX-G	GX-6000,VOC(11.7 eV),w/alk & Li-ion batt packs/100-240 VAC & 12 VDC charger	4,125.00
72-6XZB-A	GX-6000,VOC(10.0 ev)/VOC(6K ppm 10.6 eV),w/alkaline battery pack/100-240 VAC charger	5,145.00
72-6XZB-C	GX-6000 for Benzene specific (0 - 50 ppm PID, 10.0 eV lamp) with tube holder, box of 10 tubes, VOC's (0 - 6,000 ppm PID, 10.6 eV lamp) (Li-Ion battery pack, and charger).....	5,395.00
72-6XZC-B	GX-6000,VOC(0-100ppm/0-50ppm 10.0eV)/IR CH4 autoranging,alk pack/Li-Ion pack/ 100-240 VAC chgr	4,605.00
72-6XZM-A	GX-6000,VOC(0-100ppm/0-50ppm 10.0eV)/NH3 (0-400 ppm),w/alkaline battery pack	4,055.00
72-6XZX-A	GX-6000 for Benzene specific (0 - 50 ppm PID, 10.0 eV lamp) with tube holder, box of 10 tubes, Alkaline battery pack, and charger	3,795.00
72-6XZX-B	GX-6000,VOC(0-100ppm/0-50ppm 10.0eV),alk pack/Li-Ion pack/100-240 VAC chgr	4,205.00
72-6XZX-C	GX-6000 for Benzene specific (0 - 50 ppm PID) with tube holder, box of 10 tubes, Li-Ion battery pack, and charger.....	4,045.00
72-6XZX-C-51	GX-6000,VOC (100ppm/50ppm 10.0eV),w/Li-ion batt/AC chgr/Cal gear w/34l gas/DFR/tubing/case ...	4,640.00
72-6XZX-C-55	GX-6000 for Benzene specific with tube holder, box of 10 filter tubes, with Li-Ion battery pack, 115 VAC charger, 10' hose with probe, and padded carrying case for instrument and accessories	4,350.00
72-FA-A-A10	GX-Force, 4 gas, LEL / O2 / combo H2S & CO with Li-Ion battery, 100-240 VAC charger, belt clip, USB A to USB C data downloading cable, rubber nozzle, 10' hose with probe	865.00
72-FA-A-A10-50	GX-Force bundle, 4 sensors, LEL / O2 / H2S / CO unit with Li-Ion battery pack, and padded case.....	1,025.00
72-FA-A-A10-51	GX-Force bundle, 4 sensors, LEL / O2 / H2S / CO unit with Li-Ion battery pack, 34AL cyl H2S/CO/O2/CH4, demand flow regulator, tubing and padded case	1,425.00
72-FA-A-A5	GX-Force, 4 gas, LEL / O2 / combo H2S & CO with Li-Ion battery, 100-240 VAC charger, belt clip, USB A to USB C data downloading cable, rubber nozzle, 5' hose with probe	860.00
72-FA-A-B	GX-Force,4-gas,LEL/Oxy/CO/H2S,AC adapter,belt clip,rubber nozzle	795.00
72-FA-B-A10	GX-Force,LEL/Oxy/CO/H2S,12VDC car plug adapter,USB cable,belt clip,rubber nozzle,10ft hose/probe ...	865.00
72-FA-B-A5	GX-Force,LEL/Oxy/CO/H2S,12VDC car plug adapter,USB cable,belt clip,rubber nozzle,5ft hose/probe ...	860.00
72-FA-B-B	GX-Force,LEL/Oxy/CO/H2S,12VDC car plug adapter,USB cable,belt clip,rubber nozzle	795.00
72-FA-C-A10	GX-Force, 4 gas, LEL / O2 / combo H2S & CO with Li-Ion battery, 100-240 VAC charger, 12-24 VDC charger, belt clip, USB A to USB C data downloading cable, rubber nozzle, 10' hose with probe	915.00
72-FA-C-A5	GX-Force,LEL/Oxy/CO/H2S,AC adptr,12VDC car adptr,USB cable,belt clip,rubber nozzle,5ft hose/probe ...	910.00
72-FA-C-B	GX-Force,LEL/Oxy/CO/H2S,AC adptr/12VDC car plug adapter,USB cable,belt clip,rubber nozzle	845.00
72-FA-D-A10	GX-Force,LEL/Oxy/CO/H2S,USB cable,belt clip,rubber nozzle,10ft hose/probe,no charger	815.00
72-PAA-A	GX-3R Pro,LEL/Oxy/H2S/CO/CO2(10000 ppm),with alkaline battery pack	1,195.00
72-PAA-A-56	GX-3R Pro,LEL/Oxy/H2S/CO/CO2(10000 ppm),with alkaline battery pack & cal kit	1,880.00
72-PAA-B	GX-3R Pro,LEL/Oxy/H2S/CO/CO2(10000 ppm),with alkaline and Li-Ion battery packs, 100-240 VAC charger	1,565.00
72-PAA-C	GX-3R Pro, 5 gas, LEL / O2 / combo H2S & CO / ppm CO2 with 100-240 VAC charger.....	1,380.00
72-PAA-D	GX-3R Pro,LEL/Oxy/H2S/CO/CO2(10000 ppm),with Li-Ion battery & 12 VDC charger	1,355.00
72-PAB-A	GX-3R Pro,LEL/Oxy/H2S/CO/CO2(10%),with alkaline battery pack	1,195.00
72-PAB-B	GX-3R Pro,LEL/Oxy/H2S/CO/CO2(10%),with alkaline and Li-Ion battery packs,100-240 VAC charger ...	1,505.00
72-PAB-C	GX-3R Pro, 5 gas, LEL / O2 / combo H2S & CO / % CO2 with 100-240 VAC charger	1,380.00
72-PAB-C-58	GX-3R Pro LEL/Oxy/H2S/CO/CO2 (10%) confined space kit, pump with 10 ft hose and probe	1,925.00
72-PAB-D	GX-3R Pro,LEL/Oxy/H2S/CO/CO2(10%),with Li-Ion battery & 12 VDC charger	1,355.00
72-PAB-E	GX-3R Pro,LEL/Oxy/H2S/CO/CO2(10%),with Li-Ion battery	1,330.00
72-PAC-A	GX-3R Pro,LEL/Oxy/H2S/CO/SO2,with alkaline battery pack	1,035.00
72-PAC-B	GX-3R Pro,LEL/Oxy/H2S/CO/SO2,w/alkaline & Li-Ion battery packs,100-240 VAC charger	1,345.00
72-PAC-C	GX-3R Pro, 5 gas, LEL / O2 / combo H2S & CO / SO2 100 ppm with Li-Ion battery pack including 100-240 VAC charger	1,220.00
72-PAC-C-50	GX-3R Pro, 5 gas, LEL / O2 / combo H2S & CO / SO2 100 ppm with Li-Ion battery pack 100-240 VAC charger, screwdriver and carrying case	1,305.00
72-PAC-C-56	GX-3R Pro, 5 gas, LEL / O2 / combo H2S & CO / SO2 100 ppm bundled with 34AL cylinder SO2/H2S/CO/O2/LEL, 0.25 LPM regulator, Li-Ion battery pack & 100-240 VAC charger, tubing, screwdriver, and carrying case	1,745.00
72-PAC-C-58	GX-3R Pro, 5 gas, LEL / O2 / combo H2S & CO / SO2 100 ppm bundled with RP-3R, 10' hose & probe, Li-Ion battery pack & 100-240 VAC charger and carrying case.....	1,765.00
72-PAC-D	GX-3R Pro,LEL/Oxy/H2S/CO/SO2,with Li-Ion battery & 12 VDC charger	1,195.00
72-PAC-F	GX-3R Pro,LEL/Oxy/H2S/CO/SO2,with Li-Ion battery/100-240 VAC & 12 VDC chargers	1,245.00

Numerical Index

Part#	Description	Suggested Retail
72-PAD-A	GX-3R Pro,LEL/Oxy/H2S/CO/NO2,w/alkaline battery pack	1,035.00
72-PAD-C	GX-3R Pro, 5 gas, LEL / O2 / H2S & CO / NO2 20 ppm with Li-Ion battery pack including 100-240 VAC charger	1,220.00
72-PAD-C-58	GX-3R Pro, 5 gas, LEL / O2 / H2S & CO / NO2 20 ppm bundled with RP-3R, 10' hose & probe, Li-Ion battery pack & 100-240 VAC charger and carrying case.....	1,765.00
72-PAE-A	GX-3R Pro,LEL/Oxy/H2S/CO/HCn,w/alkaline battery pack	1,035.00
72-PAE-B	GX-3R Pro,LEL/Oxy/H2S/CO/HCn,w/alkaline & Li-Ion battery packs,100-240 VAC charger.....	1,345.00
72-PAE-C	GX-3R Pro,LEL/Oxy/H2S/CO/HCn,with Li-Ion battery & 100-240 VAC charger.....	1,220.00
72-PAE-C-56	GX-3R Pro, 5 gas, LEL / O2 / combo H2S & CO / HCN 30 ppm bundled with 34AL cylinder H2S/CO/O2/LEL, 34AL cylinder HCN 10 ppm in N2, 0.25 LPM regulator, Li-Ion battery pack & 100-240 VAC charger, tubing, screwdriver, and carrying case	1,925.00
72-PAE-C-58	GX-3R Pro LEL/Oxy/H2S/CO/HCN confined space kit, pump with 10 ft hose and probe	1,700.00
72-PAE-D	GX-3R Pro,LEL/Oxy/H2S/CO/HCn,with Li-Ion battery & 12 VDC charger	1,195.00
72-PAE-F	GX-3R Pro,LEL/Oxy/H2S/CO/HCn,with Li-Ion battery/100-240 VAC & 12 VDC chargers	1,245.00
72-PAG-A	GX-3R Pro,LEL/Oxy/H2S/CO/NH3,w/alkaline battery pack	1,035.00
72-PAG-C	GX-3R Pro, 5 gas, LEL / O2 / combo H2S & CO / NH3 400 ppm with Li-Ion battery pack including 100-240 VAC charger	1,220.00
72-PAG-C-58	GX-3R Pro LEL/Oxy/H2S/CO/NH3 confined space kit, pump with 10 ft hose and probe	1,700.00
72-PAH-C	GX-3R Pro, 5 gas, LEL / O2 / combo H2S & CO / Cl2 10 ppm with Li-Ion battery pack including 100-240 VAC charger	1,200.00
72-PAX-A	GX-3R Pro,LEL/Oxy/H2S/CO,w/alkaline battery pack	795.00
72-PAX-A-56	GX-3R Pro,LEL/Oxy/H2S/CO,w/alkaline battery pack/cal kit.....	1,280.00
72-PAX-B	GX-3R Pro,LEL/Oxy/H2S/CO,w/alkaline & Li-Ion battery packs,100-240 VAC charger	1,105.00
72-PAX-C	GX-3R Pro, 4 gas, LEL / O2 / combo H2S & CO with Li-Ion battery & 100-240 VAC charger	980.00
72-PAX-C-50	GX-3R Pro, 4 gas, LEL / O2 / combo H2S & CO with Li-Ion battery & 100-240 VAC charger, screwdriver and carrying case	1,065.00
72-PAX-C-56	GX-3R Pro, 4 gas, LEL / O2 / combo H2S & CO bundled with 34AL cylinder CH4/O2/H2S/CO, 0.25 LPM regulator, Li-Ion battery & 100-240 VAC charger, tubing, screwdriver, and carrying case	1,465.00
72-PAX-C-58	GX-3R Pro, 4 gas, LEL / O2 / combo H2S & CO bundled with with RP-3R, 10' hose & probe, Li-Ion battery & 100-240 VAC charger and carrying case	1,525.00
72-PAX-C-59	GX-3R Pro LEL/Oxy/H2S/CO confined space kit, pump with 10 ft hose and probe, cal kit	1,885.00
72-PAX-C-59-H	GX-3R Pro LEL/Oxy/H2S/CO confined space kit, pump with 10 ft hose and probe,hexane cal kit	1,885.00
72-PAX-D	GX-3R Pro,LEL/Oxy/H2S/CO,with Li-Ion battery & 12 VDC charger	955.00
72-PAX-E	GX-3R Pro,LEL/Oxy/H2S/CO,with Li-Ion battery	930.00
72-PAX-F	GX-3R Pro,LEL/Oxy/H2S/CO,with Li-Ion battery/100-240 VAC & 12 VDC chargers	1,005.00
72-PBX-A	GX-3R Pro,LEL/Oxy/H2S/CO,with alkaline battery pack	845.00
72-PBX-B	GX-3R Pro,LEL/Oxy/H2S/CO,with alkaline and Li-Ion battery packs,100-240 VAC charger	1,155.00
72-PBX-C	GX-3R Pro,LEL/Oxy/H2S/CO,with Li-Ion battery & 100-240 VAC charger	1,030.00
72-PBX-D	GX-3R Pro,LEL/Oxy/H2S/CO,with Li-Ion battery & 12 VDC charger	1,005.00
72-PCX-A	GX-3R Pro,LEL/Oxy/H2S/CO(-H2),with alkaline battery pack	935.00
72-PCX-B	GX-3R Pro,LEL/Oxy/H2S/CO(-H2),with alkaline and Li-Ion battery packs,100-240 VAC charger.....	1,245.00
72-PCX-C	GX-3R Pro, 4 gas, LEL / O2 / H2S / CO (H2 compensated) with 100-240 VAC charger	1,120.00
72-PCX-D	GX-3R Pro,LEL/Oxy/H2S/CO(-H2),with Li-Ion battery & 12 VDC charger	1,095.00
72-PDA-A	GX-3R Pro,LEL/Oxy/H2S/CO2 (10k ppm),with alkaline battery pack	1,195.00
72-PDA-B	GX-3R Pro,LEL/Oxy/H2S/CO2 (10k ppm),with alkaline and Li-Ion battery packs,100-240 VAC charger ...	1,505.00
72-PDA-C	GX-3R Pro,LEL/Oxy/H2S/CO2 (10k ppm),with Li-Ion battery & 100-240 VAC charger	1,380.00
72-PDA-D	GX-3R Pro,LEL/Oxy/H2S/CO2 (10k ppm),with Li-Ion battery & 12 VDC charger	1,355.00
72-PDB-A	GX-3R Pro,LEL/Oxy/H2S/CO2 (10%),with alkaline battery pack	1,195.00
72-PDB-B	GX-3R Pro,LEL/Oxy/H2S/CO2 (10%),with alkaline and Li-Ion battery packs,100-240 VAC charger.....	1,505.00
72-PDB-C	GX-3R Pro,LEL/Oxy/H2S/CO2 (10%),with Li-Ion battery & 100-240 VAC charger.....	1,380.00
72-PDB-D	GX-3R Pro,LEL/Oxy/H2S/CO2 (10%),with Li-Ion battery & 12 VDC charger	1,355.00
72-PDC-A	GX-3R Pro,LEL/Oxy/H2S/SO2,with alkaline battery pack	1,035.00
72-PDC-B	GX-3R Pro,LEL/Oxy/H2S/SO2,with alkaline and Li-Ion battery packs,100-240 VAC charger	1,345.00
72-PDC-C	GX-3R Pro,LEL/Oxy/H2S/SO2,with Li-Ion battery & 100-240 VAC charger	1,220.00
72-PDC-D	GX-3R Pro,LEL/Oxy/H2S/SO2,with Li-Ion battery & 12 VDC charger	1,195.00
72-PDX-A	GX-3R Pro,LEL/Oxy/H2S,with alkaline battery pack	795.00
72-PDX-B	GX-3R Pro,LEL/Oxy/H2S,with alkaline and Li-Ion battery packs,100-240 VAC charger	1,105.00
72-PDX-C	GX-3R Pro,LEL/Oxy/H2S,with Li-Ion battery & 100-240 VAC charger	980.00
72-PDX-D	GX-3R Pro,LEL/Oxy/H2S,with Li-Ion battery & 12 VDC charger	955.00
72-PEA-A	GX-3R Pro,LEL/Oxy/CO/CO2(10000 ppm),with alkaline battery pack	1,195.00
72-PEA-B	GX-3R Pro,LEL/Oxy/CO/CO2(10000 ppm),with alkaline and Li-Ion battery packs,100-240 VAC charger	1,505.00

Numerical Index

Part#	Description	Suggested Retail
72-PEA-C	GX-3R Pro,LEL/Oxy/CO/CO2(10000 ppm),with Li-Ion battery & 100-240 VAC charger	1,380.00
72-PEA-D	GX-3R Pro,LEL/Oxy/CO/CO2(10000 ppm),with Li-Ion battery & 12 VDC charger	1,355.00
72-PEB-A	GX-3R Pro,LEL/Oxy/CO/CO2(10%),with alkaline battery pack	1,195.00
72-PEB-B	GX-3R Pro,LEL/Oxy/CO/CO2(10%),with alkaline and Li-Ion battery packs,100-240 VAC charger	1,505.00
72-PEB-C	GX-3R Pro,LEL/Oxy/CO/CO2(10%),with Li-Ion battery & 100-240 VAC charger	1,380.00
72-PEB-D	GX-3R Pro,LEL/Oxy/CO/CO2(10%),with Li-Ion battery & 12 VDC charger	1,355.00
72-PEC-A	GX-3R Pro,LEL/Oxy/CO/SO2,with alkaline battery pack	1,035.00
72-PEC-B	GX-3R Pro,LEL/Oxy/CO/SO2,with alkaline and Li-Ion battery packs,100-240 VAC charger	1,345.00
72-PEC-C	GX-3R Pro,LEL/Oxy/CO/SO2,with Li-Ion battery & 100-240 VAC charger	1,220.00
72-PEC-D	GX-3R Pro,LEL/Oxy/CO/SO2,with Li-Ion battery & 12 VDC charger	1,195.00
72-PED-C	GX-3R Pro,LEL/Oxy/CO/NO2,with Li-Ion battery & 100-240 VAC charger	1,220.00
72-PEE-C	GX-3R Pro,LEL/Oxy/CO/HcN,with Li-Ion battery & 100-240 VAC charger.....	1,220.00
72-PEF-C	GX-3R Pro,LEL/Oxy/CO/PH3,with Li-Ion battery & 100-240 VAC charger.....	1,220.00
72-PEG-C	GX-3R Pro,LEL/Oxy/CO/NH3,with Li-Ion battery & 100-240 VAC charger	1,220.00
72-PEX-A	GX-3R Pro,LEL/Oxy/CO,with alkaline battery pack	795.00
72-PEX-B	GX-3R Pro,LEL/Oxy/CO,with alkaline and Li-Ion battery packs,100-240 VAC charger	1,105.00
72-PEX-C	GX-3R Pro,LEL/Oxy/CO,with Li-Ion battery & 100-240 VAC charger	980.00
72-PEX-D	GX-3R Pro,LEL/Oxy/CO,with Li-Ion battery & 12 VDC charger	955.00
72-PFA-A	GX-3R Pro,LEL/Oxy/CO(-H2)/CO2 (10k ppm),with alkaline battery pack	1,285.00
72-PFA-B	GX-3R Pro,LEL/Oxy/CO(-H2)/CO2 (10k ppm),with alkaline and Li-Ion battery packs,100-240 VAC charger	1,595.00
72-PFA-C	GX-3R Pro,LEL/Oxy/CO(-H2)/CO2 (10k ppm),with Li-Ion battery & 100-240 VAC charger	1,470.00
72-PFA-D	GX-3R Pro,LEL/Oxy/CO(-H2)/CO2 (10k ppm),with Li-Ion battery & 12 VDC charger	1,445.00
72-PFB-A	GX-3R Pro,LEL/Oxy/CO(-H2)/CO2(10%),with alkaline battery pack	1,285.00
72-PFB-B	GX-3R Pro,LEL/Oxy/CO(-H2)/CO2(10%),with alkaline and Li-Ion battery packs,100-240 VAC charger ...	1,595.00
72-PFB-C	GX-3R Pro,LEL/Oxy/CO(-H2)/CO2(10%),with Li-Ion battery & 100-240 VAC charger	1,470.00
72-PFB-D	GX-3R Pro,LEL/Oxy/CO(-H2)/CO2(10%),with Li-Ion battery & 12 VDC charger	1,445.00
72-PFC-A	GX-3R Pro,LEL/Oxy/CO(-H2)/SO2,with alkaline battery pack	1,125.00
72-PFC-B	GX-3R Pro,LEL/Oxy/CO(-H2)/SO2,with alkaline and Li-Ion battery packs,100-240 VAC charger	1,435.00
72-PFC-C	GX-3R Pro,LEL/Oxy/CO(-H2)/SO2,with Li-Ion battery & 100-240 VAC charger.....	1,310.00
72-PFC-D	GX-3R Pro,LEL/Oxy/CO(-H2)/SO2,with Li-Ion battery & 12 VDC charger	1,285.00
72-PFX-A	GX-3R Pro,LEL/Oxy/CO(-H2),with alkaline battery pack	885.00
72-PFX-B	GX-3R Pro,LEL/Oxy/CO(-H2),with alkaline and Li-Ion battery packs,100-240 VAC charger	1,195.00
72-PFX-C	GX-3R Pro,LEL/Oxy/CO(-H2),with Li-Ion battery & 100-240 VAC charger	1,070.00
72-PFX-D	GX-3R Pro,LEL/Oxy/CO(-H2),with Li-Ion battery & 12 VDC charger	1,045.00
72-PGA-A	GX-3R Pro,LEL/H2S/CO/CO2(10k ppm),with alkaline battery pack	1,170.00
72-PGA-B	GX-3R Pro,LEL/H2S/CO/CO2(10k ppm),with alkaline and Li-Ion battery packs,100-240 VAC charger ...	1,480.00
72-PGA-C	GX-3R Pro,LEL/H2S/CO/CO2(10k ppm),with Li-Ion battery & 100-240 VAC charger	1,355.00
72-PGA-D	GX-3R Pro,LEL/H2S/CO/CO2(10k ppm),with Li-Ion battery & 12 VDC charger	1,330.00
72-PGB-A	GX-3R Pro,LEL/H2S/CO/CO2(10%),with alkaline battery pack	1,170.00
72-PGB-B	GX-3R Pro,LEL/H2S/CO/CO2(10%),with alkaline and Li-Ion battery packs,100-240 VAC charger	1,480.00
72-PGB-C	GX-3R Pro,LEL/H2S/CO/CO2(10%),with Li-Ion battery & 100-240 VAC charger	1,355.00
72-PGB-D	GX-3R Pro,LEL/H2S/CO/CO2(10%),with Li-Ion battery & 12 VDC charger	1,330.00
72-PGC-A	GX-3R Pro,LEL/H2S/CO/SO2,with alkaline battery pack	1,010.00
72-PGC-B	GX-3R Pro,LEL/H2S/CO/SO2,with alkaline and Li-Ion battery packs,100-240 VAC charger	1,330.00
72-PGC-C	GX-3R Pro,LEL/H2S/CO/SO2,with Li-Ion battery & 100-240 VAC charger	1,195.00
72-PGC-D	GX-3R Pro,LEL/H2S/CO/SO2,with Li-Ion battery & 12 VDC charger	1,170.00
72-PGX-A	GX-3R Pro,LEL/H2S/CO,with alkaline battery pack	770.00
72-PGX-B	GX-3R Pro,LEL/H2S/CO,with alkaline and Li-Ion battery packs,100-240 VAC charger	1,080.00
72-PGX-C	GX-3R Pro,LEL/H2S/CO,with Li-Ion battery & 100-240 VAC charger	955.00
72-PGX-D	GX-3R Pro,LEL/H2S/CO,with Li-Ion battery & 12 VDC charger	930.00
72-PHA-A	GX-3R Pro,O2/H2S/CO/CO2(10k ppm),with alkaline battery pack	1,170.00
72-PHA-B	GX-3R Pro,O2/H2S/CO/CO2(10k ppm),with alkaline and Li-Ion battery packs,100-240 VAC charger.....	1,480.00
72-PHA-C	GX-3R Pro,O2/H2S/CO/CO2(10k ppm),with Li-Ion battery & 100-240 VAC charger	1,355.00
72-PHA-D	GX-3R Pro,O2/H2S/CO/CO2(10k ppm),with Li-Ion battery & 12 VDC charger	1,330.00
72-PHB-A	GX-3R Pro,O2/H2S/CO/CO2(10%),with alkaline battery pack	1,170.00
72-PHB-B	GX-3R Pro,O2/H2S/CO/CO2(10%),with alkaline and Li-Ion battery packs,100-240 VAC charger	1,480.00
72-PHB-C	GX-3R Pro,O2/H2S/CO/CO2(10%),with Li-Ion battery & 100-240 VAC charger	1,355.00
72-PHB-D	GX-3R Pro,O2/H2S/CO/CO2(10%),with Li-Ion battery & 12 VDC charger.....	1,330.00
72-PHC-A	GX-3R Pro,O2/H2S/CO/SO2,with alkaline battery pack	1,010.00
72-PHC-B	GX-3R Pro,O2/H2S/CO/SO2,with alkaline and Li-Ion battery packs,100-240 VAC charger	1,330.00
72-PHC-C	GX-3R Pro,O2/H2S/CO/SO2,with Li-Ion battery & 100-240 VAC charger	1,195.00

Numerical Index

Part#	Description	Suggested Retail
72-PHC-D	GX-3R Pro,O2/H2S/CO/SO2,with Li-Ion battery & 12 VDC charger	1,170.00
72-PHG-C	GX-3R Pro,Oxy/H2S/CO/NH3,with Li-Ion battery & 100-240 VAC charger	1,195.00
72-PHX-A	GX-3R Pro,O2/H2S/CO,with alkaline battery pack.....	770.00
72-PHX-B	GX-3R Pro,O2/H2S/CO,with alkaline and Li-Ion battery packs,100-240 VAC charger	1,080.00
72-PHX-C	GX-3R Pro,O2/H2S/CO,with Li-Ion battery & 100-240 VAC charger	955.00
72-PHX-D	GX-3R Pro,O2/H2S/CO,with Li-Ion battery & 12 VDC charger	930.00
72-PIA-A	GX-3R Pro,LEL/O2/CO2(10k ppm),with alkaline battery pack	1,145.00
72-PIA-B	GX-3R Pro,LEL/O2/CO2(10k ppm),with alkaline and Li-Ion battery packs,100-240 VAC charger	1,455.00
72-PIA-C	GX-3R Pro,LEL/O2/CO2(10k ppm),with Li-Ion battery & 100-240 VAC charger	1,330.00
72-PIA-D	GX-3R Pro,LEL/O2/CO2(10k ppm),with Li-Ion battery & 12 VDC charger.....	1,305.00
72-PIB-A	GX-3R Pro,LEL/O2/CO2(10%),with alkaline battery pack	1,145.00
72-PIB-B	GX-3R Pro,LEL/O2/CO2(10%),with alkaline and Li-Ion battery packs,100-240 VAC charger	1,455.00
72-PIB-C	GX-3R Pro,LEL/O2/CO2(10%),with Li-Ion battery & 100-240 VAC charger	1,330.00
72-PIB-D	GX-3R Pro,LEL/O2/CO2(10%),with Li-Ion battery & 12 VDC charger	1,305.00
72-PIC-A	GX-3R Pro,LEL/O2/SO2,with alkaline battery pack	985.00
72-PIC-B	GX-3R Pro,LEL/O2/SO2,with alkaline and Li-Ion battery packs,100-240 VAC charger	1,295.00
72-PIC-C	GX-3R Pro,LEL/O2/SO2,with Li-Ion battery & 100-240 VAC charger	1,170.00
72-PIC-D	GX-3R Pro,LEL/O2/SO2,with Li-Ion battery & 12 VDC charger	1,145.00
72-PIE-C	GX-3R Pro,LEL/O2/HCN,with Li-Ion battery & 100-240 VAC charger	1,170.00
72-PIX-A	GX-3R Pro,LEL/O2,with alkaline battery pack	745.00
72-PIX-B	GX-3R Pro,LEL/O2,with alkaline and Li-Ion battery packs,100-240 VAC charger	1,055.00
72-PIX-C	GX-3R Pro,LEL/O2,with Li-Ion battery & 100-240 VAC charger	930.00
72-PIX-D	GX-3R Pro,LEL/O2,with Li-Ion battery & 12 VDC charger	905.00
72-PJA-A	GX-3R Pro,LEL/H2S/CO2(10k ppm),with alkaline battery pack	1,145.00
72-PJA-B	GX-3R Pro,LEL/H2S/CO2(10k ppm),with alkaline and Li-Ion battery packs,100-240 VAC charger	1,455.00
72-PJA-C	GX-3R Pro,LEL/H2S/CO2(10k ppm),with Li-Ion battery & 100-240 VAC charger	1,330.00
72-PJA-D	GX-3R Pro,LEL/H2S/CO2(10k ppm),with Li-Ion battery & 12 VDC charger	1,305.00
72-PJB-A	GX-3R Pro,LEL/H2S/CO2(10%),with alkaline battery pack	1,145.00
72-PJB-B	GX-3R Pro,LEL/H2S/CO2(10%),with alkaline and Li-Ion battery packs,100-240 VAC charger	1,455.00
72-PJB-C	GX-3R Pro,LEL/H2S/CO2(10%),with Li-Ion battery & 100-240 VAC charger	1,330.00
72-PJB-D	GX-3R Pro,LEL/H2S/CO2(10%),with Li-Ion battery & 12 VDC charger	1,305.00
72-PJC-A	GX-3R Pro,LEL/H2S/SO2,with alkaline battery pack	985.00
72-PJC-B	GX-3R Pro,LEL/H2S/SO2,with alkaline and Li-Ion battery packs,100-240 VAC charger	1,295.00
72-PJC-C	GX-3R Pro,LEL/H2S/SO2,with Li-Ion battery & 100-240 VAC charger	1,170.00
72-PJC-D	GX-3R Pro,LEL/H2S/SO2,with Li-Ion battery & 12 VDC charger	1,145.00
72-PJX-A	GX-3R Pro,LEL/H2S,with alkaline battery pack	745.00
72-PJX-B	GX-3R Pro,LEL/H2S,with alkaline and Li-Ion battery packs,100-240 VAC charger	1,055.00
72-PJX-C	GX-3R Pro,LEL/H2S,with Li-Ion battery & 100-240 VAC charger	930.00
72-PJX-D	GX-3R Pro,LEL/H2S,with Li-Ion battery & 12 VDC charger	905.00
72-PKA-A	GX-3R Pro,LEL/CO/CO2(10k ppm),with alkaline battery pack	1,145.00
72-PKA-B	GX-3R Pro,LEL/CO/CO2(10k ppm),with alkaline and Li-Ion battery packs,100-240 VAC charger	1,455.00
72-PKA-C	GX-3R Pro,LEL/CO/CO2(10k ppm),with Li-Ion battery & 100-240 VAC charger	1,330.00
72-PKA-D	GX-3R Pro,LEL/CO/CO2(10k ppm),with Li-Ion battery & 12 VDC charger	1,305.00
72-PKB-A	GX-3R Pro,LEL/CO/CO2(10%),with alkaline battery pack	1,145.00
72-PKB-B	GX-3R Pro,LEL/CO/CO2(10%),with alkaline and Li-Ion battery packs,100-240 VAC charger	1,455.00
72-PKB-C	GX-3R Pro,LEL/CO/CO2(10%),with Li-Ion battery & 100-240 VAC charger	1,330.00
72-PKB-D	GX-3R Pro,LEL/CO/CO2(10%),with Li-Ion battery & 12 VDC charger	1,305.00
72-PKC-A	GX-3R Pro,LEL/CO/SO2,with alkaline battery pack	985.00
72-PKC-B	GX-3R Pro,LEL/CO/SO2,with alkaline and Li-Ion battery packs,100-240 VAC charger	1,295.00
72-PKC-C	GX-3R Pro,LEL/CO/SO2,with Li-Ion battery & 100-240 VAC charger	1,170.00
72-PKC-D	GX-3R Pro,LEL/CO/SO2,with Li-Ion battery & 12 VDC charger	1,145.00
72-PKX-A	GX-3R Pro,LEL/CO,with alkaline battery pack	745.00
72-PKX-B	GX-3R Pro,LEL/CO,with alkaline and Li-Ion battery packs,100-240 VAC charger	1,055.00
72-PKX-C	GX-3R Pro,LEL/CO,with Li-Ion battery & 100-240 VAC charger	930.00
72-PKX-D	GX-3R Pro,LEL/CO,with Li-Ion battery & 12 VDC charger	905.00
72-PLA-A	GX-3R Pro,LEL/CO(-H2)/CO2(10k ppm),with alkaline battery pack	1,260.00
72-PLA-B	GX-3R Pro,LEL/CO(-H2)/CO2(10k ppm),with alkaline and Li-Ion battery packs,100-240 VAC charger ...	1,570.00
72-PLA-C	GX-3R Pro,LEL/CO(-H2)/CO2(10k ppm),with Li-Ion battery & 100-240 VAC charger	1,445.00
72-PLA-D	GX-3R Pro,LEL/CO(-H2)/CO2(10k ppm),with Li-Ion battery & 12 VDC charger	1,420.00
72-PLB-A	GX-3R Pro,LEL/CO(-H2)/CO2(10%),with alkaline battery pack	1,260.00
72-PLB-B	GX-3R Pro,LEL/CO(-H2)/CO2(10%),with alkaline and Li-Ion battery packs,100-240 VAC charger	1,570.00

Numerical Index

Part#	Description	Suggested Retail
72-PLB-C	GX-3R Pro,LEL/CO(-H2)/CO2(10%),with Li-Ion battery & 100-240 VAC charger	1,445.00
72-PLB-D	GX-3R Pro,LEL/CO(-H2)/CO2(10%),with Li-Ion battery & 12 VDC charger	1,420.00
72-PLC-A	GX-3R Pro,LEL/CO(-H2)/SO2,with alkaline battery pack	1,105.00
72-PLC-B	GX-3R Pro,LEL/CO(-H2)/SO2,with alkaline and Li-Ion battery packs,100-240 VAC charger.....	1,410.00
72-PLC-C	GX-3R Pro,LEL/CO(-H2)/SO2,with Li-Ion battery & 100-240 VAC charger.....	1,290.00
72-PLC-D	GX-3R Pro,LEL/CO(-H2)/SO2,with Li-Ion battery & 12 VDC charger	1,260.00
72-PLX-A	GX-3R Pro,LEL/CO(-H2),with alkaline battery pack	860.00
72-PLX-B	GX-3R Pro,LEL/CO(-H2),with alkaline and Li-Ion battery packs,100-240 VAC charger.....	1,170.00
72-PLX-C	GX-3R Pro,LEL/CO(-H2),with Li-Ion battery & 100-240 VAC charger.....	1,045.00
72-PLX-D	GX-3R Pro,LEL/CO(-H2),with Li-Ion battery & 12 VDC charger	1,020.00
72-PMA-A	GX-3R Pro,O2/CO(-H2)/CO2(10k ppm),with alkaline battery pack	1,260.00
72-PMA-B	GX-3R Pro,O2/CO(-H2)/CO2(10k ppm),with alkaline and Li-Ion battery packs,100-240 VAC charger ...	1,570.00
72-PMA-C	GX-3R Pro,O2/CO(-H2)/CO2(10k ppm),with Li-Ion battery & 100-240 VAC charger	1,445.00
72-PMA-D	GX-3R Pro,O2/CO(-H2)/CO2(10k ppm),with Li-Ion battery & 12 VDC charger	1,420.00
72-PMB-A	GX-3R Pro,O2/CO(-H2)/CO2(10%),with alkaline battery pack	1,260.00
72-PMB-B	GX-3R Pro,O2/CO(-H2)/CO2(10%),with alkaline and Li-Ion battery packs,100-240 VAC charger	1,570.00
72-PMB-C	GX-3R Pro,O2/CO(-H2)/CO2(10%),with Li-Ion battery & 100-240 VAC charger	1,445.00
72-PMB-D	GX-3R Pro,O2/CO(-H2)/CO2(10%),with Li-Ion battery & 12 VDC charger.....	1,420.00
72-PMC-A	GX-3R Pro,O2/CO(-H2)/SO2,with alkaline battery pack	1,100.00
72-PMC-B	GX-3R Pro,O2/CO(-H2)/SO2,with alkaline and Li-Ion battery packs,100-240 VAC charger	1,410.00
72-PMC-C	GX-3R Pro,O2/CO(-H2)/SO2,with Li-Ion battery & 100-240 VAC charger	1,285.00
72-PMC-D	GX-3R Pro,O2/CO(-H2)/SO2,with Li-Ion battery & 12 VDC charger	1,260.00
72-PMX-A	GX-3R Pro,O2/CO(-H2),with alkaline battery pack	860.00
72-PMX-B	GX-3R Pro,O2/CO(-H2),with alkaline and Li-Ion battery packs,100-240 VAC charger	1,170.00
72-PMX-C	GX-3R Pro,O2/CO(-H2),with Li-Ion battery & 100-240 VAC charger	1,045.00
72-PMX-D	GX-3R Pro,O2/CO(-H2),with Li-Ion battery & 12 VDC charger	1,020.00
72-PNA-A	GX-3R Pro,H2S/CO/CO2(10k ppm),with alkaline battery pack	1,145.00
72-PNA-B	GX-3R Pro,H2S/CO/CO2(10k ppm),with alkaline and Li-Ion battery packs,100-240 VAC charger	1,455.00
72-PNA-C	GX-3R Pro,H2S/CO/CO2(10k ppm),with Li-Ion battery & 100-240 VAC charger	1,330.00
72-PNA-D	GX-3R Pro,H2S/CO/CO2(10k ppm),with Li-Ion battery & 12 VDC charger	1,305.00
72-PNB-A	GX-3R Pro,H2S/CO/CO2(10%),with alkaline battery pack.....	1,145.00
72-PNB-B	GX-3R Pro,H2S/CO/CO2(10%),with alkaline and Li-Ion battery packs,100-240 VAC charger	1,455.00
72-PNB-C	GX-3R Pro,H2S/CO/CO2(10%),with Li-Ion battery & 100-240 VAC charger	1,330.00
72-PNB-D	GX-3R Pro,H2S/CO/CO2(10%),with Li-Ion battery & 12 VDC charger	1,305.00
72-PNC-A	GX-3R Pro,H2S/CO/SO2,with alkaline battery pack	985.00
72-PNC-B	GX-3R Pro,H2S/CO/SO2,with alkaline and Li-Ion battery packs,100-240 VAC charger	1,295.00
72-PNC-C	GX-3R Pro,H2S/CO/SO2,with Li-Ion battery & 100-240 VAC charger	1,170.00
72-PNC-D	GX-3R Pro,H2S/CO/SO2,with Li-Ion battery & 12 VDC charger.....	1,145.00
72-PNX-A	GX-3R Pro,H2S/CO,with alkaline battery pack	745.00
72-PNX-B	GX-3R Pro,H2S/CO,with alkaline and Li-Ion battery packs,100-240 VAC charger	1,055.00
72-PNX-C	GX-3R Pro,H2S/CO,with Li-Ion battery & 100-240 VAC charger	930.00
72-PNX-D	GX-3R Pro,H2S/CO,with Li-Ion battery & 12 VDC charger	905.00
72-POA-A	GX-3R Pro,LEL/CO2(10k ppm),with alkaline battery pack	1,120.00
72-POA-B	GX-3R Pro,LEL/CO2(10k ppm),with alkaline and Li-Ion battery packs,100-240 VAC charger	1,430.00
72-POA-C	GX-3R Pro,LEL/CO2(10k ppm),with Li-Ion battery & 100-240 VAC charger	1,305.00
72-POA-D	GX-3R Pro,LEL/CO2(10k ppm),with Li-Ion battery & 12 VDC charger	1,280.00
72-POB-A	GX-3R Pro,LEL/CO2(10%),with alkaline battery pack	1,120.00
72-POB-B	GX-3R Pro,LEL/CO2(10%),with alkaline and Li-Ion battery packs,100-240 VAC charger	1,430.00
72-POB-C	GX-3R Pro,LEL/CO2(10%),with Li-Ion battery & 100-240 VAC charger	1,305.00
72-POB-D	GX-3R Pro,LEL/CO2(10%),with Li-Ion battery & 12 VDC charger	1,280.00
72-POC-A	GX-3R Pro,LEL/SO2,with alkaline battery pack	960.00
72-POC-B	GX-3R Pro,LEL/SO2,with alkaline and Li-Ion battery packs,100-240 VAC charger	1,270.00
72-POC-C	GX-3R Pro,LEL/SO2,with Li-Ion battery & 100-240 VAC charger	1,135.00
72-POC-D	GX-3R Pro,LEL/SO2,with Li-Ion battery & 12 VDC charger	1,120.00
72-POG-C	GX-3R Pro,LEL/NH3,with Li-Ion battery & 100-240 VAC charger	1,145.00
72-POX-A	GX-3R Pro,LEL,with alkaline battery pack	720.00
72-POX-B	GX-3R Pro,LEL,with alkaline and Li-Ion battery packs,100-240 VAC charger	1,030.00
72-POX-C	GX-3R Pro,LEL,with Li-Ion battery & 100-240 VAC charger	905.00
72-POX-D	GX-3R Pro,LEL,with Li-Ion battery & 12 VDC charger	880.00
72-PPA-A	GX-3R Pro,O2/CO2(10k ppm),with alkaline battery pack	1,120.00
72-PPA-B	GX-3R Pro,O2/CO2(10k ppm),with alkaline and Li-Ion battery packs,100-240 VAC charger	1,430.00

Numerical Index

Part#	Description	Suggested Retail
72-PPA-C	GX-3R Pro,O2/CO2(10k ppm),with Li-Ion battery & 100-240 VAC charger	1,305.00
72-PPA-D	GX-3R Pro,O2/CO2(10k ppm),with Li-Ion battery & 12 VDC charger	1,280.00
72-PPB-A	GX-3R Pro,O2/CO2(10%),with alkaline battery pack.....	1,120.00
72-PPB-B	GX-3R Pro,O2/CO2(10%),with alkaline and Li-Ion battery packs,100-240 VAC charger	1,430.00
72-PPB-C	GX-3R Pro,O2/CO2(10%),with Li-Ion battery & 100-240 VAC charger	1,305.00
72-PPB-D	GX-3R Pro,O2/CO2(10%),with Li-Ion battery & 12 VDC charger	1,280.00
72-PPB-E	GX-3R Pro,O2/CO2(10%),with Li-Ion battery	1,255.00
72-PPC-A	GX-3R Pro,O2/SO2,with alkaline battery pack	960.00
72-PPC-B	GX-3R Pro,O2/SO2,with alkaline and Li-Ion battery packs,100-240 VAC charger	1,270.00
72-PPC-C	GX-3R Pro,O2/SO2,with Li-Ion battery & 100-240 VAC charger	1,140.00
72-PPC-D	GX-3R Pro,O2/SO2,with Li-Ion battery & 12 VDC charger	1,120.00
72-PPX-A	GX-3R Pro,O2,with alkaline battery pack	720.00
72-PPX-B	GX-3R Pro,O2,with alkaline and Li-Ion battery packs,100-240 VAC charger	1,030.00
72-PPX-C	GX-3R Pro,O2,with Li-Ion battery & 100-240 VAC charger	905.00
72-PPX-D	GX-3R Pro,O2,with Li-Ion battery & 12 VDC charger	880.00
72-PQA-A	GX-3R Pro,H2S/CO2(10k ppm),with alkaline battery pack	1,120.00
72-PQA-B	GX-3R Pro,H2S/CO2(10k ppm),with alkaline and Li-Ion battery packs,100-240 VAC charger	1,430.00
72-PQA-C	GX-3R Pro,H2S/CO2(10k ppm),with Li-Ion battery & 100-240 VAC charger	1,305.00
72-PQA-D	GX-3R Pro,H2S/CO2(10k ppm),with Li-Ion battery & 12 VDC charger	1,280.00
72-PQB-A	GX-3R Pro,H2S/CO2(10%),with alkaline battery pack	1,120.00
72-PQB-B	GX-3R Pro,H2S/CO2(10%),with alkaline and Li-Ion battery packs,100-240 VAC charger.....	1,430.00
72-PQB-C	GX-3R Pro,H2S/CO2(10%),with Li-Ion battery & 100-240 VAC charger	1,305.00
72-PQB-D	GX-3R Pro,H2S/CO2(10%),with Li-Ion battery & 12 VDC charger	1,280.00
72-PQC-A	GX-3R Pro,H2S/SO2,with alkaline battery pack.....	960.00
72-PQC-B	GX-3R Pro,H2S/SO2,with alkaline and Li-Ion battery packs,100-240 VAC charger	1,270.00
72-PQC-C	GX-3R Pro,H2S/SO2,with Li-Ion battery & 100-240 VAC charger	1,145.00
72-PQC-D	GX-3R Pro,H2S/SO2,with Li-Ion battery & 12 VDC charger	1,120.00
72-PQX-A	GX-3R Pro,H2S,with alkaline battery pack.....	720.00
72-PQX-B	GX-3R Pro,H2S,with alkaline and Li-Ion battery packs,100-240 VAC charger	1,030.00
72-PQX-C	GX-3R Pro,H2S,with Li-Ion battery & 100-240 VAC charger	905.00
72-PQX-D	GX-3R Pro,H2S,with Li-Ion battery & 12 VDC charger	880.00
72-PRA-A	GX-3R Pro,CO/CO2(10k ppm),with alkaline battery pack	1,120.00
72-PRA-B	GX-3R Pro,CO/CO2(10k ppm),with alkaline and Li-Ion battery packs,100-240 VAC charger	1,430.00
72-PRA-C	GX-3R Pro,CO/CO2(10k ppm),with Li-Ion battery & 100-240 VAC charger	1,305.00
72-PRA-D	GX-3R Pro,CO/CO2(10k ppm),with Li-Ion battery & 12 VDC charger	1,280.00
72-PRB-A	GX-3R Pro,CO/CO2(10%),with alkaline battery pack.....	1,120.00
72-PRB-B	GX-3R Pro,CO/CO2(10%),with alkaline and Li-Ion battery packs,100-240 VAC charger	1,430.00
72-PRB-C	GX-3R Pro,CO/CO2(10%),with Li-Ion battery & 100-240 VAC charger	1,305.00
72-PRB-D	GX-3R Pro,CO/CO2(10%),with Li-Ion battery & 12 VDC charger	1,280.00
72-PRC-A	GX-3R Pro,CO/SO2 with alkaline battery pack	960.00
72-PRC-B	GX-3R Pro,CO/SO2 with alkaline and Li-Ion battery packs,100-240 VAC charger	1,270.00
72-PRC-C	GX-3R Pro,CO/SO2 with Li-Ion battery & 100-240 VAC charger	1,145.00
72-PRC-D	GX-3R Pro,CO/SO2 with Li-Ion battery & 12 VDC charger.....	1,120.00
72-PRD-C	GX-3R Pro,CO/NO2,with Li-Ion battery & 100-240 VAC charger	1,170.00
72-PRE-C	GX-3R Pro,CO/HcN,with Li-Ion battery & 100-240 VAC charger	1,145.00
72-PRG-C	GX-3R Pro,CO/NH3,with Li-Ion battery & 100-240 VAC charger	1,170.00
72-PRX-A	GX-3R Pro,CO,with alkaline battery pack	720.00
72-PRX-B	GX-3R Pro,CO,with alkaline and Li-Ion battery packs,100-240 VAC charger	1,030.00
72-PRX-C	GX-3R Pro,CO,with Li-Ion battery & 100-240 VAC charger	905.00
72-PRX-D	GX-3R Pro,CO,with Li-Ion battery & 12 VDC charger	880.00
72-PSA-A	GX-3R Pro,CO(-H2)/CO2(10k ppm),with alkaline battery pack	1,235.00
72-PSA-B	GX-3R Pro,CO(-H2)/CO2(10k ppm),with alkaline and Li-Ion battery packs,100-240 VAC charger	1,545.00
72-PSA-C	GX-3R Pro,CO(-H2)/CO2(10k ppm),with Li-Ion battery & 100-240 VAC charger	1,420.00
72-PSA-D	GX-3R Pro,CO(-H2)/CO2(10k ppm),with Li-Ion battery & 12 VDC charger	1,395.00
72-PSB-A	GX-3R Pro,CO(-H2)/CO2(10%),with alkaline battery pack	1,235.00
72-PSB-B	GX-3R Pro,CO(-H2)/CO2(10%),with alkaline and Li-Ion battery packs,100-240 VAC charger	1,545.00
72-PSB-C	GX-3R Pro,CO(-H2)/CO2(10%),with Li-Ion battery & 100-240 VAC charger	1,420.00
72-PSB-D	GX-3R Pro,CO(-H2)/CO2(10%),with Li-Ion battery & 12 VDC charger	1,395.00
72-PSC-A	GX-3R Pro,CO(-H2)/SO2,with alkaline battery pack	1,075.00
72-PSC-B	GX-3R Pro,CO(-H2)/SO2,with alkaline and Li-Ion battery packs,100-240 VAC charger	1,385.00
72-PSC-C	GX-3R Pro,CO(-H2)/SO2,with Li-Ion battery & 100-240 VAC charger	1,260.00

Numerical Index

Part#	Description	Suggested Retail
72-PSC-D	GX-3R Pro,CO(-H2)/SO2,with Li-Ion battery & 12 VDC charger.....	1,235.00
72-PSX-A	GX-3R Pro,CO(-H2),with alkaline battery pack	835.00
72-PSX-B	GX-3R Pro,CO(-H2),with alkaline and Li-Ion battery packs,100-240 VAC charger	1,145.00
72-PSX-C	GX-3R Pro,CO(-H2),with Li-Ion battery & 100-240 VAC charger	1,020.00
72-PSX-D	GX-3R Pro,CO(-H2),with Li-Ion battery & 12 VDC charger.....	995.00
72-PTA-A	GX-3R Pro,O2/H2S/CO2(10k ppm),with alkaline battery pack	1,145.00
72-PTA-B	GX-3R Pro,O2/H2S/CO2(10k ppm),with alkaline and Li-Ion battery packs,100-240 VAC charger	1,455.00
72-PTA-C	GX-3R Pro,O2/H2S/CO2(10k ppm),with Li-Ion battery & 100-240 VAC charger	1,330.00
72-PTA-D	GX-3R Pro,O2/H2S/CO2(10k ppm),with Li-Ion battery & 12 VDC charger	1,305.00
72-PTB-A	GX-3R Pro,O2/H2S/CO2(10%),with alkaline battery pack.....	1,145.00
72-PTB-B	GX-3R Pro,O2/H2S/CO2(10%),with alkaline and Li-Ion battery packs,100-240 VAC charger	1,455.00
72-PTB-C	GX-3R Pro,O2/H2S/CO2(10%),with Li-Ion battery & 100-240 VAC charger	1,330.00
72-PTB-D	GX-3R Pro,O2/H2S/CO2(10%),with Li-Ion battery & 12 VDC charger	1,305.00
72-PTC-A	GX-3R Pro,O2/H2S/SO2,with alkaline battery pack	985.00
72-PTC-B	GX-3R Pro,O2/H2S/SO2,with alkaline and Li-Ion battery packs,100-240 VAC charger	1,295.00
72-PTC-C	GX-3R Pro,O2/H2S/SO2,with Li-Ion battery & 100-240 VAC charger	1,170.00
72-PTC-D	GX-3R Pro,O2/H2S/SO2,with Li-Ion battery & 12 VDC charger.....	1,145.00
72-PTX-A	GX-3R Pro,O2/H2S,with alkaline battery pack	745.00
72-PTX-B	GX-3R Pro,O2/H2S,with alkaline and Li-Ion battery packs,100-240 VAC charger	1,055.00
72-PTX-C	GX-3R Pro,O2/H2S,with Li-Ion battery & 100-240 VAC charger	930.00
72-PTX-D	GX-3R Pro,O2/H2S,with Li-Ion battery & 12 VDC charger	905.00
72-PUA-A	GX-3R Pro,Oxy/CO/CO2(10000 ppm),with alkaline battery pack.....	1,145.00
72-PUA-B	GX-3R Pro,Oxy/CO/CO2(10000 ppm),with alkaline and Li-Ion battery packs,100-240 VAC charger	1,455.00
72-PUA-C	GX-3R Pro,Oxy/CO/CO2(10000 ppm),with Li-Ion battery & 100-240 VAC charger	1,330.00
72-PUA-D	GX-3R Pro,Oxy/CO/CO2(10000 ppm),with Li-Ion battery & 12 VDC charger	1,305.00
72-PUB-A	GX-3R Pro,O2/CO/CO2(10%),with alkaline battery pack	1,145.00
72-PUB-B	GX-3R Pro,O2/CO/CO2(10%),with alkaline and Li-Ion battery packs,100-240 VAC charger	1,455.00
72-PUB-C	GX-3R Pro,O2/CO/CO2(10%),with Li-Ion battery & 100-240 VAC charger	1,330.00
72-PUB-D	GX-3R Pro,O2/CO/CO2(10%),with Li-Ion battery & 12 VDC charger.....	1,305.00
72-PUC-A	GX-3R Pro,O2/CO/SO2,with alkaline battery pack	985.00
72-PUC-B	GX-3R Pro,O2/CO/SO2,with alkaline and Li-Ion battery packs,100-240 VAC charger	1,295.00
72-PUC-C	GX-3R Pro,O2/CO/SO2,with Li-Ion battery & 100-240 VAC charger	1,170.00
72-PUC-D	GX-3R Pro,O2/CO/SO2,with Li-Ion battery & 12 VDC charger	1,145.00
72-PUG-C	GX-3R Pro,O2/CO/NH3,with Li-Ion battery & 100-240 VAC charger	1,170.00
72-PUX-A	GX-3R Pro,O2/CO,with alkaline battery pack.....	745.00
72-PUX-B	GX-3R Pro,O2/CO,with alkaline and Li-Ion battery packs,100-240 VAC charger	1,055.00
72-PUX-C	GX-3R Pro,O2/CO,with Li-Ion battery & 100-240 VAC charger	930.00
72-PUX-D	GX-3R Pro,O2/CO,with Li-Ion battery & 12 VDC charger	905.00
72-PWB-C	GX-3R Pro,Oxy/SO2/CO2(10%),with Li-Ion battery & 100-240 VAC charger	1,500.00
72-PWG-C	GX-3R Pro,Oxy/SO2/NH3,with Li-Ion battery & 100-240 VAC charger	1,340.00
72-PXA-A	GX-3R Pro,CO2(10000 ppm),with alkaline battery pack	1,095.00
72-PXA-B	GX-3R Pro,CO2(10000 ppm),with alkaline and Li-Ion battery packs,100-240 VAC charger.....	1,405.00
72-PXA-C	GX-3R Pro, 1 gas, PPM CO2 0-10,000 ppm with 100-240 VAC charger	1,280.00
72-PXA-D	GX-3R Pro,CO2(10000 ppm),with Li-Ion battery & 12 VDC charger	1,255.00
72-PXA-F	GX-3R Pro,CO2(10000 ppm),with Li-Ion battery/100-240 VAC & 12 VDC chargers	1,305.00
72-PXB-A	GX-3R Pro,CO2(10%),with alkaline battery pack	1,095.00
72-PXB-B	GX-3R Pro,CO2(10%),with alkaline and Li-Ion battery packs,100-240 VAC charger.....	1,405.00
72-PXB-C	GX-3R Pro, 1 gas, % CO2 0-10% volume with 100-240 VAC charger.....	1,280.00
72-PXB-D	GX-3R Pro,CO2(10%),with Li-Ion battery & 12 VDC charger	1,255.00
72-PXC-A	GX-3R Pro,SO2,with alkaline battery pack.....	935.00
72-PXC-B	GX-3R Pro,SO2,with alkaline and Li-Ion battery packs,100-240 VAC charger	1,245.00
72-PXC-C	GX-3R Pro,SO2,with Li-Ion battery & 100-240 VAC charger	1,120.00
72-PXC-D	GX-3R Pro,SO2,with Li-Ion battery & 12 VDC charger	1,095.00
72-PXE-A	GX-3R Pro,HcN,w/alkaline battery pack	935.00
72-PXF-C	GX-3R Pro,PH3,with Li-Ion battery & 100-240 VAC charger	1,120.00
72-PXG-C	GX-3R Pro,NH3,with Li-Ion battery & 100-240 VAC charger	1,120.00
72-RA-C	GX-3R, 4 gas, LEL / O2 / combo H2S & CO with 100-240 VAC charger	595.00
72-RA-C-50	GX-3R for LEL/O2/CO/H2S bundled with 100-240 VAC charger, screwdriver and carrying case	680.00
72-RA-C-51	GX-3R for LEL/O2/CO/H2S bundled with hand aspirator, 100-240 VAC charger, screwdriver and carrying case	885.00

Numerical Index

Part#	Description	Suggested Retail
72-RA-C-56	GX-3R for LEL/O2/CO/H2S bundled with 100-240 VAC charger, 34AL cylinder CH4/O2/H2S/CO, 0.25 LPM regulator, tubing, screwdriver, and carrying case	1,080.00
72-RA-C-56-H	GX-3R,LEL/Oxy/H2S/CO,with alligator clip/100-240 VAC charger,hexane cal kit.....	1,080.00
72-RA-C-56-PEN	GX-3R,LEL/Oxy/H2S/CO,with alligator clip/100-240 VAC charger,pentane cal kit	1,080.00
72-RA-C-58	GX-3R for LEL/O2/CO/H2S bundled with RP-3R, 10' hose & probe, 100-240 VAC charger, screwdriver and carrying case	1,140.00
72-RA-C-58-20	GX-3R confined space kit,LEL/Oxy/H2S/CO,pump with 20 ft hose and probe	1,145.00
72-RA-C-59	GX-3R for LEL/O2/CO/H2S bundled with RP-3R, 10' hose & probe, 100-240 VAC charger, 34AL cylinder CH4/O2/H2S/CO, 0.25 LPM regulator, tubing, screwdriver, and carrying case	1,500.00
72-RA-C-59-NGR	GX-3R confined space kit,LEL/Oxy/H2S/CO,pump with 10 ft hose and probe,3 ft tube, no gas or regulator.....	1,215.00
72-RA-C-MED	GX-3R, 4 gas, LEL / O2 / combo H2S & CO with 100-240 VAC charger with MED version	795.00
72-RA-D	GX-3R,LEL/Oxy/H2S/CO,with alligator clip/12 VDC charger	595.00
72-RA-D-50	GX-3R,LEL/Oxy/H2S/CO,with alligator clip/12 VDC charger and small carrying case	680.00
72-RA-D-58	GX-3R confined space kit,LEL/Oxy/H2S/CO,pump with 10 ft hose and probe	1,120.00
72-RA-D-CSU	GX-3R,LEL/Oxy/H2S/CO,with alligator clip/12 VDC charger, w/CSU settings	595.00
72-RA-E	GX-3R,LEL/Oxy/H2S/CO,with alligator clip,no charger	545.00
72-RA-F	GX-3R,LEL/Oxy/H2S/CO,with alligator clip/100-240 VAC & 12 VDC chargers	645.00
72-RB-C	GX-3R, 3 gas, LEL / O2 / H2S with 100-240 VAC charger	595.00
72-RC-C	GX-3R, 3 gas, LEL / O2 / CO with 100-240 VAC charger	595.00
72-RC-E	GX-3R,LEL/Oxy/CO,with alligator clip,no charger	545.00
72-RD-C	GX-3R,LEL/Oxy/CO(H2 compensated),with alligator clip/100-240 VAC charger	665.00
72-RG-C	GX-3R, 2 gas, LEL / O2 with 100-240 VAC charger	545.00
72-RH-C	GX-3R,LEL/H2S,with alligator clip/100-240 VAC charger	570.00
72-RI-C	GX-3R, 2 gas, LEL / CO with 100-240 VAC charger	570.00
72-RL-C	GX-3R,CO/H2S,with alligator clip/100-240 VAC charger	545.00
72-RM-C	GX-3R,LEL,with alligator clip/100-240 VAC charger	520.00
72-RN-C	GX-3R,Oxy,with alligator clip/100-240 VAC charger	520.00
72-RP-C	GX-3R,CO,with alligator clip/100-240 VAC charger	545.00
72-RQ-C	GX-3R,CO(H2 compensated),with alligator clip/100-240 VAC charger	715.00
72-RR-C	GX-3R,Oxy/CO,with alligator clip/100-240 VAC charger	570.00
73-0022	GasWatch 3, H2S, with alligator clip	195.00
73-0022-01	GasWatch 3, H2S, with wrist band	195.00
73-0023	GasWatch 3, CO, Electrochemical sensor, with alligator clip	195.00
73-0023-01	GasWatch 3, CO, Electrochemical sensor, with wrist band	195.00
73-0025	GasWatch 3, CO with H2 compensated sensor, with alligator clip	495.00
73-0025-01	GasWatch 3, CO with H2 compensated sensor, with wrist band	495.00
73-0026	GasWatch 3, CO/O2 combination, with alligator clip	495.00
73-0026-01	GasWatch 3, CO/O2 combination, with wrist band	495.00
73-0052-ASH3	SC-8000 toxic gas detector,arsine,0-0.20 ppm,alkaline type	2,300.00
73-0052-CLF3	SC-8000 toxic gas detector,ClF3,0-0.300 ppm,alkaline type	2,300.00
73-0052-DMA	SC-8000 toxic gas detector,DMA (dimethylamine),0-15.0 ppm,alkaline type	2,300.00
73-0052-H2O2	SC-8000 toxic gas detector,H2O2,0-3.00 ppm,alkaline type	2,300.00
73-0052-H2O2-01	SC-8000 toxic gas detector,H2O2,0-0.500 ppm,alkaline type	2,300.00
73-0052-HCL-15	SC-8000 toxic gas detector,hydrogen chloride,0-15.0 ppm,alkaline type	2,300.00
73-0052-HF	SC-8000 toxic gas detector,hydrogen fluoride,0-9.00 ppm,alkaline type	2,300.00
73-0053-ASH3	SC-8000 toxic gas detector,arsine,0-0.20 ppm,Li-ion type	2,500.00
73-0053-GEH4	SC-8000 toxic gas detector,germane,0-0.80 ppm,Li-ion type	2,500.00
73-0053-H2O2	SC-8000 toxic gas detector, hydrogen peroxide (H2O2), 0-3.00 ppm, Li-ion type	2,500.00
73-0053-H2O2-01	SC-8000 toxic gas detector,H2O2,0-0.5 ppm,Li-ion type	2,500.00
73-0053-HCL	SC-8000 toxic gas detector,hydrogen chloride,15,0 ppm,Li-ion type	2,500.00
73-0053-HNO3	SC-8000 toxic gas detector,HNO3,0-20.0 ppm,Li-ion type	2,500.00
73-0053-NH3	SC-8000 toxic gas detector,ammonia,0-75.0 ppm,Li-ion type	2,500.00
73-0053-O3	SC-8000 toxic gas detector,ozone,0-1.00 ppm,Li-ion type	2,500.00
73-0063	HS-04, Hydrogen Sulfide (H2S) 0-200 ppm, alkaline batteries and alligator clip.....	195.00
73-0065	CO-04, Carbon Monoxide (CO) 0-2000 ppm, alkaline batteries and alligator clip	195.00
73-0067	CO-04C, Carbon Monoxide (CO) 0-2,000 ppm with H2 compensation, alkaline batteries and alligator clip	495.00
73-0069	CX-04, Carbon Monoxide (CO) 0-2,000 ppm and Oxygen (O2) 0-25%, alkaline batteries with alligator clip	495.00
73-0071	SC-04, Hydrogen Cyanide (HCN) 0-30 ppm, alkaline batteries with alligator clip	495.00
73-0073	SC-04, Nitrogen Dioxide (NO2) 0-20 ppm, alkaline batteries with alligator clip	495.00
73-0075	SC-04, Chlorine (Cl2), 0-20 ppm, alkaline batteries with alligator clip	495.00

Numerical Index

Part#	Description	Suggested Retail
73-0077	SC-04, Ammonia (NH3), 0-400 ppm, alkaline batteries with alligator clip	495.00
73-0079	SC-04, Phosphine (PH3) 0-20.00 ppm, alkaline batteries with alligator clip	495.00
73-0081	SC-04, Sulfur Dioxide (SO2) 0-100 ppm, alkaline batteries with alligator clip	495.00
73-0615	RX-8000, 0-100% LEL & 0-100% vol CH4, & 0-25% O2, land version (methane calibration) with alkaline battery pack	2,395.00
73-0615C	RX-8000, 0-100% LEL & 0-100% vol CH4, & 0-25% O2, land version (methane calibration) with lithium ion battery pack and 115 / 220 VAC charger	2,440.00
73-0616	RX-8000, 0-100% LEL & 0-100% vol HC, & 0-25% O2, (isobutane calibration) with alkaline battery pack	2,395.00
73-0616C	RX-8000, 0-100% LEL & 0-100% vol HC, & 0-25% O2, (isobutane calibration) with lithium ion battery pack and 115 / 220 VAC charger	2,440.00
73-0617	RX-8000, 0-100% LEL & 0-100% vol CH4 (methane calibration) with alkaline battery pack	2,295.00
73-0617C	RX-8000, 0-100% LEL & 0-100% vol CH4 (methane calibration) with lithium ion battery pack and 115 / 220 VAC charger	2,340.00
73-0618	RX-8000, 0-100% LEL & 0-100% vol HC (isobutane calibration) with alkaline battery pack	2,295.00
73-0618C	RX-8000, 0-100% LEL & 0-100% vol HC (isobutane calibration) with lithium ion battery pack and 115 / 220 VAC charger	2,340.00
73-0620	RX-8500, 0-100% LEL & 0-100% Vol CH4 (methane calibration) / 0-40% oxygen / 0-1000 ppm CO /0-20% CO2 with Li-Ion battery and charger	3,250.00
73-0622	RX-8700, 0-100% LEL & 0-100% Vol HC (isobutane calibration) / 0-40% Oxy / 0-100 ppm H2S & 0-1,000 ppm H2S,with Li-Ion battery & charger	3,250.00
73-0622-MED	RX-8700,0-100% LEL/0-100% Vol HC/0-40% Oxy/0-100 ppm H2S/0-1,000 ppm H2S,Li-Ion & chgr, MED version	3,250.00
73-1020RK-01	PS 2 for LEL detection, 24 VDC powered	450.00
73-1021RK-01	PS 2 for LEL detection, 115 VAC powered	450.00
73-1022RK-01	PS 2 for LEL detection, 48 VDC powered	525.00
73-1063	Model FP-31 (15 & 30 minute averages) Formaldehyde monitor	1,050.00
73-1202	EC-600 carbon monoxide monitor, 0-150 ppm, battery operated (2 AA batteries)	945.00
73-1202-03	EC-600 carbon monoxide monitor, 0-150 ppm, battery operated (2 AA batteries) with 3 meter sensor cable installed.....	1,085.00
73-1202-03-CSA	EC-600 carbon monoxide monitor, 0-150 ppm, battery operated (2 AA batteries) with 3 meter sensor cable installed, CSA version	1,200.00
73-1202-05	EC-600 carbon monoxide monitor, 0-150 ppm, battery operated (2 AA batteries) with 5 meter sensor cable installed.....	1,105.00
73-1202-05-CSA	EC-600 carbon monoxide monitor, 0-150 ppm, battery operated (2 AA batteries) with 5 meter sensor cable installed, CSA version	1,120.00
73-1202-10	EC-600 carbon monoxide monitor, 0-150 ppm, battery operated (2 AA batteries) with 10 meter sensor cable installed.....	1,145.00
73-1202-10-CSA	EC-600 carbon monoxide monitor, 0-150 ppm, battery operated (2 AA batteries) with 10 meter sensor cable installed, CSA version	1,160.00
73-1202-20	EC-600 carbon monoxide monitor, 0-150 ppm, battery operated (2 AA batteries) with 20 meter sensor cable installed.....	1,245.00
73-1202-20-CSA	EC-600 carbon monoxide monitor, 0-150 ppm, battery operated (2 AA batteries) with 20 meter sensor cable installed, CSA version	1,260.00
73-1202-CSA	EC-600 carbon monoxide monitor, 0-150 ppm, battery operated (2 AA batteries), CSA version	960.00
73-1203	EC-600 carbon monoxide monitor, 0-150 ppm, 24 VDC operation	945.00
73-1203-03	EC-600 carbon monoxide monitor, 0-150 ppm, 24 VDC operation with 3 meter sensor cable	1,085.00
73-1203-03-CSA	EC-600 carbon monoxide monitor, 0-150 ppm, 24 VDC operation with 3 meter sensor cable, CSA version.....	1,100.00
73-1203-05	EC-600 carbon monoxide monitor, 0-150 ppm, 24 VDC operation with 5 meter sensor cable	1,105.00
73-1203-05-CSA	EC-600 carbon monoxide monitor, 0-150 ppm, 24 VDC operation with 5 meter sensor cable, CSA version.....	1,120.00
73-1203-10	EC-600 carbon monoxide monitor, 0-150 ppm, 24 VDC operation with 10 meter sensor cable	1,145.00
73-1203-10-CSA	EC-600 carbon monoxide monitor, 0-150 ppm, 24 VDC operation with 10 meter sensor cable, CSA version.....	1,160.00
73-1203-20	EC-600 CO monitor, 0-150 ppm, 24 VDC operated with 20 meter extender cable	1,245.00
73-1203-20-CSA	EC-600 carbon monoxide monitor, 0-150 ppm, 24 VDC operation with 20 meter sensor cable, CSA version.....	1,260.00
73-1203-CSA	EC-600 carbon monoxide monitor, 0-150 ppm, 24 VDC operation, CSA version	960.00
73-1204	EC-600 carbon monoxide, 0-150 ppm, 115 VAC operation & power cord	945.00
73-1204-03	EC-600 carbon monoxide, 0-150 ppm, 115 VAC operation, 3 meter sensor cable & power cord	1,085.00

Numerical Index

Part#	Description	Suggested Retail
73-1204-03-CSA	EC-600 carbon monoxide monitor, 0-150 ppm, 115 VAC operation with 3 meter sensor cable, CSA version.....	1,100.00
73-1204-05	EC-600 carbon monoxide, 0-150 ppm, 115 VAC operation, 5 meter sensor cable & power cord	1,105.00
73-1204-05-CSA	EC-600 carbon monoxide monitor, 0-150 ppm, 115 VAC operation with 5 meter sensor cable, CSA version.....	1,120.00
73-1204-10	EC-600 carbon monoxide, 0-150 ppm, 115 VAC operation, 10 meter sensor cable & power cord	1,145.00
73-1204-10-CSA	EC-600 carbon monoxide monitor, 0-150 ppm, 115 VAC operation with 10 meter sensor cable, CSA version.....	1,160.00
73-1204-20	EC-600 carbon monoxide, 0-150 ppm, 115 VAC operation, 20 meter sensor cable & power cord	1,245.00
73-1204-20-CSA	EC-600 carbon monoxide monitor, 0-150 ppm, 115 VAC operation with 20 meter sensor cable, CSA version.....	1,260.00
73-1204-CSA	EC-600 carbon monoxide monitor, 0-150 ppm, 115 VAC operation, CSA version	960.00
73-1205-02K	RI-600 carbon dioxide monitor, 0-2000 ppm, 24 VDC operation	980.00
73-1205-05K	RI-600 carbon dioxide monitor, 0-5000 ppm, 24 VDC operation	980.00
73-1205-10K	RI-600 carbon dioxide monitor, 0-10,000 ppm, 24 VDC operation	980.00
73-1205-20K	RI-600 carbon dioxide monitor, 0-2.00%, 24 VDC operation	980.00
73-1205-50K	RI-600 carbon dioxide monitor, 0-5.00%, 24 VDC operation	980.00
73-1206-02K	RI-600 carbon dioxide monitor, 0-2000 ppm, 115 VAC operation and power cord.....	980.00
73-1206-05K	RI-600 carbon dioxide monitor, 0-5000 ppm, 115 VAC operation and power cord.....	980.00
73-1206-10K	RI-600 carbon dioxide monitor, 0-10,000 ppm, 115 VAC operation and power cord	980.00
73-1206-20K	RI-600 carbon dioxide monitor, 0-2.00%, 115 VAC operation and power cord	980.00
73-1206-50K	RI-600 carbon dioxide monitor, 0-5.00%, 115 VAC operation and power cord	980.00
73-4021-33-01	FI-8000 for fumigation, hand aspirated type with alkaline batteries, 48 mm chamber length, 0-100% NH3	4,600.00
73-4021-XX-01	FI-8000 for fumigation, hand aspirated type with alkaline batteries, 48 mm chamber length, specify gas and range.....	4,600.00
73-4022-02-01	FI-8000,pump type,alkaline batteries,fumigation,0-200 g/m3 sulfuryl flouride (SO2F2)	4,600.00
73-4022-XX-01	FI-8000 for fumigation, pump type with alkaline batteries, 48 mm chamber length, specify gas and range	4,600.00
73-4024-21-01	FI-8000,pump type,lithium ion battery pack,anesthetic,0-8% isofluorane	5,150.00
74-429	AirLink 6940 quad transmitter for 2 sensors, explosion proof, battery powered, wireless 900 MHz radio, sensor assemblies selection needed	4,470.00
74-429NXP	AirLink 6940NXP quad transmitter for 2 sensors, non explosion proof, AC powered, wireless 900 MHz radio, sensor assemblies selection needed	2,890.00
74-439	AirLink 6940 quad transmitter for 3 sensors, explosion proof, battery powered, wireless 900 MHz radio, sensor assemblies selection needed	4,470.00
74-439NXP	AirLink 6940NXP quad transmitter for 3 sensors, non explosion proof, AC powered, wireless 900 MHz radio, sensor assemblies selection needed	2,890.00
74-449	AirLink 6940 quad transmitter for 4 sensors, explosion proof, battery powered, wireless 900 MHz radio, sensor assemblies selection needed	4,470.00
74-449NXP	AirLink 6940NXP quad transmitter for 4 sensors, non explosion proof, AC powered, wireless 900 MHz radio, sensor assemblies selection needed	2,890.00
74-7210-A-32	Airlink 7010 controller, 32 channels with 100-240 VAC, 2.4 GHz radio.....	3,200.00
74-7210-A-64	Airlink 7010 controller, 64 channels with 100-240 VAC, 2.4 GHz radio.....	3,200.00
74-7232-A-32	Airlink 7032 controller, 32 channels with 100-240 VAC power, 4 relays, Modbus out, 2.4 GHz radio	4,790.00
74-7232-A-64	Airlink 7032 controller, 64 channels with 100-240 VAC power, 4 relays, Modbus out, 2.4 GHz radio	5,280.00
74-7412-A	AC-7412 Controller, 12 channels, AC powered	4,200.00
74-7464	MC-6400	1,850.00
74-7464-A	MC-6400 Modbus controller, 64 channels with 100-240 VAC power supply, 4 relays, Modbus in/out ...	2,675.00
74-7910-A-32	Airlink 7010 controller, 32 channels with 100-240 VAC, 900 MHz radio	3,200.00
74-7910-A-64	Airlink 7010 controller, 64 channels with 100-240 VAC, 900 MHz radio	3,200.00
74-7932-A-32	Airlink 7032 controller, 32 channels with 100-240 VAC,4 relays, Modbus out, 900 MHz radio	4,790.00
74-7932-A-64	Airlink 7032 controller, 64 channels with 100-240 VAC, 4 relays, Modbus out, 900 MHz radio	5,280.00
74-9100-2	AirLink 9100 Signal strength meter, 2.4 GHz radio, Li-Ion batteries	1,470.00
74-9100-9	AirLink 9100 Signal strength meter, 900 MHz radio, Li-Ion batteries	1,470.00
74-9850-2-A	AirLink 9850 Interface, 255 wireless channels with 100-240 VAC power and 234 GHz radio, RS-232/RS-485 Modbus output	2,750.00
74-9850-9-A	AirLink 9850 Interface, 255 wireless channels with 100-240 VAC power and 900 MHz radio, RS-232/RS-485 Modbus output	2,750.00
74-9850-9-A-0	AirLink 9850 255 channel interface,w/AC power supply,w/ 0 4-20 mA out,w/holes, w/o power cord, 900MHz	2,520.00

Numerical Index

Part#	Description	Suggested Retail
74-9850-9-A-16	AirLink 9850 255 channel interface,w/AC power supply,w/ 16 4-20 mA out,w/holes, w/o power cord,900MHz	3,760.00
74-9850-9-A-24	AirLink 9850 255 channel interface,w/AC power supply,w/ 24 4-20 mA out,w/holes, w/o power cord,900MHz	4,380.00
74-9850-9-A-32	AirLink 9850 255 channel interface,w/AC power supply,w/ 32 4-20 mA out,w/holes, w/o power cord,900MHz	5,000.00
74-9850-9-A-8	AirLink 9850 255 channel interface,w/AC power supply,w/ 8 4-20 mA out,w/holes, w/o power cord,900MHz	3,140.00
75-0004RK	Recorder output board, 8 outputs, 4-20 mA or 1-5 VDC, added to Beacon 800	320.00
75-0004RK-01	Field instal. kit,rec out PCB,1-5 V/4-20 mA,B-800	340.00
75-0005RK	Heavy duty relay board, 4 relays at 30 amps, added to Beacon 800	200.00
75-0006RK	Relay board and recorder output board, added to Beacon 800	480.00
75-0039	Benzene specific upgrade kit with PID-003L sensor, Benzene pre-filter tube holder, and Benzene pre-filter tubes (box of 10 tubes).....	2,300.00
75-0040	11.7 eV PID sensor upgrade kit with PID-004 sensor, dehumidifier tube, and charcoal filter	2,200.00
79-1017-03	Model 1017 explosion proof combustible sample draw, 0-100 % LEL with NC-6245 sensor	1,600.00
79-1017-07	Model 1017 explosion proof combustible sample draw, 0-100 %LEL with IR HC sensor	1,800.00
79-1017F-01	Model 1017 explosion proof oxygen sample draw	1,600.00
80-0006-03	Hose for GX-6000/RX-8500/RX-8700, Teflon lined, 3 ft, no probe	45.00
80-0006-03P	Hose, 3' for GX-6000, Teflon lined with probe attached	75.00
80-0006-03P-01	Hose for GX-6000, Teflon lined, 3 ft, with probe attached,no dust filter	65.00
80-0006-05	Hose for GX-6000, Teflon lined, 5 ft, no probe	50.00
80-0006-05P	Hose, 5' for GX-6000, Teflon lined with probe attached	85.00
80-0006-05P-01	Hose for GX-6000, Teflon lined, 5 ft, with probe attached,no dust filter	75.00
80-0006-10	Hose for GX-6000, Teflon lined, 10 ft, no probe.....	80.00
80-0006-10P	Hose, 10' for GX-6000, Teflon lined with probe attached	110.00
80-0006-10P-01	Hose for GX-6000, Teflon lined, 10 ft, with probe attached,no dust filter	100.00
80-0006-15	Hose for GX-6000, Teflon lined, 15 ft, no probe.....	105.00
80-0006-15P	Hose, 15' for GX-6000, Teflon lined with probe attached	135.00
80-0006-15P-01	Hose for GX-6000, Teflon lined, 15 ft, with probe attached,no dust filter	125.00
80-0006-20	Hose for GX-6000, Teflon lined, 20 ft, no probe.....	130.00
80-0006-20P	Hose, 20' for GX-6000, Teflon lined with probe attached	160.00
80-0006-20P-01	Hose for GX-6000, Teflon lined, 20 ft,with probe attached,no dust filter	150.00
80-0006-25	Hose for GX-6000, Teflon lined, 25 ft, no probe.....	150.00
80-0006-25P	Hose, 25' for GX-6000, Teflon lined with probe attached	180.00
80-0006-25P-01	Hose for GX-6000, Teflon lined, 25 ft, with probe attached,no dust filter	170.00
80-0006-30	Hose for GX-6000, Teflon lined, 30 ft, no probe.....	175.00
80-0006-30P	Hose, 30' for GX-6000, Teflon lined with probe attached	205.00
80-0006-30P-01	Hose for GX-6000, Teflon lined, 30 ft, with probe attached,no dust filter	195.00
80-0006-35	Hose for GX-6000, Teflon lined, 35 ft, no probe.....	200.00
80-0006-35P	Hose, 35' for GX-6000, Teflon lined with probe attached	230.00
80-0006-40	Hose for GX-6000, Teflon lined, 40 ft, no probe.....	225.00
80-0006-40P	Hose, 40' for GX-6000, Teflon lined with probe attached	255.00
80-0006-50	Hose for GX-6000, Teflon lined, 50 ft, no probe.....	270.00
80-0006-50P	Hose for GX-6000, Teflon lined, 50 ft, probe with dust filter attached	300.00
80-0006-60	Hose for GX-6000, Teflon lined, 60 ft, no probe.....	315.00
80-0006-60P	Hose for GX-6000, Teflon lined, 60 ft, probe with dust filter attached	345.00
80-0006-75	Hose for GX-6000, Teflon lined, 75 ft, no probe.....	385.00
80-0006-75P	Hose for GX-6000, Teflon lined, 75 ft, probe with dust filter attached	415.00
80-0006-99	Hose for GX-6000, Teflon lined, 100 ft, no probe	505.00
80-0006-99P	Hose for GX-6000, Teflon lined, 100 ft, probe with dust filter attached	535.00
80-0007RK-03	Hose, 3', polyurethane, GX-1, GP-204, OX-1	48.00
80-0007RK-05	Hose,5',polyurethane,GP-204/OX-1	50.00
80-0007RK-10	Hose, 10', polyurethane, GX-1, GP-204, OX-1	52.00
80-0007RK-12	Hose,12',polyurethane,GP-204/OX-1	55.00
80-0007RK-15	Hose,15',polyurethane,GP-204/OX-1	57.00
80-0007RK-20	Hose,20',polyurethane,GP-204/OX-1	59.00
80-0007RK-30	Hose,30',polyurethane,GP-204/OX-1	64.00
80-0007RK-40	Hose,40',polyurethane,GP-204/OX-1	68.00
80-0007RK-50	Hose,50',polyurethane,GP-204/OX-1	72.00
80-0007RK-60	Hose,60',polyurethane,GP-204/OX-1	76.00

Numerical Index

Part#	Description	Suggested Retail
80-0007RK-75	Hose,75',polyurethane,GP-204/OX-1	82.00
80-0009RK-02	Hose,2', polyurethane, GX-2012/Gas Tracer/GX-20003/RP-3R/RP-2009	30.00
80-0009RK-03	Hose,3',polyurethane, GX-2003/GX-2012/Gas Tracer	31.00
80-0009RK-04	Hose,4', polyurethane, GX-2012/Gas Tracer/GX-20003/RP-3R/RP-2009	31.00
80-0009RK-05	Hose, 5', polyurethane, GX-2012/Gas Tracer/GX-20003/RP-3R/RP-2009	32.00
80-0009RK-10	Hose, 10', polyurethane, GX-2012/Gas Tracer/GX-Force/GX-20003/RP-3R/RP-3R/RP-2009.....	36.00
80-0009RK-15	Hose, 15', polyurethane, GX-2012/Gas Tracer/GX-Force/GX-20003/RP-3R/RP-2009	38.00
80-0009RK-20	Hose, 20', polyurethane, GX-2012/Gas Tracer/GX-Force/GX-20003/RP-3R/RP-3R/RP-2009.....	40.00
80-0009RK-25	Hose, 25', polyurethane, GX-2012/Gas Tracer/GX-Force/GX-2003/RP-3R/RP-3R/RP-2009	42.00
80-0009RK-30	Hose, 30', polyurethane, GX-2012/Gas Tracer/GX-20003/RP-3R/RP-2009	46.00
80-0009RK-35	Hose, 35', polyurethane, GX-2012/Gas Tracer/GX-20003/RP-3R/RP-2009	50.00
80-0009RK-40	Hose, 40', polyurethane, GX-2012/Gas Tracer/GX-20003/RP-3R/RP-2009	54.00
80-0009RK-45	Hose, 45', polyurethane, GX-2012/Gas Tracer/GX-20003/RP-3R/RP-2009	58.00
80-0009RK-50	Hose, 50', polyurethane, GX-2012/Gas Tracer/GX-20003/RP-3R/RP-2009	72.00
80-0009RK-60	Hose, 60', polyurethane, GX-2012/Gas Tracer/GX-20003/RP-3R/RP-2009	80.00
80-0009RK-75	Hose, 75', polyurethane, GX-2012/Gas Tracer/GX-20003/RP-3R/RP-2009	86.00
80-0009RK-85	Hose,85',polyurethane, GX-2003/GX-2012/Gas Tracer	94.00
80-0009RK-99	Hose, 100', polyurethane, RKI style, GX-2012/Gas Tracer/GX-20003/RP-3R/RP-2009	98.00
80-0011RK	Hose, 30 meter, quick disconnect, RI-415 marine version, Riken style (orange)	240.00
80-0011RK-01	Hose, 30 meter, quick disc, RI-415 marine version, with EAGLE adapter (orange)	235.00
80-0012RK	Hose, 3' coiled, polyurethane, RI-411/RI-413A/GP-226/GX-8000/RX-8000	45.00
80-0015RK	Connection tube for RI-415, 1', female GX-7 to 4 x 6 mm tube.....	16.00
80-0016RK	Connection tube, RX-415, 1',fem GX-7 both ends	16.00
80-0019RK	Hose,gas sampling,RX-515/RX-516/RX-517	80.00
80-0020RK	Coiled tubing with connectors, 3' (for connection to GX-2009 / GX-2001 adaptor)	65.00
80-0022RK	Connection tube for GX-8000/RX-515/RX-516/RX-517/RX-8500/RX-8700/GX-8000	20.00
80-0050RK	Hose, Teflon, 1/8 ID x 1/4 OD, SS Braided, 18" long	110.00
80-0101RK	Hose with floating head, 8 meters (25 feet), with GX-/RX- series	100.00
80-0101RK-60	Hose with floating head, 60 ft, with GX-7 fitting, RX- series	125.00
80-0101RKE	Floating ball / hose assembly, 25', with EAGLE/EAGLE 2 fitting	130.00
80-0101RKE-60	Hose with floating head, 60 ft, EAGLE / EAGLE 2	150.00
80-0103RK	Hose, 30 meter, with float type sampling head, for RX-415/RX-516/RX-517/RX-8500/RX-8700.....	375.00
80-0121	Finned probe for GX-6000, stainless steel with 1641 fitting, particle filter, without tubing	825.00
80-0121-10	Finned probe for GX-6000, stainless steel with 1641 fitting, particle filter, and 10' of tubing.....	915.00
80-0130RK-10	Probe,10",hydrophobic, Eagle, GX-7	65.00
80-0131RK-10	Probe, 10", hydrophobic, standard, with particle filter and metal fittings, EAGLE / EAGLE 2	55.00
80-0131RK-20	Probe, 10", hydrophobic, standard, without particle filter, with metal fittings, for EAGLE 2 with PID	54.00
80-0132RK-10	Probe, 10", hydrophobic, without particle filter, with plastic fittings for toxic gas versions (HCL/CLO2/etc), EAGLE	54.00
80-0133RK-10	Probe, 30", aluminum, with particle filter and 1641 fittings, EAGLE.....	95.00
80-0133RK-20	Probe, 30", aluminum, without particle filter and 1641 fittings, EAGLE	95.00
80-0134RK-10	Probe, 4', stainless steel, with particle filter, handle, and 1641 fittings, EAGLE	260.00
80-0134RK-20	Probe, 4', stainless steel, without particle filter, handle, and 1641 fittings, EAGLE	255.00
80-0135RK-10	Probe, 30", stainless steel, with particle filter and 1641 fittings, EAGLE	110.00
80-0135RK-20	Probe, 30", stainless steel, without particle filter and 1641 fittings, EAGLE	110.00
80-0136RK	Probe, 32", extendable (10" collapsed), fiberglass, with dust filter, (cotton ball), EAGLE / EAGLE 2	86.00
80-0137RK	Probe, 10" plastic, with dust filter (cotton ball), for EAGLE	44.00
80-0138RK	Stainless steel probe, 4 feet with filter for GX-2012	190.00
80-0139RK-01	Telescoping probe,10', with hose for GX-82/86/GX- series	240.00
80-0140RK	Extendable probe, 32" (collapsible), fiberglass with filter for GX-2003/GX-2012/Gas Tracer	84.00
80-0142RK-10	Probe, 30", fiberglass, for bar hole, with particle filter, EAGLE	88.00
80-0142RK-20	Probe, 30", fiberglass, for bar hole, without particle filter, EAGLE.....	88.00
80-0143RK	Extendable probe, 7' (collapsible to 2'), fiberglass with filter for EAGLE	92.00
80-0144RK	Extendable probe, 7' (collapsible to 2'), fiberglass with filter for GX-2003/GX-2012/Gas Tracer.....	88.00
80-0150RK	Probe assembly, 10", with cotton ball filter	25.00
80-0155RK	Probe assembly, 30", aluminum, with cotton ball filter, for GX-2003/GX-2012/Gas Tracer	76.00
80-0156RK-10	Probe, 30", fiberglass, rigid with particle filter, EAGLE	80.00
80-0156RK-20	Probe, 30", fiberglass, rigid without particle filter, EAGLE.....	80.00
80-0157RK	Bar hole probe, 30" fiberglass for GX-2003/GX-2012/Gas Tracer	70.00
80-0158RK	Probe with excess bypass for GX-2003/GX-2012/Gas Tracer	16.00
80-0159RK	Probe assembly,10 inch,w/1/4 x 1/8 probe tube,GX-82	33.00

Numerical Index

Part#	Description	Suggested Retail
80-0160RK-12	Extendable probe, 12', with 1641 fittings, EAGLE	260.00
80-0160RK-18	Extendable probe, 18', with 1641 fittings, EAGLE	260.00
80-0161RK	Flexible 10" probe tube without instrument adapter, clear plastic	40.00
80-0161RK-24	Flexible 24" probe tube without instrument adapter, clear plastic	45.00
80-0162RK	Flexible 10" probe tube with female quick-connect (attaches to instrument)	75.00
80-0162RK-24	Flexible 24" probe tube with female quick-connect (attaches to instrument)	75.00
80-0163	Probe with tube, GF-267 for GX-6000	26.00
80-0165RK-12	Extendable probe, 12', twist fitting, GX-2003/GX-2012.....	260.00
80-0165RK-18	Extendable probe, 18', twist fitting, GX-2003/GX-2012.....	260.00
80-0172	Probe with hydrophobic filter, dust filter, no scrubber section, for GX-6000/ (not for Cl2 use) / GX-8000/RX-8000/GX-Force/GX-2012/GasTracerGX-2001/GX-2003/RP-3R.....	35.00
80-0172-01	Probe with hydrophobic filter, no dust filter or scrubber section, for GX-6000 (Cl2 use)	33.00
80-0174	Benzene pre-filter tube holder, GX-6000	140.00
80-0174-10	Tube tip breaker,for 80-0174 tube holder,GX-6000	13.00
80-0174-11	Bottom breakaway part,for 80-0174 tube holder	2.00
80-0176	Diluter adapter for bulk carrier application, GX-8000	395.00
80-0182RK	Probe, with internal paper dust filter, pleated paper type, EAGLE/GX-4000A	100.00
80-0200RK	Water trap, bowl type, for GP-204	35.00
80-0211RK	Water Trap (bowl type) with 1641 fittings with pleated paper filter, EAGLE	120.00
80-0213-01	Filter element for ML-401-BC (80-0213RK) water trap	30.00
80-0213RK	Water trap, bowl type, for GX-7/GP-226/RI-411/RI-413A	75.00
80-0224RK	Filter, hydrophobic, in-line type (ACRO-50), with EAGLE fittings (1641)	75.00
80-0225RK	Hydrophobic filter, in line, ACRO - 50 with fittings for GX-7/GX-2001/GX-2003/GX-2012/ Gas Tracer and RX-415	75.00
80-0226RK	Hydrophobic filter, external, in-line, for EAGLE supertoxic versions, ACRO-50 with teflon tube, EAGLE ...	65.00
80-0402	Diluter (Gas: Air = 1:1)	88.00
80-0404RK	Dilution fitting, 50:50 for GX-2003/-2012/Gas Tracer/GX-Force/RP-2009/RP-6/RP-3R.....	95.00
80-0405RK	Dilution fitting 50:50, for EAGLE only (for use with hose & probe), with 1641 fittings	95.00
80-0406RK	Dilution fitting 3 to 1 for EAGLE only (for use with hose & probe), with 1641 fittings	120.00
80-0411RK	Adapter,1641 male to GX-7 male	24.00
80-0503RK	Hose,3 feet, W/1641 fittings,EAGLE	38.00
80-0505RK	Hose, 5' polyurethane with fittings (standard gas versions only), EAGLE / EAGLE 2	40.00
80-0506RK	Hose, 6', polyurethane, EAGLE, with 1641 fittings	42.00
80-0510RK	Hose, 10', polyurethane (for standard gases only), with 1641 fittings, EAGLE/EAGLE 2	53.00
80-0515RK	Hose, 15', polyurethane (for standard gases only), with 1641 fittings, EAGLE/EAGLE 2	60.00
80-0520RK	Hose, 20', polyurethane (for standard gases only), with 1641 fittings, EAGLE/EAGLE 2	67.00
80-0525RK	Hose, 25', polyurethane (for standard gases only), with 1641 fittings, EAGLE/EAGLE 2	74.00
80-0530RK	Hose, 30', polyurethane (for standard gases only), with 1641 fittings, EAGLE/EAGLE 2	81.00
80-0535RK	Hose,35 feet, W/1641 fittings,EAGLE	88.00
80-0540RK	Hose, 40', polyurethane (for standard gases only), with 1641 fittings, EAGLE/EAGLE 2	95.00
80-0550RK	Hose, 50', polyurethane (for standard gases only), with 1641 fittings, EAGLE/EAGLE 2	109.00
80-0560RK	Hose, 60', polyurethane (for standard gases only), with 1641 fittings, EAGLE/EAGLE 2	123.00
80-0575RK	Hose, 75', polyurethane (for standard gases only), with 1641 fittings, EAGLE/EAGLE 2	144.00
80-0599RK	Hose, 100', polyurethane (for standard gases only), with 1641 fittings, EAGLE/EAGLE 2	179.00
80-0599RK-125	Hose, 125', polyurethane (for standard gases only), with 1641 fittings, EAGLE/EAGLE 2	214.00
80-0605RK	Hose, 5' teflon lined, with fittings (PID versions only), EAGLE / EAGLE 2	130.00
80-0610RK	Hose,10 ft,w/1641 fittings,teflon w/polyurethane jacket,Eagle/Eagle2	190.00
80-0620RK	Hose, 20' teflon lined, with fittings (PID versions only), EAGLE/EAGLE 2	310.00
80-0802RK	Float probe assembly, 12', (without dilution fitting), EAGLE tank tester version	440.00
81-0000RK-01	Cylinder, H2, 1000 ppm in air, 34L steel	55.00
81-0000RK-03	Cylinder, H2, 1000 ppm in air, 103L steel	150.00
81-0000RK-21	Cylinder, H2, 2000 ppm in air, 34L steel	55.00
81-0000RK-23	Cylinder, H2, 2000 ppm in air, 103L steel	150.00
81-0000RK-31	Cylinder, H2, 4000 ppm in air, 34L steel	55.00
81-0000RK-33	Cylinder, H2, 4000 ppm in air, 103L steel	150.00
81-0000RK-41	Cylinder, H2, 3000 ppm in air, 34L steel	55.00
81-0000RK-51	Cylinder, H2, 200 ppm in air, 34L steel	55.00
81-0000RK-61	Cylinder, H2, 5000 ppm in air, 34L steel	55.00
81-0000RK-63	Cylinder, H2, 5000 ppm in air, 103L steel	150.00
81-0000RK-71	Cylinder, H2 500 ppm in air, 34L steel	55.00
81-0000RK-73	Cylinder, H2, 500 ppm in air, 103L steel	150.00

Numerical Index

Part#	Description	Suggested Retail
81-0001-01	Cylinder, H2 40% LEL (1.6% vol) in air, 34L steel	55.00
81-0001RK-01	Cylinder, H2, 25% LEL in air, 34L steel	55.00
81-0001RK-21	Cylinder, H2, 1.2%(30% LEL) in air, 34L steel	55.00
81-0001RK-23	Cylinder, H2, 1.2%(30% LEL) in air, 103L steel	150.00
81-0001RK-31	Cylinder, H2, 1.3% vol (33 % LEL) in air, 34L steel	55.00
81-0001RK-33	Cylinder, H2, 2% in Helium, 103L steel	550.00
81-0001RK-43	Cylinder,H2 1.3% vol (33 %LEL)in Air,103L	150.00
81-0001RK-60	Cylinder, H2 60% LEL in air, 34L steel	55.00
81-0002RK-01	Cylinder, H2, 50% LEL in air, 34L steel	55.00
81-0002RK-03	Cylinder, H2, 50% LEL in air, 103L steel	150.00
81-0002RK-04	Cylinder,H2 50% LEL in Air,34AL for EU	150.00
81-0002RKA-01	Cylinder, H2 50% LEL/O2 12% in N2, 34L steel	55.00
81-0003RK-01	Cylinder, Propane 25% LEL in air, 34L steel	55.00
81-0003RK-03	Cylinder, Propane 25% LEL in air, 103L steel	150.00
81-0003RK-11	Cylinder, Propane 10% LEL in air, 34L steel	45.00
81-0003RK-13	Cylinder, Propane 10% LEL in air, 103L steel	150.00
81-0003RK-23	Cylinder,Propane 20% LEL in Air,103L	150.00
81-0003RK-33	Cylinder, Propane 30% LEL in air, 103L steel	150.00
81-0004RK-01	Cylinder, Propane 50% LEL in air, 34L steel	55.00
81-0004RK-03	Cylinder, Propane 50% LEL/air, 103L steel	150.00
81-0005RK-01	Cylinder, Propane 1000 ppm in air, 34L steel	55.00
81-0006RK-01	Cylinder, nButane 9000 ppm/air, 34L steel	55.00
81-0007RK-01	Cylinder, Hexane 15% LEL/air, 34L steel	55.00
81-0007RK-03	Cylinder, Hexane 10% LEL (0.11%) in air, 103L steel	150.00
81-0009RK	Cylinder, Hexane 40% LEL in air, 17L steel	45.00
81-0010RK-01	Cylinder, CH4 10% LEL in air, 34L steel	55.00
81-0010RK-03	Cylinder, CH4 10% LEL in air, 103L steel	150.00
81-0010RK-36	Cylinder,CH4 35% LEL in Air,552L, CGA580	360.00
81-0011RK-01	Cylinder, CH4 10% vol in N2, 34L steel	55.00
81-001235-552	Cylinder, CH4 35% LEL in N2, 552L	380.00
81-001240-01	Cylinder, CH4 40% LEL in air, 34L steel	55.00
81-001265-552	Cylinder, CH4 65% LEL in N2, 552L	380.00
81-0012RK-01	Cylinder, CH4 50% LEL in air, 34L steel	55.00
81-0012RK-03	Cylinder, CH4 50% LEL/air, 103L steel	150.00
81-0012RK-04	Cylinder,CH4 50% LEL in Air,34AL for EU	150.00
81-0012RK-21	Cylinder, CH4 25% LEL in air, 34L steel	55.00
81-0012RK-23	Cylinder, CH4 25% LEL in air, 103L	150.00
81-0012RK-R100	Cylinder,CH4 50% LEL in Air,100AL refillable	175.00
81-0013RK-01	Cylinder, CH4 50% volume in N2, 34L steel	55.00
81-0013RK-02	Cylinder, CH4 50% volume in N2, 58AL aluminum	150.00
81-0013RK-03	Cylinder, CH4 50% volume in N2, 103L	150.00
81-0013RK-05	Cylinder, CH4 50% volume in N2, 58L steel	160.00
81-0014	Cylinder,IPA 1000 ppm in Air,17L	75.00
81-0014RK	Cylinder, IPA, 10% LEL in air, 17L steel size (8 liters gas) 120 psi	55.00
81-0015RK-03	Cylinder, CH4 5% LEL in air, 103L steel	150.00
81-0016RK-05	Cylinder, CH4 100% volume 58L steel	150.00
81-0017RK-01	Cylinder, isobutane 500 ppm in air, 34L steel	55.00
81-0018RK-01	Cylinder, isobutane 50% LEL in air, 34L steel	55.00
81-0018RK-03	Cylinder, isobutane 50% LEL in air, 103L steel	150.00
81-0019RK	Cylinder, isobutane 10% volume in N2, 17L steel	45.00
81-0019RK-02	Cylinder,isoButane 10%in N2,34AL	150.00
81-0019RK-05	Cylinder,isoButane 10%in N2,58L steel	150.00
81-0020RK	Cylinder, CH4 20% LEL in air, 17L steel	45.00
81-0020RK-03	Cylinder, CH4 20% LEL in air, 103L steel	150.00
81-0021RK-01	Cylinder, isobutane 20% LEL in air, 34L steel	55.00
81-0021RK-02	Cylinder,isoButane 20% LEL in Air,58AL	150.00
81-0022RK-01	Cylinder, H2 4% vol in N2, 34L steel	55.00
81-0023RK-01	Cylinder, H2 8% volume in N2, 34L steel	120.00
81-0024RK-01	Cylinder, Hydrogen 100%, 34L steel	55.00
81-0024RK-05	Cylinder, Hydrogen 100%, 58L	140.00
81-0025RK-01	Cylinder, CO2 35% / CH4 50% volume balance N2, 34L steel	55.00

Numerical Index

Part#	Description	Suggested Retail
81-0026RK-01	Cylinder, isobutane 250 ppm in air, 34L steel	55.00
81-0026RK-03	Cylinder, isobutane 250 ppm in air, 103L steel	150.00
81-0027-05	Cylinder, CO2 40% / CH4 60% volume in N2, 58L steel	130.00
81-0029RK	Cylinder, Ethylene 100% vol, 17L steel	45.00
81-0030RK-03	Cylinder, Ethylene 2000 ppm in air, 103L	150.00
81-0031RK-01	Cylinder, CH4 40% LEL (2% vol) in air, 34L steel	55.00
81-0032RK-01	Cylinder, H2 250 ppm in air, 34L steel	55.00
81-0032RK-03	Cylinder, H2 250 ppm in air, 103L	150.00
81-0032RK-05	Cylinder, H2 250 ppm in air, 58L	150.00
81-0033RK-01	Cylinder, H2, 100 ppm in air, 34L steel	55.00
81-0033RK-03	Cylinder, H2, 100 ppm in air, 103L steel	150.00
81-0034RK-01	Cylinder, H2, 50 ppm in air, 34L steel	55.00
81-0034RK-03	Cylinder, H2, 50 ppm in air, 103L steel	150.00
81-0035RK-01	Cylinder, IPA, 1000 ppm in air, 34L steel	55.00
81-0035RK-03	Cylinder, IPA 1000 ppm in air, 103L	150.00
81-0035RK-05	Cylinder, IPA 1000 ppm in air, 58L	150.00
81-0038RK-01	Cylinder, isoButane 1800 ppm in air, 34L steel	55.00
81-0038RK-03	Cylinder, isoButane 1800 ppm in air, 103L	150.00
81-0038RK-05	Cylinder, isoButane 1800 ppm in air, 58L	150.00
81-0039RK-03	Cylinder, isobutane 25% LEL in air, 103L	150.00
81-0050RK-03	Cylinder, O2 10 ppm in N2, 103L	150.00
81-0060RK-01	Cylinder, CO 40 ppm in air, 34L steel	55.00
81-0061RK-01	Cylinder, CO 5% volume in N2, 34L steel	55.00
81-0062RK-01	Cylinder, CO 50 ppm in N2, 34L steel	55.00
81-0062RK-03	Cylinder, CO 50 ppm in N2, 103L steel	150.00
81-0062RK-07	Cylinder, CO 50 ppm in N2, 7AL bump, non-hazmat	95.00
81-0063RK-01	Cylinder, CO 20 ppm in air, 34L steel	55.00
81-0063RK-03	Cylinder, CO 20 ppm in air, 103L	150.00
81-0064RK-01	Cylinder, CO 50 ppm in air, 34L steel	55.00
81-0064RK-02	Cylinder, CO 50 ppm in air, 58AL	160.00
81-0064RK-03	Cylinder, CO 50 ppm in air, 103L steel	150.00
81-0064RK-R100	Cylinder, CO 50 ppm in Air, 100AL refillable	175.00
81-0065RK-01	Cylinder, CO 100 ppm in air, 34 liter	55.00
81-0065RK-03	Cylinder, CO 100 ppm in air, 103L steel	150.00
81-0066RK-01	Cylinder, CO 200 ppm in air, 34L steel	55.00
81-0066RK-03	Cylinder, CO 200 ppm in air, 103L steel	150.00
81-0068RK-01	Cylinder, CO 100 ppm in N2, 34L steel	55.00
81-0068RK-03	Cylinder, CO 100 ppm in N2, 103L steel	150.00
81-0069RK	Cylinder, CO 200 ppm in N2, 17L steel	45.00
81-0069RK-01	Cylinder, CO 200 ppm in N2, 34L steel	55.00
81-0069RK-03	Cylinder, CO 200 ppm in N2, 103L steel	150.00
81-0070RK-01	Cylinder, CO2 2000 ppm in N2, 34L steel	55.00
81-0070RK-03	Cylinder, CO2 2000 ppm in N2, 103L steel	150.00
81-0071RK-01	Cylinder, CO2 5000 ppm in N2, 34L steel	55.00
81-0071RK-03	Cylinder, CO2 5000 ppm in N2, 103L steel	150.00
81-0072RK-01	Cylinder, CO2 2.5% in N2, 34L steel	55.00
81-0072RK-03	Cylinder, CO2 2.5% in N2, 103L steel	150.00
81-0073RK	Cylinder, CO2 15% in N2, 17L steel	45.00
81-0073RK-01	Cylinder, CO2 15% in N2, 34L steel	55.00
81-0073RK-03	Cylinder, CO2 15% in N2, 103L steel	150.00
81-0073RK-H04	Cylinder, CO2 15% in N2, 44ES AL, 825 psi	120.00
81-0074RK	Cylinder, O2 2% in N2, 17L steel	45.00
81-0074RK-03	Cylinder, O2 2% in N2, 103L steel	150.00
81-0075RK-01	Cylinder, O2, 10% in N2, 34L steel	55.00
81-0075RK-03	Cylinder, O2 10% in N2, 103L steel	150.00
81-0076RK-01	Cylinder, Zero air, 34L steel	55.00
81-0076RK-03	Cylinder, Zero air, 103L steel	150.00
81-0076RK-R100	Cylinder, Zero Air, 100AL refillable	220.00
81-0078RK-01	Cylinder, N2 100%, 34L steel	55.00
81-0078RK-03	Cylinder, N2 100%, 103L steel	150.00
81-0078RK-06	Cylinder, N2 100%, 552L 5E, CGA 590	350.00

Numerical Index

Part#	Description	Suggested Retail
81-0079RK-01	Cylinder, CH4 500 ppm in air, 34L steel	55.00
81-0079RK-03	Cylinder, CH4 500 ppm in air, 103L steel	150.00
81-0080RK-03	Cylinder, CH4 50 ppm in air, 103L steel	150.00
81-0081RK	Cylinder, R-22 (Freon 22), 2000 ppm in air, 17L steel	60.00
81-0081RK-01	Cylinder, R-22 (Freon 22), 2000 ppm in air, 34L steel	150.00
81-0082RK	Cylinder, R-12 (Freon-12), 2000 ppm in air, 17L steel	100.00
81-0082RK-01	Cylinder, R-12 (Freon-12), 2000 ppm in air, 34L steel	150.00
81-0082RK-03	Cylinder, R-12 (Freon-12), 2000 ppm in air, 103L steel	150.00
81-0083RK-03	Cylinder, Hexane 400 ppm in air, 103L steel	150.00
81-0083RK-04	Cylinder, Hexane 400 ppm in air, 34AL	150.00
81-0083RK-21	Cylinder, Hexane 500 ppm in air, 34AL	55.00
81-0083RK-23	Cylinder, Hexane 500 ppm in air, 103L steel	150.00
81-0084RK-01	Cylinder, R-134A (Freon 134A), 2, 000 ppm in air, 34L steel	150.00
81-0084RK-03	Cylinder, R-134A 2000 ppm in air, 103L	150.00
81-0085RK-01	Cylinder, CH4 1,000 ppm in air, 34L steel	55.00
81-0085RK-03	Cylinder, CH4 1,000 ppm air, 103L steel	150.00
81-0086RK-01	Cylinder, CH4 5000 ppm in air, 34L steel	55.00
81-0086RK-03	Cylinder, CH4 5000 ppm air, 103L steel	150.00
81-0088RK-03	Cylinder, Pentane 1000 ppm in air, 103L steel	150.00
81-0089RK-01	Cylinder, CO 50 ppm / Hexane 15% LEL / O2 12 % in N2, 34L steel	55.00
81-0089RK-03	Cylinder, CO 50 ppm / Hexane 15% LEL / O2 12 % in N2, 103L steel	150.00
81-0090RK-01	Cylinder, CO 50 ppm / CH4 50% LEL / O2 12 % in N2, 34L steel	55.00
81-0090RK-03	Cylinder, CO 50 ppm / CH4 50% LEL / O2 12 % in N2, 103L steel	150.00
81-0092RK-03	Cylinder, Propane 50 % LEL / CO 50 ppm / O2 12% in N2, 103L steel	150.00
81-0093RK-03	Cylinder, Pentane 25% LEL / CO 50 ppm / O2 12% in N2, 103L steel	150.00
81-0095RK-02	Cylinder, O2 25% Vol in N2, 58AL	160.00
81-0096RK-01	Cylinder, CO2 13.8% vol / Butane 8% vol in N2, 34L steel.....	55.00
81-0096RK-03	Cylinder, Pentane 50% LEL in air, 103L	150.00
81-0096RK-04	Cylinder,CO2 13.8% vol/Butane 8% vol in N2,34AL	150.00
81-0097RK-01	Cylinder, CO2 50% in N2, 34L steel	55.00
81-0098RK-03	Cylinder, CO2 4% in N2 103L	160.00
81-0099RK-01	Cylinder, CO2 20% in N2, 34L steel	55.00
81-0100RK-02	Cylinder, Benzene 5 ppm in air, 58AL	150.00
81-0100RK-04	Cylinder, Benzene 5 ppm in air, 34AL	130.00
81-0101RK-03	Cylinder, CH4 50% LEL/17% O2 in N2, 103L steel	150.00
81-0102RK-04	Cylinder, Toluene 400 ppm in air, 34AL	150.00
81-0103RK-01	Cylinder, isobutylene 100 ppm in air, 34L steel (steel cylinder)	55.00
81-0103RK-03	Cylinder, isobutylene 100 ppm in air, 103L steel	150.00
81-0103RK-04	Cylinder, isobutylene 100 ppm in air, 34AL (aluminum cylinder).....	150.00
81-0104RK-01	Cylinder, isobutylene 10 ppm in air, 34L steel	55.00
81-0104RK-03	Cylinder, isobutylene 10 ppm in air, 103L steel.....	150.00
81-0104RK-04	Cylinder, isobutylene 10 ppm in air, 34AL (aluminum cylinder)	150.00
81-0105RK-01	Cylinder, isobutane 50 ppm in air, 34L steel	55.00
81-0105RK-03	Cylinder, isobutane 50 ppm in air, 103L steel	150.00
81-0133RK-02	Cylinder,H2S 50 ppm/CO 500 ppm/CH4 50% LEL/O2 18%,58AL	200.00
81-0133RK-04	Cylinder,H2S 50 ppm/CO 500 ppm/CH4 50% LEL/O2 18% in N2,34AL	150.00
81-0135RK-02	Cylinder, H2S 20 ppm / CO 60 ppm / Pentane 58% LEL / O2 15% in N2, 58AL	280.00
81-0136RK-02	Cylinder, H2S 20 ppm / CO 60 ppm / Pentane 58% LEL / CO2 2.5% / O2 15% in N2, 58AL	300.00
81-0138RK-04	Cylinder, H2S 10 ppm / CO 300 ppm / CH4 1.45 % vol / O2 15% vol in N2, 34AL	150.00
81-0140RK-02	Cylinder, H2S 50 ppm/50% LEL isobutane in N2, 58AL.....	220.00
81-0140RK-04	Cylinder, H2S 50 ppm/50% LEL isobutane in N2, 34AL.....	150.00
81-0141RK-04	Cylinder, H2S 20 ppm / CO 60 ppm / CH4 29% LEL / O2 15% in N2, 34AL	150.00
81-0142RK-02	Cylinder, SO2 5 ppm / H2S 25 ppm / CO 50 ppm / CH4 50% LEL / O2 12% in N2, 58AL	280.00
81-0142RK-04	Cylinder, SO2 5 ppm / H2S 25 ppm / CO 50 ppm / CH4 50% LEL / O2 12% in N2, 34AL	200.00
81-0142RK-116	Cylinder,SO2 5 ppm/H2S 25 ppm/CO 50 ppm/CH4 50% LEL/O2 12% in N2,116AL	580.00
81-0143RK-02	Cylinder, isobutylene 100 ppm / H2S 25 ppm / CO 50 ppm / CH4 50% LEL / O2 12% in N2, 58AL	340.00
81-0143RK-04	Cylinder, isobutylene 100 ppm / H2S 25 ppm / CO 50 ppm / CH4 50% LEL / O2 12% in N2, 34AL	230.00
81-0144RK-02	Cylinder, isoButylene 100 ppm / CO 50 ppm / CH4 50% LEL / O2 12% in N2, 58AL	220.00
81-0144RK-03	Cylinder, isoButylene 100 ppm / CO 50 ppm / CH4 50% LEL / O2 12% in N2, 103L	180.00
81-0144RK-04	Cylinder, isoButylene 100 ppm / CO 50 ppm / CH4 50% LEL / O2 12% in N2, 34AL	160.00
81-0145RK-02	Cylinder, H2S 500 ppm in N2, 58AL	150.00

Numerical Index

Part#	Description	Suggested Retail
81-0145RK-16	Cylinder, H2S 500 ppm in N2, 116AL	300.00
81-0146RK-02	Cylinder, H2S 200 ppm in N2, 58AL	150.00
81-0147RK-02	Cylinder, H2S 1 ppm in N2, 58AL	230.00
81-0148RK-02	Cylinder, H2S 15 ppm in N2, 58AL	180.00
81-0149RK-02	Cylinder, H2S 5 ppm in N2, 58AL	150.00
81-0149RK-04	Cylinder, H2S 5 ppm in N2, 34AL	130.00
81-0150RK-02	Cylinder, H2S 10 ppm in N2, 58AL	150.00
81-0150RK-04	Cylinder, H2S 10 ppm in N2, 34AL	130.00
81-0151RK-02	Cylinder, H2S 25 ppm in N2, 58AL	150.00
81-0151RK-04	Cylinder, H2S 25 ppm in N2, 34AL	130.00
81-0151RK-R02	Cylinder, H2S 25 ppm in N2, 58AL refillable	180.00
81-0151RKTYS-02	Cylinder, H2S 25 ppm in N2, 34AL	100.00
81-0151RKTYS-04	Cylinder, H2S 25 ppm in N2, 34AL	75.00
81-0152RK-02	Cylinder, H2S 50 ppm in N2, 58AL	150.00
81-0152RK-04	Cylinder, H2S 50 ppm in N2, 34AL	130.00
81-0153RK-02	Cylinder, H2S 50 ppm in AIR, 58AL	150.00
81-0154-06-12	Quick Check kit, 4 gas cylinder w/red plastic straw, 11L, w/03 Series test cup, for HS-03	85.00
81-0154RK-02	Cylinder, H2S 25 ppm / CO 50 ppm / CH4 50% LEL / O2 12% in N2, 58AL	190.00
81-0154RK-04	Cylinder, H2S 25 ppm / CO 50 ppm / CH4 50% LEL / O2 12% in N2, 34AL	160.00
81-0154RK-06	Bump test cylinder, H2S 40 ppm / CO 100 ppm / Methane 50% LEL / O2 12% in N2, 11AL aerosol	55.00
81-0154RK-06-10	Bump test cylinder, H2S 40 ppm / CO 100 ppm / Methane 50% LEL / O2 12% in N2, 11AL aerosol with cal cup for GX-2009	75.00
81-0154RK-06-11	Bump test cylinder, H2S 40 ppm / CO 100 ppm / Methane 50% LEL / O2 12% in N2, 11AL aerosol, with red plastic straw and gas bag for GX-2012	75.00
81-0154RK-07	Cylinder, H2S 25 ppm / CO 50 ppm / CH4 50% LEL / O2 12% in N2, 7AL bump, non-hazmat	95.00
81-0154RK-116	Cylinder, H2S 25 ppm / CO 50 ppm / CH4 50% LEL / O2 12% in N2, 116AL	320.00
81-0154RK-E02	Cylinder, H2S 25 ppm / CO 50 ppm / CH4 50% LEL / O2 12% in N2, 58AL European approved	280.00
81-0154RK-H04	Cylinder, H2S 25 ppm / CO 50 ppm / CH4 50% LEL / O2 12% in N2, 44ES high pressure AL (825 psi)	165.00
81-0155RK-02	Cylinder, H2S 25 ppm / CO 50 ppm / HEX 15% LEL / O2 12% in N2, 58AL	220.00
81-0155RK-04	Cylinder, H2S 25 ppm / CO 50 ppm / HEX 15% LEL / O2 12% in N2, 34AL	160.00
81-0156RK-02	Cylinder, H2S 25 ppm / CO 50 ppm / Pentane 32% LEL / O2 14% in N2, 58AL	220.00
81-0156RK-04	Cylinder, H2S 25 ppm / CO 50 ppm / Pentane 32% LEL / O2 14% in N2, 34AL	180.00
81-0156RK-52	Cylinder, H2S 25 ppm / CO 50 ppm / Pentane 50% LEL / O2 12% in N2, 58AL	230.00
81-0156RK-54	Cylinder, H2S 25 ppm / CO 50 ppm / Pentane 50% LEL / O2 12% bal N2, 34AL	160.00
81-0158RK-02	Cylinder, H2S 25 ppm / CO 50 ppm / isobutane 50% LEL / O2 12% in N2, 58AL	220.00
81-0158RK-04	Cylinder, H2S 25 ppm / CO 50 ppm / isobutane 50% LEL / O2 12% in N2, 34AL	160.00
81-0158RK-08	Cylinder, H2S 25 ppm / CO 50 ppm / isobutane 50% LEL / O2 12% in N2, 29AL	150.00
81-0159RK-02	Cylinder, SO2 5 ppm / CO 50 ppm / CH4 50% LEL / O2 12% in N2, 58AL	190.00
81-0161RK-02	Cylinder, H2S 25 ppm / CO 100 ppm / CH4 50% LEL (2.5% vol) / O2 18% in N2, 58AL	220.00
81-0161RK-04	Cylinder, H2S 25 ppm / CO 100 ppm / CH4 50% LEL (2.5% vol) / O2 18% in N2, 34AL	150.00
81-0162RK-02	Cylinder, H2S 25 ppm / CO 100 ppm / CH4 50% LEL (2.5% vol) / O2 19% in N2, 58AL	220.00
81-0162RK-04	Cylinder, H2S 25 ppm / CO 100 ppm / CH4 50% LEL (2.5% vol) / O2 19% in N2, 34AL	160.00
81-0163RK-04	Cylinder, H2S 25 ppm / CO 50 ppm / Propane 50% LEL (1.05% vol) / O2 18% in N2, 34AL	180.00
81-0164RK-02	Cylinder, H2S 25 ppm / CO 150 ppm / CH4 50% LEL (2.5% vol) / O2 15% in N2, 58AL	220.00
81-0165RK-02	Cylinder, SiH4 5 ppm in N2, 58AL	280.00
81-0166RK-04	Cylinder, SiH4 30 ppm in N2, 34AL	260.00
81-0167RK-02	Cylinder, H2S 25 ppm / CO 50 ppm / Propane 50% LEL / O2 12% in N2, 58AL	180.00
81-0167RK-04	Cylinder, H2S 25 ppm / CO 50 ppm / Propane 50% LEL / O2 12% in N2, 34AL	180.00
81-0168RK-02	Cylinder, NO2 10 ppm / CO 50 ppm / O2 12% / CH4 2.5% in N2, 58AL (7 month shelf life)	295.00
81-0168RK-04	Cylinder, NO2 10 ppm / CO 50 ppm / O2 12% / CH4 2.5% in N2, 34AL (7 month shelf life)	220.00
81-0170RK-02	Cylinder, SO2 5 ppm in N2, 58AL	160.00
81-0170RK-04	Cylinder, SO2 5 ppm in N2, 34AL	140.00
81-0173RK-02	Cylinder, NH3 5 ppm in N2, 58AL	300.00
81-0174RK-02	Cylinder, NH3 50 ppm in N2, 58AL	300.00
81-0175RK-02	Cylinder, NH3 10 ppm in N2, 58AL	300.00
81-0175RK-04	Cylinder, NH3 10 ppm in N2, 34AL	280.00
81-0176RK-02	Cylinder, NH3 25 ppm in N2, 58AL	300.00
81-0176RK-04	Cylinder, NH3 25 ppm in N2, 34AL	280.00
81-0177RK-116	Cylinder, NF3 25 ppm in N2, 116AL	675.00
81-0179RK-02	Cylinder, NO2 200 ppm in N2 58L	350.00
81-0180RK-02	Cylinder, NO2 10 ppm in air, 58AL	300.00

Numerical Index

Part#	Description	Suggested Retail
81-0180RK-04	Cylinder, NO2 10 ppm in air, 34AL	260.00
81-0180RK-116	Cylinder, NO2 10ppm in Air, 116AL	350.00
81-0181RK-02	Cylinder, NO 25 ppm in N2, 58AL	300.00
81-0181RK-04	Cylinder, NO 25 ppm in N2, 34AL	260.00
81-0182RK-02	Cylinder, NO2 5 ppm in air, 58AL	300.00
81-0182RK-04	Cylinder, NO2 5 ppm in air, 34AL	260.00
81-0183RK-01	Cylinder, N2O 250 ppm in air, 34L steel	85.00
81-0183RK-03	Cylinder, N2O 250 ppm in air, 103L steel	150.00
81-0184RK-04	Cylinder, NO 10 ppm in N2, 34AL	320.00
81-0185RK-02	Cylinder, PH3 0.5 ppm in N2, 58AL	300.00
81-0185RK-04	Cylinder, PH3 0.5 ppm in N2, 34AL	260.00
81-0186RK-02	Cylinder, PH3 5 ppm in N2, 58AL	280.00
81-0187RK-02	Cylinder, PH3 0.1 ppm in N2, 58AL	350.00
81-0188RK-02	Cylinder, Carbonyl Sulfide (COS) 40 ppm in air, 58AL	220.00
81-0189RK-02	Cylinder, Carbonyl Sulfide (COS) 10 ppm in air, 58AL	160.00
81-0190RK-02	Cylinder, Cl2 5 ppm in N2, 58AL	340.00
81-0190RK-04	Cylinder, Cl2 5 ppm in N2, 34AL	220.00
81-0191RK-02	Cylinder, Cl2 10 ppm in N2, 58AL	340.00
81-0191RK-04	Cylinder, Cl2 10 ppm in N2, 34AL	220.00
81-0192RK-02	Cylinder, Cl2 2 ppm in N2, 58AL	340.00
81-0192RK-04	Cylinder, Cl2 2 ppm in N2, 34AL	220.00
81-0194RK-02	Cylinder, HCl 10 ppm in N2, 58AL	300.00
81-0195RK-02	Cylinder, HCl 5 ppm in N2, 58AL	300.00
81-0195RK-04	Cylinder, HCl 5 ppm in N2, 34AL	280.00
81-0196RK-02	Cylinder, HCN 10 ppm in N2, 58AL	300.00
81-0196RK-04	Cylinder, HCN 10 ppm in N2, 34AL	280.00
81-0196RK-116	Cylinder, HCN 10 ppm in N2, 116L	340.00
81-1001RK	Dispensing valve, 17/34L, CGA 600 fitting	34.00
81-1004RK	Regulator, econo, with gauge, no knob, 34AL/58/103L, 0.5 LPM	100.00
81-1050RK	Regulator, with gauge & knob, 17/34L, 0.5 LPM, CGA 600 fitting	125.00
81-1050RK-15	Regulator, with gauge & knob, 17/34L, 1.5 LPM	125.00
81-1050RK-20	Regulator, with gauge & knob, 17/34L, 2.0 LPM	125.00
81-1050RK-25	Regulator, with gauge & knob, 17/34L, 0.25 LPM	125.00
81-1051RK	Regulator, with gauge & knob, 34AL/58AL/103L steel, 0.5 LPM, C-10 fitting	125.00
81-1051RK-10	Regulator, with gauge & knob, 34AL/58AL/103L/116L steel, 1.0 LPM, C-10 fitting	125.00
81-1051RK-15	Regulator, with gauge & knob, 34AL/58AL/103L/116L steel, 1.5 LPM, C-10 fitting	125.00
81-1051RK-20	Regulator, with gauge & knob, 34AL/58/103L, 2.0LPM	125.00
81-1051RK-25	Regulator, with gauge and knob, 34AL/58AL/103L steel, 0.25 LPM, C-10 fitting	125.00
81-1051RK-30	Regulator, with gauge and knob, 34AL/58AL/103L/116L steel, 3.0 LPM, C-10 fitting	125.00
81-1051RK-60	Regulator, with gauge & knob, 34AL/58AL/103L/116L steel, 6.0 LPM, C-10 fitting	125.00
81-1054RK	Regulator, demand flow for 34AL/58AL/103L/116L cylinders	280.00
81-1054RK-CGA33	Regulator, demand flow, with CGA330	400.00
81-1054RK-CGA35	Regulator, demand flow, with CGA350	400.00
81-1054RK-CGA59	Regulator, demand flow, with CGA590	400.00
81-1054RK-H2S	Regulator, demand flow for standard 4-gas in 34AL/58AL/103L/116L cylinders	240.00
81-1055RK	Regulator, demand flow for 17L/34L steel steel cylinders	280.00
81-1057RK-180	Regulator, with gauge & knob, CGA 180, for 552L 5E cyl, 0.5LPM	180.00
81-1057RK-580	Regulator, with gauge & knob, CGA 580, for 552L 5E cyl, 0.5LPM	180.00
81-1057RK-590	Regulator, with gauge & knob, CGA 590, for 552L 5E cyl, 0.5LPM	180.00
81-1059RK-20	Regulator, with gauge & knob, 17/34L, 2.0 LPM	125.00
81-1061RK	Regulator, with gauge & trigger, 34AL/58/103L, 0.5LPM (model 4210)	225.00
81-1062RK	Regulator, push-button with gauge & knob for 34AL/58/103L cylinders, 0.5LPM	125.00
81-1070RK	Recycling tool, releases all pressure from 34AL/58AL/103L steel cylinders	125.00
81-1071RK	Recycling tool, releases all pressure from 17L/34L steel cylinders	125.00
81-1101RK	Calibration adaptor for SD-703RI	155.00
81-1102RK	Calibration cup, for GD-F44	125.00
81-1103RK	Cal cup for IR 3/4" NPT sensor	15.00
81-1103RK-01	Calibration cup / splash guard, for IR 3/4" NPT sensor, with diffuser holes	40.00
81-1104RK	Calibration adapter for -01 series & GasWatch 2	22.00
81-1106RK	Sample adaptor for GX-2001 or GX-2009, rigid plastic, used with RP-6	26.00
81-1107RK	Cal cap for GX-2001 and GX-2009	17.00

Numerical Index

Part#	Description	Suggested Retail
81-1109RK	Cal cup for 82 single gas series, GX-82/86/91B (Not for GX-82A or GX-86A)	50.00
81-1112RK	Cal cup, LEL, Screw on,w/fittings, for 1/2 NPT sensor	74.00
81-1112RK-01	Cal cup with diffuser holes, for 1/2 NPT sensor	50.00
81-1113RK	Cal cup, PS-2, with Screws	5.00
81-1114RK	Cal cup, diffusion, super toxic, GD-K8A, (rim feed)	26.00
81-1116RK	Cal cup/splash guard assembly, for CT7 sensor housing	60.00
81-1117RK	Cal cup, standard, fixed systems, for conduit mounting, LEL/O2/H2S/CO, (NPT type)	50.00
81-1120RK	Cal cup for GD-A8 and GD-A8V,w/fitting	110.00
81-1122RK	Cal cup for RKI potted 1/2 NPT sensor	20.00
81-1122RK-01	Cal cup w/diffuser holes, for RKI potted 1/2 NPT	45.00
81-1123RK	Cal cup, diffusion EAGLE	34.00
81-1126RK	Gas bag with fitting & hose barb, 9" x 12" tedlar, 3 liters	30.00
81-1127RK	Gas bag with fitting & hose barb, 12x12, tedlar, 5 liters	33.00
81-1128RK	Gas bag with fitting & hose barb, 15 x 15, tedlar, 10 liters	48.00
81-1131RK	Gas bag, Green, LEL range, for RI/RX-415	45.00
81-1132RK	Gas bag, Orange, Volume range, for RI/RX-415	45.00
81-1133RK	Sample adapter,screw-on,CT-7 type fixed sensor,flow through	50.00
81-1138RK	Cal cup for ESM-01 diffusion sensors, fixed systems (not for Cl2 or NH3)	76.00
81-1138RK-CL2	Cal cup for ESM-01 diffusion chlorine sensors, fixed systems	76.00
81-1138RK-NH3	Cal cup for ESM-01 diffusion ammonia sensors, fixed systems	76.00
81-1139RK	Cal cup for general SC-01 use, (NOT for CL2 or NH3)	100.00
81-1139RK-CL2	Cal cup for chlorine (Cl2) SC-01	105.00
81-1139RK-NH3	Cal cup for ammonia (NH3) SC-01	105.00
81-1144RK	Calibration cup for GD-A2400 and SD-2500	140.00
81-1145RK	Gas bag,PVC,10.1 x 8.1 inches,2 liter,w/2.5 inch tube	18.00
81-1146	Calibration adapter for 03 and 04 series	30.00
81-1146-01	Calibration adapter for 03 Series with velcro strap and 1 ft tube on inlet	40.00
81-1148	Calibration cup for SD-1GP/SD-1GH (except SD-1GH for NH3)	120.00
81-1148-NH3	Calibration cup for SD-1GP (NH3) / SD-1RI	120.00
81-1148-OX	Calibration cup for SD-1 with O2, CO, or H2S	390.00
81-1148-RIGH	Calibration cup for SD-1GH (NH3)/SD-1RI	120.00
81-1149	Calibration cup for GD-A88	70.00
81-1153	Cal cup for OX-600 / EC-600	45.00
81-1155	RP-3R pump for GX-3R/GX-3R Pro	54.00
81-1160RK	Hand aspirated sampler, with 10' hose and probe, GX-2001 or GX-2009	95.00
81-1160RK-15	Hand aspirated sampler, with 15' hose and probe, GX-2001 or GX-2009	97.00
81-1160RK-20	Hand aspirated sampler, with 20' hose and probe, GX-2001 or GX-2009	99.00
81-1160RK-30	Hand aspirated sampler, with 30' hose and probe, GX-2001 or GX-2009	105.00
81-1160RK-40	Hand aspirated sample adapter,GX-2009 and GX-2001,w/40'hose	110.00
81-1160RK-45	Hand aspirated sample adapter,GX-2009 and GX-2001,w/45'hose	112.00
81-1160RK-NH	Hand aspirated sample adapter,GX-2009 and GX-2001,no hose and probe	49.00
81-1161	Hand aspirated sample adapter for GX-3R with 10' hose & probe	95.00
81-1161-15	Hand aspirated sample adapter,GX-3R,w/15 foot hose	92.00
81-1161-20	Hand aspirated sample adapter,GX-3R,w/20 foot hose	96.00
81-1161-30	Hand aspirated sample adapter,GX-3R,w/30 foot hose	104.00
81-1161-40	Hand aspirated sample adapter,GX-3R,w/40 foot hose	112.00
81-1161-45	Hand aspirated sample adapter,GX-3R,w/45 foot hose	116.00
81-1162	Hand aspirated sample adapter for GX-3R Pro with 10' hose	85.00
81-1162-15	Hand aspirated sample adapter,GX-3R Pro,w/15 foot hose	92.00
81-1162-20	Hand aspirated sample adapter,GX-3R Pro,w/20 foot hose	96.00
81-1162-30	Hand aspirated sample adapter,GX-3R Pro,w/30 foot hose	104.00
81-1162-40	Hand aspirated sample adapter,GX-3R Pro,w/40 foot hose	112.00
81-1162-45	Hand aspirated sample adapter,GX-3R Pro,w/45 foot hose	116.00
81-1162-NH	Hand aspirated sample adapter,GX-3R Pro,no hose and probe	25.00
81-1176RK	RP-2009 pump with 4" rubber nipple for GX-2009 or GX-2001	360.00
81-1177RK	RP-2009 pump with 4" rubber nipple, 10' hose and probe for GX-2009 or GX-2001	420.00
81-1177RK-20	RP-2009 pump with 4" rubber nipple, 20' hose and probe for GX-2009 or GX-2001	425.00
81-1177RK-30	RP-2009 pump,w/30 ft hose/10 inch probe/4 inch nipple	430.00
81-1183	Cal cup with 3 ft 1/8" ID x 1/4" OD teflon tubing for T2A/T3A/VOC Pro/AirLink 6900 type detectors	175.00
81-1184	Rain guard for T2A/T3A/VOC Pro type explosion proof detector	20.00

Numerical Index

Part#	Description	Suggested Retail
81-1185	Cal cup with 3 ft 1/8" ID x 1/4" OD teflon tubing, for non explosion proof Air Alert and AirLink Alert type detectors	45.00
81-1186	Cal cup for Freon sensor with 3 ft tubing, non explosion proof Air Alert and AirLink Alert type detectors	190.00
81-1190RK	Splash guard for ESM-01 detectors	20.00
81-1192	Calibration adapter for GX-3R	10.00
81-1193	Calibration adapter for GX-3R Pro	10.00
81-1194	Calibration adapter for GasWatch 3	24.00
81-1197	RP-3R pump with tapered red nozzle for GX-3R	360.00
81-1198	RP-3R pump with 10 ft hose, 10 inch probe, and tapered red nozzle for GX-3R	420.00
81-1198-20	RP-3R pump with 20 ft hose, 10 inch probe, and tapered red nozzle for GX-3R	425.00
81-1198-30	RP-3R pump with 30 ft hose, 10 inch probe, and tapered red nozzle for GX-3R	430.00
81-1199	RP-3R Pro pump with tapered red nozzle for GX-3R Pro	360.00
81-1200	RP-3R Pro pump with 10 ft hose, 10 inch probe, and tapered red nozzle for GX-3R Pro.....	420.00
81-1200-20	RP-3R Pro pump with 20 ft hose, 10 inch probe, and tapered red nozzle for GX-3R Pro.....	425.00
81-1200-30	RP-3R Pro pump with 30 ft hose/10 inch probe/tapered red nozzle	430.00
81-1500RK	Cylinder holder for 58 liter aluminum cylinders	20.00
81-1501RK	Cylinder holder for 103 liter steel cylinders and 116 liter aluminum cylinders	20.00
81-1502RK	Cylinder holder for 17/34 liter steel cylinders, and for 34 liter aluminum cylinders	20.00
81-2113RK	CSK,GX-2012,w 34 liter 4-gas cylinder demand flow regulator cal kit,w/out instrument	565.00
81-2120-103-1K	Cal kit, Digester 101, 58AL cyl H2S 200 ppm in N2, demand flow regulator, case, and tubing	490.00
81-2120-401-1K	Cal kit, Digester 401, 58L steel cyl CO2 40% vol / CH4 60% vol in N2, 58AL cyl H2S 200 ppm in N2, demand flow regulator, case, and tubing	585.00
81-2120-401-5K	Cal kit, Digester 401, 58L steel cyl CO2 40% vol / CH4 60% vol in N2, 58AL cyl H2S 500 ppm in N2, demand flow regulator, case, and tubing	585.00
81-2120RKA	Confined space kit includes padded case, RP-2009 pump, 10' hose, and probe (instrument and charger sold separately).....	540.00
81-2123RK	Confined space kit with hand aspirator assembly with 10' hose, probe, 34AL H2S (25 ppm)/CO/O2/CH4, regulator, padded case, calibration cap, and cal tubing (instrument and charger sold separately)	590.00
81-2124RKA	Confined space kit with RP-2009 pump, 10' hose, probe, calibration cap, 34AL H2S (25 ppm)/CO/O2/CH4, regulator, padded case, and cal tubing (instrument and charger sold separately).....	800.00
81-34SNG-DLV	Cal Kit with no gas,reg for 34L steel cyl	415.00
81-429	AirLink 6940 cal kit equipment for 1-2 cylinders, includes carrying case, regulator for 34AL/58AL/103L cylinders, tubing, cal cup (cylinders sold separately)	360.00
81-429-LV	AirLink 6940 cal kit equipment for 1-2 cylinders, includes carrying case, regulator for 34AL cylinders, tubing, cal cup (cylinders sold separately)	400.00
81-439	AirLink 6940 cal kit equipment for 3 cylinders, includes carrying case, regulator for 34AL/58AL/103L cylinders, tubing, cal cup (cylinders sold separately)	425.00
81-449	AirLink 6940 cal kit equipment for 4 cylinders, includes carrying case, regulator for 34AL/58AL/103L cylinders, tubing, cal cup (cylinders sold separately)	550.00
81-5101RK	Cal kit, EAGLE/EAGLE 2, 103L steel cyl 50% LEL Methane/Air, dem flow reg, case & tubing	495.00
81-5101RK-20	Cal kit, EAGLE/EAGLE 2, 103L steel cyl 20% LEL Methane/Air, dem flow reg, case & tubing	495.00
81-5101RK-DLV	Cal kit, EAGLE/EAGLE 2, 34L cyl 50% LEL Methane/Air, dem flow reg, case & tubing	455.00
81-5101RK-H2	Cal kit, EAGLE, 103L steel cyl 50% LEL Hydrogen/Air, dem flow reg, case & tubing	495.00
81-5101RK-H2B	Cal kit, EAGLE, 103L steel cyl 50% LEL Hydrogen/Air, reg, gas bag, case & tubing	370.00
81-5101RK-H2DLV	Cal kit, EAGLE, 34L cyl 50% LEL Hydrogen/Air, dem reg, case & tubing	455.00
81-5101RK-H2LV	Cal kit, EAGLE, 34L cyl 50% LEL Hydrogen/Air, disp valve, gas bag, case & tubing	240.00
81-5101RK-HDLV	Cal kit, EAGLE, 34L cyl 15% LEL Hexane/Air, dem reg, case & tubing	455.00
81-5101RK-HLV	Cal kit, EAGLE, 34L cyl 15% LEL Hexane/Air, disp valve, gas bag, case & tubing	240.00
81-5101RK-ISO	Cal kit, EAGLE, 103L steel cyl 50% LEL Isobutane/Air, dem flow reg, case & tubing	495.00
81-5101RK-LV	Cal kit, EAGLE, 34L cyl 50% LEL Methane/Air, disp valve, sample bag, case & tubing	240.00
81-5101RK25DLV	Cal Kit,EAG,25% LEL methane,demand reg,34L	455.00
81-5101RKH2LV10	Cal kit, EAGLE, 34L cyl 4000 ppm H2 in air, reg with gauge & knob, gas bag, screwdriver, case & tubing ...	240.00
81-5101RKI-DLV	Cal kit, EAGLE, 34L cyl 50% LEL Isobutane/Air, dem flow reg, case & tubing	410.00
81-5101RKIB-DLV	Cal kit, EAGLE, 34L steel isobutane 50% LEL in air, demand flow regulator, case & tubing	455.00
81-5101RKIPADLV	Cal Kit,EAG,10% LEL IPA,demand reg,17L	470.00
81-5101RKP	Cal kit, EAGLE, 103L steel cyl 50% LEL Propane/Air, dem flow reg, case & tubing	495.00
81-5101RKP25	Cal kit, EAGLE, 34L cyl 25% LEL Propane in air, demand flow regulator, case & tubing	495.00
81-5102RK-DLV	Cal kit, EAGLE/EAGLE 2, 34L cyl 100% Nitrogen, dem flow reg, case & tubing	455.00
81-5102RK-LV	Cal kit, EAGLE, 34L cyl 100% N2, disp valve, gas bag, case & tubing	240.00
81-5102RKNG-LV	Cal kit, EAGLE, with no gas, disp valve, gas bag, case & tubing	185.00
81-5103RK-DLV	Cal kit, EAGLE, 34AL cyl 25 ppm Hydrogen Sulfide/N2,dem flow reg, case & tubing	545.00

Numerical Index

Part#	Description	Suggested Retail
81-5103RK1000	Cal kit, EAGLE, 58AL cyl 50 ppm Hydrogen Sulfide/N2,reg, gas bag, case & tubing	370.00
81-5104RK	Cal Kit,EAG,CO,103L	510.00
81-5104RK-LV	Cal kit, EAGLE, 34L cyl 50 ppm Carbon Monoxide/Air, disp valve, gas bag, case & tubing	240.00
81-5105RK-LV	Cal kit, EAGLE, 34AL cyl 5 ppm SO2/N2, reg, gas bag, screwdriver, case & tubing	430.00
81-5106RK	Cal kit, EAGLE, 58AL cyl 2 ppm Chlorine/N2, dem flow reg, screwdriver, case & tubing	725.00
81-5106RK-DLV	Cal kit, EAGLE, 34AL cyl 2 ppm Chlorine/N2, dem reg, screwdriver, case & tubing	660.00
81-5106RK-LV	Cal kit, EAGLE, 34AL cyl 2 ppm Chlorine/N2, reg, gas bag, screwdriver, case & tubing	535.00
81-5107RKS-LV	Cal kit, EAGLE, 34AL cyl PH3/N2, 34L cyl N2 100%, reg, gas bag, screwdriver, case & tubing	760.00
81-5108RK	Cal kit, EAGLE, 58AL cyl 0.5 ppm Phosphine/N2, dem flow reg, screwdriver, case & tubing	685.00
81-5108RK-DLV	Cal kit, EAGLE, 34AL cyl 0.5 ppm Phosphine/N2, dem reg, screwdriver, case & tubing	690.00
81-5110RK	Cal kit, EAGLE, 58AL cyl 5 ppm Hydrogen Chloride/N2, reg, gas bag,screwdriver, case & tubing	560.00
81-5110RK-LV	Cal kit, EAGLE, 34AL cyl 5 ppm Hydrogen Chloride in N2, reg, gas bag, screwdriver, case & tubing	595.00
81-5111RK	Cal kit, EAGLE, 58AL cyl 10 ppm Ammonia/N2, dem flow reg, screwdriver, case & tubing.....	685.00
81-5111RK-DLV	Cal kit, EAGLE, 34AL cyl 10 ppm Ammonia/N2, dem reg, screwdriver, case & tubing.....	720.00
81-5111RK01	Cal kit, EAGLE, 58AL cyl 10 ppm Ammonia/N2, dem flow reg, screwdriver, case & tubing.....	740.00
81-5111RK01-DLV	Cal kit, EAGLE, 34AL cyl 25 ppm Ammonia/N2, dem reg, screwdriver, case & tubing.....	720.00
81-5111RK01-LV	Cal kit, EAGLE, 34AL cyl 10 ppm Ammonia/N2,reg, gas bag, screwdriver, case & tubing	595.00
81-5112RK	Cal kit, EAGLE, 58AL cyl 2 ppm Chlorine/N2, dem flow reg, screwdriver, case & tubing	725.00
81-5112RK-LV	Cal Kit, EAGLE, 34AL cyl 2 ppm Chlorine/N2, reg with gauge & knob, gas bag, screwdriver, case & tubing	535.00
81-5113RK	Cal Kit, EAGLE, 58AL cyl 25 ppm Nitric Oxide/N2, dem flow reg, screwdriver, case & tubing	685.00
81-5114RK	Cal Kit, EAGLE, 58AL cyl 10 ppm Nitrogen Dioxide/Air, dem flow reg, screwdriver, case & tubing	685.00
81-5114RK-LV	Cal kit, EAGLE, 34AL cyl 10 ppm Nitrogen Dioxide/Air, reg with gauge & knob, screwdriver, case & tubing	575.00
81-5115RK02	Cal kit, EAGLE, 103L steel cyl 5,000 ppm CO2/N2, dem flow reg, screwdriver, case & tubing.....	495.00
81-5115RK03	Cal kit, EAGLE, 103L steel cyl 2.5% CO2/N2, dem flow reg, screwdriver, case & tubing	510.00
81-5115RK04DLV	Cal kit, EAGLE, 34L cyl 15% CO2 in N2, dem reg, case & tubing	470.00
81-5115RK05-LV	Cal kit, EAGLE, 34L cyl 15% CO2/N2, disp valve, gas bag, screwdriver, case & tubing.....	250.00
81-5120RK	Cal kit, EAGLE, 58L cyl 50% vol Methane/N2, dem flow reg, screwdriver, case & tubing	520.00
81-5120RK-LV	Cal kit, EAGLE, 34L 50% vol Methane/N2, disp valve, gas bag, screwdriver, case & tubing.....	250.00
81-5123RK-DLV	Cal kit, EAGLE, 34AL cyl 10 ppm Hydrogen Cyanide/N2, dem reg, screwdriver, case & tubing	620.00
81-5201RK	Cal kit, EAGLE, 103L steel cyl CH4/CO/O2, dem flow reg, case & tubing	495.00
81-5201RK-DLV	Cal kit, EAGLE, 34L cyl CH4/CO/O2, dem reg, screwdriver, case & tubing	455.00
81-5201RK-HLV	Cal kit, EAGLE, 34L cyl CO/Hex/O2, disp valve, gas bag, case & tubing	240.00
81-5201RK-LV	Cal kit, EAGLE, 34L cyl CH4/CO/O2, disp valve, gas bag, case & tubing	240.00
81-5201RKH	Cal kit, EAGLE, 103L steel cyl CO/Hex/O2, dem flow reg, case & tubing	495.00
81-5201RKH2-DLV	Cal Kit,EAG,LEL H2/O2,demand reg,34L	525.00
81-5201RKIB-DLV	Cal kit, EAGLE, 34L cyl isobutane/air, 34L 100% N2, dem reg, case & tubing	525.00
81-5201RKP	Cal kit, EAGLE, 103L steel cyl CO/Pentane/O2, dem flow reg, case & tubing	495.00
81-5201RKTR1	Cal kit, EAGLE, 103L steel cyl 50% LEL H2/Air, 103L steel cyl 100% N2, dem flow reg, case & tubing	645.00
81-5201RKTR1-LV	Cal kit, EAGLE, 34L cyl 50% LEL H2/Air, 34L cyl 100% N2, disp valve, gas bag, case & tubing.....	295.00
81-5202RK	Cal kit, EAGLE, 103 L cyl CH4/CO/O2, dem flow reg, case & tubing	495.00
81-5202RK-H	Cal kit, EAGLE, 103L steel cyl 15% LEL HEX/CO/O2, dem flow reg, case & tubing	495.00
81-5202RK-LV	Cal kit, EAGLE, 34L cyl CH4/CO/O2, disp valve, gas bag, case & tubing	240.00
81-5202RKPRODLV	Cal kit, EAGLE, 34L cyl LEL propane/air, 34L 100% nitrogen, dem flow reg, case & tubing.....	355.00
81-5203RK	Cal kit, EAGLE, 58AL cyl H2S (25 ppm)/CO/CH4/O2, dem flow reg, case & tubing	535.00
81-5203RK-LV	Cal kit, EAGLE, 34AL cyl H2S (25 ppm)/CO/CH4/O2, reg with gauge & knob, gas bag, case & tubing	435.00
81-5204RK-DLV	Cal kit, EAGLE, 34L cyl CH4/CO/O2, 34L 100% N2, dem reg, case & tubing	455.00
81-5211RK-DLV	Cal kit, EAGLE, 34AL cyl NH3 25 ppm in N2, 34AL cyl Cl2 2 ppm in N2, demand flow reg, case & tubing	1,220.00
81-5212RK-LV	Cal kit, EAGLE, 34AL cyl NH3/N2, 58AL cyl SiH4/N2, reg with gauge & knob, gas bag, screwdriver, case & tubing	790.00
81-5213RK-LV	Cal kit, EAGLE, 34AL cyl Cl2/N2, 58AL cyl SiH4/N2, reg with gauge & knob, gas bag, screwdriver, case & tubing	730.00
81-5220RK	Cal kit, EAGLE, 58AL cyl Cl2 2 ppm in N2, dem flow reg, case & tubing	725.00
81-5220RK-LV	Cal kit, EAGLE, 34AL cyl Cl2 in N2, demand flow reg, screwdriver, case & tubing	535.00
81-5221RK	Cal kit, EAGLE, 58AL cyl SO2/ N2, 58AL cyl HCl/N2, dem flow reg, screwdriver, case & tubing	845.00
81-5222RK02	Cal kit, EAGLE, 103L steel cyl 5,000 ppm CO2/N2, dem flow reg, screwdriver, case & tubing.....	495.00
81-5222RK02-LV	Cal kit, EAGLE, 34L cyl 5,000 ppm CO2/N2, disp valve, gas bag, screwdriver, case & tubing	240.00
81-5222RK03	Cal kit, EAGLE, 103L steel cyl 2.5% CO2/N2, dem flow reg, screwdriver, case & tubing	510.00
81-5222RK05	Cal kit, EAGLE, 103L steel cyl 15% CO2/N2, dem flow reg, screwdriver, case & tubing	510.00
81-5223RK02	Cal kit, EAGLE, 103L steel cyl 5,000 ppm CO2/N2, 58AL cyl NH3/N2, dem flow reg, screwdriver, case & tubing	810.00
81-5223RK03	Cal kit, EAGLE, 103L steel cyl 2.5% CO2/N2, 58AL cyl NH3/N2, dem flow reg, screwdriver, case & tubing...	835.00

Numerical Index

Part#	Description	Suggested Retail
81-5228RK-DLV	Cal Kit,EAG,NO in N2 34AL,NO2 in air 34AL,dem flow reg,case,tubing	960.00
81-5234RK-DLV	Cal kit, EAGLE, 34AL cyl 25 ppm NH3/N2, 103L steel cyl 50 ppm CO/air, dem flow reg, screwdriver, case & tubing	790.00
81-5238RK	Cal kit, EAGLE, 103L steel cyl 50% LEL CH4/Air, 58L steel cyl 50% vol CH4/N2, dem flow reg, screwdriver, case & tubing	670.00
81-5243RK02	Cal kit, EAGLE, 103L steel cyl 50% LEL Methane/Air, 103L steel cyl 5,000 ppm CO2/N2, dem flow reg, screwdriver, case & tubing	660.00
81-5243RK3H2DLV	Cal Kit,EAG,50% LEL H2/2.5% CO2,dem reg,34L	525.00
81-5244RK-DLV	Cal kit, EAGLE, 34AL 5 ppm SO2 in n2, 34AL cyl 10 ppm NO2 in n2, dem reg, case & tubing	840.00
81-5256RK-LV	Cal kit, EAGLE, 34AL cyl Cl2/N2, 34AL cyl NH3/N2, reg with gauge & knob, gas bag, screwdriver, case & tubing	1,150.00
81-5259RK-LV	Cal kit, EAGLE, 34AL cyl NH3/N2, reg with gauge & knob, gas bag, screwdriver, case & tubing	595.00
81-5262RK-LV	Cal kit, EAGLE, 34L cyl 50% LEL H2/Air, 34AL cyl PH3/N2, disp valve, reg with gauge & knob, gas bag, screwdriver, case & tubing	665.00
81-5265RK02-DLV	Cal kit, EAGLE, 34AL 25 ppm H2S in N2, 103L steel cyl 5000 ppm CO2 in N2, dem reg, case & tubing	640.00
81-5265RK03-DLV	Cal kit, EAGLE, 34AL 25 ppm H2S in N2, 103L steel cyl 2.5% CO2 in N2, dem reg, case & tubing	640.00
81-5265RK04-DLV	Cal kit, EAGLE, 34AL 25 ppm H2S in N2, 103L steel cyl 15% CO2 in N2, dem reg, case & tubing	640.00
81-5265RK04KLV	Cal Kit,EAG,50 ppm H2S/N2,58AL,15% CO2,103L, reg, gas bag	530.00
81-5266RK-LV	Cal kit, EAGLE, 34AL cyl Cl2/N2, 34AL cyl HCl/N2, reg with gauge & knob, gas bag, screwdriver, case & tubing	815.00
81-5272RK-LV	Cal kit, EAGLE, 34AL cyl SO2/N2, 34AL cyl NH3/N2, reg with gauge & knob, gas bag, screwdriver, case & tubing	735.00
81-5276RK-DLV	Cal kit, EAGLE, 34AL cyl PH3 0.5 ppm in N2, 34AL cyl Cl2 2 ppm in N2, demand flow regulator, case & tubing	910.00
81-5278RKH2-DLV	Cal kit, EAGLE, 34L cyl 50% LEL Hydrogen/Air, 34L cyl 50 ppm CO/Air, dem flow reg, screwdriver, case & tubing	510.00
81-5286RK	Cal kit, EAGLE, 103L steel cyl 50% LEL CH4/Air, 103L steel cyl 10 ppm NO2/N2, dem flow reg, screwdriver, case & tubing	795.00
81-5296RK	Cal kit, EAGLE, 103L steel cyl 50% LEL CH4/Air, 58AL cyl 2 ppm Cl2/N2, dem flow reg, screwdriver, case & tubing	755.00
81-5300-09-LV	Cal kit, EAGLE/EAGLE 2, 103L steel cyl 20% LEL Methane/Air, dem flow reg, case & tubing	780.00
81-5301RK	Cal kit, EAGLE, 58AL cyl H2S/CO/CH4/O2, dem flow reg, case & tubing	535.00
81-5301RK-H	Cal kit, EAGLE, 58AL cyl H2S/CO/Hex/O2, dem flow reg, case & tubing	565.00
81-5301RK-LV	Cal kit, EAGLE, 34AL cyl H2S/CO/CH4/O2, reg with gauge & knob, gas bag, case & tubing	435.00
81-5302RK	Cal kit, EAGLE, 103L steel cyl CO/CH4/O2, dem flow reg, case & tubing	495.00
81-5302RK-H	Cal kit, EAGLE, 103L steel cyl CO/Hex/O2, dem flow reg, case & tubing	495.00
81-5302RK-HDLV	Cal kit, EAGLE, 34L cyl CO/Hex/O2, dem flow reg, case & tubing	470.00
81-5302RK-HLV	Cal kit, EAGLE, 34L cyl CO/Hex/O2, disp valve, gas bag, case & tubing	240.00
81-5302RK-LV	Cal kit, EAGLE, 34L cyl CO/CH4/O2, disp valve, gas bag, case & tubing	240.00
81-5302RKNG	Cal kit, EAGLE, reg with gauge & knob, gas bag, case for 58AL / 103L steel cylinders & tubing (No Gas) ...	345.00
81-5302RKP	Cal kit, EAGLE, 103L steel cyl 25% LEL Pent/CO/O2, dem flow reg, case & tubing	495.00
81-5304RK-LV	Cal Kit,EAG,LEL/O2,34L, PH3/N2,34AL	665.00
81-5308RK	Cal kit, EAGLE, 103L steel cyl CO/CH4/O2, 58AL cyl Cl2/N2, dem flow reg, screwdriver, case & tubing	875.00
81-5308RKP	Cal kit, EAGLE, 103L steel cyl 25% LEL Pent/CO/O2, 58AL cyl Cl2/N2, dem flow reg, screwdriver, case & tubing	875.00
81-5310RK	Cal kit, EAGLE, 103L steel cyl CO/CH4/O2, 58AL cyl Cl2/N2, dem flow reg, screwdriver, case & tubing	875.00
81-5311RK-LV	Cal Kit,EAG,LEL/O2/HCl,34L	685.00
81-5316RK-03	Cal kit, EAGLE, 103L steel cyl 2.5% CO2/N2, 103L steel cyl CO/CH4/O2/N2, dem flow reg, screwdriver, case & tubing	645.00
81-5316RK01	Cal kit, EAGLE, 103L steel cyl d 2,000 ppm CO2/N2, 103L steel cyl CO/CH4/O2, dem flow reg, screwdriver, case & tubing	660.00
81-5316RK01-LV	Cal kit, EAGLE, 34L cyl of 2,000 ppm CO2/ N2, 34L cyl CO/CH4/O2, disp valve, gas bag, case & tubing ...	305.00
81-5316RK01DLV	Cal kit, EAGLE, 34L cyl 2,000 ppm CO2/N2, 34L cyl CO/CH4/O2/N2, dem flow reg, screwdriver, case & tubing	525.00
81-5316RK02	Cal kit, EAGLE, 103L steel cyl 5000 ppm CO2/N2, 103L steel cyl CO/CH4/O2/N2, dem flow reg, screwdriver, case & tubing	660.00
81-5316RK02-LV	Cal kit, EAGLE, 34L cyl of 5,000 ppm CO2/ N2, 34L cyl CO/CH4/O2, disp valve, gas bag, case & tubing ...	305.00
81-5316RK03-DLV	Cal kit, EAGLE, 34L cyl 2.5% CO2/N2, 34L cyl CO/CH4/O2/N2, dem flow reg, screwdriver, case & tubing ...	525.00
81-5316RK03-HLV	Cal kit, EAGLE, 34L cyl 2.5% CO2/N2, 34L cyl CO/Hex/O2, disp valve, gas bag, screwdriver, case & tubing	305.00
81-5316RK03-LV	Cal kit, EAGLE, 34L cyl of 2.5% CO2/ N2, 34L cyl CO/CH4/O2, disp valve, gas bag, case & tubing	305.00
81-5316RK04	Cal kit, EAGLE, 103L steel cyl 15% CO2/N2, 34L cyl CO/CH4/O2, dem flow reg, screwdriver, case & tubing	660.00

Numerical Index

Part#	Description	Suggested Retail
81-5316RK04-DLV	Cal Kit,EAG,LEL/OXY/CO2,34L,W/DEMAND REG	525.00
81-5322RK	Cal kit, EAGLE, 58L cyl 50% vol CH4/N2, 103L steel cyl CO/50% LEL CH4/O2/N2, dem flow reg, screwdriver, case & tubing	670.00
81-5322RK-LV	Cal kit, EAGLE, 34L cyl 50% vol CH4/N2, 34L cyl CO/CH4/O2/N2, disp valve, gas bag, screwdriver, case & tubing	295.00
81-5326RK02-DLV	Cal Kit,EAG,O2/CO/5000 ppm CO2,34L,dem flow reg	525.00
81-5327RK	Cal kit, EAGLE, 58AL cyl H2S/N2, 58AL cyl SO2/N2, 58AL cyl HCl/N2, dem flow reg, screwdriver, case & tubing	1,265.00
81-5330RK	Cal kit, EAGLE, 58AL cyl H2S/N2, 58AL cyl NH3/N2, dem flow reg, case & tubing	795.00
81-5330RK-DLV	Cal kit, EAGLE, 34AL cyl H2S/N2, 34AL cyl NH3/N2, dem flow reg, screwdriver, case & tubing	810.00
81-5331RK-LV	Cal kit, EAGLE, 34L cyl 50% LEL CH4/air, 34AL cyl 5 ppm SO2/N2, 34AL cyl 10 ppm NO2/Air, reg with gauge & knob, disp valve, gas bag, screwdriver, case & tubing	805.00
81-5335RK-05	Cal kit, EAGLE, 58L cyl 50% vol CH4/N2, 103L steel cyl 15% CO2/N2, dem flow reg, screwdriver, case & tubing	670.00
81-5337RK	Cal kit, EAGLE, 58AL cyl H2S/CO/CH4/O2, dem flow reg, case & tubing	535.00
81-5339RK	Cal kit, EAGLE, 58AL cyl 5 ppm HCl/N2, reg with gauge & knob, gas bag, screwdriver, case & tubing	710.00
81-5350RK-DLV	Cal kit, EAGLE, 103L steel cyl 50% LEL Methane/Air, 58AL cyl SiH4/N2, 34AL cyl Cl2/N2, dem flow reg, case & tubing	1,150.00
81-5354RKIB-DLV	Cal kit, EAGLE, 34AL cyl 25 ppm H2S/CO/50% LEL isobutane/O2/N2, dem flow reg, screwdriver, case & tubing	575.00
81-5354RKIB-LV	Cal kit, EAGLE, 34AL cyl 25 ppm H2S/CO/50% LEL isobutane/O2/N2, reg with gauge & knob, gas bag, screwdriver, case & tubing	450.00
81-5355RK	Cal kit, EAGLE, 58AL cyl 50 ppm H2S/50% LEL isobutane/N2, reg with gauge & knob, gas bag, screwdriver, case & tubing	450.00
81-5355RK-LV	Cal kit, EAGLE, 34AL cyl 50 ppm H2S/50% LEL isobutane/N2, reg with gauge & knob, gas bag, screwdriver, case & tubing	440.00
81-5355RK-NG	Cal kit, EAGLE, reg with gauge & knob, gas bag, screwdriver, case for 58AL / 103L steel cylinders & tubing (No Gas)	230.00
81-5371RK03	Cal Kit,EAG,O2/H2S/CO2 2.5%,103L	640.00
81-5371RK05	Cal kit, EAGLE, 34AL cyl H2S/N2, 103L steel cyl 15% CO2/N2, dem flow reg, screwdriver, case & tubing ...	640.00
81-5384RK03-DLV	Cal kit, EAGLE, 34L cyl 2.5% CO2/N2, 17L cyl CO/Isobutane/O2, dem flow reg, screwdriver, case & tubing	515.00
81-5394RKH2-DLV	Cal kit, EAGLE, 103L steel cyl 50% LEL H2 in n2, 103L steel cyl 100 ppm CO in air, 34AL 5 ppm SO2 in n2, dem flow reg, screwdriver, case & tubing	940.00
81-5401RK	Cal kit, EAGLE, 58AL cyl H2S (25 ppm)/CO/CH4/O2, dem flow reg, case & tubing	535.00
81-5401RK-DLV	Cal kit, EAGLE, 34AL cyl H2S (25 ppm)/CO/CH4/O2, dem flow reg, case & tubing	560.00
81-5401RK-H	Cal kit, EAGLE, 58AL cyl H2S/CO/Hex/O2, dem flow reg, case & tubing	565.00
81-5401RK-HLVD	Cal kit, EAGLE, 34AL cyl H2S/CO/Hex/O2, dem flow reg, case & tubing	560.00
81-5401RK-LV	Cal kit, EAGLE, 34AL cyl H2S (25 ppm)/CO/CH4/O2, reg with gauge & knob, gas bag, case & tubing	435.00
81-5401RK-P	Cal kit, EAGLE, 58AL cyl H2S/CO/32% LEL Pent/O2, dem flow reg, case & tubing	565.00
81-5401RKD	Cal kit, EAGLE, 58AL cyl H2S (25 ppm)/CO/CH4/O2,reg with gauge & knob, cal cup, case & tubing	415.00
81-5401RKIB-DLV	Cal kit, EAGLE, 34AL cyl 25 ppm H2S/CO/50% LEL isobutane/O2/N2, dem flow reg, case & tubing	560.00
81-5401RKIB-LV	Cal Kit,EAG,H2S/CO/LELisobutane/O2,34L	435.00
81-5401RKID-PNT	Cal Kit,EAG,pentane/CO/LEL/O2,58L	440.00
81-5401RKNG	Cal kit, EAGLE, demand flow regulator, case for 58AL / 103L steel cylinders & tubing (No Gas).....	345.00
81-5401RKNG-LV	Cal kit, EAGLE, reg with gauge & knob, gas bag, screwdriver, case for 17/34L cylinders & tubing (No Gas)	275.00
81-5402RK	Cal kit, EAGLE, 58AL cyl H2S (25 ppm)/CO/CH4/O2, 58AL cyl SO2/N2, dem flow reg, case & tubing.....	695.00
81-5403RK	Cal kit, EAGLE, 58AL cyl SO2/CO/LEL/O2, dem flow reg, case & tubing	655.00
81-5403RK-DLV	Cal Kit,EAG,SO2/N2 34AL, CO/CH4/O2 103L,dem reg	635.00
81-5404RK	Cal kit, EAGLE, 58AL cyl H2S (25 ppm)/CO/CH4/O2, 58AL cyl Cl2/N2, dem flow reg, screwdriver, case & tubing	1,195.00
81-5405RK	Cal kit, EAGLE, 103L steel cyl CO/CH4/O2, 58AL cyl Cl2/N2, dem flow reg, screwdriver, case & tubing	875.00
81-5405RK-LV	Cal Kit,EAG,LEL/O2/CO/Cl2,34L	625.00
81-5406RK	Cal kit, EAGLE, 103L steel cyl CO/LEL/O2, 58AL cyl NH3/N2, 58AL cyl Cl2/N2, dem flow reg, screwdriver, case & tubing	1,570.00
81-5406RK-LV	Cal kit, EAGLE, 34L cyl CO/CH4/O2, 34AL cyl Cl2/N2, disp valve, reg with gauge & knob, case & tubing	1,030.00
81-5406RK-P	Cal kit, EAGLE, 103L steel cyl 25% LEL Pent/CO/O2, 58AL cyl NH3/N2, dem flow reg, screwdriver, case & tubing	1,570.00
81-5407RK-LV	Cal kit, EAGLE, 34L steel cyl CO 50 ppm/CH4 50% LEL/O2 12% vol in N2, 34AL cyl NH3 25 ppm in N2, 34AL cyl Cl2 2 ppm in N2, dispensing valve, two regulator with 6 LPM, gas bag, screwdriver, case & tubing	1,030.00
81-5408RK-LV	Cal kit, EAGLE, 34AL cyl NH3/N2, 34AL cyl PH3/N2, 34L cyl CO/CH4/O2, reg with gauge & knob, dispensing valve, gas bag, screwdriver, case & tubing	945.00

Numerical Index

Part#	Description	Suggested Retail
81-5410RK	Cal kit, EAGLE, 58AL cyl H2S (25 ppm)/CO/CH4/O2, 58AL cyl NH3/N2, dem flow reg, screwdriver, case & tubing	875.00
81-5410RK-LV	Cal kit, EAGLE, 34AL cyl H2S (25 ppm)/CO/CH4/O2, 34AL cyl NH3/N2, reg with gauge & knob, gas bag, screwdriver, case & tubing	755.00
81-5412RK	Cal kit, EAGLE, 103L steel cyl CO/LEL/O2, 58AL cyl 25 ppm NH3/N2, dem flow reg, screwdriver, case & tubing	835.00
81-5412RK-DLV	Cal kit, EAGLE, 103L steel cyl CO/LEL/O2, 34AL cyl 25 ppm NH3/N2, dem flow reg, screwdriver, case & tubing	815.00
81-5412RK01-LV	Cal kit, EAGLE, 34L cyl CO/CH4/O2, 34AL cyl 25 ppm NH3/N2, disp valve, reg with gauge & knob, gas bag, screwdriver, case & tubing	505.00
81-5412RKH	Cal kit, EAGLE, 103L steel cyl CO/Hex/O2, 58AL cyl 25 ppm NH3/N2, dem flow reg, screwdriver, case & tubing	950.00
81-5415RK-LV	Cal Kit,EAG,LEL/O2/CO,34L, NO/N2,34AL,disp valve,bag	665.00
81-5416RK01	Cal kit, EAGLE, 103L steel cyl 2,000 ppm CO2/N2, 103L steel cyl CO/CH4/O2, dem flow reg, screwdriver, case & tubing	660.00
81-5416RK01-DLV	Cal kit, EAGLE, 34L cyl 2,000 ppm CO2/N2, 34L cyl CO/CH4/O2, dem flow reg, screwdriver, case & tubing	525.00
81-5416RK01-LV	Cal Kit,EAG,LEL/O2/CO/CO2,34L	305.00
81-5416RK02	Cal kit, EAGLE, 103L steel cyl 5,000 ppm CO2/N2, 103L steel cyl CO/CH4/O2, dem flow reg, screwdriver, case & tubing	660.00
81-5416RK03	Cal kit, EAGLE, 103L steel cyl 2.5% CO2/N2, 103L steel cyl CO/CH4/O2, dem flow reg, screwdriver, case & tubing	660.00
81-5416RK03-DLV	Cal kit, EAGLE, 34L cyl 2.5% CO2/N2, 34L cyl CO/CH4/O2, dem flow, screwdriver, case & tubing	525.00
81-5416RK03-LV	Cal kit, EAGLE, 34L cyl 2.5% CO2/N2, 34L cyl CO/CH4/O2, disp valve, gas bag, screwdriver, case & tubing	305.00
81-5416RK04-LV	Cal kit, EAGLE, 34L cyl 15% CO2/N2, 34L cyl CO/CH4/O2, disp valve, gas bag, screwdriver, case & tubing	305.00
81-5416RK05-DLV	Cal kit, EAGLE, 34L steel cyl CO2 2.5% vol in N2, 34L steel cyl CO 50 ppm/ch4 50% LEL/O2 12% in N2, demand flow regulator, screwdriver, case & tubing	525.00
81-5417RK	Cal kit, EAGLE, 34L cyl CO/CH4/O2, 34AL cyl Cl2/N2, disp valve, reg with gauge & knob, gas bag, screwdriver, case & tubing	875.00
81-5421RK	Cal kit, EAGLE, 34L cyl CO/CH4/O2, 34AL cyl Cl2/N2, disp valve, reg with gauge & knob, gas bag, screwdriver, case & tubing	990.00
81-5421RK-LV	Cal Kit,EAG,LEL/O2/CO/HCl,34L & 34AL.....	685.00
81-5422RK	Cal kit, EAGLE, 34L cyl CO/CH4/O2, 34AL cyl SO2/N2, 34AL cyl Cl2/N2, disp valve, reg with gauge & knob, screwdriver, case & tubing	1,195.00
81-5424RK-LV	Cal Kit,EAG,LEL/O2/CO 34L,SiH4/N2 34AL,HCl/N2 34AL	1,025.00
81-5438RK	Cal kit, EAGLE, 58L cyl 50% vol CH4/N2, 103L steel cyl CO/50% LEL CH4/O2/N2, dem flow reg, screwdriver, case & tubing	670.00
81-5438RK-LV	Cal kit, EAGLE, 34L cyl 50% vol CH4/N2, 34L CO/CH4/O2/N2, disp valve, gas bag, screwdriver, case & tubing	295.00
81-5439RK01	Cal kit, EAGLE, 103L steel cyl 2,000 ppm CO2/N2, 58AL cyl 25 ppm H2S/CO/CH4/O2/N2, dem flow reg, screwdriver, case & tubing	700.00
81-5439RK01-H	Cal kit, EAGLE, 58AL cyl 25 ppm H2S/CO/15% LEL Hexane/O2/N2, 103L steel cyl 2,000 ppm CO2/N2, dem flow reg, screwdriver, case & tubing	715.00
81-5439RK02-DLV	Cal kit, EAGLE, 34L cyl 5,000 ppm CO2/N2, 34AL cyl H2S/CO/CH4/O2, dem reg, screwdriver, case & tubing	655.00
81-5439RK02-LV	Cal kit, EAGLE, 34L cyl 5,000 ppm CO2/N2, 34AL cyl H2S/CO/CH4/O2, disp valve, reg with gauge & knob, gas bag, screwdriver, case & tubing	535.00
81-5439RK03-DLV	Cal kit, EAGLE, 34L cyl 2.5% vol CO2/N2, 34AL cyl H2S/CO/CH4/O2, dem reg, screwdriver, case & tubing	655.00
81-5439RK03-H	Cal kit, EAGLE, 103L steel cyl 2.5% CO2/N2, 58AL cyl H2S/CO/CH4/O2, dem flow reg, screwdriver, case & tubing	730.00
81-5439RK03-HLV	Cal kit, EAGLE, 34L cyl 2.5% CO2/N2, 34AL cyl H2S/CO/CH4/O2, disp valve, reg with gauge & knob, gas bag, screwdriver, case & tubing	535.00
81-5439RK04-HLV	Cal kit, EAGLE, 34L cyl 15% CO2/N2, 34AL cyl H2S/CO/Hex/O2, disp valve, reg with gauge & knob, gas bag, case & tubing	535.00
81-5439RK05-DLV	Cal kit, EAGLE, 34L cyl 15% CO2/N2, 34AL cyl 25 ppm H2S/CO/CH4/O2/N2, dem flow reg, screwdriver, case & tubing	655.00
81-5440RK	Cal kit, EAGLE, 103L steel cyl CO/LEL/O2, 58AL cyl PH3/N2, 58AL cyl HCl/N2, reg with gauge & knob, gas bag, screwdriver, case & tubing	1,250.00
81-5440RKH	Cal kit, EAGLE, 103L steel cyl CO/15% LEL Hexane/O2/N2, 58AL cyl PH3/N2, 58AL cyl HCl/N2, reg with gauge & knob, gas bag, screwdriver, case & tubing	1,405.00
81-5441RK	Cal kit, EAGLE, 58L cyl 50% vol CH4/N2, 103L steel cyl CO/CH4/O2, dem flow reg, screwdriver, case & tubing	670.00

Numerical Index

Part#	Description	Suggested Retail
81-5442RK	Cal kit, EAGLE, 58L cyl 50% vol CH4/N2, 58AL cyl 25 ppm H2S/CO/50% LEL CH4/O2/N2, dem flow reg, screwdriver, case & tubing	710.00
81-5445RK-LV	Cal kit, EAGLE, 34L cyl CO/N2, 34AL cyl NH3/N2, 34AL cyl Cl2/N2, disp valve, reg with gauge & knob, gas bag, screwdriver, case & tubing	1,030.00
81-5448RK05H2	Cal kit, EAGLE, 103L steel cyl 50% LEL H2/N2, 103L steel cyl 15% CO2/N2, 34AL cyl NH3/N2, dem flow reg, screwdriver, case & tubing	1,080.00
81-5451RK	Cal kit, EAGLE, 58L cyl 50% vol CH4/N2, 58AL cyl H2S/CO/CH4/O2, dem flow reg, case & tubing	695.00
81-5452RK	Cal Kit,EAG,LEL/O2/C, 103L, HCN/N2, 58AL,dem flow reg	810.00
81-5452RK-LV	Cal kit, EAGLE, 34L cyl CO/CH4/O2, 34AL cyl HCN/N2, reg with gauge & knob, disp valve, gas bag, case & tubing	670.00
81-5464RK-LV	Cal kit, EAGLE, 34L cyl CO/CH4/O2/N2, 34AL cyl 25 ppm NH3/N2, reg with gauge & knob, disp valve, gas bag, screwdriver, case & tubing	740.00
81-5468RK03-DLV	Cal Kit,EAG,LEL/O2/H2S/CO2,34L,dem flow reg	670.00
81-5468RK03-LV	Cal kit, EAGLE, 34L cyl 2.5% CO2/N2, 34AL cyl 25 ppm H2S/CO/CH4/O2/N2, reg with gauge & knob, disp valve, gas bag, screwdriver, case & tubing	535.00
81-5473RK-LV	Cal kit, EAGLE, 34L cyl CO/CH4/O2, 34AL cyl Cl2/N2, 34L cyl 100% N2, reg with gauge & knob, disp valve, gas bag, screwdriver, case & tubing	840.00
81-5474RK03	Cal Kit,EAG,LEL/CH4vol/O2/CO2 2.5%,103,58L	935.00
81-5474RK04	Cal kit, EAGLE, 58L cyl 50% vol CH4/N2, 103L steel cyl 5,000 ppm CO2/N2, 103L steel cyl CO/50% LEL CH4/O2/N2, dem flow reg, screwdriver, case & tubing	935.00
81-5474RK05	Cal Kit,EAG,LEL/O2/H2S, 34AL, 15% CO2,103L	655.00
81-5474RK20	Cal kit, EAGLE, 58L cyl 50% vol CH4/N2, 103L steel cyl 5,000 ppm CO2/N2, 103L steel cyl CO/50% LEL CH4/O2/N2, dem flow reg, screwdriver, case & tubing	935.00
81-5488RKH-LV	Cal kit, EAGLE, 34L cyl CO/Hex/O2, 34AL cyl PH3/N2, 34AL cyl HCN/N2, reg with gauge & knob, disp valve, gas bag, screwdriver, case & tubing	945.00
81-5501RK	Cal kit, EAGLE, 58AL cyl H2S/CO/CH4/O2, 58AL cyl SO2/N2, dem flow reg, screwdriver, case & tubing ...	695.00
81-5501RK-DLV	Cal kit, EAGLE, 34AL cyl H2S/CO/CH4/O2, 34AL cyl SO2/N2, dem flow reg, screwdriver, case & tubing ...	715.00
81-5501RK-H	Cal kit, EAGLE, 58AL cyl H2S/CO/Hex/O2, 58AL cyl SO2/N2, dem flow reg, case & tubing	725.00
81-5502RK	Cal kit, EAGLE, 103L steel cyl 10% LEL Hex/Air, 58AL cyl H2S/CO/CH4/O2, 58AL cyl Cl2/N2, dem flow reg, screwdriver, case & tubing	1,195.00
81-5503RK	Cal kit, EAGLE, 58AL cyl H2S/CO/CH4/O2, 58AL cyl NH3/N2, dem flow reg, screwdriver, case & tubing ...	875.00
81-5503RK-DLV	Cal kit, EAGLE, 34AL cyl 25 ppm H2S/CO/CH4/O2, 34AL cyl NH3/N2, dem flow reg, screwdriver, case & tubing	855.00
81-5504RK01	Cal kit, EAGLE, 103L steel cyl 2,000 ppm CO2/N2, 58AL cyl 25 ppm H2S/CO/CH4/O2, dem flow reg, screwdriver, case & tubing	700.00
81-5504RK01-HLV	Cal kit, EAGLE, 34L cyl 2,000 ppm CO2/N2, 34AL cyl H2S/CO/Hex/O2, reg with gauge & knob, disp valve, gas bag, screwdriver, case & tubing	535.00
81-5504RK02	Cal kit, EAGLE, 103L steel cyl 5,000 ppm CO2/N2, 58AL cyl 25 ppm H2S/CO/CH4/O2, dem flow reg, screwdriver, case & tubing	685.00
81-5504RK02-DLV	Cal Kit,EAG,LEL/O2/CO/H2S 34AL,CO2 5000 ppm 103L, Dem Reg	655.00
81-5504RK03	Cal kit, EAGLE, 103L steel cyl 2.5% CO2/N2, 58AL cyl 25 ppm H2S/CO/CH4/O2, dem flow reg, screwdriver, case & tubing	685.00
81-5504RK03-DLV	Cal kit, EAGLE, 103L steel cyl 2,5% CO2/N2, 34AL cyl H2S/CO/CH4/O2, dem flow reg, screwdriver, case & tubing	670.00
81-5504RK03-LV	Cal kit, EAGLE, 34L cyl 2,5% CO2/N2, 34AL cyl H2S/CO/CH4/O2, reg with gauge & knob, disp valve, gas bag, screwdriver, case & tubing	535.00
81-5504RK04-LV	Cal kit, EAGLE, 34L cyl 15% CO2/N2, 34AL cyl H2S/CO/CH4/O2, reg with gauge & knob, disp valve, gas bag, screwdriver, case & tubing	535.00
81-5504RK05	Cal kit, EAGLE, 103L steel cyl 15% CO2/N2, 58AL cyl 25 ppm H2S/CO/CH4/O2, dem flow reg, screwdriver, case & tubing	700.00
81-5505RK	Cal kit, EAGLE, 103L steel cyl CO/CH4/O2, 58AL cyl SO2/N2, 58AL cyl Cl2/N2, dem flow reg, screwdriver, case & tubing	1,420.00
81-5506RK	Cal kit, EAGLE, 103L steel cyl CO/CH4/O2, 58AL cyl NH3/N2, 58AL cyl Cl2/N2, dem flow reg, screwdriver, case & tubing	1,570.00
81-5508RKH-LV	Cal kit, EAGLE, 34AL cyl H2S/CO/Hex/O2, 34AL cyl HCl/N2, reg with gauge & knob, screwdriver, case & tubing	755.00
81-5510RK-LV	Cal kit, EAGLE, 34L cyl CO/CH4/O2, 34AL cyl SO2/N2, 34AL cyl NO/N2, disp valve, reg with gauge & knob, gas bag, screwdriver, case & tubing	805.00
81-5520RK03	Cal kit, EAGLE, 103L steel cyl 2.5% CO2/N2, 103L steel cyl CO/CH4/O2, 58AL cyl NH3/N2, dem flow reg, case & tubing	1,100.00
81-5525RK	Cal kit, EAGLE, 58AL cyl H2S/CO/CH4/O2, 58AL cyl Cl2/N2, dem flow reg, screwdriver, case & tubing ...	1,195.00

Numerical Index

Part#	Description	Suggested Retail
81-5526RK-LV	Cal kit, EAGLE, 34AL cyl H2S/CO/CH4/O2, 34AL cyl NH3/N2, 34AL cyl Cl2/N2, reg with gauge & knob, gas bag, screwdriver, case & tubing	1,100.00
81-5529RK-DLV	Cal kit, EAGLE, 34AL cyl 25 ppm H2S/CO/CH4/O2/N2, 34AL cyl 2 ppm Chlorine/N2, dem flow reg, screwdriver, case & tubing	1,100.00
81-5549RK	Cal kit, EAGLE, 103L steel cyl 50% LEL Hydrogen/Air, 103L steel cyl 100% N2, 58AL cyl H2S/CO/CH4/O2, 58AL cyl 2 ppm Chlorine/N2, dem flow reg, screwdriver, case & tubing	1,220.00
81-5550RK-HLV	Cal kit, EAGLE, 34L cyl CO/CH4/O2/N2, 34AL cyl 2 ppm Chlorine/N2, 34AL cyl 0.5 ppm Phosphine/N2, dem flow reg, screwdriver, case & tubing	885.00
81-5601RK	Cal kit, EAGLE, 58AL cyl H2S/CO/CH4/O2, 58AL cyl NH3/N2, 58AL cyl Cl2/N2, dem flow reg, screwdriver, case & tubing	1,585.00
81-5601RK-DLV	Cal kit, EAGLE, 34AL cyl H2S/CO/CH4/O2, 34AL cyl 10 ppm Ammonia/N2, 34AL cyl 2 ppm Chlorine/N2, dem flow reg, screwdriver, case & tubing	1,370.00
81-5601RK-LV	Cal kit, EAGLE, 34AL cyl H2S/CO/CH4/O2, 34AL cyl NH3/N2, 34AL cyl Cl2/N2, reg with gauge & knob, gas bag, screwdriver, case & tubing	1,100.00
81-5606RK-LV	Cal kit, EAGLE, 34AL cyl H2S/CO/CH4, 34AL cyl PH3/N2, 34AL cyl HCl/N2, reg with gauge & knob, gas bag, screwdriver, case & tubing	1,015.00
81-5608RK02	Cal kit, EAGLE, 103L steel cyl 5,000 ppm CO2/N2, 58AL cyl H2S/CO/CH4/O2, 58AL cyl NH3/N2, dem flow reg, screwdriver, case & tubing	1,140.00
81-5608RK02-LV	Cal kit, EAGLE, 34L cyl 5,000 ppm CO2/N2, 34AL cyl H2S/CO/CH4/O2, disp valve, reg with gauge & knob, gas bag, screwdriver, case & tubing	845.00
81-5608RK03-DLV	Cal kit, EAGLE, 103L steel cyl 2.5% CO2/N2, 34AL cyl H2S/CO/CH4/O2, 34AL cyl NH3/N2, dem flow reg, screwdriver, case & tubing	1,090.00
81-5608RK03-LV	Cal kit, Eagle,LEL/O2/CO/HS/NH3/CO2(2.5%)	845.00
81-5609RK01	Cal kit, EAGLE, 103L steel cyl 2,000 ppm CO2/N2, 58AL cyl H2S/CO/CH4/O2, 58AL cyl NO2/Air, dem flow reg, screwdriver, case & tubing	1,140.00
81-5612RK03-LV	Cal kit, EAGLE, 34AL cyl 25 ppm H2S/CO/CH4/O2, 34AL cyl Cl2/N2, 34L cyl CO2/N2, reg with gauge & knob, disp valve, gas bag, screwdriver, case & tubing	895.00
81-5616RK03-LV	Cal kit, EAGLE, 34L cyl 2.5% CO2/N2, 34AL cyl 25 ppm H2S/CO/CH4/O2/N2, 34AL SO2/N2, reg with gauge & knob, disp valve, gas bag, screwdriver, case & tubing	675.00
81-5621RK-DLV	Cal kit, EAGLE/GX-6000, 34AL cyl SO2 5 ppm/H2S 25 ppm/CO 50 ppm/CH4 50% LEL/O2 12% in N2, 34AL cyl 2 ppm Cl2 in N2, two demand flow regulators, screwdriver, case & tubing	1,140.00
81-6AAX-DLV	Cal Kit, GX-6000, 34AL cyl 10 ppm isobutylene in air, 34AL cyl H2S/CO/CH4/O2, dem flow reg, case & tubing	710.00
81-6ABI-DLV	Cal Kit, GX-6000, 34AL cyl 100 ppm Isobutylene/H2S/CO/CH4 LEL/O2, 34AL cyl 5 ppm SO2 in N2, dem flow reg, case, tubing	770.00
81-6ABK-DLV	Cal Kit, GX-6000, 34AL cyl 100 ppm Isobutylene/H2S/CO/CH4/O2, 34AL cyl 10 ppm NO2 in N2, dem flow reg, case, tubing	890.00
81-6ABL-DLV	Cal Kit, GX-6000, 34AL cyl 100 ppm Isobutylene/H2S/CO/CH4/O2, 34AL cyl 10 ppm HCN in N2, dem flow reg, case, tubing	910.00
81-6ABX	Cal Kit, GX-6000, 58AL cyl 100 ppm Isobutylene/H2S/CO/CH4/O2, dem flow reg, case, tubing	685.00
81-6ABX-DLV	Cal Kit, GX-6000, 34AL cyl 100 ppm Isobutylene/H2S/CO/CH4/O2, dem flow reg, case, tubing	630.00
81-6AIM-DLV	Cal kit, GX-6000, 34AL cyl SO2 5 ppm/H2S 25 ppm/CO 50 ppm/O2 12% in N2, 34AL cyl NH3 25 ppm in N2, demand flow regulator, case & tubing	880.00
81-6APX	Cal kit, GX-6000, 58AL cyl 5 ppm Cl2 in N2, 58AL cyl CH4/O2/H2S/CO, dem flow reg, case and tubing	1,180.00
81-6AXX	Cal kit, GX-6000, 58AL cyl CH4/O2/H2S/CO, dem flow reg, case and tubing	535.00
81-6AXX-DLV	Cal kit, GX-6000, 34AL cyl CH4/O2/H2S/CO, dem flow reg, case and tubing	560.00
81-6AZM	Cal Kit,GX-6000,NH3 in N2 58AL,benzene in N2 58AL,HS/CO/LEL/O2,58AL,dem flow reg,case&tubing	1,130.00
81-6AZX	Cal Kit,GX-6000,Benzene 5 ppm in air 58AL,CH4/HS/CO/LEL/O2,34AL,dem flow reg,case	685.00
81-6AZX-DLV	Cal Kit,GX-6000,Benzene 5 ppm in air 34AL,CH4/HS/CO/LEL/O2,34AL,dem flow reg,case	690.00
81-6XAX-DLV	Cal Kit, GX-6000, 34AL cyl 10 ppm isobutylene in air, dem flow reg, case & tubing	550.00
81-6XBX-DLV	Cal Kit, GX-6000, 34AL cyl 100 ppm isobutylene in air, dem flow reg, case & tubing	550.00
81-6XPX-DLV	Cal Kit,GX-6000,5 ppm Cl2 in N2,34AL,dem flow reg,case,tubing	660.00
81-6XZX	Cal Kit, GX-6000, 58AL steel cyl 5 ppm benzene in air, dem flow reg, case & tubing	495.00
81-6XZX-DLV	Cal Kit, GX-6000, 34AL cyl 5 ppm benzene in air, dem flow reg, case & tubing	530.00
81-9001RK-04	Cylinder, PH3 1 ppm in N2, 34AL	300.00
81-9002RK-02	Cylinder, H2S 25 ppm / CO 50 ppm / CH4 50% LEL / O2 20.9% in N2, 58AL	250.00
81-9003RK-02	Cylinder, H2S 25 ppm / CO 50 ppm / Pentane 25% LEL (0.35% vol) / O2 15% in N2, 58AL	220.00
81-9004RK-01	Cylinder,nHexane 120 PPM in air,34L	55.00
81-9006RK-03	Cylinder, N2O 250 ppm in N2, 103L steel	150.00
81-9007RK-02	Cylinder, NH3 50 ppm in air, 58AL	400.00
81-9007RK-04	Cylinder, NH3 50 ppm in air, 34AL	280.00

Numerical Index

Part#	Description	Suggested Retail
81-9008RK-03	Cylinder,CO 2% vol (16%LEL) balance air,103L	150.00
81-9009RK-02	Cylinder,NF3 20 ppm in N2,58AL	360.00
81-9010RK-02	Cylinder,SiH4 20 ppm in Nitrogen,58AL	360.00
81-9011RK-03	Cylinder,CH4 60% LEL in Air,103L	150.00
81-9012RK-04	Cylinder,H2S 10 ppm / CO 60 ppm / CH4 58% LEL / O2 15% in N2, 34AL	150.00
81-9013RK-01	Cylinder,H2S 20 ppm / CO 60 ppm / CH4 58% LEL / O2 15% in N2, 34AL	150.00
81-9015RK-03	Cylinder,CH4 3000 ppm in Air,103L	150.00
81-9016RK-01	Cylinder,Propane 8% vol in N2,34L	55.00
81-9017RK-03	Cylinder, R-123 50 ppm in air, 103L	150.00
81-9018RK-02	Cylinder,H2S 10 ppm / CO 50 ppm / O2 18% / CH4 50% LEL in N2, 58AL	220.00
81-9019RK-02	Cylinder, NO 50 ppm in N2, 58AL	400.00
81-9019RK-04	Cylinder,NO 50 ppm in N2,34AL	320.00
81-9020RK-02	Cylinder, Benzene 100 ppm in air, 58AL	150.00
81-9021RK-116	Cylinder, NF3 10 ppm in N2, 116AL	675.00
81-9022RK-03	Cylinder, isoButane 4000 ppm in air, 103L	150.00
81-9023RK-01	Cylinder, CH4 10,000 ppm in air, 34L steel	55.00
81-9023RK-03	Cylinder, CH4 10,000 ppm in air, 103L	150.00
81-9024RK-01	Cylinder, H2 4% vol in argon, 34L steel	55.00
81-9025RK-03	Cylinder, Propane, 50% LEL in N2, 103L.....	150.00
81-9026RK-02	Cylinder, SO2 10 ppm in N2, 58AL	150.00
81-9027RK-02	Cylinder, H2S, 20 ppm / 50% LEL Propane in N2, 58AL.....	220.00
81-9027RK-116	Cylinder,H2S 20 ppm/Propane 50% LEL in N2,116AL cyl	380.00
81-9028RK-03	Cylinder, Propane 50% vol in N2, 103L	150.00
81-9029RK-02	Cylinder, NH3 100 ppm in N2, 58AL	350.00
81-9029RK-04	Cylinder, NH3 100 ppm in N2, 34AL	320.00
81-9032RK-116	Cylinder,H2S 1 ppm in N2,116AL	250.00
81-9033RK-08	Cylinder, Ethane 99% vol, 100AL, partial pressure 300 psi	220.00
81-9034RK-03	Cylinder, O2 0.4% in N2, 103L steel	150.00
81-9035RK-02	Cylinder, SO2 200 ppm / CO2 10% vol in N2, 58AL	220.00
81-9035RK-116	Cylinder, SO2 200 ppm / CO2 10% vol in N2, 116AL.....	320.00
81-9036RK-01	Cylinder, isobutane 5000 ppm in air, 34L steel	55.00
81-9037RK-02	Cylinder, SiH4 10 ppm in N2, 58AL	360.00
81-9038RK-02	Cylinder, Ethylene Oxide 50 ppm in air, 58AL	180.00
81-9039RK-02	Cylinder, SO2 200 ppm / CO2 20% vol in N2, 58AL	220.00
81-9039RK-116	Cylinder, SO2 200 ppm / CO2 20% vol in N2, 116AL.....	320.00
81-9040RK-03	Cylinder,O2 17% in N2,103L	150.00
81-9041RK-01	Cylinder, CH4 30% LEL in air, 34L steel	100.00
81-9042RK-01	Cylinder, CH4 60% LEL in air, 34L steel	100.00
81-9046RK-01	Cylinder, O2 5% in N2, 34L steel.....	55.00
81-9047RK-02	Cylinder, HCN 5 ppm in N2, 58AL	350.00
81-9048RK-02	Cylinder, O2 99.99%, 58AL	150.00
81-9049RK-02	Cylinder, Cl2 25 ppm in N2, 58AL	350.00
81-9050RK-02	Cylinder, CH2O 5 ppm in N2, 58AL	260.00
81-9051RK-02	Cylinder, CH2O 5 ppm in air, 58AL.....	260.00
81-9059RK-116	Cylinder,SO2 500 ppm/CO2 20% vol in N2,116AL	360.00
81-9062RK-04	Cylinder, Ethylene Oxide 5 ppm in Air, 34AL	270.00
81-9065RK-02	Cylinder,H2S 25ppm/CO 100ppm/Pentane 25%LEL/O2 18%/N2,58AL	260.00
81-9066RK-02	Cylinder, NH3 100 ppm in air, 58AL	350.00
81-9066RK-04	Cylinder,NH3 100 ppm in air,34AL	280.00
81-9067RK-02	Cylinder,CH4 100 ppm in air,58AL	150.00
81-9069RK-03	Cylinder, CH4 20 ppm in air, 103L	150.00
81-9070-01	Cylinder, CH4 50% LEL in real air (CO2 0.04% / Ar 0.91% / O2 20.43% balance N2), 34 liter steel	110.00
81-9070-03	Cylinder, CH4 50% LEL in real air (CO2 0.04% / Ar 0.91% / O2 20.43% balance N2), 103 liter steel	120.00
81-9070-05	Cylinder,CH4 50% LEL in real air,2.5% CH4/0.04% CO2/0.91% argon/20.43% oxygen/N2 balance,58L.....	150.00
81-9074RK-R100	Cylinder,O2 6% in N2,100AL refillable	320.00
81-9075RK-01	Cylinder, Isobutane 2500 ppm in air, 34L steel	55.00
81-9079RK-03	Cylinder,Propane 100%,50 psig fill,103L steel	150.00
81-9080RK-01	Cylinder,CH4 60% LEL in N2,34L steel	55.00
81-9081RK-04	Cylinder,NO2 10 ppm in N2,34AL	310.00
81-9082RK-02	Cylinder, Cl2 20 ppm in N2, 58AL	450.00
81-9083RK-02	Cylinder,H2S 1000 ppm in air,58AL	150.00

Numerical Index

Part#	Description	Suggested Retail
81-9087RK-03	Cylinder, CH4 50% LEL / O2 18% in N2, 103L steel	
81-CO01-LV	Cal kit, CO-01, 34L cyl 50 ppm CO/N2, reg with gauge & knob, cal cup, case & tubing	325.00
81-CO03	Cal kit, CO-03, CO 50 ppm in air 103L steel cyl, regulator, cal cup, case & tubing	370.00
81-CO03-LV	Cal kit, CO-03, CO 50 ppm in air 34L steel cyl, regulator, cal cup, case & tubing	330.00
81-CO04-LV	Cal kit, CO-04, 34AL cyl CO 50 ppm in N2, regulator, cal cup, case & tubing	330.00
81-CO04C-LV	Cal kit, CO-04C, 34L cyl CO 50 ppm in N2, 34L cyl H2 200 ppm in air, regulator, cal cup, case & tubing ...	385.00
81-CS460-07	SDM-6000 w/USB & ethernet cable/SD card/reader/single AC adptr/DFR/sample & exh tube/ 34L 4gas cyl	2,555.00
81-CX04-LV	Cal kit, CX-04, 34L cyl CO 50 ppm in N2, regulator, cal cup, case & tubing	310.00
81-DM2009	DM2009 docking module for GX-2009	880.00
81-EC600-LV	Cal Kit, fixed for EC-600, 34L cyl 50 ppm CO in N2, reg with gauge & knob, cal cup, case & tubing	345.00
81-EC600A-LV	Cal Kit, fixed for EC-600, 34L cyl 50 ppm CO in N2, 34L Zero Air, reg with gauge & knob, cal cup, case & tubing	380.00
81-F001RK	Cal kit, fixed, 103L steel cyl 10% LEL Hexane in Air, reg with gauge & knob, cal cup, screwdriver, case & tubing	405.00
81-F001RK-LV	Cal kit, fixed, 34L cyl 15% LEL Hexane in Air, reg with gauge & knob, cal cup, screwdriver, case & tubing	365.00
81-F001RK-NG	Cal Kit, fixed, No Gas for 58AL or 103L cylinder size	240.00
81-F001RKIR-LV	Cal kit, fixed, 34L cyl 15% LEL Hexane in Air, reg with gauge & knob, cal cup for IR 3/4" NPT sensor, screwdriver, case & tubing	330.00
81-F001RKNL-LV	Cal kit, fixed for 34L size cylinder (gas sold seperately), reg with gauge & knob, cal cup, screwdriver, case & tubing	310.00
81-F001RKS-LV	Cal kit, fixed, 34L cyl 15% LEL Hexane in Air, disp valve, gas bag, screwdriver, case & tubing	250.00
81-F001RKS-LVH	Cal Kit, fixed, HEX, SD, 34L	590.00
81-F002RK	Cal kit, fixed, 103L steel cyl 50% LEL Methane in Air, reg with gauge & knob, cal cup, screwdriver, case & tubing	405.00
81-F002RK-LV	Cal kit, fixed, 34L cyl 50% LEL Methane in Air, reg with gauge & knob, cal cup, screwdriver, case & tubing	365.00
81-F004RK	Cal kit, fixed, 103L steel cyl 50% LEL Hydrogen in Air, reg with gauge & knob, cal cup, screwdriver, case & tubing	405.00
81-F004RK-LV	Cal kit, fixed, 34L cyl 50% LEL Hydrogen in Air, reg with gauge & knob, cal cup, screwdriver, case & tubing	365.00
81-F004RK-LVP	Cal kit, fixed, 34L cyl 50% LEL Hydrogen in Air, reg with gauge & knob, cal cup (for RKI potted sensor), screwdriver, case & tubing	335.00
81-F004RKR-10	Cal Kit, fixed, remote cal, LEL Hydrogen/air, zero air, 103L (no cal cup)	505.00
81-F004RKR-LV	Cal Kit, Fixed, H2 50% LEL, 34L	350.00
81-F004RKS	Cal Kit, fixed, H2, 103L, gas bag	370.00
81-F004RKS-LV	Cal kit, fixed, 34L cyl 50% LEL Hydrogen in Air, disp valve, gas bag, screwdriver, case & tubing	250.00
81-F006RK	Cal kit, fixed, 103L steel cyl 50% LEL Propane in Air, reg with gauge & knob, cal cup, screwdriver, case & tubing	405.00
81-F006RK-LV	Cal kit, fixed, 34L cyl 50% LEL Propane in Air, reg with gauge & knob, cal cup, screwdriver, case & tubing	365.00
81-F006RKS10	Cal Kit, fixed, Propane 10% LEL, 103L, dem flow reg	810.00
81-F007RK	Cal kit, fixed, 103L steel cyl 1,000 ppm Hydrogen in Air, humidifier tube, reg with gauge & knob, cal cup, screwdriver, case & tubing	740.00
81-F007RK-LV	Cal kit, fixed, 34L cyl 1,000 ppm Hydrogen in Air, humidifier tube, reg with gauge & knob, cal cup, screwdriver, case & tubing	700.00
81-F007RK-LVNH	Cal Kit, fixed, 1000 PPM H2, 34L, no humidifier	350.00
81-F007RKS	Cal Kit, fixed, 1000 PPM H2, 103 ltr, dem flow reg	815.00
81-F007RKS-HLV	Cal Kit, fixed, 500 PPM Hex, 34L, gas bag, reg	680.00
81-F008RK-LV	Cal kit, fixed, 34L cyl 50% LEL Methane in Air, reg with gauge & knob, cal cup for GD-A8 / GD-A8V, screwdriver, case & tubing	425.00
81-F009RK-LV	Cal kit, fixed, 34L cyl 15% LEL Hexane in Air, reg with gauge & knob, cal cup for GD-A8 / GD-A8V, screwdriver, case & tubing	425.00
81-F010RK	Cal kit, fixed, 103L steel cyl 400 ppm Hexane in Air, reg with gauge & knob, cal cup for GD-A8 / GD-A8V, screwdriver, case & tubing	800.00
81-F010RK-LV	Cal kit, fixed, 34AL cyl 400 ppm Hexane in Air, humidifier tube, reg with gauge & knob, cal cup for GD-A8 / GD-A8V, screwdriver, case & tubing	855.00
81-F010RKS	Cal Kit, fixed, 2% H2 in Helium, 6LPM reg, bag, 103L	780.00
81-F011RK	Cal Kit, Diffusion, 400 PPM HEXANE, 103L	895.00
81-F011RK-LV	Cal kit, fixed, 34AL cyl 400 ppm Hexane in Air, humidifier tube, reg with gauge & knob, cal cup, screwdriver, case & tubing	800.00
81-F011RKS	Cal Kit, 400 PPM HEXANE, 103L, w/demand flow regulator	960.00

Numerical Index

Part#	Description	Suggested Retail
81-F011RKS-DLV	Cal Kit,400 PPM HEXANE,34L,w/demand flow regulator	865.00
81-F012RKS	Cal Kit,fixed,2% H2 in Helium,103L	770.00
81-F014RK-LV	Cal kit, fixed, 34L cyl 50% LEL Isobutane in Air, reg with gauge & knob, cal cup for GD-A8 / GD-A8V, screwdriver, case & tubing	425.00
81-F016RK	Cal kit, fixed, 103L steel cyl 50% LEL Isobutane in Air, reg with gauge & knob, cal cup, screwdriver, case & tubing	405.00
81-F016RK-LV	Cal kit, fixed, 34L cyl 50% LEL Isobutane in Air, reg with gauge & knob, cal cup, screwdriver, case & tubing	365.00
81-F016RK-LV-1	Cal Kit,fixed,50% LEL IsoButane,103L	405.00
81-F016RKS	Cal Kit,fixed,50% LEL IsoButane,103L,gas bag	370.00
81-F017RK-LV	Cal kit, fixed, 34L cyl 1,000 ppm Hydrogen in Air, 34L cyl Zero Air, humidifier, regulator, screwdriver, case & tubing	755.00
81-F018RK-LV	Cal kit, fixed, 17L cyl (8 liters gas at 120 psi) 10% LEL Isopropyl Alcohol in Air, reg with gauge & knob, cal cup, screwdriver, case and tubing	365.00
81-F018RKS-LV	Cal kit, fixed, 17L cyl (8 liters gas at 120 psi) 10% LEL Isopropyl Alcohol in Air, dispensing valve, gas bag, screwdriver, case and tubing	300.00
81-F020RK	Cal kit, fixed, 103L steel cyl 50% LEL Methane in Air, reg with gauge & knob, cal cup for IR 3/4" NPT sensor, screwdriver, case & tubing	370.00
81-F020RK-LV	Cal kit, fixed, 34L cyl 50% LEL Methane in Air, reg with gauge & knob, cal cup for IR 3/4" NPT sensor, screwdriver, case & tubing	330.00
81-F020RKR-10	Cal Kit,fixed,LEL Methane,103L,zero air,103L,reg 1.0 LPM	505.00
81-F021RK	Cal Kit,fixed IR,LEL Propane,103L	370.00
81-F021RK-10	Cal Kit,fixed IR,LEL propane,103L	355.00
81-F021RK-LV	Cal kit, fixed, 34L cyl 50% LEL Propane in Air, reg with gauge & knob, cal cup for IR 3/4" NPT sensor, screwdriver, case & tubing	330.00
81-F021RK25	Cal Kit,fixed diffusion,25%LEL Propane,103 ltr	355.00
81-F021RK25-LV	Cal Kit, fixed IR, 25% LEL Propane, 34L	315.00
81-F022RK	Cal Kit,fixed IR,isobutane,103L	370.00
81-F022RK-LV	Cal kit, fixed, 34L cyl 50% LEL Isobutane in Air, reg with gauge & knob, cal cup for IR 3/4" NPT sensor, screwdriver, case & tubing	330.00
81-F022RKR-10	Cal Kit,fixed isobutane/air, zero air	505.00
81-F024RK	Cal kit, fixed, 103L steel cyl 5,000 ppm Hydrogen in Air, reg with gauge & knob, cal cup, screwdriver, case & tubing	800.00
81-F025RK	Cal kit, fixed, 103L steel cyl 2,000 ppm Hydrogen in Air, humidifier tube assembly, reg with gauge & knob, cal cup, screwdriver, case & tubing	740.00
81-F025RK-LV	Cal kit, fixed, 34L cyl 2,000 ppm Hydrogen in Air, humidifier tube assembly, reg with gauge & knob, cal cup, screwdriver, case & tubing	705.00
81-F026RK	Cal kit, fixed, 103L steel cyl 500 ppm Hexane in Air, humidifier tube assembly, reg with gauge & knob, cal cup for GD-A8 / GD-A8V, screwdriver, case & tubing	800.00
81-F026RK-LV	Cal kit, fixed, 34L cyl 500 ppm Hexane in Air, humidifier tube assembly, reg with gauge & knob, cal cup for GD-A8 / GD-A8V, screwdriver, case & tubing	760.00
81-F027RKIR	Cal kit, fixed IR diffusion, 103L steel cyl 1,000 ppm Pentane in Air, reg with gauge & knob, cal cup for IR 3/4" NPT sensor, screwdriver, case & tubing	370.00
81-F028RK-LV	Cal Kit,fixed diffusion,10% LEL IPA,34L	350.00
81-F028RKIR-IPA	Cal kit, fixed, 17L cyl (8 liters of gas at 120 psig) 10% LEL Isopropyl Alcohol in Air, reg with gauge & knob, cal cup, screwdriver, case & tubing	330.00
81-F028RKS-DLV	Cal Kit,fixed IR,10% LEL IPA, 17 ltr, dem flow reg	470.00
81-F028RKS-DLV	Cal Kit,fixed sample draw,10% LEL IPA,34L with humidifier tube	795.00
81-F029RKIB-LV	Cal kit, fixed, 34L cyl 20% LEL Isobutane in Air, reg with gauge & knob, cal cup for GD-A8 / GD-A8V, screwdriver, case & tubing	410.00
81-F030RK-LV	Cal kit,fixed IR,50 %volume Methane,34L	330.00
81-F031RKIB-LV	Cal kit, fixed, 34L cyl 20% LEL Isobutane in Air, reg with gauge & knob, cal cup for IR 3/4" NPT sensor, screwdriver, case & tubing	315.00
81-F031RKSIB-LV	Calibration kit,fixed diffusion,50% LEL Iso Butane/Air,34L,w/sample bag	180.00
81-F032RK-LV	Cal kit, fixed, 34L cyl 500 ppm Isobutane in Air, humidifier tube assembly, reg with gauge & knob, cal cup for GD-A8 / GD-A8V, screwdriver, case & tubing	750.00
81-F034RK-LV	Cal kit, fixed, 34L cyl 15% LEL Hexane in Air, 34L cyl 100% zero air, reg with gauge & knob, case & tubing	420.00
81-F035RKS-DLV	Cal Kit,fixed,1000 CH4,SD,34L,dem flow reg	455.00
81-F038RK-LV	Cal kit, fixed, 17L cyl 40% LEL Hexane in Air, 34L cyl 100% zero air, reg with gauge & knob, case & tubing	410.00
81-F039RK-LV	Cal kit, fixed, 34L cyl 1000 ppm Hydrogen in Air, reg with gauge & knob, cal cup for GD-A8 / GD-A8V, screwdriver, case & tubing	760.00

Numerical Index

Part#	Description	Suggested Retail
81-F040RKS	Cal kit, fixed, 103L steel cyl 500 ppm H2 in Air, humidifier tube, demand flow regulator, screwdriver, case & tubing	810.00
81-F041RK-LV	Cal Kit, fixed, 1000 ppm H2/air, 34L, humidifier, 1/2 NPT cal cup	730.00
81-F042RK-LV	Cal Kit, GD-A8/GD-A8V, LEL methane, 34L	425.00
81-F044RK-LV	Cal Kit, fixed, 10% LEL IPA/air, 34L, regulator	455.00
81-F047RKS	Cal Kit, fixed, 50% LEL Propane 103L, Zero Air 103L, reg, gas bag	535.00
81-F048RKS	Cal Kit, fixed, 50% LEL CH4/Air, 103L, 5 %LEL CH4/air 103L, dem flow reg	605.00
81-F050RK-LV	Cal Kit, GD-A8/GD-A8V fixed, 40% LEL CH4, 34L	410.00
81-F055RK	Cal Kit, fixed, 10% LEL CH4 in Air, 103L, with humidifier	790.00
81-F056RK-DLV	Cal Kit, fixed, 1000 propane in air, SD, 34L, dem flow reg	810.00
81-F057RKS-LV	Cal Kit, fixed, 50 ppm isobutane, 34L, humidifier tube	580.00
81-F061RK-LV	Cal Kit, fixed, 50% LEL CH4/air 34L, 1/2 NPT cal cup, reg	375.00
81-F066RK-LV	Cal kit, fixed, 34L cyl 50% LEL Propane in Air, reg with gauge & knob, 1/2" NPT cal cup, screwdriver, case & tubing	300.00
81-F068RK-LV	Cal Kit, fixed, isobutane 20% LEL/air 34L, cal cup, reg	365.00
81-F069RK-DLV	Cal Kit, fixed, IPA 1000 ppm/air 34L, dem flow reg, case & tubing	795.00
81-F070RK-LV	Cal Kit, fixed, CH4 5000 ppm, 34L	365.00
81-F072RK-LV	Cal Kit, fixed, H2, 2000 ppm and 1000 ppm, 34L, humidifier tube	760.00
81-F075RK	Cal Kit, fixed, H2 50 ppm, 103L, H2 100 ppm 103L, humidifier, reg, case, tubing	895.00
81-F075RK-LV	Cal Kit, fixed, H2 50 ppm, 34L, H2 100 ppm 34L, humidifier, reg, case, tubing	760.00
81-F076RK	Cal Kit, fixed, CH4 50%LEL in REAL AIR, 103L, reg, cal cup, case, tubing	340.00
81-F077RK-LV	Cal kit, fixed, 500 ppm hydrogen, 34L, sample draw	595.00
81-F101RK	Cal Kit, fixed, H2S, 58AL	405.00
81-F101RK-LV	Cal kit, fixed, 34AL cyl 25 ppm Hydrogen Sulfide in N2, reg with gauge & knob, cal cup, screwdriver, case & tubing	440.00
81-F101RKS	Cal kit, fixed, 58AL cyl 25 ppm Hydrogen Sulfide in N2, demand flow reg, screwdriver, case & tubing	470.00
81-F102RK-LV	Cal kit, fixed, 34L cyl 25 ppm Hydrogen Sulfide in N2, reg with gauge & knob, GX-82/86 cal cup, screwdriver, case & tubing	440.00
81-F201RK	Cal kit, fixed, 103L steel cyl 100 ppm Carbon Monoxide in N2, reg with gauge & knob, cal cup, case & tubing	405.00
81-F201RK-LV	Cal kit, fixed, 34L cyl 100 ppm Carbon Monoxide in N2, reg with gauge & knob, cal cup, screwdriver, case & tubing	365.00
81-F201RK50-LV	Cal Kit, fixed, 50 ppm CO, 34L	350.00
81-F202RK-LV	Cal kit, fixed, 34L cyl 100 ppm Carbon Monoxide in N2, reg with gauge & knob, GX-82/86 cal cup, screwdriver, case & tubing	365.00
81-F203RK-LV	Cal kit, fixed, 34L cyl 50 ppm Carbon Monoxide in N2, reg with gauge & knob, cal cup, screwdriver, case & tubing	340.00
81-F204RK-LV	Cal kit, fixed, 34L cyl 200 ppm Carbon Monoxide in Air, reg with gauge & knob, cal cup, screwdriver, case & tubing	365.00
81-F205RKS-DLV	Cal Kit, fixed sample draw, CO 200 ppm, 34L	470.00
81-F301RK	Cal kit, fixed, 103L steel cyl Zero Air, 103L steel cyl 100% N2, reg with gauge & knob, cal cup, case & tubing	540.00
81-F301RK-LV	Cal kit, fixed, 34L cyl Zero Air, 34L 100% N2, reg with gauge & knob, cal cup, case & tubing	405.00
81-F301RKS-LV	Cal Kit, fixed sample draw, 100% N2 34L, zero air 34L	305.00
81-F302RK	Cal Kit, fixed, O2, 103L, N2 cyl only	390.00
81-F302RK-LV	Cal kit, fixed, 34L cyl 100% N2, reg with gauge & knob, cal cup, case & tubing	350.00
81-F302RKS-LV	Cal Kit, fixed, O2, 34L, N2 cyl, disp valve, gas bag	250.00
81-F303RK-LV	Cal kit, fixed, 34L cyl 2.0% Oxygen in N2, 34L cyl 100% N2, reg with gauge & knob, cal cup, case & tubing	395.00
81-F401RK-LV	Cal kit, fixed, RI-215A, 34L cyl 2.5% Carbon Dioxide in N2, reg with gauge & knob, case & tubing	360.00
81-F402RK-LV	Cal kit, fixed, RI-215A, 34L cyl 5,000 ppm Carbon Dioxide in N2, reg with gauge & knob, case & tubing	360.00
81-F402RKS-LV	Cal kit, fixed, RI-215D, 34L cyl 5,000 ppm Carbon Dioxide in N2, disp valve, gas bag, screwdriver, case & tubing	305.00
81-F403RK	Cal Kit, fixed, for 3/4" NPT detector, 2.5% CO2, 103L	505.00
81-F403RK-LV	Cal kit, fixed, 34L cyl 2.5% Carbon Dioxide in N2, 34L cyl 100% N2, reg with gauge & knob, cal cup for IR 3/4" NPT sensor, screwdriver, case & tubing	385.00
81-F404RK	Cal kit, fixed, 103L steel cyl 2,000 ppm Carbon Dioxide in N2, 34L cyl 100% N2, reg with gauge & knob, cal cup for IR 3/4" NPT sensor, case & tubing	520.00
81-F404RK-LV	Cal kit, fixed, 34L cyl 2,000 ppm Carbon Dioxide in N2, 34L cyl 100% N2, reg with gauge & knob, cal cup for IR 3/4" NPT sensor, case & tubing	385.00
81-F404RKS-DLV	Cal kit, fixed, 34L cyl 2,000 ppm Carbon Dioxide in N2, 34L cyl 100% N2, demand flow reg, screwdriver, case & tubing	525.00

Numerical Index

Part#	Description	Suggested Retail
81-F407RK02-LV	Cal kit, fixed for Direct Connect, non XP, 34L 2000 ppm Carbon Dioxide in N2, 34L cyl 100% N2, reg with gauge & knob, screwdriver, cal cup, case & tubing	420.00
81-F407RK03	Cal Kit, fixed, direct connect non xp, 2.5% CO2, 103L, 100% N2 103L	555.00
81-F407RK03-LV	Cal kit, fixed for Direct Connect, non XP, 34L 2.5% Carbon Dioxide in N2, 34L cyl 100% N2, reg with gauge & knob, screwdriver, case & tubing	420.00
81-F407RK05	Cal Kit, fixed, direct connect non xp, 50% CO2, 103L	555.00
81-F407RK05-LV	Cal Kit, fixed, direct connect non xp, 50% CO2, 34L	365.00
81-F408RK-LV	Cal kit, fixed, 34L cyl 15% Carbon Dioxide in N2, 34L cyl 100% N2, reg with gauge & knob, cal cup for IR 3/4" NPT sensor, case & tubing	385.00
81-F501RK	Cal kit, fixed, 58AL cyl 25 ppm Ammonia in N2, reg with gauge & knob, cal cup for super toxic GD-K8A (rim feed), screwdriver, case & tubing	555.00
81-F501RK-LV	Cal kit, fixed, 34AL cyl 25 ppm Ammonia in N2, reg with gauge & knob, cal cup for super toxic GD-K8A (rim feed), screwdriver, case & tubing	595.00
81-F501RK25-LV	Cal Kit, fixed, GD-K8A, NH3, 25 ppm, 34AL	445.00
81-F501RKS	Cal kit, fixed, GD-K7D2/GD-K77D/GD-K71D/GD-K70D, 58AL cyl 25 ppm Ammonia in N2, demand flow reg, screwdriver, case & tubing	685.00
81-F501RKS-LV	Cal kit, fixed, GD-K7D2/GD-K77D/GD-K71D/GD-K70D, 58AL cyl 25 ppm Ammonia in N2, regulator, gas bag, screwdriver, case & tubing	570.00
81-F503RK	Cal kit, fixed, 58AL cyl 25 ppm Ammonia in N2, reg with gauge & knob, cal cup for ESM-01-NH3 sensor, screwdriver, case & tubing	605.00
81-F503RK-LV	Cal kit, fixed, 34AL cyl 25 ppm Ammonia in N2, reg with gauge & knob, cal cup for ESM-01-NH3 sensor, screwdriver, case & tubing	645.00
81-F503RK25	Cal Kit, fixed diffusion, 25 ppm NH3/N2, 58L, 0.25 LPM flow reg, with case and tubing	605.00
81-F504RK	Cal kit, fixed, 58AL cyl Ammonia 50 ppm in N2, reg with gauge & knob, cal cup for CT7 sensor, screwdriver, case & tubing	580.00
81-F504RK25	Cal kit, fixed, 58AL cyl Ammonia 25 ppm in N2, reg with gauge & knob, cal cup for CT7 sensor, screwdriver, case & tubing	580.00
81-F504RK25-LV	Cal kit, fixed, 34AL cyl Ammonia 25 ppm in N2, reg with gauge & knob, cal cup for CT7 sensor, screwdriver, case & tubing	615.00
81-F601RK	Cal kit, fixed, 58AL cyl 2 ppm Chlorine in N2, reg with gauge & knob, cal cup for super toxic GD-K8A (rim feed), screwdriver, case & tubing	595.00
81-F601RK-LV	Cal kit, fixed, 34AL cyl 2 ppm Chlorine in N2, reg with gauge & knob, cal cup for super toxic GD-K8A (rim feed), screwdriver, case & tubing	535.00
81-F601RKDS-LV5	Cal kit, fixed, 34AL cyl 5 ppm Chlorine in N2, demand flow reg, screwdriver, case & tubing	660.00
81-F601RKS	Cal kit, fixed, GD-K7D2/GD-K77D/GD-K71D/GD-K70D, 58AL cyl 2 ppm Chlorine in N2, demand flow reg, screwdriver, case & tubing	710.00
81-F601RKS-LV	Cal Kit, fixed, 2 ppm Cl2, reg, 34AL	535.00
81-F603RK	Cal kit, fixed, 58AL cyl 2 ppm Chlorine in N2, reg with gauge & knob, cal cup for ESM-01-Cl2 sensor, screwdriver, case & tubing	645.00
81-F603RK-LV	Cal kit, fixed, 34AL cyl 2 ppm Chlorine in N2, reg with gauge & knob, cal cup for ESM-01-Cl2 sensor, screwdriver, case & tubing	585.00
81-F604RK-LV	Cal kit, fixed, 34AL cyl 2 ppm Chlorine in N2, 34L 100% N2, reg with gauge & knob, cal cup for super toxic GD-K8A (rim feed), screwdriver, gas bag, case & tubing (includes special dilution instructions for O3 calibration)	655.00
81-F605	Cal kit, fixed, 58AL cyl 2 ppm Chlorine in N2, reg with gauge & knob, cal cup, screwdriver, case & tubing	620.00
81-F605-LV	Cal kit, fixed, 34AL cyl 2 ppm Chlorine in N2, reg with gauge & knob, cal cup, screwdriver, case & tubing	555.00
81-F606	Cal kit, fixed, 58AL cyl 2 ppm Chlorine in N2, 103L 100% N2, dilution gas bag, reg with gauge & knob, cal cup for CT-7 style sensor, screwdriver, case & tubing	800.00
81-F607	Cal Kit, fixed CT-7 type diffusion, 5 ppm Cl2, 58L	620.00
81-F701RK	Cal kit, fixed, 58AL cyl 5 ppm Sulfur Dioxide in N2, reg with gauge & knob, cal cup for super toxic GD-K8A (rim feed), screwdriver, case & tubing	415.00
81-F701RK-DLV	Cal kit, fixed, GD-K7D2/GD-K77D/GD-K71D/GD-K70D, 34AL cyl 5 ppm Sulfur Dioxide in N2, demand flow reg, screwdriver, case & tubing	515.00
81-F701RKS	Cal kit, fixed, GD-K7D2/GD-K77D/GD-K71D/GD-K70D, 58AL cyl 5 ppm Sulfur Dioxide in N2, demand flow reg, screwdriver, case & tubing	480.00
81-F702RK	Cal kit, fixed, 58AL cyl 5 ppm Sulfur Dioxide in N2, reg with gauge & knob, cal cup for ESM-01 toxic sensors (not for Cl2 or NH3), screwdriver, case & tubing	465.00
81-F702RK-LV	Cal kit, fixed, 34AL cyl 5 ppm Sulfur Dioxide in N2, reg with gauge & knob, cal cup for ESM-01 toxic sensors (not for Cl2 or NH3), screwdriver, case & tubing	505.00
81-F804RK	Cal kit, fixed, 58AL cyl 10 ppm Nitrogen Dioxide in Air, reg with gauge & knob, cal cup for super toxic GD-K8A (rim feed), screwdriver, case & tubing	555.00

Numerical Index

Part#	Description	Suggested Retail
81-F804RK-DLV	Cal Kit, fixed, NO ₂ , SD, 34AL	650.00
81-F804RK-LV	Cal kit, fixed, 34AL cyl 10 ppm Nitrogen Dioxide in Air, reg with gauge & knob, cal cup for super toxic GD-K8A (rim feed), screwdriver, case & tubing	575.00
81-F804RKS-LV	Cal kit, fixed, 34AL cyl 2 ppm Nitrogen Dioxide in Air, high flow reg with gauge & knob, gas bag, screwdriver, case & tubing	575.00
81-F805RK-LV	Cal kit, fixed, 34AL cyl 0.5 ppm Phosphine in N ₂ , reg with gauge & knob, cal cup, screwdriver, case & tubing	575.00
81-F806RK	Cal kit, fixed, 58AL cyl 10 ppm Hydrogen Cyanide in N ₂ , reg with gauge & knob, cal cup for super toxic GD-K8A (rim feed), screwdriver, case & tubing	555.00
81-F806RKS	Cal kit, fixed, GD-K7D2/GD-K77D/GD-K71D/GD-K70D, 58AL cyl 10 ppm Hydrogen Cyanide in N ₂ , demand flow reg, screwdriver, case & tubing	685.00
81-F806RKS-LV	Cal Kit, fixed, HCN, SD, 34AL	595.00
81-F807RKS	Cal kit, fixed, GD-K7D2/GD-K77D/GD-K71D/GD-K70D, 58AL cyl 5 ppm Hydrogen Chloride in N ₂ , high flow reg with gauge & knob, gas bag, screwdriver, case & tubing	560.00
81-F807RKS-LV	Cal Kit, fixed, GD-K7D2-HCL, 34L	595.00
81-F808RKS-LV	Cal kit, fixed, GD-K7D2/GD-K77D/GD-K71D/GD-K70D, 34AL cyl 0.5 Phosphine in N ₂ , 34L cyl 100% N ₂ , two regs with gauge & knob, gas bag, screwdriver, case & tubing	760.00
81-F809RK	Cal kit, fixed, 58AL cyl 5 ppm Silane in N ₂ , reg with gauge & knob, cal cup for super toxic GD-K8A (rim feed), screwdriver, case & tubing	510.00
81-F810RK-LV	Cal kit, fixed, 34AL cyl 25 ppm Nitric Oxide in N ₂ , reg with gauge & knob, cal cup for super toxic GD-K8A (rim feed), screwdriver, case & tubing	575.00
81-F811RK	Cal kit, fixed, 58AL cyl 0.5 ppm Phosphine in N ₂ , reg with gauge & knob, cal cup for ESM-01 toxic sensors (not for Cl ₂ or NH ₃), screwdriver, case & tubing	605.00
81-F811RK-LV	Cal kit, fixed, 34AL cyl 0.5 ppm Phosphine in N ₂ , reg with gauge & knob, cal cup for ESM-01 toxic sensors (not for Cl ₂ or NH ₃), screwdriver, case & tubing	625.00
81-F813RK	Cal kit, fixed, 58AL cyl 10 ppm Hydrogen Cyanide in N ₂ , reg with gauge & knob, cal cup for ESM-01 toxic sensors (not for Cl ₂ or NH ₃), screwdriver, case & tubing	760.00
81-F813RK-LV	Cal kit, fixed, 34AL cyl 10 ppm Hydrogen Cyanide in N ₂ , reg with gauge & knob, cal cup for ESM-01 toxic sensors (not for Cl ₂ or NH ₃), screwdriver, case & tubing	645.00
81-F815RKS-DLV	Cal Kit, fixed, PH ₃ /N ₂ , dem flow reg, 34AL	660.00
81-F822RK	Cal kit, fixed, 58AL cyl 10 ppm Hydrogen Cyanide in N ₂ , reg with gauge & knob, cal cup for CT 7 sensor, screwdriver, case & tubing	580.00
81-F823RKS-LV	Cal Kit, fixed, GD-K7D2, 5 ppm NO ₂ , 34AL, gas bag, reg, case, tubing	575.00
81-F824RK	Cal Kit, fixed diffusion, NO ₂ , 58L, CT-7 type	580.00
81-F824RK-LV	Cal Kit, fixed diffusion, NO ₂ , 34L, CT-7 type	595.00
81-F901RK-LV	Cal kit, fixed, 34L cyl 50% LEL Methane in Air, 34L cyl 100% N ₂ , reg with gauge & knob, cal cup, case & tubing	405.00
81-F904RK-LV	Cal kit, fixed, 34L cyl 50% LEL Methane in Air, 34L cyl 50 ppm Carbon Monoxide in Air, reg with gauge & knob, cal cup, screwdriver, case & tubing	420.00
81-F907RK	Cal kit, fixed, 103L steel cyl 50% LEL Methane in Air, 58AL cyl 25 ppm Hydrogen Sulfide in N ₂ , reg with gauge & knob, cal cup, screwdriver, case & tubing	555.00
81-F907RK-LV	Cal kit, fixed, 34L cyl 50% LEL Methane in Air, 34AL cyl 25 ppm Hydrogen Sulfide in N ₂ , reg with gauge & knob (34L), reg with gauge & knob (34AL), cal cup, screwdriver, case & tubing	620.00
81-F907RKIR-LV	Cal kit, fixed, IR, LEL CH ₄ /H ₂ S, 34L	635.00
81-F907RKS-LV	Cal kit, fixed, 34L cyl 50% LEL Methane in Air, 34AL cyl 25 ppm Hydrogen Sulfide in N ₂ , dispensing valve, high flow reg with gauge & knob, gas bag, screwdriver, case & tubing	505.00
81-F908RKS	Cal Kit, fixed, LEL SO ₂ /CO, 58/103L, dem reg	615.00
81-F920RK	Cal kit, fixed, 103L steel cyl 50 ppm Carbon Monoxide / 50% LEL Methane / 12% Oxygen in N ₂ , 58AL cyl 25 ppm Hydrogen Sulfide in N ₂ , reg with gauge & knob, cal cup, screwdriver, case & tubing	555.00
81-F920RK-LV	Cal kit, fixed, 34L cyl 50 ppm Carbon Monoxide / 50% LEL Methane / 12% Oxygen in N ₂ , 34AL cyl 25 ppm Hydrogen Sulfide in N ₂ , reg with gauge & knob (34L cyl), reg with gauge & knob (34AL cyl), cal cup, screwdriver, case & tubing	675.00
81-F924RK-LV	Cal kit, fixed, 34L cyl 50% LEL Hydrogen in Air, 34L cyl 100% N ₂ , reg with gauge & knob, cal cup, screwdriver, case & tubing	420.00
81-F930RKIR-LV	Cal kit, fixed, IR, LEL CH ₄ /H ₂ S/CO, 34L	485.00
81-F931RK-LV	Cal kit, fixed, 34L cyl 50% LEL Isobutane in N ₂ , 34L cyl 50 ppm Carbon Monoxide / 50% LEL Methane / 12% Oxygen in N ₂ , reg with gauge & knob, cal cup, screwdriver, case & tubing	420.00
81-F931RKIR-LV	Cal kit, fixed, 34L cyl 50% LEL Isobutane / 50 ppm Carbon Monoxide / 25 ppm Hydrogen Sulfide / 12% Oxygen in N ₂ , reg with gauge & knob, IR cal cup, standard cal cup, screwdriver, case & tubing	485.00
81-F932RK-LV	Cal kit, fixed, 34L cyl 50% LEL Propane in Air, 34L cyl 50 ppm Carbon Monoxide in Air, reg with gauge & knob, cal cup, screwdriver, case & tubing	420.00

Numerical Index

Part#	Description	Suggested Retail
81-F933RK-LV	Cal kit, fixed, 34L cyl 50% LEL Propane in Air, 34L cyl 100 ppm Carbon Monoxide in Air, reg with gauge & knob, cal cup, screwdriver, case & tubing	420.00
81-F936RK-LV	Cal Kit,Diffusion,LEL/O2/H2S/CO,34AL	470.00
81-F943RK-LV	Cal Kit,fixed,LEL/CO/OXY,w/100% N2,34L	405.00
81-F944RK-LV	Cal kit, fixed, 34L cyl 2.5% Carbon Dioxide in N2, 34L cyl Compressed Air, 34L cyl 100% N2, reg with gauge & knob, cal cup for IR 3/4" NPT sensor, cal cup standard, case & tubing	420.00
81-F946RK-LV	Cal Kit,fixed,CO/NO,34L	690.00
81-F947RK-DLV	Cal Kit,fixed,H2 50% LEL in Air,34L, CO 50 ppm in Air,34L,dem flow reg,case & tubing	480.00
81-F948RK-LV	Cal Kit,fixed,HEX/CO/O2,34L	350.00
81-F949RK-LV	Cal Kit,fixed,Cl2/N2 34AL,CO2/N2 103L,N2 103L, 2 cal cups	980.00
81-F951RK-LV	Cal Kit,fixed,H2 50%LEL/air 34L, CO 50 ppm/Air 34L,reg,case,tubing	475.00
81-F953RK-LV	Cal Kit,fixed,CH4/CO/O2,103L, H2S/N2 34AL, reg, cal cup	520.00
81-F956RKS-LV	Cal Kit,fixed,CH4 vol,34L,H2S/N2, 34AL,sample bag, reg	410.00
81-F970RK-LV	Cal Kit,fixed,HEX/CO,34L	405.00
81-F971RK	Cal Kit,fixed,LEL propane,103L, zero air,103L, LEL/CO/O2,103L	805.00
81-F975RK-LV	Cal Kit,fixed,H2 50%LEL/air 34L,CO 50ppm/N2 34L,zero air 34L,reg,case,tubing	475.00
81-FMPS-CH4	Cal kit, fixed, MPStm sensor, CH4 50% LEL in 18% O2 with a balance of N2, 103 liter steel, regulator, screwdriver, case & tubing	365.00
81-GP01	Cal kit, GP-01, 103L steel cyl 50% LEL CH4/Air, reg with gauge & knob, cal cup, case & tubing	365.00
81-GP01-H2LV	Cal kit, GP-01, 34L cyl 50% LEL H2/Air, reg with gauge & knob, cal cup, case & tubing	325.00
81-GP01-HLV	Cal kit, GP-01, 34L cyl 15% LEL Hexane/Air, reg with gauge & knob, cal cup, case & tubing	325.00
81-GP01-LV	Cal kit, GP-01, 34L cyl 50% LEL CH4/Air, reg with gauge & knob, cal cup, case & tubing	325.00
81-GP03	Cal kit, GP-03, 103L steel cyl 50% LEL CH4/Air, regulator, cal cup, case & tubing	370.00
81-GP03-HLV	Cal kit, GP-03, 34L cyl 15% LEL Hexane/Air, regulator, cal cup, case & tubing	330.00
81-GP03-LV	Cal kit, GP-03, 34L cyl 50% LEL CH4/Air, regulator, cal cup, case & tubing	330.00
81-GP03H2-LV	Cal kit, GP-03, 34L cyl 50% LEL Hydrogen/Air, regulator, cal cup, case & tubing	330.00
81-GP03IB-LV	Cal kit, GP-03, 34L cyl 50% LEL Isobutane/Air, regulator, cal cup, case & tubing	330.00
81-GP1000-DLV	Cal kit, GP-1000, 34AL 50% CH4 in air, dem flow reg, case & tubing	435.00
81-GP1000IBDLV	Cal kit, GP-1000, 34AL 50% isobutane in air, dem flow reg, case & tubing	435.00
81-GP204	Cal kit, GP-204, 34L cyl CH4/Air, reg with gauge & knob, screwdriver, case & tubing	315.00
81-GP204-ISO	Cal kit, GP-204, 34L cyl 50% LEL isobutane/Air, reg with gauge & knob, screwdriver, case & tubing	315.00
81-GP204PRO-LV	Cal Kit,GP-204,PROPANE,50% LEL,34L	315.00
81-GP226	Cal kit, GP-226, 34L cyl 20% LEL isobutane/Air, disp valve, gas bag, screwdriver, case & tubing	250.00
81-GT51-DLV	Cal kit, Gas Tracer, 34L cyl 500 ppm CH4/Air, humidifier tube, dem flow reg, case & tubing	585.00
81-GT64-DLV	Cal kit, Gas Tracer, 34L cyl 500 ppm CH4/Air, 34L CO/CH4/O2, humidifier tube, dem flow reg, case & tubing	640.00
81-GT69	Cal kit, Gas Tracer, 103L steel cyl 500 ppm CH4/Air, 58L steel 100% vol CH4, 103L steel CO/CH4/O2, humidifier tube, dem flow reg, case & tubing	1,070.00
81-GW2C-LV	Cal kit, GW2, 34L cyl CO / N2, reg with gauge & knob, cal cup, case & tubing	325.00
81-GW2H	Cal Kit,GasWatch 2,H2S,58AL	365.00
81-GW2H-LV	Cal kit, GW2, 34AL cyl H2S/N2,reg with gauge & knob, cal cup, case & tubing	400.00
81-GW2X-LV	Cal kit, GW2, 34L cyl 100% N2, reg with gauge & knob, cal cup, case & tubing	325.00
81-GW3CO	Cal kit, GasWatch 3, CO 50 ppm / N2, 103L steel cyl, regulator, cal cup, case & tubing	365.00
81-GW3CO-LV	Cal kit, GasWatch 3, CO 50 ppm / N2, 34L cyl, regulator, cal cup, case & tubing	325.00
81-GW3COH-LV	Cal kit, GasWatch 3, CO 50 ppm / N2, 34L, H2 200 ppm / air, 34L, regulator, cal cup, case & tubing	325.00
81-GW3HS	Cal kit, GasWatch 3, H2S 25 ppm / N2, 58AL cyl, regulator, cal cup, case & tubing	365.00
81-GW3HS-LV	Cal kit, GasWatch 3, H2S 25 ppm / N2, 34AL cyl, regulator, cal cup, case & tubing	400.00
81-GW3OX	Cal kit, GasWatch 3, N2 100%, 103L steel cyl, regulator, cal cup, case & tubing	365.00
81-GW3OX-LV	Cal kit, GasWatch 3, N2 100%, 34L cyl, regulator, cal cup, case & tubing	325.00
81-GX01CO	Cal kit, GX-2001/GX-2009, 103L steel cyl Methane/CO/O2, reg with gauge & knob, cal cap, case & tubing	360.00
81-GX01CO-LV	Cal kit, GX-2001/GX-2009, 34L cyl Methane/CO/O2, reg with gauge & knob, cal cap, case & tubing	320.00
81-GX01HCOIB-LV	Cal kit, GX-2001/GX-2009, 34AL cyl Isobutane/H2S/CO/O2, reg with gauge & knob, cal cap, case & tubing	425.00
81-GX01HSCO	Cal kit, GX-2001/GX-2009, 58AL cyl Methane/H2S/CO/O2, reg with gauge & knob, cal cap, case & tubing	400.00
81-GX01HSCO-LV	Cal kit, GX-2001/GX-2009, 34AL cyl Methane/H2S/CO/O2, reg with gauge & knob, cal cap, case & tubing	425.00
81-GX01HSO2-LV	Cal kit, GX-2001/GX-2009, 34AL cyl H2S/N2, reg with gauge & knob, cal cap, case & tubing	285.00
81-GX01HXCO-LV	Cal kit, GX-2001/GX-2009, 34L cyl Hexane/O2/H2S/CO/N2, reg with gauge & knob, cal cap, case & tubing	425.00
81-GX01IB-LV	Cal kit, GX-2001/GX-2009, 34L cyl Isobutane/air, 34L cyl 100% N2, reg with gauge & knob, cal cap, case & tubing	375.00
81-GX03CO	Cal kit, GX-2003/GX-2012, 103L steel cyl CO/CH4/O2 in N2, dem flow reg, case & tubing	455.00
81-GX03CO-DLV	Cal kit, GX-2003/GX-2012, 34L cyl CO/CH4/O2, dem flow reg, case & tubing	455.00
81-GX03CO-LV	Cal kit, GX-2003/GX-2012, 34L cyl CO/CH4/O2 in N2, dispensing valve, gas bag, case & tubing	240.00

Numerical Index

Part#	Description	Suggested Retail
81-GX03HSCO	Cal kit, GX-2003/GX-2012, 58AL cyl H2S (25 ppm)/CO/CH4/O2, dem flow reg, case & tubing	495.00
81-GX03HSCO-DLV	Cal kit, GX-2003/GX-2012, 34AL cyl H2S (25 ppm)/CO/CH4/O2, dem flow reg, case & tubing	520.00
81-GX03HSCO-LV	Cal kit, GX-2003/GX-2012, 34AL cyl H2S (25 ppm)/CO/CH4/O2, reg with gauge & knob, gas bag, case & tubing	435.00
81-GX03IB20-DLV	Cal kit, GX-2003, 20% LEL isoButane, 34 liter, dem flow reg	455.00
81-GX03PRO-DLV	Cal kit, GX-2003, LEL Propane in air 34L, demand flow regulator	455.00
81-GX03VCO	Cal kit, GX-2003, 103 liter 3-gas/58 liter 100% volume CH4	645.00
81-GX03VCO-DLV	Cal kit, GX-2003/GX-2012, 34L cyl CO/CH4/O2, 58L 100% vol CH4, dem flow reg, case & tubing	605.00
81-GX03VHSCO	Cal kit, GX-2003/GX-2012, 58AL cyl H2S (25 ppm)/CO/CH4/O2, 58L 100% vol. CH4, dem flow reg, case & tubing	645.00
81-GX03VHSCO-DLV	Cal kit, GX-2003, 34 liter 4-gas/34 liter 100% volume CH4	535.00
81-GX03VHSCO-LV	Cal kit, GX-2003/GX-2012, 34AL cyl H2S (25 ppm)/CO/CH4/O2, 58L cyl 100% vol. CH4, reg with gauge & knob, disp valve, gas bag, case & tubing	585.00
81-GX03VHSCODLV	Cal kit, GX-2003/GX-2012, 34AL cyl H2S (25 ppm)/CO/CH4/O2, 58L cyl 100% vol. CH4, 1 dem flow reg, case & tubing	670.00
81-GX09CONO2	Cal kit, GX-2009 MSHA, 58AL cyl Methane/NO2/CO/O2, reg with gauge & knob, cal cap, case & tubing	530.00
81-GX09CONO2-LV	Cal kit, GX-2009 MSHA, 34AL cyl Methane/NO2/CO/O2, reg with gauge & knob, cal cap, case & tubing	510.00
81-GX12VCO-DLV	Cal kit, GX-2012, 34L cyl CO/CH4/O2, 34L 50% vol CH4, dem flow reg, case & tubing	510.00
81-GX3RCO	Cal kit, GX-3R or GX-3R Pro, 103L steel cyl CO 50 ppm / CH4 50% LEL / O2 12% in N2, regulator 0.25 LPM, case & tubing	340.00
81-GX3RCO-LV	Cal kit, GX-3R or GX-3R Pro, 34L cyl CO 50 ppm / CH4 50% LEL / O2 12% in N2, regulator 0.25 LPM, case & tubing	300.00
81-GX3RD-LV	Cal Kit, GX-3R/GX-3R Pro, CO/CH4/O2, 34L	355.00
81-GX3RHSCO	Cal kit, GX-3R or GX-3R Pro, 58AL cyl H2S 25 ppm / CO 50 ppm / CH4 50% LEL / O2 12% in N2, regulator 0.25 LPM, case & tubing	380.00
81-GX3RHSCO-06	Response check kit, GX-3R/GX-3R Pro, HS/CO/CH4/O2, 11AL aerosol	150.00
81-GX3RHSCO-116	Cal kit, GX-3R or GX-3R Pro, 116AL cyl H2S 25 ppm / CO 50 ppm / CH4 50% LEL / O2 12% in N2, regulator 0.25 LPM, case & tubing	510.00
81-GX3RHSCO-LV	Cal kit, GX-3R or GX-3R Pro, 34AL cyl H2S 25 ppm / CO 50 ppm / CH4 50% LEL / O2 12% in N2, regulator 0.25 LPM, case & tubing	405.00
81-GX3RHSCOP-LV	Cal kit, GX-3R or GX-3R Pro, 34AL cyl H2S 25 ppm / CO 50 ppm / Propane 50% LEL / O2 12% in N2, regulator 0.25 LPM, case & tubing	425.00
81-GX3RNG-01	Cal Kit, GX-3R/GX-3R Pro, No Gas, fits two 34L steel cylinders	245.00
81-GX3RNG-03	Cal Kit, GX-3R/GX-3R Pro, No Gas, fits two 58AL/103L cylinders	190.00
81-GX3RO2	Cal Kit, GX-3R/GX-3R Pro, O2	340.00
81-GX3RO2H2-LV	Cal kit, GX-3R or GX-3R Pro, 34L steel cyl H2 50% LEL in air, 34L steel cyl N2 100%, regulator with 0.25 LPM, case & tubing	355.00
81-GX8000IB	Cal kit, GX-8000, H2S/CO/LEL isobutane/Oxy, dem flow reg, 58AL	565.00
81-GX8000IB-LV	Cal kit, GX-8000, H2S/CO/LEL isobutane/Oxy, w/gas bag, 34 liter	430.00
81-GXFA	Cal kit, GX-Force, 58AL cyl H2S 25 ppm / CO 50 ppm / CH4 50% LEL / O2 12% in N2, demand flow regulator, case & tubing	535.00
81-GXFD	Cal kit, GX-Force, 103L cyl CO 50 ppm / CH4 50% LEL / O2 12% in N2, demand flow regulator, case & tubing	495.00
81-HS01-LV	Cal kit, HS-01, 34AL cyl 25 ppm H2S/N2, reg with gauge & knob, cal cup, case & tubing	400.00
81-HS03	Cal kit, HS-03, 58AL cyl 25 ppm H2S/N2, regulator, cal cup, case & tubing	370.00
81-HS03-LV	Cal kit, HS-03, 34AL cyl 25 ppm H2S/N2, regulator, cal cup, case & tubing	405.00
81-HS03NG-LV	Cal kit, HS-03, no gas, fits two 34AL cylinders, regulator, cal cup, case & tubing	275.00
81-HS04-LV	Cal kit, HS-04, 34AL cyl H2S 25 ppm in N2, regulator, cal cup, case & tubing	495.00
81-NC1000-DLV	Cal kit, NC-1000, 34AL isobutane 500 ppm in air, dem flow reg, case & tubing	435.00
81-NP204	Cal kit, NP-204, 34L cyl 50% LEL CH4/Air, 34L cyl 50% vol CH4/N2, reg with gauge & knob, screwdriver, case & tubing	370.00
81-OX01-LV	Cal kit, OX-01, 34L cyl 100% N2, reg with gauge and knob, cal cup, case & tubing	325.00
81-OX03	Cal kit, OX-03, 103L steel cyl 100% N2, regulator, cal cup, case & tubing	370.00
81-OX03-LV	Cal kit, OX-03, 34L cyl 100% N2, regulator, cal cup, case & tubing	330.00
81-OX04-LV	Cal kit, OX-04, 34AL cyl N2 100%, regulator, cal cup, case & tubing	330.00
81-OX07-LV	Cal kit, OX-07, 34L cyl 100% N2, reg with gauge & knob, cal cup, case & tubing	400.00
81-OX07NG-LV	Cal kit, OX-01, with no gas, reg with gauge & knob, cal cup, case & tubing	345.00
81-OX1	Cal kit, OX-1, 34L cyl 100% N2, reg with gauge & knob, screwdriver, case & tubing	315.00
81-OX226	Cal kit, OX-226, 34L cyl 100% N2, reg with gauge & knob, screwdriver, case & tubing	250.00
81-OX500-LV	Cal Kit, fixed for OX-500, 100% N2, reg with gauge & knob, cal cup, case & tubing	300.00
81-OX600-LV	Cal Kit, fixed for OX-600, N2 100% 34L, regulator, cal cup, case & tubing	345.00

Numerical Index

Part#	Description	Suggested Retail
81-OX600A-LV	Cal Kit, fixed for OX-600, N2 100% 34L, Zero Air 34L, regulator, cal cup, case & tubing	400.00
81-PAA	Cal kit, GX-3R Pro, 58AL cyl H2S 25 ppm / CO 50 ppm / CH4 50% LEL / O2 12% in N2, 103L steel cyl 5,000 ppm CO2 in N2, regulator 0.25 LPM, case & tubing	530.00
81-PAB	Cal kit, GX-3R Pro, 58AL cyl H2S 25 ppm / CO 50 ppm / CH4 50% LEL / O2 12% in N2, 103L steel cyl 2.5% vol CO2 in N2, regulator 0.25 LPM, case & tubing	530.00
81-PAB-LV	Cal kit, GX-3R Pro, 34AL cyl H2S 25 ppm / CO 50 ppm / CH4 50% LEL / O2 12% in N2, 34L cyl 2.5% vol CO2 in N2, two regulators 0.25 LPM, case & tubing	490.00
81-PAC	Cal kit, GX-3R Pro, 58AL cyl SO2 5 ppm / H2S 25 ppm / CO 50 ppm / CH4 50% LEL / O2 12% in N2, regulator 0.25 LPM, case & tubing	470.00
81-PAC-LV	Cal kit, GX-3R Pro, 34AL cyl SO2 5 ppm / H2S 25 ppm / CO 50 ppm / CH4 50% LEL / O2 12% in N2, regulator 0.25 LPM, case & tubing	445.00
81-PAE-LV	Cal kit, GX-3R Pro, 34AL cyl H2S 25 ppm / CO 50 ppm / CH4 50% LEL / O2 12% in N2, 34AL cyl 10 ppm HCN in N2, regulator 0.25 LPM, case & tubing	715.00
81-PAX-IBLV	Cal kit, GX-3R Pro, 34AL cyl H2S 25 ppm/CO 50 ppm/isobutane 50% LEL/O2 12% in N2, regulator with .25 LPM, case & tubing	405.00
81-PCX-LV	Cal kit, GX-3R Pro, 34AL cyl H2S 25 ppm / CO 50 ppm / CH4 50% LEL / O2 12% in N2, 103L cyl H2 2000 ppm in air, regulator 0.25 LPM, case & tubing	500.00
81-PED-LV	Cal kit, GX-3R Pro, 34AL cyl NO2 10 ppm/CO 50 ppm/O2 12% in N2 (7 month shelf life), regulator with .25 LPM, case & tubing	465.00
81-PEG-LV	Cal kit, GX-3R Pro, 34L cyl 50% LEL CH4/CO 50 ppm/O2 12% in N2, 34AL 25 ppm NH3 in N2, regulator with .25 LPM, case & tubing	580.00
81-PPA	Cal kit, GX-3R Pro, 103L steel cyl 5,000 ppm CO2 in N2, regulator 0.25 LPM, case & tubing	340.00
81-PPA-LV	Cal kit, GX-3R Pro, 34L cyl 5,000 ppm CO2 in N2, regulator 0.25 LPM, case & tubing	300.00
81-PS225H2-LV	Cal kit, 34L cyl 10% LEL (4,000 ppm) Hydrogen in Air, 34L cyl 25% LEL Hydrogen in Air, reg with gauge & knob, cal cup for PS 2, screwdriver, case & tubing	375.00
81-PS2CH4	Cal kit, 34L cyl 10% LEL Methane in Air, 34L cyl 25% LEL Methane in Air, reg with gauge & knob, cal cup for PS 2, screwdriver, case & tubing	375.00
81-PS2ETH-LV	Cal Kit,PS2 Ethanol,2000/4000 ppm Hydrogen,34L	375.00
81-PS2H2	Cal kit, 103L steel cyl 10% LEL (4,000 ppm) Hydrogen in Air, 103L steel cyl 30% LEL Hydrogen in Air, reg with gauge & knob, cal cup for PS 2, screwdriver, case & tubing	510.00
81-PS2H2-LV	Cal kit, 34L cyl 10% LEL (4,000 ppm) Hydrogen in Air, 34L cyl 30% LEL Hydrogen in Air, reg with gauge & knob, cal cup for PS 2, screwdriver, case & tubing	375.00
81-PS2H2530-LV	Cal Kit,PS2,5%/30% LEL Hydrogen,34L	375.00
81-PS2PR	Cal kit, 103L steel cyl 10% LEL Propane in air, 103L steel cyl 30% LEL Propane in air, reg with gauge & knob, cal cup for PS-2, screwdriver, case & tubing	510.00
81-PS2PR-LV	Cal Kit,PS2,10%/25% LEL Propane,34L	365.00
81-PXB	Cal kit, GX-3R Pro, 103L steel cyl 10% CO2 in N2, regulator 0.25 LPM, case & tubing	340.00
81-PXG	Cal kit,GX-3R Pro,NH3,58AL,Reg,case	515.00
81-PXG-LV	Cal kit,GX-3R Pro,NH3,34AL,Reg,case	555.00
81-RI413R12	Cal kit, RI-413, 17L cyl 2,000 ppm R-12/Air, disp valve, gas bag, screwdriver, case & tubing	295.00
81-RI413R134	Cal kit, RI-413, 34L cyl 2,000 ppm R-134A/Air, disp valve, gas bag, screwdriver, case & tubing	345.00
81-RI415CH4	Cal kit, RI-415/RX-8000, 34L cyl 50% LEL CH4/Air, 34L cyl 50% vol CH4/Air, disp valve, gas bag, two gas bags, case & tubing	355.00
81-RI415CH4-03	Cal Kit,RI-415,CH4,dem flow reg, 103L	605.00
81-RI415HC	Cal kit, RI-415/RX-8000, 34L cyl 50% LEL isobutane/Air, 17L cyl 10% vol isobutane/N2, disp valve, two gas bags, case & tubing	345.00
81-RI60002K-LV	Cal kit, RI-600, CO2 2,000 ppm in N2, 34L cyl, N2 100%, 34L cyl, cal cup, regulator, case & tubing	400.00
81-RI60005K-LV	Cal kit, RI-600, CO2 5,000 ppm in N2, 34L cyl, N2 100%, 34L cyl, cal cup, regulator, case & tubing	400.00
81-RI60050K-LV	Cal kit, RI-600, CO2 2.5% in N2, 34L cyl, N2 100%, 34L cyl, cal cup, regulator, case & tubing	400.00
81-RI85	Cal kit, RI-85, 34L cyl 5, 000 ppm CO2/N2, 34L cyl 100% N2, disp valve, gas bag, case & tubing	295.00
81-RI85-05	Cal kit, RI-85, 34L cyl 2.5% CO2/N2, 34L cyl 100% N2, disp valve, gas bag, case & tubing	295.00
81-RI85NG-LV	Cal kit, RI-85, no gas, fits two 34AL cylinders, dispensing valve, gas bag, case & tubing	185.00
81-RX415CH4	Cal kit, RX-415/RX-8000, 34L cyl 50% LEL CH4/Air, 34L cyl 50% vol CH4/Air, 34L cyl 100% N2, disp valve, 3 gas bags, case & tubing	440.00
81-RX415CH4-03	Cal kit,RX-415,CH4,dem flow reg, 103 liter	940.00
81-RX415HC	Cal kit, RX-415/RX-8000, 34L cyl 50% LEL isobutane/Air, 17L cyl 10% vol isobutane/Air, 34L cyl 100% N2, disp valve, three gas bags, case & tubing	430.00
81-RX415HCD	Cal kit, RX-415/RX-8000, 34L cyl 50% LEL isobutane/Air, 34L cyl 10% vol isobutane/Air, 34L cyl 100% N2, dem flow reg, case & tubing	555.00
81-RX515	Cal kit, RX-515, 34AL cyl 50% vol CH4 in N2, 103L steel cyl 15% CO2 in N2, 103L steel cyl CO/CH4/O2, dem flow reg, case & tubing	870.00

Numerical Index

Part#	Description	Suggested Retail
81-RX515-LV	Cal kit, RX-515, 34L cyl 10% vol CH4 in N2, 34L cyl 50% LEL CH4 in Air, 34L cyl 100 ppm CO in N2, 34L cyl 15% CO2 in N2, dispensing valve, three gas bags, case & tubing	625.00
81-RX516-LV	Cal kit, RX-516, 17L cyl 10% vol isobutane in N2, 34AL cyl 50 ppm H2S/50% LEL isobutane in N2, reg with gauge & knob, disp valve, two gas bags, case & tubing.....	565.00
81-RX517-DLV	Cal kit, RX-517, 34L cyl 50 ppm H2S/50% LEL isobutane in N2, 17L cyl 10% vol isobutane/N2, two demand flow regs, case & tubing	875.00
81-RX517-LV	Cal kit, RX-517, 34L cyl 50 ppm H2S/50% LEL isobutane in N2, 17L cyl 10% vol isobutane/N2, disp valve, 6 LPM regulator, two gas bags, case & tubing	565.00
81-RX517RK	Cal kit, RX-517, 58AL cyl 50 ppm H2S/50% LEL isobutane in N2, 17L cyl 10% vol isobutane in N2, two demand flow regulators, case & tubing	890.00
81-RX517RKNG	Cal kit, RX-517, two dem flow regs, screwdriver, case for 58AL / 103L steel cylinders & tubing (No Gas) ...	625.00
81-SC01ASH3	Cal kit, SC-01, 58AL cyl 0.5 ppm PH3/N2, reg with gauge & knob, cal cup, case & tubing	615.00
81-SC01ASH3-LV	Cal kit, SC-01, 34AL cyl 0.5 ppm PH3/N2, reg with gauge & knob, cal cup, case & tubing	635.00
81-SC01CL2	Cal kit, SC-01, 58AL cyl 2 ppm Cl2/N2, reg with gauge & knob, cal cup, case & tubing	660.00
81-SC01CL2-LV	Cal kit, SC-01, 34AL cyl 2 ppm Cl2/N2, reg with gauge & knob, cal cup, case & tubing	600.00
81-SC01CO	Cal kit, SC-01, 103L steel cyl 50 ppm CO/N2, reg with gauge & knob, cal cup, case & tubing	440.00
81-SC01CO-LV	Cal kit, SC-01, 34L cyl 50 ppm CO/N2, reg with gauge & knob, cal cup, case & tubing	345.00
81-SC01H2S	Cal kit, SC-01, 58AL cyl 25 ppm H2S/N2, reg with gauge & knob, cal cup, case & tubing	440.00
81-SC01H2S-LV	Cal kit, SC-01, 34AL cyl 25 ppm H2S/N2, reg with gauge & knob, cal cup, case & tubing	475.00
81-SC01HCN	Cal kit, SC-01, 58AL cyl 10 ppm HCN/N2, reg with gauge & knob, cal cup, case & tubing	615.00
81-SC01HCN-LV	Cal kit, SC-01, 34AL cyl 10 ppm HCN/N2, reg with gauge & knob, cal cup, case & tubing	655.00
81-SC01NH3	Cal kit, SC-01, 58AL cyl 25 ppm NH3/N2, reg with gauge & knob, cal cup, case & tubing	620.00
81-SC01NH3-LV	Cal kit, SC-01, 34AL cyl 25 ppm NH3/N2, reg with gauge & knob, cal cup, case & tubing	660.00
81-SC01PH3-LV	Cal kit, SC-01, 34AL cyl 0.5 ppm PH3/N2, reg with gauge & knob, cal cup, case & tubing	635.00
81-SC01SO2	Cal kit, SC-01, 58AL cyl 5 ppm SO2/N2, reg with gauge & knob, cal cup, case & tubing	475.00
81-SC01SO2-LV	Cal kit, SC-01, 34AL cyl 5 ppm SO2/N2, reg with gauge & knob, cal cup, case & tubing	485.00
81-SC04CL2-LV	Cal kit, SC-04, 34AL cyl CL2 5 ppm in N2, regulator, cal cup, case & tubing.....	525.00
81-SC04HCN-LV	Cal kit, SC-04, 34AL cyl HCN 10 ppm in N2, regulator, cal cup, case & tubing	585.00
81-SC04NH3-LV	Cal kit, SC-04, 34AL cyl NH3 25 ppm in N2, regulator, cal cup, case & tubing	585.00
81-SC04NO2-LV	Cal kit, SC-04, 34AL cyl NO2 10 ppm in N2, regulator, cal cup, case & tubing	565.00
81-SC04PH3-LV	Cal kit, SC-04, 34AL cyl PH3 0.5 ppm in N2, regulator, cal cup, case & tubing	565.00
81-SC04SO2-LV	Cal kit, SC-04, 34AL cyl SO2 5 ppm in N2, regulator, cal cup, case & tubing	415.00
81-SC8000-H2O2	Cal Kit,SC-8000 for H2O2, PH3 0.5 ppm in N2,34AL,N2 100%,103L steel,reg,bag,case	655.00
81-SD-1GH-ACNLV	Cal Kit,SD-1GH, 50 ppm isobutane/Air 34L, reg, cal cup, humidifer tube, case & tubing	760.00
81-SD-1GH-CLFM	Cal Kit,SD-1GH, 2500 ppm isobutane/Air 34L, reg, cal cup, humidifer tube, case & tubing	760.00
81-SD-1GH-EDC-1	Cal Kit,SD-1GH, 1000 ppm CH4/Air 34L, reg, cal cup, case & tubing	505.00
81-SD-1GH-H22K	Cal Kit, fixed for SD-1GP, 2000 ppm H2/Air 34L, reg, cal cup, case & tubing	760.00
81-SD-1GP-CH4LV	Cal Kit, fixed for SD-1GP, 50% LEL CH4/Air 34L, reg, cal cup, case & tubing.....	420.00
81-SD-1GP-H2LV	Cal Kit, fixed for SD-1GP, 50% LEL H2/Air 34L, reg, cal cup, case & tubing	420.00
81-SD-1GP-LPGV	Cal Kit,SD-1GH, Propane 50% LEL/Air 34L, reg, cal cup, case & tubing	420.00
81-SD-1RI-IBLV	Cal Kit, fixed for SD-1GP, 50% LEL isobutane/Air 34L, reg, cal cup, case & tubing	420.00
81-SD1GPH2CO-LV	Cal Kit, fixed for SD-1GP, 50% LEL H2 in Air 34L, for SD-1EC, 50 ppm CO in Air 34L, reg, 2 cal cups, case & tubing	835.00
81-SDM03	Single point calibration station for 03 Series, model SDM-03 with AC Adaptor	1,270.00
81-SDM03-01	Single point calibration station for 03 Series, model SDM-03 with AC Adaptor, flash drive, USB cable, & tubing	1,280.00
81-SDM03-02	Single point calibration station for 03 Series, model SDM-03 with AC Adaptor, flash drive, USB cable, tubing, & demand flow regulator	1,520.00
81-SDM03-03-CO	Single point calibration station for 03 Series, model SDM-03 with AC Adaptor, flash drive, USB cable, tubing, demand flow regulator & 103L steel cyl 50 ppm CO/N2	1,670.00
81-SDM03-03-GP	Single point calibration station for 03 Series, model SDM-03 with AC Adaptor, flash drive, USB cable, tubing, demand flow regulator & 103L steel cyl 50% LEL CH4/Air	1,735.00
81-SDM03-03-HS	Single point calibration station for 03 Series, model SDM-03 with AC Adaptor, flash drive, USB cable, tubing, demand flow regulator & 58AL cyl 25 ppm H2S/N2	1,735.00
81-SDM03-03-OX	Single point calibration station for 03 Series, model SDM-03 with AC Adaptor, flash drive, USB cable, tubing, demand flow regulator & 103L steel cyl 100% N2	1,735.00
81-SDM03-06-CO	Single point calibration station for 03 Series, model SDM-03 with AC Adaptor, flash drive, USB cable, tubing, demand flow regulator & 34L cyl 50 ppm CO/N2	1,615.00
81-SDM03-06-GP	Single point calibration station for 03 Series, model SDM-03 with AC Adaptor, flash drive, USB cable, tubing, demand flow regulator & 34L cyl 50% LEL CH4/Air	1,615.00

Numerical Index

Part#	Description	Suggested Retail
81-SDM03-06-HS	Single point calibration station for 03 Series, model SDM-03 with AC Adaptor, flash drive, USB cable, tubing, demand flow regulator & 34AL cyl 25 ppm H2S/N2	1,715.00
81-SDM03-06-OX	Single point calibration station for 03 Series, model SDM-03 with AC Adaptor, flash drive, USB cable, tubing, demand flow regulator & 34L cyl 100% N2	1,615.00
81-SDM03-11	Single point calibration station for 03 Series, model SDM-03 without AC Adaptor, flash drive, USB cable, & tubing	1,260.00
81-SDM03-12	Single point calibration station for 03 Series, model SDM-03 without AC Adaptor, flash drive, USB cable, tubing, & demand flow regulator	1,605.00
81-SDM03-13-CO	Single point calibration station for 03 Series, model SDM-03 without AC Adaptor, flash drive, USB cable, tubing, demand flow regulator & 103L steel cyl 50 ppm CO/N2	1,650.00
81-SDM03-13-GP	Single point calibration station for 03 Series, model SDM-03 without AC Adaptor, flash drive, USB cable, tubing, demand flow regulator & 103L steel cyl 50% LEL CH4/Air	1,755.00
81-SDM03-13-HS	Single point calibration station for 03 Series, model SDM-03 without AC Adaptor, flash drive, USB cable, tubing, demand flow regulator & 58AL cyl 25 ppm H2S/N2	1,755.00
81-SDM03-13-OX	Single point calibration station for 03 Series, model SDM-03 without AC Adaptor, flash drive, USB cable, tubing, demand flow regulator & 103L steel cyl 100% N2	1,755.00
81-SDM03-16-CO	Single point calibration station for 03 Series, model SDM-03 without AC Adaptor, flash drive, USB cable, tubing, demand flow regulator & 34AL cyl 50 ppm CO/N2	1,595.00
81-SDM03-16-GP	Single point calibration station for 03 Series, model SDM-03 without AC Adaptor, flash drive, USB cable, tubing, demand flow regulator & 34AL cyl 50% LEL CH4/Air	1,595.00
81-SDM03-16-HS	Single point calibration station for 03 Series, model SDM-03 without AC Adaptor, flash drive, USB cable, tubing, demand flow regulator & 34AL cyl 25 ppm H2S/N2	1,715.00
81-SDM03-16-OX	Single point calibration station for 03 Series, model SDM-03 without AC Adaptor, flash drive, USB cable, tubing, demand flow regulator & 34AL cyl 100% N2	1,595.00
81-SDM03-ACC	Standard accessories for SDM-03 calibration station	68.00
81-SDM04-01	Single point calibration station for 04 Series, model SDM-04 with AC Adaptor, flash drive, USB cable, & tubing	1,280.00
81-SDM04-02	Single point calibration station for 04 Series, model SDM-04 with AC Adaptor, flash drive, USB cable, tubing, & demand flow regulator	1,520.00
81-SDM04-03-OX	Single point calibration station for 04 Series, model SDM-04 with AC Adaptor, flash drive, USB cable, tubing, demand flow regulator & 103L steel cyl 100% N2	1,735.00
81-SDM2009	SDM-2009 calibration station w/AC adaptor	1,290.00
81-SDM2009-01	Single point calibration station for GX-2009, model SDM-2009 with AC Adaptor, flash drive, USB cable, & tubing	1,300.00
81-SDM2009-02	Single point calibration station for GX-2009, model SDM-2009 with AC Adaptor, flash drive, USB cable, tubing, & demand flow regulator	1,540.00
81-SDM2009-03	Single point calibration station for GX-2009, model SDM-2009 with AC Adaptor, flash drive, USB cable, tubing, demand flow regulator & 58AL cyl H2S (25 ppm)/CO/CH4/O2	1,730.00
81-SDM2009-06	Single point calibration station for GX-2009, model SDM-2009 with AC Adaptor, flash drive, USB cable, tubing, demand flow regulator & 34AL cyl H2S (25 ppm)/CO/CH4/O2	1,700.00
81-SDM2009-11	SDM-2009 calibration station,Flash Drive,USB Cable,Tubing,wall chart, w/o AC Adapter	1,280.00
81-SDM2009-12	SDM-2009 calibration station,Flash Drive,USB cable,tubing,wall chart,DFR,w/o AC Adapter	1,625.00
81-SDM2009-13	SDM-2009 cal station,flash dr,USB cable,tub,chart,58 liter 4-gas cylinder,DFR,w/o AC Adaptr	1,815.00
81-SDM2009-16	SDM-2009 cal station,flash dr,USB cable,tub,chart,34 liter 4-gas cylinder,DFR,w/o AC Adaptr	1,785.00
81-SDM2009-ACC	Standard accessories for SDM-2009 calibration station	68.00
81-SDM2012	SDM-2012 calibration station w/AC adapter.....	1,175.00
81-SDM2012-01	Single point calibration station for GX-2012 and Gas Tracer, model SDM-2012 with AC Adaptor, flash drive, USB cable, & tubing	1,280.00
81-SDM2012-02	Single point calibration station for GX-2012 and Gas Tracer, model SDM-2012 with AC Adaptor, flash drive, USB cable, tubing, & demand flow regulator	1,520.00
81-SDM2012-03	Single point calibration station for GX-2012, model SDM-2012 with AC Adaptor, flash drive, USB cable, tubing, demand flow regulator & 58AL cyl H2S (25 ppm)/CO/CH4/O2	1,710.00
81-SDM2012-04	Single point calibration station for GX-2012, model SDM-2012 with AC Adaptor, flash drive, USB cable, tubing, demand flow regulator, 58AL cyl H2S (25 ppm)/CO/CH4/O2 & 58L steel cyl Methane 100% volume	1,860.00
81-SDM2012-05	Single point calibration station for GX-2012, model SDM-2012 with AC Adaptor, flash drive, USB cable, tubing, two demand flow regulators, 58AL cyl H2S (25 ppm)/CO/CH4/O2 & 58L steel cyl Methane 100% volume	2,100.00
81-SDM2012-07	Single point calibration station for Gas Tracer, model SDM-2012 with AC Adaptor, flash drive, USB cable, tubing, humidifier tube, two demand flow regulators, 103L steel cyl CO/CH4/O2, & 103L steel cyl 1,000 ppm CH4/Air.....	2,060.00

Numerical Index

Part#	Description	Suggested Retail
81-SDM2012-11	SDM-2012 calibration station,flash drive,USB cable,tubing,wall chart, w/o AC Adapter	1,180.00
81-SDM2012-12	SDM-2012 cal station,flash drive,USB cable,tubing,wall chart,DFR, w/o AC Adapter	1,520.00
81-SDM2012-13	SDM-2012 cal station,flash dr,USB cable,tubing,chart,58 liter 4-gas cyl,DFR,w/o AC Adapter	1,670.00
81-SDM2012-14	SDM-2012 cal station,flash dr,USB cable,tub,chart,58L 4-gas cyl,58L vol CH4,DFR,w/o AC Aptr	1,840.00
81-SDM2012-15	SDM-2012 cal station,flash dr,USB cable,tub,chart,58L 4-gas cyl & vol CH4,2 DFRs,w/o AC Adp	2,080.00
81-SDM2012-17	SDM-2012 cal station,flash dr,USB cable,tub,chart,103L3-gas cyl & ppm CH4,2 DFRs,w/o AC Adp	2,190.00
81-SDM2012-ACC	Standard accessories for SDM-2012 calibration station	68.00
81-SDM3R100	SDM-3R docking station w/particle filter/AC adapter/exhaust tube	1,290.00
81-SDM3R101	SDM-3R calibration station with 1 solenoid, AC adapter, flash drive, USB cable, and tubing	1,300.00
81-SDM3R102	SDM-3R calibration station with 1 solenoid, demand flow regulator, AC adapter, flash drive, USB cable, and tubing	1,580.00
81-SDM3R103	SDM-3R calibration station with 1 solenoid, demand flow regulator, 58AL cyl H2S/CO/CH4/O2, cylinder holder, AC adapter, flash drive, USB cable, and tubing	1,790.00
81-SDM3R104	SDM-3R calibration station with 1 solenoid, demand flow regulator, 34AL cyl H2S/CO/CH4/O2, cylinder holder, AC adapter, flash drive, USB cable, and tubing	1,760.00
81-SDM3R109	SDM-3R calibration station with 1 solenoid, demand flow regulator, 116AL cyl H2S/CO/CH4/O2, cylinder holder, AC adapter, flash drive, USB cable, and tubing	1,920.00
81-SDM3R110	SDM-3R w/fitr/AC adapter/exh & sample tubes/flash drive/USB & LAN cables/DFR/34L 5-gas cylinder (SO2)	1,765.00
81-SDM3R201	SDM-3R calibration station with 2 solenoids, AC adapter, flash drive, USB cable, and tubing	1,450.00
81-SDM3R202	SDM-3R calibration station with 2 solenoids, demand flow regulators (2 each), AC adapter, flash drive, USB cable, and tubing	2,035.00
81-SDM3R203	SDM-3R calibration station with 2 solenoid, demand flow regulator, 58AL cyl H2S/CO/CH4/O2, cylinder holder, AC adapter, flash drive, USB cable, and tubing	1,940.00
81-SDM3R204	SDM-3R calibration station with 2 solenoid, demand flow regulator, 34AL cyl H2S/CO/CH4/O2, cylinder holder, AC adapter, flash drive, USB cable, and tubing	1,910.00
81-SDM3R301	SDM-3R calibration station with 3 solenoids, AC adapter, flash drive, USB cable, and tubing	1,600.00
81-SDM3R302	SDM-3R calibration station with 3 solenoids, demand flow regulators (3 each), AC adapter, flash drive, USB cable, and tubing	2,440.00
81-SDM3R303	SDM-3R calibration station with 3 solenoid, demand flow regulator, 58AL cyl H2S/CO/CH4/O2, cylinder holder, AC adapter, flash drive, USB cable, and tubing	2,090.00
81-SDM3R304	SDM-3R calibration station with 3 solenoid, demand flow regulator, 34AL cyl H2S/CO/CH4/O2, cylinder holder, AC adapter, flash drive, USB cable, and tubing	2,060.00
81-SDM3RACC	Standard accessories for SDM-3R	77.00
81-SDM6000	SDM-6000 calibration station for GX-6000 with particle filter, connection brackets, & 10' exhaust tube (no AC adapter)	1,995.00
81-SDM6000-01	SDM-6000 calibration station for GX-6000, includes particle filter, connection brackets, SD card, USB SD card reader, ethernet cable, USB cable for PC, 10' exhaust tubing, and single unit AC adapter	2,095.00
81-SDM6000-01MM	SDM-6000 w/USB cable/SD card & reader/ethernet cable/single unit AC adtr/10 ft exh tube, GS-MM config	2,090.00
81-SDM6000-02	SDM-6000 calibration station for GX-6000, includes particle filter, connection brackets, 10' exhaust tubing, USB cable for PC, SD card, USB SD card reader, ethernet cable, and multi-unit AC adapter	2,190.00
81-SDM6000-02MM	SDM-6000 w/USB cable/SD card & reader/ethernet cable/2-10 unit AC adptr/10 ft exh tube, GS-MM config	2,165.00
81-SDM6000-03	SDM-6000 calibration station for GX-6000, includes particle filter, connection brackets, 10' exhaust tubing, USB cable for PC, SD card, USB SD card reader, ethernet cable, single unit AC adapter, demand flow regulator, and cal gas tubing	2,375.00
81-SDM6000-04	SDM-6000 calibration station for GX-6000, includes particle filter, connection brackets, 10' exhaust tubing, USB cable for PC, SD card, USB SD card reader, ethernet cable, single unit AC adapter, demand flow regulator, cal gas tubing, 58AL cyl H2S/CO/CH4/O2, and cylinder holder	2,585.00
81-SDM6000-05	SDM-6000 calibration station for GX-6000, includes particle filter, connection brackets, 10' exhaust tubing, USB cable for PC, SD card, USB SD card reader, ethernet cable, single unit AC adapter, demand flow regulator, cal gas tubing, 58AL cyl isobutylene/H2S/CO/CH4/O2, and cylinder holder	2,735.00
81-SDM6000-06	Calibration station for SDM-6000, includes particle filter, connection brackets, 10' exhaust tubing, USB cable for PC, SD card, USB SD card reader, ethernet cable, single unit AC adapter, demand flow regulator, cal gas tubing, 34AL cyl isobutylene/air, and cylinder holder	2,545.00
81-SDM6000-07	SDM-6000 calibration station for GX-6000, includes particle filter, connection brackets, 10' exhaust tubing, USB cable for PC, SD card, USB SD card reader, ethernet cable, single unit AC adapter, demand flow regulator, cal gas tubing, 34AL cyl H2S/CO/CH4/O2, and cylinder holder	2,555.00

Numerical Index

Part#	Description	Suggested Retail
81-SDM6000-08	SDM-6000 calibration station for GX-6000, includes particle filter, connection brackets, 10' exhaust tubing, USB cable for PC, SD card, USB SD card reader, ethernet cable, single unit AC adapter, 2 demand flow regulators, cal gas tubing, 34AL cyl H2S/CO/CH4/O2, 34AL HCN/N2, and 2 cylinder holders	3,135.00
81-SDM6000-09	SDM-6000 w/USB/ethernet cable/SD card/reader/single AC adptr/DFR/smpl & exh tube/34L 5-gas(1BL)	2,625.00
81-SDM6000-09-1	SDM-6000 w/USB/ethernet cable/SD card/reader/single AC adptr/DFR/smpl & exh tube/34L 5-gas(1BL)/case	2,900.00
81-SDM6000-10	SDM-6000 w/USB/ethernet cable/SD card/reader/single AC adptr/DFR/smpl & exh tube/58L 5-gas(SO2)	2,675.00
81-SDM6000-11	SDM-6000 w/USB/ethernet cable/SD card/reader/single AC adptr/DFR/smpl & exh tube/34L 5-gas(SO2)	2,595.00
81-SDM6000-12	SDM-6000 w/USB/ethernet cable/SD card/reader/single AC adptr/DFR/smpl & exh tube/34AL benzene	2,525.00
81-SDM6000-13	SDM-6000 w/USB/ethernet cable/SD card/reader/single AC adptr/2DFRs/tubing/34AL 4gas/34AL benzene	2,965.00
81-SDM6000-ACC	Standard accessories for master SDM-6000 or single SDM-6000 system	55.00
81-SDM6000-BNZ	SDM-6000 w/USB/ethernet cable/SD card/reader/single AC adptr/1DFRs/tubing/34AL benzene	2,525.00
81-SP220F-DLV	Cal kit, SP-220, 34L steel cyl isobutane 20% LEL in air, demand flow regulator, case & tubing	455.00
81-SP220F-LV	Cal kit, SP-220, 34L steel cyl isobutane 20% LEL in air, dispensing valve, gas bag, case & tubing	240.00
81-SP220H2-DLV	Cal kit, SP-220, 34L steel cyl H2 2000 ppm in air, 34L steel cyl CH4 10% LEL in air, demand flow regulator	510.00
81-SP220H2-LV	Cal kit, SP-220, 34L steel cyl H2 2000 ppm in air, 34L steel cyl CH4 10% LEL in air, dispensing valve, gas bag, case & tubing	295.00
81-SP220L-DLV	Cal kit, SP-220, 34L steel cyl Propane 25% LEL in air, demand flow regulator, case & tubing	455.00
81-SP220L-LV	Cal kit, SP-220, 34L steel cyl Propane 25% LEL in air, dispensing valve, gas bag, case & tubing	240.00
81-SP220M-DLV	Cal kit, SP-220, 34L steel cyl CH4 10% LEL in air, demand flow regulator, case & tubing	455.00
81-SP220M-LV	Calibration Kit,SP-220,10 %LEL methane (5000 ppm),34L,gas bag,case, & tubing	245.00
81-SV3	SV-3 solenoid valve unit, with connection brackets, for 6 cylinder expansion to the SDM-6000	1,080.00
81-T0103-LV	Cal Kit,T2A/(AL)T3A/AL6900/AL6940XP,100 ppm CO in Air 34L steel cyl,reg,case,tubing,cup	460.00
81-T0105N-LV	Cal Kit,Air Alert/AirLink Alert,100 ppm CO 34AL cyl,reg,case,tubing,cup	340.00
81-T0225-LV	Cal Kit,T2A/(AL)T3A/AL6900/AL6940XP,100% vol N2 34L steel cyl,reg,case,tubing,cup	460.00
81-T0310-LV	Cal kit, T2A/T3A, 34AL cyl H2S 25 ppm in N2, regulator, case, XP cal cup, and tubing	535.00
81-T032RK	Cal Kit,T2A/(AL)T3A/AL6900/AL6940XP,500 ppm H2S in N2 58AL cyl,zero air 103L cyl,reg,case,tubing, cup	645.00
81-T0410N-LV	Cal kit, Air Alert/AirLink Alert, 34AL cyl HCl 5 ppm in N2, regulator, case, cal cup for non-XP sensors, and tubing	565.00
81-T0430-LV	Cal kit, T2A/T3A, 34AL cyl HCl 5 ppm in N2, regulator, case, XP cal cup, and tubing	685.00
81-T0699	Cal Kit,T2A/(AL)T3A/AL6900/AL6940XP,100 ppm NH3 34AL cyl,reg,case,tubing,cup	695.00
81-T0699N-LV	Cal kit, Air Alert/AirLink Alert, 34AL cyl NH3 100 ppm in N2, regulator, case, cal cup for non-XP sensors, and tubing	605.00
81-T0725-LV	Cal kit, T2A/T3A, 34AL cyl NO 25 ppm in N2, regulator, case, XP cal cup, and tubing	665.00
81-T0820-LV	Cal Kit,T2A/(AL)T3A/AL6900/AL6940XP,10 ppm NO2 in N2 34AL,reg,case,tubing,cup	665.00
81-T1020N	Cal kit, Air Alert/AirLink Alert, 58AL cyl SO2 5 ppm in N2, regulator, case, cal cup for non-XP sensors, and tubing	385.00
81-T1203-LV	Cal kit, T2A/T3A, 34AL cyl Cl2 2 ppm in N2, regulator, case, XP cal cup, and tubing	605.00
81-T1220-LV	Cal kit, T2A/T3A, 34AL cyl Cl2 5 ppm in N2, regulator, case, XP cal cup, and tubing	625.00
81-T1220N-LV	Cal kit, Air Alert/AirLink Alert, 34AL cyl Cl2 5 ppm in N2, regulator, case, cal cup for non-XP sensors, and tubing	505.00
81-T1410-LV	Cal kit, T2A/T3A for HF, 34AL cyl Cl2 2 ppm in N2, regulator, case, XP cal cup, and tubing	625.00
81-T1410N-LV	Cal kit, Air Alert/AirLink Alert for HF, 34AL cyl Cl2 2 ppm in N2, regulator, case, cal cup for non-XP sensors, and tubing	505.00
81-T1505-LV	Cal kit, T2A/T3A, 34AL cyl PH3 0.5 ppm in N2, regulator, case, XP cal cup, and tubing	665.00
81-T1610-LV	Cal Kit,T2A/(AL)T3A/AL6900/AL6940XP,5 ppm ETO/air 34L steel cyl,reg,case,tubing,cup	675.00
81-T4010	Cal kit, T3A, 103L cyl Methane 50% LEL in air, regulator, case, XP cal cup, and tubing	495.00
81-T4010-LV	Cal kit, T3A, 34L cyl Methane 50% LEL in air, regulator, case, XP cal cup, and tubing	460.00
81-T5310	Cal kit, T3A, 103L cyl Propane 50% LEL in air, regulator, case, XP cal cup, and tubing	495.00
81-T5310-LV	Cal kit, T3A, 34L cyl Propane 50% LEL in air, regulator, case, XP cal cup, and tubing	440.00
81-T6310-LV	Cal kit, T2A/T3A, 34L cyl isobutane in air, regulator, case, XP cal cup, and tubing	460.00
81-T9210	Cal kit, VOC Pro, 103L cyl Isobutylene 10 ppm in air, 103L cyl, Nitrogen 100%, regulator, case, XP cal cup, and tubing	645.00
81-T9210-LV	Cal kit, VOC Pro, 34L cyl Isobutylene 10 ppm in air, 34L cyl, Nitrogen 100%, regulator, case, XP cal cup, and tubing	515.00
81-T9210S	Cal Kit,VOC Pro, 0.5lpm reg,103 ltr cyls,10 ppm isobutylene/air, Zero air, sample bag	425.00

Numerical Index

Part#	Description	Suggested Retail
81-T9320	Cal kit, VOC Pro, 103L cyl Isobutylene 100 ppm in air, 103L cyl, Nitrogen 100%, regulator, case, XP cal cup, and tubing	645.00
81-T9320-LV	Cal kit, VOC Pro, 34L cyl Isobutylene 100 ppm in air, 34L cyl, Nitrogen 100%, regulator, case, XP cal cup, and tubing	515.00
81-T9510	Cal kit, VOC Pro, 58AL cyl Benzene 10 ppm in air, 103L cyl, Nitrogen 100%, regulator, case, XP cal cup, and tubing	645.00
81-T9510-LV	Cal kit, VOC Pro, 34AL cyl Benzene 10 ppm in air, 103L cyl, Nitrogen 100%, regulator, case, XP cal cup, and tubing	625.00
811-021-DLV	Cal kit, EAGLE 2, 17L cyl 10% vol isobutane/N2, dem flow reg, case & tubing	445.00
811-101-20DLV	Cal kit, EAGLE 2, 34L cyl 100% hydrogen, dem flow reg, case & tubing	470.00
811-101-P1	Cal kit, EAGLE 2, 103L cyl 10 ppm isobutylene in air, dem flow reg, case & tubing	495.00
811-101-P1-DLV	Cal kit, EAGLE 2, 34L cyl 10 ppm isobutylene in air, dem flow reg, case & tubing	550.00
811-101-P2	Cal kit, EAGLE 2, 103L cyl 100 ppm isobutylene in air, dem flow reg, case & tubing	495.00
811-101-P2-DLV	Cal kit, EAGLE 2, 34L cyl 100 ppm isobutylene in air, dem flow reg, case & tubing	455.00
811-102-10DLV	Cal Kit,EAG2,4% hydrogen in N2,34L,dem flow reg	455.00
811-102-20-DLV	Cal Kit,EAG2,100% hydrogen in N2,34L,dem flow reg	455.00
812-045-DLV	Cal kit, EAGLE 2, 34L cyl 50% vol CH4, dem flow reg, case & tubing	470.00
812-101-P1	Cal kit, EAGLE 2, 103L cyl 50% LEL CH4/Air, 103L cyl 10 ppm isobutylene in air, dem flow reg, case & tubing	640.00
812-101-P1-DLV	Cal kit, EAGLE 2, 34L cyl 50% LEL CH4/Air, 34L cyl 10 ppm isobutylene/air, dem flow reg, case & tubing ...	465.00
812-101-P1-HDLV	Cal kit, EAGLE 2, 34L cyl 10% LEL Hex/Air, 34L cyl 10 ppm isobutylene/air, dem flow reg, case & tubing ...	645.00
812-101-P2	Cal kit, EAGLE 2, 103L cyl 50% LEL CH4/Air, 103L cyl 100 ppm isobutylene in air, dem flow reg, case & tubing	645.00
812-101-P2-DLV	Cal kit, EAGLE 2, 34L cyl 50% LEL CH4/Air, 34L cyl 10 ppm isobutylene in air, dem flow reg, case & tubing	510.00
812-101-P25	Cal kit, EAGLE 2, 58AL cyl 100 ppm isobutylene/50% LEL CH4/25 ppm H2S/50 ppm CO/12% O2/N2, dem flow reg, case & tubing	685.00
812-101-P25-DLV	Cal kit, EAGLE 2, 34AL cyl 100 ppm isobutylene/50% LEL CH4/25 ppm H2S/50 ppm CO/12% O2/N2, dem flow reg, case & tubing	590.00
812-102-20-DLV	Cal kit, EAGLE 2, 34L cyl 100% H2, dem flow reg, case & tubing	455.00
812-102-20HDLV	Cal Kit,Eagle 2,50 %LEL H2/100 %vol H2,34 liter,demand flow regulator	460.00
812-103-10-DLV	Cal Kit,EAG2,H2/N2,34L,dem flow reg	375.00
812-112-H2	Cal Kit, EAGLE 2, 103L steel cyl H2 50% LEL in air, 103L steel cyl CH4 50% LEL in Air, demand flow regulator, case & tubing	645.00
813-002-DLV	Cal Kit,EAG2,LEL/O2/CO,34L,dem flow reg	455.00
813-022-DLV	Cal Kit,EAG2,LEL H2/O2/CH4,34L,dem flow reg	510.00
813-026-02-DLV	Cal kit, EAGLE 2, 34L cyl 5000 ppm CO/N2, 34L cyl CO/CH4/O2, dem flow reg, case & tubing	510.00
813-035-05-DLV	Cal kit,CH4/Oxy,34L,CO2/N2,34L,demand flow regulator	510.00
813-101-P1	Cal kit, EAGLE 2, 103L cyl 50 ppm CO/50% LEL CH4/12% O2/N2, 103L cyl 10 ppm isobutylene in air, dem flow reg, case & tubing	670.00
813-101-P1-DLV	Cal kit, EAGLE 2, 34L cyl 50 ppm CO/50% LEL CH4/12% O2/N2, 34L cyl 10 ppm isobutylene in air, dem flow reg, case & tubing	510.00
813-101-P2	Cal kit, EAGLE 2, 103L cyl 50 ppm CO/50% LEL CH4/12% O2/N2, 103L cyl 100 ppm isobutylene in air, dem flow reg, case & tubing	645.00
813-101-P2-DLV	Cal kit, EAGLE 2, 34L cyl 50 ppm CO/50% LEL CH4/12% O2/N2, 34L cyl 100 ppm isobutylene in air, dem flow reg, case & tubing	510.00
813-101-P2-HDLV	Cal kit, EAGLE 2, 34L cyl 50 ppm CO/50% LEL Hex/12% O2/N2, 34L cyl 100 ppm isobutylene in air, dem flow reg, case & tubing	510.00
813-104-10DLV	Cal Kit,EAG2,H2 4% vol,34L, CO/LEL/O2,34L,dem flow reg	510.00
813-104-20DLV	Cal Kit,EAG2,H2 100% vol,34L, CO/LEL/O2,34L,dem flow reg	510.00
813-104-20LV	Cal kit, EAGLE 2, 34L steel cyl H2 100% vol, 34L steel cyl H2 50% LEL in air, 34L steel cyl N2 100%, dispensing valve, gas bag, case & tubing	415.00
813-106-10-DLV	Cal kit, EAGLE 2, 34L 4% vol H2/N2, 34L CO/CH4/O2, dem flow reg, case & tubing	510.00
813-113-LV	Cal kit, EAGLE 2, 34L cyl 2.5% CO2/N2, 34AL cyl 25 ppm NH3/N2, 34AL cyl Cl2/N2, dispensing valve, reg, gas bag, case & tubing	1,015.00
813-114-25-DLV	Cal kit, EAGLE 2, 34L cyl 100% H2, 34L cyl 15% CO2/N2, dem flow reg, case & tubing	525.00
814-068-05-DLV	Cal Kit,EAG,LEL/O2/H2S/CO2,34L,dem flow reg	565.00
814-074-03-DLV	Cal kit, EAGLE 2, 34L cyl CO/CH4/O2, 34L cyl 2.5% CO2/N2, 34L cyl 50% vol CH4/N2, dem flow reg, case & tubing	565.00
814-074-05-DLV	Cal kit, EAGLE 2, 34L cyl CO/CH4/O2, 34L cyl 15% CO2/N2, 34L cyl 50% vol CH4/N2, dem flow reg, case & tubing	565.00

Numerical Index

Part#	Description	Suggested Retail
814-101-P1	Cal kit, EAGLE 2, 58AL cyl H2S/CO/CH4/O2, 103L cyl 10 ppm isobutylene in air, dem flow reg, case & tubing	685.00
814-101-P1-DLV	Cal kit, EAGLE 2, 34AL cyl H2S/CO/CH4/O2, 34AL cyl 10 ppm isobutylene in air, dem flow reg, case & tubing	710.00
814-101-P2	Cal kit, EAGLE 2, 58AL cyl H2S/CO/CH4/O2, 103L cyl 100 ppm isobutylene in air, dem flow reg, case & tubing	715.00
814-101-P2-DLV	Cal kit, EAGLE 2, 34AL cyl H2S/CO/CH4/O2, 34AL cyl 100 ppm isobutylene in air, dem flow reg, case & tubing	630.00
814-101-P25	Cal kit, EAGLE 2, 58AL cyl 100 ppm isobutylene/25 ppm H2S/50 ppm CO/50% LEL CH4/12% O2/N2, dem flow reg, case & tubing	685.00
814-101-P25-DLV	Cal kit, EAGLE 2, 34AL cyl 100 ppm isobutylene/25 ppm H2S/50 ppm CO/50% LEL CH4/12% O2/N2, dem flow reg, case & tubing	630.00
814-102-P2-DLV	Cal kit, EAGLE 2, 34L cyl CO/CH4/O2, 34L cyl 100 ppm isobutylene/air, dem flow reg, case & tubing	510.00
814-103-25-DLV	Cal kit, EAGLE 2, 34L cyl 50% LEL H2/N2, 34L cyl 100% H2, 34L cyl 15% vol CO2/N2, dem flow reg, case & tubing	580.00
814-114-P2-DLV	Cal kit, EAGLE 2, 103L cyl 50% LEL CH4/Air, 34AL cyl 100 ppm isobutylene in air, 34AL cyl 25 ppm NH3/N2, dem flow reg, case & tubing	1,570.00
814-114-P2-HDLV	Cal kit, EAGLE 2, 103L cyl 10% LEL Hex/air, 34AL cyl 100 ppm isobutylene/air, 34AL cyl 25 ppm NH3/N2, 34AL cyl 2 ppm Cl2/N2, dem flow reg, case & tubing	1,570.00
814-132-05P2-LV	Cal Kit,EAG2,CO/LEL/O2 34L,100 ppm isobutylene 34L,15% vol CO2 34L,demand flow regulator	625.00
815-001	Cal kit, EAGLE 2, 58AL cyl SO2/H2S/CO/CH4/O2, dem flow reg, case & tubing	680.00
815-001-DLV	Cal kit, EAGLE 2, 34AL cyl SO2/H2S/CO/CH4/O2, dem flow reg, case & tubing	600.00
815-101-P1	Cal kit, EAGLE 2, 58AL cyl H2S/CO/CH4/O2, 103L cyl 10 ppm isobutylene in air, dem flow reg, case & tubing	725.00
815-101-P1-DLV	Cal kit, EAGLE 2, 34AL cyl H2S/CO/CH4/O2, 34AL cyl 10 ppm isobutylene in air, dem flow reg, case & tubing	710.00
815-101-P1-LV	Cal kit, EAGLE 2, 34AL cyl H2S/CO/CH4/O2, 34AL cyl 10 ppm isobutylene in air, reg with gauge & knob, gas bag, case & tubing	485.00
815-101-P2	Cal kit, EAGLE 2, 58AL cyl H2S/CO/CH4/O2, 103L cyl 100 ppm isobutylene in air, dem flow reg, case & tubing	685.00
815-101-P2-DLV	Cal kit, EAGLE 2, 34AL cyl H2S/CO/CH4/O2, 34AL cyl 100 ppm isobutylene in air, dem flow reg, case & tubing	710.00
815-101-P2-HDLV	Cal kit, EAGLE 2, 34AL cyl H2S/CO/Hex/O2, 34AL cyl 100 ppm isobutylene in air, dem flow reg, case & tubing	710.00
815-101-P2-LV	Cal kit, EAGLE 2, 34AL cyl H2S/CO/CH4/O2, 34AL cyl 100 ppm isobutylene in air, reg with gauge & knob, gas bag, case & tubing	585.00
815-102-P1	Cal kit, EAGLE 2, 103L cyl LEL/O2/CO, 103L cyl 10 ppm isobutylene/air, 103L cyl 10 ppm HCN/N2, dem flow reg, case & tubing	950.00
815-102-P1-DLV	Cal kit, EAGLE 2, 34L cyl LEL/O2/CO, 34L cyl 10 ppm isobutylene/air, 34AL cyl 10 ppm HCN/N2, dem flow reg, case & tubing	465.00
815-102-P1-LV	Cal kit, EAGLE 2, 34L cyl LEL/O2/CO, 34L cyl 10 ppm isobutylene/air, 34AL cyl 10 ppm HCN/N2, reg, disp valve, gas bag, case & tubing	335.00
815-103-02P2DLV	Cal Kit,EAG2,CO/LEL/O2 5L,Isobutylene/Air 34L,CO2/N2 34L,Isobutylene/demand flow regulator	580.00
815-106-05-DLV	Cal kit, EAGLE 2, 34AL cyl H2S/CO/CH4/O2, 34L cyl 15% CO2/N2, dem flow reg, case & tubing	655.00
815-111-05H2DLV	Cal Kit,EAG2,H2/CO2/LEL/O2 34AL & 103L,demand flow regulator.....	920.00
816-017	Cal Kit,EAG2,H2S/CO/LEL/O 34L,5 ppm SO2 34 L,25 ppm NH3 34L,dem flow reg	1,010.00
816-101-P25-DLV	Cal Kit,EAG2,Isobutylene/H2S/CO/LEL/O2 34AL,SO2/N2 34AL,dem reg	770.00
816-102-P25-DLV	Cal kit, EAGLE 2, 34AL cyl 100 ppm isobutylene/H2S/CO/CH4/O2/N2, 34AL cyl 25 ppm NH3/N2, dem flow reg, case & tubing	940.00
816-106-02P1DLV	Cal Kit,EAG2,Isobutylene/H2S/CO/LEL/O2 34AL,CO2/N2 103L,dem reg	840.00
816-106-03P2DLV	Cal kit, EAGLE 2, 34AL cyl H2S/CO/CH4/O2, 34AL cyl 100 ppm isobutylene/N2, 103L, 2.5% CO2/N2, dem flow reg, case & tubing	920.00
816-106-05P2DLV	Cal kit, EAGLE 2, 34AL cyl H2S/CO/CH4/O2, 34AL cyl 100 ppm isobutylene/N2, 103L, 15% CO2/N2, dem flow reg, case & tubing	920.00
816-109-P2-DLV	Cal kit, EAGLE 2, 34AL cyl H2S/CO/CH4/O2, 34AL cyl 5 ppm SO2/N2, 34AL, 10 ppm NH3/N2, 34AL 100 ppm isobutylene/air, dem flow reg, two cases & tubing	1,160.00
816-111-30P2DLV	Cal kit, EAGLE 2, 58L 100% vol CH4, 34AL cyl 100 ppm isobutylene/Air, 34AL cyl H2S/CO/CH4/O2/N2, dem flow reg, case & tubing	860.00
816-115-02	Cal kit, EAGLE 2, 34AL cyl H2S/CO/CH4/O2, 103L cyl 50% CH4/N2, 103L, 5000 CO2/N2, dem flow reg, case & tubing	935.00
816-122-P2-DLV	Cal Kit,EAG2,H2S/CO/LEL/O2 34ALL,Isobutylene/Air 34AL,SO2/N2 34AL,dem reg	850.00

Numerical Index

Part#	Description	Suggested Retail
816-124-P2	Cal kit, EAGLE 2, 103L cyl CO/CH4/O2/N2, 34AL cyl 100 ppm isobutylene/Air, 34AL cyl 25 ppm NH3/N2, 34AL cyl PH3/N2, dem flow reg, case & tubing	1,415.00
82-0001RK	Tool for removing pins for watchband or clip	14.00
82-0002RK	Pocket screwdriver with detachable tips	8.00
82-0003RK	Removal Tool,Electrode Stack,for Ion Science PID Sensor	15.00
82-0006RK	Screwdriver, pot adjust, no logo	14.00
82-0101RK	Magnetic wand, for M2A-XL/T2A/T3A/VOC Pro/Air Alert/AirLink Transmitters	20.00
82-0104	Magnetic wand for AirLink 6940	50.00
82-0120-02	Magnets (2 each) adder hardware for T3A/VOC Pro type j-box	26.00
82-0120-03	Adder,four magnets and hardware,for Airlink 6490 type jbox	52.00
82-0300RK	PID lamp cleaning kit with removal tool for 10.0 & 10.6 eV lamps only	52.00
82-1001	Tripod stand for FP-31	94.00
82-1001-01	Tripod attachment for FP-31	40.00
82-5007RK	Data logging kit, downloading, EAGLE	165.00
82-5011RK-USB	Downloading kit with software & IrDA to USB cable	240.00
82-5012RK-01	USB cable only,no software,for 82-5100RK & 82-5101RK	210.00
82-5012RK-02	Software only,no cable,for 82-5100RK & 82-5101RK.....	10.00
82-5015RK	Data Logging Package,GX-2009	100.00
82-5016RK	User Setup Program Package,GX-2009	100.00
82-5100-10	Adder,Veriteq SP-4000-4CW 4-channel datalogger w/software & USB cable,for Beacon 410A	1,850.00
82-5100-11	Adder,one Veriteq SP-4000-4CW 4-channel datalogger w/software & USB cable,for Beacon 800.....	1,850.00
82-5100RK	Datalogger, 4-channel, 4-20 mA with software & USB cable	1,800.00
82-5102RK	Datalogger, 1 channel, 4-20 mA input, USB interface, with software & leads, Lascar EL-USB-4	250.00
82-5201-01	Email / text generator in 4X housing, contact closure type, 115 VAC with 12 VDC 1.5 amp power supply	650.00
82-5202	NEMA 4X housing for one or two Proteus (email generator, housing only, no modules included)	360.00
82-5202-01	E-mail / Text generator in NEMA 4X housing, with ability to accept 1 contact closure, 100 - 240 VAC input	560.00
82-5202-02	E-mail / Text generator in NEMA 4X housing, with ability to accept 2 contact closures, 100 - 240 VAC input	760.00
82-5202-11	E-mail / Text generator in NEMA 4X housing, with ability to accept 1 contact closure, 5 VDC input with AC adapter	640.00
82-5202-12 adapter	E-mail / Text generator in NEMA 4X housing, with ability to accept 2 contact closures, 5 VDC input with AC adapter	840.00
82-5220	ESTOP emergency shut off with relay contacts for solenoid valve control, 24 VDC power input	900.00
82-5221	ESTOP emergency shut off with relay contacts for solenoid valve control, 115 VAC power input	960.00
82-5222	ESTOP emergency shut off with air pressure control for solenoid valve, 24 VDC input	1,500.00
82-5223	ESTOP emergency shut off with air pressure control for solenoid valve, 115 VAC input	1,560.00
82-6050RK	USB Hub, 4 port 2.0 for SDM-03/SDM-2009/SDM-2012	30.00
82-6051RK	USB Hub, 7 port 2.0 for SDM-03/SDM-2009/SDM-2012	90.00
82-6105RK	USB flash drive, 1 GB, for calibration stations	25.00
82-6106	SD card,4 GB	25.00
82-6107	USB SD card reader with 2 GB SD card	30.00
82-6400	Portable printer for SDM-6000, 58 mm paper width, includes USB/serial/IR adapter,battery pack, USB cable, AC power adapter and cable	960.00
82-6400-01	Thermal printer paper roll, 58 mm width for SDM-6000	31.00
83-0006RK	Software,datalogging,GX-2001	20.00
83-0009RK	Software,Single Module Data Viewer,SM-2001U/SM-2003U/SM-2009U	25.00
83-0010RK	Data downloading software for SC-01	25.00
83-0016RK	Software,Single Module Data Viewer/PC Controlled,SDM-E2/SDM-2012/SDM-2009.....	25.00
83-8012RK	Software,datalogging,RX-515/RX-516/RX-517	25.00
84-PROD	Productivity level connected worker, self-monitoring, annual subscription	550.00
84-PROD-247	24/7 Monitored Productivity Level Connected Worker, annual subscription	750.00
84-PROD-R	Subscription Renewal for Production level	550.00
84-SCOMP	Safety compliance level connected worker, annual subscription	360.00
85-S-GOLD	Subscription, 1-8 sensors with 4-20 ma output, or 1-12 sensors with Modbus output, per year	1,475.00
85-S-GOLD-PLUS	Subscription, 1-32 sensors with 4-20 ma output, or 1-32 sensors with Modbus output, per year	2,770.00
85-S-PLATINUM	Subscription, 1-100 sensors with Modbus output, per year.....	4,615.00
85-VCA16	8-16 sensors, 4-20 mA output	2,000.00
85-VCA32	16-32 sensors, 4-20 mA output	7,200.00
85-VCA8	1-4 sensors, 4-20 mA output / 5-8 sensors, 4-20 mA output	1,830.00
85-VCM	1-12, 12-32, 32-64, 64-100 sensors, Modbus output (2 registry per sensor)	1,500.00
90-CALCERT	Calibration certificate per instrument	10.00

Numerical Index

Part#	Description	Suggested Retail
90-F-DAY	Field service daily charge	850.00
90-F-HOUR	Field service hourly labor charge	135.00
90-R-EST	Repair estimate fee, at \$85/hour	85.00
91-1000	Adding a super toxic sensor to EAGLE	1,200.00
91-1000-01	Adding a super toxic sensor to EAGLE if instrument has existing super toxic sensor	1,300.00
91-1001	Adding a 0 - 100% LEL (IR) CH4 sensor to EAGLE	1,300.00
91-1001-01	Adding a 0 - 100% LEL (IR) CH4 sensor to EAGLE if instrument has existing IR sensor	1,300.00
91-1002	Adding a 0 - 100% Vol CH4 sensor to EAGLE	1,300.00
91-1002-01	Adding a 0 - 100% Vol CH4 sensor to EAGLE if instrument has existing IR sensor	1,300.00
91-1003	Adding CO2 0 - 5,000 / 10,000 ppm to EAGLE	1,300.00
91-1003-01	Adding CO2 0 - 5,000 / 10,000 ppm to EAGLE if instrument has existing IR sensor	1,300.00
91-1004	Adding CO2 0 - 5% to EAGLE	1,300.00
91-1004-01	Adding CO2 0 - 5% to EAGLE if instrument has existing IR sensor	1,300.00
91-1005	Adding CO2 0 - 20% / 0 - 60% Vol to EAGLE	1,300.00
91-1005-01	Adding CO2 0 - 20% / 0 - 60% Vol to EAGLE if instrument has existing IR sensor	1,300.00
91-1006	Changing from one Super Toxic gas type to another	950.00
91-1007	Changing from 2 gas flow chamber to 4 gas flow chamber (sensors not included)	380.00
91-1025	Adding Low Range PID to EAGLE 2	1,950.00
91-1026	Adding High Range PID to EAGLE 2	1,650.00
91-1027	Adding 10,000ppm IR CO2 sensor to EAGLE 2	1,200.00
91-1028	Adding 5% IR CO2 sensor to EAGLE 2	1,200.00
91-1029	Adding 60% IR CO2 sensor to EAGLE 2	1,200.00
91-1030	Adding IR CH4 sensor to EAGLE 2	1,200.00
91-1031	Adding IR HC sensor to EAGLE 2	1,200.00
91-1032	Adding TC CH4 sensor to EAGLE 2	750.00
91-1033	Adding TC H2 sensor to EAGLE 2	750.00
91-1034	Adding ESM-01 sensor to EAGLE 2	700.00
91-1034-HCN	Upgrade,Eagle 2,adding ESM-01 HCN sensor	700.00
91-1034-NH3	Upgrade,Eagle 2,adding ESM-01 NH3 sensor	700.00
91-1034-PH3	Upgrade,Eagle 2,adding ESM-01 PH3 sensor	700.00
91-1034-SO2	Upgrade,Eagle 2,adding ESM-01 SO2 sensor	700.00
91-1035	Adding standard 4 gas block & sensors to EAGLE 2	1,200.00
91-C-ELVL1	Level 1 service for any EAGLE with 1 to 4 gas sensors including (LEL/O2/H2S/CO) or any single gas toxic / PID / TC / IR sensor	180.00
91-C-ELVL2	Level 2 service for any EAGLE with 2 super toxic / PID / TC / IR sensors only or 1 super toxic / PID / TC / IR sensor plus any 1 to 4 gas sensors including (LEL/O2/H2S/CO)	225.00
91-C-ELVL3	Level 3 service for any EAGLE with 2 or more super toxic / PID / TC / IR sensors plus any 1 to 4 gas sensors including (LEL/O2/H2S/CO)	270.00
91-C-LVL1	Level 1 service - inspect, service, and calibration of the following instruments: 04 Series, 03 Series, GasWatch 3, GasWatch 2, GP-01, OX-01, HS-01, CO-01, GP-204, NP-204, & SC-01	125.00
91-C-LVL2	Level 2 service - inspect, service, and calibration of the following instruments: GX-3R, GX-3R Pro, GX-2009, GX-Force, GX-2012, GX-6000 (4 gas, PID only, or toxic only), Gas Tracer, GX-2001, GX-2003, GX-94, GX-82A, GX-86A, SP-205ASC, GX-85N, NP-85, GP-226, RI-415, RX-415, GX-8000, RX-8000, & PS 2	165.00
91-C-LVL3	Level 3 service - inspect, service, and calibration of the following instruments: GX-6000 (4 gas + PID/toxic), RX-516, RX-517, RI-413, GD-K88Ai, GD-70D, GD-K77D, GD-K77D, SC-1, SC-8000, SP-220	210.00
91-C-LVL4	Level 4 service - inspect, service, and calibration of the following instruments: FP-30, FP-40, FP-31	290.00
91-C-LVL5	Level 4 service - inspect, service, and calibration of the following instruments: FP-300, FP-301, FP-330 ...	390.00
91-R-LABOR	Labor and diagnostic charge,repair	85.00
91-R-XFEE	Labor charge, expedite fee	85.00
91-R1-XFEE	Labor charge, 1 day expedite fee	150.00
91-R3-XFEE	Labor charge, 3 day expedite fee	85.00
DE-3113-13	Sensor, IR, Methane (CH4) 0 - 100% LEL / 0 - 100% volume auto range for RX-8000	1,300.00
DE-3123-4	Sensor, IR, Hydrocarbons (HC) 0 - 100% LEL / 0 - 100% volume auto range for RX-8000	1,300.00
DE-3123-5	Sensor, IR, Methane (CH4), 0 - 100% LEL / 0 - 100% volume / Carbon Dioxide (CO2) 0 - 20% volume for RX-8500	1,200.00
DE-3313-17	IR sensor with chamber,for SD-705RID (i-C4H10)	1,260.00
DE-3315-1	IR detector,CH4,1-100 %LEL/0-100 %volume, for SD-1RI	850.00
DE-3315-2	IR detector,HC,1-100 %LEL,for SD-1RI	850.00
DEM-3313-1	Sensor, IR, Carbon Dioxide (CO2), 0 - 5% volume range	750.00
DEM-3313-2	Sensor, IR, HC, 0 - 100% LEL / 0 - 30% volume auto range	750.00
DEM-3313-3	Sensor, IR, Methane (CH4), 0 - 100% LEL & 0 - 100% volume autoranging	750.00

Numerical Index

Part#	Description	Suggested Retail
DEM-3313-3A	Sensor, IR, Methane (CH4), 0 - 100% volume autoranging	750.00
DEM-3313-4	Sensor, IR, Carbon Dioxide (CO2), 0 - 10,000 ppm range	750.00
DEM-3313-5	Sensor, IR, Carbon Dioxide (CO2), 0 - 60% volume range	750.00
DES-3311-1	Sensor, IR, Carbon Dioxide (CO2) 0 - 10% for GX-6000	400.00
DES-3311-1-01	Sensor, IR, Carbon Dioxide (CO2) 0 - 10% with scrubber for GX-6000	450.00
DES-3311-2	Sensor, IR, Hydrocarbons (HC) 0 - 100% LEL / 0 - 30% volume auto range for GX-6000	400.00
DES-3311-3	Sensor, IR, Methane (CH4) 0 - 100% LEL / 0 - 100% volume auto range for GX-6000	400.00
DES-3311-4	Sensor, IR, Carbon Dioxide (CO2) 0 - 10,000 ppm for GX-6000	400.00
DES-3311-4-01	Sensor, IR, Carbon Dioxide (CO2) 0 - 10,000 ppm with scrubber for GX-6000	450.00
DES-3311-5	Sensor, IR, Carbon Dioxide (CO2) 0 - 2,000/5,000/10,000 ppm ranges with scrubber for RI-600	650.00
DES-3311-6	Sensor, IR, Carbon Dioxide (CO2) 0 - 2% / 5% ranges with scrubber for RI-600	650.00
EC-5002	Module,indicator/alarm, toxic gases, 2-wire 4-20 mA, RM-5000 Series (specify gas & range)	695.00
EC-5002-CO	Module,indicator/alarm,0-150 ppm CO,2-wire 4-20 mA,RM-5000 Series	695.00
EC-5002-H2S	Module,indicator/alarm,0-100 ppm H2S,2-wire 4-20 mA,RM-5000 Series	695.00
EC-5002-NH3	Module,indicator/alarm, 0-75.0 ppm NH3, 2-wire 4-20 mA, RM-5000 Series	695.00
EL-7776	Filament set only, CH4, for GP-204 with RKK Style sensors	65.00
ES-031M-CO	Sensor, Carbon Monoxide (CO), 0 - 1,000 ppm for RX-8500 / RX-515	225.00
ES-037I-H2S	Sensor, Hydrogen Sulfide (H2S), 0 - 100 ppm for GX-8000	280.00
ES-037R-H2S	Sensor, Hydrogen Sulfide (H2S), low range 0 - 100 ppm, ES-037R for RX-516/RX-517	150.00
ES-037RM-H2S	Sensor, Hydrogen Sulfide (H2S), high range 0 - 1,000 ppm, ES-037R, for RX-517	225.00
ES-1531-CO	Sensor, Carbon Monoxide (CO) 0 - 300 ppm, plug-in type, CT-7 style, cCSAus version	195.00
ES-1537-H2S	Sensor, Hydrogen Sulfide (H2S) 0 - 100 ppm, plug-in type, CT-7 style, cCSAus version	195.00
ES-1821	Sensor, Carbon Monoxide (CO) 0-500 ppm for GX-2009/GX-2012/GX-6000/CO-03/GasWatch 2/Gas Tracer	140.00
ES-1826	Sensor, Nitrogen Dioxide (NO2) 0-20 ppm for GX-2009 MSHA	160.00
ES-1827I	Sensor, Hydrogen Sulfide (H2S) 0-100 ppm for GX-2009/GX-2012/GX-6000/HS-03/GasWatch 2	140.00
ES-23-CO	Sensor, Carbon Monoxide (CO), large, 0 - 150 ppm range	465.00
ES-237-H2S	Sensor, Hydrogen Sulfide (H2S), 0 - 30 ppm range	465.00
ES-238-SO2	Sensor, Sulfur Dioxide (SO2), new style, 0 - 10 ppm (or 0 - 6 ppm) range	465.00
ES-23A-NO	Sensor, Nitric Oxide (NO) 0 - 100 ppm range	465.00
ES-23AH-B2H6	Sensor, Diborane (B2H6) 0 - 30 ppm range	465.00
ES-23AH-D-CL2	Sensor, Chlorine Dioxide (ClO2), 0-3 ppm range, GD-K8	465.00
ES-23AH-H2S	Sensor, Hydrogen Sulfide (H2S), 0 - 1.00 ppm range	465.00
ES-23AH-NO2	Sensor, Nitrogen Dioxide (NO2) 0 - 15 ppm range	465.00
ES-23AH-PH3	Sensor, Phosphine (PH3) 0 - 1.00 ppm range (no H2 response)	465.00
ES-23AH-SiH4	Sensor, Silane (SiH4) 0 - 15 ppm range, old style (no H2 response)	465.00
ES-23AHS-ASH3	Sensor, Arsine (AsH3) 0 - 0.20 ppm range or 0 - 1.00 ppm range	465.00
ES-23AYA-B2H6	Sensor,Diborane,0-0.30 ppm,GD-K8	465.00
ES-23DH-GEH4	Sensor,GEH4,0-0.8 PPM,GD-K8	465.00
ES-23DH-H2O2	Sensor, Hydrogen Peroxide (H2O2), 0-3 PPM, GD-K8	465.00
ES-23DH-HCN	Sensor, Hydrogen Cyanide (HCN) 0 - 30 ppm range	465.00
ES-23DH-PH3	Sensor, Phosphine (PH3) 0 - 1.00 ppm, GD-K8 (with H2 response)	465.00
ES-23DH-Si2H6	Sensor,Disilane,0-15PPM, GD-K8	465.00
ES-23DH-SiH4	Sensor, Silane (SiH4) 0 - 15 ppm range, new style (with H2 response)	465.00
ES-23E-HBR	Sensor, Hydrogen Bromide (HBr) 0 - 9.00 ppm range	465.00
ES-23E-HCL	Sensor, Hydrogen Chloride (HCl), 0 - 15 ppm range, (no Cl2 response)	465.00
ES-23E-HI	Sensor, Hydrogen Iodide (HI), 0-5 ppm	465.00
ES-23E-N2H4	Sensor, Hydrazine (N2H4), 0 - 5 ppm range	465.00
ES-23E-SO2	Sensor, Sulfur Dioxide (SO2) 0 - 30 ppm range (or 0 - 15 ppm range)	465.00
ES-23R-A-NH3	Sensor,Ammonia,0-150 PPM,GD-K8	465.00
ES-23R-NH3	Sensor, Ammonia (NH3), (new style) 0 - 75 ppm range for GD-K8, (0 - 200 ppm for Eagle)	465.00
ES-23RL-NH3	Sensor,Ammonia,0-75 PPM,GD-K8,low humidity	465.00
ES-23RV-BTBAS	Sensor, BTBAS, 0 - 15 ppm	465.00
ES-23RV-DEA	Sensor,diethylamine,0-15 PPM	465.00
ES-23RV-DMA	Sensor,dimethylamine,0-15 PPM	465.00
ES-23RV-TEMAH	Sensor,TEMAH,0-15 PPM	465.00
ES-23RVM-DEA	Sensor,diethylamine,0-15 PPM,low humidity type	465.00
ES-23RVM-DMA	Sensor,dimethylamine,0-15 PPM,low humidity type	465.00
ES-23RVM-TEMAH	Sensor,ES-23RVM-EMA for TEMAH,0-15 PPM,low humidity type	465.00
ES-23SD-H2SE	Sensor, Hydrogen Selenide (H2Se) 0 - 0.20 ppm range	465.00
ES-831-CO	Sensor, Carbon Monoxide (CO) 0-75 ppm for SD-703EC / SD-705EC	495.00
ES-837RP	Sensor, Hydrogen Sulfide (H2S) 0-30 ppm for SD-703EC	500.00

Numerical Index

Part#	Description	Suggested Retail
ES-87RW-H2S	Sensor, Hydrogen Sulfide (H2S), 0 - 100 ppm range, EAGLE 2 standard, EAGLE marine versions	195.00
ES-937X-H2S	Sensor, 0 - 30 ppm H2S	465.00
ES-K233-ACET	Sensor, acetic acid (CH3COOH), 0-30 ppm, GD-K8	465.00
ES-K233-BR2	Sensor, Bromine (Br2) 0 - 1.00 ppm range	465.00
ES-K233-CL2	Sensor, Chlorine (Cl2) 0 - 3.00 ppm range (Family acid gas sensor)	465.00
ES-K233-F2	Sensor, Fluorine (F2) 0 - 3.00 ppm range	465.00
ES-K233-HCL	Sensor, Hydrogen Chloride (HCl) 0 - 15 ppm range (with CL2 response)	465.00
ES-K233-HF	Sensor, Hydrogen Fluoride (HF) 0 - 9.00 ppm range	465.00
ES-K233-HNO3	Sensor, Nitric Acid (HNO3), 0 - 20 ppm	465.00
ES-K233-HNO3-C	Sensor, HNO3, 0-20 PPM, GD-K8, made with Cl2 sensor	465.00
ES-K233-I2	Sensor, Iodine (I2), 0 - 1 ppm	465.00
ES-K233CS-CLF3C	Sensor, CLF3, 0-0.6 ppm, GD-K8/K7D2, C type	465.00
ES-K233L-F2	Sensor, Fluorine, 0-3 PPM, low humidity type, GD-K8	465.00
ES-K233L-HF	Sensor, HF, 0-9 PPM, GD-K8, low humidity	465.00
ES-K237-H2S	Sensor, H2S, 0-30 ppm	465.00
ES-K239B-CL2	Sensor, Chlorine (Cl2), 0 - 3.00 ppm, H2S resistant	465.00
ES-K239C-O3	Sensor, Ozone (O3) 0-1 ppm, new style, replaces ES-K239-O3	465.00
ES-K239CL-O3	Sensor, Ozone, 0-1 PPM, new style, low humidity	465.00
ESM-011-CO	Sensor, Carbon Monoxide (CO), 0-75 ppm, ESM-01 plug-in diffusion type	195.00
ESM-017-H2S	Sensor, Hydrogen Sulfide (H2S), 0 - 30 ppm, ESM-01 plug-in diffusion type	195.00
ESM-01DH-ASH3	Sensor, Arsine (AsH3), 0 - 1.50 ppm, ESM-01 plug-in type	195.00
ESM-01DH-D-HCN	Sensor, Hydrogen Cyanide (HCN), 0 - 15 ppm, ESM-01 plug-in type	195.00
ESM-01DH-D-SO2	Sensor, Sulfur Dioxide (SO2), 0 - 6 ppm, ESM-01 plug-in type	195.00
ESM-01DH-F-SO2	Sensor, Sulfur Dioxide (SO2), 0 - 6 ppm, ESM-01 plug-in type	195.00
ESM-01DH-PH3	Sensor, Phosphine (PH3), 0 - 1.0 ppm, ESM-01 plug-in type	195.00
ESM-01DHL-HCN	Sensor, Hydrogen Cyanide (HCN), 0 - 15 ppm, ESM-01 plug-in type, for low humidity use	225.00
ESM-01R-D-NH3	Sensor, Ammonia (NH3), 0 - 75 ppm, ESM-01 plug-in type, for diffusion instruments	195.00
ESM-01R-NH3	Sensor, Ammonia (NH3), 0 - 75 ppm, ESM-01 plug-in type	195.00
ESM-23-CO	Sensor, Carbon Monoxide (CO), 0-150 ppm, for GD-K88Ai, GD-K71D, GD-K77D, and SC-8000	480.00
ESM-238-SO2	Sensor, Sulfur Dioxide (SO2), 0-6 ppm, for GD-K71D, GD-K77D, and SC-8000	480.00
ESM-23A-NO	Sensor, Nitric Oxide (NO), 0-100 ppm, for GD-K88Ai, GD-K71D, GD-K77D, and SC-8000	480.00
ESM-23AH-ASH3	Sensor, Arsine (AsH3), 0-1.0 ppm, for GD-K88Ai, GD-K71D, GD-K77D, and SC-8000	480.00
ESM-23AH-H2S-01	Sensor, Hydrogen Sulfide (H2S), 0-1 ppm, for GD-K88Ai, GD-K71D or GD-K77D	480.00
ESM-23AH-NO2	Sensor, Nitrogen Dioxide (NO2), 0-15 ppm, for GD-K88Ai, GD-K71D, GD-K77D, and SC-8000	480.00
ESM-23AH-NO2/NF	Sensor, Nitrogen Dioxide (NO2), 0-30 ppm, (for Nitrogen Trifluoride NF3, GD-K77DG-NF3)	480.00
ESM-23AH-PH3	Sensor, Phosphine (PH3), 0-1 ppm, for GD-K88Ai, GD-K71D, GD-K77D, and SC-8000	480.00
ESM-23AH-SiH4	Sensor, Silane (SiH4), 0-15 ppm, low H2 response, for GD-K88Ai, GD-K71D, GD-K77D, and SC-8000	480.00
ESM-23AHS-ASH3	Sensor, Arsine (AsH3), 0-0.2 ppm, for GD-K88Ai, GD-K71D, GD-K77D, and SC-8000	480.00
ESM-23AHS-N-ASH	Sensor, ASH3, 0-0.2 PPM, for GD-K77D/SC-8000, low H2 interference	480.00
ESM-23AYA-B2H6	Sensor, diborane, 0-0.3 ppm, for GD-K77D (with ABP sensor cap)	480.00
ESM-23DH-GEH4	Sensor, Germane (GeH4), 0-0.8 ppm, for GD-K88Ai, GD-K71D, GD-K77D, and SC-8000	480.00
ESM-23DH-H2O2	Sensor, Hydrogen Peroxide (H2O2), 0-3 ppm, for GD-K88Ai, GD-K71D, GD-K77D, and SC-8000	480.00
ESM-23DH-H2O2-1	Sensor, Hydrogen Peroxide (H2O2), 0-0.500 ppm, for GD-K88Ai, GD-K71D, GD-K77D, and SC-8000	480.00
ESM-23DH-HCN	Sensor, Hydrogen Cyanide (HCN), 0-15 ppm, for GD-K88Ai, GD-K71D, GD-K77D, and SC-8000	480.00
ESM-23DH-MS	Sensor, Methyl Silane (CH3SiH3), 0-20 ppm, for GD-K88Ai, GD-K71D, GD-K77D, and SC-8000	480.00
ESM-23DH-PH3	Sensor, PH3, 0-1 PPM, for GD-K77D	480.00
ESM-23DH-Si2H6	Sensor, Disilane (Si2H6), 0-15 ppm, for GD-K88Ai, GD-K71D, GD-K77D, and SC-8000	480.00
ESM-23DH-SiH4	Sensor, Silane (SiH4), 0-15 ppm, for GD-K88Ai, GD-K71D, GD-K77D, and SC-8000, with H2 response	480.00
ESM-23E-HBR	Sensor, Hydrogen Bromide (HBr), 0-9 ppm, for GD-K88Ai, GD-K71D or GD-K77D	480.00
ESM-23E-HCL	Sensor, Hydrogen Chloride (HCl), 0-15 ppm, (with H2 response) for GD-K88Ai, GD-K71D, GD-K77D, and SC-8000	480.00
ESM-23E-HCL-05	Sensor, HCL, 0-5 PPM, GD-K77D	480.00
ESM-23E-SO2	Sensor, Sulfur Dioxide (SO2), 0-30 ppm, for GD-K88Ai, GD-K71D, GD-K77D, and SC-8000	480.00
ESM-23R-NH3	Sensor, Ammonia (NH3), 0-75 ppm, for GD-K88Ai, GD-K71D, GD-K77D, and SC-8000	480.00
ESM-23RH-NH3	Sensor, Ammonia (NH3), 0-75 ppm, for GD-K88Ai, GD-K71D, GD-K77D, and SC-8000, high humidity use	480.00
ESM-23RV-BTBAS	Sensor, BTBAS, 0-15 PPM, GD-K77D	480.00
ESM-23RV-TEMAH	Sensor, TEMAH, 0-15 PPM, GD-K77D	480.00
ESM-23SD-H2SE	Sensor, Hydrogen Selenide (H2Se), 0-0.20 ppm, for GD-K8A	480.00
ESM-K01-CL2	Sensor, Chlorine (Cl2), 0 - 3 ppm, ESM-01 plug-in type	195.00
ESM-K01-D-CL2	Sensor, Chlorine (Cl2), 0 - 3 ppm, ESM-01 plug-in diffusion type	195.00
ESM-K233-ACET	Sensor, acetic acid (CH3COOH), 0-30 ppm, for GD-K77D	480.00

Numerical Index

Part#	Description	Suggested Retail
ESM-K233-BR2	Sensor,Br ₂ ,0-1 PPM,for GD-K77D	480.00
ESM-K233-CL2	Sensor, Chlorine (Cl ₂), 0-3 ppm, for GD-K88Ai, GD-K71D, GD-K77D, and SC-8000	480.00
ESM-K233-F2	Sensor, Fluorine (F ₂), 0-3 ppm, for GD-K88Ai, GD-K71D, GD-K77D, and SC-8000	480.00
ESM-K233-HCL	Sensor, Hydrogen Chloride (HCl), 0-15 ppm, for GD-K88Ai, GD-K71D, GD-K77D, and SC-8000	480.00
ESM-K233-HF	Sensor, Hydrogen Fluoride (HF), 0-9 ppm, for GD-K88Ai, GD-K71D, GD-K77D, and SC-8000	480.00
ESM-K233-HNO3	Sensor,HNO ₃ ,0-20.0 PPM,for GD-K77D	480.00
ESM-K233-I2	Sensor,Iodine (I ₂),0-1.00 PPM,for GD-K77D	480.00
ESM-K233CS-CLFC	Sensor, Chlorine Trifluoride (ClF ₃), 0-0.6 ppm, for GD-K88Ai, GD-K71D, GD-K77D, and SC-8000 (no acid gas sensitivity)	480.00
ESM-K235L-HCL-6	Sensor,HCL,0-6.00 PPM,for GD-K77D.....	480.00
ESM-K236-CLF3	Sensor,ClF ₃ ,0-0.300 PPM,for GD-K77D	480.00
ESM-K239C-O3	Sensor, Ozone (O ₃), 0-1.0 ppm, for GD-K88Ai, GD-K71D, GD-K77D, and SC-8000	480.00
ESM-K239C-O3-06	Sensor,Ozone,0-0.6 PPM,for GD-K77D (ESM-K239C-S-03)	480.00
ESM-K239CL-O3	Sensor,Ozone,0-1 PPM,for GD-K77D,low humidity	480.00
ESR-A13D-HCN	Sensor, Hydrogen Cyanide (HCN) 0-30 ppm for GX-3R Pro / SC-04	240.00
ESR-A13D-NO2	Sensor, Nitrogen Dioxide (NO ₂) 0-20 ppm for GX-3R Pro / SC-04	240.00
ESR-A13D-PH3	Sensor, Phosphine (PH ₃) 0-20.00 ppm for GX-3R Pro / SC-04	240.00
ESR-A13D-SO2	Sensor, Sulfur Dioxide (SO ₂) 0-100 ppm for GX-3R Pro / SC-04	240.00
ESR-A13I-H2S	Sensor, Hydrogen Sulfide (H ₂ S) 0-200 ppm for GX-3R / GX-3R Pro / GX-Force / GasWatch 3 / 04 Series ...	150.00
ESR-A13P-CO	Sensor, Carbon Monoxide (CO) 0-2000 ppm for GX-3R / GX-3R Pro / GX-Force / GasWatch 3 / 04 Series ...	150.00
ESR-A1CP-CO-H	Sensor, Carbon Monoxide (CO) 0-2000 ppm with H ₂ compensation for GX-3R / GX-3R Pro / GX-Force / GasWatch 3 / 04 Series	240.00
ESR-A1DP-COHS	Sensor, CO/H ₂ S combination, CO 0-2000 ppm, H ₂ S 0-200 ppm for GX-3R / GX-3R Pro / GX-Force / GasWatch 3 / 04 Series	240.00
ESR-B134-NH3	Sensor, Ammonia (NH ₃) 0-400 ppm for GX-3R Pro / SC-04	240.00
ESR-B136-CL2	Sensor, Chlorine (Cl ₂) 0-20 ppm for SC-04	240.00
ESR-B137-CL2	Sensor,CL ₂ ,ESR-A13D,for GX-3R Pro	240.00
ESR-X13P-OXY	Sensor, Oxygen (O ₂) 0-25% vol for GX-3R / GX-3R Pro / GX-Force	150.00
ESR-X13P2-OXY	Sensor,oxygen,EC,GasWatch 3	150.00
ESR-X1DP-CX	Sensor Combo, EC, Carbon Monoxide (CO) 0-300 ppm/Oxygen (O ₂) 0-25% vol. for GasWatch 3 and 04 Series	240.00
ESS-03DH-HCN	Sensor, Hydrogen Cyanide (HCN) 0 - 15 ppm for GX-6000	260.00
ESS-03DH-NO2	Sensor, Nitrogen Dioxide (NO ₂), 0 - 20 ppm for GX-6000.....	260.00
ESS-03DH-PH3	Sensor, Phosphine (PH ₃) 0 - 20 ppm for GX-6000.....	260.00
ESS-03DH-SO2	Sensor, Sulfur Dioxide (SO ₂) 0 - 100 ppm for GX-6000	260.00
ESS-A33E-MMH	Sensor, MMH (N ₂ H ₄) 0 - 10.00 ppm for GX-6000	480.00
ESS-B332-NH3	Sensor, Ammonia (NH ₃), 0-400 ppm for GX-6000.....	260.00
ESS-B335-CL2	Sensor, Chlorine (Cl ₂), 0-10 ppm for GX-6000	390.00
ESU-23-CO-150	Sensor, Carbon Monoxide (CO), 0-150 ppm, sensor/amp unit for GD-70D	495.00
ESU-231-CO-150	Sensor,CO(carbon monoxide),0-150 ppm,for GD-70D	495.00
ESU-231-CO-300	Sensor,CO(carbon monoxide),0-300 ppm,for GD-70D	495.00
ESU-231-CO-75	Sensor,CO(Carbon Monoxide),0- 75 ppm,for GD-70D	495.00
ESU-237IF-COS	Sensor, Carbonyl Sulfide (COS), 0-15.0 ppm for TP-70DGII	495.00
ESU-237IF-H2S	Sensor, Hydrogen Sulfide (H ₂ S), 0-1.0 ppm, sensor/amp unit for GD-70D	495.00
ESU-237IF-H2S30	Sensor, Hydrogen Sulfide (H ₂ S), 0-30 ppm, sensor/amp unit for GD-70D	495.00
ESU-238-COS	Sensor,COS (carbonyl sulfide),0-90.0 PPM,for GD-70D	495.00
ESU-238-SO2	Sensor, Sulfur Dioxide (SO ₂), 0-6.0 ppm, sensor/amp unit for GD-70D	495.00
ESU-23A-NO	Sensor, Nitric Oxide (NO), 0-100 ppm, sensor/amp unit for GD-70D	495.00
ESU-23AH-D-NF3	Sensor, Nitrogen Trifluoride (NF ₃), 0-30 ppm, sensor/amp unit for GD-70D	495.00
ESU-23AH-NO2-15	Sensor, Nitrogen Dioxide (NO ₂), 0-15 ppm, sensor/amp unit for GD-70D	495.00
ESU-23AH-PH3	Sensor, Phosphine (PH ₃), 0-1.0 ppm, sensor/amp unit for GD-70D (no H ₂ response)	495.00
ESU-23AH-SiH4	Sensor, Silane (SiH ₄), 0-15 ppm, sensor/amp unit for GD-70D (no H ₂ response)	495.00
ESU-23AR-NO2-09	Sensor, Nitrogen Dioxide (NO ₂), 0-9 ppm, sensor/amp unit for GD-70D	495.00
ESU-23AR-NO2-15	Sensor, Nitrogen Dioxide (NO ₂), 0-15 ppm, sensor/amp unit for GD-70D	495.00
ESU-23AY-B2H6	Sensor, Diborane (B ₂ H ₆), 0-0.30 ppm, sensor/amp unit for GD-70D	495.00
ESU-23DH-GEH4	Sensor, Germane (GeH ₄), 0-0.80 ppm, sensor/amp unit for GD-70D	495.00
ESU-23DH-H2O2	Sensor,H ₂ O ₂ , (hydrogen peroxide),0-3.00 PPM,for GD-70D	495.00
ESU-23DH-H2O2-1	Sensor,H ₂ O ₂ , (hydrogen peroxide),0-400 ppb,for GD-70D	495.00
ESU-23DH-HCN	Sensor, Hydrogen Cyanide (HCN), 0-15 ppm, sensor/amp unit for GD-70D	495.00
ESU-23DH-MS	Sensor,CH ₃ SiH ₃ (methyl silane),0-20.0 PPM,for GD-70D	495.00
ESU-23DH-PH3	Sensor, Phosphine (PH ₃), 0-1.0 ppm, sensor/amp unit for GD-70D (with H ₂ response).....	495.00

Numerical Index

Part#	Description	Suggested Retail
ESU-23DH-SI2H6	Sensor, Disilane (Si2H6), 0-15 ppm, sensor/amp unit for GD-70D (with H2 response)	495.00
ESU-23DH-SIH4	Sensor, Silane (SiH4), 0-15 ppm, sensor/amp unit for GD-70D (with H2 response)	495.00
ESU-23DH-TSA	Sensor, Trisilylamine (Si3H9N), 0-15.0 ppm for GD-70D	495.00
ESU-23DHF-H2	Sensor,H2 (hydrogen),0-2000 ppm,for GD-70D	495.00
ESU-23E-HBR-06	Sensor, Hydrogen Bromide (HBr), 0-6.00 ppm, sensor/amp unit for GD-70D	495.00
ESU-23E-HBR-09	Sensor, Hydrogen Bromide (HBr), 0-9.00 ppm, sensor/amp unit for GD-70D	495.00
ESU-23E-HBR-G-9	Sensor,HBR (hydrogen bromide),0-9.00 PPM,for GD-70D,with HCl conversion factor	495.00
ESU-23E-HCL-06	Sensor, Hydrogen Chloride (HCl), 0-6.00 ppm, sensor/amp unit for GD-70D	495.00
ESU-23E-HCL-15	Sensor, Hydrogen Chloride (HCl), 0-15 ppm, sensor/amp unit for GD-70D (standard range)	495.00
ESU-23E-N2H4	Sensor, Hydrazine (N2H4), 0-5.00 ppm, sensor/amp unit for GD-70D	495.00
ESU-23R-NH3	Sensor, Ammonia (NH3), 0-75 ppm, sensor/amp unit for GD-70D	495.00
ESU-23RVM-BTBAS	Sensor, BTBAS (C8H22NSi),0-15.00 PPM,for GD-70D	495.00
ESU-23RVM-DEA	Sensor, Diethylamine (C2H5)2NH, 0-15.00 ppm, sensor/amp unit for GD-70D	495.00
ESU-23RVM-DMA	Sensor, Dimethylamine (CH3)2NH, 0-15.00 ppm, sensor/amp unit for GD-70D	495.00
ESU-23RVM-MMTA	Sensor, Methylamine (CH3NH2), 0-15 ppm, sensor/amp unit for GD-70D	495.00
ESU-23RVM-TMA	Sensor, Trimethylamine ((CH3)3N), 0-15 ppm, sensor/amp unit for GD-70D	495.00
ESU-23SD-H2SE	Sensor, Hydrogen Selenide (H2Se), 0-0.20 ppm, sensor/amp unit for GD-70D	495.00
ESU-C23F-ASH3	Sensor, Arsine (AsH3), 0-0.20 ppm, sensor/amp unit for GD-70D	495.00
ESU-C23F-S-ASH3	Sensor, Arsine (AsH3), 0-50 ppb, sensor/amp unit for GD-70D	900.00
ESU-K233-ACET	Sensor,acetic acid (CH3COOH),0-30 ppm,for GD-70D	495.00
ESU-K233-BR2	Sensor, Bromine (Br2), 0-1.0 ppm, sensor/amp unit for GD-70D	495.00
ESU-K233-HF-03	Sensor,HF (hydrogen fluoride),0.4-3.00 PPM,for GD-70D (ESU-K233-S-EX)	495.00
ESU-K233-HF-09	Sensor, Hydrogen Fluoride (HF), 0-9.0 ppm, sensor/amp unit for GD-70D	495.00
ESU-K233-HNO3	Sensor, Nitric Acid (HNO3), 0-20.0 ppm, sensor/amp unit for GD-70D	495.00
ESU-K233-I2	Sensor,I2 (iodine),0-1.00 PPM,for GD-70D	495.00
ESU-K233CS-CLFA	Sensor, Chlorine Trifluoride (ClF3), 0-0.60 ppm, sensor/amp unit for GD-70D	495.00
ESU-K233CS-CLFC	Sensor,ClF3 (chlorine trifluoride),0-0.60 PPM,for GD-70D,C type	495.00
ESU-K233M-HCOOH	Sensor, Formic Acid (HCOOH), 0-15.0 ppm for GD-70D	495.00
ESU-K235-CL2-15	Sensor,Cl2 (chlorine),0-1.50 PPM,for GD-70D	495.00
ESU-K235-CL2-3	Sensor, Chlorine (Cl2), 0-3.0 ppm, sensor/amp unit for GD-70D	495.00
ESU-K235-CL2100	Sensor,Cl2 (chlorine),0-10.0 PPM,for GD-70D	495.00
ESU-K235-F2-3	Sensor, Fluorine (F2), 0-3.0 ppm, sensor/amp unit for GD-70D	495.00
ESU-K235-HCL-06	Sensor,HCl (hydrogen chloride),0-6.0 PPM,for GD-70D	495.00
ESU-K235L-C4F6	Sensor, Hexafluorobutadiene (C4F6), 0-5.0 ppm for TP-70DII	495.00
ESU-K235L-C5F8	Sensor, Octafluorocyclopentene (C5F8), 0-5 ppm sensor/amp unit for GD-70D	495.00
ESU-K235L-CL2-3	Sensor, Chlorine (Cl2), 0-3.00 PPM, sensor/amp unit for GD-70D, for low-humidity applications	495.00
ESU-K235L-HCL-6	Sensor,HCl (hydrogen chloride),0-6.0 PPM,for GD-70D,for low humidity use	495.00
ESU-K236L-CLF3	Sensor,ClF3 (chlorine trifluoride),0-0.300 ppm,for GD-70D	495.00
ESU-K239C-O3	Sensor,O3 (ozone),0-1.00 PPM,for GD-70D	495.00
ESU-K239C-S-O3	Sensor, Ozone (O3), 0-0.60 ppm, sensor/amp unit for GD-70D	495.00
ESU-K253-COF2	Sensor, Cobalt Difluorine (COF2), 0-6.00 ppm for GD-70D	495.00
ESU-X23-OXY	Smart transmitter, GD-70D for Oxygen (O2), 0-25% with EC sensor	595.00
FP-300	Model FP-300 paper tape machine	5,300.00
FP-300-H2S	FP-300 paper tape maching,0-100 ppb H2S,115 VAC	5,300.00
FP-300-NH3	FP-300 paper tape maching,0-4.00 ppm NH3,115 VAC	5,300.00
FP-300A-ASH3	Model FP-300 paper tape machine for Arsine AsH3, 0 - 150 ppb	5,600.00
FP-300A-BF3	Model FP-300 paper tape machine for Boron Trifluoride, 0 - 3 ppm	5,600.00
FP-300A-CLF3	Model FP-300A paper tape machine for 0-500 ppb ClF3	5,600.00
FP-300A-HBR	Model FP-300 paper tape machine for Hydrogen Bromine HBr, 0 - 2 ppm	5,600.00
FP-300AGZS	Model FP-300 paper tape machine for C4F6/C5F8, 0 - 5.00 ppm	8,600.00
FP-301	Model FP-301 paper tape machine for high sensitivity	5,600.00
FP-301-ASH3	Model FP-300 paper tape machine for Arsine AsH3, 0 - 15 ppb	5,600.00
FP-330	Model FP-330 paper tape machine for formaldehyde	5,700.00
GD-1DOX	GD-1DOX oxygen detector head,explosion proof,with sample (suction) draw adapter	1,200.00
GD-1DOX-01	GD-1DOX oxygen detector head,explosion proof,w/sample (suction) draw adapter & GD-F44 adapter plate	1,280.00
GD-1OX	GD-1OX oxygen detector head,explosioin proof,diffusion	1,100.00
GD-70D-ACET	Smart transmitter,GD-70D,CH3COOH (acetic acid),0-030 ppm	1,595.00
GD-70D-B2H6	Smart transmitter,GD-70D,B2H6 (diborane),0-0.30 ppm	1,595.00
GD-70D-BR2	Smart transmitter,GD-70D,Br2, (bromine),0-1.00 ppm	1,595.00
GD-70D-BRKT	Mounting bracket (back plate), complete w/connector,GD-70D,4-20 and EA types	125.00

Numerical Index

Part#	Description	Suggested Retail
GD-70D-BTBAS	Smart transmitter,GD-70D,BTBAS,0-15.0 ppm	1,595.00
GD-70D-CH3NH2	Smart transmitter,GD-70D,CH3NH2 ,(methylamine),0-15 ppm	1,595.00
GD-70D-CH4-20K	Smart transmitter,GD-70D,CH4(methane) 0-2% vol	1,595.00
GD-70D-CL2	Smart transmitter,GD-70D,Cl2 (chlorine),0-3.00 ppm	1,595.00
GD-70D-CL2-01	Smart transmitter,GD-70D,Cl2 (chlorine),0-1.50 ppm	1,595.00
GD-70D-CL2-02	Smart transmitter,GD-70D,Cl2 (chlorine),0-10.0 ppm	1,595.00
GD-70D-CLF3-A	Smart transmitter,GD-70D,ClF3, (chlorine trifluoride),0-0.60 ppm, w/A type sensor	1,595.00
GD-70D-CLF3-C	Smart transmitter,GD-70D,ClF3, (chlorine trifluoride),0-0.60 ppm, w/C type sensor	1,595.00
GD-70D-CO-01	Smart transmitter,GD-70D,CO (carbon monoxide),0-150 ppm w/ESU-23 sensor	1,595.00
GD-70D-CO-02	Smart transmitter,GD-70D,CO (carbon monoxide),0-75 ppm w/ESU-23 sensor	1,595.00
GD-70D-CO-03	Smart transmitter,GD-70D,CO (carbon monoxide),0-300 ppm w/ESU-23 sensor	1,595.00
GD-70D-CO-11	Smart transmitter,GD-70D,CO (carbon monoxide),0-150 ppm w/ESU-231 sensor	1,595.00
GD-70D-CO-12	Smart transmitter,GD-70D,CO (carbon monoxide),0-75 ppm w/ESU-231 sensor	1,595.00
GD-70D-CO-13	Smart transmitter,GD-70D,CO (carbon monoxide),0-300 ppm w/ESU-231 sensor	1,595.00
GD-70D-COF2	Smart transmitter,GD-70D,COF2 (cobalt difluorine),0-6.00 ppm	1,595.00
GD-70D-DEA	Smart transmitter,GD-70D,(C2H5)2NH ,(diethylamine),0-15 ppm	1,595.00
GD-70D-DMA	Smart transmitter,GD-70D,(CH3)2NH ,(dimethylamine),0-15 ppm	1,595.00
GD-70D-F2	Smart transmitter,GD-70D,F2 (fluorine),0-3.00 ppm.....	1,595.00
GD-70D-GEH4	Smart transmitter,GD-70D,GeH4(germane),0-0.80 ppm	1,595.00
GD-70D-H2-20K	Smart transmitter,GD-70D,H2(hydrogen),0-2.00 %volume	1,595.00
GD-70D-H2O2	Smart transmitter, GD-70D for Hydrogen Peroxide, 0-3 ppm	1,595.00
GD-70D-H2O2-01	Smart transmitter,GD-70D,H2O2(hydrogen peroxide),0-400 ppb	1,595.00
GD-70D-H2S-01	Smart transmitter,GD-70D,H2S (hydrogen sulfide),0-1.00 ppm	1,595.00
GD-70D-H2S-30	Smart transmitter,GD-70D,H2S (hydrogen sulfide),0-30 ppm	1,595.00
GD-70D-H2SE	Smart transmitter,GD-70D,H2Se(hydrogen selenide),0-0.20 ppm	1,595.00
GD-70D-HBR-06	Smart transmitter,GD-70D,HBr(hydrogen bromide),0-6 ppm	1,595.00
GD-70D-HBR-09	Smart transmitter,GD-70D,HBr(hydrogen bromide),0-9 ppm	1,595.00
GD-70D-HCL-06E	Smart transmitter,GD-70D,HCl(hydrogen chloride),0-6 ppm,w/ESU-23E	1,595.00
GD-70D-HCL-06K5	Smart transmitter,GD-70D,HCl(hydrogen chloride),0-6 ppm,w/ESU-235	1,595.00
GD-70D-HCL-15E	Smart transmitter,GD-70D,HCl(hydrogen chloride),0-15 ppm,w/ESU-23E	1,595.00
GD-70D-HCN	Smart transmitter,GD-70D,HCN(hydrogen cyanide),0-15 ppm	1,595.00
GD-70D-HCOOH	Smart transmitter,GD-70D,HCOOH (formic acid),0-15.0 ppm	1,595.00
GD-70D-HEX-2K	Smart transmitter,GD-70D,hexane,0-2000 ppm	1,595.00
GD-70D-HF-09	Smart transmitter,GD-70D,HF,(hydrogen fluoride),0-9.00 ppm	1,595.00
GD-70D-HNO3	Smart transmitter,GD-70D,HNO3(nitric acid),0-20.0 ppm	1,595.00
GD-70D-I2	Smart transmitter,GD-70D,I2 (iodine),0-1 ppm	1,595.00
GD-70D-IRU-N2O	Smart transmitter,GD-70D,N2O (nitrous oxide),0-500 ppm	3,800.00
GD-70D-LEL-C3H8	Smart transmitter,GD-70D,C3H8(propane),0-100 %LEL	1,495.00
GD-70D-LEL-CH4	Smart transmitter, GD-70D for Methane (CH4), 0-100% LEL	1,495.00
GD-70D-LEL-DME	Smart transmitter,GD-70D,C4H10O2(DME/dimethyl ether),0-100 %LEL.....	1,495.00
GD-70D-LEL-H2	Smart transmitter, GD-70D for Hydrogen (H2), 0-100% LEL.....	1,495.00
GD-70D-LEL-IPA	Smart transmitter,GD-70D,C3H8O (isopropyl alcohol),0-100 %LEL	1,495.00
GD-70D-LEL-ISOB	Smart transmitter,GD-70D,C4H10(isobutane),0-100 %LEL	1,495.00
GD-70D-MC2H2-2K	Smart transmitter,GD-70D,MOS sensor,C2H2(acytlyene),0-2,000 ppm	1,395.00
GD-70D-MC2H4-2K	Smart transmitter,GD-70D,MOS sensor,C2H4(ethylene),0-2,000 ppm.....	1,595.00
GD-70D-MC2H4-M5	Smart transmitter,GD-70D,MOS sensor,C2H4(ethylene),calibrated to methanol,0-500 ppm.....	1,595.00
GD-70D-MC2H5OH	Smart transmitter,GD-70D,MOS sensor,C2H5OH(ethanol) 0-2000 ppm	1,595.00
GD-70D-MC3H6-5K	Smart transmitter,GD-70D,MOS sensor,C3H6(propylene) specific,0-5,000 ppm.....	1,595.00
GD-70D-MC3H8-2K	Smart transmitter,GD-70D,MOS sensor,C3H8(propane),0-2,000 ppm	1,595.00
GD-70D-MC3H8-5K	Smart transmitter,GD-70D,MOS sensor,C3H8(propane),0-5,000 ppm	1,595.00
GD-70D-MCH3CN	Smart transmitter,GD-70D,MOS sensor,CH3CN (acetonitrile) 0-2,000 ppm	1,595.00
GD-70D-MCH3OH-1	Smart transmitter,GD-70D,MOS sensor,CH3OH(methanol) 0-1,000 ppm	1,595.00
GD-70D-MCH3OH-2	Smart transmitter,GD-70D,MOS sensor,CH3OH(methanol) 0-2,000 ppm	1,595.00
GD-70D-MCH4-20K	Smart transmitter,GD-70D,MOS sensor,CH4(methane) 0-2% vol.	1,595.00
GD-70D-MCH4-2K	Smart transmitter,GD-70D,MOS sensor,CH4(methane) 0-2,000 ppm	1,595.00
GD-70D-MCH4-5K	Smart transmitter,GD-70D,MOS sensor,CH4(methane) 0-5,000 ppm	1,595.00
GD-70D-MCOS	Smart transmitter,GD-70D,MOS sensor,COD(carbonyl sulfide) 0-2,000 ppm	1,595.00
GD-70D-MDCE	Smart transmitter,GD-70D,MOS sensor,dichloroethene (C2H2Cl2) 0-600 ppm.	1,595.00
GD-70D-MDCM	Smart transmitter,GD-70D,MOS sensor,DCM(dichloromethane) 0-2000 ppm.	1,595.00
GD-70D-MH2-1K	Smart transmitter,GD-70D,MOS sensor,H2(hydrogen),0-1,000 ppm	1,595.00
GD-70D-MH2-20K	Smart transmitter,GD-70D,MOS sensor,H2(hydrogen),0-2.00%	1,595.00

Numerical Index

Part#	Description	Suggested Retail
GD-70D-MH2-500	Smart transmitter,GD-70D,MOS sensor,H2(hydrogen),0-500 ppm	1,595.00
GD-70D-MH2-51K	Smart transmitter,GD-70D,MOS sensor,H2(hydrogen) specific,0-1,000 ppm	1,595.00
GD-70D-MH2-52K	Smart transmitter,GD-70D,MOS sensor,H2(hydrogen) specific,0-2,000 ppm	1,595.00
GD-70D-MH2-54K	Smart transmitter,GD-70D,MOS sensor,H2(hydrogen) specific,0-4,000 ppm	1,595.00
GD-70D-MH2-S500	Smart transmitter,GD-70D,MOS sensor,H2(hydrogen),specific,0-500 ppm	1,595.00
GD-70D-MIPA-2K	Smart transmitter,GD-70D,MOS sensor,IPA(isopropyl alcohol),0-2000 ppm	1,595.00
GD-70D-MR134A	Smart transmitter,GD-70D,MOS sensor,R134a(tetrafluoromethane) 0-5,000 ppm	1,595.00
GD-70D-MR152A	Smart transmitter,GD-70D,MOS sensor,R152(difluoroethane) 0-5,000 ppm	1,595.00
GD-70D-MR32	Smart transmitter,GD-70D,MOS sensor,R32(difluoromethane) 0-2,000 ppm	1,595.00
GD-70D-MR32-5K	Smart transmitter,GD-70D,MOS sensor,R32(difluoromethane) 0-5,000 ppm	1,595.00
GD-70D-MR41	Smart transmitter,GD-70D,MOS sensor,R41 (fluoromethane) 0-2,000 ppm	1,595.00
GD-70D-MS	Smart transmitter,GD-70D,CH3SiH3(methyl silane),0-20.0 ppm	1,595.00
GD-70D-MXX-XXX	Smart transmitter,GD-70D with MOS (specify gas & range)	1,595.00
GD-70D-N2H4	Smart transmitter,GD-70D,N2H4(hydrazine),0-5.00 ppm	1,595.00
GD-70D-NH3	Smart transmitter,GD-70D,NH3(ammonia),0-75 ppm	1,595.00
GD-70D-NO	Smart transmitter,GD-70D,NO(nitric oxide),0-100 ppm	1,595.00
GD-70D-NO2-09	Smart transmitter,GD-70D,NO2(nitrogen dioxide),0-9.0 ppm	1,595.00
GD-70D-NO2-15	Smart transmitter,GD-70D,NO2(nitrogen dioxide),0-15 ppm	1,595.00
GD-70D-NO2-15R	Smart transmitter,GD-70D,NO2(nitrogen dioxide),0-15 ppm,w/ESU-23AR-NO2-15 sensor	1,595.00
GD-70D-NS	Smart transmitter, GD-70D toxic gas monitor with no sensor	1,100.00
GD-70D-O3	Smart transmitter,GD-70D,O3(ozone),0-0.6 ppm	1,595.00
GD-70D-O3-10	Smart transmitter,GD-70D,O3(ozone),0-1.00 ppm	1,595.00
GD-70D-OXY-05	GD-70D-OXY,Smart transmitter,GD-70D,O2(oxygen),0-5.00%	1,595.00
GD-70D-OXY-EC	Smart transmitter, GD-70D for Oxygen (O2), 0-25%	1,695.00
GD-70D-PH3-AH	Smart transmitter,GD-70D,PH3(phosphine),0-1.00 ppm,AH sensor.	1,595.00
GD-70D-PH3-DH	Smart transmitter,GD-70D,PH3(phosphine),0-1.00 ppm,DH sensor.	1,595.00
GD-70D-Si2H6	Smart transmitter,GD-70D,Si2H6(disilane),0-15 ppm	1,595.00
GD-70D-SiH4-AH	Smart transmitter,GD-70D,SiH4(silane),0-15 ppm, AH sensor	1,595.00
GD-70D-SiH4-DH	Smart transmitter,GD-70D,SiH4(silane),0-15 ppm, DH sensor	1,595.00
GD-70D-SO2	Smart transmitter, GD-70D for Sulfur Dioxide (SO2), 0-6.00 ppm	1,595.00
GD-70D-TMA	Smart transmitter,GD-70D,(CH3)3N(trimethylamine),0-15 ppm	1,595.00
GD-70D-TSA	Smart transmitter, GD-70D, Si3H9N (trisilylamine), 0-15 ppm	1,595.00
GD-70D4A-ASH3	GD-70DS-AsH3,0-0.20 PPM arsine,in NEMA 4X housing,115/220VAC.....	2,195.00
GD-70D4A-B2H6	GD-70D-B2H6,0-0.30 PPM diborane,in NEMA 4X housing,115/220VAC.	2,195.00
GD-70D4A-BR2	GD-70D-BR2,0-1.00 PPM bromine,in NEMA 4X housing,115/220VAC.....	2,195.00
GD-70D4A-CH3NH2	GD-70D-CH3NH2,0-15.0 PPM methylamine,in NEMA 4X housing,115/220VAC.....	2,195.00
GD-70D4A-CL2	GD-70D-Cl2,0-3.00 PPM chlorine,in NEMA 4X housing,115/220VAC.	2,195.00
GD-70D4A-CLF3-A	GD-70D-CIF3-A,0-0.60 PPM chlorine trifluoride,in NEMA 4X housing,115/220VAC.	2,195.00
GD-70D4A-CLF3-C	GD-70D-CIF3-C,0-0.60 PPM chlorine trifluoride,in NEMA 4X housing,115/220VAC.	2,195.00
GD-70D4A-CO-01	GD-70D-CO-01,0-150 PPM carbon monoxide,in NEMA 4X housing,115/220VAC.	2,195.00
GD-70D4A-CO-02	GD-70D-CO-02,0-75 PPM carbon monoxide,in NEMA 4X housing,115/220VAC.	2,195.00
GD-70D4A-CO-03	GD-70D-CO-03,0-300 PPM carbon monoxide,in NEMA 4X housing,115/220VAC.	2,195.00
GD-70D4A-CO-11	GD-70D-CO-11,0-150 PPM carbon monoxide,in NEMA 4X housing,115/220VAC.	2,195.00
GD-70D4A-CO-12	GD-70D-CO-12,0-75 PPM carbon monoxide,in NEMA 4X housing,115/220VAC.	2,195.00
GD-70D4A-CO-13	GD-70D-CO-13,0-300 PPM carbon monoxide,in NEMA 4X housing,115/220VAC.	2,195.00
GD-70D4A-DEA	GD-70D-DEA,0-15.0 PPM diethylamine,in NEMA 4X housing,115/220VAC.	2,195.00
GD-70D4A-DMA	GD-70D-DMA,0-15.0 PPM dimethylamine,in NEMA 4X housing,115/220VAC.	2,195.00
GD-70D4A-F2	GD-70D-F2,0-3.00 PPM fluorine,in NEMA 4X housing,115/220VAC.	2,195.00
GD-70D4A-GEH4	GD-70D-GEH4,0-0.80 PPM germane,in NEMA 4X housing,115/220VAC.....	2,195.00
GD-70D4A-H2S-30	GD-70D-H2S,0-30.0 PPM hydrogen sulfide,in NEMA 4X housing,115/220VAC.	2,195.00
GD-70D4A-H2SE	GD-70D-H2SE,0-0.20 PPM hydrogen selenide,in NEMA 4X housing,115/220VAC.	2,195.00
GD-70D4A-HBR-06	GD-70D-HBR-06,0-6.00 PPM hydrogen bromide,in NEMA 4X housing,115/220VAC.	2,195.00
GD-70D4A-HBR-09	GD-70D-HBR-09,0-9.00 PPM hydrogen bromide,in NEMA 4X housing,115/220VAC.	2,195.00
GD-70D4A-HCL-06	GD-70D-HCL-06,0-6.00 PPM hydrogen chloride,in NEMA 4X housing,115/220VAC.	2,195.00
GD-70D4A-HCL-15	GD-70D-HCL-15,0-15.0 PPM hydrogen chloride,in NEMA 4X housing,115/220VAC.	2,195.00
GD-70D4A-HF-03	GD-70D-HF-03,0-3.00 PPM hydrogen fluoride,in NEMA 4X housing,115/220VAC.	2,195.00
GD-70D4A-HF-09	GD-70D-HF-09,0-9.00 PPM hydrogen fluoride,in NEMA 4X housing,115/220VAC.	2,195.00
GD-70D4A-LCH4	Smart transmitter, GD-70D for Methane (CH4), 0-100% LEL, with 115/220 VAC in NEMA 4X housing ...	1,995.00
GD-70D4A-LH2	Smart transmitter, GD-70D for Hydrogen (H2), 0-100% LEL, with 115/220 VAC in NEMA 4X housing ...	1,995.00
GD-70D4A-LH220K	GD-70D-H2-20K ,0-2.00% Vol hydrogen in NEMA 4X housing,115/220 VAC.	1,995.00
GD-70D4A-LISOB	GD-70D-LEL-ISOB ,0-100% LEL isobutane in NEMA 4X housing,115/220 VAC.	1,995.00

Numerical Index

Part#	Description	Suggested Retail
GD-70D4A-MCH4-2	GD-70D-MCH4-2K ,0-2000 PPM methane, in NEMA 4X housing,115/220 VAC.	1,995.00
GD-70D4A-MCH4-5	GD-70D-MCH4-5K ,0-5000 PPM methane, in NEMA 4X housing,115/220 VAC.	1,995.00
GD-70D4A-MCH4-20	GD-70D-MCH4-20K ,0-2% vol methane, in NEMA 4X housing,115/220 VAC.	1,995.00
GD-70D4A-MCOS	GD-70D-MCOS ,0-2000 PPM carbonyl sulfide, in NEMA 4X housing,115/220 VAC.....	2,195.00
GD-70D4A-MDCE	GD-70D-MDCE ,0-600 PPM dichloroethene, in NEMA 4X housing,115/220 VAC.	2,195.00
GD-70D4A-MDCM	GD-70D-MDCM ,0-2000 PPM dichloromethane, in NEMA 4X housing,115/220 VAC.	2,195.00
GD-70D4A-MH2-1K	GD-70D-MH2-1K ,0-1000 PPM hydrogen in NEMA 4X housing,115/220 VAC.....	2,195.00
GD-70D4A-MH2-20	GD-70D-MH2-20K ,0-2.00% Vol hydrogen in NEMA 4X housing,115/220 VAC.	2,195.00
GD-70D4A-MH21KS	GD-70D-MH2-S1K ,0-1000 PPM hydrogen,specific, in NEMA 4X housing,115/220 VAC.....	2,195.00
GD-70D4A-MH22KS	GD-70D-MH2-S2K ,0-2000 PPM hydrogen,specific, in NEMA 4X housing,115/220 VAC.....	2,195.00
GD-70D4A-MH2500	GD-70D-MH2-500 ,0-500 PPM hydrogen in NEMA 4X housing,115/220 VAC.....	2,195.00
GD-70D4A-MH250S	GD-70D-MH2-S500 ,0-500 PPM hydrogen,specific, in NEMA 4X housing,115/220 VAC.....	2,195.00
GD-70D4A-MIPA	GD-70D-MIPA-2K ,0-2000 PPM isopropyl alcohol, in NEMA 4X housing,115/220 VAC.	2,195.00
GD-70D4A-MMA-1	GD-70D-MCH3OH-1,0-1000 PPM methanol,in NEMA 4X housing,115/220VAC.....	2,195.00
GD-70D4A-MMA-2	GD-70D-MCH3OH-2,0-2000 PPM methanol,in NEMA 4X housing,115/220VAC.....	2,195.00
GD-70D4A-MPRO2K	GD-70D-MC3H8-2K ,0-2000 PPM propane, in NEMA 4X housing,115/220 VAC.	2,195.00
GD-70D4A-MPRO5K	GD-70D-MC3H8-5K ,0-5000 PPM propane, in NEMA 4X housing,115/220 VAC.	2,195.00
GD-70D4A-MR32	GD-70D-MR32 ,0-2000 PPM R32, in NEMA 4X housing,115/220 VAC.	2,195.00
GD-70D4A-MR41	GD-70D-MR41 ,0-2000 PPM R41, in NEMA 4X housing,115/220 VAC.	2,195.00
GD-70D4A-NH3	GD-70D-NH3,0-75.0 PPM ammonia,in NEMA 4X housing,115/220VAC.	2,195.00
GD-70D4A-NO	GD-70D-NO,0-100 PPM nitric oxide,in NEMA 4X housing,115/220VAC.	2,195.00
GD-70D4A-NO2-09	GD-70D-NO2-09,0-9.00 PPM nitrogen dioxide,in NEMA 4X housing,115/220VAC.	2,195.00
GD-70D4A-NO2-15	GD-70D-NO2-15,0-15.0 PPM nitrogen dioxide,in NEMA 4X housing,115/220VAC.	2,195.00
GD-70D4A-O3	GD-70D-O3,0 - 0.60 ppm ozone,in NEMA 4X housing,115/220 VAC	2,195.00
GD-70D4A-OXY-EC	Smart transmitter, GD-70D for Oxygen (O2), 0-25% Vol., 110/220 VAC, with EC sensor in NEMA 4X housing	2,195.00
GD-70D4A-PH3-AH	GD-70D-PH3-AH,0-1.00 PPM phosphine,in NEMA 4X housing,115/220VAC.	2,195.00
GD-70D4A-PH3-DH	GD-70D-PH3-DH,0-1.00 PPM phosphine,in NEMA 4X housing,115/220VAC.	2,195.00
GD-70D4A-SI2H6	GD-70D-SI2H6,0-15.0 PPM disilane,in NEMA 4X housing,115/220VAC.	2,195.00
GD-70D4A-SIH4-A	GD-70D-SIH4-AH,0-15.00 PPM silane,in NEMA 4X housing,115/220VAC.	2,195.00
GD-70D4A-SIH4-D	GD-70D-SIH4-DH,0-15.00 PPM silane,in NEMA 4X housing,115/220VAC.	2,195.00
GD-70D4A-SO2	GD-70D-SO2,0-6.00 PPM sulphur dioxide,in NEMA 4X housing,115/220VAC.	2,195.00
GD-70D4A-TMA	GD-70D-TMA,0-15.0 PPM trimethylamine,in NEMA 4X housing,115/220VAC.	2,195.00
GD-70D4A-XXX	Smart transmitter, GD-70D toxic gas monitor with 110/220 VAC, in NEMA 4X housing (XXX denotes the gas)	2,195.00
GD-70D4H-CL2	GD-70D-CL2,0-3.00 ppm chlorine,in NEMA 4X housing,w/ horn/strobe,115/220VAC.	2,550.00
GD-70D4H-HCL15E	GD-70D-HCL-15E,0-15.0 ppm hydrogen chloride,in NEMA 4X housing,w/ horn/strobe,115/220VAC. ...	2,550.00
GD-70D4H-HCN	GD-70D-HCN,0-15.0 ppm hydrogen cyanide,in NEMA 4X housing,w/ horn/strobe,115/220VAC.....	2,550.00
GD-70D4H-HF-09	GD-70D-HF-09,0-9.00 PPM hydrogen fluoride,in NEMA 4X housing,w/ horn/strobe,115/220VAC.	2,550.00
GD-70D4H-LEL-H2	Smart transmitter, GD-70D for Hydrogen (H2), 0-100% LEL, 115/220 VAC in NEMA 4X housing, with horn and strobe	2,350.00
GD-70D4H-LISOB strobe	Smart transmitter, GD-70D for Isobutane (CH3), 0-100% LEL, 115/220 VAC in NEMA 4X housing, with horn and strobe	2,550.00
GD-70D4H-NH3	GD-70D-NH3,0-75.0 ppm ammonia,in NEMA 4X housing,w/ horn/strobe,115/220VAC.	2,550.00
GD-70D4H-O3	GD-70D-O3,0-0.60 PPM ozone,in NEMA 4X housing,w/ horn/strobe,115/220VAC.....	2,550.00
GD-70D4H-OXY-EC	Smart transmitter, GD-70D for Oxygen (O2), 0-25% Vol., 110/220 VAC, EC sensor, in NEMA 4X housing, with horn and strobe	2,550.00
GD-70D4H-XXX	Smart transmitter, GD-70D toxic gas monitor, 110/220 VAC, in NEMA 4X housing, with horn and strobe (XXX denotes the gas)	2,550.00
GD-70D4S-ASH3	GD-70DS-AsH3,0-0.20 PPM arsine,in NEMA 4X housing,W/strobe115/220VAC.	1,995.00
GD-70D4S-B2H6	GD-70D-B2H6,0-0.30 PPM diborane,in NEMA 4X housing,w/strobe,115/220VAC.	2,295.00
GD-70D4S-BR2	GD-70D-Br2,0-1.00 PPM bromine,in NEMA 4X housing,w/ strobe,115/220VAC.....	2,295.00
GD-70D4S-CH3NH2	GD-70D-CH3NH2,0-15.00 PPM methylamine,in NEMA 4X housing,w/ strobe,115/220VAC.	2,295.00
GD-70D4S-CL2	GD-70D-Cl2,0-3.00 PPM chlorine,in NEMA 4X housing,w strobe,115/220VAC.	2,295.00
GD-70D4S-CLF3-A	GD-70D-CIF3-A,0-0.60 PPM chlorine trifluoride,w/ strobe,in NEMA 4X housing,115/220VAC.	2,295.00
GD-70D4S-CLF3-C	GD-70D-CIF3-C,0- 0.60 PPM chlorine trifluoride,in NEMA 4X housing,w/ strobe,115/220VAC.	2,295.00
GD-70D4S-CO-01	GD-70D-CO-01,0-150 PPM carbon monoxide,in NEMA 4X housing,w/ strobe,115/220VAC.	2,295.00
GD-70D4S-CO-02	GD-70D-CO-02,0-75 PPM carbon monoxide,in NEMA 4X housing,w/ strobe,115/220VAC.	2,295.00
GD-70D4S-CO-03	GD-70D-CO-03,0-300 PPM carbon monoxide,in NEMA 4X housing,w/ strobe,115/220VAC.	2,295.00
GD-70D4S-CO-11	GD-70D-CO-11,0-150 PPM carbon monoxide,in NEMA 4X housing,w/ strobe,115/220VAC.	2,295.00
GD-70D4S-CO-12	GD-70D-CO-12,0-75 PPM carbon monoxide,in NEMA 4X housing,w/ strobe,115/220VAC.	2,295.00

Numerical Index

Part#	Description	Suggested Retail
GD-70D4S-CO-13	GD-70D-CO-13,0-300 PPM carbon monoxide,in NEMA 4X housing,w/ strobe,115/220VAC.	2,295.00
GD-70D4S-DEA	GD-70D-DEA,0-15.00 PPM diethylamine,in NEMA 4X housing,w/ strobe,115/220VAC.	2,295.00
GD-70D4S-DMA	GD-70D-DMA,0-15.00 PPM dimethylamine,in NEMA 4X housing,w/ strobe,115/220VAC.....	2,295.00
GD-70D4S-F2	GD-70D-F2,0-3.00 PPM fluorine,in NEMA 4X housing,w/ strobe,115/220VAC.	2,295.00
GD-70D4S-GEH4	GD-70D-GeH4,0-0.80 PPM germane,in NEMA 4X housing,w/ strobe,115/220VAC.	2,295.00
GD-70D4S-H2SE	GD-70D-H2Se,0-0.20 PPM hydrogen selenide,in NEMA 4X housing,w/ strobe,115/220VAC.....	2,295.00
GD-70D4S-HBR-06	GD-70D-HBr-06,0-6.00 PPM hydrogen bromide,in NEMA 4X housing,w/ strobe,115/220VAC.	2,295.00
GD-70D4S-HBR-09	GD-70D-HBR-09,0-9.00 PPM hydrogen bromide,in NEMA 4X housing,w/ strobe,115/220VAC.....	2,295.00
GD-70D4S-HCL-06	GD-70D-HCl-06,0-6.00 PPM hydrogen chloride,in NEMA 4X housing,w/ strobe,115/220VAC.	2,295.00
GD-70D4S-HCL-15	GD-70D-HCl-15,0-15.00 PPM hydrogen chloride,in NEMA 4X housing,w/ strobe,115/220VAC.....	2,295.00
GD-70D4S-HF-03	GD-70D-HF-03,0-3.00 PPM hydrogen fluoride,in NEMA 4X housing w/strobe,115/220VAC.	2,295.00
GD-70D4S-HF-09	GD-70D-HF,0-9.00 PPM hydrogen fluoride,in NEMA 4X housing,w/ strobe,115/220VAC.	2,295.00
GD-70D4S-LCH4	Smart transmitter, GD-70D for Methane (CH4), 0-100% LEL, 115/220 VAC in NEMA 4X housing with strobe	2,095.00
GD-70D4S-LH2	Smart transmitter, GD-70D for Hydrogen (H2), 0-100% LEL, 115/220 VAC in NEMA 4X housing with strobe	2,095.00
GD-70D4S-LH220K	GD-70D-H2-20K ,0-2.00% vol hydrogen in NEMA 4X housing w/strobe,115/220 VAC.	2,295.00
GD-70D4S-LISOB	GD-70D-LEL-ISOB ,0-100% LEL isobutane in NEMA 4X housing w/strobe,115/220 VAC.	2,295.00
GD-70D4S-MCH4-2	GD-70D-MCH4-2K ,0-2000 PPM methane,in NEMA 4X housing w/strobe,115/220 VAC.	2,295.00
GD-70D4S-MCH4-5	GD-70D-MCH4-5K ,0-5000 PPM methane,in NEMA 4X housing w/strobe,115/220 VAC.	2,295.00
GD-70D4S-MCH420	GD-70D-MCH4-20K ,0-2% vol methane,in NEMA 4X housing w/strobe,115/220 VAC.	2,295.00
GD-70D4S-MCOS	GD-70D-MCOS ,0-2000 PPM carbonyl sulfide,in NEMA 4X housing w/strobe,115/220 VAC.	2,295.00
GD-70D4S-MDCE	GD-70D-MDCE ,0-600 PPM dichloroethene,in NEMA 4X housing w/strobe,115/220 VAC.....	2,295.00
GD-70D4S-MDCM	GD-70D-MDCM ,0-2000 PPM dichloromethane,in NEMA 4X housing w/strobe,115/220 VAC.	2,295.00
GD-70D4S-MH2-1K	GD-70D-MH2-1K ,0-1000 PPM hydrogen in NEMA 4X housing w/strobe,115/220 VAC.....	2,295.00
GD-70D4S-MH2-20	GD-70D-MH2-20K ,0-2.00% Vol hydrogen in NEMA 4X housing w/strobe,115/220 VAC.	2,295.00
GD-70D4S-MH21KS	GD-70D-MH2-S1K ,0-1000 PPM hydrogen,specific,in NEMA 4X housing w/strobe,115/220 VAC.	2,295.00
GD-70D4S-MH22KS	GD-70D-MH2-S2K ,0-2000 PPM hydrogen,specific,in NEMA 4X housing w/strobe,115/220 VAC.	2,295.00
GD-70D4S-MH2500	GD-70D-MH2-500 ,0-500 PPM hydrogen in NEMA 4X housing w/strobe,115/220 VAC.....	2,295.00
GD-70D4S-MH250S	GD-70D-MH2-S500 ,0-500 PPM hydrogen,specific, in NEMA 4X housing w/strobe,115/220 VAC.....	2,295.00
GD-70D4S-MIPA	GD-70D-MIPA-2K ,0-2000 PPM isopropyl alcohol,in NEMA 4X housing w/strobe,115/220 VAC.	2,295.00
GD-70D4S-MMA-1	GD-70D-MCH3OH-1,0-1000 PPM methanol,in NEMA 4X housing,w/ strobe,115/220VAC.	2,295.00
GD-70D4S-MMA-2	GD-70D-MCH3OH-2,0-2000 PPM methanol,in NEMA 4X housing,w/ strobe,115/220VAC.	2,295.00
GD-70D4S-MPRO2K	GD-70D-MC3H8-2K ,0-2000 PPM propane,in NEMA 4X housing w/strobe,115/220 VAC.	2,295.00
GD-70D4S-MPRO5K	GD-70D-MC3H8-5K ,0-5000 PPM propane,in NEMA 4X housing w/strobe,115/220 VAC.	2,295.00
GD-70D4S-MR32	GD-70D-MR32 ,0-2000 PPM R32,in NEMA 4X housing w/strobe,115/220 VAC.	2,295.00
GD-70D4S-MR41	GD-70D-MR41 ,0-2000 PPM R41,in NEMA 4X housing w/strobe,115/220 VAC.	2,295.00
GD-70D4S-NH3	GD-70D-NH3,0-75 PPM ammonia,in NEMA 4X housing,w/ strobe,115/220VAC.	2,295.00
GD-70D4S-NO	GD-70D-NO,0-100 PPM nitric oxide,in NEMA 4X housing,w/ strobe,115/220VAC.	2,295.00
GD-70D4S-NO2-09	GD-70D-NO2-09,0-9.0 PPM nitrogen dioxide,in NEMA 4X housing,w/ strobe,115/220VAC.	2,295.00
GD-70D4S-NO2-15	GD-70D-NO2-15,0-15.0 PPM nitrogen dioxide,in NEMA 4X housing,w/ strobe,115/220VAC.	2,295.00
GD-70D4S-O3	GD-70D-O3,0 - 0.60 ppm ozone,in NEMA 4X housing w/amber strobe,115/220 VAC	2,295.00
GD-70D4S-OXY-EC	Smart transmitter, GD-70D for Oxygen (O2), 0-25% Vol., 110/220 VAC, EC sensor, in NEMA 4X housing with strobe	2,295.00
GD-70D4S-PH3-AH	GD-70D-PH3-AH,0-1.00 PPM phosphine,in NEMA 4X housing,w/ strobe,115/220VAC.	2,295.00
GD-70D4S-PH3-DH	GD-70D-PH3-DH,0-1.00 PPM phosphine,in NEMA 4X housing,w/ strobe,115/220VAC.	2,295.00
GD-70D4S-Si2H6	GD-70D-Si2H6,0-15.00 PPM disilane,in NEMA 4X housing,w/ strobe,115/220VAC.	2,295.00
GD-70D4S-SiH4-A	GD-70D-SiH4-AH,0-15.00 PPM silane,in NEMA 4X housing,w/ strobe,115/220VAC.	2,295.00
GD-70D4S-SiH4-D	GD-70D-SiH4-DH,0-15.00 PPM silane,in NEMA 4X housing,w/ strobe,115/220VAC.	2,295.00
GD-70D4S-SO2	GD-70D-SO2,0-6.00 PPM sulphur dioxide,in NEMA 4X housing,w/ strobe,115/220VAC.	2,295.00
GD-70D4S-TMA	GD-70D-TMA,0-15.00 PPM trimethylamine,in NEMA 4X housing,w/ strobe,115/220VAC.	2,295.00
GD-70D4S-XXX	Smart transmitter, GD-70D toxic gas monitor, 110/220 VAC, in NEMA 4X housing with strobe (XXX denotes the gas)	2,295.00
GD-70D4X-ASH3	Smart transmitter,GD-70DS,AsH3,0-15 ppm,in NEMA 4X housing	2,095.00
GD-70D4X-B2H6	Smart transmitter,GD-70D,B2H6,0-.30 ppm,in NEMA 4X housing	2,095.00
GD-70D4X-BR2	Smart transmitter,GD-70D,Br2,0-1.00 ppm,in NEMA 4X housing.....	2,095.00
GD-70D4X-CH3NH2	Smart transmitter,GD-70D,CH3NH2,0-15.0 ppm,in NEMA 4X housing	2,095.00
GD-70D4X-CL2	Smart transmitter,GD-70D,CL2,0-3.00 ppm,in NEMA 4X housing	2,095.00
GD-70D4X-CLF3-A	Smart transmitter,GD-70D,CLF3,0-0.60 ppm,in NEMA 4X housing	2,095.00
GD-70D4X-CLF3-C	Smart transmitter,GD-70D,CLF3,0-0.60 ppm,in NEMA 4X housing	2,095.00
GD-70D4X-CO-01	Smart transmitter,GD-70D,CO,0-150 ppm,in NEMA 4X housing	2,095.00

Numerical Index

Part#	Description	Suggested Retail
GD-70D4X-CO-02	Smart transmitter,GD-70D,CO,0-75 ppm,in NEMA 4X housing	2,095.00
GD-70D4X-CO-03	Smart transmitter,GD-70D,CO,0-300 ppm,in NEMA 4X housing	2,095.00
GD-70D4X-CO-11	Smart transmitter,GD-70D,CO,0-150 ppm,in NEMA 4X housing	2,095.00
GD-70D4X-CO-12	Smart transmitter,GD-70D,CO,0-75 ppm,in NEMA 4X housing	2,095.00
GD-70D4X-CO-13	Smart transmitter,GD-70D,CO,0-300 ppm,in NEMA 4X housing	2,095.00
GD-70D4X-DEA	Smart transmitter,GD-70D,(C2H5)2NH,0-15.0 ppm,in NEMA 4X housing	2,095.00
GD-70D4X-DMA	Smart transmitter,GD-70D,(CH3)2NH,0-15.0 ppm,in NEMA 4X housing	2,095.00
GD-70D4X-F2	Smart transmitter,GD-70D,F2,0-3.00 ppm,in NEMA 4X housing	2,095.00
GD-70D4X-GEH4	Smart transmitter,GD-70D,GeH4,0-0.80 ppm,in NEMA 4X housing	2,095.00
GD-70D4X-H2O2	Smart transmitter,GD-70D,H2O2,0-3.00 ppm,in NEMA 4X housing	2,095.00
GD-70D4X-H2O2-1	Smart transmitter,GD-70D,H2O2,0-500 ppb,in NEMA 4X housing	2,095.00
GD-70D4X-H2S-01	Smart transmitter,GD-70D,H2S,0-1.00 ppm,in NEMA 4X housing	2,095.00
GD-70D4X-H2S-30	Smart transmitter,GD-70D,H2S,0-30 ppm,in NEMA 4X housing	2,095.00
GD-70D4X-H2SE	Smart transmitter,GD-70D,CH2Se,0-6.0 ppm,in NEMA 4X housing	2,095.00
GD-70D4X-HBR-06	Smart transmitter,GD-70D,HBr,0-6.0 ppm,in NEMA 4X housing	2,095.00
GD-70D4X-HBR-09	Smart transmitter,GD-70D,HBr,0-9.0 ppm,in NEMA 4X housing	2,095.00
GD-70D4X-HCL-06	Smart transmitter,GD-70D,HCl,0-6.0 ppm,in NEMA 4X housing	2,095.00
GD-70D4X-HCL-15	Smart transmitter,GD-70D,HCl,0-15.0 ppm,in NEMA 4X housing	2,095.00
GD-70D4X-HCN	Smart transmitter,GD-70D,HCN,0-15.0 ppm,in NEMA 4X housing	2,095.00
GD-70D4X-HF-03	Smart transmitter,GD-70D,HF,0-3.00 ppm,in NEMA 4X housing	2,095.00
GD-70D4X-HF-09	Smart transmitter,GD-70D,HF,0-9.0 ppm,in NEMA 4X housing	2,095.00
GD-70D4X-HNO3	Smart transmitter,GD-70D,HNO3,0-20.0 ppm,in NEMA 4X housing	2,095.00
GD-70D4X-LC7H8	Smart transmitter,GD-70D,C7H8 (toluene),0-100% LEL,in NEMA 4X housing	2,095.00
GD-70D4X-LCH4	Smart transmitter, GD-70D for Methane (CH4), 0-100% LEL, with 4-20 mA output in NEMA 4X housing	1,895.00
GD-70D4X-LH2	Smart transmitter,GD-70D,H2,0-100 %LEL,in NEMA 4X housing	1,895.00
GD-70D4X-LH220K	Smart transmitter, GD-70D for Hydrogen (H2), 0-2.00% Vol., with 4-20 mA output in NEMA 4X housing	1,895.00
GD-70D4X-LISOB	Smart transmitter,GD-70D,isobutane,0-100% LEL,in NEMA 4X housing	2,095.00
GD-70D4X-MCH4-2	Smart transmitter,GD-70D,CH4,0-2000 ppm,in NEMA 4X housing	2,095.00
GD-70D4X-MCH4-5	Smart transmitter,GD-70D,CH4,0-5000 ppm,in NEMA 4X housing	2,095.00
GD-70D4X-MCH420	Smart transmitter,GD-70D,CH4,0-2% vol,in NEMA 4X housing	2,095.00
GD-70D4X-MCOS	Smart transmitter,GD-70D,carbonyl sulfide,0-2000 ppm,in NEMA 4X housing	2,095.00
GD-70D4X-MDCE	Smart transmitter,GD-70D,dichloroethene,0-600 ppm,in NEMA 4X housing	2,095.00
GD-70D4X-MDCM	Smart transmitter,GD-70D,dichloromethane,0-2000 ppm,in NEMA 4X housing	2,095.00
GD-70D4X-MH2-1K	Smart transmitter,GD-70D,H2,0-1000 PPM,in NEMA 4X housing	2,095.00
GD-70D4X-MH2-20	Smart transmitter,GD-70D,H2,0-2.00%,in NEMA 4X housing	2,095.00
GD-70D4X-MH21KS	Smart transmitter,GD-70D,H2,specific,0-1000 PPM,in NEMA 4X housing	2,095.00
GD-70D4X-MH22KS	Smart transmitter,GD-70D,H2,specific,0-2000 PPM,in NEMA 4X housing	2,095.00
GD-70D4X-MH2500	Smart transmitter,GD-70D,H2,0-500 PPM,in NEMA 4X housing	2,095.00
GD-70D4X-MH250S	Smart transmitter,GD-70D,H2,specific,0-500 PPM,in NEMA 4X housing	2,095.00
GD-70D4X-MIPA	Smart transmitter,GD-70D,IPA,0-2000 ppm,in NEMA 4X housing	2,095.00
GD-70D4X-MMA-1	Smart transmitter,GD-70D,CH3OH,0-1000 ppm,in NEMA 4X housing	2,095.00
GD-70D4X-MMA-2	Smart transmitter,GD-70D,CH3OH,0-2000 ppm,in NEMA 4X housing	2,095.00
GD-70D4X-MPRO2K	Smart transmitter,GD-70D,C3H8,0-2000 PPM,in NEMA 4X housing	2,095.00
GD-70D4X-MPRO5K	Smart transmitter,GD-70D,C3H8,0-5000 PPM,in NEMA 4X housing	2,095.00
GD-70D4X-MR32	Smart transmitter,GD-70D,R32,0-2000 ppm,in NEMA 4X housing	2,095.00
GD-70D4X-MR41	Smart transmitter,GD-70D,R41,0-2000 ppm,in NEMA 4X housing	2,095.00
GD-70D4X-NH3	Smart transmitter,GD-70D,NH3,0-75 ppm,in NEMA 4X housing	2,095.00
GD-70D4X-NO	Smart transmitter,GD-70D,NO,0-100 ppm,in NEMA 4X housing	2,095.00
GD-70D4X-NO2-09	Smart transmitter,GD-70D,NO2,0-9.0 ppm,in NEMA 4X housing	2,095.00
GD-70D4X-NO2-15	Smart transmitter,GD-70D,NO2,0-15 ppm,in NEMA 4X housing	2,095.00
GD-70D4X-NS	Smart transmitter,GD-70D,in NEMA 4X housing,w/out sensor	2,095.00
GD-70D4X-NST	Smart transmitter,GD-70D,in NEMA 4X housing,w/out sensor/transmitter	2,095.00
GD-70D4X-O3	Smart transmitter,GD-70D,O3,0-0.60 ppm,in NEMA 4X housing	2,095.00
GD-70D4X-OXY-EC	Smart transmitter, GD-70D for Oxygen (O2), 0-25% Vol. with 4-20 mA output, with EC sensor in NEMA 4X housing	2,095.00
GD-70D4X-PH3-AH	Smart transmitter,GD-70D,PH3,0-1.00 ppm,in NEMA 4X housing	2,095.00
GD-70D4X-PH3-DH	Smart transmitter,GD-70D,PH3,0-1.00 ppm,in NEMA 4X housing	2,095.00
GD-70D4X-Si2H6	Smart transmitter,GD-70D,Si2H6,0-15 ppm,in NEMA 4X housing	2,095.00
GD-70D4X-SiH4-A	Smart transmitter,GD-70D,SiH4,0-15 ppm,in NEMA 4X housing	2,095.00
GD-70D4X-SiH4-D	Smart transmitter,GD-70D,SiH4,0-15 ppm,in NEMA 4X housing	2,095.00
GD-70D4X-SO2	Smart transmitter,GD-70D,SO2,0-6.00 ppm,in NEMA 4X housing	2,095.00

Numerical Index

Part#	Description	Suggested Retail
GD-70D4X-TMA	Smart transmitter,GD-70D,(CH ₃) ₃ N,0-15 ppm,in NEMA 4X housing	2,095.00
GD-70D4X-XXX	Smart transmitter, GD-70D toxic gas monitor with 4-20 mA output, in NEMA 4X housing (XXX denotes the gas)	2,095.00
GD-70DEA-CLF3	Smart transmitter,GD-70D,CLF3(chlorine trifluoride),0-0.30 ppm,w/ethernet & 4-20 mA outputs	1,895.00
GD-70DEA-CO-01	Smart transmitter,GD-70D,CO (carbon monoxide),0-150 ppm w/ESU-23 sensor,w/ethernet & 4-20 mA outputs.....	1,595.00
GD-70DEA-CO-03	Smart transmitter,GD-70D,CO (carbon monoxide),0-300 ppm w/ESU-23 sensor,w/ethernet & 4-20 out	1,595.00
GD-70DEA-CO-04	Smart transmitter,GD-70D,CO(carbon monoxide),0-150 ppm w/ESU-23 sensor,EA type, for 1/4 x 5/32 tubing	1,595.00
GD-70DEA-CO-11	Smart transmitter,GD-70D,CO (carbon monoxide),0-150 ppm,ESU-231 sensor,w/ethernet & 4-20 mA outputs	1,595.00
GD-70DEA-HCOOH	Smart transmitter,GD-70D,HCOOH (formic acid),0-15.0 ppm,w/ethernet & 4-20 mA outputs	1,595.00
GD-70DEA-LEL-H2	Smart transmitter, GD-70D for Hydrogen (H ₂), 0-100% LEL, with ethernet and 4-20 mA outputs	1,495.00
GD-70DEA-LEL-HS	Smart transmitter,GD-70D,H ₂ specific,0-100% LEL,w/ethernet & 4-20 mA outputs	1,495.00
GD-70DEA-LELCH4	Smart transmitter, GD-70D for Methane (CH ₄), 0-100% LEL, with ethernet and 4-20 mA outputs	1,495.00
GD-70DEA-MC4F6A	Smart transmitter,GD-70D,MOS sensor,hexafluorabutadiene,0-200 ppn,w/ethernet & 4-20 mA out ...	1,595.00
GD-70DEA-MX-XXX	Smart transmitter, GD-70D with MOS (Metal Oxide Sensor), with ethernet and 4-20 mA outputs (specify gas & range)	1,595.00
GD-70DEA-N2H4	Smart transmitter,GD-70D,N ₂ H ₄ (hydrazine) 0-5.00 ppm,w/ethernet & 4-20 mA outputs	1,595.00
GD-70DEA-NH3	Smart transmitter,GD-70D,NH ₃ (ammonia),0-75.0 ppm,w/ethernet & 4-20 mA outputs	1,595.00
GD-70DEA-NO2-15	Smart transmitter,GD-70D,NO ₂ (nitrogen dioxide),0-15.0 ppm,w/ethernet & 4-20 mA outputs	1,595.00
GD-70DEA-NS	Smart transmitter, GD-70D toxic gas monitor without sensor, with ethernet & 4-20 mA outputs.....	1,100.00
GD-70DEA-O3	Smart transmitter,GD-70D,O ₃ (ozone),0-0.60 ppm,w/ethernet & 4-20 mA outputs	1,595.00
GD-70DEA-O3-10	Smart transmitter,GD-70D,O ₃ (ozone),0-1.00 ppm,w/ethernet & 4-20 mA outputs	1,595.00
GD-70DEA-OXY-EC	Smart transmitter, GD-70D for Oxygen (O ₂), 0-25% Vol. with ethernet & 4-20 mA outputs, with EC sensor	1,695.00
GD-70DEA-XXX	Smart transmitter, GD-70D toxic gas monitor with ethernet and 4-20 mA outputs, (XXX denotes the gas, check the chart below)	1,595.00
GD-70DEA4X-H2O2	Smart transmitter,GD-70D,H ₂ O ₂ ,0-3.00 ppm,in NEMA 4X housing,w/Ethernet & 4-20 mA outputs	2,295.00
GD-70DEA4X-HNO3	Smart transmitter,GD-70D,HNO ₃ ,0-20.0 ppm,in NEMA 4X housing,w/Ethernet & 4-20 mA outputs ...	2,295.00
GD-70DEA4X-NH3	Smart transmitter,GD-70D,NH ₃ ,0-75 ppm,in NEMA 4X housing,w/Ethernet & 4-20 mA outputs	2,295.00
GD-70DP-COS	Smart transmitterw/pyrolyzer,GD-70D,COS(carbonyl sulfide),0-90 ppm	2,145.00
GD-70DP-NF3	Smart transmitter, GD-70D for Nitrogen Trifluoride (NF ₃), 0-30 ppm, includes pyrolyzer	2,345.00
GD-70DP-TEB	Smart transmitter w/pyrolyzer,GD-70D,TEB(triethylborane) 0-1000 ppm	2,145.00
GD-70DP-TEOS	Smart transmitter, GD-70D for TEOS, 0-15 ppm, includes pyrolyzer	2,345.00
GD-70DP-TMB	Smart transmitter w/pyrolyzer,GD-70D,TMB(trimethoxy borane) 0-1000 ppm.	2,145.00
GD-70DP-TMOS	Smart transmitter w/pyrolyzer,GD-70D,TMOS(tetramethoxysilane),0-15.0 ppm.	2,145.00
GD-70DPEA-TEOS	Smart transmitter w/pyrolyzer,GD-70D,TEOS(tetraethyl orthosilicate),0-15ppm,w/Ethernet and 4-20mA out	2,450.00
GD-70DPLN-3MS	GD-70DPLN-3MS-1,Smart transmitter,GD-70D,3MS(trimethyl silane),0-15 ppm,Lonworks type	2,500.00
GD-70DS-ASH3	Smart transmitter,GD-70D,AsH ₃ (arsine),0-0.2 ppm	1,595.00
GD-70DS-ASH3-50	Smart transmitter,GD-70D,AsH ₃ (arsine),0-50 ppb	1,595.00
GD-70DSEA-ASH3	Smart transmitter,GD-70D,AsH ₃ (arsine),0-0.2 ppm,with ethernet and 4-20 outputs	1,595.00
GD-70DUL-O3-10	Smart transmitter,GD-70D,O ₃ (ozone),0-1.00 ppm,UL version	1,595.00
GD-A80-01	Diffusion detector assembly, model GD-A80, 0 - 100% LEL methane, explosion proof	575.00
GD-A80-02	Diffusion detector assembly, model GD-A80, 0 - 100% LEL hexane, explosion proof	575.00
GD-A80-03	Diffusion detector assembly, model GD-A80, 0 - 100% LEL propane, explosion proof	575.00
GD-A80-04	Diffusion detector assembly, model GD-A80, 0 - 100% LEL hydrogen, explosion proof	575.00
GD-A80-05	Diffusion detector assembly, model GD-A80, 0 - 100% LEL isobutane, explosion proof	575.00
GD-A80-06	Diffusion detector assembly, model GD-A80, 0 - 100% LEL MMA (mono methyl methacrylate), explosion proof	575.00
GD-A80-07	Detector assembly,diffusion,XP,0-100 %LEL C ₂ H ₄ (ethylene),GD-A80	575.00
GD-A80V-01	Diffusion detector assembly, model GD-A80V, 0 - 2000 ppm hydrogen, H ₂ specific, MOS sensor, explosion proof	575.00
GD-A80V-02	Diffusion detector assembly, model GD-A80V, 0 - 5000 ppm hydrogen, H ₂ specific, SG-8511, explosion proof	575.00
GD-A80V-03	Diffusion detector assembly, model GD-A80V, 0 - 75 ppm ammonia, MOS sensor, explosion proof.....	575.00
GD-A80V-04	Diffusion detector assembly, model GD-A80V, 0 - 300 ppm MMA (methyl methacrylate), MOS sensor, explosion proof	575.00
GD-A80V-05	Detector assembly,diffusion,XP,0-2000 ppm VCM (vinly chloride monomer),MOS,GD-A80V	575.00
GD-A80V-06	Detector assembly,diffusion,XP,0-5000 ppm dioxane (C ₄ H ₈ O ₂),SG-8511,MOS,GD-A80V	575.00

Numerical Index

Part#	Description	Suggested Retail
GD-A80V-07	Detector assembly,diffusion,XP,0-30 ppm H2S,MOS,GD-A80V	575.00
GD-A80V-08	Detector assembly,diffusion,XP,0-2000 ppm benzene (C6H6),SG-8521,MOS,GD-A80V	575.00
GD-A80V-09	Detector assembly,diffusion,XP,0-1000 ppm hexane (C6H14),SG-8521,MOS,GD-A80	575.00
GD-A80V-10	Detector assembly,diffusion,XP,0-500 ppm MEK (C4H8O),SG-8521,MOS,GD-A80	575.00
GD-A80V-11	Detector assembly,diffusion,XP,0-300 ppm TCE (trichlorethylene),SG-8523,MOS,GD-A80	575.00
GD-A80V-12	Detector assembly,diffusion,XP,0-100 ppm C8H10 (xylene),SG-8521,MOS,GD-A80	575.00
GD-A80V-13	Detector assembly,diffusion,XP,0-1000 ppm C4H10 (isobutane),SG-8521,MOS,GD-A80	575.00
GD-A80V-14	Detector assembly,diffusion,XP,0-500 ppm DCM (dichloromethane),SG-8523,MOS,GD-A80	575.00
GD-D58-AU1-102	GD-D58,GP type w/HW-6213,0-100 %LEL CH4,G1 ports,brass 1/4 inch tube ftgs,110 VAC	1,500.00
GD-D58-AU1-104	GD-D58,GP type w/HW-6211,0-100 %LEL H2,G1 ports,brass 1/4 inch tube ftgs,115 VAC	1,500.00
GD-D58-AU1-202	GD-D58,GP type w/HW-6213,0-100 %LEL CH4,G1 x 3/4 ports,brass 1/4 inch tube ftgs,115 VAC	1,650.00
GD-D58-AU1-204	GD-D58,GP type w/HW-6211,0-100 %LEL H2,G1 x 3/4 ports,brass 1/4 inch tube ftgs,115 VAC	1,650.00
GD-D58-DU1-101	GD-D58 GP type w/HW-6211,0-100 %LEL toluene,with G1 ports,brass 1/4 inch tube ftgs,24 VDC	1,500.00
GD-D58-DU1-103	GD-D58 GP type w/HW-6211,0-100 %LEL isobutane,with G1 ports,brass 1/4 inch tube ftgs,24 VDC ...	1,500.00
GD-D58-DU1-201	GD-D58,GP type w/HW-6211,0-100 %LEL toluene,G1 x 3/4 ports,brass 1/4 inch tube ftgs,24 VDC	1,650.00
GD-D58-DU1-203	GD-D58,GP type w/HW-6211,0-100 %LEL isobutane,G1 x 3/4 ports,brass 1/4 inch tube ftgs,24 VDC ...	1,650.00
GD-F88AI	Smart transmitter,GD-K88AI,O2 (oxygen),0-25%,IS type	1,350.00
GD-K884X-ASH3	GD-K88AI in NEMA 4X housingi, Arsine (AsH3), 0-0.2 ppm, IS type	1,600.00
GD-K884X-B2H6	GD-K88AI in NEMA 4X housingi, Diborane (B2H6), 0-0.3 ppm, IS type	1,600.00
GD-K884X-BCL3	GD-K88AI in NEMA 4X housingi, Boron Trichloride (BCl3), 0-15 ppm (HCl), IS type	1,600.00
GD-K884X-BF3	GD-K88AI in NEMA 4X housingi, Boron Trifluoride (BF3), 0-9 ppm (HF), IS type	1,600.00
GD-K884X-BTBAS	GD-K88AI in NEMA 4X housingi, BTBAS, 0-15 ppm, IS type	1,600.00
GD-K884X-CL2	GD-K88AI in NEMA 4X housingi, Chlorine (Cl2), 0-3.00 ppm, IS type	1,600.00
GD-K884X-CL2-10	GD-K88AI-CL2-10 in NEMA 4X housing,0-10.0 ppm Cl2(chlorine)	1,600.00
GD-K884X-CLF3	GD-K88AI in NEMA 4X housingi, Chlorine Trifluoride (ClF3), 0-0.6 ppm, IS type	1,600.00
GD-K884X-CO	GD-K88AI in NEMA 4X housingi, Carbon Monoxide (CO), 0-150 ppm, IS type	1,600.00
GD-K884X-H2O2	GD-K88AI-H2O2 in NEMA 4X housing,0-3.00 ppm H2O2(hydrogen peroxide)	1,600.00
GD-K884X-H2S-01	GD-K88AI in NEMA 4X housingi, Hydrogen Sulfide (H2S), 0-1 ppm, IS type	1,600.00
GD-K884X-H2S-30	GD-K88AI in NEMA 4X housingi, Hydrogen Sulfide (H2S), 0-30 ppm, IS type	1,600.00
GD-K884X-HCN	GD-K88AI-HCN in NEMA 4X housing,0-15.0 ppm HCN (hydrogen cyanide)	1,600.00
GD-K884X-NH3	GD-K88AI in NEMA 4X housingi, Ammonia (NH3), 0-75 ppm, IS type	1,600.00
GD-K884X-NO	GD-K88AI-NO in NEMA 4X Housing,0-100 ppm NO(nitric oxide).....	1,600.00
GD-K884X-NO2	GD-K88AI-NO2 in NEMA 4X Housing,0-15 ppm NO2(nitrogen dioxide)	1,600.00
GD-K884X-NSA-01	GD-K884X enclosure without detector head,for field installation of detecor head	400.00
GD-K884X-PH3	GD-K88AI in NEMA 4X housingi, Phosphine (PH3), 0-1 ppm, IS type	1,600.00
GD-K884X-Si2H6	GD-K88AI in NEMA 4X housingi, Disilane (Si2H6), 0-15 ppm, IS type	1,600.00
GD-K884X-SiH4-A	GD-K88AI-SiH4-A in NEMA 4X Housing,0-15 ppm SiH4(silane)	1,600.00
GD-K884X-SiH4-AH	GD-K88AI in NEMA 4X housingi, Silane (SiH4), 0-15 ppm, AH sensor, low H2 response, IS type	1,600.00
GD-K884X-SiH4-DH	GD-K88AI in NEMA 4X housingi, Silane (SiH4), 0-15 ppm, DH sensor, with H2 response, IS type	1,600.00
GD-K884X-SO2	GD-K88AI-SO2 in NEMA 4X housing,0-6.00 ppm SO2(sulphur dioxide)	1,600.00
GD-K884X-WF6	GD-K88AI in NEMA 4X housingi, Tungsten Hexafluoride (WF6), 0-9 ppm (HF), IS type	1,600.00
GD-K88AI-ASH3	Smart transmitter, GD-K88Ai, Arsine (AsH3), 0-0.2 ppm, IS type	1,250.00
GD-K88AI-B2H6	Smart transmitter, GD-K88Ai, Diborane (B2H6), 0-0.3 ppm, IS type.....	1,250.00
GD-K88AI-BTBAS	Smart transmitter, GD-K88Ai, BTBAS, 0-15 ppm, IS type	1,250.00
GD-K88AI-CL2	Smart transmitter, GD-K88Ai, Chlorine (Cl2), 0-3.00 ppm, IS type	1,250.00
GD-K88AI-CL2-10	Smart transmitter,GD-K88AI,Cl2 (chlorine),0-10.0 ppm,IS type	1,250.00
GD-K88AI-CO	Smart transmitter, GD-K88Ai, Carbon Monoxide (CO), 0-150 ppm, IS type	1,250.00
GD-K88AI-CO-01	Smart transmitter,GD-K88AI,CO (carbon monoxide),0-75 ppm,IS type	1,250.00
GD-K88AI-CO-03	Smart transmitter,GD-K88AI,CO (carbon monoxide),0-300 ppm,IS type.....	1,250.00
GD-K88AI-GEH4	Smart transmitter,GD-K88AI,GeH4 (germane),0-0.80 ppm,IS type	1,250.00
GD-K88AI-H2S-01	Smart transmitter, GD-K88Ai, Hydrogen Sulfide (H2S), 0-1 ppm, IS type	1,250.00
GD-K88AI-H2S-30	Smart transmitter, GD-K88Ai, Hydrogen Sulfide (H2S), 0-30 ppm, IS type	1,250.00
GD-K88Ai-HCN	Smart transmitter, GD-K88Ai, Hydrogen Cyanide (HCN), 0-15.0 ppm, IS type.....	1,250.00
GD-K88AI-NH3	Smart transmitter, GD-K88Ai, Ammonia (NH3), 0-75 ppm, IS type	1,250.00
GD-K88AI-NH3-H	Smart transmitter,GD-K88AI,NH3 (ammonia),0-75.0 ppm, high-humidity use, IS type	1,250.00
GD-K88AI-NO	Smart transmitter,GD-K88AI,NO (nitric oxide),0-100 ppm,IS type	1,250.00
GD-K88AI-NO2	Smart transmitter,GD-K88AI,NO2 (nitrogen dioxide),0-15.0 ppm,IS type	1,250.00
GD-K88AI-PH3	Smart transmitter, GD-K88Ai, Phosphine (PH3), 0-1 ppm, IS type	1,250.00
GD-K88AI-Si2H6	Smart transmitter, GD-K88Ai, Disilane (Si2H6), 0-15 ppm, IS type	1,250.00
GD-K88AI-SiH4-A	Smart transmitter,GD-K88AI,SiH4 (silane),0-15.0 ppm,w/23AH sensor,IS type	1,250.00
GD-K88AI-SiH4-AH	Smart transmitter, GD-K88Ai, Silane (SiH4), 0-15 ppm, AH sensor, low H2 response, IS type	1,250.00

Numerical Index

Part#	Description	Suggested Retail
GD-K88AI-SIH4-D	Smart transmitter,GD-K88AI,SIH4 (silane),0-15.0 ppm,w/23DH sensor,IS type	1,250.00
GD-K88AI-SIH4-DH	Smart transmitter, GD-K88AI, Silane (SiH4), 0-15 ppm, DH sensor, with H2 response, IS type	1,250.00
GD-K88AI-SO2	Smart transmitter,GD-K88AI,SO2 (sulfur dioxide),0-6.00 ppm,IS type	1,250.00
GD-K88AI-SO2-30	Smart transmitter,GD-K88AI,SO2 (sulfur dioxide),0-30.0 ppm,IS type	1,250.00
GD-K88DI-CL2	Smart transmitter,GD-K88DI,Cl2 (chlorine),0-3.00 ppm,IS type,sample draw	2,295.00
GD-K88DI-H2S-30	Smart transmitter,GD-K88DI,H2S (hydrogen sulfide),0-30.0 ppm,IS type,sample draw	2,295.00
GD-K88DI-HCL-15	Smart transmitter,GD-K88DI,HCl (hydrogen chloride),0-15.0 ppm,IS type,sample draw	2,295.00
GD-K88DI-HCN	Smart transmitter,GD-K88DI,HCn (hydrogen cyanide),0-15.0 ppm,IS type,sample draw	2,295.00
GD-K88DI-NH3	Smart transmitter,GD-K88DI,NH3 (ammonia),0-75.0 ppm,IS type,sample draw	2,295.00
GD-K88DI-NO2	Smart transmitter,GD-K88DI,NO2 (nitrogen dioxide),0-15.0 ppm,IS type,sample draw	2,295.00
GD-K88DI-O3-06	Smart transmitter,GD-K88DI,O3 (ozone),0-0.60 ppm,IS type,sample draw	2,295.00
GD-K88DI-O3-10	Smart transmitter,GD-K88DI,O3 (ozone),0-1.00 ppm,IS type,sample draw	2,295.00
GE-4641-S2	LEL Sensor for GP-226, isobutane (HC)	80.00
GH-5001	Module, indicator/alarm, GH-5001, combustible or toxic gases (ppm range), RM-5000 Series (specify gas & range)	695.00
GH-5001-DIOX	Module,indicator/alarm, GH-5001,0-500 ppm dioxane (C4H8O2)	695.00
GH-5001-HEX-10K	Module,indicator/alarm,GH-5001,0-10000 ppm hexane (C6H14),for SG-8511	695.00
GH-5001-HEX-1K	Module,indicator/alarm,GH-5001,0-1000 ppm hexane (C6H14),for SG-8547	695.00
GH-5001-HEX-2K	Module,indicator/alarm,GH-5001,0-2000 ppm hexane (C6H14),for SG-8547	695.00
GH-5001-NH3-75	Module,indicator/alarm, GH-5001,0-75 ppm ammonia (NH3)	695.00
GH-5001-TCE-300	Module,indicator/alarm, GH-5001,0-300 ppm TCE (trichlorethylene)	695.00
GH-5001-VCM-2K	Module,indicator/alarm, GH-5001,0-2000 ppm VCM	695.00
GH-5001-VCM-500	Module,indicator/alarm, GH-5001,0-500 ppm VCM	695.00
GH-5001-XYL-100	Module,indicator/alarm, GH-5001,0-100 ppm xylene (C4H10)	695.00
GH-5001H	Module, indicator/alarm, GH-5001H, 0-2000 ppm H2, (for SG-8541,SG-8546,61-0160RK sensors)	695.00
GH-5001H-01	Module,indicator/alarm, GH-5001H, 0-2000 ppm H2, NE relays/test relay on	695.00
GH-5001H-01-CC	Module,indicator/alarm, GH-5001H with 5000-CC module adptr, 0-2000 ppm H2, NE relays/test relay on	790.00
GH-5001H-02	Module,indicator/alm, GH-5001H, 0-2000 ppm H2, NE relays/self resetting alms/test relay on	695.00
GH-5001H-02-CC	Module,indicator/alm, GH-5001H with 5000-CC, 0-2000 ppm H2, NE relays/self rstg alms/test relay on	790.00
GH-5001H-02-CCS	Module, 0-2000 ppm H2, GH-5001H with 5000-CC and 570-SR, NE relays/self rstg alms/test relay on	990.00
GH-6001A-01	GH-6001 combustible gas monitor,0-200 ppm hexane,100-240 VAC input, 60Hz	695.00
GH-6001A-02	GH-6001 combustible gas monitor,0-500 ppm DCM(dicloromethane),100-240 VAC input, 60Hz	695.00
GP-5001	Module,indicator/alarm, GP-5001,combustible gas, 0-100% LEL, RM-5000 Series (MUST SPECIFY GAS) ...	695.00
GP-5001-C2H4	Module,indicator/alarm,GP-5001,combustible gas ,0-100 %LEL ethylene,RM-5000 Series	695.00
GP-5001-C4H10	Module,indicator/alarm, GP-5001,combustible gas , 0-100 %LEL isobutane, RM-5000 Series	695.00
GP-5001-CH4	Module, indicator/alarm, GP-5001,combustible gas , 0-100% LEL CH4, RM-5000 Series	695.00
GP-5001-IPA	Module,indicator/alarm,GP-5001,combustible gas ,0-100 %LEL IPA (isopropyl alcohol),RM-5000 Series	695.00
GP-5001-NMP	Module,indicator/alarm,GP-5001,combustible gas ,0-100 %LEL N-Methyl-2-Pyrrolidone,RM-5000 Series	695.00
GP-5001-TOL	Module,indicator/alarm,GP-5001,combustible gas,0-100% LEL toluene (C7H8),RM-5000 Series	695.00
GP-6001A-01	GP-6001 combustible gas monitor,0-100 %LEL isobutane,100-240 VAC input, 60Hz	695.00
GP-6001A-02	GP-6001 combustible gas monitor,0-100 %LEL CH4,for HW-6213 sensor,100-240 VAC input	695.00
GP-6001A-03	GP-6001 combustible gas monitor,0-100 %LEL H2,for HW-6211 sensor,100-240 VAC input	695.00
HW-6206	Sensor,HW-6206,high temperature,w/lead wires	1,260.00
HW-6207	Sensor,0-100 %LEL,HW-6207,high temperature	1,260.00
HW-6211	Sensor HW-6211, for SD-1GP, GD-A80, GD-A8/D8, Isobutane, H2	220.00
HW-6212	Sensor HW-6212 for GD-A80, GD-A8, furnace insert type,LEL	220.00
HW-6213	Sensor, HW-6213 for GD-A80, GD-A8, Methane	220.00
HW-6214	Sensor, HW-6214, %LEL, for GD-A80, GD-A8, C2H4	220.00
HW-6214B	Sensor, HW-6214, for GD-A80, GD-A8, VCM	240.00
HW-6216	LEL Sensor elements,Isobutane,for GD-D5C	240.00
HW-6217	LEL Sensor w/wires, for GD-B2	230.00
HW-6219	Sensor HW-6219,for GD-A43,Isobutane,H2	260.00
HW-6220	LEL Sensor,GP-109,GE-6670-P1	275.00
HW-6246	Filament set only, Isobutane, for GP-204 shipboard use only	65.00
HW-6255	Sensor, LEL for NP-85	230.00
HW-6257	LEL sensor for GP-85N / GX-85N / GP-88 replacement (not for GP-88S)	175.00
IRR-0409	Sensor, Carbon Dioxide (CO2), 0-10% volume for GX-3R Pro	400.00
IRR-0433	Sensor, Carbon Dioxide (CO2), 0-10,000 ppm for GX-3R Pro	400.00
NC-5001-C2H4	Module indicator/alarm, 0 - 100 %LEL Ethylene (C2H4), for NC-6241A, RM-5000 Series	660.00
NC-5001-CH4	Module indicator/alarm, 0 - 100 %LEL CH4, for NC-6241, RM-5000 Series	695.00
NC-5001-THF	Module indicator/alarm, 0 - 100 %LEL THF, for NC-6241, RM-5000 Series	695.00

Numerical Index

Part#	Description	Suggested Retail
NC-5001H	Module,indicator/alarm,0 - 100 %LEL H2, RM-5000 Series	695.00
NC-5001W-35	Module,indicator/alarm,0-10 %LEL/0-100 %LEL, for NC-6240A	695.00
NC-6205-01	Sensor, LEL Hydrogen (H2) specific, 1/2 NPT, with guard and silicone resistance, UL version, (no transmitter, no j-box)	400.00
NC-6205-01-03	Sensor,H2 specific,1/2 inch NPT,silicone resistant,w/guard,with 3 foot cable	425.00
NC-6205-02	Sensor,H2 specific,1/2 inch NPT,silicone resistant,w/o guard	400.00
NC-6205-05	Sensor, LEL Hydrogen (H2) specific, explosion proof direct connection, with silicone resistance, cCSAus version, (no transmitter, no j-box)	450.00
NC-6211	Sensor,NC-6211,LEL/ppm,catalytic,plug-in style	300.00
NC-6215	Sensor, LEL, NC-6215, GX-8000 and GP-1000	360.00
NC-6239	Sensor, LEL combustible (catalytic), NC-6239, plug-in	220.00
NC-6240A	Sensor, LEL or PPM combustible, for sample draw 35-3000	220.00
NC-6245	Sensor, Combustible 0-100% LEL for sample draw 35-3001, 35-3000, SD-1, and Model 1017	220.00
NC-6260B	Sensor, LEL / ppm, plug-in, EAGLE 2	200.00
NC-6264A	Sensor, Methane (CH4) 0-100% LEL for GX-2009/GX-2012/GX-6000/GP-03/Gas Tracer	120.00
NC-6264AZX	Sensor, Methane (CH4) 0-100% LEL, silicone resistant, for GX-2009/GX-2012/GX-6000/GX-2001/ GX-2003/Gas Tracer/GP-01	130.00
NC-6264B	Sensor, Methane (CH4) 0-100% LEL for GX-2009 MSHA / GX-2012 CSA	140.00
NC-6307	Sensor for NC-1000, catalytic	380.00
NCR-6309	Sensor, LEL 0-100% for GX-3R / GX-3R Pro / GX-Force	150.00
NCU-6211	Sensor, combustibles, 0-100% LEL, sensor unit	395.00
NCU-6213	Sensor,LEL sensor/amp unit,0 - 100 %LEL CH4 (methane) default,GD-70D	395.00
NCU-6244A	Sensor,H2 specific sensor/amp unit,0-100 %LEL H2 (hydrogen) default,GD-70D	395.00
NP-5001	Module, indicator/alarm, NP-5001, combustible gas, % volume, RM-5000 Series	695.00
NP-5001-01	Module indicator/alarm, NP-5001, 0-5% H2, for TE-7560 sensor	695.00
OS-8066	Oxygen sensor,OS-8066	700.00
OS-8071	Sensor,Oxygen,OS-8071, fixed system special Type	320.00
OS-8078	Sensor,Oxygen,OS-8078, fixed system special Type	260.00
OS-8095	Sensor,oxygen,for GD-F24, for low humidity applications	260.00
OS-B01	Sensor, Oxygen (O2), 0-40% vol, plug-in diffusion type, for OX-07	195.00
OS-B11	Sensor, Oxygen with cable and pigtail	195.00
OS-B11E-A	Sensor, Oxygen (O2) 0-25% vol for SD-10X	220.00
OS-B11H	Sensor,Oxy w/cable and pigtail,OS-B11H,hi humidity	195.00
OS-B11TF	Sensor, Oxygen (O2) 0 - 25%, OS-B11TF, with cable, pigtail, solvent resistant	210.00
OS-B11TFX	Sensor,Oxygen w/cable and pigtail,solvent resistant,OS-B11TFX	400.00
OS-BM1D	Sensor, Oxygen (O2), OS-BM1D for OX-600	150.00
OS-BM2	Sensor, Galvanic, Oxygen (O2) 0-25% Vol. for GX-2009/GX-2012/GasTracer/GX-6000/OX-03/GasWatch 3	120.00
OS-C11	Sensor, Oxygen with cable and pigtail, CO2 resistant	625.00
OSU-8078-05	Sensor,O2 (oxygen),0-5.00%,for GD-70D	395.00
OX-5001	Module, indicator/alarm, oxygen, 0-25%, direct connect, RM-5000 Series	695.00
OX-5001-01	Module, indicator/alarm,oxygen,0-5%,direct connect,RM-5000 Series	695.00
OX-5002	Module, indicator/alarm, OX-5002, Oxygen (4-20mA), RM-5000 Series	695.00
PID-001L	Sensor, PID, 10.6 eV lamp, VOC 0-50 ppm for GX-6000	1,700.00
PID-002L	Sensor, PID, 10.6 eV lamp, VOC 0-6,000 ppm for GX-6000	1,300.00
PID-003L	Sensor, PID, 10.0 eV lamp, VOC 0-100 ppm, Benzene specific 0.01-50 ppm for GX-6000	2,100.00
PID-004	Sensor, PID, 11.7 eV lamp, VOC 0-1000 ppm, for GX-6000	2,000.00
PLU-70	Pyrolyzer unit only for GD-70D	955.00
PLU-70-01	Pyrolyzer unit for GD-70D,modified for no bypass and no flow alarm	955.00
PSU-590	Power supply unit,100-220 VAC input,RM-590 series	575.00
RI-257	RI-257,Freon monitor, Fixed,(Specify Gas name, Range, Alarm point)	4,500.00
RM-5000-MCASE	Multi-case for extension,RM-5000 Series	575.00
RM-5002	Module indicator/alarm, 2-wire 4-20 mA, RM-5000 Series (specify gas & range)	695.00
RM-5002-CO2-02	Module indicator/alarm, 0-9950 ppm, 2-wire 4-20 mA, RM-5000 Series	695.00
RM-5003	Module indicator/alarm, 3-wire 4-20 mA, RM-5000 Series (specify gas & range)	695.00
RM-5003-CL2	Module indicator/alarm, 0-3.00 ppm Cl2, 3-wire 4-20 mA, RM-5000 Series	695.00
RM-5003-HF-09	Module,indicator/alarm,0-9.00 ppm HF,3-wire 4-20 mA,RM-5000 Series	695.00
RM-5003-OXY	Module,indicator/alarm,0-25% oxygen,3-wire 4-20 mA,RM-5000 Series	695.00
RM-5003-OXY-485	Module,indicator/alarm,0-25% oxygen,3-wire 4-20 mA,RM-5000 Series,w/RS-485 output	770.00
RM-5003-SO2-06	Module,indicator/alarm,0-6.00 ppm SO2,3-wire 4-20 mA,RM-5000 Series	695.00
RM-5003ISOB-485	Module,indicator/alarm,0-100 %LEL isobutane (C4H10),3-wire 4-20 mA,w/RS-485 output,RM-5000 Series	770.00
RM-5003MEOH-485	Module,indicator/alarm,0-100 %LEL methanol (CH3OH),3-wire 4-20 mA,w/RS-485 output,RM-5000 Series	770.00

Numerical Index

Part#	Description	Suggested Retail
RM-6003A-01	RM-6003 gas monitor,0-100 %LEL isobutane,for 3-wire 4-20 mA detector,100-240 VAC input,60Hz	795.00
RP-D58-AJ1	RP-D58 explosion pump,G1 ports,brass 8 mm tube ftgs,115 VAC	1,080.00
RP-D58-AJ2	RP-D58 explosion pump,G1 x 3/4 port adapters,brass 8 mm tube ftgs,115 VAC	1,250.00
RP-D58-DU1	RP-D58 explosion pump,G1 ports,1/4 inch tube ftgs,24 VDC	1,080.00
RP-D58-DU2	RP-D58 explosion pump,G1 x 3/4 NPT port adapters,1/4 inch tube ftgs,24 VDC	1,250.00
SD-1DGH-ACE	Detector head,4-20 mA transmitter,w/sample adapterSD-1GH,0-100ppm acetonitrile,C2H3N,SG-8521, AL50ppm	1,550.00
SD-1DGH-H500	SD-1GH detector head, Hexane (C4H10) 0-500 ppm, 4-20 mA transmitter with sample adapter (flow through chamber)	1,550.00
SD-1DGH-H500-H	SD-1GH-H500-H detector head, Hexane (C4H10) 0-500 ppm with HART communication (no relay), with sample adapter (flow through chamber)	1,600.00
SD-1DRI-AS-IPA	SD-1DRI-AS detector head, Isopropyl Alcohol (IPA) 0 - 100% LEL, 4-20 mA transmitter, air aspirator type	4,150.00
SD-1DRI-CH4	SD-1DRI detector head, methane (CH4) 0 - 100% LEL, 4-20 mA transmitter with sample adapter (flow through chamber)	1,650.00
SD-1DRI-IC4H10	SD-1DRI detector head, Isobutane (C4H10) 0 - 100% LEL, 4-20 mA transmitter with sample adapter (flow through chamber)	1,650.00
SD-1DRI-XXX-H	SD-1DRI detector head, LEL 0 - 100% infrared type with sample adapter hardware (flow through chamber) and HART communication (no relay), replace XXX with specified gas	1,650.00
SD-1DRI-XXX-HS	SD-1DRI detector head, LEL 0 - 100% infrared type with sample adapter hardware (flow through chamber) and HART communication & SIL (no relay), replace XXX with specified gas	1,650.00
SD-1DRIAS-XXX-H	SD-1DRI detector head, LEL 0 - 100% infrared type with air aspirator hardware and HART communication (no relay), replace XXX with specified gas	4,150.00
SD-1DRIAS-XXXHS	SD-1DRI detector head, LEL 0 - 100%, infrared type with air aspirator and HART communication & SIL (no relay), replace XXX with specified gas	4,150.00
SD-1EC-CO	SD-1EC detector head, Carbon Monoxide (CO) 0 - 75 ppm, 4-20 mA transmitter	1,295.00
SD-1EC-CO-75	SD-1EC detector head, Carbon Monoxide (CO) 0 - 75 ppm, 4-20 mA transmitter	1,295.00
SD-1EC-CO-H	SD-1EC detector head, Carbon Monoxide (CO) 0 - 75 ppm with HART communication (no relay)	1,295.00
SD-1EC-CO-HS	SD-1EC detector head, Carbon Monoxide (CO) 0 - 75 ppm with HART communication (no relay)	1,295.00
SD-1EC-H2S	SD-1EC detector head, Hydrogen Sulfide (H2S) 0 - 30 ppm, 4-20 mA transmitter	1,295.00
SD-1EC-H2S-30	SD-1 EC detector head, Hydrogen Sulfide (H2S) 0 - 30 ppm, 4-20 mA	1,295.00
SD-1EC-H2S-H	SD-1EC detector head, Hydrogen Sulfide (H2S) 0 - 30 ppm with HART communication (no relay)	1,295.00
SD-1EC-H2S-HS	SD-1EC detector head, Hydrogen Sulfide (H2S) 0 - 30 ppm, with HART communication (no relay)	1,295.00
SD-1GH-ACN	SD-1GH detector head, Acrylonitrile (ACN) 0-100 ppm, 4-20 mA transmitter	995.00
SD-1GH-BNZ-500	Detector head,4-20 mA transmitter,SD-1GH,0-500 ppm benzene	995.00
SD-1GH-CH2CL2	Detector head,4-20 mA transmitter,SD-1GH,0-500 ppm methylene chloride	995.00
SD-1GH-CH4-2K	Detector head,4-20 mA transmitter,SD-1GH,0-2000 ppm CH4	995.00
SD-1GH-EDC-100	Detector head,4-20 mA transmitter,SD-1GH,0-100 ppm ethylene dichloride	995.00
SD-1GH-EO-1K	SD-1GH detector head, Ethylene Oxide (C2H4O) 0-1000 ppm with SG-8521, 4-20 mA transmitter	995.00
SD-1GH-ETH-2K	Detector head,4-20 mA transmitter,SD-1GH,0-2000 ppm ethanol	995.00
SD-1GH-ETH-5K	Detector head,4-20 mA transmitter,SD-1GH,0-5000 ppm ethanol	995.00
SD-1GH-HEX-3K	Detector head,4-20 mA transmitter,SD-1GH,0-3000 ppm hexane	995.00
SD-1GH-HEX-500	Detector head,4-20 mA transmitter,SD-1GH,0-500 ppm hexane	995.00
SD-1GH-MEK-500	Detector head,4-20 mA transmitter,SD-1GH,0-500 ppm methyl ethyl ketone	995.00
SD-1GH-PA	Detector head,4-20 mA transmitter,SD-1GH,0-1000 ppm propyl acetate (C5H10O2)	995.00
SD-1GH-R404A	Detector head,4-20 mA transmitter,SD-1GH,0-2000 ppm R404a	995.00
SD-1GH-XXX	SD-1GH detector head, semiconductor type, replace XXX with specified gas, 4-20 mA transmitter	995.00
SD-1GH-XXX-H	SD-1GH detector head, semiconductor type with HART communication (no relay), replace XXX with specified gas	995.00
SD-1GP-ACN	SD-1GP detector head, Acrylonitrile (ACN) 0 - 100% LEL, 4-20 mA transmitter	850.00
SD-1GP-CH4	SD-1GP detector head, Methane (CH4) 0 - 100% LEL, 4-20 mA transmitter	850.00
SD-1GP-CH4-H	SD-1GP detector head, Methane (CH4) 0 - 100% LEL with HART communication (no relay)	850.00
SD-1GP-CH4-HS	SD-1GP detector head, Methane (CH4) 0 - 100% LEL with HART communication & SIL (no relay)	850.00
SD-1GP-H2	SD-1GP detector head, Hydrogen (H2) 0 - 100% LEL, 4-20 mA transmitter	850.00
SD-1GP-H2-H	SD-1GP detector head, Hydrogen (H2) 0 - 100% LEL with HART communication (no relay)	850.00
SD-1GP-H2-HS	SD-1GP detector head, Hydrogen (H2) 0 - 100% LEL with HART communication & SIL (no relay)	850.00
SD-1GP-LPG	Detector head,4-20 mA transmitter,SD-1GP,0 - 100% LEL LPG (liquid propane gas)	850.00
SD-1GP-XXX	SD-1GP detector head, LEL 0 - 100% catalytic type, replace XXX with specified gas, 4-20 mA transmitter	850.00
SD-1GP-XXX-H	SD-1GP detector head, LEL 0 - 100% catalytic type with HART communication (no relay), replace XXX with specified gas	850.00
SD-1GP-XXX-HS	SD-1GP detector head, LEL 0 - 100% catalytic type with HART communication & SIL (no relay), replace XXX with specified gas	850.00

Numerical Index

Part#	Description	Suggested Retail
SD-1GP-XXX-S	SD-1GP detector head, LEL 0 - 100% catalytic type with SIL and relay, replace XXX with specified gas, 4-20 mA transmitter	850.00
SD-1OX	SD-1OX detector head, Oxygen (O2) 0 - 25% vol, 4-20 mA transmitter	1,195.00
SD-1OX-H	SD-1OX detector head, Oxygen (O2) 0 - 25% vol with HART communication (no relay)	1,195.00
SD-1OX-HS	SD-1OX detector head, Oxygen (O2) 0 - 25% vol with HART communication and SIL (no relay)	1,195.00
SD-1RI-IC4H10	Detector head,4-20 mA transmitter,SD-1RI,0 - 100 %LEL isobutane	1,400.00
SD-1RI-XXX	SD-1RI detector head, LEL infrared type, replace XXX with specified gas, 4-20 mA transmitter	1,400.00
SD-1RI-XXX-H	SD-1RI detector head, 0 - 100% LEL infrared type with HART communication (no relay), replace XXX with specified gas	1,400.00
SD-1RI-XXX-HS	SD-1RI detector head, infrared type with HART communication & SIL (no relay), replace XXX with specified gas	1,400.00
SD-2500-NMP	SD-2500-NMP transmitter, 0 - 100 %LEL NMP (n-methyl pyrrolodone)	8,500.00
SD-2600-DMF	SD-2600 transmitter,0-100 %LEL DMF(dimethylformamide)	8,980.00
SD-2600-IPA	SD-2600 transmitter,0-100 %LEL IPA (isopropyl alcohol)	8,980.00
SD-D58-AU1-203	SD-D58,w/SG-8521,0-2000 ppm methyl methacrylate,w/G1x3/4 port adptrs,brass 1/4 in tube ftgs, 115 VAC	1,900.00
SG-8511	Sensor,SG-8511, MOS (specify gas and range)	300.00
SG-8511-C3H6-2K	Sensor,SG-8511,0 - 2000 ppm propylene	300.00
SG-8511-H2-5K	Sensor,SG-8511,0 - 5000 ppm hydrogen	300.00
SG-8512	Sensor, SG-8512, MOS (specify gas and range)	300.00
SG-8513	Sensor, SG-8513, MOS (specify gas and range) (CL compounds)	300.00
SG-8513-VCM-1K	Sensor,SG-8513,0-1000 ppm vinyl chloride monomer (VCM)	300.00
SG-8513-VCM-2K	Sensor,SG-8513,0-2000 ppm vinyl chloride monomer (VCM)	300.00
SG-8513-VCM-500	Sensor,SG-8513,0-500 ppm vinyl chloride monomer (VCM)	300.00
SG-8514	Sensor, SG-8514, MOS (specify gas and range)	300.00
SG-8521	Sensor, SG-8521, MOS sensor only, ppm (specify gas & range)	300.00
SG-8521-ACN	Sensor,SG-8521,GD-D8V/A8V,0-100 ppm ACN (acrylonitrile)	300.00
SG-8521-ACN-5	Sensor,SG-8521,GD-D8V/A8V,0-500 ppm ACN (acrylonitrile)	300.00
SG-8521-H2-500	Sensor,SG-8521,GD-D8V/A8V,0-2000 ppm H2	300.00
SG-8521-ISOB-1K	Sensor,SG-8521,GD-D8V/A8V,0-1000 ppm isobutane (C4H10)	300.00
SG-8521-MEK-500	Sensor,SG-8521,GD-D8V/A8V,0-500 ppm MEK (C4H8O)	300.00
SG-8521-MMA-2K	Sensor,SG-8521,GD-D8V/A8V,0-2000 ppm MMA (C5H8O2)	300.00
SG-8521-PA-1K	Sensor,SG-8521,GD-D8V/A8V,0-1000 ppm propyl acetate	300.00
SG-8521-R32-9K	Sensor,SG-8521,GD-D8V/A8V,0 - 9000 ppm R32 (difluoromethane,CH2F2)	300.00
SG-8521-TOL	Sensor,SG-8521,GD-D8V/A8V,0-300 ppm toluene (C7H8)	300.00
SG-8522-H2S	Sensor, SG-8522, MOS, H2S, 30 ppm, GD-A8V	300.00
SG-8523	Sensor, SG-8523, MOS, TCE 300, GD-A8V	300.00
SG-8563	Sensor, Ethylene Oxide (ETO), 0 – 1000 ppm replacement sensor	300.00
SG-8563-ETO-100	Sensor, Ethylene Oxide (ETO), 0-100 ppm replacement sensor	300.00
SG-8565	Sensor, Ethanol (C2H5OH), 0 – 2000/5000 ppm replacement sensor	300.00
SG-8581	Sensor SG-8581,MOS,methane (CH4),0-2000 ppm	350.00
SG-8582	Sensor, SG-8582, MOS, Propane 0-500 ppm, GD-A8V	350.00
SGU-8511-C3H6-2	Sensor, Propylene (C3H6), 0 - 2000 ppm, MOS sensor/amp unit for GD-70D	495.00
SGU-8511-C3H6-5	Sensor, Propylene (C3H6), 0 - 5000 ppm, MOS sensor/amp unit for GD-70D	495.00
SGU-8511-C3H8-2	Sensor, Propane (C3H8), 0 - 2000 ppm, MOS sensor/amp unit for GD-70D	495.00
SGU-8511-C3H8-5	Sensor, Propane (C3H8), 0 - 5000 ppm, MOS sensor/amp unit for GD-70D	495.00
SGU-8511-C3H82K	Sensor,MOS sensor/amp unit,0 - 2000 PPM propane(C3H8),GD-70D	495.00
SGU-8511-C3H85K	Sensor,MOS sensor/amp unit,0 - 5000PPM propane(C3H8),GD-70D	495.00
SGU-8511-CH4-20	Sensor, Methane (CH4), 0-2.0% vol, MOS sensor/amp unit for GD-70D	495.00
SGU-8511-CH4-5K	Sensor, Methane (CH4), 0 - 5000 ppm, MOS sensor/amp unit for GD-70D	495.00
SGU-8511-CH420K	Sensor,MOS sensor/amp unit,0 - 2% vol methane(CH4),GD-70D	495.00
SGU-8511-H2-20K	Sensor, Hydrogen (H2), 0-2.0% vol, MOS sensor/amp unit for GD-70D	495.00
SGU-8511-R152A	Sensor,MOS sensor/amp unit,0 - 5,000 ppm difluoroethane (R152A/C2H4F2),GD-70D	495.00
SGU-8513-DCE-6	Sensor, Dichloroethene (C2H2Cl2), 0 - 600 ppm, MOS sensor/amp unit for GD-70D	600.00
SGU-8521-ACE-1K	Sensor, Acetone (C3H6O), 0-1000 ppm, MOS sensor/amp unit for GD-70D	495.00
SGU-8521-C2H2-2	Sensor, Acetylene (CH2H2), 0 - 2,000 ppm, MOS sensor/amp unit for GD-70D	495.00
SGU-8521-C2H4-2	Sensor, Ethylene (CH2H4), 0 - 2,000 ppm, MOS sensor/amp unit for GD-70D	495.00
SGU-8521-C2H4-5	Sensor,MOS sensor/amp unit,0 - 500 PPM ethylene (C2H4),GD-70D	495.00
SGU-8521-C2H4M5	Sensor,MOS sensor/amp unit,0 - 500 PPM ethylene (C2H4),calibrated to methanol,GD-70D	495.00
SGU-8521-C2H5OH	Sensor,MOS sensor/amp unit,0 - 2000 PPM C2H5OH (ethanol), GD-70D	495.00
SGU-8521-C3H6-2	Sensor,MOS sensor/amp unit,0 - 2000 PPM propylene(C3H6),GD-70D	495.00

Numerical Index

Part#	Description	Suggested Retail
SGU-8521-C4F6A	Sensor, Hexafluorobutadiene (C4F6), 0 - 200 ppm, MOS sensor/amp unit for GD-70D	495.00
SGU-8521-CH3CN	Sensor, Acetonitrile (CH3CN), 0 - 2,000 ppm, MOS sensor/amp unit for GD-70D	495.00
SGU-8521-H2-1K	Sensor, Hydrogen (H2), 0-1000 ppm, MOS sensor/amp unit for GD-70D	495.00
SGU-8521-H2-500	Sensor, Hydrogen (H2), 0 - 500 ppm, MOS sensor/amp unit for GD-70D	495.00
SGU-8521-IPA-2K	Sensor, Isopropylalcohol (CH3CHOHCH3), 0-2000 ppm, MOS sensor/amp unit for GD-70D	495.00
SGU-8521-MET-1K	Sensor, Methanol (CH3OH), 0-1000 ppm, MOS sensor/amp unit for GD-70D	495.00
SGU-8521-MET-2K	Sensor, Methanol (CH3OH), 0-2000 ppm, MOS sensor/amp unit for GD-70D	495.00
SGU-8521-R32-2K	Sensor, Difluoromethane (CH2F2), 0-2000 ppm, MOS sensor/amp unit for GD-70D	495.00
SGU-8521-R32-9K	Sensor, Difluoromethane (CH2F2), 0-9000 ppm, MOS sensor/amp unit for GD-70D	495.00
SGU-8521-R41-2K	Sensor, Fluoromethane (CH3OH), 0-2000 ppm, MOS sensor/amp unit for GD-70D	495.00
SGU-8523-DCM-2K	Sensor, Dichloromethane (DCM), 0-2000 ppm, MOS sensor/amp unit for GD-70D	495.00
SGU-8524-R134A	Sensor, MOS sensor/amp unit, 0 - 5,000 ppm tetrafluoromethane (R134a), GD-70D	495.00
SGU-8541-H2-1K	Sensor, Hydrogen (H2), 0-1000 ppm, MOS sensor/amp unit for GD-70D	495.00
SGU-8541-H2-2K	Sensor, Hydrogen (H2), 0-2000 ppm, MOS sensor/amp unit for GD-70D	495.00
SGU-8541-H2-4K	Sensor, Hydrogen (H2), 0-4000 ppm, MOS sensor/amp unit for GD-70D	600.00
SGU-8541-H2-500	Sensor, Hydrogen (H2) specific, 0 - 500 ppm, MOS sensor/amp unit for GD-70D	495.00
SGU-8562-COS-2K	Sensor, Carbonyl sulfide (COS), 0 - 2000 ppm, MOS sensor/amp unit for GD-70D	495.00
SGU-8581-CH4-2K	Sensor, Methane (CH4), 0-2000 ppm, MOS sensor/amp unit for GD-70D	495.00
SGU-8581-CH4-5K	Sensor, MOS sensor/amp unit, 0 - 5,000 ppm methane (CH4), GD-70D	495.00
SH-8641	Sensor, ppm Methane (CH4) for Gas Tracer	150.00
SH-8661	Sensor for SP-220 type methane & LPG versions	350.00
SH-8662	Sensor for SP-220 type FUM & SC versions	425.00
SM-6D-01	SM-6D, sample draw sequencer for non-reactive gases, 6 pt, with 115 VAC to 100 VAC step down xformer	7,075.00
SM-6DS-01	SM-6D, sample draw sequencer, for solvent gases, 6 point, with 115 VAC to 100 VAC step down xformer	7,075.00
SP-5001	Module, indicator/alarm, SP-5001, combustible or toxic gases (ppm range), RM-5000 Series	695.00
SSU-1925-A	Sensor, ionization, GD-70D (Need to specify gas type & range)	495.00
SSU-1927	Sensor, TEOS 0-15 ppm, ionization sensor unit	495.00
TAN-5000	Buzzer Unit, self resetting, RM-5000 Series	440.00
TAN-5000L	Buzzer Unit, latching, RM-5000 Series	440.00
TE-7515	Sensor, TC % volume combustibles, thermal conductivity, TE-7515, GX-8000	360.00
TE-7550-CH4-01	Sensor, thermal conductivity, 0-100 % volume CH4, 1/2 NPT, with guard	750.00
TE-7550-CH4-02	Sensor, thermal conductivity, 0-100 % volume CH4, 1/2 NPT, without guard	750.00
TE-7550-H2-H-01	Sensor, thermal conductivity, volume H2, 1/2 NPT, with guard	750.00
TE-7550-H2-H-02	Sensor, thermal conductivity, volume H2, 1/2 NPT, without guard	750.00
TE-7550-H2-L-01	Sensor, Hydrogen (H2) 0-10% volume, thermal conductivity, 1/2 NPT with guard, UL version	750.00
TE-7550-H2-L-02	Sensor, Hydrogen (H2) 0-10% volume, thermal conductivity, 1/2 NPT without guard, UL version	750.00
TE-7557	Sensor, TC % volume for NP-85, TE-7557	275.00
TE-7560	Sensor, thermal conductivity, TE-7560, plug-in style, fixed systems	300.00
TE-7561	Sensor, TC, % volume, GX-2003/GX-2012/Gas Tracer	160.00
TE-7568-CH4	Sensor, TE-7568, TC, for CH4, 0 - 100% volume for EAGLE 2	360.00
TE-7568-H2	Sensor, TE-7568, TC, for H2, 0 - 10%/100% volume for EAGLE 2	360.00
TP-70DG2-C4F6	Smart transmitter, GD-70D for Hexafluorobutadiene (C4F6), 0-5.00 ppm	8,200.00
TP-70DG2-C4F6-M	Smart transmitter, TP-70DGII, C4F6, 0-5.00 ppm, Micron settings	8,200.00
TP-70DG2-C5F8	Smart transmitter, GD-70D for Octafluorocyclopentene (C5F8), 0-5 ppm	8,200.00
TP-70DG2-COS	Smart transmitter, GD-70D for Carbonyl Sulfide (COS), 0-15.0 ppm	8,200.00
TP-70DG2-COS-M	Smart transmitter, TP-70DGII, COS (carbonyl sulfide), 0-15.0 ppm, Micron settings	8,200.00
Z-1010	MODBUS data logger	2,900.00
Z2000-CAP-ASSY	Sensor housing cap with flame arrestor and O-ring, for T3A/VOC Pro/6900/6940XP Airlink products and T2A/T3A	210.00
Z2000-CAPFILTER	Teflon filter, single, for T2A, AirLink T3A, AirLink T3A, AirLink VOC Pro, AirLink 6900, and AirLink 6940XP	18.00
Z2016-SB-02	XP analog sensor board for oxygen sensor element assemblies	240.00
Z2017-SB-LPIR	XP analog sensor board for low power infrared sensor element assemblies	86.00
Z401-12V1A	AC power supply, 12 VDC/1A output, 120 VAC input, 2.1 x 5.5 mm barrel plug, for AirLink 9100	200.00
Z488-KIT	Audible alarm buzzer adder	120.00
Z66-6193-1K-R	OI-6000 sensor/transmitter w/j-box, 0-1000 ppm, 10.6 eV lamp, high range sensor, w/2 relays, w/IECEx	2,440.00
Z66-6193-2K-R	OI-6000 sensor/transmitter w/j-box, 0-2000 ppm, 10.6 eV lamp, high range sensor, w/2 relays, w/IECEx	2,440.00
Z66-6901-1K-W	OI-6900 sensor/transmitter w/j-box, carbon monoxide (CO), 0-1000 ppm, 900 MHz, w/ATEX	3,495.00
Z74-2101341	Master controller per 2101341	14,860.00
Z74-2102197	Master controller per 2102197	16,192.50
ZA-ANTENNA-MT	Antenna mount for Airlink wireless radio	66.00
ZA-SD-CAP-ASSY	Flow through adapter, for Air Alert/AirLink Alert	165.00

Numerical Index

Part#	Description	Suggested Retail
ZAN-2.4RIGID-R	Antenna,rigid dipole,2.4 GHz,n-male,right-angle	200.00
ZAN-2.4RIGID-S	Antenna,rigid dipole,2.4 GHz,n-male,straight	200.00
ZAN-900-FLEX-R	Antenna, flexible dipole, 900 MHz, N-male, right-angle	190.00
ZAN-900-RIGID-S	Antenna, rigid dipole, 900 MHz, N-male, straight	260.00
ZMESR901	OEM, RS485 MODBUS TO MODBUS OVER TCP/IP CONVERTOR	1,260.00
ZPY-7010-AMB	Strobe adder for AirLink 7010, amber	600.00
ZPY-7010-BLU	Strobe adder for AirLink 7010, blue	600.00
ZPY-7010-RED	Strobe adder for Airlink 7010, red	600.00
ZPY-7010-WHT	Strobe adder for Airlink 7010, clear	600.00
ZPY-7530-AMB	Strobe adder for AirLink 7530, amber	480.00
ZPY-7530-BLU	Strobe adder for AirLink 7530, blue	480.00
ZPY-7530-RED	Strobe adder for Airlink 7530, red	480.00
ZPY-7530-WHT	Strobe adder for Airlink 7530, clear	480.00
ZPY-AMB	Strobe adder, amber	600.00
ZPY-BLU	Strobe adder, blue	600.00
ZPY-RED	Strobe adder, red	600.00
ZPY-WHT	Strobe adder, clear	600.00

Numerical Index

Part#

Description

Suggested Retail

TLV Values (ppm)			
Gas		TWA	STEL
Ammonia	NH3	25.0	35.0
Arsine	AsH3	0.005	N/A
Carbon Dioxide	CO2	5000	30,000
Carbon Monoxide	CO	25.0	N/A
Chlorine	Cl2	0.1	0.4
Fluorine	F2	0.1	0.5
Hydrogen Chloride	HCl	N/A	C 2.0
Hydrogen Cyanide	HCN	N/A	C 4.7
Hydrogen Fluoride	HF	0.5	C 2.0
Hydrogen Sulfide	H2S	1.0	5.0
Nitrogen Dioxide	NO2	0.2	N/A
Ozone	O3	0.1	N/A
Phosphine	PH3	0.05	0.15
Silane	SiH4	5.0	N/A
Sulfur Dioxide	SO2	N/A	0.25

RKI Cylinder Sizes	
Cylinder Size	RKI Part # Suffix
17 liter steel	no suffix
34 liter steel	-01
34 liter aluminum	-04
58 liter aluminum	-02
103 liter steel	-03
58 liter steel	-05
116 liter aluminum	-116

LEL/UEL % Volume Levels				
Gas		Vapor Density (Air=1)	LEL	UEL
Acetone	(CH3)2CO	2.0	2.5	12.8
Acetylene	C2H2	0.9	2.5	100.0
Benzene	C6H6	2.8	1.2	8.0
Butane	C4H10	2.0	1.6	8.4
Ethane	C2H6	1.0	3.0	12.5
Ethanol	C2H5OH	1.6	3.3	19.0
Ethylene	C2H4	1.0	2.7	28.6
Hexane	C6H14	3.0	1.1	7.5
Hydrogen	H2	0.1	4.0	75.0
Isobutane	(CH3)3CH	2.0	1.6	8.4
Isopropyl Alcohol	(CH3)2CHOH	2.1	2.0	12.7
Methane	CH4	0.55	5.0	15.0
Pentane	C5H12	2.5	1.5	7.8
Propane	C3H8	1.6	2.1	9.5
Propylene	C3H6	1.5	2.0	11.1
Toluene	C7H8	3.1	1.1	7.1
Xylene	C8H10	3.7	1.1	7.0

Sensor / Cylinder 2 Digit Date Code

RKI sensors and gas cylinders are labeled with a 2 digit date code that represents the product's manufactured date.

1st Digit = The last digit of manufactured calendar year (ex. year 2012 = 2)

2nd Digit = Month (X, Y, Z = month 10, 11, or 12 respectively)

Example: 6X = Manufacture date of Oct. 2016

Terminology

TLV - Threshold Limit Values. There are 3 categories of TLV's; TWA, STEL, & Ceiling.

TWA - Time Weighted Average. The time-weighted average concentration for a conventional 8 hour workday and a 40 hour work week, to which it is believed nearly all workers may be repeatedly exposed without adverse affect.

STEL - Short Term Exposure Limit. The concentration which is believed that workers can be exposed continuously for a short period of time without suffering provided that the TWA is not exceeded. STEL is defined as a 15 minute TWA exposure.

Ceiling - The concentration that should not be exceeded during any part of the working exposure.

Parts Per Million (ppm) equivalence to % Volume		
1 ppm	=	0.0001 %
10 ppm	=	0.001 %
100 ppm	=	0.01 %
1000 ppm	=	0.1 %
10,000 ppm	=	1.0 %
100,000 ppm	=	10.0 %
1,000,000 ppm	=	100.0 %

Cal Gas Shelf Life

Cylinder Size	Description	Shelf Life
17/34/103 L (steel)	All mixtures	3 years
34 AL/ 58 AL	H2S/N2	2 years
34 AL/ 58 AL	LEL/O2/H2S/CO	2 years
34 AL/ 58 AL	SO2/N2	2 years
34 AL/ 58 AL	NH3/N2	18 months
34 AL/ 58 AL	Cl2/N2	9 months
34 AL/ 58 AL	HCl/N2	1 year
34 AL/ 58 AL	HCN/N2	18 months
34 AL/ 58 AL	NO/N2	18 months
34 AL/ 58 AL	NO2/Air	12 months
34 AL/ 58 AL	PH3/N2	18 months
34 AL/ 58 AL	SiH4/N2	1 year

Sources: TLV values extracted from the 2023 TLV's and BEI's copyright 2016 by the American Conference of Governmental Industrial Hygienists as well as the Pocket Guide To Chemical Hazards copyright 2023 by the National Institute for Occupational Safety and Health. LEL and UEL values were extracted from the Fire Protection Guide To Hazardous Materials, 14th edition by the National Fire Protection Association.

Gas Detection For Life



INSTRUMENTS

RKI Instruments, Inc. 33248 Central Ave. Union City, CA 94587
(800) 754-5165 • www.rkiinstruments.com