

COUNTY OF ROCKLAND  
Department of General Services  
**Purchasing Division**

## Contract Award Notification

**Title:** Gear Operators – Furnish & Deliver Manual Gear Operators

**Contract Period:** November 29, 2020 through November 28, 2021 with 2 one-year options  
Extended through November 28, 2022, with one year option

**Original Date of Issue:** November 29, 2020

**Date of Revision:** November 22, 2021

**BID No:** RFB-RC-2020-103

**Catalog:** Wastewater

**Authorized Users:** County Agencies, Political Subdivisions

Address Inquiries To:

**Name:** Ann Marie Curley, CPPB  
**Title:** Assistant Director of Purchasing  
**Phone:** 845-364-3698  
**Fax:** 845-364-3809  
**E-mail:** curleya@co.rockland.ny.us

**Description**

This contract is to provide replacement gearbox operators  
for existing sluice gates for the mechanical screen building.

Contract #	Vendor Number	Contractor & Address	Telephone No.
Bid 20-103	0000023895	Raritan Group Inc. 301 Meadow Road Edison, NJ 08906 Contact: Spencer Richardson <a href="mailto:spencer@raritangroup.com">spencer@raritangroup.com/</a> Dawn White <a href="mailto:dawn@raritangroup.com">dawn@raritangroup.com</a>	732-572-2555/ Ext. 141/123  732-985-5000  <b>FAX:</b> 732-985-5002

COUNTY OF ROCKLAND  
DGS – PURCHASING DEPARTMENT  
BLDG. A, 2ND FLOOR, 50 SANATORIUM ROAD  
POMONA, NY 10970  
TELEPHONE NO.: 845-364-3820  
FAX NO.: 845-364-3809

LINE NO.	DESCRIPTION	ITEM NUMBER	EST. QTY.	UNIT	UNIT PRICE	BRAND NAME & PRODUCT CODE	VENDOR
1	Manual Gear Operator w/36" floorstand for existing sluice gate valves AUMA GK14.2	22004000001	1	EA	\$3,932.00	AUMA MODEL GK14.2	Raritan Group

**COUNTY OF ROCKLAND - DGS-PURCHASING**  
 BLDG. A., 6TH FLOOR, 50 SANATORIUM RD, POMONA, NY 10970  
 TELEPHONE: 845-364-3820 / TELEFAX: 845-364-3809

**TITLE:**  
**Gear Operators –**  
**Furnish & Deliver Manual Gear Operators**

**RFB #:**  
**RFB-RC-2020-103**

## PURCHASES BY OTHER

### LOCAL GOVERNMENTS, SCHOOL DISTRICTS, AND NON PROFIT AGENCIES

As per the New York State General Municipal Law, all political subdivisions of New York State are allowed to make purchases through the resulting contract(s). As per Rockland County Procurement Policy, Non Profit Agencies approved to participate in New York State's Contract Extension Program are authorized to make purchases through the resulting contract(s).

1. The County of Rockland must make all contract award information available to other political subdivisions and non profit agencies through our website: [www.rcpurchasing.com](http://www.rcpurchasing.com)
2. Any other political subdivision or Rockland County non profit agency will issue purchase orders directly to vendors within the specified contract period referencing the County's contract and must be liable for any payments due on such purchase orders; and must accept sole responsibility for any payment due.
3. All purchases must be subject to audit and inspection by the other political subdivisions and Rockland County non profit agencies for which the purchase was made.
4. No officer, board or agency of a county, town, village, or school district must make any purchase through the County when bids have been received for such purchase by such officer, board or agency, unless such purchase may be made upon the same terms, conditions and specifications at a lower price through the County.
5. All Bidders must be on notice that as a condition of the award of a County contract, the successful bidder must accept the award of a similar contract with any other political subdivision in New York State and Rockland County non profit agencies authorized to use New York State's contracts, if called upon to do so. A listing of approved Rockland County non profit agencies is available on the Purchasing Division's website at [www.rcpurchasing.com](http://www.rcpurchasing.com). The County, however, will not be responsible for any debts incurred by the participants pursuant to this or any other agreement.
6. Necessary deviations from the County's specifications in the award of a participant contract, whether such deviations relate to quantities, or delivery points must be resolved between the successful bidder and the other political subdivisions and Rockland County non profit agencies.

**COUNTY OF ROCKLAND - DGS-PURCHASING**  
 BLDG. A., 6TH FLOOR, 50 SANATORIUM RD, POMONA, NY 10970  
 TELEPHONE: 845-364-3820 / TELEFAX: 845-364-3809

**TITLE:**  
**Gear Operators –**  
**Furnish & Deliver Manual Gear Operators**

**RFB #:**  
**RFB-RC-2020-103**

## **SPECIFICATIONS**

### **1. SCOPE**

- 1.1. The scope of this bid is to furnish and deliver replacement gearbox operators for existing sluice gates for the mechanical screen building at the Rockland County Sewer District #1 plant facility located at 4 Route 340 Orangeburg, NY 10962. Gear operator shall be Auma GK14.2 manual gear operator with 36" floorstand for existing gate valves. Gear operators shall be new Auma as specified or approved equal, refurbished gear operators are not acceptable.
- 1.2. RCSD#1 has an immediate need for one (1) gear operator to complete a repair. Additional units may be ordered on an as needed basis.
- 1.3. The following drawings are part of the detailed specifications and are attached separately:
  - 1.3.1. Output Drive/Mounting Flange Drawing
  - 1.3.2. Hand Wheel Drawing
  - 1.3.3. Actuator Dimensional Drawing

### **2. GENERAL**

- 2.1. Bidders are encouraged to visit the site. Site visits can be arranged by calling Mr. Josue Thomas at (845) 365-6111. Vendors must perform as specified whether or not they visit the site.

### **3. APPROVED EQUAL OR EQUIVALENT PRODUCTS**

- 3.1. If proposing an equivalent gear operator, bidder shall submit an item by item listing and explanation of any differences between their product specifications and performance and the specified model. Product and service warranties must be included with bid. Failure to comply with this requirement may deem your bid non-responsive.
- 3.2. If bidders submit or bid for equivalent or approved equal products, they must submit manufacturer's product description and specifications. These specifications must include all functionality and parts of the specified model.
- 3.3. Bidders must list five entities currently using the proposed equipment on the certification of experience page in the bid package. Proposed equipment requiring adapters will not be acceptable.
- 3.4. Bidder must be able to demonstrate within one week after notice and guarantee in writing that the item bid is interconnectable with existing equipment.

### **4. BRAND NAME**

- 4.1. The use of a brand name is for the purpose of describing a standard of quality, performance and characteristics desired and is not intended to limit or restrict competition.

**COUNTY OF ROCKLAND - DGS-PURCHASING**  
 BLDG. A., 6TH FLOOR, 50 SANATORIUM RD, POMONA, NY 10970  
 TELEPHONE: 845-364-3820 / TELEFAX: 845-364-3809

**TITLE:**  
**Gear Operators –**  
**Furnish & Deliver Manual Gear Operators**

**RFB #:**  
**RFB-RC-2020-103**

**MINIMUM SPECIFICATIONS:** Bidders are to note comply or write in alternative specification in column at right of specification pages. Failure to complete this sections may result in your bid submission being deemed non-responsive.

<i><b>DESCRIPTION</b></i>	<i><b>BIDDER TO NOTE “COMPLY” OR LIST ALTERNATE SPECIFICATIONS</b></i>
<b>ITEM – AUMA GK14.2 Manual Gear Operator w/36” floorstand for existing gate valves</b>	
<b>ACTUATOR</b>	
Type: Multi-turn manual gearbox	
Action: Open/Close	
Manufacturer: AUMA	
Figure No.: GK14.2-2.8:1-20mm	
Enclosure: IP68	
Reduction ratio: 2.8:1-20mm input shaft	
Mounting position: Position A	
Gearbox input: FA14	
Handwheel: 16” steel handwheel 20mm bore	
Lubricant: F15 – Shell ALVANIA 1029 grease	
Output drive: FA14-A single start	
Stem protection tube: 5’ clear plastic tubing	
Corrosion Protection: KS	
Temperature: From -40degC -/+80degC	
Version: Weather-proof (non-hazardous location)	
Color: AUMA silver-grey (similar to RAL 7037)	
Nameplates: English – aluminum (EN-AL)	
<b>CONTROLS/ACCESSORIES</b>	
Type: 36” Indicating Floorstand	
Manufacturer: Trumbull	
Figure No.: 367-2421	
Material: Ductile Iron	
<b>DEVICE CHARACTERISTICS</b>	
AUMA product: Multi-turn manual gearbox	
Max. thrust: 36000 lbs (160 k N)	
Approximate weight (lbs.): 46	

**COUNTY OF ROCKLAND - DGS-PURCHASING**  
BLDG. A., 6TH FLOOR, 50 SANATORIUM RD, POMONA, NY 10970  
TELEPHONE: 845-364-3820 / TELEFAX: 845-364-3809

**TITLE:**  
**Gear Operators –**  
**Furnish & Deliver Manual Gear Operators**

**RFB #:**  
**RFB-RC-2020-103**

**5. DELIVERY**

5.1. All deliveries shall be made to the Rockland County Sewer District # 1 between the hours of 8:00 AM and 2:30 PM, Monday through Friday excluding holidays.

**6. AWARD**

6.1. Bid shall be awarded to the lowest responsible bidder. Quantities listed are estimates. Actual amounts ordered will depend on the requirements of the Rockland County Sewer District #1.

**DEPARTMENT OF GENERAL SERVICES, PURCHASING DIVISION**

Dr. Robert L. Yeager Health Center  
50 Sanatorium Rd, Building A  
Pomona, New York 10970  
Phone: (845) 364-3820 Fax: (845) 364-3809  
Email: purchasing@co.rockland.ny.us

**Paul Brennan, FNIGP, CPPO**  
*Director of Purchasing*

**ADDENDUM # 1**

**RFB-RC-2020-103**

**Gear Operators – Furnish & Deliver Manual Gear Operators**

The information in this addendum supersedes any contradictory information set forth in the contract documents. Bidders must acknowledge receipt of all addenda on the Bid Acknowledgement Form included with the Statement of Required Disclosures, Representations and Certifications. This addendum forms a part of the contract documents.

**Please see the following revision(s), clarification(s), and/or additional information regarding the above referenced project:**

- Please delete Section 1.2, of the specifications, and replace it with the following sentence: Orders will be placed on an as needed basis.
- Please see attached drawings noted on Section 1.3 of the specifications.

**SIGNED:**

*Paul J. Brennan*

**PAUL J. BRENNAN, FNIGP, CPPO**  
**DIRECTOR OF PURCHASING**

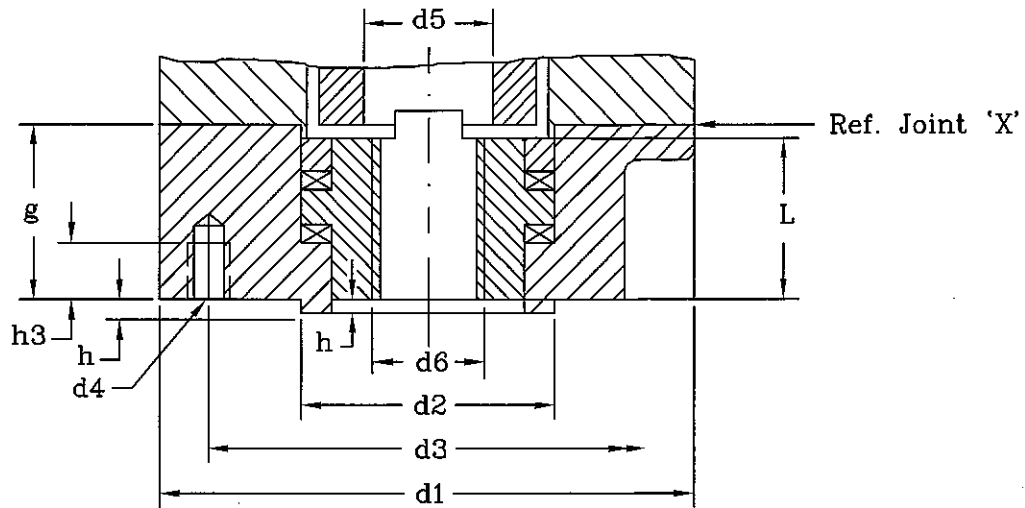
ADDENDUM  
10/16/2020

# auma

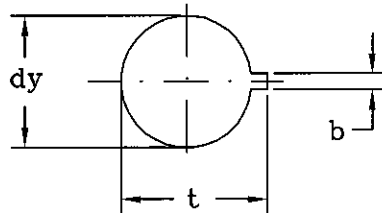
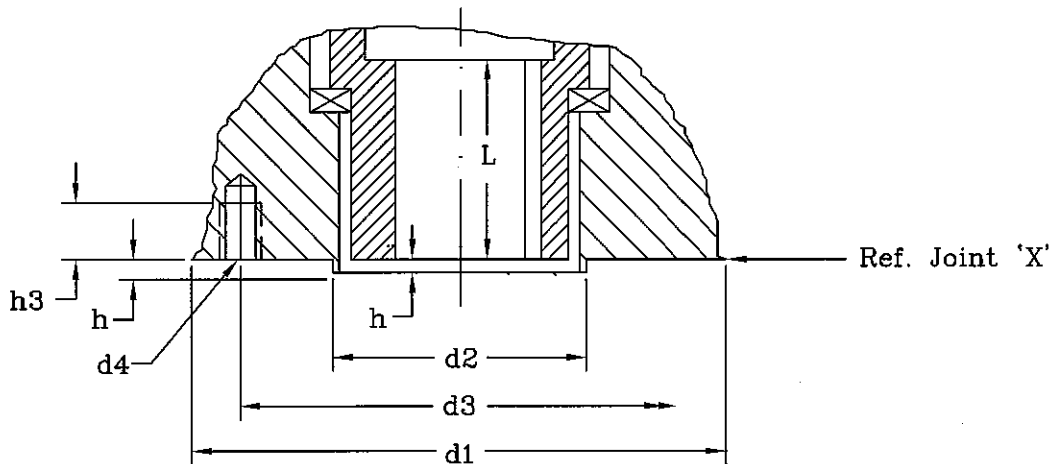
# AUMA ACTUATORS, INC.

PITTSBURGH, PA 15205

## A DRIVE



## B DRIVE



DIMENSIONS 'b' AND 't' BASED  
ON SQ. KEY PER ANSI B17.1  
AT MAX. BORE 'dy'

FLANGE TYPE PER  
MSS STANDARD SP-102

ALL DIMENSIONS SHOWN IN INCHES

GEARBOX MODEL	FLANGE TYPE	b max	d1	d2 f8	d3	(qty.)d4,unc	d5	d6 max	dy max	g	h	h3	t max	L
GK 10.2	FA10	1/4	4.9	2.312	4.00	(4) 3/8-16	1.7	1.6	1 1/8	2.0	0.12	0.87	1.25	1.9
GK 14.2	FA14	3/8	6.9	3.750	5.50	(4) 5/8-11	2.4	2.3	1 11/16	2.6	0.16	0.98	1.87	2.4
GK 14.6	FA14	3/8	6.9	3.750	5.50	(4) 5/8-11	2.4	2.3	1 11/16	2.6	0.16	0.98	1.87	2.4
GK 16.2	FA16	1/2	8.3	5.000	6.50	(4) 3/4-10	3.1	3.0	2 1/8	3.1	0.20	1.18	2.36	3.0

## A AND B DRIVE DIMENSIONS

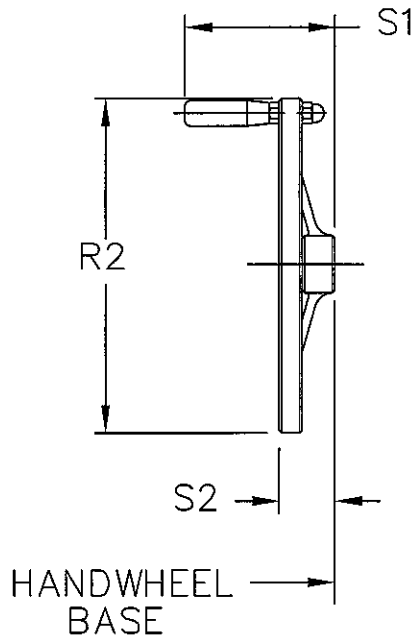
GK 10.2 - GK 16.2

BY/DATE TL 3/14/97  
APP/DATE PM 3/17/97

DWG. No. S730011S

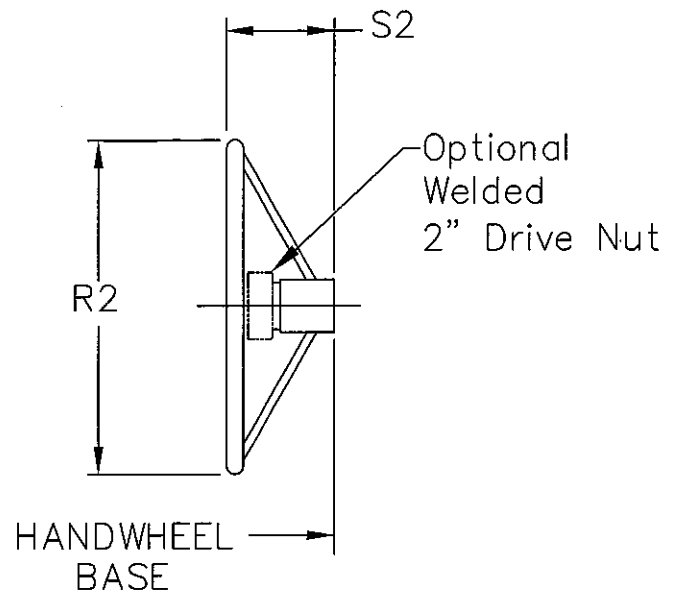
REV 2





## ALUMINUM HANDWHEELS

R2	S1	S2
5.0	3.3	1.4
5.5	4.1	1.6
6.5	4.1	1.6
8.0	4.3	1.8
10.0	4.4	2.0
12.5	5.9	2.2
16.0	6.2	2.5
20.0	6.5	2.8
25.0	6.7	2.9
31.5	7.3	3.5

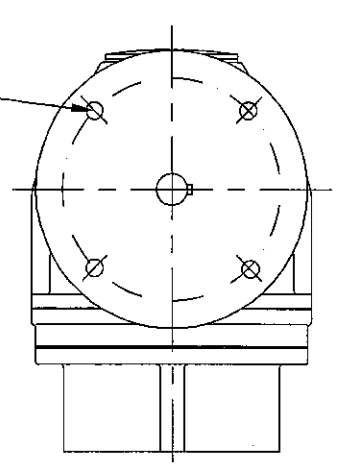
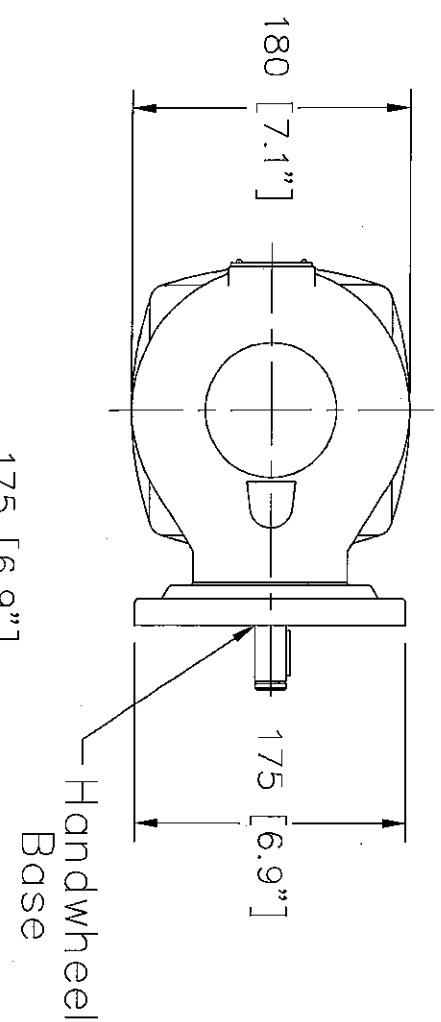


## STEEL HANDWHEELS

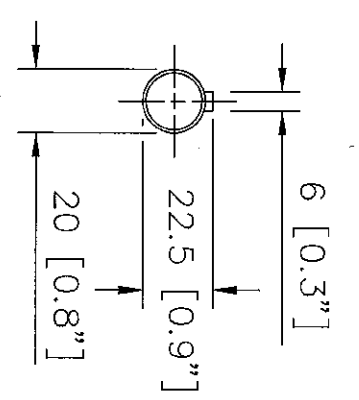
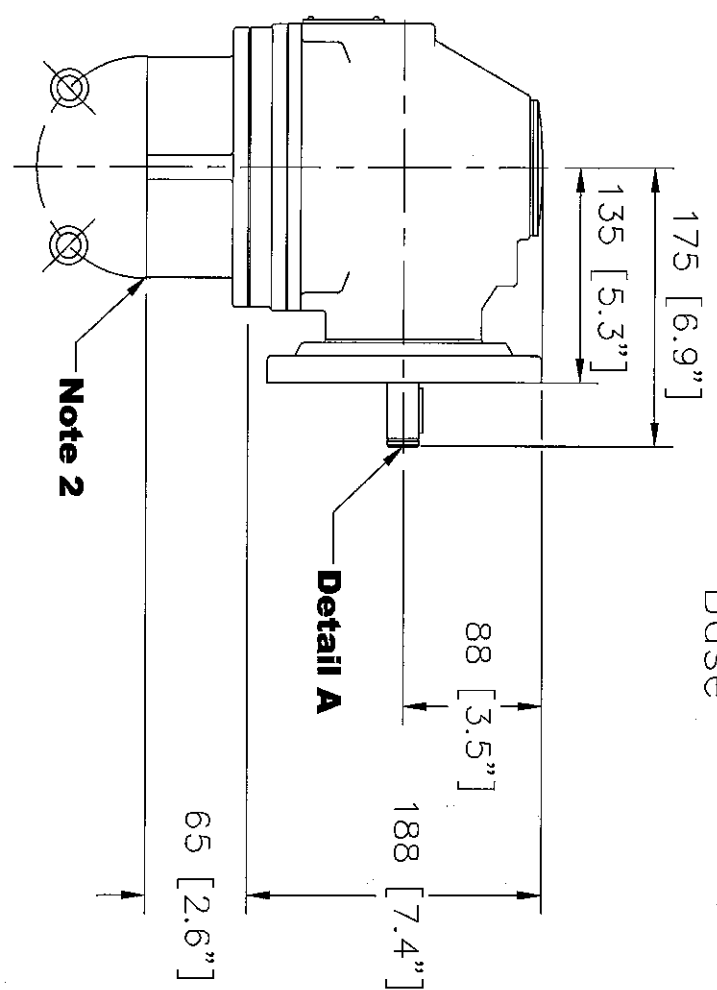
R2	S2
12.0	5.63
14.0	5.50
16.0	6.12
18.0	6.63
20.0	7.25
24.0	8.75
30.0	10.38
36.0	10.00

## AUMA HANDWHEELS

- Notes:**
1. Metric tolerance per ISO 2768-m. Dimensions in brackets [ ] are in inches and rounded to one decimal place.
  2. See appropriate mounting flange for detail.



(4) Holes [18] 0.70" Dia.  
Equispaced as shown on  
a [140] 5.5" B.C. Dia.



**auma**  
AUMA ACTUATORS INC.

A - Drive  
GK 14.2 - F(A)14  
Position A

No actuator  
No motor  
F(A) 14 Mtg. Flange/No HW

No controls  
Gearbox only

FIRST ISSUE  
DESCRIPTION

TL 12/19/13	94 12/10/13	0
BY / DATE	APP / DATE	REV
DDS102CA0001J0000		